



**De'Longhi America, Inc.**

Park 80 West, Plaza One  
Saddle Brook, NJ 07663  
1-800-322-3848

**De'Longhi Canada, Inc.**

6150 McLaughlin Road  
Mississauga, Ontario  
L5R 4E1 Canada  
1-888-335-6644

**Fiducia Italiana S.A. de C.V.**

Pestalozzi #814  
Col. Narvarte  
Del. Benito Juarez  
C.P. 03100  
MÉXICO  
tels: 5543 1447  
lada sin costo: 01 800 711 8805

**[www.delonghi.com](http://www.delonghi.com)**

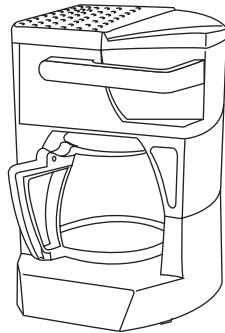


**IMPORTANT INSTRUCTIONS  
SAVE THESE INSTRUCTIONS**

**MODE D'EMPLOI IMPORTANT  
CONSERVEZ LES PRESENTES INSTRUCTIONS**

**INSTRUCCIONES IMPORTANTES  
REPASE Y GUARDE ESTAS INSTRUCCIONES  
LEA CUIDADOSAMENTE ESTE INSTRUCTIVO ANTES DE UTILIZAR EL APARATO**

**ISTRUZIONI IMPORTANTI  
CONSERVARE LE ISTRUZIONI**



**COFFEE MAKER TYPE DCF112/DCF112T/DCF212T/DCF210TTC  
CAFETERIE MODÈLE DCF112/DCF112T/DCF212T/DCF210TTC  
CAFETERA ELECTRICA MODELO DCF112/DCF112T/DCF212T/DCF210TTC  
MACCHINA DA CAFFÈ DCF112/DCF112T/DCF212T/DCF210TTC**

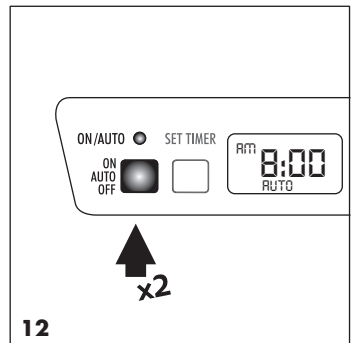
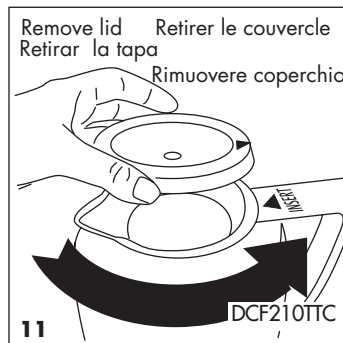
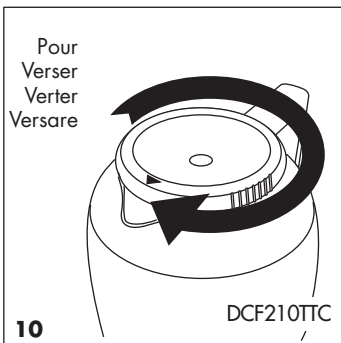
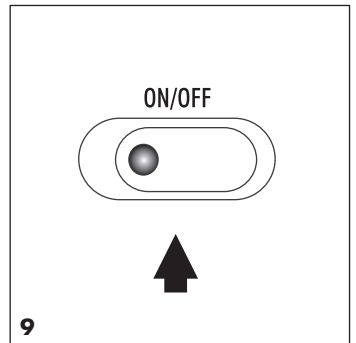
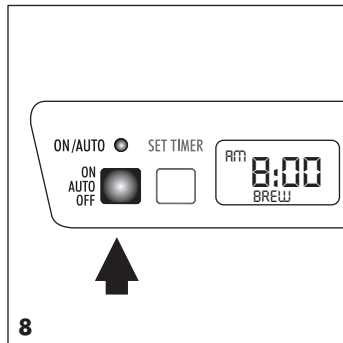
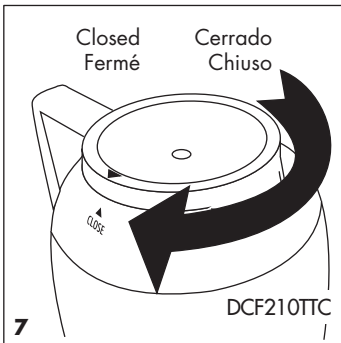
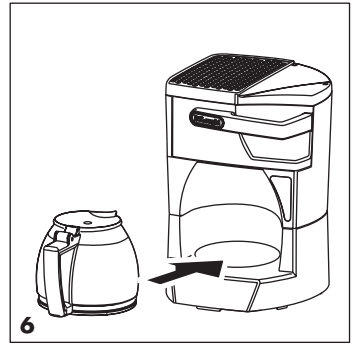
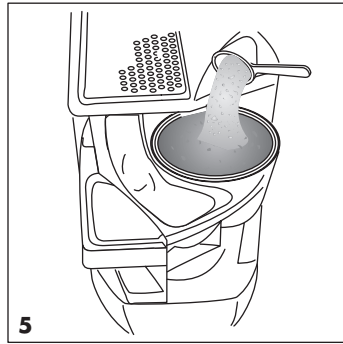
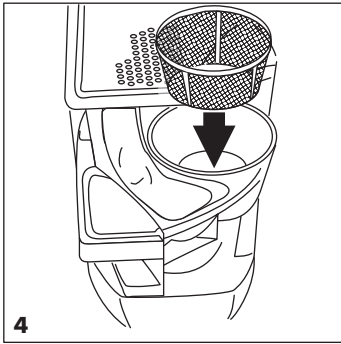
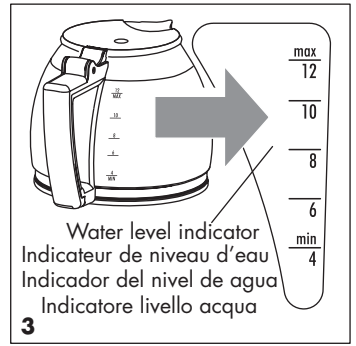
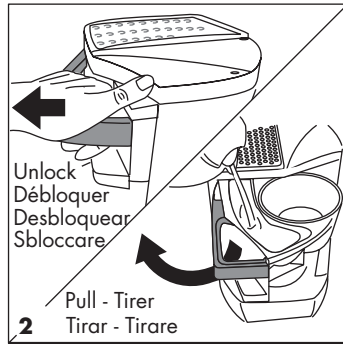
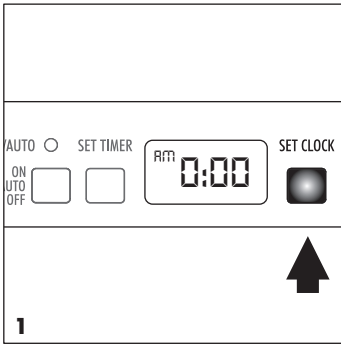
Register this product on-line and receive a free trial issue of Cook's Illustrated. Visit [www.delonghiregistration.com](http://www.delonghiregistration.com).  
Visit [www.delonghi.com](http://www.delonghi.com) for a list of service centers near you. (U.S. and Canada only)

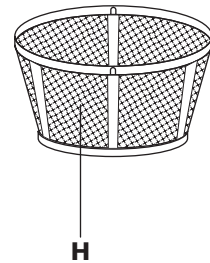
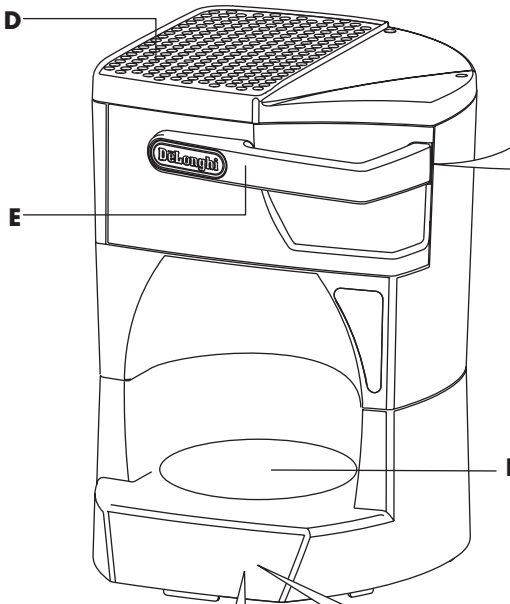
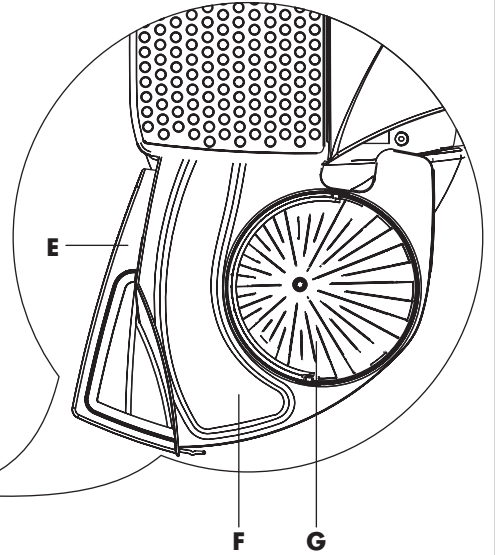
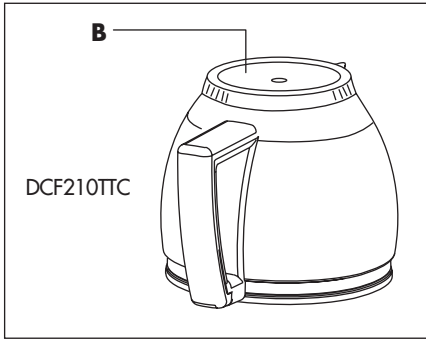
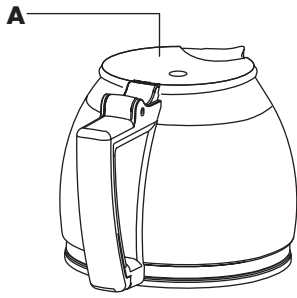
Enregistrez ce produit en ligne et recevez un numéro gratuit de Cook's Illustrated. Visitez [www.delonghiregistration.com](http://www.delonghiregistration.com).  
Visitez [www.delonghi.com](http://www.delonghi.com) pour y voir une liste des centres de réparation proches de chez vous. (É.-U. et Canada).

Registre este producto en línea y reciba un ejemplar gratis de Cook's Illustrated. Visite [www.delonghiregistration.com](http://www.delonghiregistration.com).  
Visite [www.delonghi.com](http://www.delonghi.com) para ver la lista de centros de servicios cercanos a usted. (Estados Unidos y Canada)

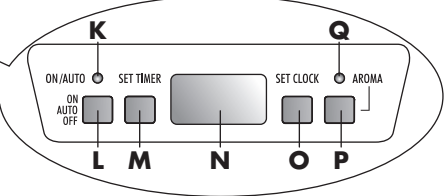
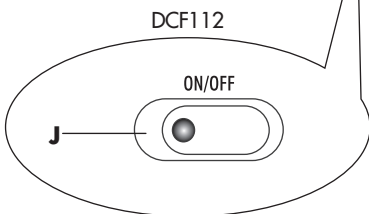
Registra questo prodotto "on-line" per ricevere una copia omaggio della rivista "Cook's Illustrated". Visita [www.delonghiregistration.com](http://www.delonghiregistration.com).  
Visita [www.delonghi.com](http://www.delonghi.com) per una lista dei centri di servizio a te più vicini. (Stati Uniti e Canada)

**ELECTRONIC CHARACTERISTICS: CARACTÉRISTIQUES ÉLECTRIQUES: CARACTERISTICAS ELECTRICAS:  
CARATTERISTICHE ELETTRICHE: 120V~60HZ 900W**





DCF112T • DCF212T • DCF210TTC



# IMPORTANT SAFEGUARDS

When using any electrical appliance, some basic safety precautions should be observed. Specifically:

- Read all instructions carefully.
- Make sure the voltage of your electrical system corresponds to the voltage shown on the bottom of the machine.
- Do not touch hot surfaces. Use handles or knobs.
- To protect against fire, electrical shock and personal injury, do not immerse cord, plug, or appliance in water or other liquid.
- Keep the appliance out of the reach of children and do not leave appliance unattended while in operation.
- Disconnect the plug from the power outlet when the machine is not in use and before cleaning.
- Do not operate the machine with a damaged cord or plug, after faulty operation, or when it has been damaged in any way. Contact the nearest De'Longhi service facility for examination, repair or adjustment.
- The use of accessories not recommended by the manufacturer may result in fire, electrical shock, or personal injury.
- Do not use the machine outdoors.
- Make sure the power cord does not hang over the edge of the table or counter-top to avoid getting accidentally caught or entangled.
- Do not place the machine or its electrical parts on or near electric stoves, cooking surfaces, or gas burners.
- To disconnect the appliance, turn appliance "OFF", then remove plug from wall outlet.
- Do not use this machine for any purpose other than its intended use. This appliance is for household use only. The manufacturer declines all responsibility for any damage caused by improper, incorrect, or irresponsible use.
- For machines with glass carafe:
  - A. The carafe is an accessory to be used exclusively with this appliance. Never use it on a cooking surface.
  - B. Do not set the hot container on a damp or cold surface.
  - C. Do not use the carafe if it is cracked or the handle is not completely sturdy.
  - D. Do not use abrasive detergents or sponges to clean.

**WARNING: To prevent the risk of fire or electric shock, never remove the upper part of the appliance. There are no elements inside that the user needs to access. Any necessary repairs must be made by an authorized service center.**

## SAVE THESE INSTRUCTIONS

THIS APPLIANCE IS FOR HOUSEHOLD USE ONLY

# SHORT CORD INSTRUCTIONS

A short power cord is provided to reduce the risk resulting from entanglement or tripping over a longer cord. Longer detachable power supply cords are available and may be used if care is exercised in their use. If a longer detachable power cord or extension cord is used (1) the marked electrical rating of the extension cord should be at least as great as the electrical rating of the appliance, and (2) the longer cord should be arranged so that it will not drape over the countertop or table top where it can be pulled on by children or tripped over unintentionally. The electrical rating of the appliance is listed on the bottom of the unit. If the appliance is of the grounded type, the extension cord should be a grounded type 3 wire cord. This appliance has a polarized plug. One blade is wider than the other. To reduce the risk of electrical shock this plug will fit in a polarized plug only one way. If the plug does not fit, contact a qualified electrician. Do not attempt to modify the plug in any way.

## DESCRIPTION

(see illustration on page 3)

The terminology below will be used throughout the instructions.

- A. Glass carafe (mod. DCF112 / DCF112T / DCF212T)
- B. Thermal carafe (mod. DCF210TTC)
- C. Measuring spoon
- D. Cup storage tray
- E. Opening handle
- F. Water compartment
- G. Filter holder for drip coffee
- H. Permanent filter (available in select models only)
- I. Non-stick plate (warming plate, for glass carafe only)
- J. ON/OFF switch with indicator light
- K. ON/AUTO indicator light
- L. ON/AUTO/OFF button
- M. SET TIMER button
- N. Display
- O. SET CLOCK button
- P. AROMA button
- Q. AROMA indicator light

## SAFETY PRECAUTIONS

- This appliance is designed to make coffee: be careful not to burn yourself with sprays of hot water or steam, or by using the machine improperly.
- This appliance is designed for household use only. Any other use is considered improper and therefore dangerous.
- The manufacturer may not be held liable for any damage caused by improper, incorrect, or unreasonable use.
- When using the appliance, do not touch the hot surfaces. Use knobs or handles.
- Never touch the appliance with wet or damp hands or feet.
- Do not allow children or unfit persons to use the appliance unsupervised.
- Never allow children to play with the appliance.
- In the event of failure or malfunction, switch off the appliance and do not tamper with it in any way. If the appliance requires repair, contact an authorized De'Longhi service center and ask for original spare parts to be used. Failure to observe these safety precautions could jeopardize the safety of the appliance.

## INSTALLATION

- After removing the packaging, make sure the product is complete and in perfect condition. If in doubt, do not use the appliance and contact qualified De'Longhi personnel only.
- The packing elements (plastic bags, Styrofoam, etc.) should be kept out of the reach of children, as they are safety hazards.
- Place the appliance on a firm level surface far from water faucets, sinks, and heat sources.
- When positioning the appliance on the counter, make sure to leave a space of at least 2 in. (5 cm) between the appliance and the walls or objects beside and behind it, and at least 8 in. (20 cm) above it.
- Never install the appliance in a room where the temperature may reach 32°F (0°C) or lower (the appliance may be damaged if the water freezes).
- Check that the voltage of the electrical mains corresponds to the voltage shown on the appliance rating plate.  
Connect the appliance only to an efficiently grounded outlet with a minimum rating of 10A only. The manufacturer may not be considered liable for possible incidents caused by failure to adequately ground the outlet.
- If the power socket does not match the plug on the appliance, have the socket replaced with a suitable type by a qualified electrician.
- The power cord on this appliance must not be replaced by the user, as this operation requires the use of special tools. If the cable is damaged or needs to be replaced, contact an authorized De'Longhi service center only in order to avoid all risks.

## SETTING THE CLOCK

Plug the appliance in; when the coffee machine is connected to the outlet for the first time, "AM 0:00" appears on the display. To set the time, press the SET CLOCK button (fig. 1) and keep it pressed until the correct hour is displayed: then release the button. The time can be set at any moment.

## HOW TO MAKE DRIP COFFEE

**IMPORTANT:** When using the appliance for the first time, all the accessories and the internal circuits must be washed making at least two carafes using only water, without any ground coffee.

- Open the frontal door by pulling the handle and, by using the provided carafe, pour fresh water into the water compartment up to the level corresponding to the number of cups you want to make (fig. 2): check the water level viewer and it is suggested to use the provided carafe as the measure, as the maximum volume of the carafe corresponds to those of the water tank (fig. 3).
- Position the permanent filter (if provided) or paper filter in the filter holder (fig. 4).
- Place the ground coffee in the filter using the measuring spoon supplied and level evenly (fig. 5). Please refer to chart 1 for the recommended quantities.  
Use good quality medium grind coffee for drip coffee machines.

**Chart 1: Recommended Quantities**

N° CUPS	N° MEASURING SPOONS*
12	12
10	10
8	8
6	6
4	4

\* 1 level measuring spoon = a tablespoon (0.17 oz. /5 gr.).

Use more or less coffee to suit your taste.

The **Specialty Coffee Association of America** recommends adding 2 tablespoons of coffee per 6 ounces of water. So, if you want to follow this standard, please refer to chart 2. Please note that coffee brewed following SCAA's recommendation is exceptionally strong.

**Chart 2: Quantities Recommended by the Specialty Coffee Association of America**

N° CUPS	N° MEASURING SPOONS*
12	-
10	15
8	13
6	10
4	8

\*1 level measuring spoon = a tablespoon (0.17 oz. /5 gr.).

The quantities given in the tables are indicative only and must be adjusted according to personal taste and the quality of the coffee. **To avoid coffee overflow, never exceed the maximum quantity of 15 measuring spoons.**

The quality of coffee you use can affect the taste of your coffee. We suggest trying different brands of coffee to find the one most suitable to your taste.

- **Models with glass carafe:** close the frontal door and place the closed glass carafe on the non stick warming plate (fig. 6).

**Models with thermal carafe:** Before placing the carafe on the plate, make sure the lid is closed (fig. 7).

- **Models with electronic control panel:** you can enhance the flavor of your coffee by pressing the AROMA button. This feature activates a unique brewing process, slowly releasing water into the filter basket; saturating coffee grounds a little at a time extracting the best flavor and aroma from your coffee. To activate, press the AROMA button; the light above the button will illuminate. Press the button again to turn the selection off. *It is recommended to use the aroma button if not brewing a whole carafe of coffee.*

Press the ON/AUTO/OFF button (fig. 8). The red light indicates that the coffee maker is in operation and the display shows "BREW".

- **Models with single switch:** Press the "ON/OFF" switch (fig. 9). The indicator light on the switch indicates that the coffee maker is in operation.

- The coffee will begin to emerge after a few seconds. **It is completely normal for the appliance to release a little steam while the coffee is brewing.**
- **In models with glass carafe,** if you leave the appliance switched on after brewing is finished, the non-stick warming plate will keep the coffee at the ideal temperature. The unit automatically shuts off after two hours.
- **Models with thermal carafe:** To pour the coffee, turn the lid to the position shown in (fig. 10). To completely remove the lid from the carafe, turn it to the position shown in (fig. 11). The appliance switches automatically off after brewing cycle.

**Important: Removing the carafe before the machine has finished producing the coffee does not interrupt the brewing process, but simply stops the flow of coffee into the carafe. If you want to pour out a little coffee before brewing is completed, do so as quickly as possible to avoid coffee overflow.**

## PROGRAMMING THE AUTOMATIC START (models with electronic control panel only)

Make sure that the time is set correctly.

To program the time to start coffee preparation:

- Press the SET TIMER button and keep it depressed until you reach the desired switch-on time.
- Then release the SET TIMER button. The time will flash for a few seconds until set; then the display will show the current hour.

## ACTIVATING THE TIMER

After you have:

- set the time for switch-on as described in the previous section;
- prepare the machine for making coffee. Press the ON/AUTO/OFF button quickly twice (fig. 12). The ON/AUTO indicator light changes to green indicating the coffee maker is in operation: the display shows AUTO.

## CLEANING AND MAINTENANCE

Before carrying out any cleaning operations, switch the appliance off, unplug it from the power outlet, and let it cool down.

1. Do not use solvents or abrasive detergents to clean the appliance. A soft damp cloth is sufficient.
2. Never immerse the coffee maker in water: it is an electrical appliance.



## DESCALING

If the water in your area is hard, lime scale deposits may build up over time. These deposits may affect the correct operation of the appliance.

It is suggested to descale the appliance after 300 uses.

Descalate the appliance using commercially available descaling products for drip coffee makers. Follow the instructions provided with these products.

1. Dilute the descaler in the carafe, following the directions on the packaging of the descaler.
2. Pour the descaling solution in the water compartment;
3. Put the carafe on the non stick plate;
4. Switch the appliance on and let the equivalent of one cup run through, then switch off the machine.
5. Let the solution work for 15 minutes, then repeat steps 4 and 5.

6. Switch the coffee maker back on and run the solution through until the tank is completely emptied.
7. Rinse by operating the machine with water only for at least three cycles (3 full tanks of water).

The warranty is not valid if the cleaning operation described above is not carried out regularly.

## TROUBLE-SHOOTING

Problem	Probable cause	Solution
The coffee takes longer to brew.	The coffee maker needs to be descaled.	Descalate the machine as described in the section DESCALING.
The coffee has an acidic taste.	Insufficient rinsing after descaling.	Rinse the machine as described in the section DESCALING.



This warranty applies to all products with De'Longhi or Kenwood brand names.

## Limited Warranty

### What does the warranty cover?

We warrant each appliance to be free from defects in material and workmanship. Our obligation under this warranty is limited to repair at our factory or authorized service center of any defective parts or part thereof, other than parts damaged in transit. In the event of a products replacement or return, the unit must be returned transportation prepaid. The repaired or new model will be returned at the company expense. This warranty shall apply only if the appliance is used in accordance with the factory directions, which accompany it, and on an Alternating current ( AC ) circuit.

### How long does the coverage last?

This warranty runs for one year ( 1 ) from the purchase date found on your receipt and applies only to the original purchaser for use.

### What is not covered by the warranty?

The warranty does not cover defects or damage of the appliance, which result from repairs or alterations to the appliance outside our factory or authorized service centers, nor shall it apply to any appliance, which has been subject to abuse, misuse, negligence or accidents. Also, consequential and incidental damage resulting from the use of this product or arising out of any breach of contract or breach of this warranty are not recoverable under this warranty. Some states do not allow the exclusion or limitation of incidental or consequential damage, so the above limitation may not apply to you.

### How do you get service?

If repairs become necessary, see contact information below:

#### U.S. Residents:

Please contact our toll free hotline at 1-800-322-3848 or log onto our website at [www.delonghi.com](http://www.delonghi.com). For all accessories, spare parts or replacement parts, please contact our parts division at 1-800-865-6330.

**Residents of Canada:** Please contact our toll free hotline at 1-888-335-6644 or log onto our website at [www.delonghi.com](http://www.delonghi.com).

**Residents of Mexico:** Please refer to the Limited Warranty statement for Mexico. Please refer to the back page of the manual for De'Longhi addresses.

The above warranty is in lieu of all other express warranties and representations. All implied warranties are limited to the applicable warranty period set forth above. This limitation does not apply if you enter into an extended warranty with De'Longhi. Some states do not allow limitations on how long an implied warranty lasts, so the above exclusions may not apply to you. De'Longhi does not authorize any other person or company to assume for it any liability in connection with the sale or use of its appliance.

### How does state law apply?

This warranty gives you specific legal rights, and you may also have other rights, which vary from state to state.

# AVVERTENZE IMPORTANTI

L'uso di qualsiasi apparecchio elettrico comporta l'osservanza di alcune regole fondamentali. In particolare:

- Leggere attentamente le istruzioni
- Assicurarsi che il voltaggio del vostro impianto elettrico corrisponda a quello indicato sul fondo della macchina.
- Non toccare le superfici calde, usare le apposite impugnature.
- Per proteggersi da eventuali rischi elettrici, non immergere il cavo, la base contenente la spina o il bollitore in acqua o in altro liquido.
- Non lasciare l'apparecchio alla portata dei bambini, né lasciatelo in funzione senza sorveglianza.
- Rimuovere la spina dalla presa elettrica quando l'apparecchio non è in uso e prima di effettuare la pulizia.
- Non mettere in funzione l'apparecchio con il cavo o la spina danneggiati, dopo un funzionamento anomalo dell'apparecchio o quando l'apparecchio sia stato danneggiato in qualche modo. Rivolgersi al centro assistenza più vicino per problemi e riparazioni.
- L'uso di accessori non indicati dal produttore potrebbe essere causa di incendio, scosse elettriche o ferite.
- Non utilizzare l'apparecchio all'aperto.
- Non lasciare che il cavo di alimentazione sporga dal tavolo o dalla superficie di lavoro per evitare di impigliarvi o di inciamparvi accidentalmente.
- Non avvicinare l'apparecchio e le parti elettriche a fornelli elettrici, piani di cottura o fornelli a gas.
- Attaccare la spina alla presa. Per toglierla, spegnere l'apparecchio e staccare la spina.
- Non utilizzare l'apparecchio per usi diversi da quelli indicati. L'apparecchio deve essere utilizzato solo per uso domestico. Il costruttore declina qualsiasi responsabilità per eventuali danni derivanti da uso improprio, non corretto o irresponsabile.
- Apparecchi con caraffa in vetro:
  - A. La caraffa è un accessorio da utilizzare esclusivamente con quest'apparecchio. Non utilizzarla mai su un piano di cottura.
  - B. Non appoggiare il contenitore caldo su una superficie umida o fredda.
  - C. Non utilizzare la caraffa se dovesse avere delle crepature o con la maniglia indebolita.
  - D. Non pulire con detergenti o spugne abrasive.

**ATTENZIONE:** per evitare il pericolo di incendi o scosse, non rimuovere la parte superiore dell'apparecchio. All'interno non vi è alcun elemento utilizzabile dall'utente. Eventuali riparazioni devono essere effettuate da Centri Assistenza Autorizzati.

## CONSERVARE QUESTE ISTRUZIONI

QUESTO APPARECCHIO È DESTINATO SOLO ALL'USO DOMESTICO

# CAVO DI ALIMENTAZIONE CORTO

(solo per Stati Uniti)

- L'apparecchio è dotato di un cavo di alimentazione corto per ridurre le possibilità di attorcigliamento del cavo ed evitare di inciampare su cavi troppo lunghi.
- È possibile utilizzare cavi removibili o cavi di prolunga più lunghi prestando però molta attenzione durante il loro utilizzo.
- Nel caso si utilizzi un cavo più lungo, le specifiche elettriche devono corrispondere a quelle indicate sulle specifiche elettriche dell'apparecchio. Se l'apparecchio ha la messa a terra, il cavo dovrà essere a tre fili con terra. La parte del cavo che eccede il fabbisogno, deve essere sistemata in modo da non uscire dal tavolo o dal piano di lavoro dove potrebbe essere tirata da bambini o sulla quale si potrebbe inciampare.
- Il vostro apparecchio è provvisto di una spina polarizzata a corrente alternata (ovvero una spina avente una lamina più larga delle altre). Questa spina si inserisce solo in un verso alla presa: si tratta di un dispositivo di sicurezza.

Se non riuscite ad infilare la spina nella presa, provate a girarla. Se ancora non riuscite ad infilarla, contattate il vostro elettricista di fiducia per sostituire la presa.

## DESCRIZIONE DELL'APPARECCHIO

(vedi figura a pag. 3)

La seguente terminologia sarà continuamente usata nelle pagine successive.

- A. Caraffa in vetro (mod. DCF112 / DCF112T / DCF212T)
- B. Caraffa termica (mod. DCF210TTC)
- C. Misurino
- D. Ripiano poggiatezze
- E. Maniglia apertura
- F. Vano riempimento acqua
- G. Portafiltro per drip coffee
- H. Filtro permanente (solo in alcuni modelli)
- I. Piastra (riscaldante, nei modelli con caraffa in vetro)
- J. Tasto ON/OFF con spia accensione
- K. Spia ON/AUTO
- L. Tasto ON/AUTO/OFF
- M. Tasto SET TIMER
- N. Display
- O. Tasto SET CLOCK
- P. Tasto AROMA
- Q. Spia AROMA

## AVVERTENZA DI SICUREZZA

- Questo apparecchio è costruito per "fare il caffè": Fare attenzione a non scottarsi con getti d'acqua o di vapore o con un uso improprio dell'apparecchio.
- Quest'apparecchio deve essere impiegato solo per uso domestico. Ogni altro uso è da considerarsi improprio e quindi pericoloso.
- Il costruttore non può essere considerato responsabile per eventuali danni derivanti da usi impropri, erronei ed irragionevoli.
- Durante l'uso non toccare le superfici calde dell'apparecchio. Utilizzare le manopole o i manici.
- Non toccare l'apparecchio con mani o piedi bagnati o umidi.
- Senza opportuna sorveglianza, l'uso di questo apparecchio non deve essere consentito a bambini o persone incapaci.
- Non lasciare che i bambini giochino con l'apparecchio.
- In caso di guasto o di cattivo funzionamento dell'apparecchio, spegnerlo staccando la spina del cavo di alimentazione. Per eventuali riparazioni, rivolgersi solamente ad un Centro d'Assistenza Tecnica autorizzato dal costruttore e richiedere l'utilizzo di ricambi originali. Il mancato rispetto di quanto sopra può compromettere la sicurezza dell'apparecchio.

## INSTALLAZIONE

- Dopo aver tolto l'imballaggio, assicurarsi dell'integrità dell'apparecchio. In caso di dubbio, non utilizzare l'apparecchio e rivolgersi a personale professionalmente qualificato.
- Gli elementi dell'imballaggio (sacchetti di plastica, polistirolo espanso, ecc.) non devono essere lasciati alla portata dei bambini in quanto potenziali fonti di pericolo.
- Posizionare l'apparecchio sopra un piano di lavoro lontano da rubinetti dell'acqua, lavelli e fonti di calore.
- Dopo aver posizionato l'apparecchio sul piano di lavoro, verificare che rimanga uno spazio di circa 5 cm tra le superfici dell'apparecchio e le parti laterali e la parte posteriore, ed uno spazio libero di almeno 20 cm sopra la macchina da caffè.
- Non installare mai l'apparecchio in un ambiente che può raggiungere una temperatura inferiore o uguale a 0°C (se l'acqua si ghiaccia, l'apparecchio può danneggiarsi).
- Verificare che la tensione della rete elettrica corrisponda a quella indicata nella targa dati dell'apparecchio. Collegare l'apparecchio solo ad una presa di corrente avente una portata minima di 10A e dotata d'efficiente messa a terra. Il costruttore non può essere considerato responsabile per eventuali incidenti causati dalla mancanza di messa a terra dell'impianto.
- In caso di incompatibilità tra la presa e la spina dell'apparecchio, fare sostituire la presa con un'altra di tipo adatto, da personale qualificato.
- Il cavo d'alimentazione di questo apparecchio non deve essere mai sostituito dall'utente in quanto la sostituzione richiede l'impiego d'utensili speciali. In caso di danneggiamento del cavo, o per la sua sostituzione, rivolgersi esclusivamente ad un Centro d'Assistenza autorizzato dal costruttore in modo da prevenire ogni rischio.

## PROGRAMMARE L'OROLOGIO

Inserire la spina nella presa; alla prima accensione sul display appare la scritta " AM 0:00". Per impostare l'ora esatta, premere e mantenere premuto il tasto "SET CLOCK" (fig. 1) fino al raggiungimento dell'ora corrente; quindi rilasciare il tasto. L'ora può essere impostata in qualsiasi momento.

## COME PREPARARE IL CAFFÈ FILTRO

**ATTENZIONE:** la prima volta che si prepara il caffè, è necessario lavare tutti gli accessori e risciacquare i circuiti interni della macchina facendo almeno due caraffe di caffè senza utilizzare il caffè macinato.

- Aprire lo sportello frontale tirando la maniglia e, utilizzando la caraffa, versare nel vano di riempimento acqua fresca e pulita fino all'indicazione di livello relativa alle tazze di caffè che si vuole preparare (fig. 2): controllare il livello d'acqua nel serbatoio sulla finestra di livello e comunque si consiglia di utilizzare la caraffa in dotazione come dosatore, in quanto la capienza massima della caraffa corrisponde a quella del serbatoio (fig. 3).
- Posizionare il filtro permanente (se previsto) nel portafiltro (fig. 4) e per le versioni che ne sono sprovviste, utilizzare il filtro di carta.
- Mettere il caffè macinato nel filtro utilizzando il misurino in dotazione e livellarlo uniformemente (fig. 5). Fate riferimento alla **tabella 1** per le quantità consigliate.  
Utilizzare caffè macinato di buona qualità, di macinatura media e confezionato per macchine da caffè filtro.

**Tab. 1: Quantità consigliate**

N° TAZZE	N° MISURINI *
12	12
10	10
8	8
6	6
4	4

\*1 misurino raso = 1 cucchiaino da tavola (0.17oz./5 gr.)

Aumentare o diminuire la quantità di caffè a seconda dei gusti personali.

La "Specialty Coffee Association of America" consiglia di utilizzare la quantità di due cucchiaini di caffè ogni 6 oz. di acqua. Se desiderate fare il caffè secondo queste indicazioni, fate riferimento alla **tabella 2**.

Tenete presente che, seguendo questo standard, si ottiene caffè molto forte.

**Tab. 2: Quantità consigliate da "Specialty Coffee Association of America"**

N° TAZZE	N° MISURINI *
12	-
10	15
8	13
6	10
4	8

\*1 misurino raso =1 cucchiaino da tavola (0.17 oz./5 gr.)

Le quantità indicate in tabella sono indicative e vanno adeguate al gusto personale e al tipo di caffè: **mai superare il livello massimo di 15 misurini per evitare fastidiose tracicimazioni.**

Il tipo di caffè incide molto sul caffè che si ottiene: è consigliabile quindi provare diversi tipi di miscele per identificare quella che più si adatta al Vostro gusto.

- **Modelli con caraffa in vetro:** chiudere lo sportello frontale e collocare la caraffa chiusa sulla piastra (fig. 6).

**Modelli con caraffa termica:** prima di collocare la caraffa sulla piastra, assicurarsi che il coperchio sia chiuso (fig. 7)

- **Modelli con comandi elettrici:** Il gusto del caffè può essere ottimizzato premendo il tasto AROMA. Questa funzione attiva un processo di infusione che rilascia l'acqua nel filtro più lentamente; filtrando un po' per volta, il caffè acquista un miglior sapore ed aroma. Per attivare la funzione, premere il pulsante AROMA: si accende la spia sul pulsante stesso. Per disattivare la funzione, ripremere il pulsante. *L'utilizzo del tasto AROMA è consigliato nel caso in cui non si debba preparare l'intera caraffa di caffè.*

Premere l'interruttore "ON/AUTO/OFF" (fig. 8). La lampada spia rossa indica che la caffettiera filtro è in funzione e compare la scritta "BREW" sul display:

- **Modelli con interruttore singolo:** Premere l'interruttore "ON/OFF" (fig. 9). La lampada spia sull'interruttore stesso indica che la caffettiera

filtro è in funzione.

- Il caffè inizierà a fuoriuscire dopo pochi secondi. **È del tutto normale che durante la percolazione del caffè, l'apparecchio emetta un po' di vapore.**
- **Nei modelli con caraffa in vetro,** se si lascia premuto l'interruttore "ON/OFF" dopo la percolazione, la piastra riscaldante mantiene il caffè caldo alla temperatura ideale. L'apparecchio si spegne automaticamente dopo 2 ore.
- **Modelli con caraffa termica:** per versare il caffè, ruotare il coperchio fino alla posizione indicata in fig. 10.

Per rimuovere completamente il coperchio dalla caraffa, ruotare il coperchio fino alla posizione indicata in fig. 11.

Una volta terminata l'infusione, l'apparecchio si spegne automaticamente.

**Attenzione: togliendo la caraffa prima che la macchina abbia terminato la produzione di caffè richiesto, non si va ad interrompere la produzione di caffè, ma si blocca solo il suo flusso nella caraffa stessa; nel caso si volesse versare subito un po' di caffè, si consiglia di compiere tale operazione nel più breve tempo possibile, per evitare fastidiose tracicimazioni.**

## PROGRAMMARE L'ACCENSIONE (AUTO) (solo modelli con comandi elettronici)

Verificare che l'ora impostata sia esatta.

Per programmare l'ora di preparazione del caffè:

- Premere il tasto SET TIMER e mantenerlo premuto fino a raggiungere l'ora di accensione desiderata.
- Rilasciare quindi il tasto SET TIMER: l'ora lampeggia alcuni istanti fino a memorizzare quanto programmato: sul display compare l'ora corrente.

## ATTIVARE LA FUNZIONE TIMER

Dopo aver:

- impostato l'ora di accensione e spegnimento come illustrato nel paragrafo precedente;
- allestire l'apparecchio per fare caffè. Premere velocemente due volte il pulsante ON/OFF/AUTO (fig. 12). La spia K diventa verde e indica che l'apparecchio è in funzione: sul display compare la scritta AUTO.

## PULIZIA E MANUTENZIONE

Prima di effettuare qualsiasi operazione di pulizia o manutenzione, spegnere la macchina, disinserire la spina dalla presa di corrente e lasciar raffreddare la macchina.

1. Per la pulizia della macchina non usare solventi o detergenti abrasivi. Sarà sufficiente un panno umido e morbido.
2. Non immergere mai la macchina nell'acqua: è un apparecchio elettrico.

## DECALCIFICAZIONE (solo in alcuni modelli)

Se l'acqua nella vostra zona è dura, il calcare si accumulerà col passare del tempo. I suoi depositi possono compromettere il buon funzionamento dell'apparecchio.

E' consigliabile procedere alla decalcificazione ogni 300 cicli di funzionamento.

Procedere alla decalcificazione utilizzando gli appositi decalcificanti per macchine da caffè filtro che si trovano in commercio.

1. Diluire nella caraffa il prodotto seguendo le indicazioni sulla confezione del decalcificante stesso;

2. Versare la soluzione nel vano riempimento acqua;
3. Disporre la caraffa sulla piastra riscaldante;
4. Premere l'interruttore acceso/spento caffè filtro, far percolare l'equivalente di una tazza e poi spegnere l'apparecchio;
5. Lasciare agire la soluzione per 15 minuti. ripetere l'operazione 4 e 5 un'altra volta.
6. Accendere la macchina e far erogare finché il serbatoio si svuota completamente.
7. Risciacquare facendo funzionare l'apparecchio con solo acqua per almeno 3 volte (3 serbatoi d'acqua completi).

La garanzia non è valida se la pulizia sopra descritta non è regolarmente eseguita.

## PROBLEMI DI FUNZIONAMENTO

Problema	Cause Probabili	Soluzione
I tempi di percolazione del caffè filtro si sono allungati	La caffettiera filtro deve essere decalcificata	Eseguire la decalcificazione come descritto nel paragrafo "decalcificazione"
Il caffè ha un sapore acido	Il risciacquo non è stato sufficiente	Risciacquare l'apparecchio come descritto nel capitolo "decalcificazione"



**Questa garanzia e' applicabile a tutti i piccoli elettrodomestici a marchio Kenwood o De'Longhi.**

### **Garanzia limitata**

#### **Copertura della garanzia**

De'Longhi garantisce che ciascun prodotto è esente da difetti di materiale e di fabbricazione. La presente garanzia è limitata alla riparazione delle parti difettose o delle loro componenti presso la nostra fabbrica o presso un centro di assistenza autorizzato, ad eccezione delle parti danneggiate durante la spedizione. Nel caso di sostituzione o restituzione di un prodotto, l'unità deve essere restituita con trasporto prepagato. Il modello riparato o nuovo verrà restituito a spese dell'azienda.

La presente garanzia ha validità solamente nel caso in cui il prodotto venga utilizzato in conformità con le istruzioni di fabbrica con cui viene venduto, e su un circuito a corrente alternata ( c.a.).

#### **Durata della garanzia**

La presente garanzia ha validità di un anno ( 1 ) dalla data di acquisto riportata sulla prova d'acquisto ed è riconosciuta esclusivamente all'acquirente originale per l'uso.

#### **Limitazioni della garanzia**

La garanzia non copre difetti o danni del prodotto dovuti a riparazioni o alterazioni eseguite al di fuori della fabbrica o dai centri di assistenza autorizzati, né si applica a prodotti danneggiati da abuso, uso improprio, negligenza o incidente. Inoltre, i danni consequenziali ed incidentali derivanti dall'uso di questo prodotto o da una qualsiasi violazione del contratto o di questa garanzia non sono coperti da quest'ultima. Alcune giurisdizioni non consentono l'esclusione o la limitazione di danni incidentali o consequenziali; in tal caso, le limitazioni o esclusioni di cui sopra non saranno applicabili

#### **Come ottenere servizi di assistenza**

Nel caso occorra fare delle riparazioni, rivolgersi al servizio informazioni:

#### **Residenti negli USA:**

Contattare il servizio di assistenza telefonica gratuito al numero **1-800-322-3848** oppure collegarsi all'indirizzo internet **www.delonghi.com**. Per tutti gli accessori, i componenti o i pezzi di ricambio, contattare il reparto componenti al numero **1-800-865-6330**.

**Residenti in Canada:** Contattare il servizio di assistenza telefonica gratuito al numero **1-888-335-6644** oppure collegarsi all'indirizzo internet **www.delonghi.com**.

**Residenti in Messico:** Riferirsi alle condizioni di garanzia limitata riportate nella sezione per il Messico.

**Residenti in altri paesi:** Vogliate visitare il nostro sito internet **www.delonghi.com**.

Per gli indirizzi di De'Longhi si prega di vedere la pagina posteriore del manuale.

La garanzia sopra riportata è esclusiva e sostituisce qualsiasi altra garanzia, espressa o implicita. Eventuali garanzie implicite previste dalle leggi vigenti saranno soggette ai limiti di durata stabiliti dalla garanzia. Il limite non si applica nel caso di un'estensione della garanzia con De'Longhi. Alcune giurisdizioni non consentono l'esclusione o la limitazione della durata delle garanzie implicite; in tal caso, le limitazioni di cui sopra non saranno applicabili. De'Longhi non autorizza alcuna persona o società ad assumersi qualsivoglia responsabilità relativamente alla vendita o all'uso dei propri prodotti.

#### **Applicazione delle leggi dei singoli stati**

La presente garanzia concede diritti legali specifici oltre a quelli eventualmente previsti dalla legislazione vigente nei vari stati.



# MISES EN GARDE IMPORTANTES

Quelques précautions sont nécessaires lors de l'utilisation d'appareils électriques. En particulier :

- Veuillez lire les directives attentivement.
- Assurez-vous que le voltage de votre système électrique corresponde à celui indiqué en dessous de l'appareil.
- Ne toucher pas aux surfaces chaudes, utiliser les poignées.
- Pour des raisons de sécurité contre les chocs électriques, ne pas immerger le câble, la base contenant la fiche ou la bouilloire dans l'eau ou tout autre liquide.
- Garder hors de la portée des enfants, et ne laisser jamais l'appareil en marche sans supervision.
- Retirer la fiche de la prise électrique lorsque l'appareil n'est pas en marche et avant de le nettoyer.
- Ne jamais mettre l'appareil en marche si le câble ou la fiche sont abîmés, après une défectuosité de l'appareil ou après que l'appareil ait été endommagé de quelque manière que ce soit. Référez-vous au centre d'assistance le plus près de chez vous pour tous problèmes et réparations.
- L'utilisation d'accessoires non indiqués par le fabricant pourrait causer un incendie, choc électrique ou une blessure.
- Ne pas utiliser l'appareil à l'extérieur.
- Ne pas laisser le cordon d'alimentation pendre de la table ou de la surface de travail pour éviter l'enchevêtrement ou des chutes accidentelles.
- Ne pas garder l'appareil et les parties électriques près de brûleurs électriques, fours chaud ou à gaz.
- Brancher la fiche à la prise. Pour la retirer, éteindre l'appareil et débrancher la fiche.
- Ne pas utiliser l'appareil pour d'autres fonctions que celles indiquées. L'appareil doit être destiné à l'usage domestique seulement. Le fabricant ne sera pas tenu responsable pour dommages causés par un mauvais usage, mauvais traitement ou négligence.
- Appareils avec carafe en verre :
  - A. La carafe est un accessoire qui doit être utilisé exclusivement avec cet appareil. Ne jamais l'utiliser sur la cuisinière.
  - B. Ne pas placer le contenant chaud sur une surface humide et froide.
  - C. Ne pas utiliser la carafe si elle est craquée ou que la poignée est cassée.
  - D. Ne pas nettoyer avec des détergents ou éponges abrasifs.

**ATTENTION : Pour éviter tout risque d'incendie ou de choc électrique, ne pas retirer la partie supérieure de l'appareil. Aucune partie interne ne doit être manipulée par l'utilisateur. Les réparations doivent être faites par un centre d'assistance autorisé!**

## CONSERVEZ CES DIRECTIVES

CET APPAREIL EST DESTINÉ À L'USAGE DOMESTIQUE SEULEMENT

# CORDON D'ALIMENTATION COURT

(seulement pour les États-Unis)

- L'appareil est doté d'un cordon d'alimentation court pour réduire les risques d'enchevêtrement et éviter les chutes causées par de longs cordons.
- Des cordons d'alimentation plus grands et détachables ou des rallonges électriques sont vendus, et peuvent être utilisés si les précautions nécessaires sont prises pendant leur utilisation.
- Si une rallonge électrique est utilisée, le calibre marqué doit être au moins du même calibre que celui de l'appareil. Si l'appareil est équipé de mise à la terre, la rallonge devrait être un cordon 3 fils de type mise à la terre. Le plus long cordon devrait être rangé de sorte qu'il ne pende pas du comptoir ou de la table où il pourrait être tiré par des enfants ou pourrait causer des chutes.
- Votre produit est équipé d'une fiche de ligne à courant alternatif polarisée (une fiche ayant une aube plus large que l'autre). Cette fiche se logera dans la prise d'alimentation d'une seule façon : Il s'agit d'une mesure de sécurité. Si vous êtes incapable d'insérer complètement la fiche dans la prise, essayez de la tourner. Si la fiche ne veut toujours pas s'enfoncer, contactez votre électricien pour remplacer la prise obsolète.

## DESCRIPTION DE L'APPAREIL

(voir page 3)

La terminologie suivante sera continuellement utilisée dans les pages à suivre.

- A. Carafe en verre (modèle DCF112/ DCF112T/ DCF212T)
- B. Carafe thermique (modèle DCF210TTC)
- C. Mesure à café
- D. Appui-tasses
- E. Poignée d'ouverture
- F. Compartiment de remplissage d'eau
- G. Porte-filtre pour le café filtre
- H. Filtre permanent (uniquement dans quelques modèles)
- I. Plaque (chauffante sur les modèles avec carafe en verre)
- J. Touche ON/OFF avec voyant de mise en marche
- K. Voyant ON/AUTO
- L. Touche ON/AUTO/OFF
- M. Touche SET TIMER
- N. Écran
- O. Touche SET CLOCK
- P. Touche AROMA
- Q. Voyant AROMA

## CONSIGNES DE SÉCURITÉ

- Cet appareil est conçu pour « faire du café ». Attention aux brûlures provoquées par les jets d'eau chaude ou de vapeur, ou par un usage inapproprié de l'appareil.
- Cet appareil est conçu pour un usage domestique seulement. Tout autre usage est considéré comme inapproprié donc dangereux.
- Le fabricant ne peut pas être tenu responsable pour d'éventuels dommages découlant d'usages inappropriés, erronés et irraisonnés.
- Pendant l'utilisation ne pas toucher les surfaces chaudes de l'appareil. Utiliser les poignées ou les boutons.
- Ne toucher jamais à l'appareil avec les mains ou les pieds mouillées ou humides.
- Ne jamais laisser les enfants ou les personnes handicapées utiliser cet appareil sans surveillance.
- Ne jamais laisser les enfants jouer avec cet appareil.
- En cas de panne ou de mauvais fonctionnement de l'appareil, éteignez-le en débranchant la fiche du cordon d'alimentation. Pour toute réparation, adressez-vous exclusivement à un Centre de d'assistance autorisé par le fabricant et exigez des pièces détachées d'origine. Ne pas respecter ces conseils risque de compromettre la sécurité de l'appareil.

## INSTALLATION

- Après avoir déballé l'appareil, assurez-vous qu'il soit intact.  
En cas de doutes, ne l'utilisez pas et référez-vous à un spécialiste.
- Les emballages de cet appareil (sacs en plastique, polystyrène expansé, etc.) sont des sources de danger potentielles. Ne jamais les laisser à la portée des enfants !
- Veuillez positionner l'appareil sur une surface de travail éloignée des robinets, des éviers et loin des sources de chaleur.
- Après avoir positionné l'appareil sur une surface de travail, assurez-vous de laisser un espace d'environ 5 cm sur les côtés de l'appareil, de même que l'arrière et un espace de 20 cm au-dessus de la cafetière.
- Ne jamais installer la machine dans un environnement qui peut atteindre une température inférieure ou égale à 0°C (si l'eau gèle, l'appareil pourrait être endommagé).
- Vérifiez que la tension du secteur corresponde à celle indiquée sur la plaque de l'appareil. Branchez l'appareil exclusivement sur une prise de courant ayant une intensité minimale de 10 A et munie d'une mise à la terre efficace. Le fabricant n'est pas tenu responsable des éventuels dégâts découlant du manque de mise à la terre.
- En cas d'incompatibilité entre la prise et la fiche de l'appareil, consultez un électricien pour remplacer la prise.
- Le cordon d'alimentation de cet appareil ne doit jamais être remplacé par l'utilisateur car ceci requiert des outils spéciaux. Si le cordon est endommagé, ou pour le remplacer, consultez exclusivement un centre d'assistance autorisé du fabricant afin d'éviter tout risque.

## PROGRAMMATION DE L'HORLOGE

Insérez la fiche dans la prise ; dès la première mise en marche, la machine affiche "AM 0:00".

Pour programmer l'heure exacte, appuyez et maintenez la touche « SET CLOCK » enfoncée (fig. 1) jusqu'à atteindre l'heure désirée; relâchez ensuite la touche.

L'heure peut être reprogrammée à tout moment.

## COMMENT PRÉPARER LE CAFÉ FILTRE

**ATTENTION :** Dès la première utilisation de la machine, il est nécessaire de nettoyer tous les accessoires et les circuits internes de la machine en faisant au moins deux carafes de café sans utiliser de café moulu.

- Ouvrez le volet frontal en tirant la poignée et en utilisant la carafe, versez de l'eau fraîche et propre dans le compartiment de remplissage d'eau jusqu'à l'indicateur du niveau relatif aux tasses de café que vous désirez préparer (fig. 2) : vérifiez le niveau d'eau dans le réservoir grâce à la fenêtre du niveau. Il est conseillé d'utiliser la carafe fournie comme doseur, puisque la capacité maximale de la carafe correspond à celle du réservoir (fig. 3).
- Placez le filtre permanent (si inclus) dans le porte-filtre (fig. 4) et pour les modèles qui n'en sont pas munis, utilisez le filtre papier.
- Ajoutez le café moulu au filtre en utilisant la mesure à café et répandez-le uniformément (fig. 5). Consultez le **tableau 1** pour les quantités recommandées. Utilisez du café moulu de bonne qualité, à mouture moyenne ou conçue pour les cafetières à filtre.

**Tableau 1 : Quantités recommandées.**

N° DE TASSES	N° DE MESURES À CAFÉ*
12	12
10	10
8	8
6	6
4	4

\* 1 pleine mesure à café = 1 cuillère à table (0.17oz./5 gr.)

Augmentez ou diminuez la quantité de café selon vos goûts personnels.

La "Specialty Coffee Association of America" recommande d'utiliser deux cuillères à table de café pour tous les 6 onces d'eau. Si vous souhaitez faire le café selon ces directives, consultez le **tableau 2**. Notez que, selon ces normes, vous obtiendrez un café très prononcé.

**Tableau 2 : quantité recommandée de la « Specialty Coffee Association of America »**

N° DE TASSES	N° DE MESURES À CAFÉ*
12	-
10	15
8	13
6	10
4	8

\*1 pleine mesure à café = 1 cuillère à table (0.17 oz./7.4 gr.)

Les quantités indiquées au tableau sont à titre indicatif et adéquates au goût personnel et au type de café: **ne dépassez jamais le niveau maximum de 15 mesures pour éviter des débordements désagréables.**

Le type de café influence beaucoup le café obtenu : Il est recommandé d'essayer plusieurs types de mélange pour déterminer le plus adapté à votre goût.

- **Appareils avec carafe en verre** : Fermez le volet frontal et replacez la carafe fermée sur la plaque (fig. 6).

**Appareils avec carafe thermique** : Avant de replacer la carafe sur la plaque, assurez-vous que le couvercle est fermé (fig. 7).

- **Appareils à commandes électriques** : La saveur du café peut être optimisée en appuyant sur la touche AROMA. Cette fonction active un procédé d'infusion libérant l'eau graduellement pour filtrer une petite quantité de la mouture pour donner un café savoureux de meilleure qualité et d'arôme plus riche. Pour activer la fonction, appuyez sur la touche AROMA : le voyant s'allume sur la touche. si accende la spia sul pulsante stesso. Pour désactiver la fonction, appuyez sur la touche de nouveau. *L'utilisation de la touche AROMA est recommandée lorsqu'il n'est pas nécessaire de préparer une carafe pleine de café.*

Appuyez sur la touche « ON/AUTO/OFF » (fig. 8). Le voyant lumineux rouge indique que la cafetière filtre est en marche et l'écran affiche « BREW » :

- **Appareils avec interrupteur simple** : Appuyez sur l'interrupteur « ON/OFF » (fig. 9). Le voyant lumineux sur l'interrupteur indique que la cafetière filtre est en marche.
- Le café commence à s'écouler après quelques secondes. **Il est tout à fait normal, que pendant la percolation du café, l'appareil produise un peu de vapeur.**
- **Sur les appareils avec une carafe en verre**, si vous laissez l'interrupteur "ON/OFF" enfoncé après la percolation, la plaque chauffant garde le café chaud à la température idéale. L'appareil s'éteint automatiquement après 2 heures.
- **Sur les appareils avec carafe thermique** : Pour verser le café, tournez le couvercle jusqu'à la position indiquée à la fig. 10. Pour complètement retirer le couvercle de la carafe, tournez le couvercle jusqu'à la position indiquée à la fig. 11. Au terme de l'infusion, l'appareil s'éteint automatiquement.

**Attention** : si vous retirez la carafe alors que la machine n'a pas fini de couler le café programmé, celui-ci continuera de couler hors de la carafe. Si vous voulez prendre un peu de café sans attendre, nous vous conseillons de le faire le plus rapidement possible pour éviter les échaoussures désagréables.

## PROGRAMMATION DE LA MISE EN MARCHE (AUTO) (uniquement sur les appareils à commandes électriques)

Vérifiez que l'heure programmée est exacte.

Pour programmer la préparation du café:

- Appuyez sur la touche SET TIMER et gardez-la enfoncée jusqu'à l'heure de mise en marche souhaitée.
- Relâchez alors la touche SET TIMER : L'heure clignote quelques instants jusqu'à mémorisation de la programmation : L'écran affiche l'heure actuelle.

## ACTIVATION DE LA FONCTION TIMER

Après avoir :

- programmé l'heure de mise en marche et d'arrêt tel qu'indiqué au paragraphe précédent ;
- préparez l'appareil pour faire le café.

Appuyez deux fois rapidement sur la touche ON/OFF/AUTO (fig. 12).

Le voyant **K** s'allume en vert et indique que l'appareil est en marche : l'écran affiche AUTO.

## NETTOYAGE ET ENTRETIEN

Avant d'exécuter toutes opérations de nettoyage, éteignez l'appareil, débranchez-la et laissez-la refroidir.

1. Pour le nettoyage de la machine, évitez d'utiliser des solvants ou des détergents abrasifs. L'utilisation d'un chiffon humide doux est suffisante.
2. Ne jamais immerger la machine dans l'eau : c'est un appareil électrique!

## DÉTARTRAGE (uniquement pour quelques modèles)

Si l'eau de votre région est dure, les dépôts de calcaire qui s'accumulent avec le temps risquent de compromettre le bon fonctionnement de l'appareil.

Il est conseillé de procéder au détartrage de la cafetière tous les 300 cycles de fonctionnement.

Procéder au détartrage en utilisant des détartrants

pour cafetière filtre en vente dans le commerce.

1. Diluez le produit dans la carafe selon les directives du fabricant du détartrant ;
2. Versez la solution dans le compartiment de remplissage d'eau ;
3. Remplacez la carafe sur la plaque chauffant ;
4. Appuyez sur l'interrupteur marche/arrêt du café filtre, faites couler l'équivalent d'une tasse et éteignez l'appareil;
5. Laissez la solution agir pendant 15 minutes, répéter l'opération 4 ou 5 fois.
6. Allumez l'appareil et faites couler le liquide jusqu'à ce que le réservoir soit complètement vide.
7. Pour rincer, faites fonctionner au moins trois fois (3 réservoirs d'eau pleins) la machine avec de l'eau seulement.

La garantie n'est pas valide si le nettoyage ci-haut décrit n'est pas effectué régulièrement.

## PROBLÈMES DE FONCTIONNEMENT

Problème	Causes Possibles	Solution
La percolation du café filtre est plus longue.	La cafetière filtre a besoin d'un détartrage.	Effectuer un détartrage tel que décrit au paragraphe 'Détartrage'.
Le café a un goût acide.	Le rinçage n'a pas été fait de façon adéquate.	Rincez l'appareil comme décrit au chapitre "Détartrage".



Cette garantie s'applique à tous les appareils ménagers de marques De'Longhi ou Kenwood.

### **Garantie limitée**

#### **Qu'est-ce qui est couvert par la garantie?**

Nous garantissons que chaque appareil est exempt de vices de matériaux et de fabrication. Notre obligation, dans le cadre de cette garantie, est limitée à la réparation, à notre usine ou dans un centre de réparation agréé, de toutes les pièces défectueuses ou leurs composants. En cas de remplacement ou retour d'un produit, il doit être retourné tout port payé. Le modèle neuf ou réparé sera retourné aux frais de la société. Cette garantie ne s'applique que dans les cas où l'appareil est utilisé conformément aux instructions de l'usine qui l'accompagnent et sur un circuit électrique à courant alternatif (c.a.).

#### **Combien de temps dure la garantie?**

Cette garantie dure une (1) année à partir de la date d'achat indiquée sur votre reçu et s'applique uniquement à l'acheteur initial pour l'utilisation.

#### **Qu'est ce qui n'est pas couvert par cette garantie?**

Cette garantie ne couvre ni les défauts ou dégâts résultant de réparations ou altérations apportées à l'appareil en dehors de notre usine ou des centres de réparation agréés ni les appareils qui ont été soumis à un mauvais traitement, une mauvaise utilisation, une négligence ou des accidents. En outre, les dommages-intérêts directs ou indirects résultant de l'utilisation de ce produit ou de la rupture d'un contrat ou du non-respect de cette garantie ne sont pas recouvrables dans le cadre de cette garantie. Certains états ou provinces n'autorisent pas l'exclusion ou la limitation des dommages-intérêts directs ou indirects. Par conséquent, la limitation ci-dessus peut ne pas s'appliquer à vous.

#### **Comment faire réparer l'appareil?**

Si des réparations s'avèrent nécessaires, consultez les informations ci-dessous :

**Résidents des États-Unis :** Veuillez appeler notre ligne d'assistance sans frais au 1-800-322-3848 ou connectez-vous à notre site Web à [www.delonghi.com](http://www.delonghi.com). Pour tous les accessoires, les pièces détachées et les pièces de rechange, veuillez contacter notre service des pièces détachées au 1-800-865-6330.

**Résidents du Canada :** Veuillez appeler notre ligne d'assistance sans frais au 1-888-335-6644 ou connectez-vous à notre site Web à [www.delonghi.com](http://www.delonghi.com).

**Résidents du Mexique :** Veuillez consulter la déclaration de garantie limitée pour le Mexique.

**Autres pays :** Veuillez visitez [www.delonghi.com](http://www.delonghi.com).

Veuillez consulter le dos du manuel pour connaître les adresses de De'Longhi.

La garantie ci-dessus remplace toutes les autres garanties et représentations explicites. Toutes les garanties implicites sont limitées à la période de garantie applicable établie ci-dessus. Cette limitation ne s'applique pas si vous concluez un contrat d'extension de garantie avec De'Longhi. Certains états ou provinces n'autorisent pas les limitations sur la durée des garanties implicites. Par conséquent, les exclusions ci-dessus peuvent ne pas s'appliquer à vous. De'Longhi n'autorise aucune personne ni société à assumer des responsabilités en association avec la vente ou l'utilisation de ses appareils.

#### **Comment s'appliquent les lois de l'état ou de la province?**

Cette garantie vous donne des droits juridiques précis et vous pouvez également avoir d'autres droits qui peuvent varier d'un état à un autre ou d'une province à une autre.

# ADVERTENCIAS IMPORTANTES

El uso de casi cualquier aparato eléctrico implica la observación de algunas reglas importantes. En particular:

- Lea atentamente las instrucciones
- Asegúrese de que la tensión (voltaje) de su instalación eléctrica corresponda a la indicada al fondo del aparato.
- No toque las superficies calientes, use las asas correspondientes.
- Para protegerse de eventuales riesgos eléctricos, no sumerja el cable, la base que contiene la clavija o el calentador ni en agua ni en ningún otro líquido.
- No deje el aparato al manejo de los niños, ni lo deje funcionando sin vigilancia.
- Retire la clavija del tomacorriente cuando el aparato no esté funcionando y antes de proceder a su limpieza.
- No ponga en funcionamiento al aparato con el cable o la clavija dañados, después de un funcionamiento anómalo del aparato o cuando éste último presente cualquier tipo de daños. Diríjase al centro de servicio más cercano para atender problemas y reparaciones.
- El uso de accesorios no indicados por el fabricante puede ser la causa de incendio, descargas eléctricas o heridas.
- No use el aparato a la intemperie.
- No deje que el cable de alimentación cuelgue de la mesa o superficie de trabajo para evitar enredarse o tropezarse accidentalmente con éste.
- No acerque el aparato y las partes eléctricas a hornillas eléctricas, parrillas, estufas y hornos de gas.
- Inserte la clavija al tomacorriente. Para quitarlo, apague el aparato y saque la clavija.
- No utilice el aparato para usos distintos a los que se indican. El aparato sólo debe ser utilizado para el uso doméstico. El fabricante declina cualquier responsabilidad por eventuales daños derivados del uso inapropiado, incorrecto o irresponsable.
- Aparatos con jarra de vidrio:
  - A. La jarra es un accesorio a utilizar exclusivamente con este aparato. No la utilice nunca sobre una parrilla o estufa.
  - B. No apoye el contenedor caliente sobre una superficie húmeda o helada.
  - C. No use la jarra si presenta fisuras o el asa está debilitada.
  - D. No la limpie con detergentes o esponjas abrasivas.

**ATENCIÓN: Para evitar el peligro de incendio o descargas, no quite la parte superior del aparato. Al interior no hay ningún elemento utilizable por el usuario. Las eventuales reparaciones deben realizarse en los Centros de Servicio Autorizados.**

## CONSERVE ESTAS INSTRUCCIONES

ESTE APARATO ESTA DESTINADO ÚNICAMENTE PARA EL USO DOMÉSTICO

# CABLE CORTO DE ALIMENTACIÓN

(Sólo para los Estados Unidos)

- El aparato está dotado de un cable corto de alimentación para reducir la posibilidad de enredar el cable y evitar tropezar con un cable demasiado largo.
- Es posible utilizar cables removibles o cables de extensión más largos prestando sin embargo mucha atención durante su uso.
- En el caso en el que se utilice un cable más largo, las especificaciones eléctricas deben corresponder con las indicadas para el aparato. Si el aparato tiene conexión a tierra, el cable deberá ser de tres hilos con tierra. La parte del cable que exceda de lo necesario, debe ser dispuesto de modo que no caiga de la mesa o de la superficie de trabajo donde pudiera ser tirado por los niños o bien con el que se pudiera uno tropezar.
- Su aparato está provisto de una clavija polarizada para corriente alterna (o bien una clavija que tiene una cuchilla más larga que las otras). Esta clavija se inserta sólo en un sentido en el tomacorriente: se trata de un dispositivo de seguridad. Si no consigue insertar la clavija en el tomacorriente, pruebe girándola. Si aún así no consigue insertarla, contacte a su electricista de confianza para sustituir el tomacorriente.

## DESCRIPCIÓN DEL APARATO

(vea la figura en la página 3)

La siguiente terminología será usada continuamente en las siguientes páginas.

- A. Jarra de cristal (modelos DCF112 / DCF112T / DCF212T)
- B. Jarra térmica (modelo DCF210TTC)
- C. Cuchara medidora
- D. Repisa para las tazas
- E. Manija de apertura
- F. Recipiente del agua
- G. Portafiltro para el café por goteo
- H. Filtro permanente (sólo algunos modelos)
- I. Plancha (calentadora, en los modelos con jarra de vidrio)
- J. Botón ON/OFF de encendido con piloto
- K. Piloto ON AUTO (ENCENDIDO/AUTOMÁTICO)
- L. Botón ON/AUTO/OFF (ENCENDIDO/AUTOMÁTICO/APAGADO)
- M. Botón SET TIMER (ESTABLECER EL TEMPORIZADOR)
- N. Pantalla
- O. Botón SET CLOCK (PROGRAMACIÓN DEL RELOJ)
- P. Botón AROMA
- Q. Piloto del AROMA

## ADVERTENCIA DE SEGURIDAD

- Este aparato está construido para "hacer el café". Ponga atención de no quemarse con chorros de agua o vapor o por el uso inapropiado del aparato.
- Este aparato debe ser empleado sólo para el uso doméstico. Cualquier otro uso debe considerarse inapropiado y por lo tanto peligroso.
- El fabricante no puede considerarse responsable de eventuales daños de su uso inapropiado, erróneo e irracional.
- Durante su uso no toque las superficies calientes del aparato. Utilice las asas o las manijas.
- No toque el aparato con las manos o pies mojados o húmedos.
- Sin la oportuna vigilancia, el uso de este aparato no debe ser permitido a niños o personas discapacitadas.
- No deje que los niños jueguen con el aparato.
- En caso de avería o funcionamiento deficiente del aparato, apáguelo desconectando la clavija del cable de alimentación.  
Para eventuales reparaciones, diríjase únicamente a un Centro de Servicio Técnico autorizado por el fabricante y solicite la utilización de repuestos originales.  
No cumplir con lo indicado anteriormente puede comprometer la seguridad del aparato.



## INSTALACIÓN

- Después de retirar todo el empaque, asegúrese de la integridad del aparato. En caso de duda, no utilice el aparato y diríjase con personas calificadas profesionalmente.
- Los elementos de empaque (bolsas de plástico, poliestireno expandido, etc.) no deben dejarse al alcance de los niños en cuanto constituyen fuentes de un peligro potencial.
- Disponga el aparato sobre una superficie de trabajo alejada de grifos de agua, fregaderos y fuentes de calor.
- Después de haber dispuesto el aparato sobre la superficie de trabajo, verifique que haya un espacio de aproximadamente 5 cm entre las superficies del aparato y las partes laterales y posterior y un espacio libre de cuando menos 20 cm sobre la cafetera.
- No instale nunca el aparato en un ambiente que pueda alcanzar una temperatura inferior o igual a 0°C (si el agua se congela, el aparato puede averiarse).
- Verifique que la tensión (voltaje) de la red eléctrica corresponda con la indicada en la placa del aparato. Conecte el aparato únicamente a un tomacorriente que posea una capacidad mínima de 10 Amp. y dotada de una eficiente conexión a tierra. El fabricante no puede considerarse responsable de eventuales accidentes causados por la falta de conexión a tierra del aparato.
- En caso de incompatibilidad entre el tomacorriente y la clavija del aparato, haga cambiar el tomacorriente por otro del tipo adecuado, por personal calificado.
- El cable de alimentación de este aparato no debe sustituirse nunca por el usuario en cuanto a que la sustitución requiere el uso de herramientas especiales. En caso de daños en el cable o para su sustitución, diríjase exclusivamente a un Centro de Servicio autorizado por el fabricante a fin de prevenir cualquier riesgo.

## PROGRAMACIÓN DEL RELOJ

Inserte la clavija en el tomacorriente; al encender por primera vez aparece escrito sobre la pantalla "AM 0:00".

Para programar la hora exacta, oprima y mantenga oprimido el botón "SET CLOCK" (figura 1, PROGRAMACIÓN DEL RELOJ) hasta alcanzar la hora actual, con lo que se suelta el botón. Se puede programar la hora en todo momento.

## PREPARACIÓN DEL CAFÉ CON EL FILTRO

**ATENCIÓN:** La primera vez que se prepara el café es necesario lavar todos los accesorios y enjuagar los circuitos internos de la cafetera haciendo cuando menos dos jarras de café sin utilizar el café molido.

- Abra la puerta frontal tirando de la manija y utilizando la jarra, vierta agua fresca y limpia en el recipiente hasta alcanzar la indicación de nivel correspondiente a las tazas de café que quiere preparar (figura 2): vigile el nivel de agua en el depósito sobre la ventana de nivel y de cualquier modo se recomienda utilizar la jarra incluida como dosificador, pues la capacidad máxima de la jarra corresponde a la del depósito (figura 3).
- Disponga el filtro permanente (si se tiene) en el portafiltro (figura 4) y para las versiones que están desprovistas de éste, use el filtro de papel.
- Ingrese el café molido en el filtro usando la cuchara medidora incluida y nivélelo uniformemente (figura 5). Refiérase a la **tabla 1** para la cantidad aconsejada. Utilice café molido de buena calidad, de molido medio y preparado para cafetera de filtro.

**Tabla 1: Cantidad aconsejada**

NO. DE TAZAS	NO. DE CUCHARADAS*
12	12
10	10
8	8
6	6
4	4

\*1 cucharada rasa = 1 cuchara de mesa (0.17oz./5 gr.)

Aumente o disminuya la cantidad de café según su gusto personal.

La "Specialty Coffee Association of America" recomienda utilizar la cantidad de dos cucharas de café por cada 6 onzas de agua (177cc).

Si desea hacer el café según estas indicaciones, refiérase a la **tabla 2**.

Tenga presente que, siguiendo esta norma se obtiene un café muy fuerte.

**Tabla 2: Cantidad recomendada por la "Specialty Coffee Association of America"**

NO. DE TAZAS	NO. DE CUCHARADAS *
12	-
10	15
8	13
6	10
4	8

\*1 cucharada rasa = 1 cuchara de mesa (0.17 oz./7.4 gr.)

Las cantidades indicadas en la tabla son indicativas y se adecuan al gusto personal y al tipo de café: **Nunca supere el nivel máximo de 15 cucharadas para evitar fastidiosos derrames.**

El tipo de café influye mucho sobre el café que se obtiene: es aconsejable por lo tanto probar diversos tipos de mezclas para identificar la que se adapta a su gusto.

- **Modelos con jarra de vidrio:** Cierre la puerta frontal y disponga la jarra cerrada sobre la plancha (figura 6).

**Modelos con jarra térmica:** Antes de disponer la jarra sobre la plancha, asegúrese de que la tapa está cerrada (figura 7)

- **Modelos con controles eléctricos:** Puede optimizarse el sabor del café oprimiendo el botón AROMA. Esta función activa un proceso de infusión que libera el agua en el filtro más lentamente; filtrando un poco cada vez, el café adquiere un mejor sabor y aroma. Para activar la función, oprima el botón AROMA: se enciende el piloto sobre el mismo botón. Para desactivar la función, vuelva a oprimir el botón.

Se recomienda la utilización del botón AROMA en el caso en el que se deba preparar la jarra completa de café.

Oprima el interruptor "ON/AUTO/OFF" (figura 8). La lampada spia rossa indica che la caffettiera filtro è in funzione e compare la scritta "BREW" sul display:

- **Modelos con un solo interruptor:** Oprima el interruptor "ON/OFF" (figura 9). El piloto en

el mismo interruptor indica que la cafetera de filtro está funcionando.

- El café comenzará a salir después de pocos segundos. **Es completamente normal que durante la percolación del café, el aparato emita un poco de vapor.**
- **En los modelos con jarra de vidrio,** si se deja oprimido el interruptor "ON/OFF" después de la precolación, la plancha calentadora mantiene el café caliente a la temperatura ideal. El aparato se apague automáticamente después de 2 horas.
- **Modelos con jarra térmica:** para verter el café, gire la tapa hasta alcanzar la posición indicada en la figura 10.

Para retirar completamente la tapa de la jarra, gírela hasta alcanzar la posición indicada en la fig. 11. Una vez concluida la infusión, el aparato se apaga automáticamente.

**Atención: Retirando la jarra antes de que la máquina haya terminado la producción del café requerido, no se va a interrumpir la producción del café sino que se bloquea sólo su flujo hacia la jarra; en el caso de que se quiera servir de inmediato un poco de café, se recomienda ejecutar tal operación en el menor tiempo posible para evitar fastidiosos derrames.**

## PROGRAMACIÓN DEL ENCENDIDO (AUTOMÁTICO) (sólo los modelos con controles electrónicos)

Verifique que la hora programada es correcta.

Para programar la hora de preparación del café:

- Oprima el botón SET TIMER y manténgalo presionado hasta alcanzar la hora de encendido deseada.
- Suelte entonces el botón SET TIMER: la hora parpadea algunos momentos hasta memorizar lo programado: sobre la pantalla aparece la hora actual.

## ACTIVACIÓN DE LA FUNCIÓN TEMPORIZADOR

Después de haber:

- programado la hora de encendido y apagado como se ilustra en el párrafo anterior;
- aliste al aparato para hacer el café. Oprima rápidamente dos veces el botón ON/OFF/AUTO (figura 12). El piloto K cambia a verde e indica que la cafetera está fun-

cionando: en la pantalla aparece escrito AUTO.

## LIMPIEZA Y MANTENIMIENTO

Antes de efectuar cualquier operación de limpieza o mantenimiento, apague la cafetera, desconecte la clavija del tomacorriente y deje enfriar el aparato.

1. Para la limpieza del aparato no use solventes o detergentes abrasivos. Será suficiente un paño húmedo y suave.
2. No sumerja nunca la máquina en el agua: es un aparato eléctrico.

## DESCALCIFICACIÓN (sólo algunos modelos)

Si el agua en su zona es dura, se acumulará el sarro con el paso del tiempo.

Sus depósitos pueden comprometer el buen funcionamiento del aparato.

Es aconsejable proceder a la descalcificación cada 300 ciclos de funcionamiento.

Proceda a la descalcificación utilizando los descalcificantes adecuados para la cafetera de filtro que se encuentran en el mercado.

1. Diluya en la jarra el producto siguiendo las indicaciones de preparación del mismo descalcificante;
2. Vierta la solución en el recipiente de agua;
3. Acomode la jarra sobre la plancha calentadora;
4. Oprima el interruptor de encendido de la cafetera para percolar el equivalente de una taza y después encienda el aparato.
5. Deje operar a la solución por 15 minutos. Repita la operación 4 o 5 veces más.
6. Encienda la cafetera y deje salir la solución hasta que el depósito se vacíe completamente.
7. Enjuague haciendo funcionar la cafetera únicamente con agua cuando menos tres veces (3 depósitos llenos de agua).

La garantía no es válida si la limpieza antes descrita no se realiza regularmente.

## PROBLEMAS DE FUNCIONAMIENTO

Problema	Causas probables	Soluciones
Los tiempos de precolación del café de filtro se alargan	La cafetera de filtro debe ser descalcificada	Ejecute la descalcificación como se describe en el párrafo "descalcificación"
El café tiene un sabor ácido	El enjuague ha sido insuficiente	Enjuague la cafetera como se describió en el capítulo "descalcificación"

Esta garantía cubre todos los productos con las marcas De'Longhi o Kenwood.

### **Garantía limitada**

(para los Estados Unidos solamente)

### **Alcance de la garantía**

Cada artefacto tiene garantía por defectos de materiales y de fabricación. Bajo los términos de esta garantía limitada, nuestra obligación se limita a la reparación de partes o componentes (a excepción de partes dañadas durante el transporte) en nuestra fábrica o en un centro autorizado de servicio. Al devolver un producto para cambio o reparación, todos los costos de envío deben ser pagados por el propietario del mismo. El producto nuevo o reparado será devuelto con los gastos de envío pagados por la compañía.

Esta garantía es válida únicamente si el artefacto se utiliza de acuerdo con las instrucciones del fabricante (incluidas con el artefacto) y alimentada eléctricamente con corriente alterna (CA).

### **Duración de la garantía**

Esta garantía es válida por un (1) año a partir de la fecha de compra que figura en el recibo o factura de venta de la unidad, y sólo el comprador original tiene derecho a hacer uso de la garantía.

### **Exclusiones de la garantía**

La garantía no cubre defectos ni daños que fueran consecuencia de reparaciones o modificaciones efectuadas al artefacto por personal ajeno a nuestra fábrica o a centros autorizados de servicio, ni cubre fallas o daños causados por maltrato, uso indebido, negligencia o accidentes. Esta garantía tampoco reconocerá reclamos efectuados por perjuicios directos ni indirectos emergentes del uso del producto, ni perjuicios o daños resultantes del uso del producto en incumplimiento de los términos y condiciones que hacen válida la garantía. En algunos estados no se permiten exclusiones ni limitaciones de los perjuicios reconocidos por una garantía, por lo cual las limitaciones mencionadas podrían ser no válidas en su caso particular.

### **Obtención de servicios de garantía**

Si las reparaciones son necesarias, vea la información de contacto que aparece a continuación:

Residentes de los Estados Unidos: Por favor contactar a nuestra línea telefónica gratuita, al 1-800-322-3848 o ingrese a nuestro sitio en el Internet [www.delonghi.com](http://www.delonghi.com). Para todos los accesorios, piezas de repuesto o de reemplazo, por favor contactar a nuestra división de piezas, al 1-800-865-6330.

Residentes de Canadá: Por favor contactar a nuestra línea telefónica gratuita, al 1-888-335-6644 o ingrese a nuestro sitio en el Internet [www.delonghi.com](http://www.delonghi.com) <<http://www.delonghi.com/>>.

Residentes de México: Refiera por favor a la garantía limitada para México.

Por favor vea la página trasera donde encontrará las direcciones de De'Longhi.

La garantía explicada anteriormente se ofrece en reemplazo de cualquier otra garantía, sea expresa u ofrecida de cualquier otra manera, y toda garantía implícita del producto estará limitada al período de duración mencionado anteriormente. Esta limitación queda anulada y es reemplazada por otros términos si el usuario decide obtener una garantía prolongada de De'Longhi. En algunos estados no se permiten limitaciones del período de garantía implícita, por lo cual las limitaciones mencionadas anteriormente podrían no ser válidas en su caso particular. De'Longhi no autoriza a ninguna otra persona ni compañía a ofrecer ningún tipo de garantía ni responsabilidad con respecto al uso o a los términos de venta de sus artefactos.

### **Leyes estatales/provinciales**

Esta garantía le confiere derechos establecidos por ley, pero usted también podría tener otros derechos que varían de un estado a otro.

Esta garantía cubre todos los productos con las marcas De'Longhi o Kenwood.

**GARANTIA LIMITADA PARA MÉXICO**  
CAFETERA ELECTRICA  
MODELO DCF112/DCF112T/DCF212T/DCF210TTC

Garantizamos todo producto DE'LONGHI por defectos de fabricación, material y mano de obra. Nuestra obligación dentro de ésta garantía es proporcionar gratuitamente las refacciones y el servicio durante un año a partir de la fecha de compra. Esta garantía se aplicará únicamente si el producto se utiliza de acuerdo con las instrucciones anexas del fabricante y con un circuito de corriente alterna (ca). Esta garantía reemplaza a cualquier otra garantía y acuerdo, expreso o implícito y a todas las demás obligaciones o responsabilidades de nuestra parte. No autorizamos a ninguna otra persona o compañía a asumir nuestras responsabilidades relacionadas con la venta y el uso de nuestro producto. Esta garantía no implica ninguna responsabilidad de parte nuestra en relación con la venta o el uso de nuestro producto.

Esta garantía no se hará válida en los siguientes casos:

- a) Cuando el producto se hubiese utilizado en condiciones distintas a las normales
- b) Cuando el producto no hubiese sido operado de acuerdo con el instructivo de uso que se le acompaña
- c) Cuando el producto hubiese sido alterado o reparado por personas no autorizadas por el fabricante nacional, importador o comercializador responsable respectivo.

Para hacer efectiva la garantía o si se necesitan reparaciones o refacciones, componentes, combustibles y accesorios llame, con su garantía sellada por el establecimiento, al Centro Nacional de Servicio para proporcionarle una cuenta de mensajería con la cual deberá remitir el producto y garantía. Los gastos que se deriven del cumplimiento de la presente garantía deberán ser absorbidos por el Centro Nacional de Servicio De'Longhi.

**Obtención de servicios de garantía**

Si las reparaciones son necesarias, vea la información de contacto que aparece a continuación:

**Residentes de los Estados Unidos:**

Por favor contactar a nuestra línea telefónica gratuita, al 1-800-322-3848 o ingrese a nuestro sitio en el Internet [www.delonghi.com](http://www.delonghi.com).

Para todos los accesorios, piezas de repuesto o de reemplazo, por favor contactar a nuestra división de piezas, al 1-800-865-6330.

**Residentes de Canadá:** Por favor contactar a nuestra línea telefónica gratuita, al 1-888-335-6644 o ingrese a nuestro sitio en el Internet [www.delonghi.com](http://www.delonghi.com) <<http://www.delonghi.com/>>.

**Residentes de México:** Por favor contactar a nuestra línea telefónica gratuita, al 01-800-711-88-05 (lada sin costo) / 56-62-53-68 y 69 (D.F.) o ingrese a nuestro sitio en el Internet [www.delonghi.com](http://www.delonghi.com) <<http://www.delonghi.com/>>.

Pestalozzi #814  
Col. Narvarte  
Del. Benito Juarez  
C.P. 03100  
MÉXICO  
tels: 5543 1447  
lada sin costo: 01 800 711 8805

## Free Manuals Download Website

<http://myh66.com>

<http://usermanuals.us>

<http://www.somanuals.com>

<http://www.4manuals.cc>

<http://www.manual-lib.com>

<http://www.404manual.com>

<http://www.luxmanual.com>

<http://aubethermostatmanual.com>

Golf course search by state

<http://golfingnear.com>

Email search by domain

<http://emailbydomain.com>

Auto manuals search

<http://auto.somanuals.com>

TV manuals search

<http://tv.somanuals.com>