

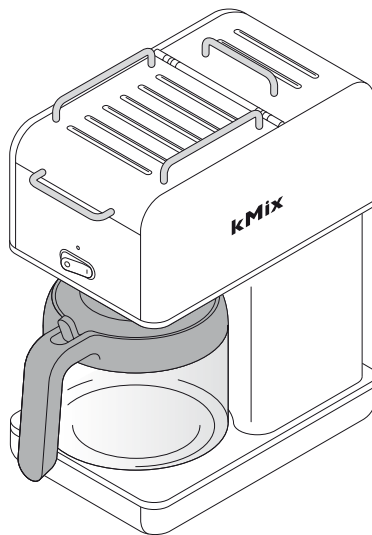


[www.delonghi.com](http://www.delonghi.com)

Instructions for use. Keep these instructions  
Mode d'emploi. Conservez cette notice  
Instrucciones para el uso . Repase y guarde estas  
instrucciones. Lea cuidadosamente este instructivo antes  
de usar su aparato

# COFFEE MAKER MACHINE À CAFÉ CAFETERA

DCM04 Series



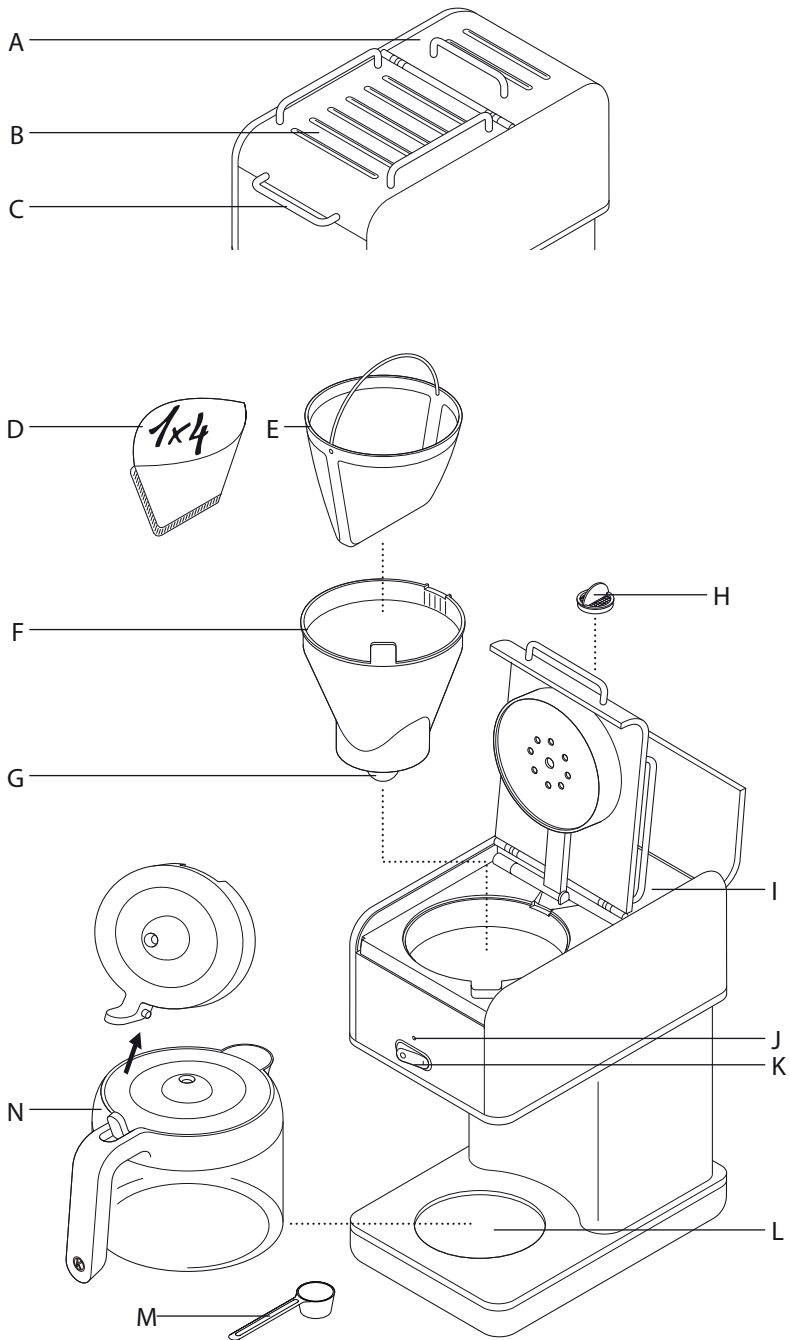
Register this product on-line and receive a free trial issue of  
Cook's Illustrated. Visit [www.delonghiregistration.com](http://www.delonghiregistration.com).  
Visit [www.delonghi.com](http://www.delonghi.com) for a list of service centers near you.

Enregistrez ce produit en ligne et recevez un numéro gratuit de  
Cook's Illustrated. Visitez [www.delonghiregistration.com](http://www.delonghiregistration.com).  
Visitez [www.delonghi.com](http://www.delonghi.com) pour y voir une liste des centres de  
réparation proches de chez vous.

Registre este producto en línea y reciba un ejemplar gratis de  
Cook's Illustrated. Visite [www.delonghiregistration.com](http://www.delonghiregistration.com).  
Visite [www.delonghi.com](http://www.delonghi.com) para ver la lista de centros de  
servicios cercanos a usted.

ELECTRIC CHARACTERISTICS: CARACTÉRISTIQUES ÉLECTRIQUES: CARACTERISTICAS ELECTRICAS:  
**120V-60Hz - 1 200 W**





# IMPORTANT SAFEGUARDS en

When using any electrical appliance, some basic safety precautions should be observed to reduce the risk of fire, electric shock, and/or injury to persons including the following: Specifically

- Read all instructions carefully.
- Make sure the voltage of your electrical system corresponds to the voltage shown on the bottom of the machine.
- Do not touch hot surfaces. Use handles or knobs.
- To protect against fire, electrical shock and personal injury, do not immerse cord, plug, or appliance in water or other liquid.
- Keep the appliance out of the reach of children and do not leave appliance unattended while in operation.
- Disconnect the plug from the power outlet when the machine is not in use and before cleaning.
- Do not operate the machine with a damaged cord or plug, after faulty operation, or when it has been damaged in any way. Contact the nearest De'Longhi service facility for examination, repair or adjustment.
- The use of accessories not recommended by the manufacturer may result in fire, electrical shock, or personal injury.
- Do not use the machine outdoors.
- Make sure the power cord does not hang over the edge of the table or counter-top to avoid getting accidentally caught or entangled.
- Do not place the machine or its electrical parts on or near electric stoves, cooking surfaces, or gas burners.
- To disconnect the appliance, turn appliance "OFF", then remove plug from wall outlet.
- Do not use this machine for any purpose other than its intended use. This appliance is for household use only. The manufacturer declines all responsibility for any damage caused by improper, incorrect, or irresponsible use.
- Allow to cool before putting on or taking off parts, and before cleaning the appliance.
- Do not let cord to touch hot surfaces.
- For machines with glass carafe:
  - A. The carafe is an accessory to be used exclusively with this appliance. Never use it on a cooking surface.
  - B. Do not set the hot container on a damp or cold surface.
  - C. Do not use the carafe if it is cracked or the handle is not completely sturdy.
  - D. Do not use abrasive detergents or cleaners, steel wool pads, sponges to clean.
  - E. Scalding may occur if the lid is removed during the brewing cycles.

**WARNING: To prevent the risk of fire or electric shock, never remove the upper part of the appliance. There are no elements inside that the user needs to access. Any necessary repairs must be made by an authorized service center.**

**SAVE THESE INSTRUCTIONS**  
**THIS APPLIANCE IS FOR HOUSEHOLD USE ONLY**

## SHORT CORD INSTRUCTIONS

- A short power cord is provided to reduce risks resulting from becoming entangled in or tripping over a longer cord.
- Longer, detachable power supply cords or extension cords are available and may be used if care is exercised in their use.
- If an extension cord is used, the marked electrical rating should be at least as great as the electrical rating of the appliance. If the appliance is provided with 3- wire, grounding type cord, the extension should be a GROUNDING TYPE 3 - WIRE CORD. The longer cord should be arranged so that it will not drape over the counter-top or table top where it can be pulled on by children or tripped over.
- Your product is equipped with a polarized alternating current line plug (a plug having one blade wider than the other). This plug will fit into the power outlet only one way. This is a safety feature. If you are unable to insert the plug fully into the outlet, try reversing the plug. If the plug should still fail to fit, contact your electrician to replace your obsolete outlet. Do not defeat the safety purpose of the polarized plug.

**Read this instruction booklet carefully before installing and using the appliance. This is the only way to ensure the best results and maximum safety for the user.**

### DESCRIPTION

(see illustration on page 3)

The terminology below will be used throughout the instructions.

- A Water tank lid
- B Cup warming tray/filter holder lid
- C Filter holder lid handle
- D Paper filters
- E Permanent filter
- F Filter holder
- G Anti-drip valve
- H Mesh filter
- I Water tank
- J Descale warning button
- K On/off button with indicator
- L Hotplate
- M Measuring spoon
- N Carafe

### SAFETY PRECAUTIONS

- The manufacturer may not be held liable for any damage caused by improper, incorrect, or unreasonable use.
- Never touch the hotplate or surrounding area.
- Always lift the lid using the handle at the front b.
- Do not touch hot parts including the cup warming tray a.
- Never touch the appliance with wet or damp hands or feet.
- Do not allow children or unfit persons to use the appliance unsupervised.

- Never allow children to play with the appliance.
- In the event of failure or malfunction, switch off the appliance and do not tamper with it in any way. If the appliance requires repair, contact an authorized De'Longhi service center and ask for original spare parts to be used. Failure to observe these safety precautions could jeopardize the safety of the appliance.
- Always use the appliance with the inspection's lid correctly closed and the water filter holder (if provided) correctly inserted.
- This coffee maker is only suitable for use with the type of carafe supplied.
- Do not leave the appliance switched on with an empty carafe on the hotplate.
- Never put the carafe in the microwave.

### BEFORE USING FOR THE FIRST TIME

- 1 Wash the parts: see 'care and cleaning'.
- 2 Run two full tanks of water (without coffee) through the coffee maker to clean it out. See 'How to make drip coffee'.

### HOW TO MAKE DRIP COFFEE

- 1 Lift up the water tank lid.
- 2 Fill the tank with the desired amount of water. The water level must be between the 2 and 10 cup marks. Do not fill above the MAX level.  
*Use cold water. We recommend using filtered water as it reduces limescale and prolongs the life of your coffee maker. Never use warm or carbonated water.*
- 3 Lift the filter holder lid using the handle at the front of the coffee maker. Ensure the filter holder is positioned correctly.

- 4 Fit either the permanent filter supplied or a paper filter into the filter holder. Add the coffee using the spoon supplied. (Note: The strength of your brewed coffee will depend on the variety and strength of coffee used not the amount. For best brewing 1 level spoon of coffee is recommended per cup).
- 5 Close the lid and put the carafe on the hotplate. NOTE: The lid must be fitted to the carafe in order to operate the anti-drip valve.
- 6 Plug in and switch on.
- 7 Don't remove the carafe until brewing has finished. When the carafe is empty, switch off and unplug the appliance. *The hot plate will keep your coffee hot, but the sooner you drink it, the better it will taste.*  
*Your coffee maker will keep the coffee warm and then automatically switch off after 2 hours.*  
*If you have not used the appliance for a while, run one full tank of water (without coffee) through to clean it out.*

#### TIPS

*The Water* ~ Your coffee is around 98-99% water so it's important to ensure you use fresh filtered water. We recommend using filtered water as it will reduce limescale and prolong the use of your coffee maker.

*The Coffee* ~ This machine will optimize the flavor of medium ground coffee, to deliver full body, aroma and taste. Be sure before you buy that the coffee is suitable for a filter machine. Or if you grind your own beans set the grinder to medium coarseness. If the particles are too small, water will pass through the filter too slowly resulting in 'over-extraction'; your coffee will taste bitter. If particles are too large, water will pass through too quickly resulting in 'under-extraction'; your coffee will taste weak and watery.

*The Measurements* ~ To brew a perfectly balanced cup we recommend to use 1 measuring spoon of ground coffee per cup. Use the measuring spoon provided to do this accurately. Coffee will taste better when fresh so we recommend drinking within 30 minutes of brewing, any longer and taste begins to deteriorate.

*The Maintenance* ~ Use paper filters or a permanent filter either type is suitable to produce great coffee. We recommend that you rinse your permanent filter with water after every use as any residual detergent could taint your coffee. Dispose of the used grounds immediately after use to prevent drip through of unwanted flavors trapped in the used coffee grounds. Try to keep your coffee machine clean, especially the shower head as this will help to prolong your machine and maintain perfect brewing.

#### CLEANING AND MAINTENANCE

Before carrying out any cleaning operations, switch the appliance off, unplug it from the power outlet, and let it cool down.

- Do not use solvents or abrasive detergents to clean the appliance. A soft damp cloth is sufficient.
- Never immerse the coffee maker in water: it is an electrical appliance.
- Don't wash parts in the dishwasher.

#### Carafe and lid, filter holder and permanent filter holder

- Wash, then dry.

#### Body

- Wipe with a damp cloth, then dry. Don't use abrasives - they'll scratch the plastic and metal surfaces.

#### Mesh filter

- The mesh filter h in the tank can be lifted out for cleaning if required. Always ensure it is replaced before filling the tank with water.

#### To descale

If the water in your area is hard, lime scale deposits may build up over time. These deposits may affect the correct operation of the appliance. It is recommended to descale the appliance after 60 uses.

- 1 Buy a suitable descaler. Follow the instructions provided with the product.
- 2 Descal the machine.
- 3 After descaling, run at least two full tanks of water (without coffee) through the coffee maker to clean it out.
- 4 Wash the parts.

Problem	Probable cause	Solution
The coffee takes longer to brew.	The coffee maker needs to be descaled.	Descalcify the machine as described in the section DESCALING.
The coffee has an acidic taste.	Insufficient rinsing after descaling.	Rinse the machine as described in the section DESCALING.
In case of leaks	Do not exceed the maximum water level	On the back of the unit there is a overflow hole protection: if coffee maker is too much loaded, water starts to spill out from this hole.
	The machine must stay in a flat position.	

**This warranty applies to all products with De'Longhi or Kenwood brand names.**

**What does the warranty cover?**

We warrant each appliance to be free from defects in material and workmanship. Our obligation under this warranty is limited to repair at our factory or authorized service center of any defective parts or part thereof, other than parts damaged in transit. In the event of a products replacement or return, the unit must be returned transportation prepaid. The repaired or new model will be returned at the company expense.

This warranty shall apply only if the appliance is used in accordance with the factory directions, which accompany it, and on an Alternating current ( AC ) circuit.

**How long does the coverage last?**

This warranty runs for one year (1) from the purchase date found on your receipt and applies only to the original purchaser for use.

**What is not covered by the warranty?**

The warranty does not cover defects or damage of the appliance, which result from repairs or alterations to the appliance outside our factory or authorized service centers, nor shall it apply to any appliance, which has been subject to abuse, misuse, negligence or accidents. Also, consequential and incidental damage resulting from the use of this product or arising out of any breach of contract or breach of this warranty are not recoverable under this warranty. Some states do not allow the exclusion or limitation of incidental or consequential damage, so the above limitation may not apply to you.

**How do you get service?**

If repairs become necessary, see contact information below:

**U.S. Residents:** Please contact our toll free hotline at 1-800-322-3848 or log onto our website at [www.delonghi.com](http://www.delonghi.com)

**Residents of Canada:** Please contact our toll free hotline at 1-888-335-6644 or log onto our website at [www.delonghi.com](http://www.delonghi.com)

**Residents of Mexico:** Please contact our toll free number 01-800-711-8805 for assistance or log onto our website at [www.delonghi.com](http://www.delonghi.com)

The above warranty is in lieu of all other express warranties and representations. All implied warranties are limited to the applicable warranty period set forth above. This limitation does not apply if you enter into an extended warranty with De'Longhi. Some states/ countries do not allow limitations on how long an implied warranty lasts, so the above exclusions may not apply to you. De'Longhi does not authorize any other person or company to assume for it any liability in connection with the sale or use of its appliance.

**How does country law apply?**

This warranty gives you specific legal rights, and you may also have other rights, which vary from state to state/country to country.



## Free Manuals Download Website

<http://myh66.com>

<http://usermanuals.us>

<http://www.somanuals.com>

<http://www.4manuals.cc>

<http://www.manual-lib.com>

<http://www.404manual.com>

<http://www.luxmanual.com>

<http://aubethermostatmanual.com>

Golf course search by state

<http://golfingnear.com>

Email search by domain

<http://emailbydomain.com>

Auto manuals search

<http://auto.somanuals.com>

TV manuals search

<http://tv.somanuals.com>