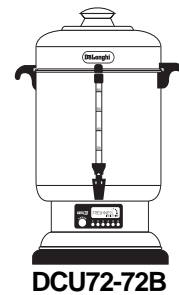
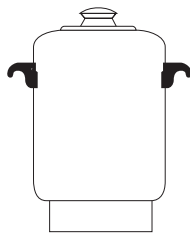


**Instruction Manual  
20-60 Cup Coffee Urn  
with Freshness Indicator**



Read and Save These Instructions

Lisez et Conservez Ces Instructions

**Models/Modelos/Modèles  
DCU70-70B, DCU70T-70TB, DCU71-71B, DCU72-72B**

## **IMPORTANT SAFEGUARDS**

When using electrical appliances, basic safety precautions should always be followed to reduce the risk of fire, electrical shock and/or personal injury.

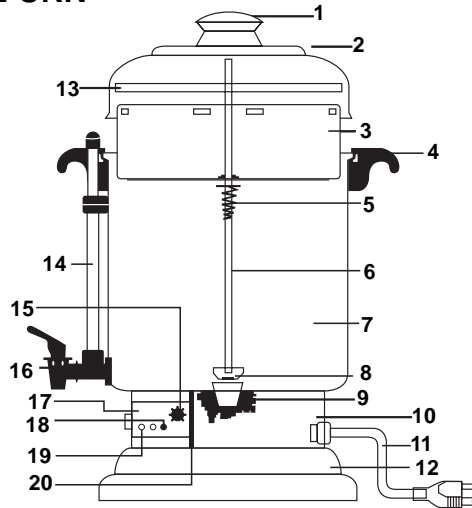
- 1) Read all instructions.
- 2) Do not touch hot surfaces. Use handles or knobs.
- 3) Close supervision is necessary when any appliance is used by or near children.
- 4) To protect against fire, electric shock and/or personal injury, do not place cord, plugs, or appliance in water or any other liquid.
- 5) Unplug from outlet when not in use and before cleaning. Allow to cool before putting on or taking off parts, and before cleaning the appliance.
- 6) Do not operate any appliance with a damaged cord or plug or after the appliance malfunctions, or has been damaged in any manner. Return appliance to an authorized DeLonghi service center for examination, repair or adjustment.
- 7) The use of accessory attachments is not recommended by the appliance manufacturer. It may result in fire, electric shock and/or personal injury.
- 8) To disconnect, remove plug from wall outlet. Always hold the plug, but never pull the cord.
- 9) Use extreme caution in moving the coffee urn when it contains hot liquids.
- 10) Do not use outdoors.
- 11) Do not let cord hang over edge of table or counter, or touch hot surfaces.
- 12) Do not place on or near a hot gas or electric burner, or in a heated or microwave oven.
- 13) Never use warm or hot water to fill the water reservoir. Use only cold water.
- 14) Make sure the cover is securely in place before brewing and when serving coffee. Scalding may occur if the cover is removed during the brewing cycle.
- 15) When removing or replacing the cover, be sure it is seated properly on the body, and grasp the knob carefully.
- 16) Do not use appliance for other than intended use.
- 17) This appliance is rated for both Commercial and Household use.

## **SHORT CORD INSTRUCTIONS**

A short power cord is provided to reduce the risk resulting from entanglement or tripping over a longer cord. Longer detachable power supply cords are available and may be used if care is exercised in their use. If a longer detachable power cord or extension cord is used (1) the marked electrical rating of the extension cord should be at least as great as the electrical rating of the appliance, and (2) the longer cord should be arranged so that it will not drape over the countertop or table top where it can be pulled on by children or tripped over unintentionally. The electrical rating of the appliance is listed on the bottom of the unit. If the appliance is of the grounded type, the extension cord should be a grounded type 3 wire cord. This appliance has a polarized plug. One blade is wider than the other. As a safety feature this plug will fit in a polarized outlet only one way. If the plug does not fit, contact a qualified electrician. Do not attempt to defeat this safety feature.

## KNOW YOUR COFFEE URN

- 1) Glass Knob
- 2) Cover
- 3) Basket
- 4) Handle
- 5) Spring
- 6) Pump Tube
- 7) Body
- 8) Washer
- 9) Percolation Well
- 10) Base
- 11) Cord
- 12) Base Cover
- 13) Spreader
- 14) Coffee Level Indicator (DCU72(B)-70T(B))
- 15) Adjustable Thermostat (DCU71(B)-70T(B))
- 16) Spigot
- 17) Panel Plate
- 18) Power Light
- 19) Freshness Indicator
- 20) Freshness Indicator PCB



## BEFORE YOUR FIRST USE

Carefully unpack your coffee urn and remove all packaging material. Remove the hanging label from the coffee urn. The Freshness Indicator label, located on the base cover of the unit, may safely remain on the coffee urn if so desired. To remove any dust that may have accumulated during packaging, wash the coffee urn thoroughly inside and out before using for the first time. (See "Cleaning Your Coffee Urn" section in this manual).

**NOTE:** We recommend that prior to percolating your first pot of coffee, you "perc" cold water only, without ground coffee. This will remove any dust that may have settled inside the coffee maker.

**IMPORTANT:** Use cold water only. The automatic percolating system works best with cold water.

## OPERATING YOUR COFFEE URN

- 1) Remove the cover. Take out the basket, spreader and tube assembly. Fill your coffee urn with cold water corresponding to the desired cups of coffee you will be making. Cup level markings are located on the inside of the coffee urn.

NOTE: The coffee urn makes 20-60 cups. **DO NOT OVERFILL OR UNDERFILL THE URN.** Fill according to the markings on the inside of urn for number of cups desired. Use cold tap water.

- 2) Moisten the coffee basket to help keep small particles from sifting through. Add desired amount of regular or percolator grind coffee to basket using a standard tablespoon or measuring cup. We recommend percolator grind coffee for best results. The following chart suggests amount of coffee to use for medium brew; amounts can be varied to suit personal taste and particular types of coffee:

<u>Cups To Be Brewed</u>	<u>Amt. of Ground Coffee to Use - Tablespoons</u>	<u>Amt. of Ground Coffee to Use - Measuring Cups</u>
20	18 - 21	1
30	28 - 31	1½
40	38 - 41	2
50	48 - 51	2½
60	58 - 61	3

- 3) To reduce coffee sediment from forming inside the base of the urn, place coffee filter in the basket.
- 4) Place the basket on the tube and cover with spreader. By holding the top end of the tube, place into the coffee urn so the bottom of the tube is properly positioned in the center of the percolation well. If improperly positioned, coffee may not percolate. Push and turn to lock the cover of the coffee urn into place.
- 5) **Never plug in the coffee urn without water or liquid inside.** Plug the power cord into a standard 120 Volt AC wall outlet. The brewing begins within seconds. You can view the percolation through the glass knob and monitor the amount of coffee through the level indicator (Featured on Models DCU72-72B and DCU70T-70TB Only).
- 6) The thermostat ranges from 150 - 200°F and may be adjusted according to your desired temperature before, during and after (keep warm) the brewing process. (Featured on Models DCU71-71B and DCU70T-70TB Only)

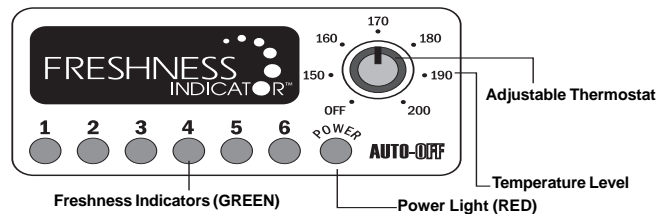
## OPERATING YOUR COFFEE URN (con't)

- 7) When the coffee brewing cycle is completed and percolation stops, the coffee urn automatically switches to the keep warm cycle. The keep warm cycle automatically activates the FRESHNESS INDICATOR, and all six green lights will illuminate. At this time, coffee is ready to serve. Coffee can be enjoyed anytime during the FRESHNESS mode (keep warm cycle). See "Understanding the Control Panel" for detailed information on the FRESHNESS INDICATOR.
- 8) If you want to reheat coffee during the FRESHNESS mode (keep warm cycle), unplug the cord and then plug it into the wall outlet again.  
CAUTION: DO NOT REHEAT IF THERE IS LESS THAN 20 CUPS OF WATER LEFT IN THE UNIT.
- 9) **Do not remove any parts before serving: coffee urn and parts will be HOT.**
- 10) Disconnect plug from wall outlet first. Let the coffee urn cool before cleaning.
- 11) To make additional coffee, rinse the unit and its parts with cold water and repeat steps 1 through 10.

## UNDERSTANDING THE CONTROL PANEL

- 1) **Adjustable Thermostat (Featured on Models DCU71-71B and DCU70T-70TB Only)** - The thermostat ranges from 150°F (MIN) - 200°F (MAX). It may be adjusted according to your desired temperature before, during and after (keep warm mode) the brewing process.

- 2) **Functions (Control Levels)**



- 3) **Light Operation** - During the coffee brewing mode, the power light is "ON" (RED). When the coffee has finished brewing and percolation stops, all six FRESHNESS INDICATOR lights illuminate (GREEN). Each FRESHNESS INDICATOR light represents one full hour. After each hour passes, the lights will turn off one by one from right (6) to left (1). After six hours, the coffee urn will automatically shut off. The power light (RED) will remain on indicating that it is still plugged into an AC wall outlet.

## CLEANING YOUR COFFEE URN

- 1) CAUTION: Be sure to unplug this appliance before cleaning. To protect against electrical shock, do not immerse cord, plug or unit in water or liquid. After each use, always make sure plug is first removed from wall outlet, then remove cord from coffee urn. Let coffee urn cool.
- 2) Use caution when removing cover and all internal parts. The internal components, coffee grounds and coffee may still be hot.
- 3) Wash the inside of the coffee urn with water and mild detergent. Rinse thoroughly and dry. **Never immerse coffee urn body or base.**
- 4) The cover with glass knob, basket, spreader and pump tube assembly may be placed in the dishwasher. When washing the pump tube, be sure that the washer on the bottom remains loose. If coffee grounds are caught in pump tube, hold it under running water or use a wooden pick to remove. **Never wash coffee urn body or base in dishwasher.**
- 5) Wipe exterior with a damp cloth and dry with a towel. Do not use harsh or abrasive cleansers on the exterior of the unit. Store unit with cover off.
- 6) **After Repeated Use:** Remove accumulation of oil and coffee stains that may cause a bitter taste with a special cleanser, such as "Dip-It"®. Follow package directions, filling with water to 1½ inches from top. Be sure to rinse well.

••Limited Warranty••

WHAT DOES THE WARRANTY COVER?

We warrant each appliance to be free from defects in material and workmanship. Our obligation under this warranty is limited to replacement or repair, free of charge at our factory or authorized service centers of any defective part or parts thereof other than parts damaged in transit, which shall be returned to us, transportation prepaid. This warranty shall apply only if the appliance is used in accordance with the factory directions which accompany it, and on an Alternating Current (AC) circuit.

HOW LONG DOES THE COVERAGE LAST?

This warranty runs for one year from the date of delivery and applies only to the original purchaser for use.

WHAT IS NOT COVERED BY THE WARRANTY?

The warranty does not cover defects or damage of the appliance which result from repairs or alterations to the appliance outside our factory or authorized service centers, nor shall it apply to any appliance which has been subject to abuse, misuse, negligence or accidents. Also, consequential and incidental damage resulting from the use of this product or arising out of any breach of contract or breach of this warranty are not recoverable under this warranty. Some states do not allow the exclusion or limitation of incidental or consequential damage, so the above limitation may not apply to you.

HOW DO YOU GET SERVICE?

If repairs become necessary or spare parts are needed, please contact:

DeLonghi America, Inc.	DeLonghi Mexico, Inc.	DeLonghi Canada, Inc.
Park 80 West, Plaza One	Av. del Convento No. 136	1040 Ronsa Court
Saddle Brook, NJ 07663	Col. Parque San Andrés Coyacán	Mississauga, Ontario L4W 3Y4 Canada
Or call us at: 1-800-322-3848	C.P. 04120 México D.F.	Or call us at: 1-888-335-6644

The above warranty is in lieu of all other express warranties and representations. All implied warranties are limited to the applicable warranty period set forth above. This limitation does not apply if you enter into an extended warranty with DeLonghi. Some states do not allow limitations on how long an implied warranty lasts, so the above exclusions may not apply to you. DeLonghi does not authorize any other person or company to assume for it any liability in connection with the sale or use of its appliance.

HOW DOES STATE LAW APPLY?

This warranty gives you specific legal rights, and you may also have other rights which vary from state to state.



*Living innovation.™*

Models/Modelos/Modèles:

DCU70-70B, DCU70T-70TB, DCU71-71B, DCU72-72B

Made in Korea/Fabricado en Corea/Fabriqu  en Cor e

Power Requirement/Alimentaci n/Courant n cessaire: 120 Volts / 60 Hz

Power Consumption/Consumo/Consommation  lectrique: 1000 Watts

[www.delonghiusa.com](http://www.delonghiusa.com)

DeLonghi America, Inc.  
Park 80 West, Plaza One  
Saddle Brook, NJ 07663  
1-800-322-3848

DeLonghi Canada, Inc.  
1040 Ronsa Court  
Mississauga, Ontario  
L4W 3Y4 Canada  
1-888-335-6644

DeLonghi Mexico, Inc.  
Av. del Convento No. 136  
Col. Parque San Andr s Coyac n  
C.P. 04120 M xico D.F.

  2001 DeLonghi



## Free Manuals Download Website

<http://myh66.com>

<http://usermanuals.us>

<http://www.somanuals.com>

<http://www.4manuals.cc>

<http://www.manual-lib.com>

<http://www.404manual.com>

<http://www.luxmanual.com>

<http://aubethermostatmanual.com>

Golf course search by state

<http://golfingnear.com>

Email search by domain

<http://emailbydomain.com>

Auto manuals search

<http://auto.somanuals.com>

TV manuals search

<http://tv.somanuals.com>