



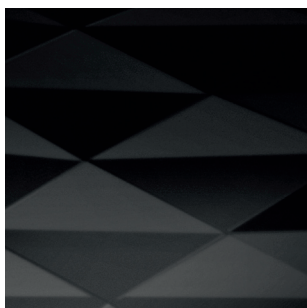
De'Longhi Appliances
via Seitz, 47
31100 Treviso Italia



1761030IDL /05.11

Istruzioni per l'uso
Instructions for use
Mode d'emploi
Bedienungsanleitung
Gebruiksaanwijzingen
Instrucciones para el uso
Instruções de utilização
Οδηγίες χρήσης
Инструкции по эксплуатации
Használati utasítás

TOSTAPANE
TOASTER
GRILLE-PAIN
TOASTER
TOASTER
TOSTADOR
TORRADEIRA
ΦΡΥΓΑΝΙΕΡΑ
ТОСТЕР
KENYÉRPÍRÍTÓ



Návod k použití
Návod na používanie
Instrukcja obsługi
Bruksanvisning
Bruksanvisning
Bruksanvisning
Käyttöohjeet
Upute za uporabu
Navodila za uporabo
Указания за употреба
Instrucțiuni de folosire
Kullanım talimatları

OPĚKAČ TOPINEK
HRIANKOVAČ
TOSTER
BRØDRISTER
BRÖDROST
BRØDRISTER
LEIVÄNPAAHDIN
TOSTER
UPUTE ZA UPORABU
ТОСТЕР
PRĂJITOR DE PÂINE
EKMEK KIZARTMA

تعليمات للاستخدام

electrical connection (uk only)

- A) If your appliance comes fitted with a plug, it will incorporate a 13 Amp fuse. If it does not fit your socket, the plug should be cut off from the mains lead, and an appropriate plug fitted, as below.

WARNING: Very carefully dispose of the cut off plug after removing the fuse: do not insert in a 13 Amp socket elsewhere in the house as this could cause a shock hazard.

With alternative plugs not incorporating a fuse, the circuit must be protected by a 15 Amp fuse. If the plug is a moulded-on type, the fuse cover must be re-fitted when changing the fuse using a 13 Amp Asta approved fuse to BS 1362. In the event of losing the fuse cover, the plug must NOT be used until a replacement fuse cover can be obtained from your nearest electrical dealer. The colour of the correct replacement fuse cover is that as marked on the base of the plug.

- B) If your appliance is not fitted with a plug, please follow the instructions provided below:

WARNING - THIS APPLIANCE MUST BE EARTHED IMPORTANT

The wires in the mains lead are coloured in accordance with the following code:

Green and yellow:	Earth
Blue:	Neutral
Brown:	Live



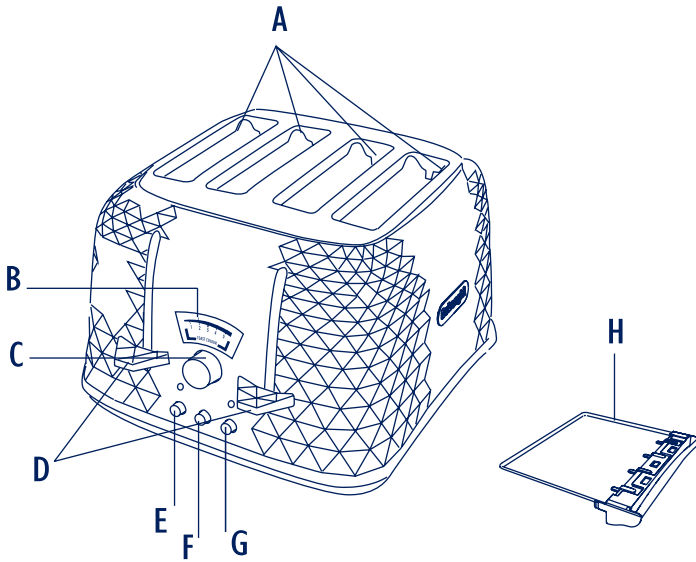
As the colours of the wires in the mains lead may not correspond with the coloured markings identifying the terminals in your plug, proceed as follows:

The green and yellow wire must be connected to the terminal in the plug marked with the letter E or the earth symbol  or coloured green or green and yellow.

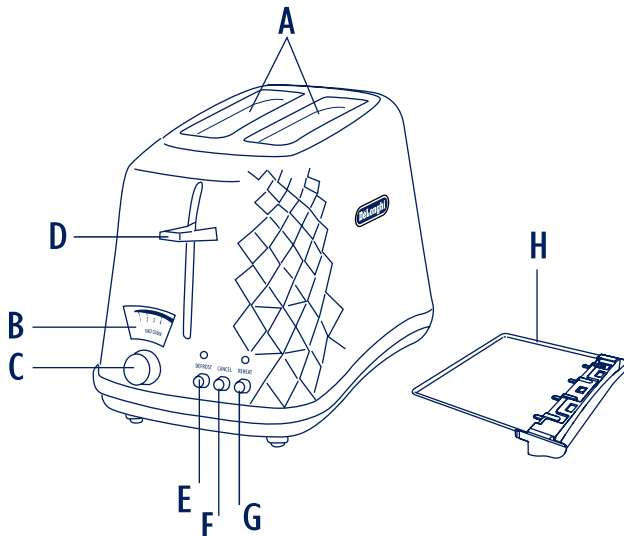
The blue wire must be connected to the terminal marked with the letter N or coloured black.

The brown wire must be connected to the terminal marked with the letter L or coloured red.

CTJ4003 Series



CTJ2003 Series



Free Manuals Download Website

<http://myh66.com>

<http://usermanuals.us>

<http://www.somanuals.com>

<http://www.4manuals.cc>

<http://www.manual-lib.com>

<http://www.404manual.com>

<http://www.luxmanual.com>

<http://aubethermostatmanual.com>

Golf course search by state

<http://golfingnear.com>

Email search by domain

<http://emailbydomain.com>

Auto manuals search

<http://auto.somanuals.com>

TV manuals search

<http://tv.somanuals.com>