



INSTALLATION and SERVICE INSTRUCTIONS  
USE and CARE INSTRUCTIONS

**A 1346 G**  
DUAL FUEL  
COOKER



distributed by  
**DèLonghi**  
Pty Ltd

***Dear Customer,***

*Thank you for having purchased and given your preference to our product.*

*The safety precautions and recommendations reported below are for your own safety and that of others. They will also provide a means by which to make full use of the features offered by your appliance.*

*Please keep this booklet in a safe place. It may be useful in future, either to yourself or to others in the event that doubts should arise relating to its operation.*

***This appliance must be used only for the task it has explicitly been designed for, that is for cooking foodstuffs. Any other form of usage is to be considered as inappropriate and therefore dangerous.***

***The manufacturer declines all responsibility in the event of damage caused by improper, incorrect or illogical use of the appliance or by faulty installation.***

**Important:**

- This appliance is designed and manufactured solely for the cooking of domestic (household) food and is not suitable for any non domestic application and therefore should not be used in a commercial environment.
- The appliance guarantee will be void if the appliance is used within a non domestic environment i.e. a semi commercial, commercial or communal environment.
- **WARNING:** Accessible parts will become hot when in use. To avoid burns and scalds children should be kept away.

**PRODUCT LABEL**



## FIRST TIME USE THE OVEN

It is advised to follow these instructions:

- Fit the wire racks as described at chapter "Use and care".
- Insert shelves and tray.
- Switch on the empty oven on max to eliminate grease tracks from the heating elements.
- Clean the interior of the oven with cloth soaked in water and detergent (neutral) then dry carefully.

## IMPORTANT PRECAUTIONS AND RECOMMENDATIONS FOR USE OF ELECTRICAL APPLIANCES

Use of any electrical appliance implies the necessity to follow a series of fundamental rules. In particular:

- Never touch the appliance with wet hands or feet;
- do not operate the appliance barefooted;
- The appliance is not intended for use by young children or infirm persons with supervision
- Young children should be supervised to ensure they do not play with the appliance

The manufacturer cannot be held responsible for any damages caused by improper, incorrect or illogical use of the appliance.

**WARNING: Ensure the appliance is switched off before replacing the lamp to avoid the possibility of electric shock.**

## IMPORTANT PRECAUTIONS AND RECOMMENDATIONS

After having unpacked the appliance, check to ensure that it is not damaged.

In case of doubt, do not use it and consult your supplier or a professionally qualified technician.

Packing elements (i.e. plastic bags, polystyrene foam, nails, packing straps, etc.) should not be left around within easy reach of children, as these may cause serious injuries.

- Do not attempt to modify the technical characteristics of the appliance as this may become dangerous to use.
- Do not carry out cleaning or maintenance operations on the appliance without having previously disconnected it from the electric power supply.
- After use, ensure that the knobs are in off position.
- The appliance is not intended for use by young children or infirm persons without supervision.
- During and after use of the cooker, certain parts will become very hot. Do not touch hot parts.
- Keep children away from the cooker when it is in use.
- Young children should be supervised to ensure that they do not play with the appliance.
- Some appliances are supplied with a protective film on steel and aluminium parts. This film must be removed before using the appliance.
- Fire risk! Do not store flammable material in the ovens and in the drawer.
- Make sure that electrical cables connecting other appliances in the proximity of the cooker cannot come into contact with the hob or become entrapped in the oven doors.
- Do not line the oven walls with aluminium foil. Do not place baking trays or the drip tray on the base of the oven chamber.
- The manufacturer declines all liability for injury to persons or damage to property caused by incorrect or improper use of the appliance.
- **IMPORTANT NOTE: This appliance shall not be used as a space heater, especially if installed in marine craft or caravans.**
- **WARNING: In order to prevent accidental tipping of the appliance, for example by a child climbing onto the open oven door, the stabilizing means must be installed. Please refer to instructions for installation.**

---

This cooker has been designed and constructed in accordance with the following codes and specifications:

AGA101 (AS 4551)	Approval Requirements for Domestic Gas cooking appliances
AS/NZS 3350-1	General Requirements for Domestic electrical appliances
AS/NSZ 3350-2-6	Particular Requirements for Domestic electrical cooking appliances
AS/NSZ 1044	Electromagnetic Compatibility Requirements.

---

**CAUTION:**

- This appliance must be installed in accordance with these installation instructions.
- This appliance shall only be serviced by authorized personnel.
- This appliance is to be installed only by an authorised person.
- Incorrect installation, for which the manufacturer accepts no responsibility, may cause personal injury or damage.
- Always disconnect the cooker from mains power supply before carrying out any maintenance operations or repairs.
- In the room where the cooker is installed, there must be enough air to allow the gas to burn correctly, according to the current local regulations.

**ELECTRICAL REQUIREMENTS**

- The appliance must be connected to the mains checking that the voltage corresponds to the value given in the rating plate and that the electrical cable sections can withstand the load specified on the plate.
- The appliance must be connected directly to the mains placing a two pole switch with minimum opening between the contacts of 3 mm between the appliance and the mains.
- The power supply cable must not touch the hot parts and must be positioned so that it does not exceed 50°C above ambient.
- Once the appliance has been installed, the switch or socket must always be accessible.
- **If the supply cord is damaged it must be replaced by the manufacturer or its Service Agent or a similarly qualified person in order to avoid a hazard.**

**WARNING: This cooker must be connected to electrical supply using V105 insulated cable.**

**N.B. The connection of the appliance to earth is mandatory.**

If the installation requires alterations to the domestic electrical system call a qualified electrician.

He should also check that the socket cable section is suitable for the power drawn by the appliance.

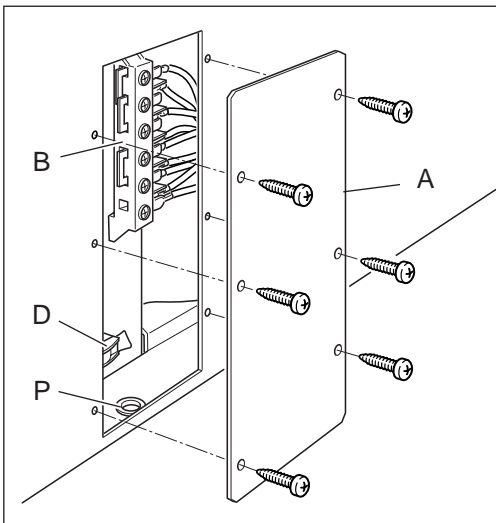
## CONNECTING THE FEEDER CABLE

To connect the feeder cable to the cooker it is necessary to:

- Remove the 6 screws that hold shield A behind the cooker.
- Open completely the cable clamp D.
- Position the U bolts onto terminal block B (fig. 1.1 - 1.2).
- Insert the feeder cable into the cable save P. The supply cable must be of a suitable size for the current requirements of the appliance.
- Connect the phase and earth cables to terminal B.
- Pull the feeder cable and block it with the cable clamp D
- Re-mount shield A.

**N.B. The earth conductor must be left about 3 cm longer than the others.**

Figure 1.1



## FEEDER CABLE SECTION type "H05RR-F"

230-240 V ~ 3 x 6 mm<sup>2</sup> (\*\*)

230-240 V3 ~ 4 x 4 mm<sup>2</sup> (\*\*)

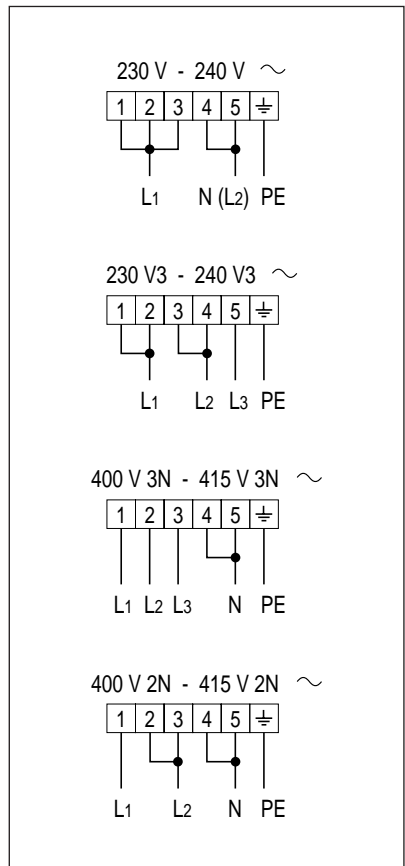
400-415 V 3N ~ 5 x 2,5 mm<sup>2</sup> (\*\*)

400-415 V 2N ~ 4 x 4 mm<sup>2</sup> (\*\*)

(\*\*) – Connection with wall box connection

– Diversity factor applied

Figure 1.2



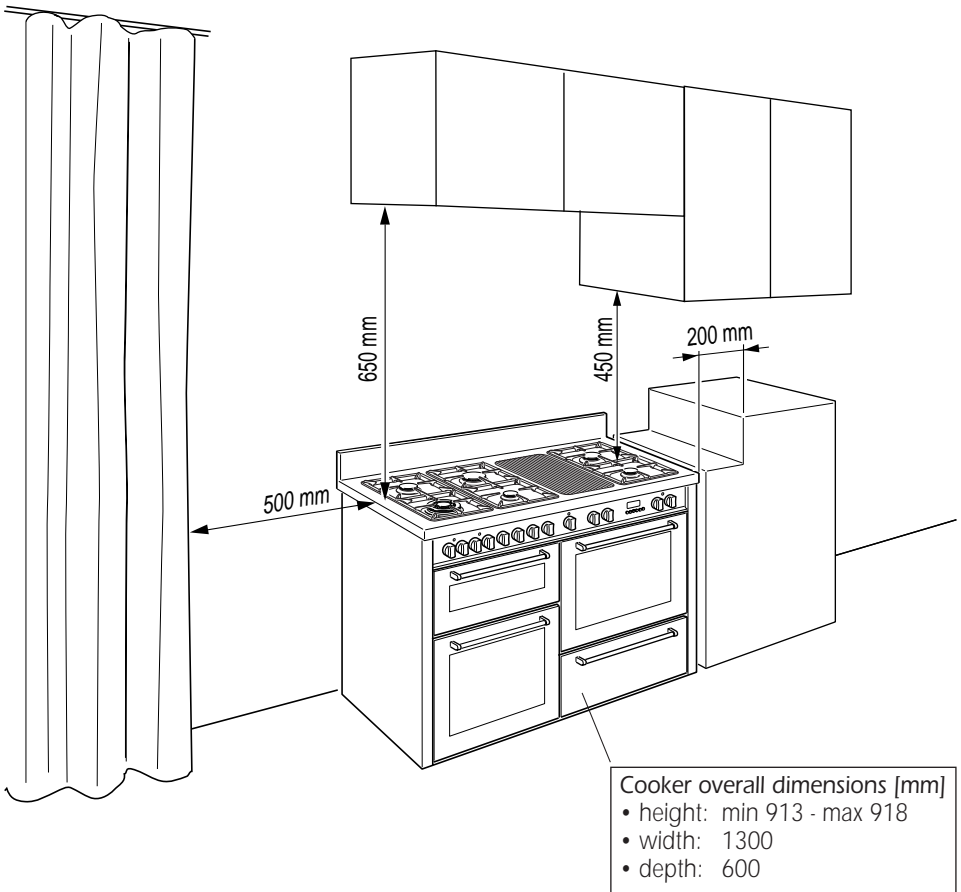
## CLEARANCES

- Installation clearances and protection of combustible surfaces shall comply with the current local regulations eg. AG 601 (AS 5601) Gas Installations code.
- Installation shall comply with the dimension in Fig 1.3 bearing in mind that

### Overhead Clearances

- In no case shall the clearances between the highest part of the cooker be less than 600mm or for an overhead exhaust fan 750mm. All other downward facing combustible surfaces less than 600mm above the cooker surface shall be protected for the full width of the cooking surface in accordance with the standards noted above. In no case shall the clearance be less than 450mm.

Figure 1.3



### Rear and Side Clearances

- Where the dimensions from the periphery of the nearest burner to any vertical combustible surface is less than 200mm the surface shall be protected in accordance with the standards to a height of not less than 150mm above the cooking surface for the full width or depth of the cooking surface
- Where the dimensions from the periphery of the nearest burner to any horizontal combustible surface is less than 200mm, the horizontal surface shall be greater than 10mm below the surface of the hob, or the horizontal surface requirement above.

### Protection of combustible surfaces.

- The standards above specify that where required protection shall ensure that the surface temperature of the combustible surface does not exceed 65°C above room temperature.

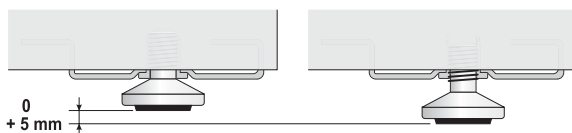
If the cooker is located on a pedestal it is necessary to provide safety measures to prevent falling out.

Before installing the cooker level the appliance by screwing or unscrewing the six adjustable feet fitted below.

### WARNING!

For safety reasons unscrew the feet (from screwed position) to the maximum extent of 5 mm (fig. 1.4).

Figure 1.4



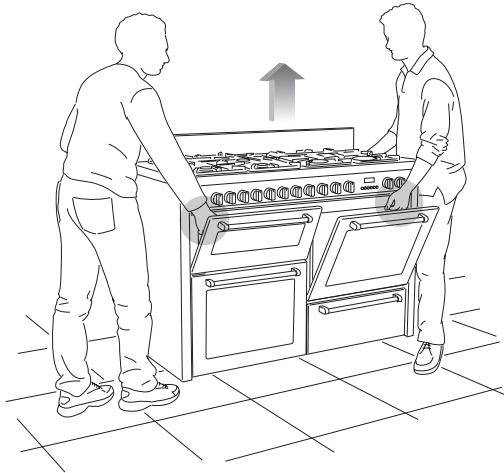


# MOVING THE COOKER

## WARNING

To move the cooker always ensure two people carry out this manoeuvre to prevent damage to the appliance (fig. 1.5).

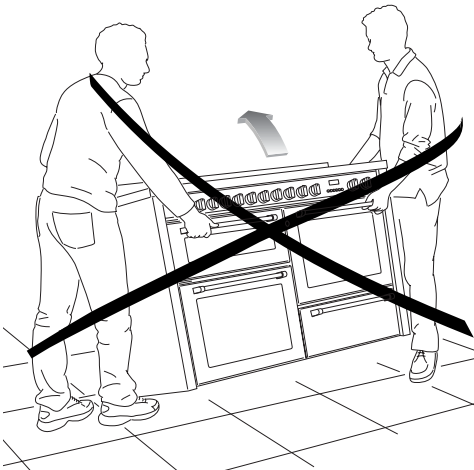
Figure 1.5



## WARNING

Be carefull: do not lift the cooker by the door handle (fig. 1.6).

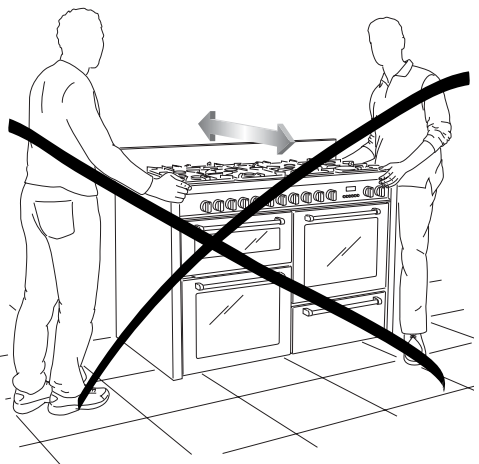
Figure 1.6



## WARNING

When moving cooker to its final position **DO NOT DRAG** (fig. 1.7). Lift feet clear of floor (fig. 1.5).

Figure 1.7

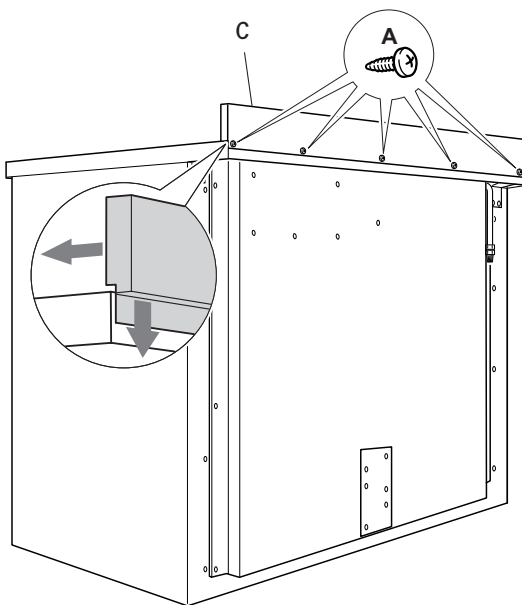


## BACKGUARD

Before installing the cooker, assemble the backguard "C" (fig. 1.8).

- The backguard "C" can be found packed at the rear of the cooker.
- Before assembling remove any protective film/adhesive tape.
- Assemble the backguard as shown in figure 1.8 and fix it by screwing the 5 screws "A".

Figure 1.8

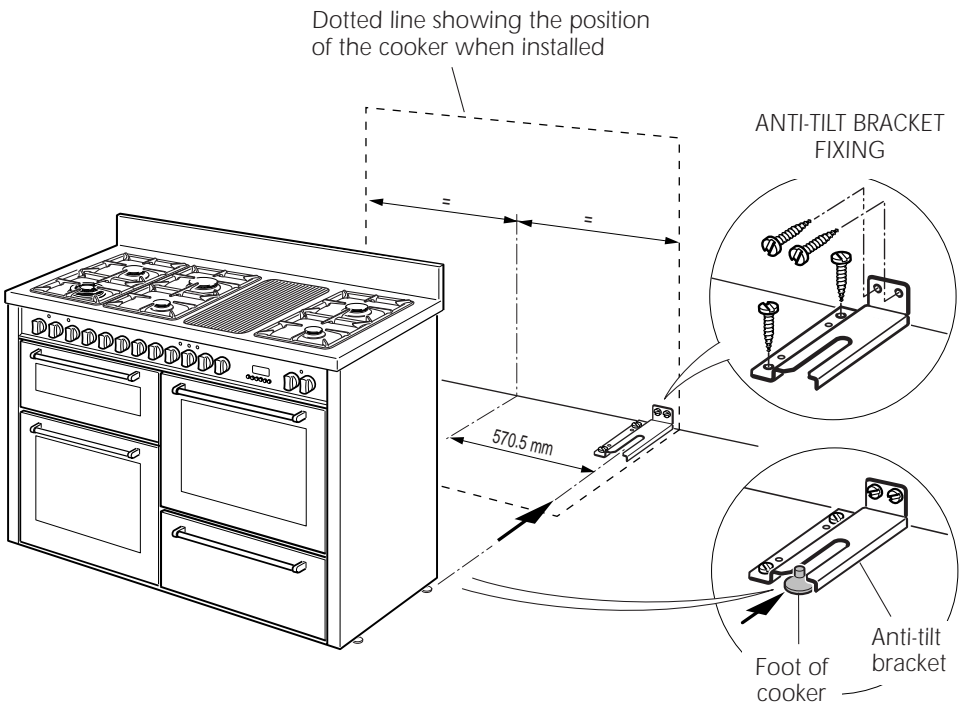


## ANTI-TILT BRACKET

■ **WARNING:** In order to prevent accidental tipping of the appliance, for example by a child climbing onto the open oven door, the stabilizing means must be installed. Please refer to instructions for installation.

1. The anti-tilt bracket has to be attached as shown on figure below, it has to be fixed on the floor and on the rear wall by no. 4 (four) suitable screws (not supplied).
2. After fixing the anti-tilt bracket, slide cooker into place. Be sure the rear right foot slides under the anti-tilt bracket attached.

Figure 1.9



## GAS SUPPLY:

- The connection must be performed by an authorised person according to the relevant standards.
- Before connecting the appliance to the gas main, mount the brass conical adaptor onto the gas inlet pipe, upon which the gasket has been placed (figures 1.10a-1.10b).  
Conical adaptor and gasket are supplied with the appliance (packed with conversion kit for use with Natural gas or Propane gas).
- This appliance is suitable for use with Natural Gas or Propane gas. (Check the "gas type" sticker attached to the appliance).
- For Natural Gas models the gas supply is connected to the pressure regulator which is supplied with the appliance (fig. 1.10b). Adjust the regulator to obtain a test point pressure of 1 kPa with one of the wok burners operating at the maximum.
- For Propane gas models the gas supply is connected to the test point adaptor which is supplied with the appliance (fig. 1.10a) and ensure that the supply pressure is regulated to 2.75 kPa.
- The connection must be made at the rear of appliance. If the connection pipe cross the cooker, it must be positioned under the cooker rear protection (fig. 1.12).
- **IMPORTANT:** Use two spanners to tighten or loosen the connecting pipe (fig. 1.11)

Figure 1.10a

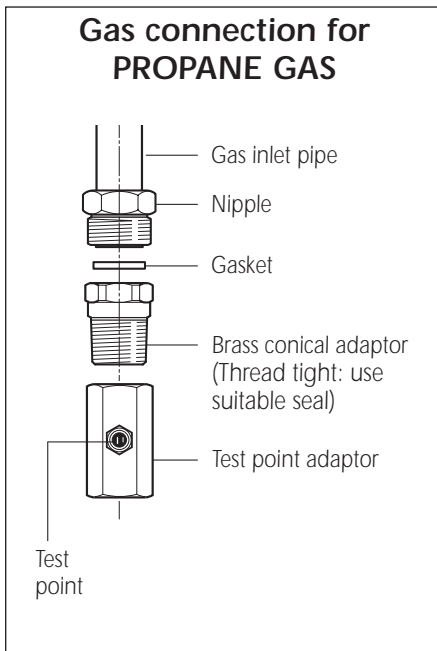
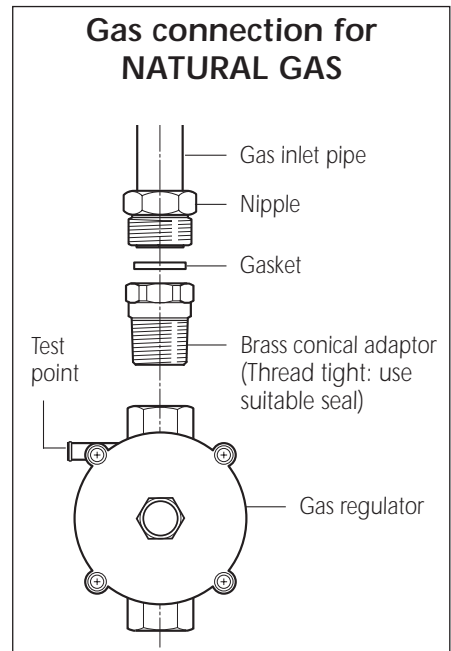


Figure 1.10b

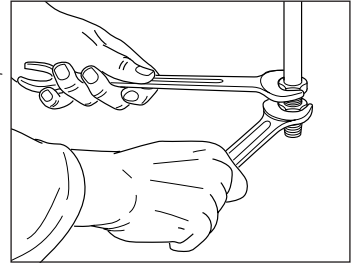


1. After connecting the gas supply, check the piping and connections for leaks using a soap and water solution. The presence of bubbles indicates a leak, tighten or replace connections as appropriate.

**Warning:** Do not use any naked flame to check for leaks.

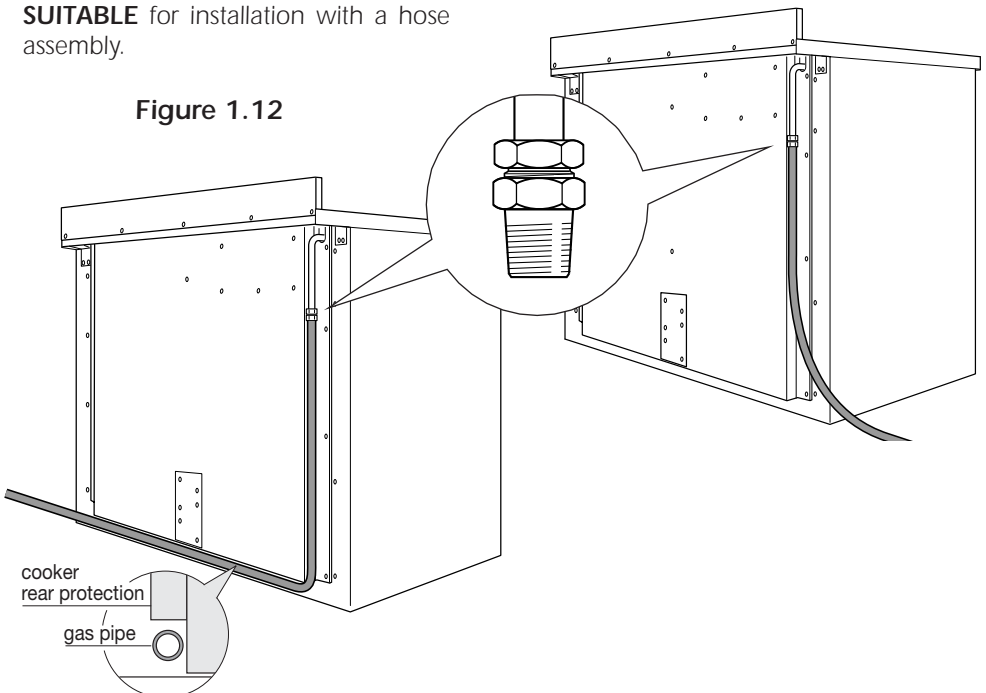
2. Adjust the test point pressure or supply pressure to the value which is appropriate for the gas type.
3. The operation of the appliance must be tested when installation is completed.
4. Turn on the appliance gas controls and light each burner individually and in combination. Check for a well defined blue flame without any yellow tipping. If any abnormality is evident then check that the burner cap is located properly and the injector nipple is aligned correctly.
5. Check the minimum burner setting by quickly rotating the gas control knob from the maximum to the minimum position, the flame must not go out. If adjustment is required carry out the "minimum burner setting adjustment" procedure described
6. If satisfactory performance cannot be obtained, the installer shall check the installation and notify the local gas supply authority for a gas supply problem, or if it is an appliance problem, our Customer Service Centre should be called to obtain the nearest authorized Delonghi Service Agent.

**Figure 1.11**



**WARNING,** This appliance **IS NOT SUITABLE** for installation with a hose assembly.

**Figure 1.12**



## CONVERSION PROCEDURE (to convert to LPG Propane) REPLACING THE INJECTORS

This appliance is suitable for use with Natural gas or Propane gas (check the “gas type” sticker attached to the appliance). A label stating the type of gas used after replacing the injectors must be attached at the rear of the appliance, in proximity of the gas inlet connection. The nominal gas consumption and injector size details are provided in table at page 16.

To replace the injectors proceed as follows:

- Remove pan supports and burners from the cooktop.
- Using a spanner, remove the injector J (fig. 1.13a, 1.13b) and replace it with one according to the gas type (see following tables - page 16).
- Affix to the rear of the appliance, in proximity of the gas inlet connections, the warning label (supplied with the conversion kit) stating that the cooker has been converted for use with Propane gas / Natural gas.

### IMPORTANT

- If the cooker is suitable for use with Natural gas and must be converted for use with Propane gas, before connecting to gas main remove the appliance gas regulator and replace with test point adaptor (see fig. 1.9-1.10)
- If the cooker is suitable for use with Propane gas and must be converted for use with Natural gas, before connecting to the gas main remove the appliance test point adaptor and replace with gas regulator (see figs. 1.9-1.10).

### NOTE:

Gas regulator and test point adaptor are supplied with the appliance (packed with conversion kit)

**The burners are designed so that regulation of primary air is not required.**

Figure 1.13a

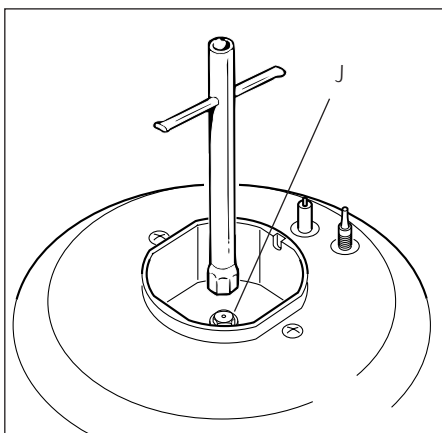
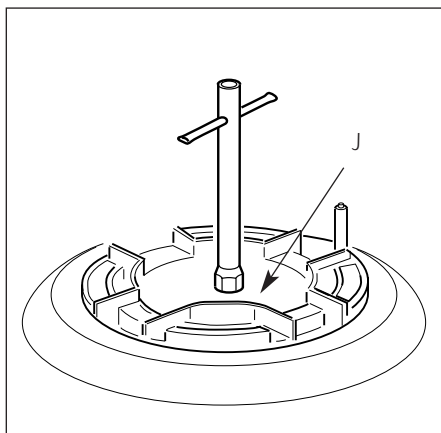


Figure 1.13b



## MINIMUM BURNER SETTING ADJUSTMENT

Check whether the flame spreads to all burner ports when the burner is lit with the gas tap set to the minimum position. If some ports do not light, increase the minimum gas rate setting.

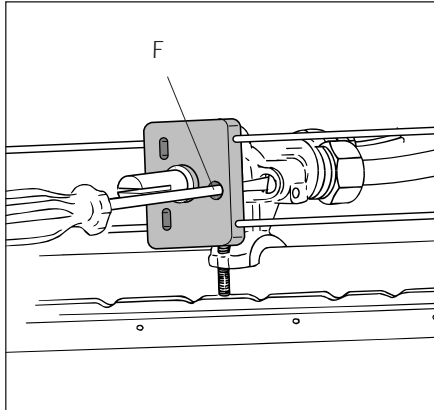
Check whether the burner remains lit even when the gas tap is turned quickly from the maximum to the minimum position. If the burner does not remain lit, increase the minimum gas rate setting.

The procedure for adjusting the minimum gas rate setting is described below.

- Turn on the burner
- Turn the tap to the MINIMUM position
- Take off the knob
- With a small flat screwdriver turn the screw "F" (fig. 1.14) to the correct regulation.

Normally for Propane gas, the regulation screw is tightened up.

**Figure 1.14**



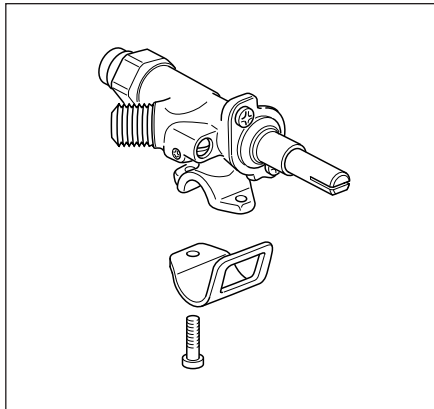
## TABLE FOR THE CHOICE OF THE INJECTORS

	Natural gas		Propane gas	
Test Point Pressure [kPa]	1.0		2.75	
BURNER	Injector Orifice Dia.	Gas Consumption	Injector Orifice Dia.	Gas Consumption
	[mm]	[MJ/h]	[mm]	[MJ/h]
Auxiliary (A)	0.85	3.60	0.53	3.60
Semi-rapid (SR)	1.12	6.30	0.70	6.30
Rapid (R)	1.45	10.30	0.91	10.80
Triple ring (TC)	1.65	13.30	0.95	11.90

## LUBRICATION OF THE GAS TAPS

- If the gas tap becomes stiff, it is necessary to dismantle it carefully and clean it with petroleum spirit. Specialist high temperature resistant grease should be used to lubricate the tap before replacing.
- The operations must be carried out by an authorised person/service agent.

Figure 1.15



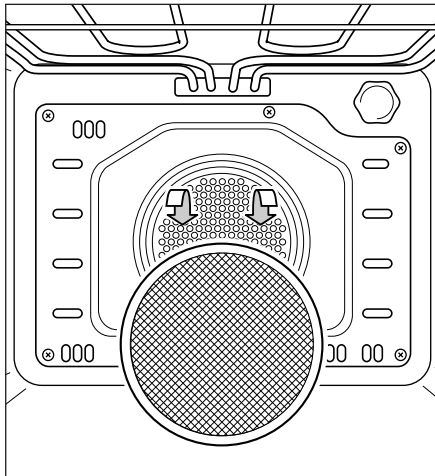


**CAUTION:**

- This appliance must be used only for the task it has explicitly been designed for, that is for domestic cooking of foodstuffs. Any other form of usage is to be considered as inappropriate and therefore dangerous.
- Do NOT place combustible materials or products on this appliance at any time.
- Do NOT spray aerosols in the vicinity of this appliance while it is in use.

**GREASE FILTER (TOP RIGHT AND BOTTOM LEFT OVEN ONLY)**

- A special screen is provided at the back of the oven to catch grease particles, mainly when meat is being roasted (fig. 2.1).
- When baking pastry etc. this filter should be removed.
- Always clean the filter after cooking as any solid residues on it might adversely affect the oven performance.

**Figure 2.1**

## USING THE TOP RIGHT AND THE BOTTOM LEFT OVEN FOR THE FIRST TIME (fig. 2.2)

- Slide off the sliding shelves to the oven wall by unscrewing the 2 screws as in Fig. 2.4. The grill is secured to the rear wall of the oven on a hinge system that allows it to be lowered to allow proper access when cleaning the oven ceiling (fig. 2.3).
- Clean the inside of the oven with a cloth soaked in water and neutral detergent and dry thoroughly.

Figure 2.2

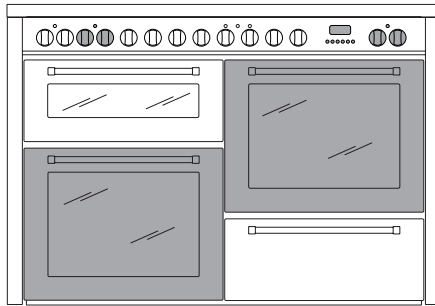
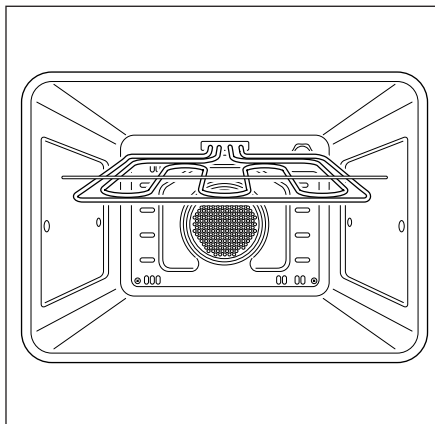


Figure 2.3



- Assemble the sliding shelves on the oven wall as in Fig. 2.4. The sliding shelves facilitate the insertion and removal of shelves during cooking; they stop when pulled out to the maximum position. These shelves support all accessory trays and are dishwasher safe.
- Slide in the grease filter on the back of the oven as in Fig. 2.1.
- Position the shelf and tray as per Fig. 2.5.
- Switch on the bottom left oven as described at page 35.
- Switch on the top right oven as described at pages 39.

Figure 2.4

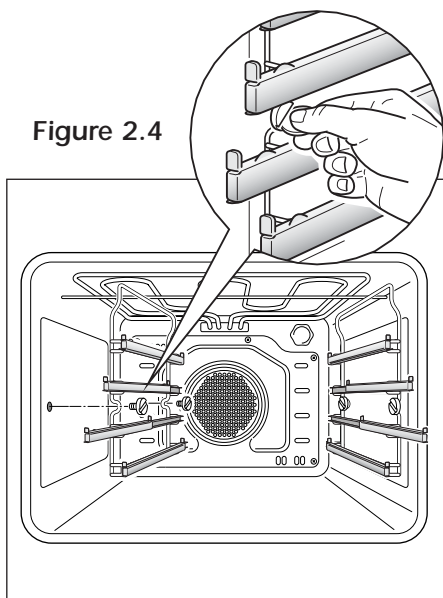
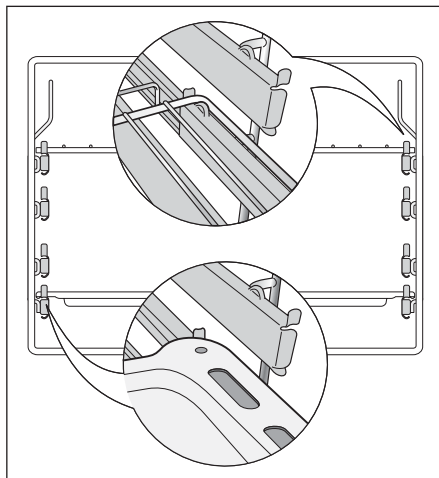


Figure 2.5



## USING THE TOP LEFT OVEN FOR THE FIRST TIME (fig. 2.6)

- Clean the inside of the oven with a cloth soaked in water and neutral detergent and dry thoroughly.
- Assemble the sliding shelves on the oven wall as in Fig. 2.7. The sliding shelves facilitate the insertion and removal of shelves during cooking; they stop when pulled out to the maximum position. These shelves support all accessory trays and are dishwasher safe.
- Position the shelf and tray as per Fig. 2.8.
- Switch on the oven as described at page 32.

Figure 2.6

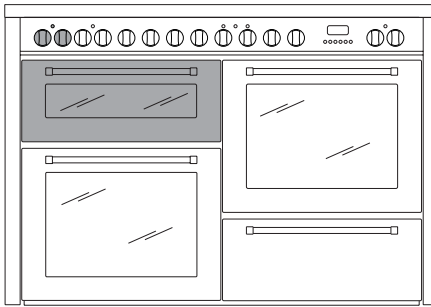


Figure 2.7

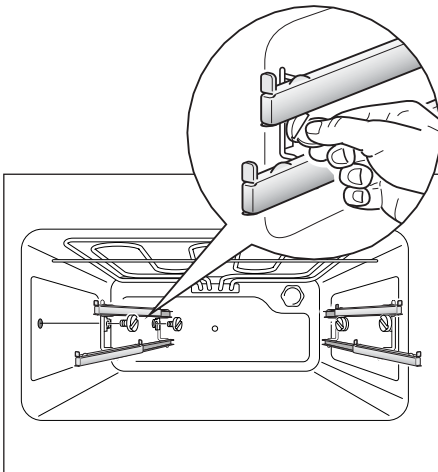
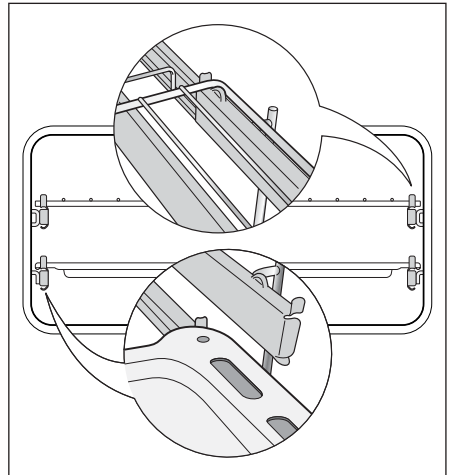


Figure 2.8



## TILTING GRILL OF THE TOP LEFT OVEN (fig. 2.11)

- The grill is secured to the rear wall of the oven on a hinge system that allows it to be lowered to allow proper access when cleaning the oven ceiling (fig. 2.11).
- In the front the grill is secured to the ceiling by a hook A.

### Unlocking the tilting grill (fig. 2.9)

1. Open the hook A.
2. Gently pull down the grill as shown in the figure 2.11.

### Locking the tilting grill (fig. 2.10)

1. Gently lift up the grill.
2. Close the hook A on the grill bar.

Figure 2.9

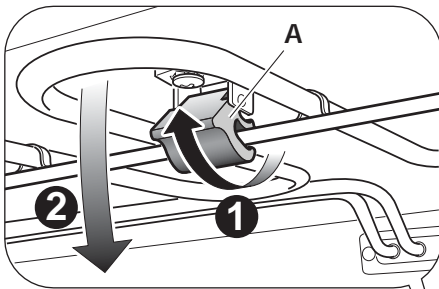


Figure 2.10

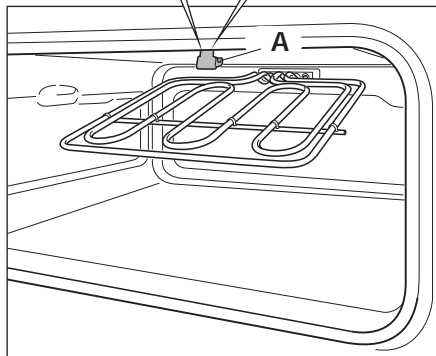
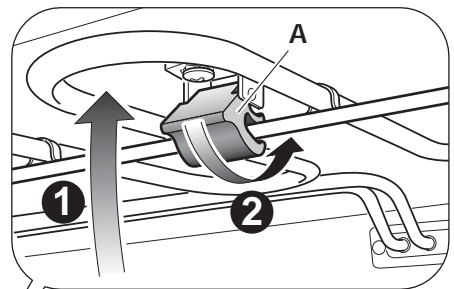
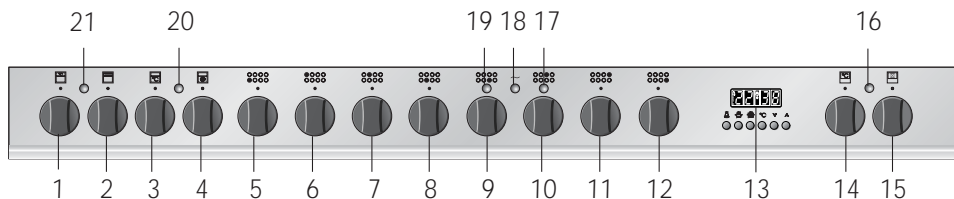


Figure 2.11

# CONTROL PANEL

Figure 2.12



## CONTROL PANEL - Controls description

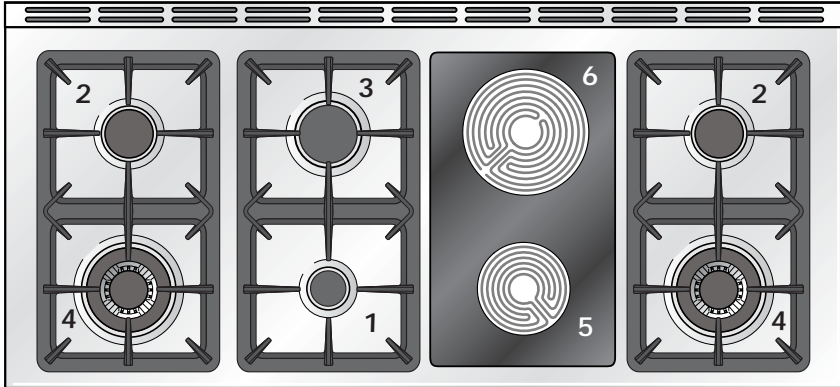
1. Conventional oven thermostat knob (top left oven)
2. Conventional oven switch knob (top left oven)
3. Fan oven thermostat knob (bottom left oven)
4. Fan oven switch knob (bottom left oven)
5. Front left triple-ring burner control knob (4)
6. Rear left semi-rapid burner control knob (2)
7. Central rear left rapid burner control knob (3)
8. Central front left auxiliary burner control knob (1)
9. Front hotplate control knob (5)
10. Rear hotplate control knob (6)
11. Rear right semi-rapid burner control knob (2)
12. Front right triple-ring burner control knob (4)
13. Electronic programmer (right main oven only)
14. Multifunction oven thermostat knob (right oven)
15. Multifunction oven switch knob (right oven)

## Pilot lamps:

16. Indicator light (right oven)
17. Rear hotplate residual heat indicator
18. Hotplates control lamp
19. Front hotplate residual heat indicator
20. Indicator light (bottom left oven)
21. Indicator light (top left oven)

**Please note:** This appliance incorporates nr. 2 safety cooling fans which you will hear operating whenever the oven or grill are in use. These fans is to reduce the external temperature of the appliance and cool the internal components.

Figure 3.1



## GAS BURNERS

	Natural Gas MJ/h	Propane gas MJ/h
1. Auxiliary burner (A)	3.6	3.6
2. Semi-rapid burner (SR)	6.3	6.3
3. Rapid (R)	10.3	10.8
4. Triple ring burner (TC)	13.3	11.9

## GLASS CERAMIC ZONES

- 5. 3 circuits hotplate Ø 145 mm - 1200 W
- 6. 3 circuits hotplate Ø 180 mm - 1700 W

### Note:

The electric ignition is incorporated in the knobs.

The appliance has a safety valve system fitted, the flow of gas will be stopped if and when the flame should accidentally go out.

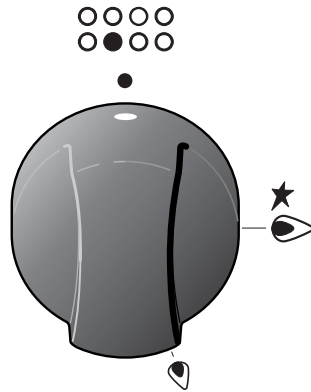
**Attention:** Do not use the ceramic zones if the glass surface is broken or cracked in any way. Please disconnect the appliance from the mains and contact the after-sales service.

# LIGHTING GAS BURNERS

## FITTED WITH SAFETY VALVE DEVICE AND ELECTRONIC IGNITION

Figure 3.2

- Check that the electricity is switched on to allow spark ignition.
- Make sure that all controls are turned to zero.
- The gas flow to the burner is controlled by taps with safety cutout device. If the burner flame should go out, the safety cut-off valve will automatically stop the gas flow. The switch for the electric ignition is incorporated in the knobs.



- You control the flow by turning the knob indicator to line up with the following symbols:
  - Symbol ● : tap closed (burner off)
  - Symbol ★🔥 : High (maximum)
  - Symbol 🔥 : Low (minimum)
- To ignite automatically, push the required knob down and turn it to maximum, keeping the knob down until the burner lights. When the flame is lit, wait for about ten second with the knob down (safety cut-off activation delay).
- You can control the temperature by the knob to “High” from “minimum”.
- To switch off, turn the knob clockwise until you hear the safety click.
- Note that, if you are using a burner at the minimum setting, you turn the knob clockwise past the maximum setting before reaching the off position.
- Whenever the lighting of the burners is difficult due to peculiar conditions of the gas features or supply, it is advised to repeat the ignition with the knob on “minimum” position.
- If when lighting any of the burners an abnormal flame appears, switch the burner off and relight using the minimum setting.
- If the flame is still not correct, turn the burner off and call our Customer Service center for your nearest Authorized Delonghi Service Agent.
- In the case of a mains failure light the burner with a match or lighted taper.

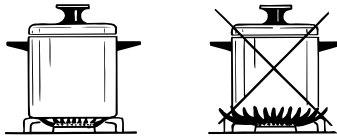


## CHOICE OF BURNER

The burner must be chosen according to the diameter of the pans and energy required.

For optimum efficiency use a wok or pan no smaller than 230mm diameter.

Figure 3.3



**do not use pans with concave or convex bases**

Burners	Pan diameter
Auxiliary	12 - 14 cm
Semi-rapid	16 - 24 cm
Rapid	24 - 26 cm
Triple ring	26 - 28 cm
Wok	max 36 cm

Saucepans with handles which are excessively heavy, in relationship to the weight of the pan, are safer as they are less likely to tip.

Pans which are positioned centrally on burners are more stable than those which are offset.

It is far safer to position the pan handles in such a way that they cannot be accidentally knocked.

When deep fat frying fill the pan only one third full of oil.

**DO NOT** cover the pan with a lid and **DO NOT** leave the pan unattended. In the unfortunate event of a fire, leave the pan where it is and turn off all controls.

Place a damp cloth or correct fitting lid over the pan to smother the flames.

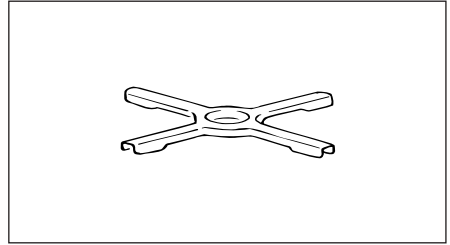
**DO NOT** use water on the fire.

Leave the pan to cool for at least 30 minutes.

## GRATE FOR SMALL PANS

- This grate (fig. 3.4) is to be placed on top of the (smaller) auxiliary burner when using small diameter pans, in order to prevent them from tipping over.

Figure 3.4



## CORRECT USE OF TRIPLE-RING BURNER

- The flat-bottomed pans are to be placed directly onto the pan-support.
- To use the WOK, you must place the wok stand in the CORRECT position as shown in Fig. 3.5 - 3.6.

### **IMPORTANT:**

The special grille for wok pans (fig. 3.5) **MUST BE PLACED ONLY** over the pan-rest for the triple-ring burner.

Figure 3.5

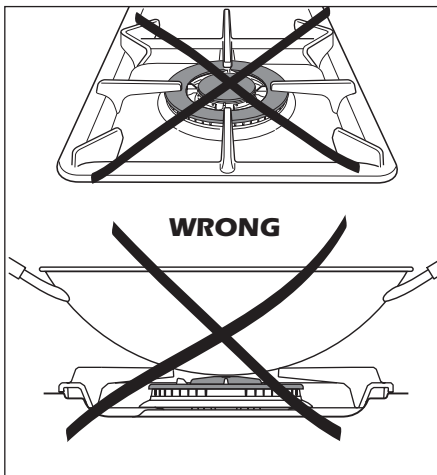
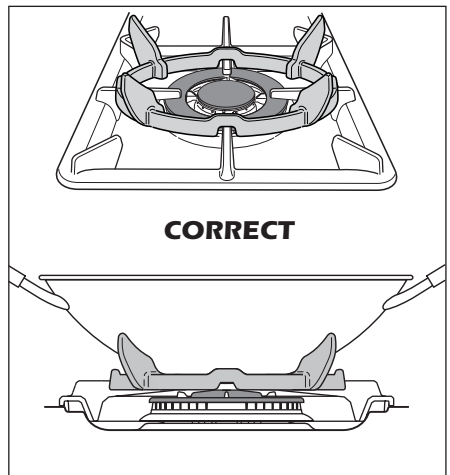


Figure 3.6



## VITROCRAMIC HOB

The ceramic surface of the hob allows a fast transmission of heat in the vertical direction, from the heating elements underneath the ceramic glass to the pans set on it. The heat does not spread in the horizontal direction, so that the glass stays "cool" at only a few centimetres from the cooking plate.

The 2 cooking zones are shown by disks on the ceramic surface.

### IMPORTANT NOTE:

The heating elements incorporate a thermolimiter that switches ON/OFF the element in all settings to protect any overheating of the ceramic glass.

The use of incorrect pans and/or wrong pan positioning will cause the temperature limiter to operate more frequently, resulting in a reduction of cooking performance.

### "3 CIRCUITS" RADIANT ZONES (Fig. 3.8)

The heating element consists of 3 electrical resistances which can operate together or separately according to the setting of the 7-position switch (fig. 3.7).

It reaches the required temperature very quickly.

Figure 3.7

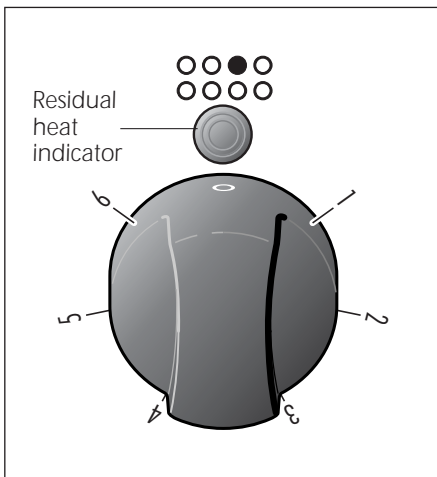
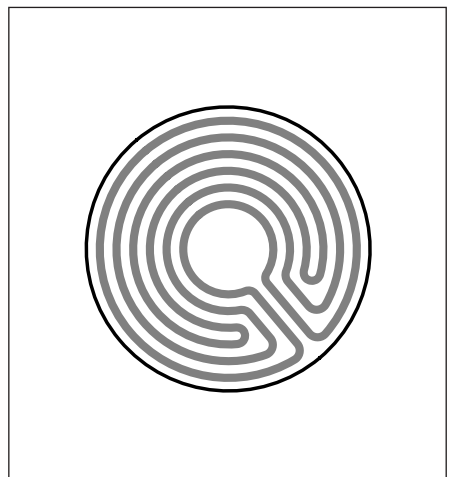
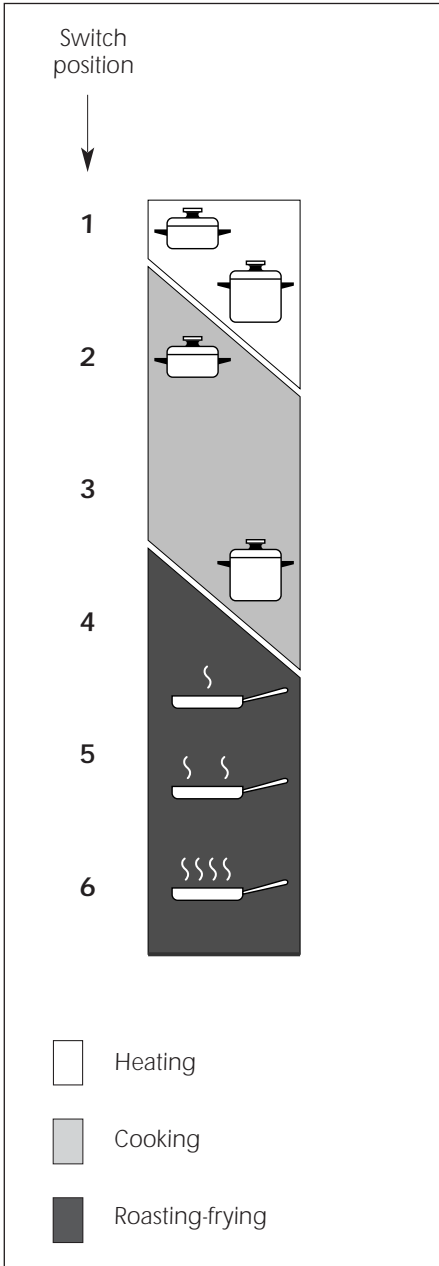


Figure 3.8



# COOKING HINTS

Figure 3.9



Switch position	TYPE OF COOKING
0	Switched OFF
1 2	For melting operations (butter, chocolate).
2	To maintain food hot and to heat small quantities of liquid (sauces, eggs).
3	To heat bigger quantities; to whip creams and sauces. (vegetables, fruits, soups).
3 4	Slow boiling, i.e.: boiled meats, spaghetti, soups, continuations of steam cooking of roasts, stews, potatoes.
4	For every kind of frying, cutlets, uncovered cooking, i.e.: risotto.
4 5	Browning of meats, roasted potatoes, fried fish, omelettes, and for boiling large quantities of water.
6	Fast frying, grilled steaks, etc.

After a short period of use, experience will teach you which setting is the right one for your needs.

## RESIDUAL HEAT INDICATOR

The appliance also features 2 warning lights (located in the control panel above the control knobs) which are connected to the corresponding plate.

When the temperature of a cooking plate is above 60°C, the relevant warning lights will also light up to warn of heat on the surface of the hob.

This light also stays on after the cooking plate has been switched off to show that the hob surface is still hot.

This residual heat will last for a long time after the cooking plate has been switched off.

**During this time you should avoid touching the hob surface over the cooking area.**

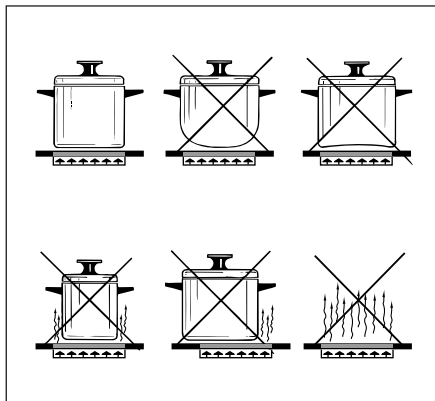
**Please pay special attention to ensure that children are not allowed near the hob.**

The light will switch off automatically as soon as the surface temperature of the cooking plate falls below 60°C.

**Caution!**  
the cooking hob becomes very hot during operation.  
Keep children well out of reach.

**Do not scratch the cooktop with cutting or sharp objects.**  
**Do not use the cooktop as a work surface.**

Figure 3.10



## COOKING HINTS:

- To reduce the cooking time, you can turn the control knob to the max when you switch the plate on. After a short time you can set the control knob to the position required for cooking.
- You should only use pots and pans with flat bases (pans with the test mark for glass-ceramic hobs are available from specialist shops). The diameter of the pan should match that of the cooking plate (or be slightly bigger) to make the most of the energy.
- Since the cooking surface will stay hot for a certain time after the plate has been switched off, you can switch it off 5 or 10 minutes before the end of the cooking. The residual heat of the hob will complete the cooking.
- To save electricity, use pan lids whenever possible.
- Never cook the food directly on the glass ceramic cooktop.

## HINTS FOR SAFE USE OF THE HOBS

- Before switching on, check which knob controls the required hob. You are advised to place the saucepan on the hob before switching on and to take it off after switching off.
- Use saucepans with an even flat bottom (be careful of cast iron saucepans). Uneven bottoms can scratch the pyroceram surface. Check that the bottom is clean and dry.
- Check that the saucepan handle does not protrude from the top to avoid knocking it over. This precaution also makes it more difficult for children to reach the saucepan.
- Do not use the top if the surface is broken or damaged.
- Do not bend over the hobs when they are on.
- Do not leave aluminium foil, greaseproof paper etc. or plastic on the hob when it is hot.
- Remember that the hobs stay hot for quite a long time (approx. 30 min.) after they have been switched off.
- Scrupulously follow the cleaning instructions.
- Do not drop heavy or sharp objects on the glass ceramic cooktop.
- If you note a crack in the cooktop, switch the appliance off immediately and call the After-Sales Service.
- Never cook the food directly on the glass ceramic cooktop, but in special pans or containers.

# CLEANING

**Before you begin cleaning make sure that the appliance is switched off.**

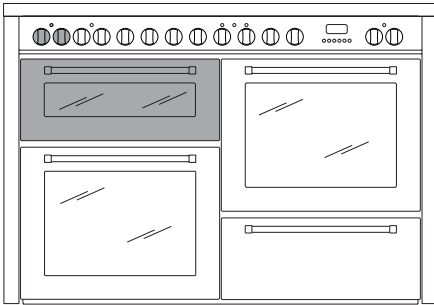
- Remove spillages and other types of incrustations.
- Dust or food particles can be removed with a damp cloth.
- If you use a detergent, please make sure that it is not abrasive or scouring. Abrasive or scouring powders can damage the glass surface of the hob.
- All traces of the cleaner must be removed with a damp cloth.
- Do not put articles on the hob which can melt: i.e plastic, aluminium foil, sugar, sugar syrup mixtures etc.
- If any of these products items have melted on the ceramic surface, you should remove it immediately (when the surface is still hot) by using a scraper to avoid any permanent damage to the surface of the hob.
- Avoid using a knife or other sharp utensils since these can damage the ceramic.
- Do not use steel wool or an abrasive sponge which could scratch the surface permanently.



## **ATTENTION: MOST IMPORTANT!**

**If cleaning the glass ceramic hob using a special scraper tool take extra care to avoid damaging the seal at the edges of the glass ceramic surface.**

**Figure 3.11**



**NOTE:**

Upon first use, it is advisable to operate the oven at the maximum temperature (thermostat knob on position MAX) for 60 minutes in the position  and for another 15 minutes in the  mode in order to eliminate any traces of grease from the electrical resistances.

**WARNING:**

The door is hot use the handle.

**GENERAL FEATURES**

The convection oven is equipped with 3 electrical heating elements:

- 2 elements (upper and lower) for normal oven cooking
- 1 grill element, on the top of the oven, for grilling which must be done with the oven door closed.

The input of the elements is:

- Upper element, 700 W
- Lower element, 1000 W
- Grill element, 2000 W

**OPERATING PRINCIPLES**

Heating and cooking in the CONVENTIONAL oven are obtained in the following ways:

**a. by normal convection**

The heat is produced by the upper and lower heating elements.

**b. by radiation**

The heat is radiated by the infra red grill element (**use with the oven door closed**).

Figure 4.1

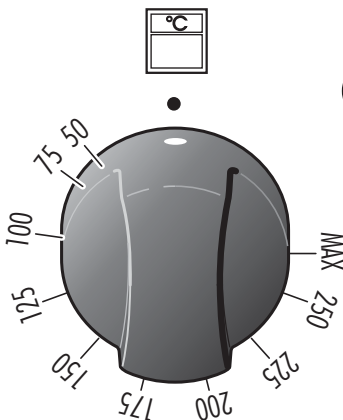
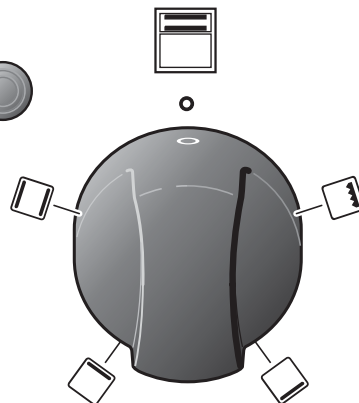


Figure 4.2





## TEMPERATURE KNOB (Fig. 4.1)

This only sets the cooking temperature and does not switch the oven on. Rotate clockwise until the required temperature is reached (from **50°C** to **MAX**).

## FUNCTION SELECTOR KNOB (Fig. 4.2)

Rotate the knob clockwise to set the oven for one of the following functions:

### OVEN LIGHT

The oven is equipped with a light that illuminates the oven to enable visually controlling the food that is cooking.

This light is controlled by the selector knob (fig. 6.2) and it remains on in all the cooking modes.



### TRADITIONAL CONVECTION COOKING

The upper and lower heating elements are switched on. The heat is diffused by natural convection and the temperature must be regulated between 50° C and 250° C with the thermostat knob.

It is necessary to preheat the oven before introducing the foods to be cooked.

#### **Recommended for:**

For foods which require the same cooking temperature both internally and externally, i. e. roasts, spare ribs, meringue, etc.



### LOWER HEATING ELEMENT

In this position only the lower element is switched on. Heat is distributed by natural convection. The thermostat can be set between 50 and 150°C; higher temperatures are not available.

#### **Recommended for:**

This mode is particularly suitable to complete cooking of dishes that require higher temperature at the bottom.



## UPPER HEATING ELEMENT

In this position only the upper element is switched on. Heat is distributed by natural convection. The thermostat can be set between 50 and 150°C; higher temperatures are not available.

### **Recommended for:**

This mode is particularly suitable to complete cooking of dishes that require higher temperature at the top.



## GRILLING

The infra-red heating element is switched on. The heat is diffused by radiation. Use with the **oven door closed** and the thermostat knob to between **50°C** and **225°C**.

For correct use see chapter "USE OF THE GRILL"

Before using the grill, preheat for about five minutes.

**Always grill with the oven door closed and do not use the grill for longer than 30 minutes at any one time.**

**Caution: The oven door becomes very hot during operation.  
Keep children well out of reach.**

### **Recommended for:**

Intense grilling action for cooking with a broiler; browning, crisping, "au gratin", toasting, etc.

## USE OF THE GRILL

Leave to warm up for approximately 5 minutes with the door **closed**. Place the food inside positioning the rack as near as possible to the grill. Insert the drip pan under the rack to collect the cooking juices.

**Grilling with the oven door closed.**

**Grilling with the oven door closed and do not for longer than 30 minutes at any one time.**

**Attention: the oven door becomes very hot during operation.  
Keep children away.**

## OVEN COOKING

Before introducing the food, preheat the oven to the desired temperature. For a correct preheating operation, it is advisable to remove the tray from the oven and introduce it together with the food, when the oven has reached the desired temperature. Check the cooking time and turn off the oven 5 minutes before the theoretical time to recuperate the stored heat.

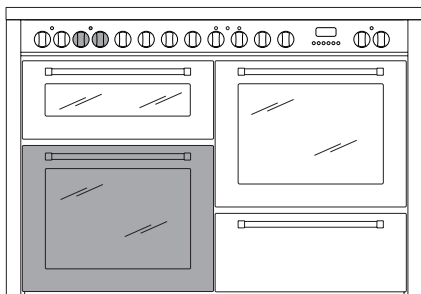
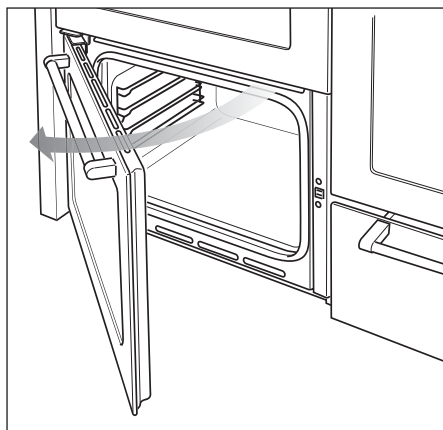


Figure 5.1



**GENERAL FEATURES**

With your new Fan oven it is possible to cook a variety of food using the 2 different cooking functions.

The 2 positions, thermostatically controlled, are obtained by 2 heating elements.

- Grill element                    2000 W
- Circular element                2200 W

**NOTE:**

Upon first use, it is advisable to operate the oven at the maximum temperature (thermostat knob on position 250) for 60 minutes in the position  and for another 15 minutes in the  mode in order to eliminate any traces of grease from the electrical resistances.

**WARNING:**

**The door is hot use the handle.**

**IMPORTANT**

To open the bottom left door operate as indicated in fig. 5.1

**OPERATING PRINCIPLES**

Heating and cooking in the **FAN** oven are obtained in the following ways:

**a. by forced convection**

A fan sucks in the air contained in the oven muffle, which sends it through the circular heating element and then sends it back through the muffle. Before the hot air is sucked back again by the fan to repeat the described cycle, it envelops the food in the oven, provoking a complete and rapid cooking.

It is possible to cook several dishes simultaneously.

**b. by radiation**

The heat is irradiated by the infra red grill element.

Figure 5.2

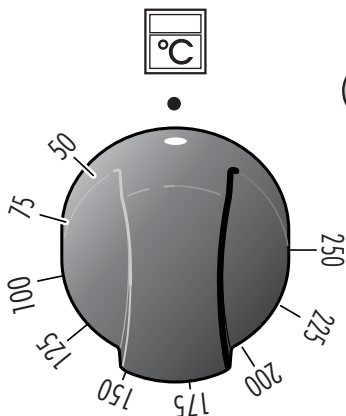
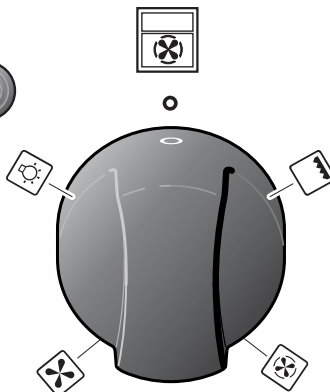


Figure 5.3



## TEMPERATURE KNOB (Fig. 5.2)

This only sets the cooking temperature and does not switch the oven on. Rotate clockwise until the required temperature is reached (from 50 to 250°C).

## FUNCTION SELECTOR KNOB (Fig. 5.3)

Rotate the knob clockwise to set the oven for one of the following functions:



### OVEN LIGHT

By setting the knob to this position the oven light will come on. (15 W). The oven remains alight while any of the functions is on.



### DEFROSTING FROZEN FOODS

Only the oven fan is on.

To be used with the thermostat knob on "●" because the other positions have no effect. The defrosting is done by simple ventilation without heat.

### Recommended for:

To rapidly defrost frozen foods; 1 kilogram requires about one hour.

The defrosting times vary according to the quantity and type of foods to be defrosted.



## HOT AIR COOKING


The circular element and the fan are on. The heat is diffused by forced convection and the temperature must be regulated between 50° and 250 °C with the thermostat knob. It is not necessary to preheat the oven.

### Recommended for:

For foods that must be well done on the outside and tender or rare on the inside, i. e. lasagna, lamb, roast beef, whole fish, etc.



## GRILLING

The infra-red heating element is switched on. The heat is diffused by radiation. Use with the function selector knob to position  and the thermostat knob **between 50°C and the 225°C position maximum** and with the oven door closed.

For correct use see chapter "USE OF THE GRILL"

Before using the grill, preheat for about five minutes.

**Always grill with the oven door closed and do not use the grill for longer than 30 minutes at any one time.**

**Caution: The oven door becomes very hot during operation.  
Keep children well out of reach.**


### Recommended for:

Intense grilling action for cooking with a broiler; browning, crisping, "au gratin", toasting, etc.

## COOKING ADVICE


### STERILIZATION

Sterilization of foods to be conserved, in full and hermetically sealed jars, is done in the following way:

- a. Set the switch to position .
- b. Set the thermostat knob to position 185 °C and preheat the oven.
- c. Fill the dripping pan with hot water.
- d. Set the jars onto the dripping pan making sure they do not touch each other and the door and set the thermostat knob to position 135 °C.

When sterilization has begun, that is, when the contents of the jars start to bubble, turn off the oven and let cool.

## REGENERATION

Set the switch to position  and the thermostat knob to position 150° C. Bread becomes fragrant again if wet with a few drops of water and put into the oven for about 10 minutes at the highest temperature.

## ROASTING

To obtain classical roasting, it is necessary to remember:

- that it is advisable to maintain a temperature between 180 and 200 °C.
- that the cooking time depends on the quantity and the type of foods.

## OVEN COOKING

Before introducing the food, preheat the oven to the desired temperature.

For a correct preheating operation, it is advisable to remove the tray from the oven and introduce it together with the food, when the oven has reached the desired temperature.

Check the cooking time and turn off the oven 5 minutes before the theoretical time to recuperate the stored heat.

## SIMULTANEOUS COOKING OF DIFFERENT FOODS

The **FAN** consents a simultaneous heterogeneous cooking of different foods. Different foods such as fish, cake and meat can be cooked together without mixing the smells and flavours together. This is possible since the fats and vapours are oxidized while passing through the electrical element and therefore are not deposited onto the foods.

The only precaution to follow are:

- The cooking temperatures of the different foods must be as close to as possible, with a maximum difference of 20° - 25 °C.
- The introduction of the different dishes in the oven must be done at different times in relation to the cooking times of each one.

The time and energy saved with this type of cooking is obvious.

## USE OF THE GRILL

Leave to warm up for approximately 5 minutes with the door **closed**.

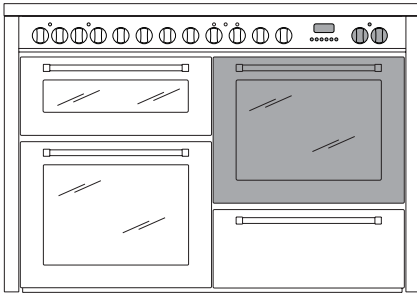
Place the food inside positioning the rack as near as possible to the grill.

Insert the drip pan under the rack to collect the cooking juices.

**Grilling with the oven door closed.**

**Grilling with the oven door closed and do not for longer than 30 minutes at any one time.**

**Attention: the oven door becomes very hot during operation.  
Keep children away.**

**WARNING:**

The door is hot, use the handle.

**OPERATING PRINCIPLES**

Heating and cooking in the MULTI-FUNCTION oven are obtained in the following ways:

**a. by normal convection**

The heat is produced by the upper and lower heating elements.

**b. by forced convection**

The fan draws in air contained within the oven housing at the rear of the oven and forces it over the circular heating element. The hot air envelops the food in the oven giving faster and more even cooking before it is drawn back into the housing to repeat the cycle. It is possible to cook several dishes simultaneously due to the even distribution of heat within the oven.

**c. by forced semi-convection**

The heat produced by the top and bottom heating elements is distributed throughout the oven by the fan.

**d. by radiant heat**

The food is grilled by the infra red grill element.

**e. by radiant heat and ventilation**

The food is grilled by the grill element is distributed throughout the oven

**f. by ventilation**

The food is defrosted by using the fan only function without heat.

**GENERAL FEATURES**

As its name indicates, this is an oven that presents particular features from an operational point of view.

In fact, it is possible to insert 7 different programs to satisfy every cooking need.

The 7 positions, thermostatically controlled, are obtained by 4 heating elements which are:

- Bottom element            1300 W
- Top element                1000 W
- Grill element                2000 W
- Circular element            2200 W

**NOTE:**

To eliminate traces of grease in manufacture it is necessary to pre-heat the oven at the maximum temperature.




- For 60 minutes in the  position, for 30 minutes in the  position, and for another 15 minutes in the  position.

Figure 6.1

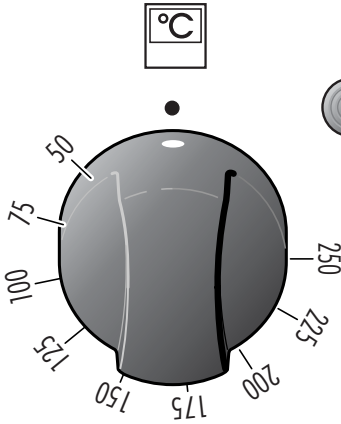
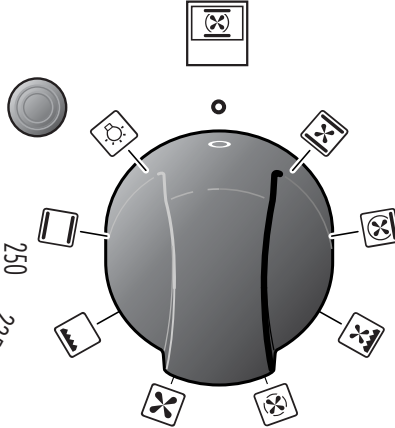


Figure 6.2



## THERMOSTAT (Fig. 6.1)

This only sets the cooking temperature and does not switch the oven on. Rotate clockwise until the required temperature is reached (from 50 to 250°C). The elements will turn ON or OFF automatically according to the energy need which is determined by the thermostat.

## FUNCTION SELECTOR KNOB (Fig. 6.2)

Rotate the knob clockwise to set the oven for one of the following functions:



### OVEN LIGHT

By setting the knob to this position, only the oven light comes on (15 W). The light remains on whilst any of the cooking modes are selected.



### TRADITIONAL CONVECTION COOKING

The upper and lower heating elements are switched on. The heat is diffused by natural convection and the temperature must be set between 50° C and 250° C. It is necessary to preheat the oven before adding the foods to be cooked.

### Recommended for:

For foods which require the same cooking temperature both internally and externally, i. e. roasts, spare ribs, meringue, etc.





## GRILLING

The infra-red heating element is switched on. The heat is diffused by radiation. Use with the **oven door closed** and the thermostat knob to between **50°** and **225°C**.

**Note: It is recommended that you do not grill for longer than 30 minutes at any one time.**

**Attention: the oven door becomes very hot during operation. Keep children away.**

For correct use see "USE OF THE GRILL"

### **Recommended for:**

Intense grilling action for cooking with a broiler; browning, crisping, "au gratin", toasting, etc.



## DEFROSTING FROZEN FOODS

Only the oven fan is on. To be used with the temperature knob on "●" because the other positions will have no effect. The defrosting is done by simple ventilation without heat.

### **Recommended for:**

To rapidly defrost frozen foods; 1 kilogram requires about one hour.

The defrosting times vary according to the quantity and type of foods to be defrosted.



## HOT AIR COOKING

The circular element and the fan are on. The heat is diffused by forced convection and the temperature must be set between 50° and 250 °C.

It is not necessary to preheat the oven.

### **Recommended for:**

For foods that must be well done on the outside and tender or rare on the inside, i. e. lasagna, lamb, roast beef, whole fish, etc.



## VENTILATED GRILL COOKING

The infra-red ray grill and the fan are on.

The heat is mainly diffused by radiation and the fan then distributes it throughout the oven.

The temperature must be regulated between **50° and 200°C maximum** with the thermostat knob. It is necessary to preheat the oven for about 5 minutes.

Use with the oven door closed.

**Note: It is recommended that you do not grill for longer than 30 minutes at any one time.**

**Attention: the oven door becomes very hot during operation.**

**Keep children away.**

For correct use see "GRILLING AND "AU GRATIN".

### **Recommended for:**

For grill cooking when a fast outside browning is necessary to keep the juices in, i. e. veal steak, steak, hamburger, etc.



## THAWING AND WARMING UP

The upper element and the circular element connected in series, are switched on; also the fan is on. The heat is diffused by forced convection with the most heat being produced by the upper element.

The temperature must be set between 50° and 140 °C.

### **Recommended for:**

To keep foods hot after cooking. To slowly heat already cooked foods.



## CONVECTION COOKING WITH VENTILATION

The upper and lower heating elements and the fan turn on.

The heat coming from the top and bottom is diffused by forced convection.

The temperature must be set between 50° and 250 °C.


### **Recommended for:**

For foods of large volume and quantity which require the same internal and external degree of cooking; for ie: rolled roasts, turkey, legs, cakes, etc.

# COOKING ADVICE

## STERILIZATION

Sterilization of foods to be preserved, in full and hermetically sealed jars, is done in the following way:

- a. Set the switch to position .
- b. Set the thermostat knob to position 185 °C and preheat the oven.
- c. Fill the dripping pan with hot water.
- d. Set the jars onto the dripping pan making sure they do not touch each other and the door and set the thermostat knob to position 135 °C.

When sterilization has begun, that is, when the contents of the jars start to bubble, turn off the oven and let cool.

Check your recycle book for full instructions.

## REGENERATION

Set the switch to position  and the thermostat knob to position 150° C.

Bread becomes fragrant again if wet with a few drops of water and put into the oven for about 10 minutes at the highest temperature.

## ROASTING

To obtain classical roasting, it is necessary to remember:

- that it is advisable to maintain a temperature between 180° and 200 °C.
- that the cooking time depends on the quantity and the type of foods.

## SIMULTANEOUS COOKING OF DIFFERENT FOODS

The MULTI-FUNCTION oven set on position  and  gives simultaneous cooking of different foods.

Different foods such as fish, cake and meat can be cooked together without mixing the smells and flavours.


This is possible since the fats and vapours are oxidized while passing through the electrical element and therefore are not deposited onto the foods.

The only precautions to follow are:

- The cooking temperatures of the different foods must be as close to as possible, with a maximum difference of 20° - 25 °C.
- The introduction of the different dishes in the oven must be done at different times in relation to the cooking times of each one.

This type of cooking saves time and energy.

## GRILLING AND "AU GRATIN"

As the hot air completely covers the food to be cooked, grilling may be done with the food on rack in the oven. The knob should be switched to position .

Set the thermostat knob **between 50°C and 200°C maximum** and after having preheated the oven, simply place the food on the grid.

**Close the door** and let the oven operate until grilling is done.

Adding a few dabs of butter before the end of the cooking time gives the golden "au gratin" effect.

**Grilling with the oven door closed.**

**It is recommended that you do not grill for longer than 30 minutes at any one time.**

**ATTENTION: the oven door becomes very hot during operation.**

**Keep children away.**

## USE OF THE GRILL

Set the function selector knob to position  and the thermostat knob **between 50°C and 225°C maximum**.

Leave to warm up for approximately 5 minutes with the door **closed**.

Introduce the food to be cooked, positioning the grill pan as close to the grill as possible.

Insert the drip pan under the rack to collect the cooking juices.

**Always grill with the oven door closed.**

**Grilling with the oven door closed and do not for longer than 30 minutes at any one time.**

**Attention: the oven door becomes very hot during operation.**

**Keep children away.**

## OVEN COOKING

Before introducing the food, preheat the oven to the desired temperature.

For a correct preheating operation, it is advisable to remove the tray from the oven and introduce it together with the food, when the oven has reached the desired temperature.







Check the cooking time and turn off the oven 5 minutes before the theoretical time to recuperate the stored heat.

## ELECTRONIC PROGRAMMER (Right main oven only)

The electronic programmer is a device which groups together the following functions:

- 24 hours clock with illuminated display
- Timer (up to 23 hours and 59 minutes)
- Program for automatic oven cooking (right oven only)
- Program for semi-automatic oven cooking (right oven only)


### Description of the buttons:

-  Timer
-  Cooking time
-  End of cooking time
-  Manual position and cancellation of the inserted cooking program
-  Plus function to increase the number shown on the display
-  Minus function to decrease the number shown on the display or to change the buzzer frequency


### Description of the illuminated symbols:

**AUTO** -flashing - Programmer in automatic position but not programmed



**AUTO** - always illuminated - Programmer in automatic position with program inserted.

 Automatic cooking taking place

 Timer in operation

 and **AUTO** - flashing - Program error.  
(The time of day lies between the calculated cooking start and end time).

### Note:




Select a function by the respective button and, in 5 seconds, set the required time with the  /  buttons ("one-hand" operation).

A power cut makes the clock go to zero and cancels the set programs.


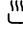
Figure 6.3




## ELECTRONIC CLOCK (fig. 6.4)

The illuminated figures on the clock represent hours and minutes on 24 hour clock. When first connected, or after a power failure, three zeros will flash on the display. To set the time press the  button and then the  or . Please note that changing the hour button deletes any cooking program.

## NORMAL COOKING WITHOUT THE USE OF THE PROGRAMMER

To manually use the multifunction main oven without the aid of the programmer, it is necessary to cancel the flashing AUTO by pushing the button  (AUTO will be switched off and the symbol  will come on - Fig. 6.5).

**Attention:** If the **AUTO** symbol is steady a cooking program has already been programmed, by pushing the button  you have cancelled of the program and the switched to manual.

If the oven is switch on, you must switch off manually.

Figure 6.4

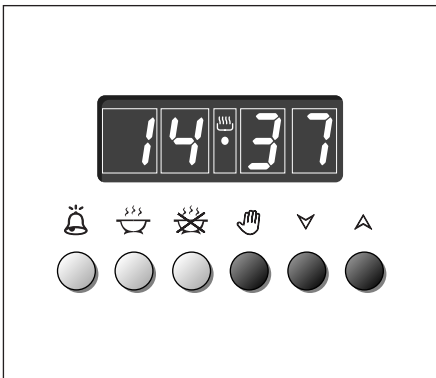
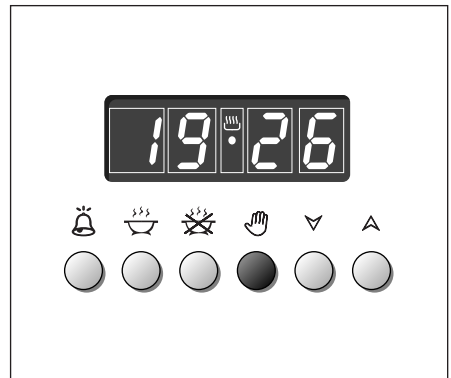






Figure 6.5





## ELECTRONIC TIMER


The timer program consists only of a buzzer which may be set for a maximum period of 23 hours and 59 minutes.

If **AUTO** is flashing on the panel, push the  button.

To set the time, push the  button and the  or  until you obtain the desired time in the panel (fig. 6.6).

Having finished the setting, the clock hour will appear on the panel and the  symbol will be lighted.

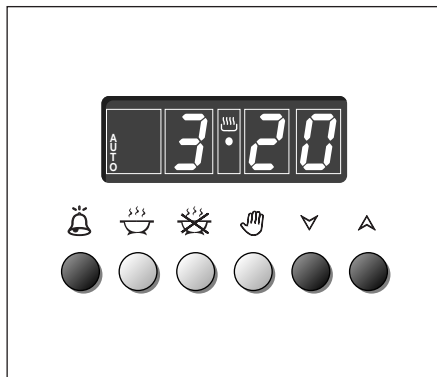
The countdown will start immediately and may be seen at any moment on the panel by simply pressing the button .

At the end of the time, the  symbol will be switched off and an intermittent buzzer will go off; this can be stopped by pressing any of the buttons.

## SETTING THE FREQUENCY OF THE AUDIBLE SIGNAL

The selection from 3 possibilities of sound can be made by pressing the  button.

Figure 6.6






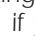




## AUTOMATIC OVEN COOKING

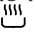

To cook food automatically in the oven, it is necessary to:


1. Set the length of the cooking time
2. Set the end of the cooking time
3. Set the temperature and the oven cooking program.


These operations are performed as follows:

1. Set the length of the cooking time by pushing the  button and the  button to advance, or  to go back if you have passed the desired time (fig. 6.7).  
The **AUTO** and the  symbol will be on.
2. Set the end of the cooking time by pressing the  button (the cooking time already added to the clock time will appear), and the  button (fig. 6.8); if you pass the desired time you may get back by pushing the  button.  
After this setting, the  symbol will go off. If after this setting, the **AUTO** flashes on the panel and a buzzer sounds, it means there was an error in the programming. In this case, modify the end of cooking time or the cooking time itself by following again the mentioned instructions above.
3. Set the temperature and the cooking program by using the switch and thermostat knobs of the oven (see specific chapters).

The oven is now set to turn on and off at the programmed times.

During cooking, the  symbol remains on. By pushing the  button you can see the time that remains until the end of cooking.

The cooking program may be cancelled in any time by pushing .

At the end of the cooking time the oven will turn off automatically, the  symbol will turn off, **AUTO** will flash and a buzzer will sound, which can be turned off by pushing any of the buttons.




Turn the temperature and thermostat knobs to zero and set the programmer to "manual" by pressing the .

**Attention:** A power failure makes the clock go to zero and cancels the set programs. After a power failure, three zeros will flash on the panel.







## SEMI - AUTOMATIC COOKING

This function is only used to set the END of the cooking time of the oven. There are two ways of setting this function.

1. Set the length of the cooking time by pushing the  button and the  button to advance, or  to go backwards (Fig. 6.7). This sets the desired "stop" time.



or


2. Set the end of the cooking time by pushing the  button and the  button to advance, or  to go backwards if you have passed the desired time (Fig. 6.8).


**AUTO** and the  symbol will be on.

Then set the temperature and the cooking program using the oven switch and thermostat knob (see relevant sections for details).

The oven is switched on and it will be switched off automatically at the end of the desired time.

During cooking, the  symbol remains on and by pressing the button  you can see the time that remains till the end of the cooking.

The cooking time can be cancelled at any time by pushing the  button.

At the end of the cooking, the  symbol will turn off, the **AUTO** will flash and a buzzer will sound. The buzzer can be cancelled by pressing any of the buttons.


Turn the temperature and thermostat knobs to zero and set the programmer to "manual" by pressing the  button.

Figure 6.7

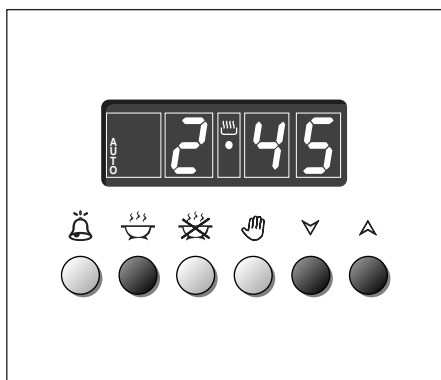
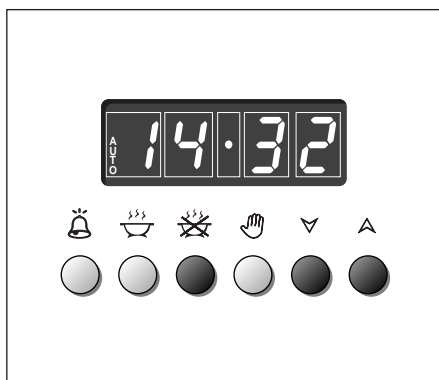


Figure 6.8



## Cooking chart

### RECOMMENDED COOKING TEMPERATURE

Food	°C	°F	Gas Mark	Shelf Position*	Cooking Time (approx)
<b>CAKES</b>					
Victoria sandwich	190	375	5	2 or 3	20-25 mins
Small cakes/buns	190	375	5	1 and 2	15-20 mins
Maidera cake	180	350	4	2 or 3	20 mins
Fruit cake	170	325	3	3	1 <sup>3</sup> / <sub>4</sub> hours
Rich fruit cake	150	300	2	3 or 4	2 <sup>1</sup> / <sub>2</sub> hours
Scones	225	425	8-9	2	8-10 mins
<b>PASTRY</b>					
Puff	225	425	8-9	2	10-20 mins
Short crust	200	400	6	2	20-30 mins
Plate tarts	200-210	400-410	6	1 or 2	30-35 mins
Quiches and flans	200-210	400-410	6	1 or 2	40-45 mins
<b>YEAST</b>					
Bread loaf	225	425	7-8	2	35-55 mins
Bread rolls	220	425	7	1 or 2	15-20 mins
Pizza dough	230	450	8	2	20 mins
<b>ROAST MEAT</b>					
Beef – Medium	190	375	5	2 or 3	20 mins/lb + 20 mins
Lamb	190	375	5	2 or 3	25-30 mins/b + 25 mins
Pork	190-200	375-400	5-7	2 or 3	30 mins/lb + 30 mins
Veal	190	375	5	2 or 3	30 mins/b + 30 mins
Chicken	190	375	5	2 or 3	30 mins/b + 30 mins
Turkey up to 10lb	180	350	4	2 or 3	18-20 mins/b + 20 mins
Stews/casseroles	150-170	300-325	2-3	2 or 3	1 <sup>1</sup> / <sub>2</sub> 2 hours

**N.B.** For fan ovens reduce the temperature by 10-20°C. For any dish taking one hour or over to cook, reduce the cooking time by 10 minutes per hour.

\* Shelf positions have been counted from the top of the oven to the base. A fan oven creates more even temperature throughout, therefore the shelf positions are not as critical.

Maintenance Period	Description
Daily	<ul style="list-style-type: none"> <li>• Clean gas cooktop as per instructions below</li> </ul>
Monthly	<ul style="list-style-type: none"> <li>• Remove burner caps, burner rings &amp; base and clean using non abrasive detergent &amp; rinse in cold water &amp; dry thoroughly before replacing back on hob</li> <li>• Clean ignitor tip &amp; thermocouple using damp soapy cloth and dry thoroughly</li> </ul>
3 - 4 Yearly	<ul style="list-style-type: none"> <li>• Contact your local authorized gas Service Agent to perform a thorough check on all gas components on the gas cooker</li> </ul>

## GENERAL ADVICE

- **Before you begin cleaning, you must ensure that the appliance is switched off.**
- It is advisable to clean when the appliance is cold and especially when cleaning the enamelled parts.
- Avoid leaving alkaline or acidic substances (lemon juice, vinegar, etc.) on the surfaces.
- Avoid using cleaning products with a chlorine or acidic base.
- **Do not use a steam cleaner because the moisture can get into the appliance thus make it unsafe.**

## ENAMELLED PARTS

- All of the enamelled parts must be washed only with a sponge and soapy water or with non-abrasive products.
- Dry, preferably, with chamois.

## STAINLESS STEEL SURFACES (COATED)

- The stainless steel front panels on this cooker (facia, oven doors, drawer) are protected by a finger-print proof lacquer. To avoid damaging this lacquer, do not clean the stainless steel with abrasive cleaners or abrasive cloths or scouring pads.
- **ONLY SOAP/WARM WATER MUST BE USED TO CLEAN THE STAINLESS STEEL SURFACES.**

## **STAINLESS STEEL SURFACES (UNCOATED)**

- The hob + sides are made from un-coated stainless steel.
- Can be cleaned with an appropriate stainless steel cleaner.

## **CLEANING THE VITROCERAMIC HOB**

- See page 31.

## **OVEN**

- The oven with smooth enamel must be cleaned after every use, using suitable products. Please note that after using the oven for 30 minutes on the highest temperature eliminates most grime reducing it to ashes.
- For cleaning the oven ceiling pull down the tilting grill as described on pages 18 and 21.
- Do not use abrasive substances to clean the oven.

## **GREASE FILTER (BOTTOM LEFT AND TOP RIGHT OVEN ONLY)**

- Clean the filter after any cooking! The grease filter can be removed for cleaning and should be washed regularly in hot soapy water (see page 17).
- Always dry the filter properly before fitting it back into the oven.

## **GRILL HEATING ELEMENT**

- The heating element is self-cleaning and does not require maintenance.

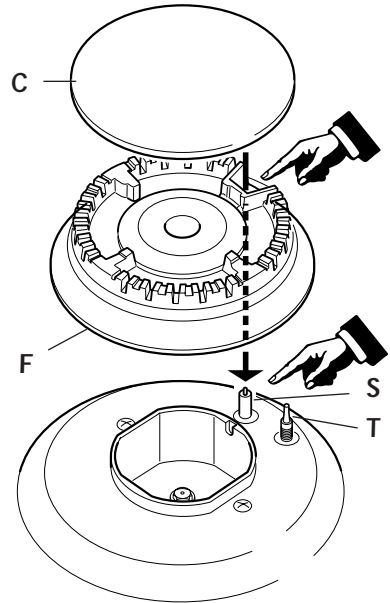
## **GAS TAPS**

- If the gas taps are not working properly, call our Customer Service Centre to obtain the nearest Authorized De Longhi Service Agent.

## BURNERS

- They can be removed and washed only with soapy water. Detergents can be used but must not be abusive or corrosive.
- Do not use abrasive sponges or pads.
- Do not put in dishwasher.
- After each cleaning, make sure that the burner flame distributor **F** and the cap **C** has been correctly positioned (fig. 8.1) - failure to do so can cause serious problems.
- It is essential to check that the burner flame distributor **F** and the cap **C** has been correctly positioned (fig. 8.1) - failure to do so can cause serious problems.
- Check that the electrode **S** (fig. 8.1) is always clean to ensure trouble-free sparking.
- Check that the probe **T** (fig. 8.1) next to each burner is always clean to ensure correct operation of the safety valves. Both the probe and ignition plug must be very carefully cleaned.

Figure 8.1



### Note:

The electrode **S** must be very carefully cleaned. To avoid damage to the electric ignition do not use it when the burners are not in place.

## TRIPLE RING BURNER

- The triple ring burner must be correctly positioned (see fig. 8.2); the burner rib must be located in position as shown by the arrow.
- The burner correctly positioned must not rotate (fig. 8.3).
- Then position the cap **A** and the ring **B** (fig. 8.3).

Figure 8.2

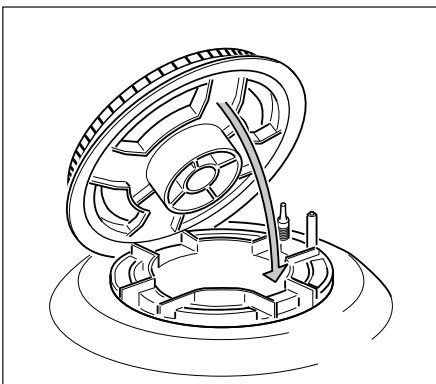
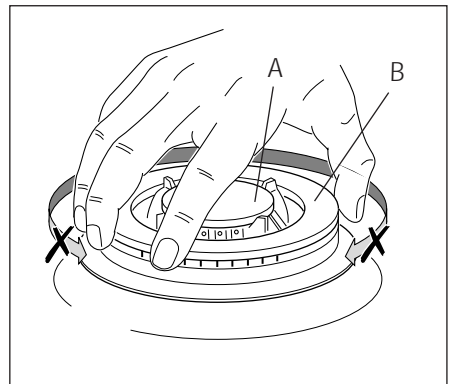


Figure 8.3



## CLEANING THE INSIDE OF THE OVENS

- The ovens must be cleaned after every use. Please note that after using the oven for 30 minutes on the highest temperature eliminates most grime reducing it to ashes.
- To cleaning remove the sliding shelves as described on the following pages:
  - pages 18-19 for bottom left oven and top right oven
  - page 20 for top left oven
- With the oven warm, wipe the inside walls with a cloth soaked in very hot soapy water or another suitable product.
- Do not use abrasive substances to clean the oven.

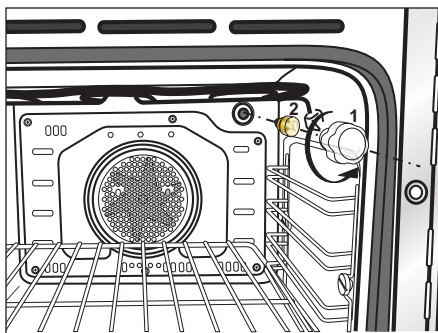
## REPLACING THE OVEN LIGHT

- **Before any maintenance is started involving electrical parts of the appliance, it must be disconnected from the power supply.**
- Let the oven cavity and the heating elements cool down;
- Switch off the electrical supply;
- Unscrew the protective cover (fig. 8.4);
- Unscrew and replace the bulb with a new one suitable for high temperatures (300°C) having the following specifications: 230-240V 50Hz, 15W, E14
- Refit the protective cover

**Note: Oven bulb replacement is not covered by your guarantee.**

**WARNING: Ensure the appliance is switched off before replacing the lamp to avoid the possibility of electric shock.**

Figure 8.4



## REMOVING THE BOTTOM LEFT OVEN DOOR

The oven door can easily be removed as follows:

- Open the door.
- Unscrew the 4 screws of the bottom hinge (fig. 8.7)
- Hold the door and unscrew the 3 screws of the upper hinge (fig. 8.6).
- Remove the door following the arrow **C** (fig. 8.6 - 8.7)
- Rest the door on a soft surface.
- To replace the door, repeat the above steps in reverse order.

## DRAWER

- The drawer (fig. 8.5) comes out like a normal drawer.

**Do not store flammable material in the oven or in the drawer.**

Figure 8.5

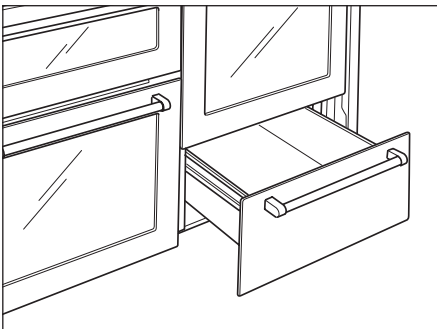


Figure 8.6

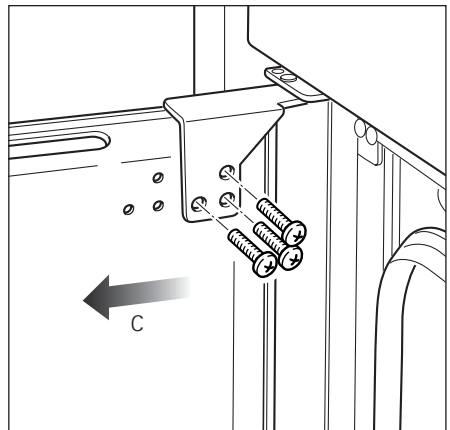
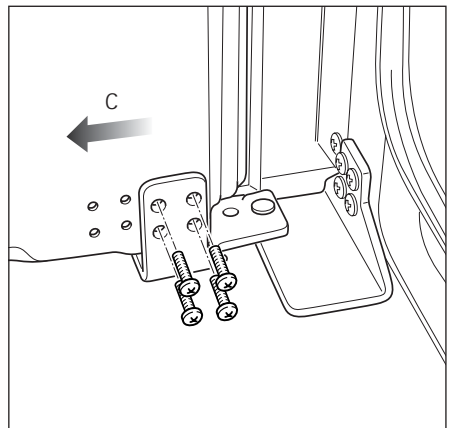


Figure 8.7



## REMOVING THE OVEN DOORS (top left and right ovens)

The oven doors can easily be removed as follows:

- Open the door to the full extent (fig. 8.8a).
- Open the lever "A" completely on the left and right hinges (fig. 8.8b).
- Hold the door as shown in fig. 8.8.
- Gently close the door (fig. 8.8) until left and right hinge levers "A" are hooked to part "B" of the door (fig. 8.8b)
- Withdraw the hinge hooks from their location following arrow "C" (fig. 8.8d).
- Rest the door on a soft surface.
- To replace the door, repeat the above steps in reverse order.

Figure 8.8

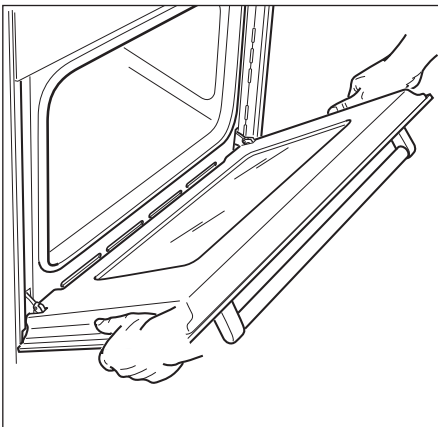


Figure 8.8a

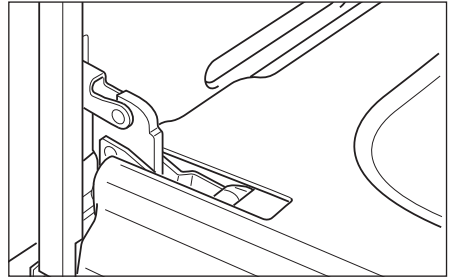


Figure 8.8b

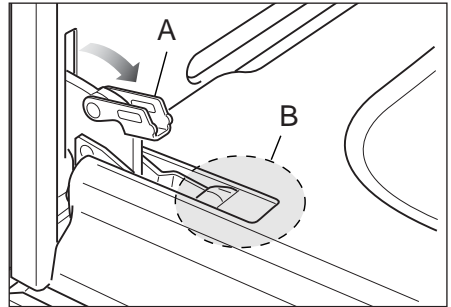


Figure 8.8c

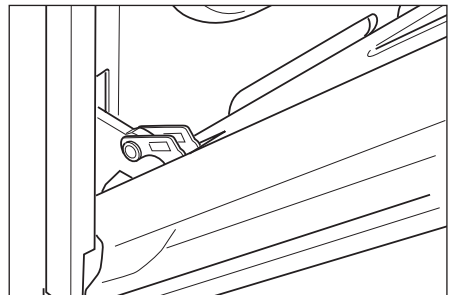
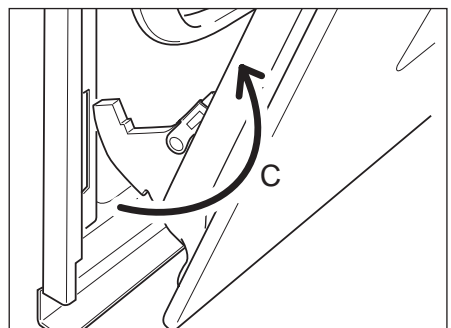


Figure 8.8d





## Service and Maintenance

If the ignition spark fails to ignite or does not light the gas, check the following items before calling our Customer Service Centre to obtain the nearest Authorised Service Agent:

- Burner is reassembled and located correctly.
- Spark electrode and white ceramic are clean and dry.
- 240 VAC power supply is connected.

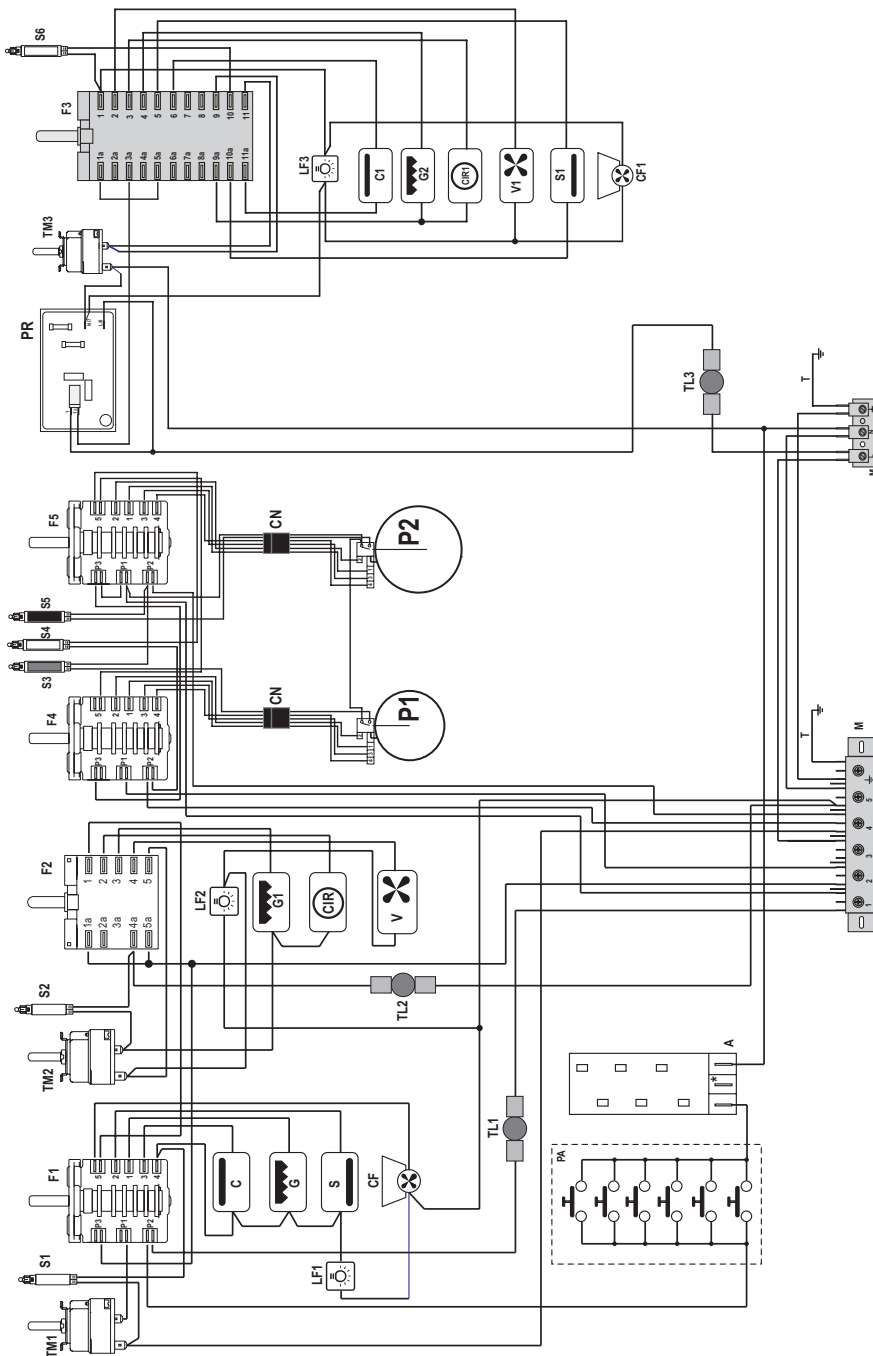
Contact the local gas utility or our Customer Service Centre to obtain the nearest Authorized Service Agent.

- You can smell gas when all burners are turned on.
- The burners do not remain alight at the minimum marked setting.
- The burner flame is yellow or emits an unusual odour.

Note that a bi-annual inspection of the appliance by an authorized service agent or your local gas utility will ensure many years of trouble free operation of your appliance.

Descriptions and illustrations in this booklet are given as simply indicative. The manufacturer reserves the right, considering the characteristics of the models described here, at any time and without notice, to make eventual necessary modifications for their construction or for commercial needs.

# WIRING DIAGRAM



## ELECTRIC DIAGRAM KEY

### BOTTOM LEFT OVEN

- F2 Oven switch
- TM2 Oven thermostat
- S2 Thermostat pilot lamp
- LF2 Oven lamp
- G1 Grill element
- C1R Circular element
- V Fan
- TL2 Thermal overload
- CF Cooling fan
- M Terminal block
- T Earth connection

### RIGHT OVEN

- F3 Oven switch
- TM3 Oven thermostat
- LF3 Oven lamp
- CF Cooling fan
- PR Oven programmer
- C1 Top element
- G2 Grill element
- V1 Fan
- S1 Bottom element
- C1R1 Circular element
- S6 Thermostat pilot lamp
- TL3 Thermal overload

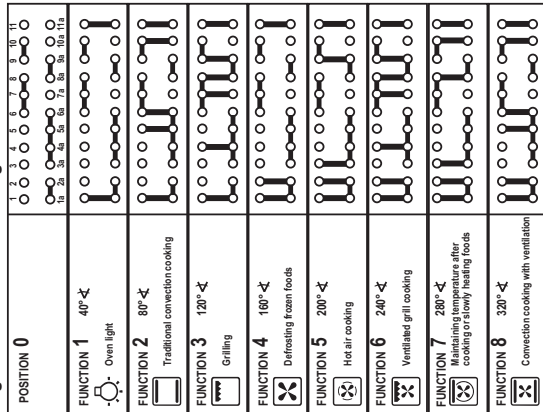
### COOKING HOB

- A Ignition coil
- PA Ignition switches group
- F3/4 Radiant heaters switch
- P1 Radiant heaters 1700 W
- P2 Radiant heaters 1200 W
- S3 Residual heat lamp
- S4 Line pilot lamp
- S5 Residual heat lamp
- CN Connectors
- M Terminal block
- T Earth connection

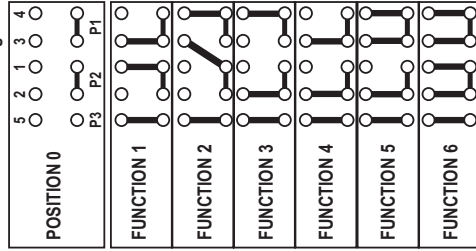
### TOP LEFT OVEN

- F1 Oven switch
- TM1 Oven thermostat
- S1 Line pilot lamp
- LF1 Oven lamp
- C Top element
- G Grill element
- S Bottom element
- TL1 Thermal overload

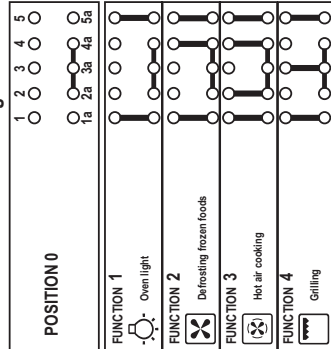
### Right main oven switch diagram



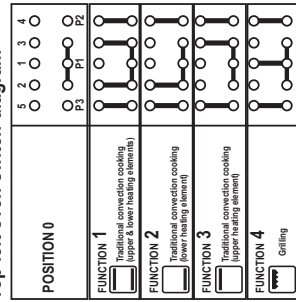
### Radiant heaters switch diagram



### Bottom left oven switch diagram



### Top left oven switch diagram



Rif. 1639.6



*Living innovation*

Cod. 1102531 - B4

## Free Manuals Download Website

<http://myh66.com>

<http://usermanuals.us>

<http://www.somanuals.com>

<http://www.4manuals.cc>

<http://www.manual-lib.com>

<http://www.404manual.com>

<http://www.luxmanual.com>

<http://aubethermostatmanual.com>

Golf course search by state

<http://golfingnear.com>

Email search by domain

<http://emailbydomain.com>

Auto manuals search

<http://auto.somanuals.com>

TV manuals search

<http://tv.somanuals.com>