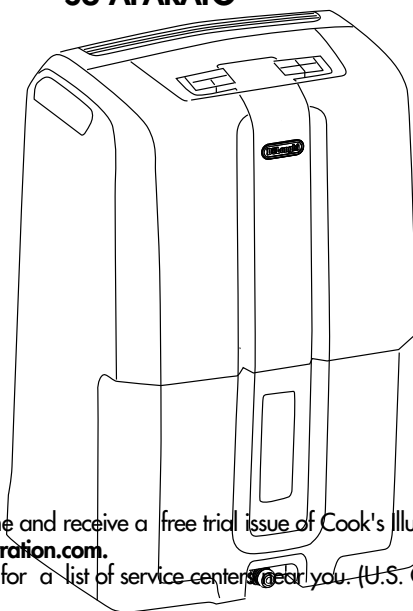


DD40P - DD45 - DD45P - DD50P

**DEHUMIDIFIER
INSTRUCTION MANUAL
SAVE THESE INSTRUCTIONS**

**DÉSHUMIDIFICATEUR
MODE D'EMPLOI
CONSERVEZ CE MODE D'EMPLOI**

**DESHUMIDIFICADOR
INSTRUCCIONES DE USO
CONSERVE ESTAS INSTRUCCIONES
LEA CUIDADOSAMENTE ESTE INSTRUCTIVO ANTES DE USAR
SU APARATO**



Register this product on-line and receive a free trial issue of Cook's Illustrated.
Visit: www.delonghiregistration.com.
Visit: www.delonghi.com for a list of service centers near you. (U.S. Only)

Enregistrez ce produit en ligne et recevez un numéro gratuit de Cook's Illustrated.
Visitez: www.delonghiregistration.com.
Visitez: www.delonghi.com pour y voir une liste des centres de réparation proches de chez vous. (É.-U. uniquement)

Registre este producto en línea y reciba un ejemplar gratis de Cook's Illustrated.
Visite: www.delonghiregistration.com.
Visite: www.delonghi.com para ver la lista de centros de servicios cercanos a usted (solamente en los Estados Unidos)

DeLonghi

ELECTRONIC CHARACTERISTICS/CARACTÉRISTIQUES ÉLECTRONIQUES
CARACTERÍSTICAS ELÉCTRICAS
115 V~60Hz 680W

SOME NOTIONS ON HUMIDITY

Air always contains a certain amount of water in the form of vapour. This determines the level of humidity in an atmosphere.

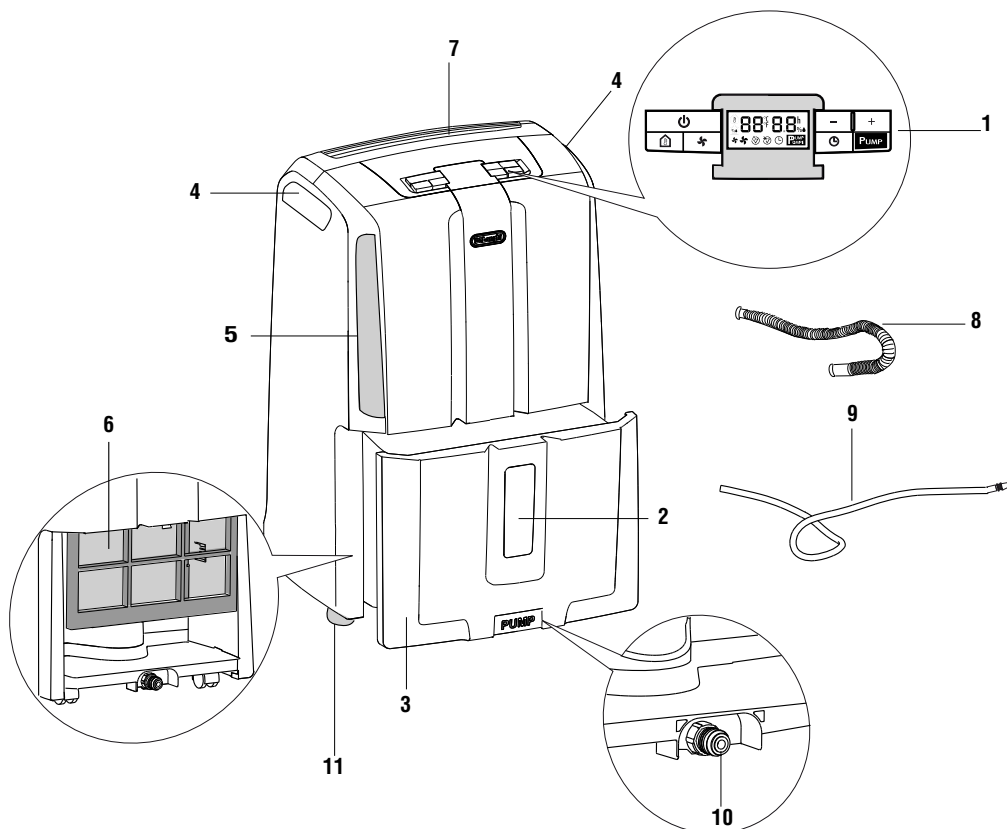
The capacity of the air to hold water vapour increases with temperature.

This is why in our homes, as soon as the temperature decreases, the vapour contained in the air condenses, as is evident on the colder surfaces in the room, such as the windows, walls etc.

The purpose of a dehumidifier is to remove the excess moisture from the air, avoiding the damage caused by condensation.

DESCRIPTION/ACCESSORIES

1. Control panel
2. Water level viewing window
3. Condensate collection tank
4. Handles
5. Air intake grille
6. Dust filter
7. Air outlet grille
8. Drain hose to be used at the back of the unit
9. Pump tube to be used at the front of the unit
10. Connector for PUMP draining (first remove stopper)
11. Wheels



INTRODUCTION

Thank you for choosing a De'Longhi product. Take a couple of minutes to read these instructions. This will avoid danger or damage to the appliance.

Symbols used in these instructions

These symbols draw your attention to important warnings.

It is vital to respect these warnings.

Failure to do so may result in electric shock, serious injury, burns, fire or damage to the appliance.



Danger!

Failure to observe this warning may result in life threatening injury by electric shock.



Important!

Failure to observe this warning may result in injury or damage to the appliance.



This symbol draws your attention to important recommendations and informatio

Problems and repairs

In the event of problems, first try and resolve them by reading the information given in the "Troubleshooting" section on page 9.

If the appliance requires repair, always contact a Center authorized by the manufacturer.

Always insist on original spare parts. Repairs carried out by unauthorized personnel may be dangerous and invalidate the guarantee.

IMPORTANT SAFEGUARDS

Fundamental safety warnings



Danger! This is an electrical appliance, it is therefore important to respect the following safety warnings:

- Do not touch the appliance with wet hands.
- Do not touch the plug with wet hands.
- Make sure the outlet used is always accessible, enabling you to unplug the appliance when necessary.
- Always unplug the appliance using the plug itself. Never pull the cable as it might be damaged.
- To disconnect the appliance completely from the electricity supply, you must unplug it from the outlet.
- If the appliance malfunctions, do not attempt to repair it yourself. Turn the appliance off, unplug from the outlet socket and contact a Service Center.
- Do not move the appliance by pulling the power cable.
- It is dangerous to modify or alter the characteristics of the appliance in any way.
- If the power cable is damaged, it must be replaced by the manufacturer or an authorized technical service center in order to avoid all risk.
- Do not use extension cords.
- The appliance must be installed in accordance with the rules on household appliances in force in the country concerned.
- This appliance is not intended for use for water damage restoration of commercial/household properties.
- The appliance must be connected to a properly grounded outlet. Have your electrical circuit checked by a qualified electrician.



Danger! Keep packaging materials (plastic bags, polystyrene foam) out of reach of children.



Danger! The appliance is not intended for use by persons (including children) with reduced physical, sensory or mental capabilities, or lack of experience and knowledge, unless they have been given supervision or instruction concerning use of the appliance by a person responsible for their safety. Always supervise children. Make sure they do not play with the appliance.

SAVE THESE INSTRUCTIONS

THIS PRODUCT IS FOR
HOUSEHOLD ONLY

Appropriate use

The appliance is designed and produced for domestic use only.

Use this appliance only as described in this instruction manual.

As with all electrical equipment, the instructions aim to cover as many eventualities as possible.

However, caution and common sense should be applied when operating and installing this appliance.

General safeguards

- Do not install the appliance in rooms containing gas, oil or sulphur. Do not install near sources of heat.
- Do not use the appliance on sloping surfaces.
- Keep the appliance at least 2 ft (61cm) away from flammable substances (alcohol etc) or pressurised containers (e.g. aerosol cans).
- Do not rest heavy or hot objects on top of the appliance.
- Always transport the appliance upright, NOT on its side.

Remember to drain the condensate tank before moving the appliance.

If the appliance was transported on its side, you must wait at least 6 hours before using it (24 hrs is recommended).

ENVIRONMENTAL INFORMATION: This unit contains fluorinated greenhouse gases covered by the Kyoto Protocol. Avoid perforating the refrigerant circuit of the appliance.

Maintenance and disposal must be carried out by qualified personnel only (R410A, GWP=1975).

- The materials used for packaging can be recycled.
You are therefore recommended to dispose of them in special differentiated waste collection containers.
- Do not use the appliance outdoors.
- Do not use the appliance in laundry rooms.

Instructions

Read these instructions carefully before installing and/or using the appliance.

- Keep these instructions.
If the appliance is transferred to other owners, they should also be given these instructions.
- Failure to respect the instructions may result in injury or damage to the appliance.
The manufacturer is not liable for damage deriving from failure to follow these instructions.

Electrical connections

Before plugging the appliance into the outlet, check that:

- The outlet, power supply corresponds to the working voltage indicated on the rating plate.
- The power outlet, and electrical circuit are adequate for the appliance.
- The power outlet, matches the plug. If this is not the case, have the plug replaced by a qualified electrician;
- The outlet is properly grounded.

INSTALLATION

Position the appliance in the room to be dehumidified. A free space of at least 2 ft (61 cm) must be left at the front of the dehumidifier, so as not to block the air outlet.

For efficient ventilation a space of about 2-4 in (5-10 cm) should be left at the back of the appliance. The condensate can be drained in one of the following ways:

A) Draining into the tank

The condensate can be drained directly into the tank. The tank can be easily removed (fig.1). When the tank is full, remove (fig.1) and empty it into a sink. When finished, replace it properly.

NOTE: The tank must be positioned properly for the unit to function.

If you hear the intermittent sound of the beep, it means the tank is not in the proper position.

B) Continuous external draining

If the appliance is to be operated for long periods but you are unable to empty the tank regularly, you are recommended to use continuous draining.

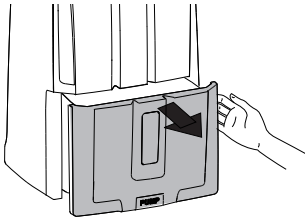


fig. 1

- 1) Remove the continuous drain cap **1** by turning it counterclockwise then remove the rubber stopper from the spout **2** (fig. 2).

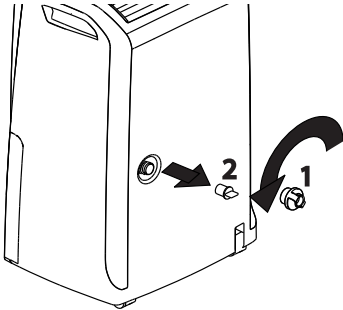


fig. 2

- 2) Insert the drain cap **1** in the condensate drain hose (8) till the end (fig. 3) then screw the cap into the spout. (fig. 4).

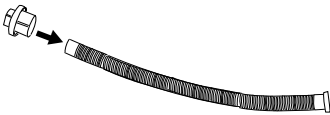


fig. 3

- 3) Make sure the end of the hose is no higher than the spout (Fig. 3) or water could remain in the tank. Make sure there are no kinks in the hose (Fig. 5).

i Keep the rubber stopper to close the spout.

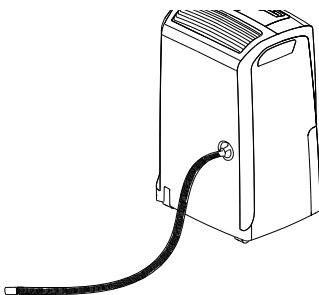


fig. 4

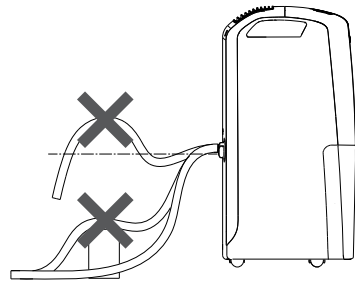


fig. 5

C) Continuous draining using the pump (only on pump models)

The patented heavy-duty pump system allows water removal of up to 13 ft (4m) in height. If you want the water to flow directly to a drain, connect the condensation discharge tube supplied (9) to the connection pipe located on the lower front part of the unit (you will first need to remove the stopper labeled PUMP) (fig. 6). Select the dehumidifying function and press the PUMP button.

Note: With the condensation discharge hose missing and the pump switched ON, the display will show the symbol PUMP blinking.

To eliminate this problem:

- Check the hose is correctly positioned;
- Disconnect and reconnect the plug.

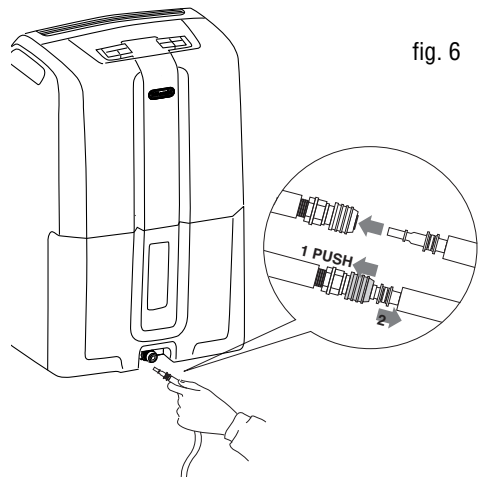
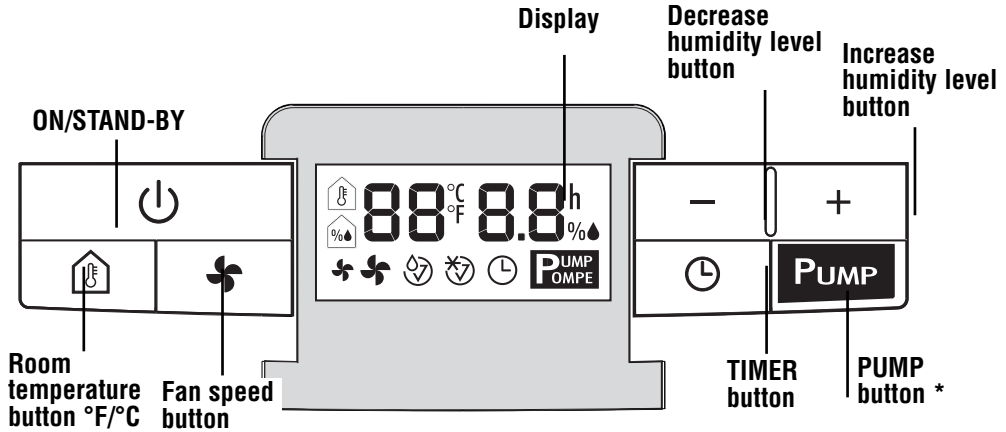



fig. 6

CONTROL PANEL



* (only on some models)

Description of buttons

1 ON/Standby" button 
ON/Standby" button

2 "Fan" button 

Press this button to select the Fan Speed (MIN or MAX).

3 Thermometer button 

Temporarily displays the temperature measured in the room by the appliance. If you press the button once you will see the room temperature in F for a few seconds, then in C for a few seconds, then the display will return to the current level of humidity in the room. If you press the button multiple times, it will cycle through these displays faster. Note: Temperatures displayed are indicative only.

4 Humidity increase/decrease buttons — +

These buttons are used to adjust the desired humidity level, with 5% increments; they are also used to set the timer. From 0 -10 the hours increase by 30 min. and from 10-24 the hours increase by 1 hour increments.

5 Pump button
(only in some models)

PUMP

When you press the "Pump button" the display will show "PUMP". If the display shows "PUMP" blinking, it means that the pump is not operating correctly.

6 Timer button

If you press the TIMER button the display will show the hours after which you want the appliance to switch OFF or ON. Once the timer is set the user can no longer adjust the %RH

Display

Meaning of the codes or symbols which may be displayed:

-- -- Indicates that the appliance is in standby mode.



 **Tank warning symbol**

If the water tank is full, improperly positioned or missing, the tank warning light will start blinking. An alarm will sound until the tank is either emptied or correctly positioned into place.


 **Defrosting indicator symbol**

With an ambient temperature of less than 59°F (15°C) the appliance performs defrosting cycles. While the appliance is defrosting, the defrosting symbol comes on and remains on until defrosting is completed. This symbol will also be displayed if the unit is switched on immediately after being turned off. The unit requires 3 minutes before it can function again.

MODE SELECTION


- 1) Plug the appliance into a an outlet.
- 2) the display will show "-- --" to indicate that the appliance is in stand-by and ready for use. If the display shows "  " it's necessary to empty the tank or the tank is incorrectly positioned
- 3) Press the ON/Stand-by  button.


Dehumidifying Mode

The display will show on the left side the room humidity level (ex.:  53) and on the right side the display will show the degree of humidity

you want to reach (ex.: 58 ).

Press the "+" or "-" button to set the desired humidity level (30% means a dry environment,, 80% a humid environment).

Press the "  " to select the fan speed (MIN/MAX). If you select MAX, the appliance will operate to the maximum speed. If you select MIN, the appliance will operate to the minimum speed. and the noise levels will be reduced.

Press button "  " to display the Temperature on the LCD display. On the left side the display will show first the °F and then the temperature in °C.

After few seconds, the display will automatically show the humidity level.

When the appliance reaches the humidity set point the appliance will automatically stop working but the fan will work at the minimum speed.

As soon as the humidity increases above the set point, the appliance will automatically resume dehumidification operation.




Continuous Dehumidifying Function

In order to operate the continuous dehumidifying function press button "-" until the display will show "--".




With this function the appliance will operate continuously.

TIMER

How to program the delayed start function: From the OFF Position

- 1) With the unit in the stand-by position, press the  button. On the right side the display will show  and the number of hours after which the appliance will start operating.
- 2) Use the + and - button to set the desired hours. Wait few seconds to set the set appliance. The symbol  and the remaining time will remain on the display.
- 3) When the selected time is reached, the appliance will start working.

How to Program the delayed stop function: From the ON Position

- 1) With the unit in the ON position, press the  button. On the right side the display will show  and the number of hours after which the appliance will stop operating.
- 2) Use the + and - button to set the desired hours. Wait few seconds to set the appliance. The symbol  and the remaining time will remain on the display.
- 3) When the selected time is reached, the appliance will stop working.

How to modify or deactivate the timer

If you wish to modify the set value, press once the timer button and press then buttons + and -. If you wish to deactivate the timer press the timer button twice.

CLEANING AND MAINTENANCE

Always unplug the appliance from the power outlet before performing any cleaning or maintenance operations.

For safety reasons, never wash the dehumidifier using a jet of water.

Cleaning the cabinet

- Clean the appliance using a damp cloth then dry with a dry cloth.
- Do not use petrol, alcohol or solvents to clean the appliance.
- Do not spray liquid insecticide or similar products as they may deform the plastic.

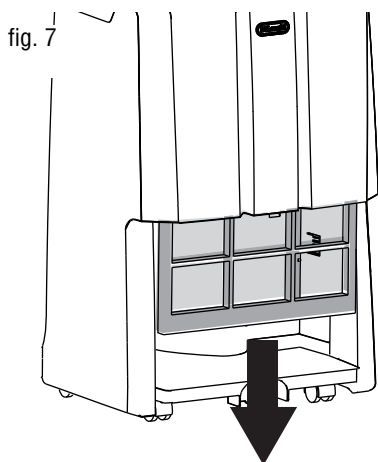
Cleaning the air filter

If the filter is dirty, air circulation is compromised and the efficiency of the dehumidifying and air purifying functions decreases.

It is therefore good practice to clean the filter at regular intervals. The frequency depends on the duration and conditions of operation.

If the unit is used constantly or systematically, you are recommended to clean the filter once a week.

To remove the filter, pull it down as shown in figure.



If the appliance is not used for long periods

- After unplugging the appliance from the power outlet, empty the tank.
- Clean and reposition the filter.
- Cover the appliance with a plastic bag to protect it from dust.

TECHNICAL SPECIFICATIONS



Power supply voltage	See rating plate
Absorbed power	“
Maximum power input	“
Freeze protection device	Yes
Hygrometer	Yes
Fan speeds	2
Air filter	Yes

Operating limits:	
temperature	41°F - 89.6°F (5°C - 32°C)
relative humidity	30-90%

TROUBLESHOOTING

Check the following points before calling your local authorised Service Centre.

GB

PROBLEMS	CAUSE	SOLUTION
The appliance is operating in dehumidifying mode, but the humidity does not decrease.	The filter is blocked.	Clean the filter.
	The temperature or humidity in the room are too low.	In certain conditions, it is normal for the appliance not to dehumidify (in certain cases, it is recommended to heat the environment).
	The room is too big for the dehumidifying power of the appliance.	
	Too many sources of humidity in the room (pots of boiling water, etc.).	Decrease the humidity set point.
The humid set point is too high.		
The appliance does not work for 3 minutes after start-up.	The safety device has tripped.	Wait for 3 minutes to pass.
 is displayed	The tank is missing.	Replace the tank.
	The tank is full.	Empty the tank.
	The tank is incorrectly positioned.	Position the tank correctly.
 is displayed	The temperature in the room is very low.	Increase room temperature.
"E2"/"E3" is displayed	One of the sensors on the appliance is faulty.	Call the Service Centre.
Symbol "PUMP" is displayed	The condensation discharge pump is missing.	Check the hose is correctly positioned. Disconnect and reconnect the plug.

This warranty applies to all home appliances with De'Longhi or Kenwood brand names.

FOR CONTIGUOUS UNITED STATES ONLY

Limited Warranty

We warrant each De'Longhi appliance to be free from defects in material and workmanship. From the purchase date, our obligation under this warranty is to provide one (1) year free parts and labor on the entire appliance, with an additional four (4) years free on any part of the sealed system consisting of the compressor, evaporator, condenser and factory connected refrigerant tubing. Labor and all other parts during the additional four (4) year warranty are to be paid by the owner. All appliances in need of repair are to be shipped to an authorized De'Longhi service center at the owner's expense, and De'Longhi will then incur the return shipping costs. After the first five (5) years of ownership, all expenses (all parts, labor and shipping) are to be paid by the owner of the unit. This warranty shall apply only if the appliance is used in accordance with the factory directions that accompany it, and on an Alternating Current (AC) circuit. This warranty is in lieu of all other warranties and representations, expressed or implied, and all other obligations or liabilities on our part. We do not authorize any other person or company to assume for us any liability in connection with the sale or use of our appliance. This warranty shall not apply to any appliance that has been repaired or altered outside our factory nor shall it apply to any appliance that has been subjected to misuse, negligence or accidents.

If repairs become necessary, see contact information below:

U.S. Residents:

Please contact our toll free hotline at 1-800-322-3848 or log onto our website at www.delonghi.com.

For all accessories, spare parts or replacement parts, please contact our parts division at 1-800-865-6330.

Residents of Canada:

Please contact our toll free hotline at 1-888-335-6644 or log onto our website at www.delonghi.com.

Other countries:

Please visit: www.delonghi.com.

ALGUNAS NOCIONES SOBRE HUMEDAD

El aire contiene siempre una determinada cantidad de agua en forma de vapor. Esto determina el nivel de humedad de un ambiente.

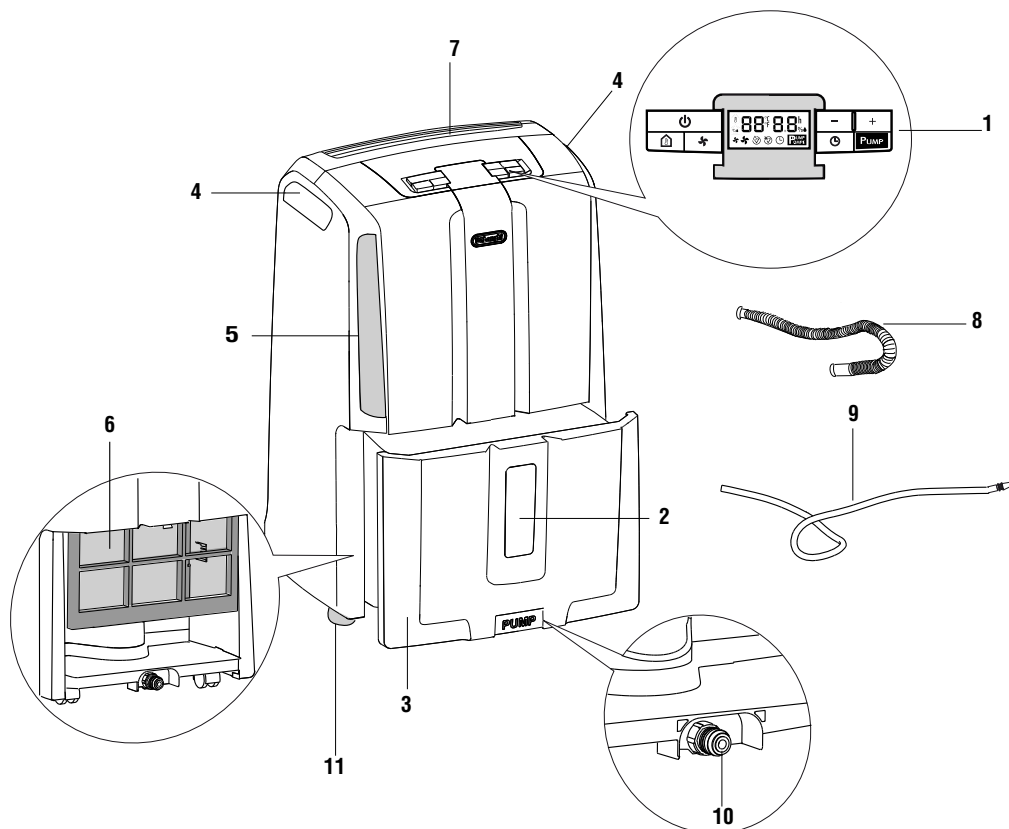
La capacidad del aire para retener la humedad atmosférica aumenta cuanto más alta es su temperatura. Por ello, en nuestros hogares, en cuanto desciende la temperatura, se condensa el vapor en el aire, como es evidente en las superficies más frías en la habitación, tales como ventanas y paredes, etc. El propósito del deshumidificador es eliminar el exceso de humedad del

aire, evitando los daños provocados por ésta. Los expertos han establecido que las condiciones ambientales ideales, tanto para nuestra salud como para la casa, se obtienen con valores de humedad relativa comprendidos entre el 40% y el 60%. Con temperaturas muy bajas, le aconsejamos calentar el ambiente aunque sea mínimamente. Esto incrementa considerablemente la capacidad de deshumidificación del aparato. Con el calentamiento, la condensación formada por la humedad atmosférica en las ventanas y en otras superficies frías se evapora en el aire para ser recogida luego por el deshumidificador. El aire liberado por el deshumidificador generalmente es 1°C más caliente que la temperatura ambiente.

DESCRIPCIÓN / ACCESORIOS

1. Panel de control
2. Mirilla del nivel del agua
3. Depósito de recolección de condensación
4. Asas
5. Rejilla de entrada del aire
6. Filtro de polvo

7. Rejilla de salida del aire
8. Manguera de desagüe a utilizarse en la parte posterior de la unidad
9. Tubo de bomba a utilizarse en la parte frontal de la unidad
10. Conector para el desagüe de BOMBA (primero extraiga el tapón)
11. Ruedas



INTRODUCCIÓN

Le agradecemos la elección de un producto De'Longhi. Dedique unos minutos para leer estas instrucciones de uso. Así evitará correr riesgos o causar daños al aparato.

Símbolos utilizados en las instrucciones

Las advertencias importantes se indican con los siguientes símbolos.

Es muy importante que respete estas advertencias. El incumplimiento de las indicaciones proporcionadas puede provocar descargas eléctricas, graves lesiones, quemaduras, incendios o daños al aparato.



¡PELIGRO!

El incumplimiento de la advertencia puede ocasionar lesiones provocadas por descargas eléctricas que pongan en peligro la vida.



¡Atención!

El incumplimiento de la advertencia puede ocasionar lesiones o daños al aparato.



Nótese bien:

Este símbolo indica consejos e informaciones importantes para el usuario.

Problemas y reparaciones

En caso de problemas, intente primeramente solucionarlos siguiendo la información brindada en la sección "Resolución de problemas" de la pág. 27.

Para eventuales reparaciones del aparato, póngase en contacto exclusivamente con los Centros de Servicio autorizados por el fabricante.

Solicite siempre la utilización de refacciones originales.

Las reparaciones realizadas por personal no autorizado pueden ser peligrosas y anulan la garantía.

ADVERTENCIAS DE SEGURIDAD

Advertencias fundamentales para la seguridad



¡Peligro! Este es un aparato eléctrico, por lo que es importante que respete las siguientes advertencias de seguridad:

- No toque el aparato con las manos mojadas.
- No toque la clavija con las manos mojadas.
- Asegúrese de que el enchufe de corriente utilizado siempre esté accesible, para permitirle desenchufar el aparato cuando sea necesario.
- Siempre desenchufe el aparato utilizando directamente la clavija. Nunca tire del cable porque podría dañarse.
- Para desconectar completamente el aparato, debe desenchufarlo de la corriente.
- Si el aparato se avería, no intente repararlo. Apague el aparato, desenchúfelo de la corriente y póngase en contacto con un Centro de Servicio.
- No tire del cable de alimentación eléctrico para desplazar el aparato.
- Es peligroso modificar o alterar de cualquier forma las características del aparato.
- Si se daña el cable de alimentación, debe sustituirlo acudiendo con el fabricante o un centro de servicio técnico autorizado a fin de evitar cualquier riesgo.
- No utilice cables de extensión.
- Instale el aparato según las reglas de instalación nacionales. Este aparato no está diseñado para su uso en la restauración de daños por agua de propiedades comerciales/domésticas.
- El aparato ha de conectarse a una toma de tierra eficaz. Haga que un electricista calificado verifique la instalación eléctrica.



¡Peligro! Guarde el material del embalaje (bolsas de plástico, espuma de poliestireno) fuera del alcance de los niños.



¡Peligro! El aparato no está diseñado para ser utilizado por personas (incluidos niños) con capacidades psicofísicas sensoriales disminuidas o con experiencia y conocimientos insuficientes, a no ser que estén vigilados atentamente e instruidos por un responsable en relación con su seguridad.

Siempre vigile a los niños para asegurarse de que no jueguen con el aparato.

SIGA ESTAS INSTRUCCIONES

ESTE PRODUCTO ES ÚNICAMENTE PARA USO DOMÉSTICO

Uso apropiado

Este aparato está diseñado y producido exclusivamente para uso doméstico. Utilice este aparato únicamente como se indica en este manual de instrucciones. Como con todo equipo eléctrico, estas instrucciones pretenden abarcar todas las contingencias posibles que pueden presentarse.

Recurra siempre al sentido común y a la prudencia para la instalación y funcionamiento de este aparato.

Advertencias generales

- No instale el aparato en ambientes donde el aire pueda contener gas, aceite, azufre o cerca de fuentes de calor.
- No utilice el aparato sobre superficies inclinadas.
- Mantenga el aparato a una distancia mínima de 50 cm de sustancias inflamables (alcohol, etc.) o de envases bajo presión (ej. latas de aerosol).
- No apoye objetos pesados o calientes sobre el aparato.
- Siempre transporte el aparato en posición vertical, NO apoyado sobre un lado. Antes de mover el aparato, recuerde vaciar el depósito de agua de condensación. Si el aparato se transportó apoyado sobre un lado, debe esperar un mínimo de 6 horas antes de usarlo (se recomienda 24 horas). Después de transportar el aparato, espere un mínimo de una hora antes de encenderlo.
- El gas refrigerante R410A cumple las normativas de EC en materia de ecología. Evite perforar el circuito refrigerante del aparato. **INFORMACIÓN MEDIOAMBIENTAL:** Esta unidad contiene gases fluorados de efecto invernadero considerados por el Protocolo de Kioto. Las operaciones de mantenimiento y eliminación deben ser efectuadas únicamente por personal calificado (R410A, GWP=1975).
- Los materiales utilizados en el embalaje son reciclables. Consecuentemente, le aconsejamos eliminarlos en contenedores específicos para la recolección selectiva.
- No utilice el aparato al aire libre.
- No obstaculice las entradas o salidas del aire.
- No utilice el aparato en cuartos de lavado.

Instrucciones de uso

Lea detenidamente estas instrucciones antes de instalar y/o usar el aparato.

- Siga meticulosamente estas instrucciones. Si traspasa el aparato a otras personas, deberá entregarles también estas instrucciones de uso.
- El incumplimiento de estas instrucciones puede producir lesiones o daños al aparato. El fabricante no se hace responsable por los daños derivados del incumplimiento de estas instrucciones.
- Conserve la lista de los Centros de Servicio y localice el Centro más cercano a usted.

Conexiones eléctricas

Después de mover el aparato, espere un mínimo de una hora antes de volver a encenderlo. Antes de enchufar el aparato a la corriente compruebe que:

- El suministro eléctrico corresponde al voltaje operativo indicado en la placa de especificaciones.
- El enchufe y el circuito eléctrico son adecuados para el aparato.
- El enchufe embona en la clavija. Si éste no es el caso, haga que un electricista calificado sustituya la clavija.
- El enchufe de corriente está conectado a una toma de tierra eficaz.

INSTALACIÓN

Coloque el aparato en el ambiente que deshumidificará. Deje un espacio mínimo de 2 pies (61 cm) delante del deshumidificador para no obstaculizar la salida del aire. Para una ventilación eficaz, debe dejar un espacio de 2-4 inc (5-10 cm) en la parte posterior del aparato.

El agua de condensación puede desaguarse en una de las siguientes maneras:

A) Desagüe en el depósito

El agua de condensación puede desaguarse directamente en el depósito. Puede extraer fácilmente el depósito (fig. 1). Cuando el depósito esté lleno, extráigalo (fig. 1) y vacíelo en un lavabo. Cuando termine, colóquelo en su lugar apropiadamente.

NOTA:

El depósito debe colocarse propiamente. Si escucha el sonido intermitente de un pitido, significa que el depósito no está en la posición apropiada.

B) Desagüe continuo en el exterior

Si va a utilizar el aparato durante periodos largos sin poder vaciar periódicamente el depósito, le aconsejamos utilizar el desagüe continuo.

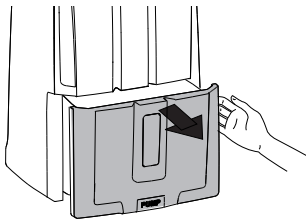


fig. 1

- 1) Desenrosque el tapón para desagüe continuo **1** girándolo en el sentido contrario a las manecillas del reloj y quite el tapón de goma de la boquilla **2** (fig. 2).

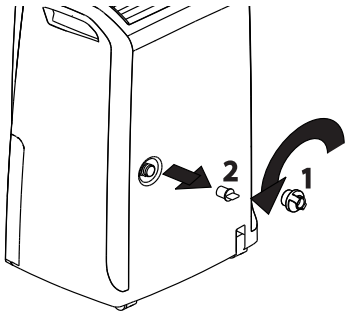


fig. 2

- 2) Inserte el tapón para desagüe **1** en la mayoría de desagüe de agua de condensación (**8**) hasta el extremo (fig. 3) y en ros que después el tapón de la boquilla. (fig. 4).

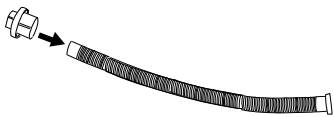


fig. 3

- 3) Asegúrese de que el extremo de la manguera no quede más arriba que la boquilla (Fig. 3) o el agua podría estancarse en el depósito. Asegúrese de que no haya estrangulamientos en la manguera (Fig. 5).

i Conserve el tapón pequeño de goma para cerrar la boquilla.

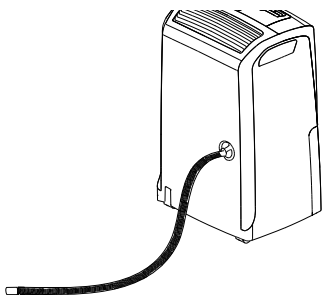


fig. 4

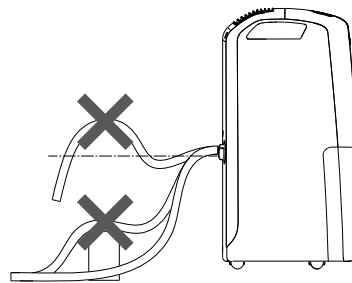


fig. 5

C) Desagüe continuo utilizando la bomba (únicamente en modelos de bombas)

El exclusivo sistema de bomba de trabajo pesado permite la extracción de agua de hasta 13.12 pies (4 m) de altura.

Si desea que el agua fluya directamente a un desagüe, conecte el tubo de descarga de agua de condensación suministrado (9) al tubo de conexión ubicado en la parte frontal inferior de la unidad (primero necesitará extraer el tapón rotulado BOMBA) (fig. 6). Seleccione la función deshumidificadora y oprima el botón BOMBA.

Nota: Cuando no está colocada la manguera de desagüe de agua de condensación y la bomba esté ENCENDIDA, la pantalla mostrará parpadeando el símbolo BOMBA.

Para eliminar este problema:

- Verifique que la manguera esté colocada correctamente
- Desconecte el aparato y vuelva a conectarlo.

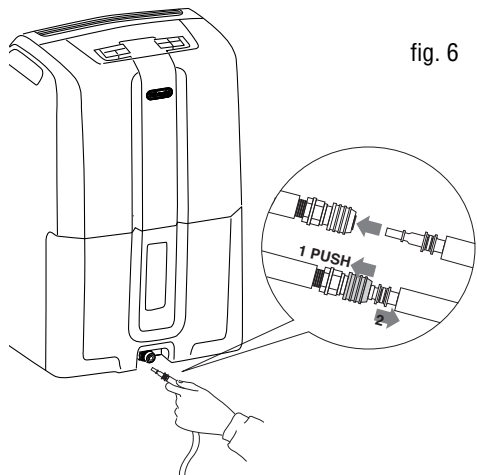
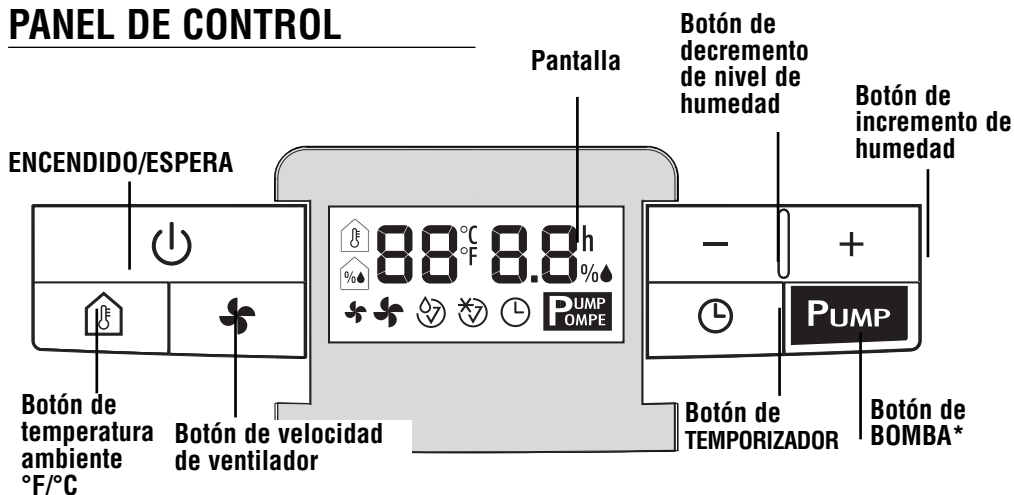


fig. 6


PANEL DE CONTROL



*(únicamente en algunos modelos)

Descripción de los botones

1 Botón de ENCENDIDO/Espera 
Botón ENCENDIDO/Espera

2 Botón de “Ventilador” 
Oprima este botón para seleccionar la velocidad del ventilador (MIN o MAX).

3 Botón de termómetro 
Muestra temporalmente la temperatura medida en el ambiente por el aparato. Si oprime el botón una vez, verá la temperatura ambiente en °F durante unos segundos, después en °C durante unos segundos, después la pantalla regresará al nivel actual de humedad en el ambiente. Si oprime el botón varias veces, recorrerá estas pantallas más rápido. Nota: Las temperaturas mostradas son únicamente indicativas.

4 Botones de incremento/decremento índice de humedad — +
Ajusta el porcentaje de humedad presente en el ambiente, aumentándolo o disminuyéndolo por pasos de 5%. Estos botones se utilizan para ajustar el nivel de humedad deseado, con incrementos de 5%; también se utilizan para ajustar el temporizador. De 0-10 las horas se incrementan por incrementos de 30 min y de 10-24 las horas se incrementan en incrementos de 1 hora


5 Botón de bomba **PUMP**
(únicamente en algunos modelos)
Cuando oprima el “botón de Bomba”, la pantalla mostrará “BOMBA”. Si la pantalla muestra


“BOMBA” parpadeando, significa que la bomba no está funcionando correctamente.

6 Botón de temporizador
Si oprime el botón de TEMPORIZADOR, la pantalla mostrará las horas después de las cuales desea APAGAR o ENCENDER el aparato. Una vez que se ajusta el temporizador, el usuario ya no puede ajustar el %RH.

Pantalla
Significado de las códigos o símbolos que se muestran en la pantalla:

-- -- Indica que el aparato se encuentra en espera.

 **Luz de advertencia de depósito**
Si el depósito está lleno, colocado incorrectamente o no está colocado, la luz de advertencia de depósito comenzará a parpadear. Sonará una alarma hasta que el depósito esté vacío o colocado correctamente en su lugar.

 **Símbolo indicador de descongelamiento**
Con una temperatura ambiente menor que 15°C, (59°F) el aparato ejecuta ciclos de descongelamiento. Mientras el aparato se está descongelando, se enciende el símbolo de descongelamiento y permanece encendido hasta que se completa el descongelamiento. Este símbolo también se mostrará si la unidad se enciende inmediatamente después de apagarse. La unidad requiere 3 minutos antes de que pueda funcionar nuevamente el último pagado

SELECCIÓN DE MODOS

- 1) Enchufe el aparato a la corriente.
- 2) La pantalla mostrará "-- --" para indicar que el aparato se encuentra en espera y listo para ser usado.
Si la pantalla muestra "☞", es necesario vaciar el depósito o colocarlo correctamente.
- 3) Oprima el botón ENCENDIDO/Espera (⏻).

Modo de deshumidificación

La pantalla mostrará en la parte izquierda el nivel de humedad ambiente (es.: %▲ 53) y en la parte derecha la pantalla mostrará el grado de humedad que desea alcanzar (es.: 58 %▲).

Oprima el botón "+" o "-" para ajustar al nivel de humedad deseado (el 30% equivale a un ambiente seco, el 80% equivale a un ambiente húmedo). Oprima el botón "⚙" para seleccionar la velocidad del ventilador (MÍN./MÁX.).

Si selecciona MÁX., el aparato funcionará a la máxima velocidad.

Si selecciona MÍN., el aparato funcionará a potencia reducida y el ruido será inferior.

Oprima el botón "⌂" para mostrar la temperatura en la pantalla de LCD.

En la parte izquierda de la pantalla se mostrarán primero los °F y después la temperatura en °C. Después de unos segundos, la pantalla mostrará automáticamente el nivel de humedad.

Cuando el aparato alcance el punto de referencia de humedad, se detendrá automáticamente pero el ventilador funcionará a la velocidad mínima.

Tan pronto se incrementa el nivel de humedad por arriba del punto de referencia, el aparato reanudará automáticamente la deshumidificación.

Función de deshumidificación continua

Con objeto de operar la función de deshumidificación continua oprima el botón "-" hasta que la pantalla muestra "--".

Esta función se utiliza particularmente cuando necesita secar rápidamente su ropa.

Con esta función el aparato funcionará continuamente.

TEMPORIZADOR

Cómo programar la función de inicio retrasado: Desde la posición APAGADO

- 1) Con la unidad en la posición de espera, oprima el botón (⏻).
En la parte derecha la pantalla mostrará (⌚) y el número de horas después de las cuales comenzará a funcionar el aparato.
- 2) Utilice el botón + y - para ajustar las horas deseadas (0.5÷24h). Espere unos segundos para ajustar el aparato.
El símbolo (⌚) y el tiempo restante permanecerán en la pantalla.
- 3) Cuando se alcance la hora seleccionada, comenzará a funcionar el aparato.

Cómo programar la función de paro retrasado: Desde la posición ENCENDIDO

- 1) Con la unidad en la posición ENCENDIDO, oprima el botón (⏻).
En la parte derecha la pantalla mostrará (⌚) y el número de horas después de las cuales dejará de funcionar el aparato.
- 2) Utilice el botón + y - para ajustar las horas deseadas (0.5÷24h).
Espere unos segundos para ajustar el aparato.
El símbolo (⌚) y el tiempo restante permanecerán en la pantalla.
- 3) Cuando se alcance la hora seleccionada, el aparato dejará de funcionar.

Cómo modificar o desactivar el temporizador

Si desea modificar el valor establecido, oprima una vez el botón de temporizador y oprima después los botones + y -.

Si desea desactivar el temporizador oprima dos veces el botón de temporizador.

LIMPIEZA Y MANTENIMIENTO

Antes de realizar cualquier operación de limpieza o de mantenimiento, desenchufe siempre el aparato de la corriente.

Por motivos de seguridad, nunca lave el deshumidificador con chorros de agua.

Limpeza del gabinete

- Limpie el aparato utilizando un paño húmedo y después seque con un paño seco.
- No use gasolina, alcohol o solventes para limpiar el aparato.
- No pulverice líquidos insecticidas o productos similares dado que el plástico podría deformarse.

Limpeza del filtro de aire

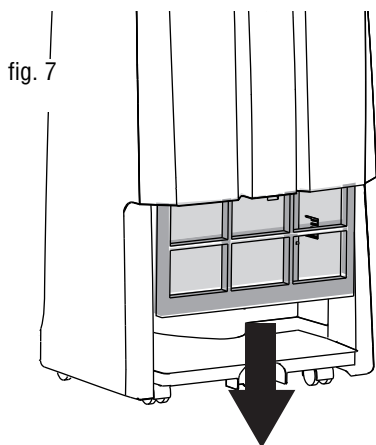
Si el filtro está sucio, se dificulta la circulación del aire y disminuye la eficiencia de las funciones de deshumidificación y purificación del aire.

Por este motivo, es recomendable limpiar el filtro periódicamente.

La frecuencia de operación depende de la duración y condiciones de operación.

Si la unidad se utiliza constante o sistemáticamente, se recomienda limpiar el filtro una vez a la semana.

Para extraer el filtro, jálelo descendentemente como se muestra en la figura.



Si el aparato no se utiliza por periodos largos



- Después de haber desenchufado el aparato de la corriente, vacíe el depósito.
- Limpie el filtro y vuelva a colocarlo en su lugar.
- Cubra el aparato con una bolsa de plástico para protegerlo contra el polvo.

ESPECIFICACIONES TÉCNICAS

Voltaje de alimentación	Vea la placa de especificaciones
Potencia absorbida	“
Potencia de entrada máxima	“
Dispositivo de descarchado	Sí
Higrómetro	Sí
Velocidades del ventilador	2
Filtro de aire	Sí
Límites operativos	
temperatura	41°F - 89.6°F (5°C - 32°C)
humedad relativa	30-90%

RESOLUCIÓN DE PROBLEMAS

Verifique los siguientes puntos antes de llamar al Centro de Servicio autorizado local.

PROBLEMAS	CAUSA	SOLUCIÓN
El aparato funciona en modo de deshumidificación, pero no disminuye la humedad.	<p>El filtro está obstruido.</p> <p>La temperatura o la humedad en el ambiente son demasiado bajas.</p> <p>El ambiente es demasiado grande para la potencia de deshumidificación del aparato.</p> <p>En el ambiente hay demasiadas fuentes de humedad (ollas con agua hirviendo, etc).</p> <p>El punto de referencia de humedad es demasiado alto.</p>	<p>Limpie el filtro.</p> <p>En determinadas condiciones, es normal que el aparato no deshumidifique (en algunos casos, le recomendamos calentar el ambiente que quiere deshumidificar).</p> <p>Disminuya el punto de referencia de humedad.</p>
El aparato no funciona durante 3 minutos después del encendido.	Se ha activado el dispositivo de seguridad.	Espere que pasen 3 minutos..
En la pantalla se muestra 	<p>El depósito no está colocado.</p> <p>El depósito está lleno.</p> <p>El depósito está colocado incorrectamente.</p>	<p>Vuelva a colocar el depósito.</p> <p>Vacíe el depósito.</p> <p>Coloque el depósito correctamente.</p>
En la pantalla se muestra 	La temperatura en el ambiente es muy baja.	Aumente la temperatura ambiente.
Se muestra "E2"/"E3" Se muestra el símbolo "BOMBA"	<p>Uno de los sensores del aparato está averiado.</p> <p>La bomba de descarga de condensación no está colocada.</p>	<p>Llame al Centro de Servicio.</p> <p>Verifique que la manguera esté colocada correctamente. Desconecte la clavija y vuelva a conectarla.</p>

cubre todos los productos con las marcas De'Longhi o Kenwood.

SOLAMENTE PARA LOS ESTADOS UNIDOS CONTIGUO Y CANADÁ

Garantía Limitada

Nosotros garantizamos que cada aparato de De'Longhi está libre de defectos en materiales y mano de obra. A partir de la fecha de compra, nuestra obligación bajo esta garantía es de proveer un (1) año gratis de piezas y mano de obra en todo el aparato, con cuatro (4) años adicionales gratis para cada pieza del sistema sellado que consiste en el compresor, evaporador, condensador y la tubería refrigerante conectada en la fábrica. La mano de obra y todas las otras piezas durante los cuatro (4) años adicionales de garantía, serán pagadas por el dueño. Todos los aparatos que necesitan ser reparados necesitan ser enviados a un centro de servicio autorizado De'Longhi con los gastos pagados por el dueño y De'Longhi será responsable por los gastos de regreso. (Sólo para Canadá: póngase en contacto con la tienda donde compró el aparato o con el centro de mantenimiento y reparación autorizado De'Longhi más cercano para el mantenimiento y reparación de todos los acondicionadores de aire.) Después de los primeros cinco (5) años de ser dueño de la unidad, todos los gastos (todas las piezas, mano de obra y envío) serán la obligación del dueño. Esta garantía deberá aplicarse solamente si el aparato ha sido usado de acuerdo con las instrucciones de la fábrica que lo acompañan y en un circuito de Corriente Alterna (AC). Esta garantía toma el lugar de todas las otras garantías y representaciones, expresadas o implícitas, y todas las otras obligaciones o responsabilidades legales por nuestra parte. Nosotros no autorizamos a cualquier otra persona o compañía a que asuma por nosotros cualquier responsabilidad en conexión con la venta o el uso de nuestro aparato. Esta garantía no deberá aplicarse a cualquier aparato que ha sido reparado o alterado fuera de nuestra fábrica ni deberá aplicar a cualquier aparato que haya estado sujeto al mal uso, negligencia o accidentes.

Si las reparaciones son necesarias, vea la información de contacto a continuación:

Residentes de los Estados Unidos:

Por favor, contacten a la línea directa gratuita, **1-800-322-3848** o vayan a nuestro sitio en el Internet **www.delonghi.com**.

Para todos los accesorios, piezas de repuesto o reemplazo, por favor contacten nuestra división de piezas, al **1-800-865-6330**.

GARANTIA (para México solamente)

DESCRIPCIÓN Y MODELO: DESHUMIFICADOR DD40P-DD45-DD45P-DD50P

Garantizamos todo producto DE'LONGHI por defectos de fabricación, material y mano de obra. Nuestra obligación dentro de ésta garantía es proporcionar gratuitamente las refacciones y el servicio durante un año a partir de la fecha de compra. Esta garantía se aplicará únicamente si el producto se utiliza de acuerdo con las instrucciones anexas del fabricante y con un circuito de corriente alterna (ca). Esta garantía reemplaza a cualquier otra garantía y acuerdo, expreso o implícito y a todas las demás obligaciones o responsabilidades de nuestra parte. No autorizamos a ninguna otra persona o compañía a asumir nuestras responsabilidades relacionadas con la venta y el uso de nuestro producto. Esta garantía no implica ninguna responsabilidad de parte nuestra en relación con la venta o el uso de nuestro producto.

Esta garantía no se hará válida en los siguientes casos:

- a) Cuando el producto se hubiese utilizado en condiciones distintas a las normales
- b) Cuando el producto no hubiese sido operado de acuerdo con el instructivo de uso que se le acompaña
- c) Cuando el producto hubiese sido alterado o reparado por personas no autorizadas por el fabricante nacional, importador o comercializador responsable respectivo.

Para hacer efectiva la garantía o si se necesitan reparaciones o refacciones, componentes, combustibles y accesorios llame, con su garantía sellada por el establecimiento, al Centro Nacional de Servicio para proporcionarle una cuenta de mensajería con la cual deberá remitir el producto y garantía. Los gastos que se deriven del cumplimiento de la presente garantía deberán ser absorbidos por el Centro Nacional de Servicio De'Longhi.

Obtención de servicios de garantía

Si las reparaciones son necesarias, vea la información de contacto que aparece a continuación:

Residentes de los Estados Unidos:

Por favor contactar a nuestra línea telefónica gratuita, al **1-800-322-3848** o ingrese a nuestro sitio en el Internet **www.delonghi.com**.

Para todos los accesorios, piezas de repuesto o de reemplazo, por favor contactar a nuestra división de piezas, al **1-800-865-6330**.

Residentes de Canadá: Por favor contactar a nuestra línea telefónica gratuita, al **1-888-335-6644** o ingrese a nuestro sitio en el Internet **www.delonghi.com** <<http://www.delonghi.com/>>.

Residentes de México: Por favor contactar a nuestra línea telefónica gratuita, al **01-800-711-88-05** (lada sin costo) / **56-62-53-68 y 69 (D.F.)** o ingrese a nuestro sitio en el Internet **www.delonghi.com** <<http://www.delonghi.com/>>.

FIDUCIA ITALIANA S.A DE C.V

Erasmus Castellanos Quinto

calle B manzana II #29

Col. Educación

C.P. 04400

Deleg. Coyoacán – Mexico D.F.

Lada sin costo: 1800 711 8805



De'Longhi America, Inc.

Park 80 West, Plaza One
Saddle Brook, NJ 07663
1-800-322-3848

De'Longhi Canada, Inc.

6150 McLaughlin Road
Mississauga, Ontario
L5R 4E1 Canada
1-888-335-6644

FIDUCIA ITALIANA S.A DE C.V

Erasmus Castellanos Quinto
calle B manzana II #29
Col. Educación
C.P. 04400
Deleg. Coyoacán – Mexico D.F.
Lada sin costo: 1800 711 8805

www.delonghi.com

QUELQUES NOTIONS D'HUMIDITÉ

L'air contient toujours une certaine quantité d'eau sous forme de vapeur, qui détermine le degré d'humidité dans une atmosphère.

La capacité de l'air de contenir de la vapeur augmente en fonction de la température. Pour cette raison, dès que la température d'une habitation baisse, la vapeur d'eau contenue dans l'air se condense et devient évidente sur les surfaces plus froides comme les fenêtres, les murs, etc. Le but du déshumidificateur est d'éliminer l'excès d'humidité dans l'air, évitant ainsi les dommages causés par la condensation.

DESCRIPTION/ACCESSOIRES

1. Panneau de commande
2. Hublot de contrôle du niveau d'eau
3. Collecteur de condensat
4. Poignées
5. Grille d'entrée d'air
6. Filtre à poussière
7. Grille de sortie d'air

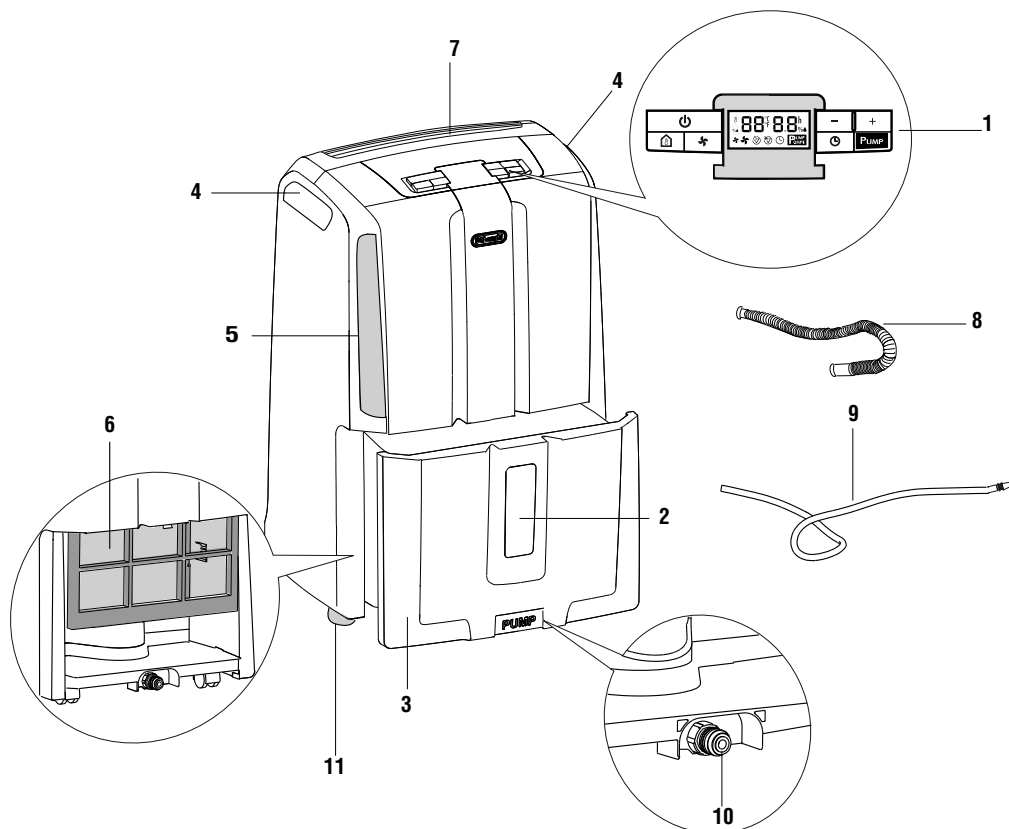
Les experts ont établi que les conditions environnementales optimales pour notre bien-être et la maison, sont entre 40 % et 60 % d'humidité relative. Même par très basses températures, nous vous recommandons d'avoir un minimum de chauffage dans la maison.

Cela augmentera considérablement la puissance de déshumidification de l'appareil.

Avec le chauffage, la condensation formée par la vapeur d'eau sur les fenêtres et les autres surfaces froides s'évapore dans l'air, qui sera recueillie par le déshumidificateur.

L'air provenant du déshumidificateur est habituellement d'environ 1 °C plus chaud que la température ambiante.

8. Flexible de vidange qui doit être utilisé à l'arrière de l'appareil
9. Tuyau de la pompe qui doit être utilisé à l'avant de l'appareil
10. Raccord pour la vidange de la pompe (retirez en premier la butée)
11. Roulettes



INTRODUCTION

Merci d'avoir choisi un produit De'Longhi.
Prenez quelques minutes pour lire ces consignes.
Ceci évitera de courir des dangers ou d'endommager l'appareil.

Symboles utilisés dans ces consignes

Ces symboles mettent en relief l'importance de ces avertissements. Il est impératif de se conformer à ces avertissements. Le défaut de se conformer pourrait provoquer un choc électrique, des blessures graves, des brûlures, un incendie ou endommager l'appareil.



Danger!

Le défaut de se conformer pourrait provoquer une blessure par choc électrique mettant en danger la vie.



Attention!

Le défaut de se conformer pourrait provoquer des blessures ou endommager l'appareil.



Ce symbole met en relief l'importance des recommandations et des renseignements.

Problèmes et réparations

En cas de panne, essayez de la résoudre en suivant les consignes du Chapitre Dépannage à la page 18.

Si l'appareil doit être réparé, veuillez communiquer avec le Centre de services agréé par le fabricant. Insistez pour avoir des pièces de rechange d'origine.

Les réparations effectuées par un personnel non agréé peuvent s'avérer dangereuses et invalider la garantie.

IMPORTANTES MISES EN GARDE

Consignes de sécurité de base



Danger! L'appareil est électrique, il est par conséquent important que vous respectiez les consignes de sécurité suivantes :

- ne touchez pas l'appareil avec les mains mouillées;
- ne touchez pas la fiche avec les mains mouillées;
- assurez-vous que la prise de courant utilisée soit facile d'accès, pour que vous puissiez débrancher l'appareil, s'il y a lieu;
- débranchez toujours l'appareil en vous servant de la fiche. Ne tirez jamais sur le fil; ceci pourrait l'endommager;
- pour déconnecter complètement l'appareil de l'alimentation électrique, vous devez le débrancher de la prise de secteur;
- si l'appareil est défectueux, n'essayez pas de le réparer vous-même. Coupez l'alimentation, débranchez-le de la prise de secteur et communiquez avec le Centre de services;
- ne déplacez pas l'appareil en tirant sur le cordon d'alimentation;
- modifier ou altérer de quelque façon les caractéristiques de l'appareil pourrait s'avérer dangereux;
- si le cordon d'alimentation est endommagé, il doit être remplacé par le fabricant ou un Centre de services agréé pour éviter de prendre des risques;
- n'utilisez pas de cordon prolongateur;
- l'appareil doit être installé conformément aux normes sur les électroménagers en vigueur dans le pays concerné. Cet appareil ne doit pas être utilisé pour la restauration des dommages causés par l'eau dans les propriétés commerciales et résidentielles;
- l'appareil doit être connecté à une mise à la terre efficace. Faites contrôler votre circuit électrique par un électricien agréé.



Danger! Ne laissez pas le matériel d'emballage (sacs en plastique, mousse de polystyrène) à la portée des enfants.



Danger! L'appareil ne doit pas être utilisé par des personnes (y compris les enfants) ayant les capacités physiques, sensorielles ou mentales, réduites, ou qui n'en ont ni l'expérience, ni la connaissance, à moins que ces personnes soient supervisées par quelqu'un qui est responsable de leur sécurité ou qu'elles aient reçu les consignes concernant son utilisation. Supervisez toujours les enfants pour vous assurer qu'ils ne jouent pas avec l'appareil.

CONSERVEZ CES CONSIGNES

CE PRODUIT EST UNIQUEMENT À USAGE DOMESTIQUE

Utilisation appropriée

Cet appareil a été conçu et fabriqué pour un usage domestique uniquement. Utilisez cet appareil conformément aux consignes qui sont décrites dans le présent manuel. Comme avec tout appareil électrique, les consignes couvrent autant que possible toutes les éventualités. La prudence et le bon sens devraient être de mise pour l'installation et le fonctionnement de cet appareil.

Mises en garde générales

- N'installez pas l'appareil dans une pièce contenant du gaz, de l'huile ou du soufre. N'installez pas à proximité de sources de chaleur.
- N'utilisez pas l'appareil sur les surfaces inclinées
- Maintenez l'appareil à une distance minimale de 50 cm des substances inflammables (alcool, etc.) ou des contenants sous pression (par exemple, les générateurs d'aérosol).
- Ne posez pas d'objets lourds ou chauds sur le dessus de l'appareil.
- Transportez toujours l'appareil à la verticale, NON sur le côté. Rappelez-vous de vider le réservoir de condensat avant de déplacer l'appareil. Si l'appareil est transporté sur le côté, vous devez attendre au moins 6 heures avant de l'utiliser (24 heures sont recommandées).
Attendez au moins 1 heure avant de mettre en marche l'appareil qui vient d'être transporté.
- Le fluide frigorigène R410A est conforme à la réglementation européenne sur l'environnement.
- Évitez de perforer le circuit frigorigène de l'appareil.

Consignes

Lisez attentivement ces consignes avant d'installer ou d'utiliser l'appareil.

- Conservez ces consignes avec soin. Si vous cédez l'appareil à d'autres personnes, ces consignes devraient leur être également remises.
- Le défaut de se conformer pourrait provoquer des blessures ou endommager l'appareil. Le fabricant ne sera pas tenu responsable des dommages découlant du non-respect de ces consignes.
- Conservez la liste des Centres de services et repérez le Centre le plus proche de votre domicile.

Connexions électriques

Attendez au moins 1 heure avant de remettre en marche l'appareil qui vient d'être transporté.

Avant de brancher l'appareil sur la prise de courant, vérifiez que :

- l'alimentation de secteur correspond à la tension de service indiquée sur la plaque signalétique;
- la prise de courant et le circuit électrique sont appropriés à l'appareil;
- le type de prise de courant correspond à la fiche. Dans le cas contraire, faites remplacer la prise par un électricien agréé;
- la prise de secteur est munie d'une mise à la terre adéquate.

INSTALLATION

Placez l'appareil dans la pièce qui doit être déshumidifiée. Un espace minimal de 61 cm (2 pi) doit être laissé devant le déshumidificateur, de manière à ne pas bloquer la sortie de l'air. Pour une ventilation efficace, un espace d'environ 5-10 cm (2-4 po) devrait être laissé à l'arrière de l'appareil. Le condensat peut être vidangé de deux manières suivantes .

A) Vidange dans le réservoir

Le condensat peut être vidangé directement dans le réservoir. Le réservoir peut être facilement retiré (Fig. 1). Lorsque le réservoir est plein, retirez-le (Fig. 1) et videz-le dans un évier. Lorsque vous aurez terminé, remplacez-le de façon appropriée.

NOTE: Le réservoir doit être placé de façon appropriée. Si vous entendez un bruit intermittent, c'est que le réservoir n'est pas dans la position appropriée.

B) Vidange en continu vers l'extérieur

Si l'appareil doit fonctionner pendant de longues périodes sans que vous puissiez vider régulièrement le réservoir, nous vous recommandons d'utiliser la fonction de vidange en continu.

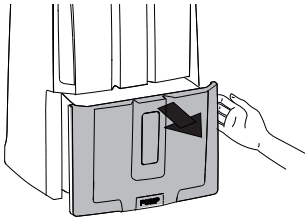


fig. 1

- 1) Retirez le capuchon de vidange en continu **1** en le tournant dans le sens antihoraire, puis retirez la bonde en caoutchouc de la goulotte **2** (Fig. 2).

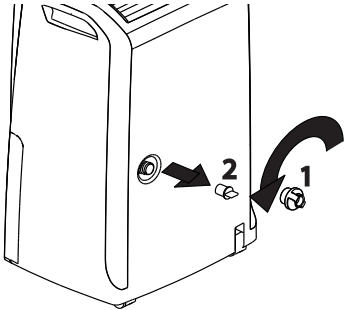


fig. 2

- 2) Insérez le capuchon de vidange **1** dans le flexible de vidange du condensat (8) jusqu'à l'extrémité (Fig. 3), puis vissez le capuchon sur la goulotte **2** (Fig. 4).

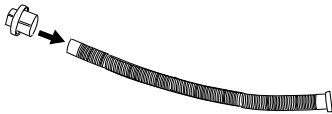


fig. 3

- 3) Assurez-vous que l'extrémité du flexible ne soit pas plus haut que la goulotte (Fig. 3), ou l'eau pourrait demeurer dans le réservoir. Assurez-vous qu'il n'y ait aucune coque dans le flexible (Fig. 5).

i Conservez la bonde en caoutchouc pour fermer la goulotte.

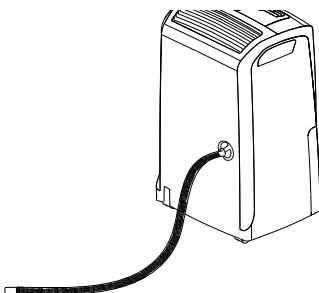


fig. 4

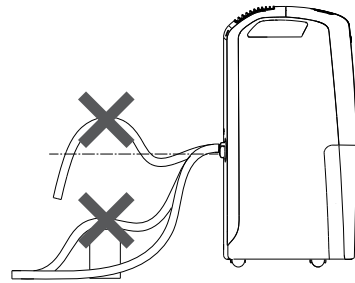


fig. 5

C) Vidange en continu à l'aide de la pompe (uniquement sur les modèles avec pompe)

Le système exclusif de pompe de série lourde permet de retirer jusqu'à 4 m (13,12 pi) de hauteur. Si vous souhaitez que l'eau coule directement vers un drain, connectez le tuyau de vidange du condensat fourni (9) au tuyau de connexion situé sur la partie inférieure avant de l'appareil (vous aurez à retirer en premier la butée étiquetée PUMP) (Fig. 6). Sélectionnez la fonction de déshumidification, puis appuyez sur le bouton PUMP.

Note: si le tuyau de vidange du condensat n'est pas installé et que la pompe est sur ON, le voyant PUMP clignotera. Pour éliminer ce problème :

- vérifiez que le flexible est correctement installé;
- débranchez, puis rebranchez l'appareil.

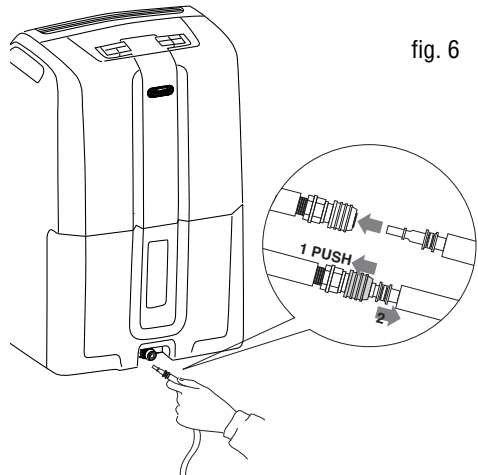
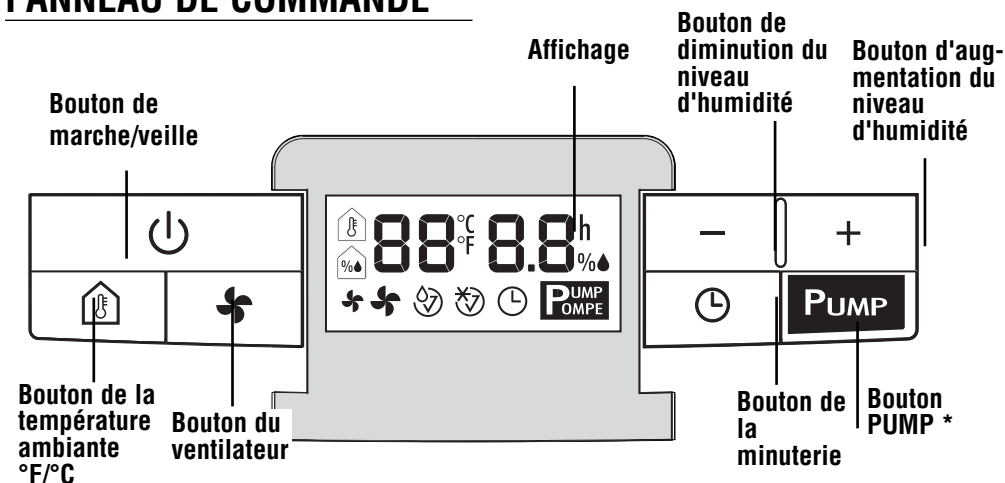


fig. 6

PANNEAU DE COMMANDE



* (uniquement sur certains modèles)

Description des boutons

1 Bouton de marche/veille

Bouton de marche/veille

2 Bouton du ventilateur

Appuyez sur ce bouton pour sélectionner la vitesse du ventilateur (MIN ou MAX).

3 Bouton du thermomètre

Affiche temporairement la température qui est relevée dans la pièce par l'appareil. Si vous appuyez sur le bouton une fois, l'affichage indiquera la température en °F pendant quelques secondes, puis en °C pendant quelques secondes, et l'affichage retourne ensuite au niveau actuel d'humidité dans la pièce. Si vous appuyez sur le bouton plusieurs fois, il défilera les cycles plus rapidement. Note : les températures affichées sont uniquement à titre indicatif.

4 Boutons d'augmentation/de diminution de l'humidité — +

Règle le pourcentage de l'humidité dans la pièce et l'augmente ou le diminue par incrément de 5 %.

Ces boutons sont utilisés pour régler le niveau souhaité d'humidité par incrément de 5 %; ils servent également à régler la minuterie. De 0-10. les heures augmentent de 30 minutes et de 10-24, les heures augmentent par incrément d'une (1) heure.

5 Bouton PUMP

(uniquement sur certains modèles)

Lorsque vous appuyez sur le bouton PUMP, l'affichage indiquera PUMP. Si le voyant PUMP cligno-

te, ceci signifie que la pompe ne fonctionne pas de façon appropriée.

6 Bouton de la minuterie

Si vous appuyez sur le bouton de la minuterie, l'affichage indiquera l'heure à laquelle vous souhaitez que l'appareil s'arrête ou se mette en marche. Une fois que la minuterie aura été réglée, l'utilisateur ne pourra plus régler le % d'HR.

Affichage

Signification des codes ou des symboles qui peuvent s'afficher.

-- -- Indique que l'appareil est en veille.



Voyant d'avertissement du réservoir

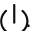
Si le réservoir d'eau est plein, placé incorrectement ou n'y est pas, le voyant d'avertissement du réservoir commencera à clignoter. Une alarme se fera entendre jusqu'à ce que le réservoir soit vidé ou correctement placé.





Symbole d'indication du dégivrage

Avec une température ambiante de moins de 15 °C (59 °F), l'appareil effectue les cycles de dégivrage. Lorsque l'appareil est en dégivrage, le symbole de dégivrage s'allume et demeure allumé jusqu'à ce que le dégivrage soit complété. Ce symbole sera également affiché si l'appareil est allumé immédiatement après avoir été éteint. 3 minutes seront nécessaires pour que l'appareil fonctionne de nouveau.

SÉLECTION DES MODES

- 1) Branchez l'appareil dans une prise de secteur.
- 2) L'affichage indiquera "-- --" lorsque l'appareil est en mode de veille et prêt à être utilisé.
Si l'affichage indique "☞", vous devez vider le réservoir, ou le réservoir est incorrectement placé.
- 3) Appuyez sur le bouton de marche/veille 

Mode de déshumidification

L'affichage indiquera sur le côté gauche le niveau d'humidité de la pièce (par exemple,  53) et sur le côté droit l'affichage indiquera le degré d'humidité que vous souhaitez atteindre (par exemple, 58 %

Appuyez sur les boutons "+" ou "-" pour régler le niveau d'humidité souhaité (30 % signifie un environnement sec, 80 % un environnement humide). Appuyez sur la touche "🌀" pour sélectionner la vitesse du ventilateur (MIN/MAX).

Si vous sélectionnez MAX, l'appareil fonctionnera à la vitesse maximale.

Si vous sélectionnez MIN, l'appareil fonctionnera à la vitesse minimale, mais les niveaux de bruit seront moindres.

Appuyez sur le bouton "🌡️" pour indiquer la température à l'affichage ACL.

Sur le côté gauche, l'affichage indiquera en premier la température en °F puis la température en °C. Après quelques secondes, l'affichage indiquera automatiquement le niveau d'humidité.

Lorsque l'appareil aura atteint le niveau d'humidité qui aura été programmé, il s'arrêtera automatiquement, mais le ventilateur fonctionnera à la vitesse minimale.

Dès que l'humidité dépassera le point de consigne, l'appareil recommencera automatiquement le cycle de déshumidification.

Fonction de déshumidification continue

Pour le fonctionnement en mode de déshumidification continue, appuyez sur le bouton "--" jusqu'à ce que l'affichage indique "--".

Cette fonction est particulièrement utilisée lorsque vous devez sécher rapidement votre lessive.

L'appareil fonctionne alors en mode continu.

MINUTERIE

Comment programmer la fonction de mise en marche différée : de la position d'ARRÊT

- 1) Avec l'appareil en mode de veille, appuyez sur le bouton "🕒".
Sur le côté droit, l'affichage indiquera "🕒" et l'heure à laquelle l'appareil devrait se mettre en marche.
- 2) Utilisez les boutons + et - pour régler l'heure souhaitée (0,5÷24 h).
Attendez quelques secondes pour régler l'appareil.
Le symbole "🕒" et l'heure restante demeureront à l'affichage.
- 3) Lorsque l'heure sélectionnée sera atteinte, l'appareil se mettra en marche.

Comment programmer la fonction de mise en marche différée : de la position de MARCHÉ

- 1) Avec l'appareil à la position de MARCHÉ, appuyez sur le bouton "🕒".
Sur le côté droit, l'affichage indiquera "🕒" et l'heure à laquelle l'appareil devrait s'arrêter.
- 2) Utilisez les boutons + et - pour régler l'heure souhaitée (0,5÷24 h).
Attendez quelques secondes pour régler l'appareil.
Le symbole "🕒" et l'heure restante demeureront à l'affichage.
- 3) Lorsque l'heure sélectionnée sera atteinte, l'appareil s'arrêtera.

Comment modifier ou désactiver la minuterie

Si vous souhaitez modifier la valeur de consigne, appuyez une fois sur le bouton de la minuterie, puis appuyez sur les boutons + et -.

Si vous souhaitez désactiver la minuterie, appuyez sur le bouton de la minuterie deux fois.

NETTOYAGE ET MAINTENANCE

Débranchez toujours l'appareil de la prise de secteur avant toute opération de nettoyage ou de maintenance.

Pour des raisons de sécurité, évitez de laver le déshumidificateur au jet d'eau.

Nettoyage du caisson

- Nettoyez l'appareil à l'aide d'un chiffon humide, puis essuyez avec un chiffon sec.
- N'utilisez pas d'essence, ni d'alcool, ni de solvant pour nettoyer l'appareil.
- Ne vaporisez pas d'insecticide liquide, ni de produit similaire, il pourrait déformer la matière plastique.

Nettoyage du filtre à poussière

Si le filtre est sale, la circulation de l'air s'avère difficile et les fonctions de déshumidification et de purification de l'air perdent de leur efficacité.

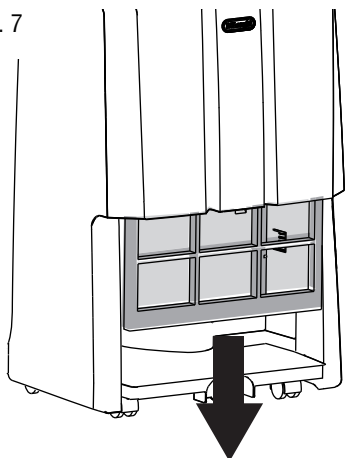
Il est par conséquent recommandé que vous nettoyez le filtre à intervalles réguliers.

La fréquence est en fonction de la durée et des conditions de fonctionnement.

Si l'appareil est utilisé constamment et systématiquement, il est recommandé que vous nettoyez le filtre une fois par semaine.

Pour retirer le filtre à air, tirez-le vers le bas, tel qu'il est indiqué à la figure.

fig. 7



Si l'appareil n'est pas utilisé pendant de longues périodes

- Avant de débrancher l'appareil de la prise de secteur, videz le réservoir.
- Nettoyez le filtre, puis replacez-le.
- Couvrez l'appareil avec un sac en plastique pour le protéger de la poussière.

FICHE TECHNIQUE



Tension d'alimentation	Voir plaque signalétique
Puissance absorbée	"
Puissance maximale absorbée	"
Dispositif de protection contre le gel	Oui
Hygromètre	Oui
Vitesses du ventilateur	2
Filtre à air	Oui

Limites de fonctionnement:

température	41°F - 89.6°F (5°C - 32°C)
humidité relative	30-90%

DÉPANNAGE

Vérifiez les points suivants avant de communiquer avec votre Centre de services agréé.

PANNES	CAUSES	SOLUTION
L'appareil fonctionne en mode de déshumidification, mais l'humidité ne diminue pas.	<p>Le filtre est bloqué.</p> <p>La température ou l'humidité dans la pièce sont trop basses.</p> <p>La pièce est trop grande pour la capacité de déshumidification de l'appareil.</p> <p>Il y a un trop grand nombre de sources d'humidité dans la pièce (de l'eau qui bout dans des marmites).</p> <p>Le point de consigne de l'humidité qui est programmé est réglé à un niveau trop élevé.</p>	<p>Nettoyez le filtre.</p> <p>Dans certaines conditions, il est normal que l'appareil ne déshumidifie pas (dans certains cas, il est conseillé que vous chauffiez l'environnement).</p> <p>Diminuez le point de consigne de l'humidité qui est programmé.</p>
L'appareil ne fonctionne pas pendant 3 minutes après la mise en marche.	Le dispositif de sécurité de l'appareil s'est déclenché.	Attendez 3 minutes.
<p> s'affiche.</p> <p> s'affiche.</p> <p>"E2"/"E3" s'affiche Le symbole PUMP s'affiche.</p>	<p>Le réservoir n'y est pas.</p> <p>Le réservoir est plein.</p> <p>Le réservoir est incorrectement placé.</p> <p>La température de la pièce est très basse.</p> <p>Un des capteurs de l'appareil est défectueux. La pompe de vidange du condensat n'y est pas.</p>	<p>Remplacez le réservoir.</p> <p>Videz le réservoir.</p> <p>Placez le réservoir correctement.</p> <p>Augmentez la température ambiante.</p> <p>Communiquez avec le Centre de services. Vérifiez que le flexible est installé correctement. Débranchez, puis rebranchez la fiche.</p>

Cette garantie s'applique à tous les appareils ménagers de marques De'Longhi ou Kenwood.

RÉSERVÉ UNIQUEMENT AUX ÉTATS-UNIS CONTIGUS ET LE CANADA

Garantie limitée

Nous garantissons que chaque appareil de DeLonghi est exempt de défauts de matériel et de fabrication. À compter de la date d'achat, notre obligation selon cette garantie est d'offrir une (1) année de pièces de rechange et de main-d'œuvre gratuites sur l'appareil entier, avec quatre (4) années supplémentaires de pièces de rechange gratuites pour le système scellé consistant en le compresseur, l'évaporateur, le condenseur et les tubes frigorifiques connectés à l'usine. La main-d'œuvre et toutes les autres pièces pendant les quatre (4) années supplémentaires de garantie doivent être payées par le propriétaire. (Pour le Canada uniquement: veuillez contracter le revendeur chez qui l'appareil a été acheté ou le centre de services agréé de DeLonghi le plus proche de chez vous pour tous travaux d'entretien et de réparation sur les climatiseurs.) Tout appareil devant être réparés doit être expédié à un centre de réparation autorisé de DeLonghi aux frais du propriétaire et DeLonghi encourra alors les frais du transport de retour. Après les cinq (5) premières années de possession, tous les frais (pour les pièces de rechange, la main-d'œuvre et le transport) devront être payés par le propriétaire de l'appareil. Cette garantie ne s'appliquera que si l'appareil est utilisé conformément aux instructions de l'usine qui l'accompagnent et sur un circuit électrique à courant alternatif (c.a.). Cette garantie remplace toute autre garantie et représentation, explicite ou implicite, et toute autre obligation ou responsabilité de notre part. Nous n'autorisons aucune autre personne ou société à assumer, en notre nom, des obligations associées à la vente ou l'utilisation de notre appareil. Cette garantie ne s'appliquera ni aux appareils qui ont été réparés ou modifiés en dehors de notre usine ni aux appareils qui ont fait l'objet d'une mauvaise utilisation, d'une négligence ou d'accidents.

Si des réparations s'avèrent nécessaires, consultez les coordonnées ci-dessous :

Résidents des É.-U. :

Veuillez appeler, sans frais, notre ligne téléphonique au **1-800-322-3848** ou visitez notre site Web à **www.delonghi.com**.

Pour tous les accessoires, des pièces détachées ou des pièces de rechange, veuillez contacter notre service des pièces détachées au **1-800-865-6330**.

Autres pays : Veuillez visitez **www.delonghi.com**.

Free Manuals Download Website

<http://myh66.com>

<http://usermanuals.us>

<http://www.somanuals.com>

<http://www.4manuals.cc>

<http://www.manual-lib.com>

<http://www.404manual.com>

<http://www.luxmanual.com>

<http://aubethermostatmanual.com>

Golf course search by state

<http://golfingnear.com>

Email search by domain

<http://emailbydomain.com>

Auto manuals search

<http://auto.somanuals.com>

TV manuals search

<http://tv.somanuals.com>