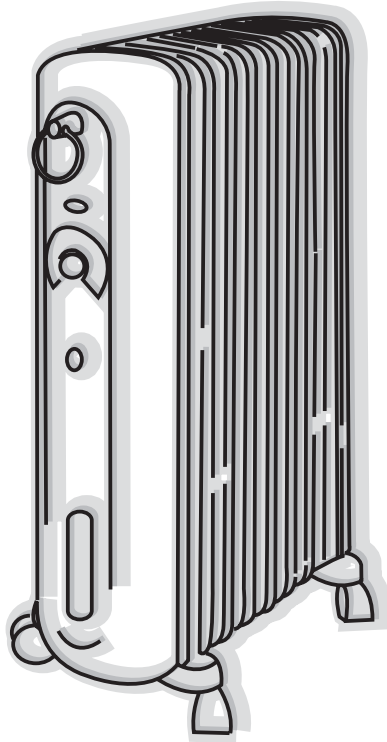


instructions

# DeLonghi



## RETRO OIL FILLED RADIATOR MTR2000

Please retain these instructions for future reference



*Living innovation*

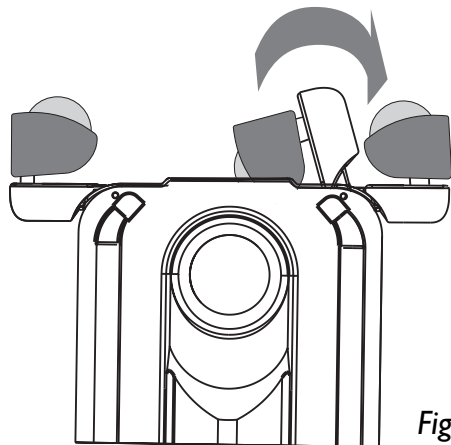
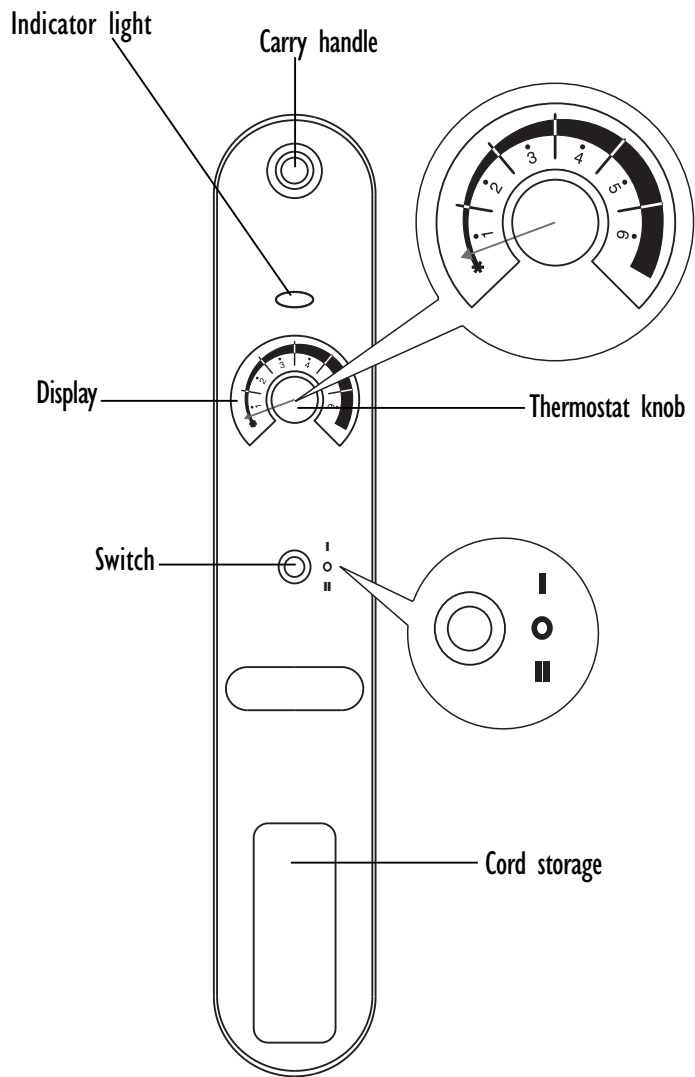


Fig. 1

**Thank you for choosing this De'Longhi radiator. To get the very best out of your new radiator it is advisable to read these instructions before using it. This will ensure that you gain optimum results and use the appliance safely.**

### **General instructions**

1. Take the radiator out of its packaging and remove any polystyrene pieces or any other packaging material that might be lodged inside it.
2. Check that neither the radiator nor the power cable has been damaged in any way during transportation.
3. Do not operate the radiator if damaged.

### **Easy wheel system**

Turn the radiator upside-down on a rug or a soft surface in order to prevent damaging the paint finish.

Fully unfold the castors by turning them outwards (Fig.1).

Turn the radiator back to its upright position.

### **Electrical connection**

- Before plugging the radiator into the mains, check that your supply voltage is the same as that shown on the rating plate of the radiator.
- If using more than one appliance at a time, it is important to ensure that the ring main is adequate to cope with the power requirements.
- It is important to ensure that the socket is adequately earthed.
- This appliance complies with EEC directive 89/336 regarding electromagnetic compatibility.

### **Instruction for use**

#### **Using for the first time**

On using the radiator for the first time we advise that you turn it on to the maximum power setting for up to 8 hours. This is to eliminate the heater's "new odour". During this time ensure that the room is well ventilated.

### **Operation and use**

#### **Turning the appliance on**

Insert the plug into the mains socket and switch on turning the thermostat knob clockwise until it can be turned no further, then position the switch up in the **I** position (minimum power) or down in the **II** position (maximum power). The indicator light will come on.

We suggest that on days when temperatures are not particularly cold. Select minimum output to optimize savings on energy consumption.

## How to switch the radiator off

To switch the radiator OFF position the switch in the "0" position (in the middle position).

## Adjusting the thermostat

When the room has reached the desired temperature, turn the thermostat knob slowly in an anticlockwise direction until you hear a click and the radiator turns off (indicator light off). The thermostat will now keep the temperature in the room constant, turning the heater on and off as appropriate.

## Frost protection function

With the thermostat knob in position ✖ and the switch in the II position, the radiator maintains the room at a temperature of about 5°C, preventing freezing with minimum energy consumption.

## Cleaning and maintenance

The heater should not require any maintenance. However before attempting to clean the heater, unplug from the mains and wait for it to cool (this should take around 30 minutes). It is sufficient to remove external dust with a soft, dry cloth. Never use abrasive powders or solvents. If necessary, remove concentrated areas of dirt with a vacuum cleaner.

## Warnings

- Do not use the heater in a bathroom or in the vicinity of bathtubs, wash basins, showers or swimming pools.
- Never use the heater to dry laundry.
- Never rest the power cable on the heater's elements while it is hot.
- Only use the heater in an upright position.
- The heater must be positioned at least 50cm from furniture or other objects.
- If the supply cord is damaged, it must be replaced by the manufacturer, its service agent or similarly qualified persons in order to avoid a hazard.
- It is normal for the heater to make 'crackling' noises during its first use (or if it has not been used for a long time).
- The body of the heater is filled with an exact quantity of oil. If repairs are necessary which call for the opening of the heater, they must be done only by the manufacturer or an authorised service centre.
- In the unlikely event of oil leakage, contact the manufacturer or an authorised service centre.
- Do not use this radiator in rooms which have a floor area smaller than 4m<sup>2</sup> as this may lead to overheating.

- The heater must never be placed immediately under a fixed mains socket.
- When scrapping the radiator, respect legislation on the disposal of oil.
- The use of an extension lead is not recommended, however if it is necessary then follow carefully the extension lead's instructions, and most importantly ensure that the extension lead is correctly rated in accordance with the radiator being used and NEVER overloaded.
- In order to avoid any danger caused by an accidental resetting of the safety system, this radiator must not be powered through an external timer.
- As with any electrical radiator, whilst the instructions aim to cover as many eventualities as possible, caution and common sense should be applied when operating your radiator, particularly in the vicinity of young children.

The radiator is fitted with a **safety device** which turns the radiator off in case of accidental overheating. To reset, disconnect the plug from the power for 30 minutes, remove the cause of overheating then plug the radiator in again.



**IMPORTANT:** never for any reason cover the radiator during operation as this could lead to dangerous overheating.

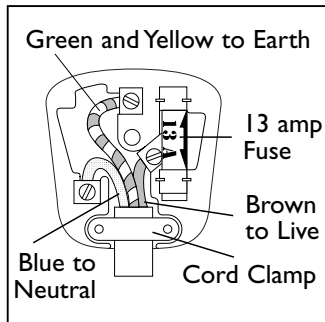
### **IMPORTANT INFORMATION FOR CORRECT DISPOSAL OF THE PRODUCT IN ACCORDANCE WITH EC DIRECTIVE 2002/96/EC.**



At the end of its working life, the product must not be disposed of as urban waste.

It must be taken to a special local authority differentiated waste collection centre or to a dealer providing this service. Disposing of a household appliance separately avoids possible negative consequences for the environment and health deriving from inappropriate disposal and enables the constituent materials to be recovered to obtain significant savings in energy and resources. As a reminder of the need to dispose of household appliances separately, the product is marked with a crossed-out wheeled dustbin.

**Warning - this appliance must be earthed**



## Electrical requirements

**Before using this appliance ensure that the voltage indicated on the product corresponds with the main voltage in your home, if you are in any doubt about your supply contact your local electricity company.**

The flexible mains lead is supplied connected to a B.S. 1363 fused plug having a fuse of 13 amp capacity. Should this plug not fit the socket outlets in your home, it should be cut off and replaced with a suitable plug, following the procedure outlined below.


**Note:** Such a plug cannot be used for any other appliance and should therefore be properly disposed of and not left where children might find it and plug it into a supply socket - with the obvious consequent danger.

**N.B.** We recommend the use of good quality plugs and wall sockets that can be switched off when the machine is not in use.

**Important:** the wires in the mains lead fitted to this appliance are coloured in accordance with the following code:

GREEN AND YELLOW	EARTH
BLUE	NEUTRAL
BROWN	LIVE

As the colours of the wires in the mains lead of this appliance may not correspond with the coloured markings identifying the terminals in your plug, proceed as follows:

The wire which is coloured green and yellow must be connected to the terminal in the plug which is marked with the letter E or by the earth symbol  or coloured green or green and yellow.

The wire which is coloured blue must be connected to the terminal which is marked with the letter N or coloured black.

The wire which is coloured brown must be connected to the terminal which is marked with the letter L or coloured red.

When wiring the plug, ensure that all strands of wire are securely retained in each terminal. Do not forget to tighten the mains lead clamp on the plug. If your electricity supply point has only two pin socket outlets, or if you are in doubt, consult a qualified electrician.

Should the mains lead ever require replacement, it is essential that this operation be carried out by a qualified electrician and should only be replaced with a flexible cord of the same size.

After replacement of a fuse in the plug, the fuse cover must be refitted. If the fuse cover is lost, the plug must not be used until a replacement cover is obtained. The colour of the correct replacement fuse cover is that of the coloured insert in the base of the fuse recess or elsewhere on the plug. Always state this colour when ordering a replacement fuse cover.

Only 13amp replacement fuses which are ASTA approved to B.S. 1362 should be fitted.

This appliance conforms to the Norms EN 55014 regarding the suppression of radio interference.

5785012900/04.07

## Free Manuals Download Website

<http://myh66.com>

<http://usermanuals.us>

<http://www.somanuals.com>

<http://www.4manuals.cc>

<http://www.manual-lib.com>

<http://www.404manual.com>

<http://www.luxmanual.com>

<http://aubethermostatmanual.com>

Golf course search by state

<http://golfingnear.com>

Email search by domain

<http://emailbydomain.com>

Auto manuals search

<http://auto.somanuals.com>

TV manuals search

<http://tv.somanuals.com>