

CTF2134C/S TOASTER

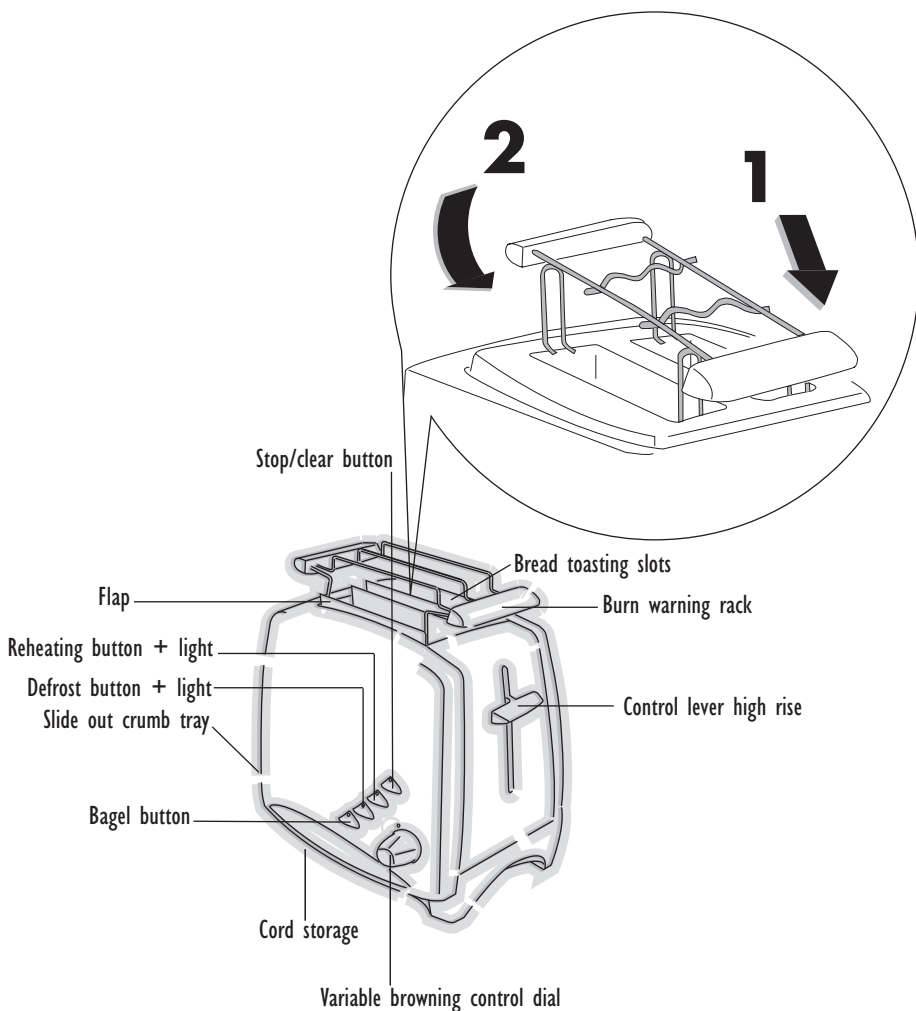
Please retain these instructions for future reference



Living innovation

Description of Appliance

The following terms are used throughout the instruction manual



Thank you for choosing this De'Longhi Toaster. To get the best results from your new appliance it is advisable to read these instructions carefully before using the appliance. This is the only way to ensure optimum results and maximum safety.

Using for the first time

- Carefully unpack the toaster and remove all of the packaging material.
- Place the toaster on a flat working surface away from water taps and sinks.
- Before using for the first time, to eliminate the new smell, operate the toaster without bread inside for at least 5 minutes. Ensure there is plenty of ventilation in the room.
- Check that the mains supply corresponds to the voltage on the the appliance rating plate. Connect the appliance to a correctly earthed power socket (minimum rating 10A) only.
The manufacturer declines all liability for any accidents due to the incorrect earthing of the appliance.
- Please read safety warnings and electrical requirements before using this appliance.

Using the Toaster

- Make sure that the control lever is raised and the variable browning control dial is set for a medium toasting level.
- Connect the appliance to the electrical outlet. In order to eliminate the “new” smell at the first use, operate the appliance without any food inside for at least 5 minutes. Ventilate the room during this operation.
- Insert the slices of bread into the bread toasting slots and lower the control lever until it is all the way down.
When the control lever is depressed, the flaps on the top of the bread toasting slots will close and the fan, which allows faster toasting, will switch on to maintain cooler touch sides even after several toasting cycles.
In order to keep the toaster cooler touch, the fan will continue to operate for another minute even if the toaster has been switched off.
Note: If the appliance is not connected to the electrical outlet, the lever will not go all the way down.
- When the toasting is finished, the control lever returns to the raised position, raising the toasted bread slices at the same time.
- If the bread is not sufficiently toasted, select a darker degree of toasting by turning the browning control dial. If it is too dark, select a lesser degree of toasting.
- The toasting can be interrupted at any time by simply pressing the stop/clear button.

Caution: the Bread toasting slots and the flaps become very hot during operation. Do not touch.

- Never use the toaster without bread inserted.
- Do not use very thin or broken slices of bread.
- Do not insert other foods that may drip during the cooking process. As well as making the cleaning procedure more difficult it may be a potential fire hazard. It is also very important to clean the crumb tray before each use.
- Do not insert (by force) foods that are too big for the slots.
- Do not insert forks or other utensils into the toaster in order to remove bread, as it may damage the resistance coils of the appliance. Remove the plug from the socket and turn the appliance over, gently shaking it to remove the lodged items.

Cleaning and maintenance

- Before cleaning or maintenance, always unplug from the mains socket.
- Allow the appliance to cool down before cleaning.
- Use a damp cloth only to clean the outside of the appliance.
- Do not use abrasive detergents as these could ruin the surface.
- **DO NOT IMMERSE IN WATER.**
- After using the appliance, always unplug from the mains and empty the crumb tray on the bottom of the toaster.
- If a slice of toast remains stuck in the slot, unplug the toaster from the mains, turn upside down, and shake gently.
- **NEVER TOUCH ANY PART OF THE TOASTER WITH SHARP UTENSILS, ESPECIALLY INSIDE THE TOASTING SLOTS.**

Safety Warnings

- The appliance is exclusively for the use for which it has been manufactured. Any other use is to be considered inappropriate and therefore dangerous. The manufacturer cannot be held responsible for eventual damage caused by inappropriate, improper or irresponsible use and/or for repairs made to the product by unauthorised personnel.
- After removing the appliance from the packaging, make sure that the product is complete and in perfect condition.
- The plastic bag in which the appliance was packaged should be kept out of reach of children as it poses a suffocation hazard.
- In order to remove the dust that may have accumulated on the appliance, simply dust it off with a soft cloth.
- Before inserting the plug into the electrical socket, make certain:
 - The voltage of the socket corresponds to the value indicated on the information label, attached to the appliance.
 - The electrical socket is adequately earthed, the manufacturer declines any responsibility for the lack of observation of this norm.

Reheat function

Press down the control lever and press the reheat button. The reheat light will remain on while the reheat function is in use. Please note that this is a fixed reheat time that cannot be adjusted by the browning control.

Defrost function

You may toast slices of frozen bread by pressing the defrost button immediately after having lowered the control lever; the toasting cycle will be lengthened in order to achieve the desired toasting level. The red warning light will remain lit while the defrost function is in use.

Bagel function

The "Bagel" function allows for the toasting of muffins, bread etc. on one side only.

Muffins must first be sliced in half and inserted with the cuts sides facing out; lower the lever and press the Bagel button.

The red warning light will remain lit while the Bagel function is in use.

"WARMING RACK" device

Use this device to heat food.

- Fasten the rack to the appliance by first inserting the hooks L and then clicking in the hooks, as shown in the Figure on page 2. (1-2), muffins or already toasted items.
- Rest the food on the rack.
- Turn the browning control dial to the desired position.
- Press down the control control lever until it clicks into place.
- If the food is not warm enough, next time select a darker level of toasting.

Hints and Tips for better toasting

- If your toaster is not plugged in and switched on, the control lever will not lock in the down position.
- For best results use bread slices of even thickness, size and freshness.
Select a lower setting if:
 - a) using stale bread (toasts more quickly than fresh bread)
 - b) using thin bread (toasts more quickly than thick bread)
- To remove smaller items such as muffins, crumpets and bagels the control lever can be lifted approximately 20mm above the starting position.
- To achieve even browning, we suggest a minimum of 30 seconds between each toasting to allow the control to automatically reset.

- In the case of incompatibility between the socket and the plug of the appliance, have it replaced by a qualified technician. The use of adapters, multiple socket units and/or extension cables is not recommended. Whenever it may be necessary to use such equipment, it is advisable to use only single or multiple adapters or extension cables which comply with the current safety standards, and make sure not to exceed the wattage limit of the adapter or extension cable.
- When the appliance is plugged into the electrical socket and whilst switched on never place hands into the bread toasting slots.
- Never allow the appliance to be used by children or used without adult supervision.
- Do not touch the appliance with wet or damp hands.
- The areas surrounding the bread slots become very hot during use: operating the toaster should be carried out touching only the plastic controls.
- **Bread is a foodstuff which may catch fire.** Do not use this appliance under or next to curtains or other combustible material.
- Do not cover the appliance while it is in use.
- Do not use the appliance with bare or wet feet.
- Unplug the appliance from the electrical socket when it is not in use.
- Do not unplug the appliance from the outlet by pulling on the cord.
- Do not leave the appliance exposed to the elements, (rain, direct sunlight, frost, etc.).
- Before doing any cleaning unplug the appliance from the electrical socket. Do not immerse the appliance, the plug, or the electrical cable in water.
- In case of breakage or improper cable functioning of the appliance, turn off the appliance without tampering with it. For necessary repairs or replacement of the electrical cable, consult the technical service centre authorised by the manufacturer.
- As with any electrical appliance, whilst the instructions aim to cover as many eventualities as possible, caution and common sense should be applied when operating your appliance, particularly in the vicinity of young children.

This appliance conforms to the Directive 89/336/CEE relative to electromagnetic compatibility.

The materials and the objects destined for contact with food products are in compliance with the regulations of the EEC directive 89/109.

Electrical Requirements

Before using this appliance ensure that the voltage indicated on the product corresponds with the mains voltage in your home, if you are in any doubt about your supply contact your local electricity company.

The flexible mains lead is supplied connected to a B.S. 1363 fused plug having a fuse of 13 amp capacity. Should this plug become damaged it should be cut off and replaced with a suitable plug, following the procedure outlined below.


Note: Such a plug cannot be used for any other appliance and should therefore be properly disposed of, (having removed the fuse) and not left where children might find it and plug it into a supply socket - with the obvious consequent danger.

N.B. We recommend the use of good quality plugs and wall sockets that can be switched off when the machine is not in use.

Important: the wires in the mains lead fitted to this appliance are coloured in accordance with the following code:

GREEN AND YELLOW	EARTH
BLUE	NEUTRAL
BROWN	LIVE

As the colours of the wires in the mains lead of this appliance may not correspond with the coloured markings identifying the terminals in your plug, proceed as follows:

The wire which is coloured green and yellow must be connected to the terminal in the plug which is marked with the letter **E** or by the earth symbol  or coloured green or green and yellow.

The wire which is coloured blue must be connected to the terminal which is marked with the letter **N** or coloured black.

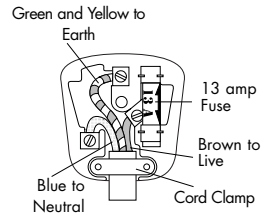
The wire which is coloured brown must be connected to the terminal which is marked with the letter **L** or coloured red.

When wiring the plug, ensure that all strands of wire are securely retained in each terminal. Do not forget to tighten the mains lead clamp on the plug. If your electricity supply point has only two pin socket outlets, or if you are in doubt, consult a qualified electrician. Should the mains lead ever require replacement, it is essential that this operation be carried out by a qualified electrician and should only be replaced with a flexible cord of the same size.

If the plug is a moulded-on type the fuse cover must be refitted. If the fuse cover is lost, the plug must not be used until a replacement cover is obtained. The colour of the correct replacement fuse cover is that of the coloured insert in the base of the fuse recess or elsewhere on the plug. Always state this colour when ordering a replacement fuse cover. Only 13amp replacement fuses which are asta approved to B.S. 1362 should be fitted.

This appliance conforms to the Norms EN 55014 regarding the suppression of radio interference.

Warning
this appliance must be earthed



Free Manuals Download Website

<http://myh66.com>

<http://usermanuals.us>

<http://www.somanuals.com>

<http://www.4manuals.cc>

<http://www.manual-lib.com>

<http://www.404manual.com>

<http://www.luxmanual.com>

<http://aubethermostatmanual.com>

Golf course search by state

<http://golfingnear.com>

Email search by domain

<http://emailbydomain.com>

Auto manuals search

<http://auto.somanuals.com>

TV manuals search

<http://tv.somanuals.com>