
TOSTAPANE

TOASTER

GRILLE-PAIN

TOASTER

BROODROOSTER

TOSTADOR

TORRADEIRA

ΦΡΥΓΑΝΙΕΡΑ

BRØDRISTER

BRØDRISTER

BRÖDROST

LEIVÄNPAAHDIN

TOSTER

KENYÉRPIRÍTÓ

TOUSTOVAČ

ТОСТЕР

TOSTER

HRIANKOVAČ

TOASTER

ТОСТЕР

TOASTER

Istruzioni per l'uso
Instructions
Mode d'emploi
Gebrauchsanweisungen
Gebruiksaanwijzingen
Instrucciones para el uso
instruções de utilização
Οδηγίες χρήσης
Brugsanvisning
Bruksanvisning
Bruksanvisning
käyttöohjeet
Instrukcja obsługi
Használati utasítás
návod k použití
Инструкции по эксплуатации
upute za uporabu
návod na používanie
navodila za uporabo
инструкции за експлоатация
Instrucțiuni de folosire



ELECTRICAL REQUIREMENTS (UK ONLY)

Before using this appliance ensure that the voltage indicated on the product corresponds with the main voltage in your home, if you are in any doubt about your supply contact your local electricity company.

The flexible mains lead is supplied connected to a B.S. 1363 fused plug having a fuse of 13 amp capacity. Should this plug not fit the socket outlets in your home, it should be cut off and replaced with a suitable plug, following the procedure outlined below.

Note: Such a plug cannot be used for any other appliance and should therefore be properly disposed of, (having removed the fuse) and not left where children might find it and plug it into a supply socket - with the obvious consequent danger.

N.B. We recommend the use of good quality plugs and wall sockets that can be switched off when the machine is not in use.

IMPORTANT: the wires in the mains lead fitted to this appliance are coloured in accordance with the following code:

GREEN AND YELLOW
BLUE
BROWN

EARTH
NEUTRAL
LIVE

As the colours of the wires in the mains lead of this appliance may not correspond with the coloured markings identifying the terminals in your plug, proceed as follows:

The wire which is coloured green and yellow must be connected to the terminal in the plug which is marked with the letter E or by the earth symbol \perp or coloured green or green and yellow.

The wire which is coloured blue must be con-

nected to the terminal which is marked with the letter N or coloured black.

The wire which is coloured brown must be connected to the terminal which is marked with the letter L or coloured red.

When wiring the plug, ensure that all strands of wire are securely retained in each terminal. Do not forget to tighten the mains lead clamp on the plug. If your electricity supply point has only two pin socket outlets, or if you are in doubt, consult a qualified electrician.

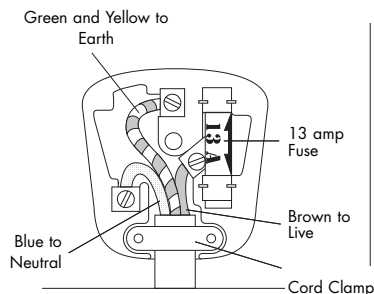
Should the mains lead ever require replacement, it is essential that this operation be carried out by a qualified electrician and should only be replaced with a flexible cord of the same size.

If the plug is a moulded-on type the fuse cover must be refitted. If the fuse cover is lost, the plug must not be used until a replacement cover is obtained. The colour of the correct replacement fuse cover is that of the coloured insert in the base of the fuse recess or elsewhere on the plug. Always state this colour when ordering a replacement fuse cover.

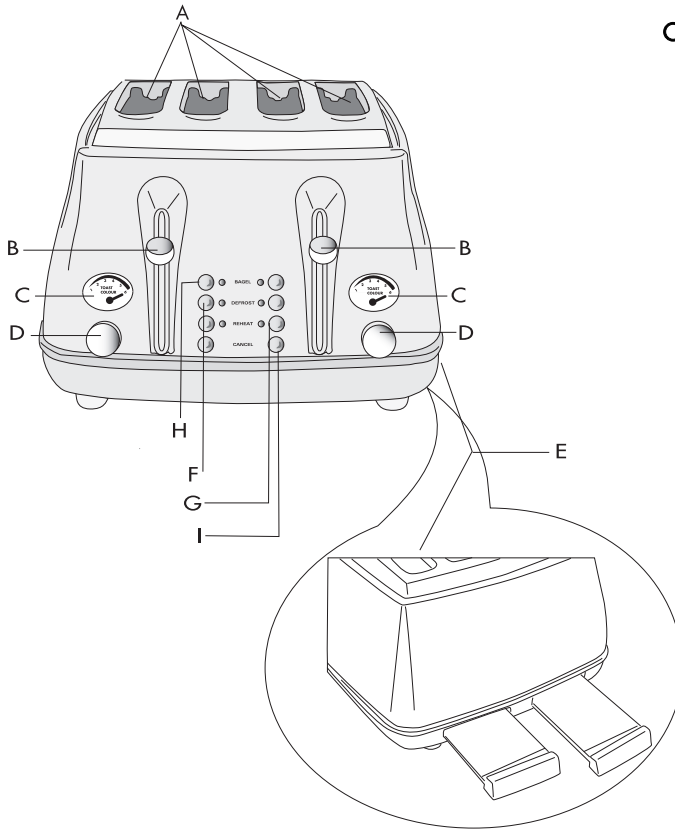
Only 13amp replacement fuses which are ASTA approved to B.S. 1362 should be fitted.

This appliance conforms to the Norms EN 55014 regarding the suppression of radio interference.

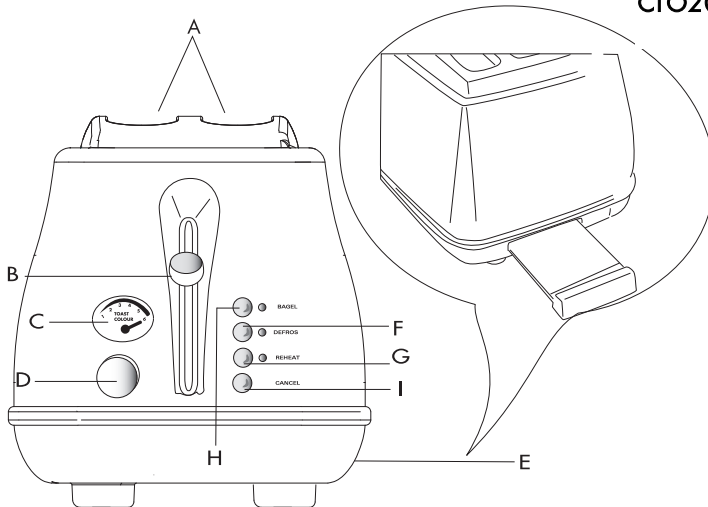
WARNING - THIS APPLIANCE MUST BE EARTHED



CTO4003 Series



CTO2003 Series



Free Manuals Download Website

<http://myh66.com>

<http://usermanuals.us>

<http://www.somanuals.com>

<http://www.4manuals.cc>

<http://www.manual-lib.com>

<http://www.404manual.com>

<http://www.luxmanual.com>

<http://aubethermostatmanual.com>

Golf course search by state

<http://golfingnear.com>

Email search by domain

<http://emailbydomain.com>

Auto manuals search

<http://auto.somanuals.com>

TV manuals search

<http://tv.somanuals.com>