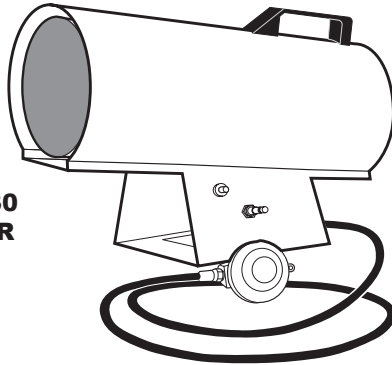


DESA™

INDOOR/OUTDOOR PRODUCTS

CANADIAN PROPANE CONSTRUCTION FORCED AIR HEATER OWNER'S MANUAL



**MODEL RCLP30
30,000 BTU/HR**



IMPORTANT: Read and understand this manual before assembling, starting or servicing heater. Improper use of heater can cause serious injury. Keep this manual for future reference.

⚠ GENERAL HAZARD WARNING:

Failure to comply with the precautions and instructions provided with this heater, can result in death, serious bodily injury and property loss or damage from hazards of fire, explosion, burn, asphyxiation, carbon monoxide poisoning and/or electrical shock.

Only persons who can understand and follow the instructions should use or service this heater.

If you need assistance or heater information such as an instructions manual, labels, etc. contact the manufacturer.

TABLE OF CONTENTS


Safety Information	2	Maintenance	6
Unpacking	3	Troubleshooting	7
Product Identification	3	Technical Service	7
Theory of Operation	3	Accessory	7
Assembly	4	Service Procedures	8
Propane Supply	4	Specifications	9
Ventilation	4	Illustrated Parts Breakdown and Parts List	10
Installation	5	Replacement Parts	11
Operation	5	Warranty and Repair Service	12
Storage	6		

Save this manual for future reference.

For more information, visit www.desatech.com

Download from www.Somanuals.com. All Manuals Search And Download.

SAFETY INFORMATION

 **WARNING: This product contains and/or generates chemicals known to the State of California to cause cancer or birth defects or other reproductive harm.**

 **WARNING: Fire, burn, inhalation and explosion hazard. Keep solid combustibles, such as building materials, paper or cardboard, a safe distance away from the heater as recommended by the instructions. Never use the heater in spaces which do or may contain volatile or airborne combustibles or products such as gasoline, solvents, paint thinner, dust particles or unknown chemicals.**

 **WARNING: Not for home or recreational vehicle use.**

The heater is designed for use as a construction heater in accordance with ANSI Z83.7/CGA2.14. Other standards govern the use of fuel gases and heating products for specific uses. Your local authority can advise you about these. The primary purpose of construction heaters is to provide temporary heating of buildings under construction, alteration or repair. Properly used, the heater provides safe economical heating. Products of combustion are vented into the area being heated.

We cannot foresee every use which may be made of our heaters. **Check with your local fire safety authority if you have questions about heater use.**

Carbon Monoxide Poisoning: Some people are more affected by carbon monoxide than others. Early signs of carbon monoxide poisoning resemble the flu, with headaches, dizziness and/or nausea. If you have these signs, the heater may not be working properly. **Get fresh air at once!** Check for proper ventilation and have heater serviced.

Propane Gas: Propane gas is odorless. An odor-making agent is added to propane gas. The odor helps you detect a propane gas leak. However, the odor added to propane gas may fade. Propane gas may be present even though no odor exists.

Make certain you read and understand all warnings. Keep this manual for reference. It is your guide to safe and proper operation of this heater.

1. Install and use heater with care. Follow all local ordinances and codes. In the absence of local ordinances and codes, refer to the *Standard for Storage and Handling of Liquefied Petroleum Gas, ANSI/NFPA 58* and the *Natural Gas Installation Code, CAN/CGA B149.2*. This instructs on the safe storage and handling of propane gases.
2. Use only the electrical voltage and frequency specified on model plate.
3. The electrical connections and grounding of the heater shall follow the *National Electric Code, ANSI/NFPA 70* or the *Canadian Electrical Code, Part 1*.
4. Electrical grounding instructions — This appliance is equipped with a three-prong (grounding) plug for your protection against shock hazard and should be plugged directly into a properly grounded three-prong receptacle or extension cord.
5. Use only a three-prong, grounded extension cord.
6. Use only the hose and factory preset regulator provided with the heater.
7. Use only propane gas set up for vapor withdrawal.
8. Provide adequate ventilation. Before using heater, provide at least a 1 ft² (0.09 m²) opening of fresh, outside air.
9. For indoor use only. Do not use heater outdoors.
10. Do not use heater in occupied dwellings or in living or sleeping quarters.
11. Do not use heater in a basement or below ground level. Propane gas is heavier than air. If a leak occurs, propane gas will sink to the lowest possible level.
12. Keep appliance area clear and free from combustible materials, gasoline, paint thinner and other flammable vapors and liquids. Dust is combustible. Do not use heater in areas with high dust content.
13. Minimum heater clearances from combustibles: Outlet: 6 ft. (1.8 m), Sides: 2 ft. (60 cm), Top: 6 ft. (1.8 m), Rear: 2 ft. (60 cm).

SAFETY INFORMATION

Continued

- Keep heater at least 6 feet (1.8 m) from propane tank(s). Do not point heater at propane tank(s) within 20 feet (6 m).
- Keep propane tank(s) below 100° F (38° C).
- Check heater for damage before each use. Do not use a damaged heater.
- Check hose before each use of heater. If highly worn or cut, replace before using heater.
- Do not alter heater. Keep heater in its original state.
- Do not use heater if altered.
- Locate heater on stable and level surface if heater is hot or operating.
- Not intended for use on finished floors.
- Never block air inlet (rear) or air outlet (front) of heater.
- Keep heater away from strong drafts, water spray, rain or dripping water.
- Do not leave heater unattended.
- Keep children and animals away from heater.
- Never move, handle or service a hot, operating or plugged-in heater. Severe burns may result. Wait 15 minutes after turning heater off.
- To prevent injury, wear gloves when handling heater.
- Never attach duct work to heater.
- Turn off propane supply and unplug heater when not in use.
- Use only original replacement parts. This heater must use design-specific parts. Do not substitute or use generic parts. Improper replacement parts could cause serious or fatal injuries.

UNPACKING

- Remove all packing items applied to heater for shipment. Keep plastic cover caps (attached to inlet connector and hose/regulator assembly) for storage.
- Remove all items from carton.
- Check all items for shipping damage. If heater is damaged, promptly inform dealer where you bought heater.

PRODUCT IDENTIFICATION

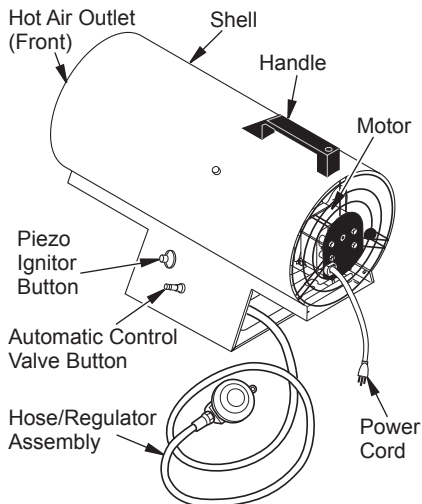


Figure 1 - 30,000 Btu/Hr Model

THEORY OF OPERATION

The Fuel System: The hose/regulator assembly attaches to the propane gas supply. This provides fuel to the heater.

The Air System: The motor turns the fan. The fan pushes air into and around the combustion chamber. This air is heated and provides a stream of clean, hot air.

The Ignition System: The piezo ignitor lights the burner.

The Automatic Control System: This system causes the heater to shut down if the flame goes out.

Clean Heated
Air Out (Front)

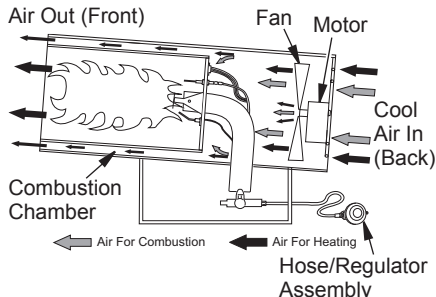


Figure 2 - Cross Section Operational View

ASSEMBLY

1. Remove screw from top of fan guard. Discard screw.
2. Insert nut clip (provided with handle) with flat side facing up through slot in top of shell. Align holes in nut clip with screw hole behind slot in top of shell. (see Figure 4).
3. Place handle over hole and clip. Insert two screws (provided with handle) through handle and tighten into shell. Make sure rear screw goes through shell and into fan guard. Tighten screws firmly.

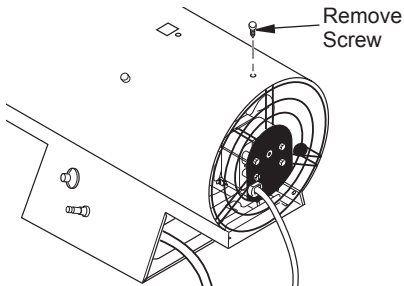


Figure 3 - Removing Screw from Top of Fan Guard

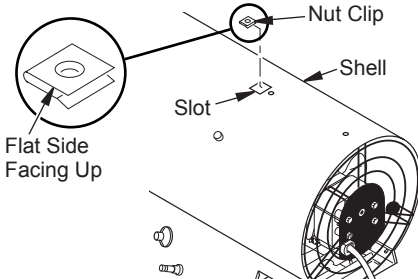


Figure 4 - Installing Nut Clip

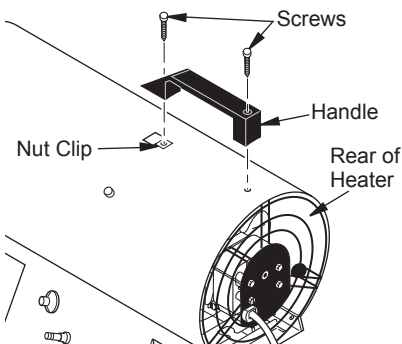


Figure 5 - Attaching Handle

PROPANE SUPPLY

Propane gas and propane tank(s) are to be furnished by the user.

Use this heater only with a propane vapor withdrawal supply system. See Chapter 5 of the *Standard for Storage and Handling of Liquefied Petroleum Gas, ANSI/NFPA 58* and/or *CAN/CGA B149.2*. Your local library or fire department will have this booklet.

The amount of propane gas ready for use from propane tanks varies. Two factors decide this amount:

1. The amount of propane gas in tank(s)
2. The temperature of tank(s)

This heater is designed to operate with a minimum 20 lb (9 kg) propane tank. You may need two or more tanks or one larger tank in colder weather. Use a 100 lb (45 kg) tank for longer operation or in very cold weather. Less gas is vaporized at lower temperatures. Your local propane gas dealer will help you select the proper supply system. The minimum surrounding air temperature rating for each heater is -20° F (-29° C).

Average Temperature At Tank	Number Of Tanks 100 lb (45 kg)
Above 0° F (-18° C)	1
Below 0° F (-18° C)	2

Smaller tanks can be used for limited run times but it is recommended to use larger tanks for optimum performance.

VENTILATION

WARNING: Provide at least a 1 ft² (0.09 m²) opening of fresh, outside air while running heater. If proper fresh, outside air ventilation is not provided, carbon monoxide poisoning can occur. Provide proper fresh, outside air ventilation before running heater.

INSTALLATION

⚠ WARNING: Review and understand the warnings in the Safety Information section, page 2. They are needed to safely operate this heater. Follow all local codes when using this heater.

⚠ WARNING: Test all gas piping and connections for leaks after installation or servicing. Never use an open flame to check for a leak. Apply a mixture of liquid soap and water to all joints. Bubbles forming show a leak. Correct all leaks at once.

1. Provide propane supply system (see *Propane Supply*, page 4).
2. Connect POL fitting on hose/regulator assembly to propane tank(s). Turn POL fitting counterclockwise into threads on tank. Tighten firmly using 7/8" wrench. **IMPORTANT:** Position regulator so that hose leaving the regulator is in a horizontal position (see Figure 6). This places the regulator vent in the proper position to protect it from the weather.

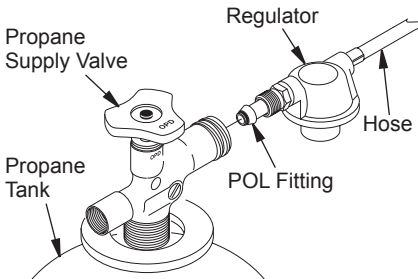


Figure 6 - Regulator Position

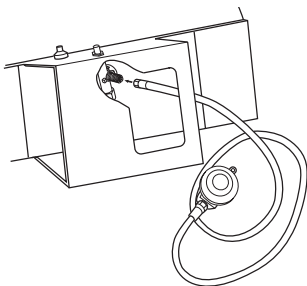


Figure 7 - Hose and Inlet Connector

3. Connect hose to valve inlet. Tighten firmly using a wrench (see Figure 7).
IMPORTANT: Extra hose or piping may be used if needed. Install extra hose or piping between hose/regulator assembly and propane tank. You must use the regulator supplied with heater.
4. Open propane supply valve on propane tank(s) slowly. **Note:** If not opened slowly, excess-flow check valve on propane tank may stop gas flow. If this happens, close propane supply valve and open again slowly.
5. Check all connections for leaks. Apply mixture of liquid soap and water to gas joints. Bubbles forming show a leak that must be corrected.
6. Close propane supply valve.

OPERATION

⚠ WARNING: Review and understand the warnings in the Safety Information section, page 2. They are needed to safely operate this heater. Follow all local codes when using this heater.

TO START HEATER

1. Follow all installation, ventilation and safety information.
2. Locate heater on stable and level surface. Make sure strong drafts do not blow into front or rear of heater.
3. Plug power cord of heater into a three-prong, grounded extension cord. Extension cord must be at least 6 ft (2 m) long. Extension cord must be UL/CGA listed.

Extension Cord Size Requirement

Up to 50 ft (15 m) long, use 18 AWG rated cord.

51 to 100 ft (16 to 30 m) long, use 16 AWG rated cord.

101 to 200 ft (31 to 60 m) long, use 14 AWG rated cord.

4. Plug extension cord into a 120 volt/60 hertz, three-hole, grounded outlet. Motor will start. Fan will turn, forcing air out front of heater.
5. Open propane supply valve on propane tank(s) slowly. **Note:** If not opened slowly, excess-flow check valve on propane tank may stop gas flow. If this happens, close propane supply valve and open again slowly.

OPERATION

Continued

⚠ WARNING: Be sure motor and fan are running before pushing in automatic control valve button. Flames could flash outside heater if motor and fan are not running.

6. Push in and hold automatic control valve button (see Figure 8). Push piezo ignitor button (see Figure 8). Keep pushing ignitor button until the burner lights. When burner lights, keep automatic control valve button pushed in. Release button after 30 seconds. This activates the automatic control system.

Note: If heater fails to ignite, hose may have air in it. If so, keep automatic control valve button pressed and wait 20 seconds. Release automatic control valve button and wait 20 seconds for unburned fuel to exit heater. Repeat this step.

NOTICE: If heater is unplugged or power outage occurs while heater is running, the thermal limit device will stop fuel flow. A few seconds occur before the thermal limit device activates. During this short time, flames may appear outside the heater. This is normal. The flames will go out when thermal limit device activates.

TO STOP HEATER

1. Tightly close propane supply valve on propane tank(s).
2. Wait a few seconds. Heater will burn gas left in supply hose.
3. Unplug heater.

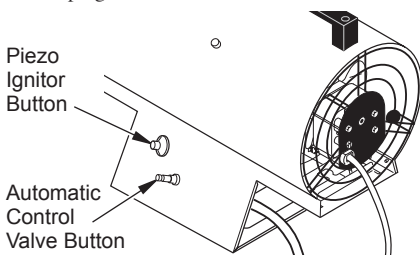


Figure 8 - Automatic Control Valve Button and Piezo Ignitor Button

TO RESTART HEATER

1. Wait five minutes after stopping heater.
2. Repeat steps under *To Start Heater*.

STORAGE

⚠ CAUTION: Disconnect heater from propane supply tank(s).

1. Store propane tank(s) in safe manner. See Chapter 5 of *Standard for Storage and Handling of Liquefied Petroleum Gases, ANSI NFPA 58* and/or *CAN/CGA B149.2*. Follow all local codes.
2. Place plastic cover caps over brass fittings on inlet connector and hose/regulator assembly.
3. Store in dry, clean and safe place. Do not store hose/regulator assembly inside heater combustion chamber.
4. When taking heater out of storage, always check inside of heater. Insects and small animals may place foreign objects in heater. Remove motor and other internal parts if needed to remove foreign objects (see *Service Procedures*, page 8).

MAINTENANCE

⚠ WARNING: Never service heater while it is plugged in, connected to propane supply, operating or hot. Severe burns and electrical shock can occur.

1. Keep heater clean. Clean heater annually or as needed to remove dust and debris. If heater is dirty or dusty, clean heater with a damp cloth. Use household cleaners on difficult spots.
2. Inspect heater before each use. Check connections for leaks. Apply mixture of liquid soap and water to connections. Bubbles forming show a leak. Correct all leaks at once.
3. Inspect hose/regulator assembly before each use. If hose is highly worn or cut, replace.
4. Have heater inspected yearly by a qualified service agency.
5. Keep inside of heater free from combustible and foreign objects. Remove motor and other internal parts if needed to clean inside of heater (see *Service Procedures*, page 8).
6. Clean fan blades each season or as needed (see *Fan*, page 9).

TROUBLESHOOTING

 **WARNING: Never service heater while it is plugged in, connected to propane supply, operating or hot. Severe burns and electrical shock can occur.**

OBSERVED FAULT	POSSIBLE CAUSE	REMEDY
Fan does not turn when heater is plugged in	<ol style="list-style-type: none"> 1. No electrical power to heater 2. Fan hitting inside of heater shell 3. Fan blades bent 4. Defective motor 	<ol style="list-style-type: none"> 1. Check voltage to electrical outlet. If voltage is good, check heater power cord for breaks 2. Adjust motor/fan mount to keep fan from hitting inside of heater shell. Bend fan mount if necessary 3. Replace fan. See <i>Fan</i>, page 8 4. Replace motor
Heater will not ignite	<ol style="list-style-type: none"> 1. User did not follow installation or operation instructions properly 2. No spark at ignitor. To test for spark, follow step 8 under <i>Ignitor</i>, page 9. If you see spark at ignitor, have heater serviced by qualified service person. If no spark seen: <ol style="list-style-type: none"> A) Loose or disconnected ignitor wire B) Wrong spark gap C) Piezo ignitor loose D) Bad ignitor electrode 	<ol style="list-style-type: none"> 1. Repeat installation and operation instructions. See <i>Installation</i>, page 4 and <i>Operation</i>, page 5 2. A) Check ignitor wire. Tighten or reattach loose ignitor wire. B) Assure gap between ignitor electrode and target plate is 0.17" (4.3 mm). Do not bend electrode. Doing so may cause it to break C) Tighten nut holding piezo ignitor to base of heater D) Replace ignitor electrode. See <i>Ignitor</i>, page 9
Heater shuts down while running	<ol style="list-style-type: none"> 1. Propane supply may be inadequate 2. High surrounding air temperature causing thermal limit device to shut down heater. 3. Restricted air flow 4. Damaged fan 5. Excessive dust or debris in surrounding area 	<ol style="list-style-type: none"> 1. A) Refill tank B) Provide additional and/or larger tanks. See <i>Propane Supply</i>, page 4 2. This can happen when running heater in temperatures above 85° F (29° C). Run heater in cooler temperatures 3. Check heater inlet and outlet. Remove any obstructions 4. Replace fan. See <i>Fan</i>, page 8 5. Clean heater. See <i>Maintenance</i>, page 6

 **WARNING: Use only in areas free of high dust content.**

TECHNICAL SERVICE

You may have further questions about this heater. If so, contact DESA Heating Products' Technical Service Department at 1-866-672-6040. When calling, please have your model and serial numbers of your heater ready.

You can also visit DESA Heating Products' Technical Service web site at www.desatech.com.

ACCESSORY

Purchase accessories and parts from your nearest dealer or service center. If your dealer or service center can not supply an accessory or part, call DESA Industries' Parts Department at 1-905-826-8010. You can also write to the address listed on the back page of this manual.

LPA4020 - Fuel Gas Connector

Connects regulator to all standard propane tanks. U.L. and AGA

SERVICE PROCEDURES

⚠ WARNING: Never service heater while it is plugged in, connected to propane supply, operating or hot. Severe burns and electrical shock can occur.

ELECTRICAL SYSTEM

The entire electrical system for this heater is contained within the motor. If any part of the electrical system is damaged, you must replace motor.

MOTOR

1. Remove three screws that attach fan guard to heater shell.
2. Remove motor and fan guard from heater shell (see Figure 9).
3. Use hex wrench to loosen set screw which holds fan to motor shaft (see Figure 10). Remove fan. Be careful not to damage the fan blade pitch.
4. Remove two nuts and two screws that attach fan guard to motor using nut-driver. Remove fan guard from motor (see Figure 11).
5. Disconnect the green power cord wire from motor and remove black and white wire terminals.
6. Discard old motor.
7. Attach green power cord wire to motor.
8. Attach fan guard to new motor with two nuts and two screws.
9. Replace black and white terminals.
10. Place fan onto motor shaft of new motor. Make sure set screw contacts flat surface on motor shaft. Tighten set screw firmly (40-50 inch-pounds).
11. Place new motor and fan guard into rear of heater shell. Make sure power cord is properly located (see Figure 12).
12. Insert three screws through heater shell and into fan guard. Tighten screws firmly.

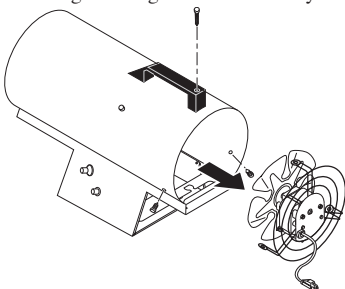


Figure 9 - Removing Motor and Fan Guard from Heater

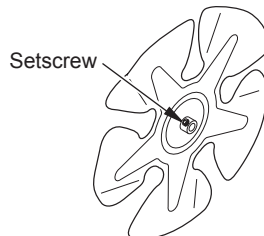


Figure 10 - Setscrew Location

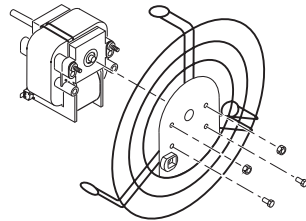


Figure 11 - Removing or Attaching Fan Guard from Motor

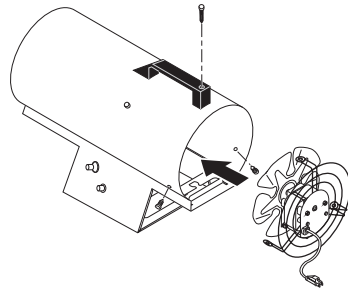


Figure 12 - Replacing Motor and Fan Guard into Heater

FAN

1. Remove three screws that attach fan guard to heater shell.
2. Remove motor and fan guard from heater shell (see Figure 9).
3. Use hex wrench to loosen set screw that holds fan to motor shaft (see Figure 10).
4. Remove fan. Be careful not to damage the fan blade pitch.
- 5a. If replacing fan, remove old fan and discard. Go to step 7.
- 5b. If cleaning fan, use soft cloth moistened with kerosene or solvent.
6. Dry fan thoroughly.
7. Place fan onto motor shaft. Make sure set screw contacts flat surface on motor shaft. Tighten set screw firmly (40-50 inch-pounds).
8. Place motor and fan guard into rear of heater shell. Make sure power cord is properly located (see Figure 12).
9. Insert three screws through heater shell and into fan guard. Tighten screws firmly.

SERVICE PROCEDURES

Continued

IGNITOR

1. Remove motor and fan guard from heater (see *Motor*, page 8, steps 1 and 2).
2. Remove black ignitor wire from piezo ignitor. Access ignitor wire through underside of heater base (see Figure 13). Push wire up through notch in filler panel.
3. Remove ignitor mounting screw from rear head using nut-driver or standard screwdriver (see Figure 14).
4. Remove ignitor from rear head.
5. Install new ignitor. Attach ignitor to rear head with ignitor mounting screw.
6. Run ignitor wire from new ignitor through notch in filler panel. Attach ignitor wire to piezo ignitor.
7. Set gap between ignitor electrode and target plate to 0.17" (4.3 mm) (see Figure 15).

⚠ WARNING: Make sure heater is disconnected from propane supply. Heater could ignite causing severe burns.

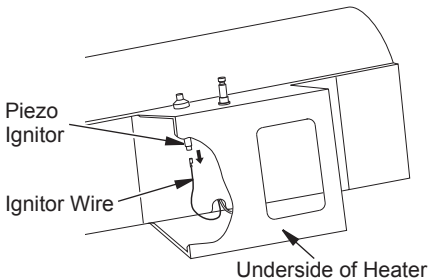


Figure 13 - Removing Ignitor Wire from Piezo Ignitor

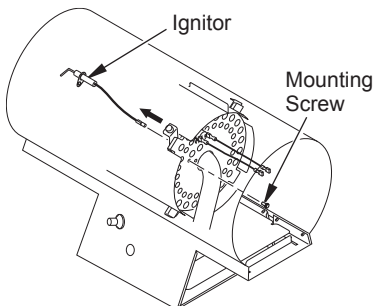


Figure 14 - Removing Ignitor Mounting Screw and Ignitor

8. Test for spark. Push piezo ignitor button and watch for spark between ignitor electrode and target plate.
9. Place motor and fan guard into rear of heater shell (see *Motor*, page 8, steps 8 and 9).

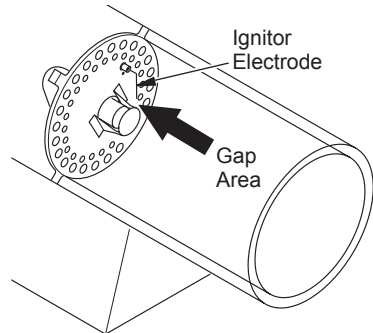


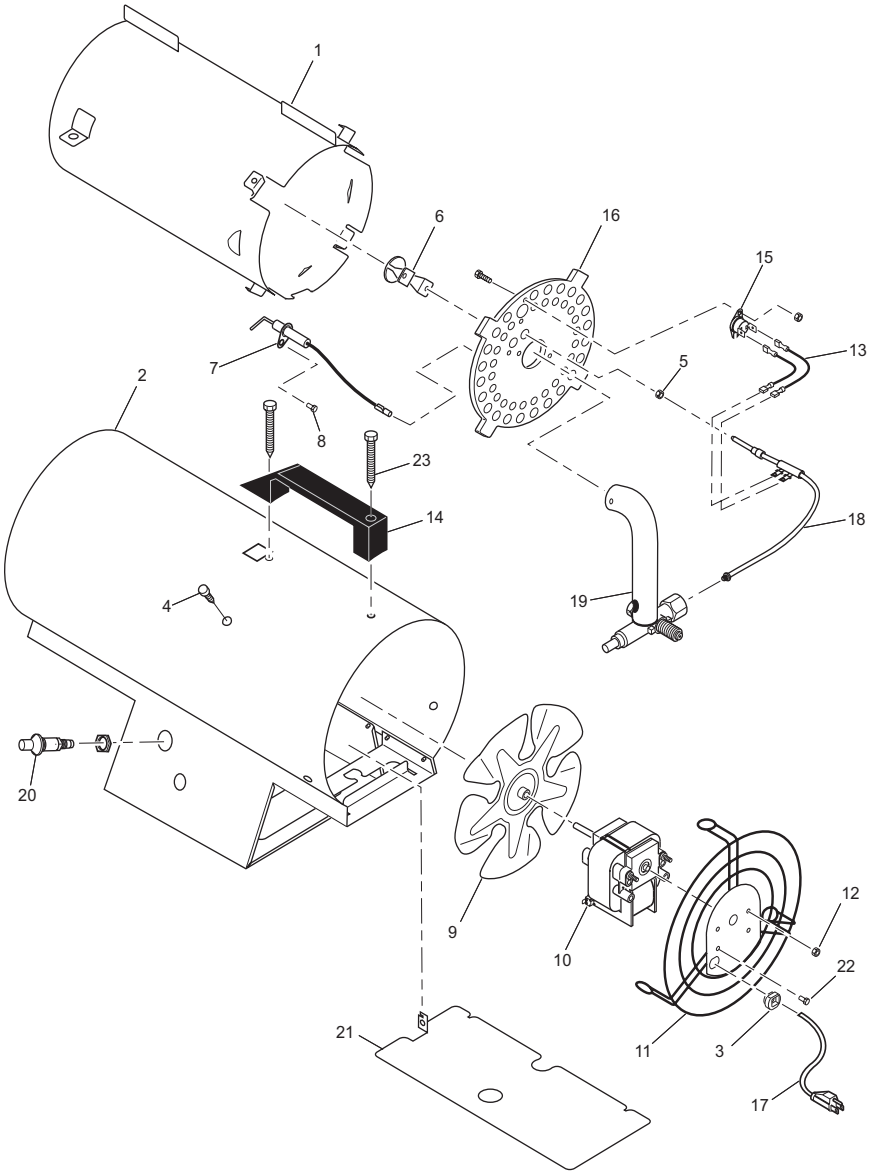
Figure 15 - Clearance between Ignitor Electrode and Target Plate

SPECIFICATIONS

- Rating: 30,000 BTU/Hr (31,644 kJ/Hr)
- Fuel: Propane Vapor Only
- Fuel Consumption/Hour: 0.33 U.S. gallons (1.24 liters), 1.39 lb (0.63 kg)
- Supply Pressure To Regulator: Minimum**- 20 psi (138 kPa), Maximum - Tank Pressure or 200 psi (1380 kPa)
- Regulator Outlet Pressure: 10 psi (69 kPa)
- Manifold Pressure: 10.1 psi (69 kPa)
- Hot Air Output (CFM Approx): 175 (4.95 m³)
- Motor: 3045 RPM, 1/40 HP
- Electric Input: 120 volt/60 hertz
- Amperage: 0.6
- Ignition: Manual, Piezo
- Temperature Range for Operation: -20° to 85° F* (-6.7° to 29.5° C*)
- Heater Weight: 11 lb (4.99 kg)
- Shipping Weight: 13 lb (5.90 kg)
- Size (L x W x H): Carton - 19.4" x 9.75" x 14.75" (49.3 x 24.8 x 37.5 cm), Heater - 18.5" x 8.0" x 12.8" (47 x 22.32 x 32.5 cm)
- * When running heater in temperatures above 85° F (29.5° C), high internal temperatures may cause thermal limit device to shut down heater.
- ** For purposes of input adjustment.

ILLUSTRATED PARTS BREAKDOWN

MODEL RCLP30



PARTS LIST

MODEL RCLP30

This list contains replaceable parts used in your heater. When ordering parts, follow the instructions listed under *Replacement Parts*, below.

KEY			
NO.	PART NO.	DESCRIPTION	QTY
1	**	Combustion Chamber	1
2	**	Unichassis	1
3	M11143-1	Bushing, Strain Relief	1
4	M11084-27	Screw	2
5	099237-01	Thermocouple Nut	2
6	103894-01	Target Bracket Kit	1
7	104784-01	Electrode Ignitor	1
8	M11084-38	Hex Tap Screw, #8-18 x 3/8"	1
9	101478-02	Fan	1
10	104156-01	Motor Assembly	1
11	103863-01	Fan Guard	1
12	097384-02	Captive Washer Nut	2
13	101480-12	Wire Assembly	1
14	104786-01	Handle Assembly	1
15	101732-05	Thermal Switch Kit	1
16	**	Rear Head Kit	1
17	098219-17	Cord, Power Supply	1
18	104146-01	Thermocouple	1
19	104144-01	Valve/Orifice/Burner Tube Assembly	1
20	102445-01	Piezo Ignitor	1
21	**	Filler Panel	1
22	M12461-14	Hex Screw, 8-32 x 3/8	4
23	097403-01	Screw, #10 x 1.25 SPH Black	2
PARTS AVAILABLE - NOT SHOWN			
	097941-27	Tradename Decal	2
	104161-02	General Information Decal	1
	104160-02	Operation Decal	1
	LPA3120	Hose/Regulator Assembly	1

** Not a field replaceable part.

REPLACEMENT PARTS

WARNING: Use only original replacement parts. This heater must use design-specific parts. Do not substitute or use generic parts. Improper replacement parts could cause serious or fatal injuries. This will also protect your warranty coverage for parts replaced under warranty.

PARTS UNDER WARRANTY

Contact authorized dealers of this product. If they can't supply original replacement part(s), call DESA Industries at 1-905-826-8010.

When calling DESA Industries, have ready:

- your name
- your address
- model number of your heater
- how heater was malfunctioning
- purchase date

In most cases, we will ask you to return the part to the factory.

PARTS NOT UNDER WARRANTY

Contact authorized dealers of this product. If they can't supply original replacement part(s), call DESA Industries' Parts Department at 1-905-826-8010.

When calling DESA Industries, have ready:

- model number of your heater
- the replacement part number

WARRANTY AND REPAIR SERVICE

KEEP THIS WARRANTY

Model _____

Serial No. _____

Date of Purchase _____

LIMITED WARRANTY

DESA Industries warrants this product and any parts thereof, to be free from defects in materials and workmanship for one (1) year from the date of first purchase when operated and maintained in accordance with instructions. This warranty is extended only to the original retail purchaser, when proof of purchase is provided.

This warranty covers only the cost of parts and labor required to restore the product to proper operating condition. Transportation and incidental costs associated with warranty repairs are not reimbursable under this warranty.

Warranty service is available only through authorized dealers and service centers.

This warranty does not cover defects resulting from misuse, abuse, negligence, accidents, lack of proper maintenance, normal wear, alteration, modification, tampering, contaminated fuels, repair using improper parts or repair by anyone other than an authorized dealer or service center. Routine maintenance is the responsibility of the owner.

THIS EXPRESS WARRANTY IS GIVEN IN LIEU OF ANY OTHER WARRANTY EITHER EXPRESSED OR IMPLIED, INCLUDING WARRANTIES OF MERCHANTABILITY AND FITNESS FOR A PARTICULAR PURPOSE.

DESA Industries assumes no responsibility for indirect, incidental or consequential damages. Some states do not allow the exclusion or limitation of incidental or consequential damages or limitations or exclusions may not apply to you. This Limited Warranty gives you specific legal rights and you may also have other rights which vary from state to state.

We reserve the right to amend these specifications at any time without notice. The only warranty applicable is our standard written warranty. We make no other warranty, expressed or implied.

This warranty does not cover discoloration due to operation of heater. We reserve the right to amend these specifications at any time without notice. The only warranty applicable is our standard written warranty. We make no other warranty, expressed or implied.

WARRANTY SERVICE

Should your heater require service, return it to your nearest authorized service center. Proof of purchase must be presented with the heater. The heater will be inspected. A defect may be caused by faulty materials or workmanship. If so, DESA Industries will repair or replace the heater without charge.

REPAIR SERVICE

Return your heater to your nearest authorized service center. Repairs not covered by the warranty will be billed at standard prices. Each Service Center is independently owned and operated. We reserve the right to amend these specifications at any time without notice.



2701 Industrial Drive
P.O. Box 90004
Bowling Green, KY 42102-9004
ATTN: Customer Service Department

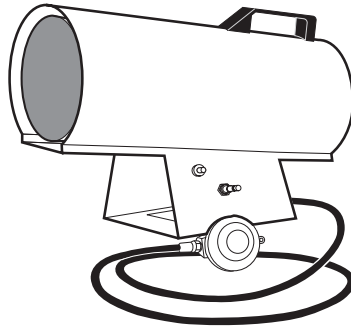


2220 Argentia Road, Unit #4
Mississauga, Ontario L5N2K7
905-826-8010



INDOOR/OUTDOOR PRODUCTS

**APPAREIL DE CHAUFFAGE À AIR FORCÉ DE CHANTIER AU GAZ PROPANE POUR LE CANADA
MANUEL D'UTILISATION**



**MODÈLE RCLP30
30 000 BTU/H**



IMPORTANT : lisez et comprenez ce manuel avant d'assembler, d'allumer ou de réparer l'appareil de chauffage. Une mauvaise utilisation de l'appareil de chauffage peut causer des blessures graves. Conservez ce manuel pour référence future.

⚠ AVERTISSEMENT DE RISQUE GÉNÉRAL :

Tout manquement aux précautions et aux instructions fournies avec cet appareil de chauffage peut causer la mort, des blessures corporelles graves ainsi que des pertes matérielles et des dommages causés par les risques associés au feu, à une explosion, aux brûlures, à l'asphyxie, à l'empoisonnement au monoxyde de carbone et par les chocs électriques.

Seuls les individus qui comprennent et qui respectent ces instructions peuvent utiliser ou réparer cet appareil de chauffage.

Si vous avez besoin d'assistance ou de renseignements concernant l'appareil de chauffage tels que le mode d'emploi, les étiquettes, etc., communiquez avec le fabricant.

TABLE DES MATIÈRES

Information relative à la sécurité	2	Entretien	7
Identification du produit	3	Dépannage	8
Déballage	3	Procédures d'entretien	9
Théorie de fonctionnement.....	4	Spécifications	11
Assemblage.....	4	Service technique.....	11
Ventilation.....	4	Pièces de rechange.....	11
Approvisionnement en propane	5	Accessoire.....	11
Installation	5	Vue détaillée des pièces.....	12
Fonctionnement.....	6	Service de garantie et de réparation	Dos
Entreposage.....	7		

**Conservez ce manuel pour consultation future.
Pour plus de détails, visitez le site www.desatech.com**

INFORMATION RELATIVE À LA SÉCURITÉ

⚠ AVERTISSEMENT : cet appareil contient ou produit des produits chimiques déterminés par l'État de Californie comme cancérigènes et pouvant causer des malformations congénitales et d'autres troubles liés à la reproduction.

⚠ AVERTISSEMENT : danger d'incendie, de brûlure, d'inhalation et d'explosion. Gardez les produits combustibles solides comme les matériaux de construction, le papier et les cartons à une distance sûre de l'appareil de chauffage tel que recommandé dans les instructions. N'utilisez jamais l'appareil de chauffage dans des espaces susceptibles de contenir des combustibles volatils ou atmosphériques ou des produits tels que de l'essence, des diluants, du solvant à peinture, des particules de poussières ou des produits chimiques inconnus.

⚠ AVERTISSEMENT : n'utilisez pas à la maison ou dans un véhicule de camping.

Cet appareil de chauffage est conçu comme appareil de chauffage de chantier en conformité avec les normes ANSI Z83.7•CGA2.14. D'autres normes régissent l'utilisation des gaz combustibles et des produits de chauffage pour des utilisations particulières. Les autorités locales peuvent vous conseiller à propos de ces normes. La fonction principale des appareils de chauffage de chantier est la production temporaire de chaleur pour des édifices en construction ou en cours de modification ou de réparation. Utilisés correctement, ces appareils de chauffage représentent une source de chaleur économique et sûre. Les produits de combustion sont évacués dans l'espace qui est chauffé.

Nous ne pouvons pas prévoir toutes les utilisations possibles de nos appareils de chauffage. **Vérifiez auprès de votre responsable local de la sécurité incendie si vous avez des questions relatives à l'utilisation de l'appareil de chauffage.**

Empoisonnement au monoxyde de carbone : certaines personnes sont plus sensibles au monoxyde de carbone que d'autres. Les premiers symptômes d'un empoisonnement au monoxyde de carbone ressemblent à la grippe avec des maux de tête, du vertige ou de la nausée. Si vous avez ces symptômes, il se pourrait que l'appareil de chauffage ne fonctionne pas bien. **Respirez tout de suite de l'air frais !** Vérifiez si la ventilation est suffisante et faites réviser l'appareil de chauffage.

Gaz propane : le gaz propane est sans odeur. Un produit odorant est ajouté au gaz propane. Cette odeur vous permet de détecter une fuite de gaz. Cependant, cette odeur ajoutée au propane peut se dissiper. Du gaz propane peut être présent même s'il n'y a pas d'odeur.

Lisez et comprenez tous les avertissements. Conservez ce manuel pour consultation future. Il vous permettra de faire fonctionner cet appareil de chauffage correctement et en toute sécurité.

1. Installez et utilisez l'appareil de chauffage avec précaution. Suivez tous les règlements et les codes locaux. En l'absence de codes ou de règlements locaux, consultez la publication *Norme pour l'emmagasinage et la manipulation du gaz de pétrole liquéfié, ANSI/NFPA 58* et le *Code d'installation du gaz naturel, CAN/CGA B149.2*. Ces documents décrivent les précautions à prendre pour l'entreposage et la manutention du gaz propane.
2. N'utilisez que la tension et la fréquence électrique indiquées sur la plaque signalétique.
3. Les connexions électriques et la prise de terre de l'appareil de chauffage doivent respecter le *Code national de l'électricité, ANSI/NFPA 70* ou le *Code canadien de l'électricité, partie 1*.
4. Instructions de mise à la terre : cet appareil est muni d'une fiche de terre trifilaire pour vous protéger des décharges électriques; il doit être branché directement dans une prise électrique trifilaire ou une rallonge correctement mise à la terre.
5. N'utilisez qu'une rallonge à trois broches avec mise à la terre.
6. N'utilisez que le tuyau et le détendeur réglé en usine qui ont été fournis avec l'appareil de chauffage.
7. N'utilisez que du gaz propane composé pour le retrait de vapeur.
8. Assurez une ventilation suffisante. Avant d'utiliser l'appareil de chauffage, aménagez une ouverture sur l'extérieur d'au moins 0,09 m² (1 pi²).

INFORMATION RELATIVE À LA SÉCURITÉ *Suite*

9. Usage à l'intérieur seulement. N'utilisez pas l'appareil de chauffage à l'extérieur.
10. N'utilisez pas l'appareil de chauffage dans un édifice habité ou dans des endroits où l'on vit et dort.
11. Ne pas utiliser l'appareil au-dessous du niveau du sol. Le gaz propane est plus lourd que l'air. Si une fuite se produit, le gaz propane s'écoulera au niveau le plus bas possible.
12. Ne placez pas de matériaux combustibles, d'essence, de solvant à peinture ou d'autres vapeurs ou liquides inflammables à proximité de l'appareil. N'utilisez pas l'appareil de chauffage là où il y a beaucoup de poussière.
13. Distances minimales entre l'appareil de chauffage et les combustibles : sortie : 1,8 m (6 pi), côtés : 60 m (2 pi), dessus : 1,8 m (6 pi), arrière : 60 m (2 pi)
14. Placez l'appareil de chauffage à au moins 1,8 m (6 pi) des réservoirs de propane. Ne dirigez pas l'appareil de chauffage vers des réservoirs de propane qui se trouvent à moins de 6 m (20 pi).
15. Conservez les réservoirs de propane à moins de 38° C (100° F).
16. Vérifiez l'appareil de chauffage avant chaque utilisation. N'utilisez pas d'appareil de chauffage endommagé.
17. Avant chaque utilisation de l'appareil de chauffage, vérifiez que le tuyau n'est pas endommagé. S'il est très usé ou fendillé, remplacez-le avant d'utiliser l'appareil de chauffage.
18. Ne modifiez pas l'appareil de chauffage. Maintenez l'appareil de chauffage dans son état initial.
19. N'utilisez pas l'appareil de chauffage s'il a été modifié.
20. Placez l'appareil de chauffage sur une surface stable et de niveau si l'appareil est chaud ou en fonctionnement.
21. Cet appareil n'est pas conçu pour utilisation sur des planchers finis.
22. Ne bloquez jamais l'entrée d'air (à l'arrière) ou la sortie d'air (à l'avant) de l'appareil de chauffage.
23. Protégez l'appareil de chauffage des courants d'air, du vent, des éclaboussures, de la pluie ou de l'eau ruisselante.
24. Ne laissez pas l'appareil de chauffage sans surveillance.
25. Ne laissez pas les enfants et les animaux s'approcher de l'appareil de chauffage.

26. Ne déplacez, ne manipulez et ne réparez jamais un appareil de chauffage chaud, en fonctionnement ou branché. Vous risqueriez de vous brûler gravement. Attendez 15 minutes après avoir éteint l'appareil de chauffage.
27. Pour ne pas vous blesser, portez des gants lorsque vous manipulez l'appareil de chauffage.
28. N'installez jamais de tuyauterie de ventilation sur l'appareil de chauffage.
29. Lorsque l'appareil de chauffage n'est pas utilisé, fermez la vanne d'approvisionnement en propane et débranchez l'appareil.
30. Utilisez seulement des pièces de rechange d'origine. Cet appareil de chauffage utilise des pièces conçues spécifiquement pour lui. N'utilisez pas de substituts ou de pièces génériques. L'utilisation de pièces de rechange inadéquates peut causer des blessures graves ou la mort.

IDENTIFICATION DU PRODUIT

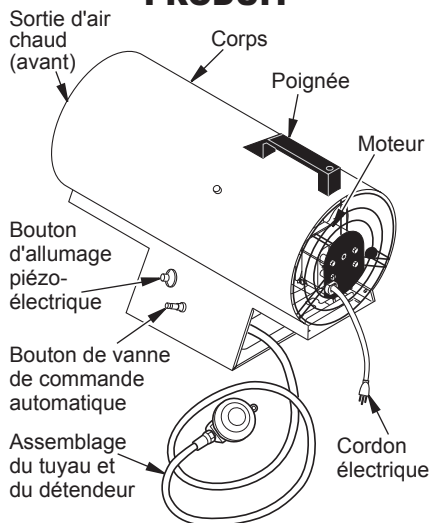


Figure 1 - Modèle 30 000 BTU/Hr

DÉBALLAGE

1. Enlevez tout matériau d'emballage appliqué sur l'appareil de chauffage pour son expédition. Conservez les bouchons en plastique (sur le raccord d'entrée et l'assemblage du tuyau et du détendeur) pour l'entreposage.
2. Retirez toutes les pièces de l'emballage.
3. Inspectez toutes les pièces pour voir si elles ont été endommagées pendant le transport. Si l'appareil de chauffage est endommagé, informez-en au plus vite le revendeur où vous l'avez acheté.

THÉORIE DE FONCTIONNEMENT

Système d'approvisionnement en carburant : l'ensemble flexible/détendeur se branche sur la bouteille de propane pour alimenter l'appareil.

Système d'admission d'air : le moteur fait tourner le ventilateur, qui pousse l'air dans et autour de la chambre de combustion. L'air est chauffé et sort de l'appareil propre et chaud.

Système d'allumage : l'allumeur piézo-électrique enflamme le brûleur.

Contrôle automatique du brûleur: Ce dispositif arrête l'appareil si la flamme s'éteint.

Sortie d'air chaud propre (avant)

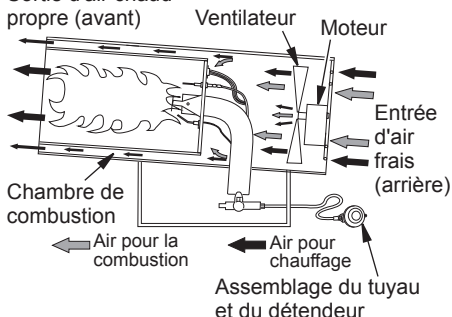


Figure 2 - Vue opérationnelle en coupe transversale

ASSEMBLAGE

1. Retirez la vis située sur le dessus de la grille de protection du ventilateur. Jetez la vis.
2. Insérez la pince-écrou (fournie avec la poignée) en plaçant le côté plat vers le dessus dans la fente sur le dessus de l'habillage. Alignez les trous de la pince-écrou avec le trou de la vis derrière l'ouverture sur le dessus de l'habillage.(voir figure 4).

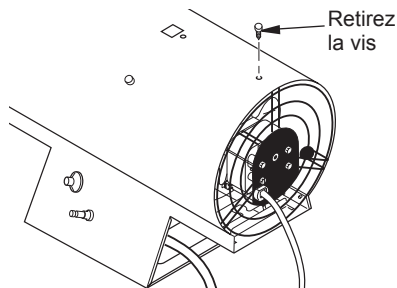


Figure 3 - Retrait de la vis sur le dessus de la grille du ventilateur

3. Placez la poignée sur le trou et la pince-écrou. Insérez deux vis (fournies avec la poignée) à travers la poignée et serrez. Assurez-vous que la vis arrière passe à travers l'habillage et rejoint la grille du ventilateur. Resserrez les vis fermement.

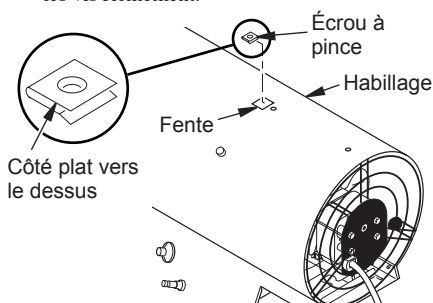


Figure 4 - Pose de l'écrou à pince

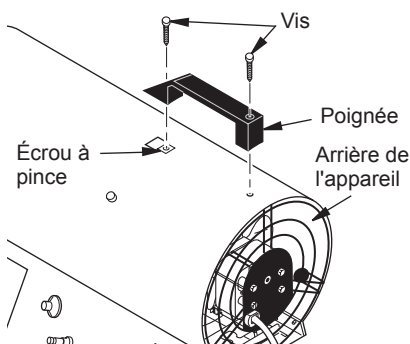


Figure 5 - Pose de la poignée

VENTILATION

⚠ AVERTISSEMENT : il doit y avoir une ouverture sur l'extérieur d'au moins 0,09 m² (1 pi²) quand l'appareil de chauffage fonctionne. Si aucun apport en air frais de l'extérieur n'est fourni, un empoisonnement au monoxyde de carbone peut se produire. Il doit y avoir une entrée d'air frais de l'extérieur adéquate pour utiliser l'appareil de chauffage.

APPROVISIONNEMENT EN PROPANE

Le gaz propane et les réservoirs de propane doivent être fournis par l'utilisateur.

N'utilisez cet appareil de chauffage qu'avec un système d'approvisionnement à élimination de vapeurs de propane. Consultez le chapitre 5 de la *Norme pour l'emmagasinage et la manipulation du gaz de pétrole liquéfié, ANSI/NFPA 58* et/ou *CAN/CGA B149.2*. Votre bibliothèque ou votre service d'incendies ont cette publication.

La quantité de gaz propane utilisable dans les réservoirs varie. Deux facteurs influencent cette quantité :

1. La quantité de gaz propane contenue dans les réservoirs
2. La température des réservoirs

Cet appareil de chauffage est conçu pour fonctionner avec un réservoir de propane d'au moins 9 kg (20 lb). Vous pourriez avoir besoin de deux ou de plusieurs réservoirs ou d'un réservoir plus grand par temps froid. Utilisez un réservoir de 45 kg (100 lb) pour une période de fonctionnement plus longue ou par température très froide. Moins de gaz se vaporise à basse température. Votre fournisseur de gaz propane local vous aidera à choisir le système d'approvisionnement qui convient. La température ambiante minimale nominale de ces appareils de chauffage est -29 °C (-20 °F).

Température moyenne Au réservoir	Nombre de réservoirs 45 kg (100 lb)
Supérieure à -18° C (0° F)	1
Inférieure à -18° C (0° F)	2

Des réservoirs plus petits peuvent être utilisés pour des durées de fonctionnement limitées mais il est recommandé d'utiliser de grands réservoirs pour une performance optimale.

INSTALLATION

AVERTISSEMENT : lisez et comprenez les avertissements de la section *Information relative à la sécurité*, page 2. Ils sont requis pour faire fonctionner cet appareil de chauffage sans danger. Respectez tous les codes locaux lors de l'utilisation de cet appareil de chauffage.

AVERTISSEMENT : testez toutes les conduites de gaz et les connexions pour détecter les fuites après l'installation ou la révision. N'utilisez jamais de flamme nue pour rechercher une fuite. Appliquez une solution de savon liquide et d'eau sur tous les joints. La présence de bulles indique une fuite. Réparez toutes les fuites immédiatement.

1. Vous devez fournir le système d'approvisionnement en propane (voir *Approvisionnement en propane*).
2. Branchez le raccord PP de l'assemblage du tuyau et du détendeur sur le ou les réservoirs de propane. Tournez le raccord PP dans le sens inverse des aiguilles d'une montre dans le filetage du réservoir. Resserrez fermement avec une clef de 7/8". **IMPORTANT** : disposez le détendeur de façon à ce que le tuyau qui s'en échappe soit à l'horizontale (voir figure 6). Cela permet de bien positionner la prise d'air du détendeur et de la protéger des intempéries.
3. Raccordez le tuyau à l'entrée de la vanne (voir figure 7, page 6). Resserrez fermement avec une clef.

IMPORTANT : un tuyau ou une canalisation supplémentaire peut être employé au besoin. Installez tout tuyau ou toute canalisation supplémentaire entre l'assemblage du tuyau et du détendeur et le réservoir de propane. Vous devez employer le détendeur fourni avec l'appareil de chauffage.

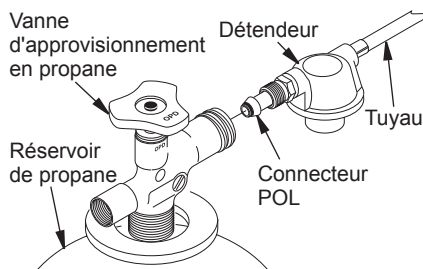


Figure 6 - Position du détendeur

INSTALLATION

Suite

- Ouvrez lentement la vanne d'approvisionnement en propane du ou des réservoirs de propane. **Remarque** : si on ne l'ouvre pas lentement, la vanne de débit du réservoir de propane peut couper le gaz. Dans ce cas, fermez la vanne d'approvisionnement en propane et rouvrez-la lentement.
- Vérifiez les fuites à chaque branchement. Appliquez une solution de savon liquide et d'eau aux joints servant au gaz. L'apparition de bulles indique la présence d'une fuite qui doit être réparée.
- Fermez la vanne d'approvisionnement en propane.

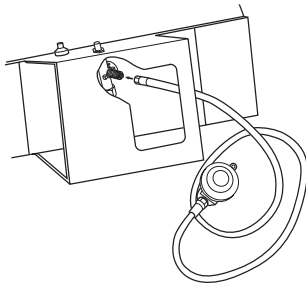


Figure 7 - Tuyau et raccord d'entrée

FUNCTIONNEMENT

⚠ AVERTISSEMENT : lisez et comprenez les avertissements de la section *Information relative à la sécurité*, page 2. Ils sont requis pour faire fonctionner cet appareil de chauffage sans danger. Respectez tous les codes locaux lors de l'utilisation de cet appareil de chauffage.

POUR ALLUMER L'APPAREIL DE CHAUFFAGE

- Suivez toutes les consignes d'installation, de ventilation et de sécurité.
- Placez l'appareil de chauffage sur une surface stable et de niveau. Assurez-vous qu'il n'y a pas de courants d'air forts à l'avant ou à l'arrière de l'appareil de chauffage.
- Branchez le cordon électrique de l'appareil de chauffage dans une rallonge de mise à la terre

à trois broches. La rallonge électrique doit mesurer au moins 2 m (6 pi). Elle doit porter l'homologation UL.

Exigences des dimensions de la rallonge électrique

Jusqu'à 15 m (50 pi), employez un cordon de calibre 18 AWG.

Entre 16 et 30 m (51 et 100 pi), employez un cordon de calibre 16 AWG.

Entre 31 et 60 m (101 et 200 pi), employez un cordon de calibre 14 AWG.

- Branchez la rallonge électrique dans une prise de terre à trois branches de 120 volt/60 hertz. Le moteur démarre. Le ventilateur tourne pour pousser l'air à la sortie avant de l'appareil de chauffage.
- Ouvrez lentement la vanne d'approvisionnement en propane du ou des réservoirs de propane. **Remarque** : si on ne l'ouvre pas lentement, la vanne de débit du réservoir de propane peut couper le gaz. Dans ce cas, fermez la vanne d'approvisionnement en propane et rouvrez-la lentement.

⚠ AVERTISSEMENT : vérifiez que le moteur et le ventilateur sont allumés avant d'appuyer sur le bouton de la vanne de contrôle automatique. Des flammes risqueraient de s'échapper de l'appareil de chauffage si le moteur et le ventilateur étaient éteints.

- Appuyer sur le bouton de vanne de commande automatique et le maintenir enfoncé (voir la Figure 8). Appuyer sur le bouton d'allumeur piézo-électrique (voir la Figure 8). Continuer à appuyer sur le bouton d'allumeur jusqu'à ce que le brûleur s'allume. Quand le brûleur s'allume, maintenir le bouton de vanne de commande automatique enfoncé. Relâcher le bouton après 30 secondes pour activer le système de contrôle automatique.

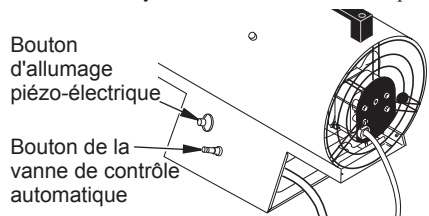


Figure 8 - Bouton du robinet de contrôle automatique et bouton d'allumeur piézo-électrique

FONCTIONNEMENT

Suite

Remarque: Si l'appareil ne s'allume pas, il se peut que le flexible contienne de l'air. Dans ce cas, maintenir le bouton de vanne de commande automatique enfoncé pendant 20 secondes. Relâcher le bouton et attendre 20 secondes pour permettre au gaz non brûlé de sortir de l'appareil. Répéter l'étape 6.

NOTICE: Si l'appareil est débranché ou en cas de panne secteur pendant le fonctionnement, le thermorupteur coupe l'arrivée du gaz. Quelques secondes peuvent s'écouler avant le déclenchement du thermorupteur. Pendant ce bref délai, des flammes peuvent apparaître à l'extérieur de l'appareil. Ceci est normal et les flammes disparaissent lorsque le thermorupteur est déclenché.

POUR ARRÊTER L'APPAREIL DE CHAUFFAGE

1. Fermez hermétiquement la vanne d'approvisionnement en propane du ou des réservoirs de propane.
2. Attendez quelques secondes. L'appareil de chauffage brûlera le gaz qui reste dans les tuyaux d'approvisionnement.
3. Débranchez l'appareil de chauffage.

POUR RALLUMER L'APPAREIL DE CHAUFFAGE

1. Attendez cinq minutes après avoir arrêté l'appareil de chauffage.
2. Répétez les étapes de la rubrique *Pour allumer l'appareil de chauffage*, page 6.

ENTREPOSAGE

⚠ ATTENTION : débranchez l'appareil de chauffage des réservoirs de propane.

1. Entreposez les réservoirs de propane avec les précautions de sécurité nécessaires. Reportez-vous au Chapitre 5 de la *Norme pour l'emmagasinage et la manipulation des gaz de pétrole liquéfiés, ANSI/NFPA 58*. Respectez tous les codes locaux. Entreposez toujours les réservoirs de propane à l'extérieur.

2. Remplacez les bouchons en plastique sur les raccords en laiton d'entrée et de l'assemblage du tuyau et du détendeur.
3. Entreposez l'appareil de chauffage dans un endroit sec, propre et sans danger. N'entreposez pas l'assemblage du tuyau et du détendeur à l'intérieur de la chambre de combustion de l'appareil de chauffage.
4. Avant d'utiliser un appareil de chauffage qui a été entposé, vérifiez toujours l'intérieur de l'appareil. Des insectes et de petits animaux peuvent avoir introduit des corps étrangers dans l'appareil de chauffage. Retirez le moteur et toute autre pièce interne au besoin pour enlever ces corps étrangers (voir *Procédures d'entretien*, page 9).

ENTRETIEN

⚠ AVERTISSEMENT: Ne réparez jamais l'appareil de chauffage lorsqu'il est branché, connecté à la source d'approvisionnement en gaz, en marche ou brûlant. Des brûlures et des chocs électriques graves peuvent se produire.

1. Gardez l'appareil de chauffage propre. Nettoyez l'appareil de chauffage chaque année ou selon les besoins pour enlever la poussière et les débris. Si l'appareil de chauffage est sale ou poussiéreux, nettoyez-le avec un chiffon humide. Employez des produits de nettoyage domestique sur les taches tenaces.
2. Inspectez l'appareil de chauffage avant chaque utilisation. Vérifiez si les branchements ne fuient pas. Appliquez une solution de savon liquide et d'eau aux raccords. La présence de bulles indique une fuite. Réparez toutes les fuites immédiatement.
3. Inspectez l'assemblage du tuyau et du détendeur avant chaque utilisation. Si le tuyau est très usé ou fendu, remplacez-le.
4. Faites inspecter l'appareil de chauffage une fois l'an par une entreprise de service qualifiée.
5. Enlevez les produits combustibles et les corps étrangers qui se trouvent dans l'appareil de chauffage. Retirez le moteur et toute autre pièce interne au besoin pour nettoyer l'intérieur de l'appareil de chauffage (voir *Procédures d'entretien*, page 9).
6. Nettoyez les pales de ventilateur chaque saison ou au besoin (voir *Ventilateur*, page 10).

DÉPANNAGE



AVERTISSEMENT : ne réparez jamais l'appareil de chauffage lorsqu'il est branché, connecté à l'alimentation en gaz, en marche ou brûlant. Des brûlures et des chocs électriques graves peuvent se produire.

PROBLÈME OBSERVÉ	CAUSE POSSIBLE	REMEDY
Le ventilateur ne tourne pas quand l'appareil de chauffage est branché	<ol style="list-style-type: none"> 1. Aucun courant ne se rend à l'appareil de chauffage 2. Le ventilateur frappe l'intérieur de l'habillage de l'appareil de chauffage 3. Les pales du ventilateur sont tordues 4. Moteur défectueux 	<ol style="list-style-type: none"> 1. Vérifiez la tension de la prise de courant. Si la tension est correcte, inspectez le cordon électrique de l'appareil de chauffage 2. Réglez le moteur et la grille de protection du ventilateur pour empêcher ce dernier de frapper l'intérieur de l'habillage de l'appareil de chauffage. Pliez la grille de protection du ventilateur au besoin 3. Remplacez le ventilateur. Voir <i>Ventilateur</i>, page 10 4. Remplacez le moteur
L'appareil de chauffage ne s'allume pas	<ol style="list-style-type: none"> 1. L'utilisateur n'a pas suivi correctement les instructions d'installation ou de fonctionnement 2. Aucune étincelle à l'allumeur. Pour effectuer un test d'étincelle, suivez l'étape 8 de la rubrique <i>Allumeur</i>, page 10. Si vous percevez une étincelle sur l'allumeur, faites réparer l'appareil de chauffage par un technicien qualifié. Si vous ne percevez aucune étincelle : <ol style="list-style-type: none"> A) Le fil d'allumage est desserré ou débranché B) L'espace ne permet pas d'étincelles C) L'allumeur piézo-électrique est desserré D) L'électrode d'allumage est défectueuse 	<ol style="list-style-type: none"> 1. Répétez les instructions d'installation et de fonctionnement. Voir <i>Installation</i>, page 5 et <i>Fonctionnement</i>, page 6 2. A) Inspectez le fil d'allumage. Resserrez ou reconnectez le fil d'allumage s'il est mal fixé. B) Assurez-vous que l'écart entre l'électrode de l'allumeur et la plaque à 4,3 mm (0,17 po). Ne pliez pas l'électrode. Cela pourrait l'endommager C) Resserrez l'écrou qui maintient l'allumeur piézo-électrique au socle de l'appareil de chauffage D) Remettez l'électrode d'allumage en place. Voir <i>Allumeur</i>, page 10
L'appareil de chauffage s'éteint lorsqu'il fonctionne	<ol style="list-style-type: none"> 1. L'alimentation en propane peut ne pas être adéquate 2. La température de l'air ambiant est trop élevée, ce qui provoque l'arrêt de l'appareil de chauffage par le limiteur de température 3. Circulation d'air limitée 4. Ventilateur endommagé 5. Poussière ou débris excessifs dans l'environnement immédiat 	<ol style="list-style-type: none"> 1. A) Remplissez le réservoir B) Fournissez des réservoirs supplémentaires ou de plus grande capacité. Voir <i>Alimentation en propane</i>, page 5 2. Cela peut se produire si la température de l'appareil de chauffage dépasse 29° C (85° F). Faites fonctionner l'appareil de chauffage à plus basse température 3. Inspectez l'entrée et la sortie d'air de l'appareil de chauffage. Retirez toute obstruction 4. Remplacez le ventilateur. Voir <i>Ventilateur</i>, page 10 5. Nettoyez l'appareil de chauffage. Voir <i>Entretien</i>, page 7



AVERTISSEMENT : n'utilisez cet appareil que dans un endroit exempt de poussière.

PROCÉDURES D'ENTRETIEN

⚠ AVERTISSEMENT : ne réparez jamais l'appareil de chauffage lorsqu'il est branché, connecté à l'approvisionnement en gaz, en marche ou brûlant. Des brûlures et des chocs électriques graves peuvent se produire.

CIRCUIT ÉLECTRIQUE

Tout le circuit électrique de cet appareil de chauffage se trouve dans le moteur. Si un des éléments du circuit électrique est endommagé, vous devez remplacer le moteur.

MOTEUR

1. Retirez les trois vis qui fixent la grille de protection du ventilateur à l'habillage de l'appareil de chauffage.
2. Retirez le moteur et la grille de protection du ventilateur de l'habillage de l'appareil de chauffage (voir figure 9).
3. Utilisez une clef hexagonale pour desserrer la vis d'arrêt qui retient le ventilateur à l'arbre moteur (voir figure 10). Retirez le ventilateur. Prenez garde de ne pas endommager le pas des pales du ventilateur.
4. Retirez les deux écrous et deux vis qui fixent la grille de protection du ventilateur au moteur avec un tourne-écrou. Retirez la grille de protection du ventilateur du moteur (voir figure 11).
5. Déconnectez le fil vert du cordon électrique du moteur et retirez les bornes noires et blanches.
6. Jetez l'ancien moteur.
7. Raccordez le cordon électrique vert au moteur.
8. Fixez la grille de protection du ventilateur au nouveau moteur avec deux écrous et deux vis.
9. Remettez en place les bornes noires et blanches.
10. Positionnez le ventilateur sur l'arbre moteur du nouveau moteur. Assurez-vous que la vis d'arrêt est vis-à-vis la surface plate de l'arbre du moteur. Serrez bien la vis d'arrêt (40 à 50 pouces-livres).
11. Installez le moteur et la grille de protection du ventilateur à l'arrière de l'habillage de l'appareil de chauffage. Vérifiez que le cordon électrique est bien positionné (voir figure 12).
12. Insérez trois vis à travers l'habillage de l'appareil de chauffage et dans la grille de protection du ventilateur. Resserrez les vis fermement.

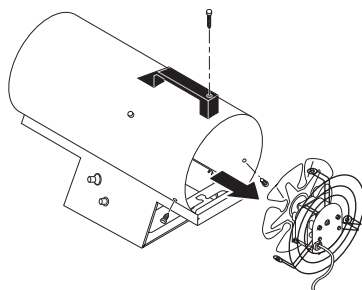


Figure 9 - Retrait de la grille de protection du moteur et du ventilateur de l'appareil de chauffage

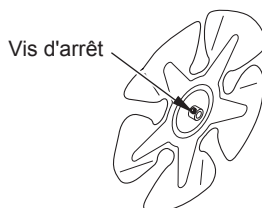


Figure 10 - Emplacement de la vis d'arrêt

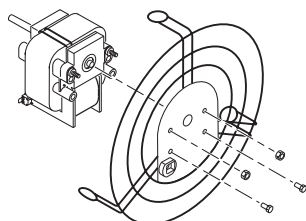


Figure 11 - Retrait ou installation de la grille de protection du moteur

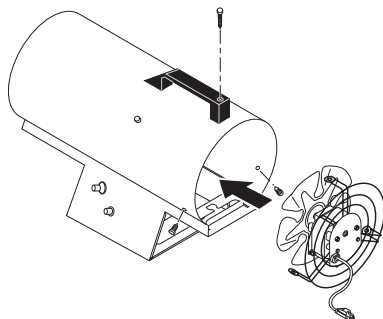


Figure 12 - Installation du moteur et de la grille de protection du ventilateur dans l'appareil de chauffage

PROCÉDURES D'ENTRETIEN

Suite

VENTILATEUR

1. Retirez les trois vis qui fixent la grille de protection du ventilateur à l'habillage de l'appareil de chauffage.
2. Retirez le moteur et la grille de protection du ventilateur de l'habillage de l'appareil de chauffage (voir figure 9, page 9).
3. Utilisez une clef hexagonale pour desserrer la vis d'arrêt qui retient le ventilateur à l'arbre moteur (voir figure 10, page 9).
4. Retirez le ventilateur. Prenez garde de ne pas endommager le pas des pales du ventilateur.
- 5a. Pour remplacer le ventilateur, retirez-le et mettez-le au rebut. Passez à l'étape 7 ci-dessous.
- 5b. Pour nettoyer le ventilateur, employez un chiffon doux humecté de kérosène ou diluant.
6. Séchez le ventilateur complètement.
7. Positionnez le ventilateur sur l'arbre moteur du nouveau moteur. Assurez-vous que la vis d'arrêt est vis-à-vis la surface plate de l'arbre du moteur. Serrez bien la vis d'arrêt (40 à 50 pouces-livres).
8. Installez le moteur et la grille de protection du ventilateur à l'arrière de l'habillage de l'appareil de chauffage. Vérifiez que le cordon électrique est bien positionné (voir figure 12, page 9).
9. Insérez trois vis à travers l'habillage de l'appareil de chauffage et dans la grille de protection du ventilateur. Serrez les vis fermement.

ALLUMEUR

1. Retirez le moteur et la grille de protection du ventilateur de l'habillage de l'appareil de chauffage (voir *Moteur*, page 9, étapes 1 à 5).
2. Retirez le fil d'allumage noir de l'allumeur piézo-électrique. Le fil d'allumage se trouve sous le socle de l'appareil de chauffage (voir figure 13). Passez le fil vers le haut à travers l'encoche du panneau de garniture.
3. Retirez la vis de fixation de l'allumeur de la borne arrière avec un tourne-écrou ou un tournevis standard (voir figure 14).
4. Retirez l'allumeur de la borne arrière.
5. Installez le nouvel allumeur. Fixez l'allumeur à la borne arrière avec la vis de fixation de l'allumeur.
6. Acheminer le fil à travers l'encoche du panneau de garniture et le brancher sur l'allumeur piézo-électrique.
7. Assurez-vous que l'espace entre l'électrode d'allumage et la plaque est de 4,3 mm (0,17 po) (voir figure 15).

⚠ AVERTISSEMENT : assurez-vous que l'appareil de chauffage est débranché de la source d'approvisionnement en propane. L'appareil de chauffage pourrait s'allumer et causer des brûlures graves.

8. Effectuez un test de détection d'étincelles. Appuyez sur le bouton d'allumage piézo-électrique et vérifiez si des étincelles apparaissent entre l'électrode d'allumage et la plaque.
9. Installez le moteur et la grille du ventilateur à l'arrière de l'habillage de l'appareil de chauffage (voir *Moteur*, page 8, étapes 8 et 9).

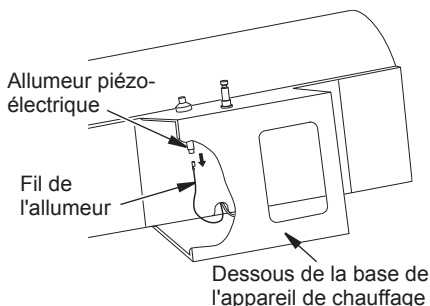


Figure 13 - Retrait du fil de l'allumeur de l'allumeur piézo-électrique

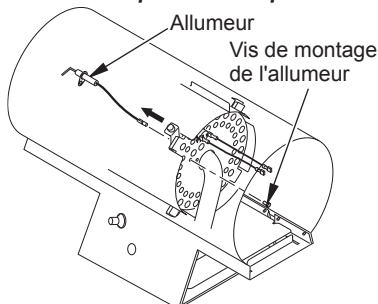


Figure 14 - Retrait de l'allumeur et de la vis de montage

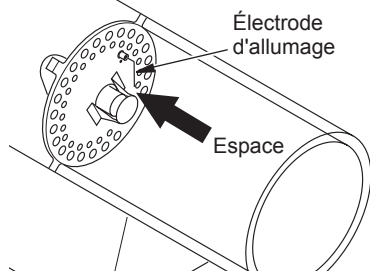


Figure 15 - Espace entre l'électrode d'allumage et la plaque

SPÉCIFICATIONS


- Rendement : 30 000 BTU/Hr (31 644 kJ/Hr)
 - Combustible : vapeur de propane seulement
 - Consommation de carburant/heure : 1,24 litres (0,33 U.S. gallons), 0,63 kg (1,39 lb)
 - Pression de l'alimentation au détendeur : Min.**- 20 psi (138 kPa), Max. - Pression au réservoir ou 200 psi (1 380 kPa)
 - Pression à la sortie du détendeur : 10 psi (69 kPa)
 - Pression du collecteur : 10,1 psi (69 kPa)
 - Sortie d'air chaud (CFM Approx) : 175 (4,95 m³)
 - Moteur : 3 045 tr/min, 1/40 HP
 - Entrée électrique : 120 volt/60 hertz
 - Intensité du courant électrique : 0,6
 - Allumage : manuelle, piézo-électrique
 - Température de fonctionnement : -6,7° et 29,5° C* (-20° et 85° F*)
 - Poids de l'appareil : 11 lb (4,99 kg)
 - Poids à l'expédition : 13 lb (5,90 kg)
 - Emballage (L x P x H) : 49,3 x 24,8 x 37,5 cm (19,4 x 9,75 x 14,75 po),
Appareil (L x P x H) : 47 x 22,32 x 32,5 cm (18,5 x 8,0 x 12,8 po)
- * Lorsque que l'appareil de chauffage fonctionne avec une température ambiante supérieure à 29,5°C (85°F), une température interne élevée peut provoquer l'arrêt de l'appareil de chauffage par le limiteur de température.
- ** Uniquement à des fins de réglage de l'entrée.

SERVICE TECHNIQUE

Vous avez peut-être d'autres questions sur cet appareil de chauffage. Si tel est le cas, contactez le service technique de DESA Heating Products au 1-866-672-6040. Lorsque vous appelez, ayez sous la main les numéros de modèle et de série de votre appareil de chauffage.

Vous pouvez aussi visiter le site Web du service technique de DESA Heating Products à www.desatech.com.

PIÈCES DE RECHANGE

 **AVERTISSEMENT** : n'utilisez que des pièces de rechange d'origine. Cet appareil de chauffage utilise des pièces conçues spécifiquement pour lui. Ne pas utiliser de substituts ou de pièces génériques. L'utilisation de pièces de rechange inadéquates peut causer des blessures graves ou la mort. Ceci protégera également la garantie des pièces remplacées sous garantie.

PIÈCES SOUS GARANTIE

Communiquez avec un revendeur autorisé de ce produit. S'il ne peut vous fournir des pièces de remplacement d'origine, appelez DESA Industries au 1-905-826-8010.

Lorsque vous appelez DESA Industries, soyez prêt à fournir :

- votre nom
- votre adresse
- le numéro du modèle de l'appareil de chauffage
- une description de la panne de l'appareil de chauffage
- la date de l'achat

En général, nous vous demanderons de retourner la pièce à l'usine.

PIÈCES QUI NE SONT PAS SOUS GARANTIE

Communiquez avec un revendeur autorisé de ce produit. S'il ne peut vous fournir des pièces de remplacement d'origine, appelez le Service des pièces de DESA Industries au 1-905-826-8010.

Lorsque vous appelez DESA Industries, soyez prêt à fournir :

- le numéro du modèle de l'appareil de chauffage
- le numéro de la pièce de rechange

ACCESSOIRE

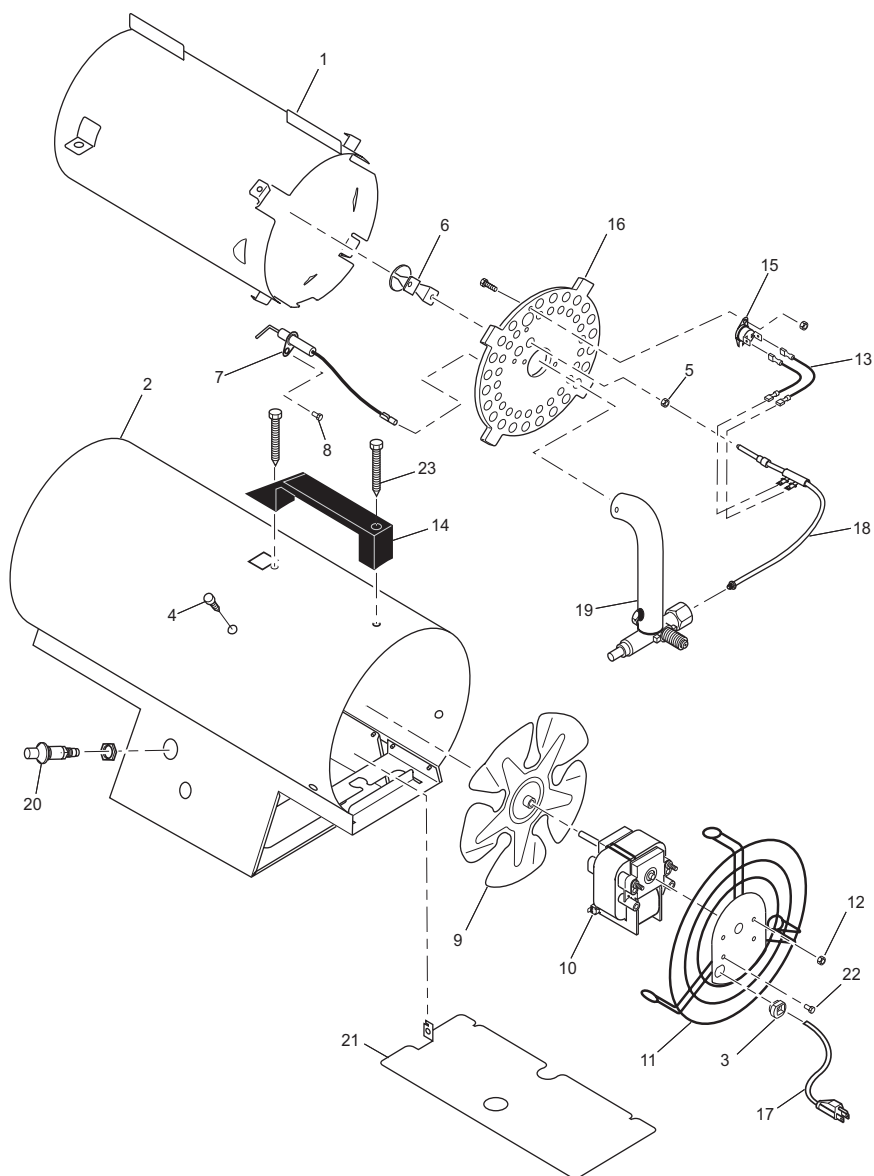
Achetez les accessoires et les pièces chez un revendeur ou au centre de service le plus près de chez vous. Si votre revendeur ou le centre de service ne peut fournir un accessoire ou une pièce, appelez le Service des pièces de DESA Industries au 1-905-826-8010. Vous pouvez aussi nous écrire à l'adresse indiquée au dos de ce manuel.

RACCORD DE GAZ - LPA4020

Permet de raccorder le détendeur à tout réservoir de propane standard. Sur la liste U.L. et A.G.A.

VUE DÉTAILLÉE DES PIÈCES

MODÈLE RCLP30



LISTE DES PIÈCES

MODÈLE RCLP30

Cette liste contient les pièces de rechange utilisées dans votre appareil de chauffage. Quand vous commandez des pièces, reportez-vous aux instructions de la section *Pièces de rechange* à la page 11 de ce manuel.

N°	N° DE PIÈCE	DESCRIPTION	QTÉ
1	**	Chambre de combustion	1
2	**	Châssis intégral	1
3	M11143-1	Bride de cordon	1
4	M11084-27	Vis	2
5	099237-01	Écrou de thermocouple	2
6	103894-01	Ensemble de support d'indicateur	1
7	104784-01	Électrode d'allumage	1
8	M11084-38	Vis d'assemblage hexagonale, n°8-18 x 3/8 po	1
9	101478-02	Ventilateur	1
10	104156-01	Assemblage de moteur	1
11	103863-01	Grille de protection du ventilateur	1
12	097384-02	Écrou à rondelle	2
13	101480-12	Assemblage de fils	1
14	104786-01	Assemblage de poignée	1
15	101732-05	Prêt-à-monter d'interrupteur thermique	1
16	**	Ensemble de tête arrière	1
17	098219-17	Cordon d'alimentation	1
18	104146-01	Thermocouple	1
19	104144-01	Assemblage de vanne/orifice/tube du brûleur	1
20	102445-01	Allumeur piézo-électrique	1
21	**	Panneau de garniture	1
22	M12461-14	Vis hexagonale, 8-32 x 3/8	4
23	097403-01	Vis, n°10 x 1.25 SPH Noir	2
PIÈCES DISPONIBLES — PAS ILLUSTRÉES			
	097941-27	Étiquette de marque de commerce	2
	104161-02	Étiquette de renseignements généraux	1
	104160-02	Étiquette d'utilisation	1
	LPA3120	Assemblage du tuyau et du détendeur	1

** Cette pièce n'est pas remplaçable hors de l'usine.

NOTES

NOTES

SERVICE DE GARANTIE ET DE RÉPARATION

CONSERVEZ CETTE GARANTIE

Modèle _____

Numéro de série _____

Date de l'achat _____

GARANTIE LIMITÉE

DESA Industries garantit ce produit et toutes les pièces qu'il contient contre tout défaut de matériau et de fabrication pour un (1) an à partir de la date d'achat originale lorsque utilisés et entretenus selon les instructions. Cette garantie ne protège que l'acheteur au détail d'origine lorsqu'une preuve d'achat est fournie.

Cette garantie ne couvre que le coût des pièces et de la main d'œuvre requis pour restaurer le produit à son état de fonctionnement normal. Le transport et les frais incidents associés aux réparations sous garantie ne sont pas remboursables sous cette garantie.

Les réparations sous garantie ne sont disponibles que par l'intermédiaire de revendeurs et de centres de service autorisés.

Cette garantie ne couvre pas les défauts causés par la mauvaise utilisation, l'abus, la négligence, les accidents, le manque d'entretien adéquat, l'usure normale, les modifications, les altérations, le traficage, les combustibles contaminés, les réparations avec des pièces inadéquates ou les réparations par quelqu'un d'autre qu'un revendeur ou un centre de service autorisé. L'entretien de routine est la responsabilité du propriétaire.

CETTE GARANTIE EXPRESSE REMPLACE TOUTE AUTRE GARANTIE EXPRESSE OU IMPLICITE, Y COMPRIS LES GARANTIES DE COMMERCIALITÉ ET D'ADÉQUATION À UN BESOIN PARTICULIER.

DESA Industries n'assume aucune responsabilité pour des dommages indirects, imprévus ou incidents. Certains États ou provinces ne permettent pas l'exclusion ou la restriction des dommages imprévus ou incidents et certaines restrictions ou exclusions pourraient ne pas s'appliquer à votre cas. Cette garantie limitée vous donne des droits spécifiques selon la loi; vous pourriez aussi avoir d'autres droits selon l'état ou la province où vous habitez.

Nous nous réservons le droit de modifier ces spécifications à tout moment sans préavis. La seule garantie valable est notre garantie écrite standard. Nous n'offrons aucune autre garantie, expresse ou implicite.

Cette garantie ne couvre pas la décoloration causée par le fonctionnement de l'appareil. Nous nous réservons le droit de modifier ces spécifications à tout moment sans préavis. La seule garantie valable est notre garantie écrite standard. Nous n'offrons aucune autre garantie, expresse ou implicite.

RÉPARATION SOUS GARANTIE

Si votre appareil de chauffage a besoin de réparation, retournez-le au centre de service autorisé le plus près de chez vous. Une preuve d'achat doit être présentée avec l'appareil de chauffage. L'appareil de chauffage sera inspecté. Un défaut peut être causé par des matériaux défectueux ou un défaut de fabrication. Si tel est le cas, DESA Industries acceptera de réparer l'appareil de chauffage sans frais.

SERVICE DE RÉPARATION

Retournez votre appareil de chauffage au centre de service autorisé le plus proche de chez vous. Les réparations non couvertes par la garantie seront facturées aux prix normaux. Chaque centre de service est autonome. Nous nous



INDOOR/OUTDOOR PRODUCTS

2701 Industrial Drive

P.O. Box 90004

Bowling Green, KY 42102-9004

ATTN: Customer Service Department



INDUSTRIES OF CANADA, INC.

2220 Argentia Road, Unit #4

Mississauga, Ontario L5N2K7

905-826-8010



104787 01

NOT A UPC

104787-01

Rev. D

09/05

Free Manuals Download Website

<http://myh66.com>

<http://usermanuals.us>

<http://www.somanuals.com>

<http://www.4manuals.cc>

<http://www.manual-lib.com>

<http://www.404manual.com>

<http://www.luxmanual.com>

<http://aubethermostatmanual.com>

Golf course search by state

<http://golfingnear.com>

Email search by domain

<http://emailbydomain.com>

Auto manuals search

<http://auto.somanuals.com>

TV manuals search

<http://tv.somanuals.com>