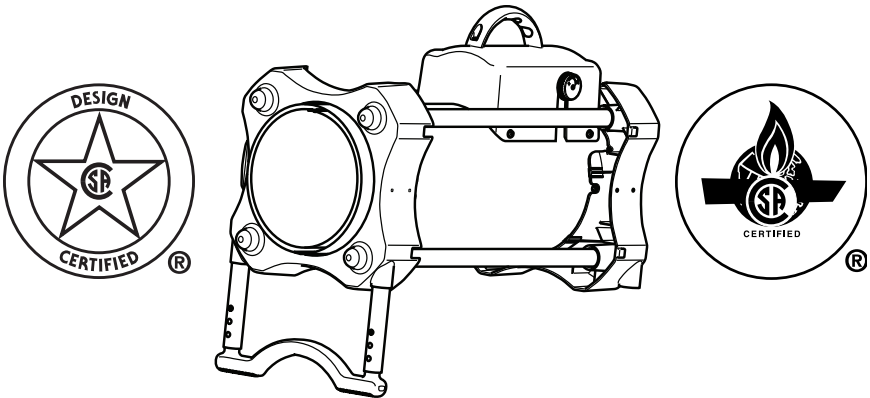




PROPANE/LP CONSTRUCTION FORCED AIR HEATER OWNER'S MANUAL



55,000 BTU MODELS TB100, TB104, TB106, TB110
85,000 BTU MODELS TB102, TB111, TB114
125,000 BTU TB101, TB105, TB107, TB112
170,000 BTU TB103, TB108, TB113

IMPORTANT: Read and understand this manual before assembling, starting or servicing heater. Improper use of heater can cause serious injury. Keep this manual for future reference.

⚠ GENERAL HAZARD WARNING: Failure to comply with the precautions and instructions provided with this heater, can result in death, serious bodily injury and property loss or damage from hazards of fire, explosion, burn, asphyxiation, carbon monoxide poisoning and/or electrical shock.

Only persons who can understand and follow the instructions should use or service this heater.

If you need assistance or heater information such as an instructions manual, labels, etc. Contact the manufacturer.

Save this manual for future reference.
For more information, visit www.desatech.com

TABLE OF CONTENTS

Safety Information	2	Maintenance	7
Product Identification	3	Service Procedures	8
Unpacking	4	Specifications	9
Assembly	4	Wiring Diagrams	10
Theory of Operation	4	Replacement Parts	11
Propane Supply	5	Technical Service	11
Ventilation	5	Service Publications	11
Installation	5	Accessories	11
Operation	6	Illustrated Parts Breakdown and Parts List	12
Storage	7	Warranty and Repair Service	18

SAFETY INFORMATION

⚠ WARNING: This product contains and/or generates chemicals known to the State of California to cause cancer or birth defects or other reproductive harm.

⚠ WARNING: Fire, burn, inhalation and explosion hazard. Keep solid combustibles, such as building materials, paper or cardboard, a safe distance away from the heater as recommended by the instructions. Never use the heater in spaces which do or may contain volatile or airborne combustibles or products such as gasoline, solvents, paint thinner, dust particles or unknown chemicals.

⚠ WARNING: Not for home or recreational vehicle use.

The heater is designed and approved for use as a construction heater under ANSI Z83.7-CGA 2.14-2000 Construction Heater. The purpose of construction heaters is to provide temporary heating of buildings under construction, alteration or repair. Properly used, the heater provides safe economical heating. Products of combustion are vented into the area being heated.

We cannot foresee every use which may be made of our heaters. **Check with your local fire safety authority if you have questions about heater use.**

Other standards govern the use of fuel gases and heat producing products for specific uses. Your local authorities can advise you about these.

Carbon Monoxide Poisoning: Some people are more affected by carbon monoxide than others. Early signs of carbon monoxide poisoning resemble the flu, with headaches, dizziness and/or nausea. If you have these signs, the heater may not be working properly. **Get fresh air at once!** Have heater serviced.

Propane/LP Gas: Propane/LP gas is odorless. An odor-making agent is added to propane/LP gas. The odor helps you detect a propane/LP gas leak. However, the odor added to propane/LP gas can fade. Propane/LP gas may be present even though no odor exists.

Make certain you read and understand all warnings. Keep this manual for reference. It is your guide to safe and proper operation of this heater.

1. Install and use heater with care. Follow all local ordinances and codes. In the absence of local ordinances and codes, refer to the *Standard for Storage and Handling of Liquefied Petroleum Gas, ANSI/NFPA 58* and the *Natural Gas and Propane Installation Code CSA B149.1*. This instructs on the safe storage and handling of propane gases.
2. Use only the electrical voltage and frequency specified on model plate. The electrical connections and grounding of the heater shall follow the *National Electric Code, ANSI/NFPA 70* or the *Canadian Electric Code, Part 1*.
3. Electrical grounding instructions - This appliance is equipped with a three-prong (grounding) plug for your protection against shock hazard and should be plugged directly into a properly grounded three-prong receptacle or extension cord.
4. This product has been approved for use in the Commonwealth of Massachusetts.
5. For indoor use only. Provide adequate ventilation.
6. Keep heater away from strong drafts, wind, water spray, rain or dripping water.

SAFETY INFORMATION

Continued

7. Use only in well-vented areas. Before using heater, provide at least a three-square-foot opening of fresh, outside air for each 100,000 Btu/Hr (105,500 kJ) of rating.
8. Do not use heater outdoors or in occupied dwellings.
9. Do not use heater in living or sleeping quarters.
10. Keep appliance area clear and free from combustible materials, gasoline, paint thinner and other flammable vapors and liquids. Dust is combustible. Do not use heater in areas with high dust content.
11. If this heater is equipped with a thermostat. Heater may start at anytime.
12. Check heater for damage before each use. Do not use a damaged heater.
13. Use only propane/LP gas set up for vapor withdrawal.
14. Keep propane tank(s) below 100° F (38° C).
15. Do not use heater in a basement or below ground level. Propane/LP gas is heavier than air. If a leak occurs, propane/LP gas will sink to the lowest possible level.
16. Use only the hose and factory regulator provided with the heater.
17. Check hose before each use of heater. If highly worn or cut, replace with hose specified by manufacturer before using heater.
18. Do not alter heater. Keep heater in its original state.
19. Do not use heater if altered.
20. Keep heater at least 6 feet (1.8 m) from propane/LP tank(s). Do not point heater at propane/LP tank(s) within 20 feet (6.1 m).
21. Minimum heater clearances from combustibles: Outlet: 8 Ft. (2.4 m), Sides: 2 Ft. (0.6 m), Top: 6 Ft. (1.8 m), Rear: 2 Ft. (0.6 m).
22. Locate heater on stable and level surface if heater is hot or running.
23. Keep children and animals away from heater.
24. Turn off propane/LP supply and unplug heater when not in use.
25. Never block air inlet (rear) or hot air outlet (front) of heater.
26. Never move, handle or service a hot, operating or plugged in heater.
27. Never attach duct work to front or rear of heater.
28. Use only original replacement parts. This heater must use design-specific parts. Do not substitute or use generic parts. Improper replacement parts could cause serious or fatal injuries.
29. Do not use this product without leg and foot assembly.

PRODUCT IDENTIFICATION

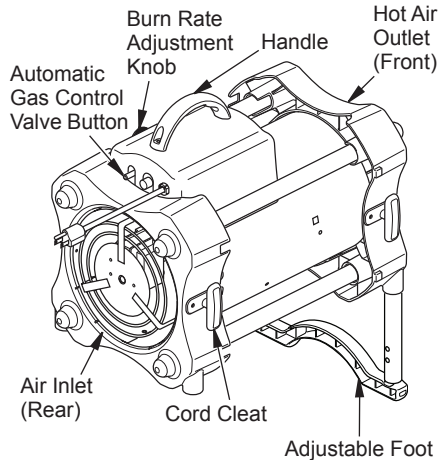


Figure 1 - 55/85/125,000 Btu/Hr Models

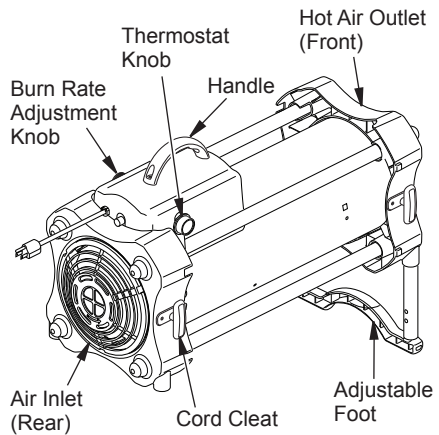


Figure 2 - 170,000 Btu/Hr Models

UNPACKING

1. Remove all packing items applied to heater for shipment. Keep plastic cover cap (attached to heater inlet connector and hose/regulator assembly) for storage.
2. Remove all items from carton.
3. Check all items for shipping damage. If heater is damaged, promptly inform dealer where you bought heater.

ASSEMBLY

IMPORTANT: Do not use this product without leg and foot assembly.

Handle

Attach handle to control box with 2 screws (long) as shown in Figure 3.

Plastic Foot and Leg Extensions

1. Insert leg extensions into outlet end cap until small hole lines up with larger hole, visible from inside of outlet end cap (see Figure 3). Fasten leg extensions with provided screws (short).
2. Insert plastic foot ends into each leg extension and set heater to desired angle.

Small post screws on plastic foot will snap into holes in leg extensions.

Cord Cleats

Install cord cleats on side of end caps as shown in Figure 3 with screws provided (short).

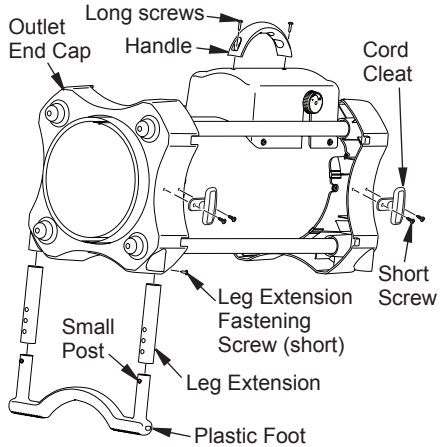


Figure 3 - Handle and Foot Assembly

THEORY OF OPERATION

The Fuel System: The hose/regulator assembly attaches to the propane gas supply. For 55/85/125 models, the propane gas moves through the automatic control valve, burn rate adjustment valve and out the injector. For 170 models, the propane gas moves through the solenoid valve, burn rate adjustment valve and out the injector.

The Air System: The motor turns the fan. The fan pushes air into and around the combustion chamber. This air is heated and provides a stream of clean, hot air.

The Ignition System: For 55/85/125 models the high voltage ignitor sends voltage to the spark ignitor. For 170 models direct spark ignitor sends voltage to the spark ignitor. The spark ignitor ignites the fuel and air mixture.

The Safety Control System: This system causes the heater to shut down if the flame goes out. The motor will continue to run, but no heat is produced.

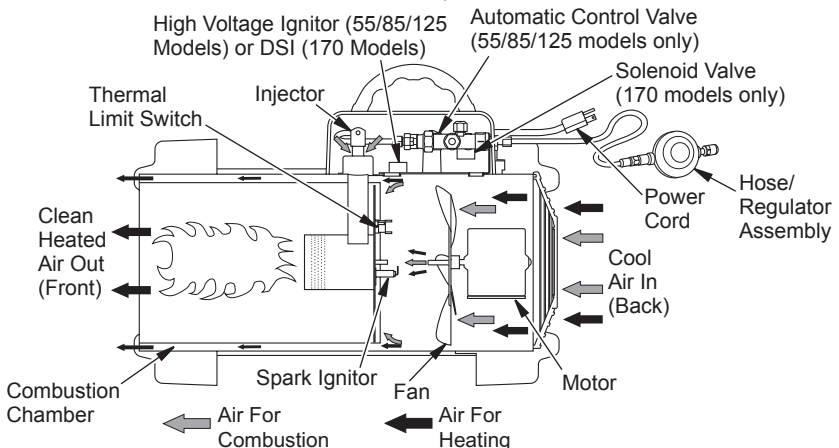


Figure 4 - Cross Section Operational View

PROPANE SUPPLY

Propane/LP gas and propane/LP tank(s) are to be furnished by the user.

Use this heater only with a propane/LP vapor withdrawal supply system. See Chapter 5 of the *Standard for Storage and Handling of Liquefied Petroleum Gas, ANSI/NFPA 58* and the *Natural Gas and Propane Installation Code CSA B149.1*. Your local library or fire department will have these booklets.

The amount of propane/LP gas ready for use from propane/LP tanks varies. Two factors decide this amount:

1. The amount of propane gas in tank(s)
2. The temperature of tank(s)

The chart below shows the number of 100 lb (45 kg) tanks needed to run this heater.

Temperature at tank location	Number of tanks Models		
	55	85	125/170
above 20° F (-7° C)	1	1	2
20° F (-7° C) to -0 (-18° C)	1	2	3

Less gas is vaporized at lower temperatures. You may need a larger tank in colder weather. Your local propane/LP gas dealer will help you select the proper supply system.

VENTILATION

WARNING: Follow the minimum fresh, outside air ventilation requirements. If proper fresh, outside air ventilation is not provided, carbon monoxide poisoning can occur. Provide proper fresh, outside air ventilation before running heater.

Provide a fresh air opening of at least three square feet for each 100,000 Btu/Hr (105,500 k/j) rating. Provide extra fresh air if more heaters are being used.

INSTALLATION

WARNING: Review and understand the warnings in the *Safety Information* section, page 2. They are needed to safely operate this heater. Follow all local codes when using this heater.

WARNING: Test all gas piping and connections for leaks after installing or servicing. Never use an open flame to check for a leak. Apply a mixture of liquid soap and water to all joints. Bubbles forming show a leak. Correct all leaks at once.

1. Provide propane/LP supply system (see *Propane/LP Supply*).
2. Connect POL fitting on hose/regulator assembly to propane/LP tank(s). Turn POL fitting counterclockwise into threads on tank. Tighten firmly using a wrench. **IMPORTANT:** Tighten regulator with vent pointing down. Pointing vent down protects regulator from weather damage.
3. Connect hose to inlet connector of heater. Tighten firmly using a wrench.

IMPORTANT: Extra hose or piping may be used if needed. Install extra hose or piping between propane/LP tank and regulator. You must ensure a minimum of 25 psig at the inlet of the regulator. You must use the regulator supplied with the heater.

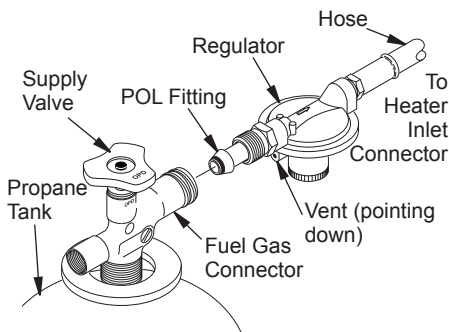


Figure 5 - Regulator With Vent Pointing Down

INSTALLATION

Continued

4. Open propane/LP supply valve on propane/LP tank(s) slowly. *Note:* If not opened slowly, excess-flow check valve on propane/LP tank will stop gas flow. If this happens, you may hear a click inside the regulator assembly. To reset the excess flow check valve, close propane/LP supply valve and open again slowly.
5. Check all connections for leaks.
6. Close propane/LP supply valve.

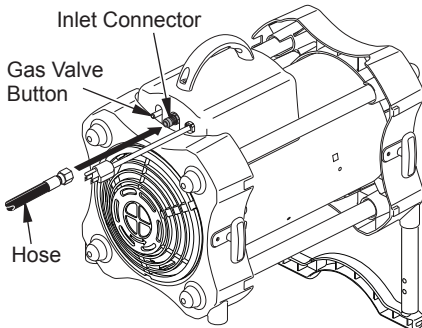


Figure 6 - Hose and Inlet Connector
(Heater may vary from illustration)

OPERATION

⚠ WARNING: Review and understand the warnings in the *Safety Information* section, page 2. They are needed to safely operate this heater. Follow all local codes when using this heater.

TO START HEATER

1. Follow all installation, ventilation and safety information.
2. Locate heater on stable and level surface. Make sure strong drafts do not blow into front or rear of heater.
3. Plug power cord of heater into a three-prong, grounded extension cord. Extension cord must be at least six feet long. Extension cord must be UL listed.

Extension Cord Size Requirement

Up to 50 feet (15 m) long, use 18 AWG rated cord.

51 to 100 feet (15.5 to 30.5 m) long, use 16 AWG rated cord.

101 to 200 feet (30.78 to 61 m) long, use 14 AWG rated cord.

4. Plug extension cord into a 120 volt/60 hertz, three-hole, grounded outlet.
5. Open propane/LP supply valve on propane/LP tank(s) slowly. *Note:* If not opened slowly, excess-flow check valve on propane/LP tank will stop gas flow. If this happens, you may hear a click inside the regulator assembly. To reset the excess flow check valve, close propane/LP supply valve and open again slowly.
6. Adjust variable Btu control knob fully clockwise to LO.

55, 85, 125 Models Only

7. Press and hold in gas valve button. Heater should ignite within a few seconds.
Note: If heater fails to ignite, hose may have air in it. If so, keep gas valve button pressed and wait 20 seconds. Release gas valve button and wait 20 seconds for unburned fuel to exit heater. Repeat step 6.
8. After heater ignites, wait 30 seconds. This activates the automatic control system. Release the gas control valve button.

170 Models Only

9. Adjust thermostat to desired setting. If heater does not start, thermostat setting may be too low. Turn thermostat knob to higher position to start heater. *Note:* If heater does not start, unplug heater. Wait ten seconds for safety control to reset, plug in heater, then try again.

All Models

10. When burner remains lit, set heater to the desired heat level by turning the variable Btu control knob counterclockwise. If burner goes out, turn off gas. Turn variable Btu control knob fully clockwise to the lowest position. Check fuel supply. If adequate fuel is available, restart heater beginning at step 1.

TO STOP HEATER

1. Tightly close propane/LP supply valve on propane tank(s).
2. Wait a few seconds. Heater will burn gas left in supply hoses.
3. Unplug heater.

OPERATION

Continued

TO RESTART HEATER

If safety control stops gas flow to heater, motor will continue to run.

1. Unplug heater.
2. Wait ten seconds. Plug heater in.

If heater does not restart

- A. Check supply valves (on propane/LP tank). Make sure they are open.
- B. Check fuel level in propane/LP tank(s). If fuel level is too low, contact local propane/LP gas company.


If heater still does not restart, contact your local service center.

STORAGE

 **CAUTION: Disconnect heater from propane supply tank(s).**

1. Store propane/LP tank(s) in safe manner. See chapter 5 of *Standard for Storage and Handling of Liquefied Petroleum Gases, ANSI/NFPA 58* and the *Natural Gas and Propane Installation Code CSA B149.1*. Follow all local codes.
2. Place plastic cover caps over brass fittings on inlet connector of heater and hose/regulator assembly.
3. Store in dry, clean and safe place. Do not store hose/regulator assembly inside heater combustion chamber.
4. When taking heater out of storage, always check inside of heater. Insects and small animals may place foreign objects in heater. Keep inside of heater free from combustible and foreign objects.

MAINTENANCE

 **WARNING: Never service heater while it is plugged in, connected to propane supply, operating or hot. Severe burns and electrical shock can occur.**

1. Keep heater clean. Clean heater annually or as needed to remove dust and debris. If heater is dirty or dusty, clean heater with a damp cloth.
2. Inspect heater before each use. Check connections for leaks. Apply mixture of liquid soap and water to connections. Bubbles forming show a leak. Correct all leaks at once.
3. Inspect hose/regulator assembly before each use. If hose is highly worn or cut, replace.
4. Have heater inspected yearly by a qualified service agency.
5. Keep inside of heater free from combustible and foreign objects.

SERVICE PROCEDURES

⚠ WARNING: Never service heater while it is plugged in, connected to propane supply, operating or hot. Severe burns and electrical shock can occur.

CLEANING FAN

Clean fan every 500 hours of operation or as needed.

1. Remove screws on top cover using 5/16" nut-driver or Phillips head screw driver.
2. Remove top cover.
3. Detach the 2 black motor wires from terminal block under top cover. Be sure to detach only wires coming from motor.
4. Remove fan guard from rear of heater. Fan guard will snap out of shell.
5. Reach into rear of heater shell. Carefully pull motor wires through hole in bracket. *Note:* Pull wires through hole one at a time.
6. Remove screws holding motor mount to shell. Use 5/16" nut driver or Phillips head screw driver.
7. Carefully pull motor and fan out of shell. *IMPORTANT:* Be careful not to damage fan. Do not set motor and fan down with the weight resting on fan. This could damage fan pitch.
8. Turn motor and fan around. Place motor and fan into shell backwards. *Note:* Motor will go into shell first (see Figure 8).
9. Line up rear mounting holes in shell with first hole on each side of motor mount (see Figure 8). *Note:* When holes are lined up, fan should be outside of shell.
10. Holding mounting screws, carefully reach through fan blades into rear of heater. Be careful not to damage fan pitch. Insert screw through motor mount and shell. With free hand, attach screw finger tight. Repeat process for other mounting hole.
11. Use 1/8" hex wrench to loosen setscrew which holds fan to motor shaft (see Figure 9, page 9).
12. Slip fan off motor shaft.
13. Clean fan using soft cloth moistened with a cleaning solvent.

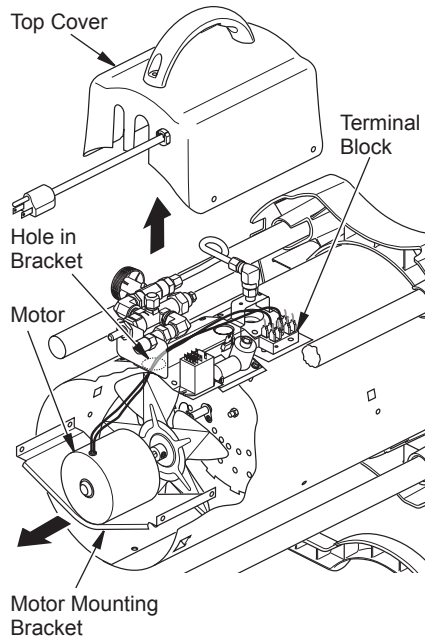


Figure 7 - Removing Fan and Motor

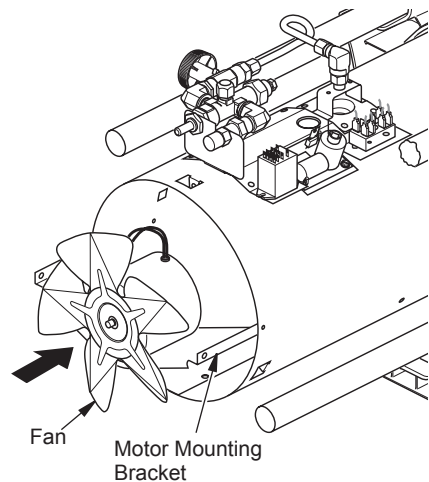


Figure 8 - Fan and Motor Reversed for Cleaning

SERVICE PROCEDURES

Continued

14. Dry fan thoroughly.
15. Replace fan on motor shaft. Place setscrew on flat of shaft. See chart in Figure 10 for distance of fan hub from end of motor shaft. Tighten setscrew firmly (40-50 inch-pounds).
16. Remove screws securing motor mount to shell.
17. Pull motor and fan from shell. Turn motor and fan around. Carefully place back in shell. *Note:* Fan will go into shell first.
18. Line up mounting holes in shell with holes on motor mount. Replace 4 screws through shell and motor mount.
19. Route motor wires through hole in top of shell (see Figure 7, page 8).
20. Reconnect motor wires to the same posts on terminal block as removed in step 3, page 8 (see Figure 7, page 8).
21. Replace top cover.
22. Replace fan guard.

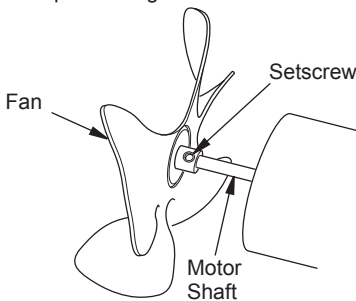


Figure 9 - Fan, Motor Shaft and Setscrew Identification

Model	Distance A
55	0.19" (4.8 mm)
85	0.5" (12.7 mm)* or 0.9" (22.9 mm)*
125	0.5" (12.7 mm)* or 0.9" (22.9 mm)*
170	0.25" (6.4 mm)

* Depending on Motor Shaft

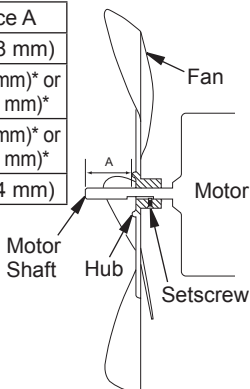


Figure 10 - Fan Cross Section

SPECIFICATIONS

All Models

- Propane/LP Gas
- Gas Supply Pressure to Regulator: Max - Bottle Pressure, Min - 25 psig (172.4 kPa)
- Gas Supply Pressure Regulator Out: 20 psig (137.9 kPa)
- Electrical Input: 120V, 60 Hz, 1Ø, 3a
- Direct Spark Ignition
- Minimum Ambient Temp. Rating: 0° F (-17.8° C)

55,000 Btu/Hr Models

- 30 - 55,000 Btu/Hr (8.8 - 16.1 kW)
- Fuel Consumption: 1.4 - 2.6 pounds/hr (0.70 - 1.28 kg/hr)
- Primary Flame Control: Thermocouple operated gas valve
- Heated Air Output: 300 CFM (8.49 m³/min)

85,000 Btu/Hr Models

- 50 - 85,000 Btu/Hr (14.6 - 25.0 kW)
- Fuel Consumption: 2.3 - 3.9 pounds/hr (1.04 - 1.77 kg/hr)
- Primary Flame Control: Thermocouple operated gas valve
- Heated Air Output: 350 CFM (9.91 m³/min)

125,000 Btu/Hr Models

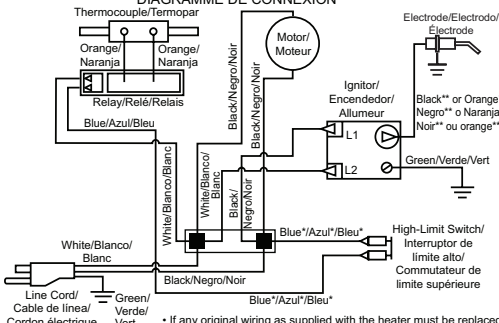
- 75 - 125,000 Btu/Hr (21.9 - 36.6 kW)
- Fuel Consumption: 3.5 - 5.8 pounds/hr (1.59 - 2.63 kg/hr)
- Primary Flame Control: Thermocouple operated gas valve
- Heated Air Output: 350 CFM (9.91 m³/min)

170,000 Btu/Hr Models

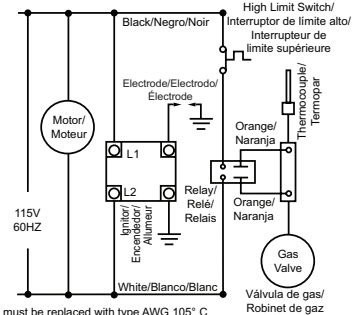
- 125 - 170,000 Btu/Hr (36.6 - 49.8 kW)
- Fuel Consumption: 5.8 - 7.9 pounds/hr (2.63 - 3.6 kg/hr)
- Primary Flame Control: DSI Flame Rectification
- Heated Air Output: 450 CFM (12.74 m³/min)

WIRING DIAGRAMS

CONNECTION DIAGRAM/DIAGRAMA DE CONEXIONES/
DIAGRAMME DE CONNEXION



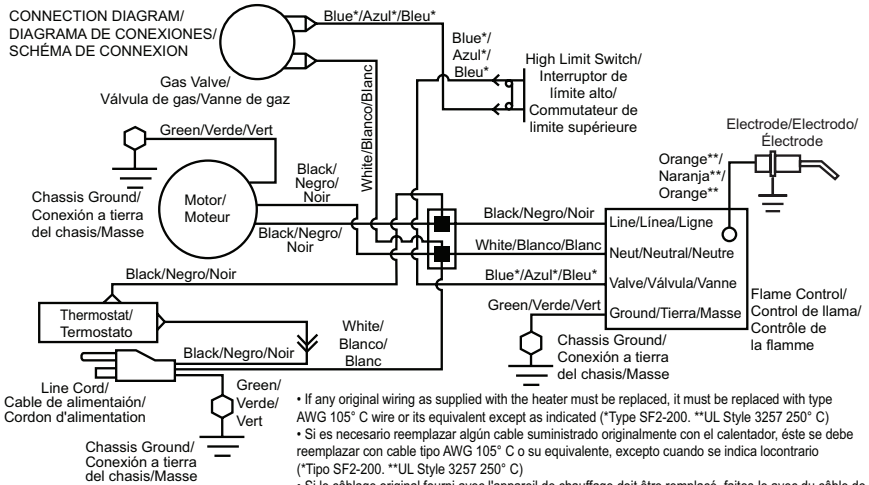
SCHEMATIC DIAGRAM/DIAGRAMA ESQUEMÁTICO/
DIAGRAMME DE CIRCUIT



- If any original wiring as supplied with the heater must be replaced, it must be replaced with type AWG 105° C wire or its equivalent except as indicated (*Type SF2-200. **UL Style 3257 250° C)
- Si es necesario reemplazar algún cable suministrado originalmente con el calentador, éste se debe reemplazar con cable tipo AWG 105° C o su equivalente, excepto cuando se indica lo contrario (*Tipo SF2-200. **UL Style 3257 250° C)
- Si le câblage fourni avec l'appareil de chauffage doit être remplacé, faites-le avec du câble de type AWG 105° C ou son équivalent, sauf indication contraire (*Type SF2-200. **UL Style 3257 250° C)

55,000, 85,000 and 125,000 Btu/Hr Models


CONNECTION DIAGRAM/
DIAGRAMA DE CONEXIONES/
SCHEMA DE CONNEXION



- If any original wiring as supplied with the heater must be replaced, it must be replaced with type AWG 105° C wire or its equivalent except as indicated (*Type SF2-200. **UL Style 3257 250° C)
- Si es necesario reemplazar algún cable suministrado originalmente con el calentador, éste se debe reemplazar con cable tipo AWG 105° C o su equivalente, excepto cuando se indica lo contrario (*Tipo SF2-200. **UL Style 3257 250° C)
- Si le câblage original fourni avec l'appareil de chauffage doit être remplacé, faites-le avec du câble de type AWG 105° C ou son équivalent, sauf indication contraire (*Type SF2-200. **UL Style 3257 250° C)

170,000 Btu/Hr Models

REPLACEMENT PARTS

 **WARNING: Use only original replacement parts. This heater must use design-specific parts. Do not substitute or use generic parts. Improper replacement parts could cause serious or fatal injuries. This will also protect your warranty coverage for parts replaced under warranty.**

PARTS UNDER WARRANTY

Contact authorized dealers of this product. If they can't supply original replacement part(s), either contact your nearest Parts Central or call DESA Heating Products' Technical Service Department at 1-866-672-6040. When calling DESA Heating Products, have ready:

- your name
- your address
- model and serial numbers of your heater
- how heater was malfunctioning
- purchase date

In most cases, we will ask you to return the part to the factory.

PARTS NOT UNDER WARRANTY

Contact authorized dealers of this product. If they can't supply original replacement part(s), either contact your nearest Parts Central or call DESA Heating Products at 1-866-672-6040 for referral information. When calling DESA Heating Products, have ready:

- model number of your heater
- the replacement part number

TECHNICAL SERVICE

You may have further questions about this heater. If so, contact DESA Heating Products' Technical Service Department at 1-866-672-6040. When calling, please have your model and serial numbers of your heater ready.

You can also visit DESA Heating Products' Technical Service web site at www.desatech.com.

SERVICE PUBLICATIONS

You can purchase a service manual for \$5. Make check payable to DESA Heating Products. Send your request to DESA Heating Products (address on back page). Be sure to include the heater model number.

ACCESSORIES

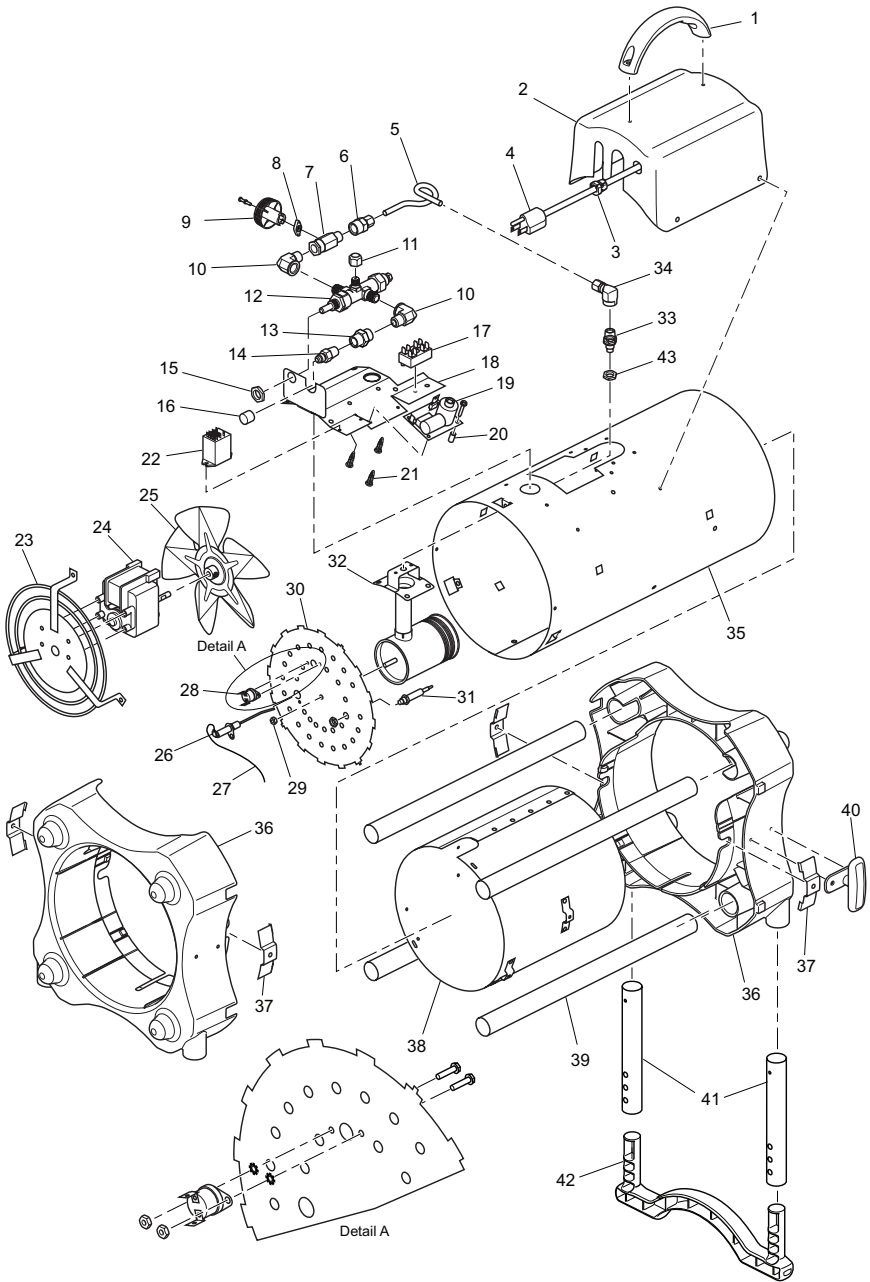
Purchase accessories and parts from your nearest dealer or service center. If they can not supply an accessory or part, either contact your nearest Parts Central (listed in the separate Authorized Service Center booklet) or call DESA Heating Products at 1-866-672-6040. You can also write to the address listed on the back page of this manual.

Fuel Gas Connector: LPA4020

A POL adapter with excess flow check valve.

ILLUSTRATED PARTS BREAKDOWN

55,000 BTU/HR MODELS TB100, TB104, TB106 AND TB110



PARTS LIST

55,000 BTU/HR MODELS

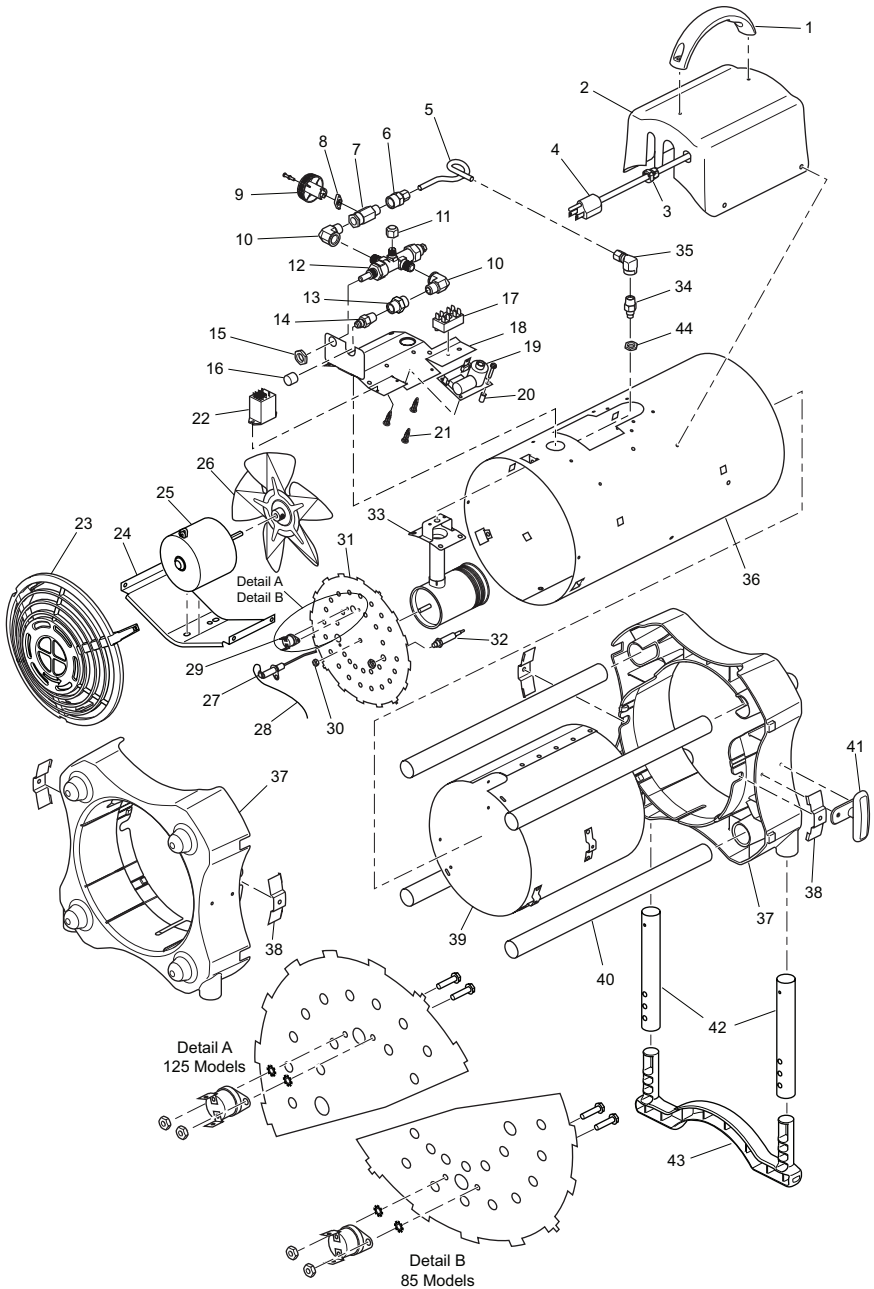
This list contains replaceable parts used in your heater. When ordering parts, follow the instructions listed under *Replacement Parts* on page 11 of this manual.

KEY			TB100	TB104	TB106	TB110	QTY.
NO.	PART NO.	DESCRIPTION					
1	118476-01	Handle	•	•	•	•	1
2	118472-01	Control Box	•	•	•	•	1
3	M11143-2	Strain Relief Bushing	•	•	•	•	1
4	098219-42	Power Supply Cord Assembly	•	•	•	•	1
5	100145-03	Fuel Tube	•	•	•	•	1
6	118796-01	Female Compression Fitting	•	•	•	•	1
7	114159-05	Ball Valve Assembly	•	•	•	•	1
8	113810-01	Ball Valve Knob Insert	•	•	•	•	1
9	118773-01	Ball Valve Knob	•	•	•	•	1
10	113870-01	Elbow Fitting	•	•	•	•	2
11	116981-01	Female Cap Fitting	•	•	•	•	1
12	097155-01	Control Valve	•	•	•	•	1
13	113869-01	Coupling Fitting	•	•	•	•	1
14	097809-04	Male Fitting	•	•	•	•	1
15	113794-01	Valve Nut	•	•	•	•	1
16	078978-03	Cap Sleeve	•	•	•	•	1
17	119401-01	Terminal Block	•	•	•	•	1
18	118506-01	Heat Shield	•	•	•	•	1
19	113867-01	Hi-Lo Mini Ignitor	•	•	•	•	1
20	114150-01	Steel Spacer	•	•	•	•	1
21	118802-01	Printed Circuit Board Support	•	•	•	•	3
22	113875-02	Relay Assembly	•	•	•	•	1
23	118780-01	Motor Grill Assembly	•	•	•	•	1
24	113880-02	Motor Assembly	•	•	•	•	1
25	113881-01	Fan	•	•	•	•	1
26	097805-04	Ignitor	•	•	•	•	1
27	097806-03	Ignitor Cable	•	•	•	•	1
28	101481-12	Thermal Limit Switch	•	•	•	•	1
29	098249-01	Nut	•	•	•	•	1
30	118497-02	Rear Plate	•	•	•	•	1
31	104146-05	Thermocouple	•	•	•	•	1
32	118514-01	Burner Assembly	•	•	•	•	1
33	118685-01	Injector	•	•	•	•	1
34	100146-01	Female Elbow	•	•	•	•	1
35	119496-01	Shell (Black)	•	•	•	•	1
36	118471-01	End Cap	•	•	•	•	2
37	119459-01	Hold Down Bracket	•	•	•	•	4
38	119497-01	Combustion Chamber	•	•	•	•	1
39	118477-03	Steel Tube	•	•	•	•	4
40	118475-01	Cord Cleat	•	•	•	•	2
41	118478-03	Foot Leg	•	•	•	•	2
42	118474-01	Foot	•	•	•	•	1
43	119631-01	Nut	•	•	•	•	1
PARTS AVAILABLE - NOT SHOWN							
	M9900-199	Wire Assembly, Black	•	•	•	•	1
	M9900-200	Wire Assembly, White	•	•	•	•	1
	101480-14	Wire Assembly, Blue	•	•	•	•	1
	118774-04	Hose and Regulator Assembly	•	•	•	•	1
	118687-01	Operation Decal	•	•	•	•	1
	118687-03	Operation Decal	•	•	•	•	1
	119144-01	Model Data Decal	•	•	•	•	1
	119146-01	Wiring Decal	•	•	•	•	1

ILLUSTRATED PARTS BREAKDOWN

85,000 BTU/HR MODELS TB102, TB111 AND TB114

125,000 BTU/HR MODELS TB101, TB105, TB107 AND TB112



PARTS LIST

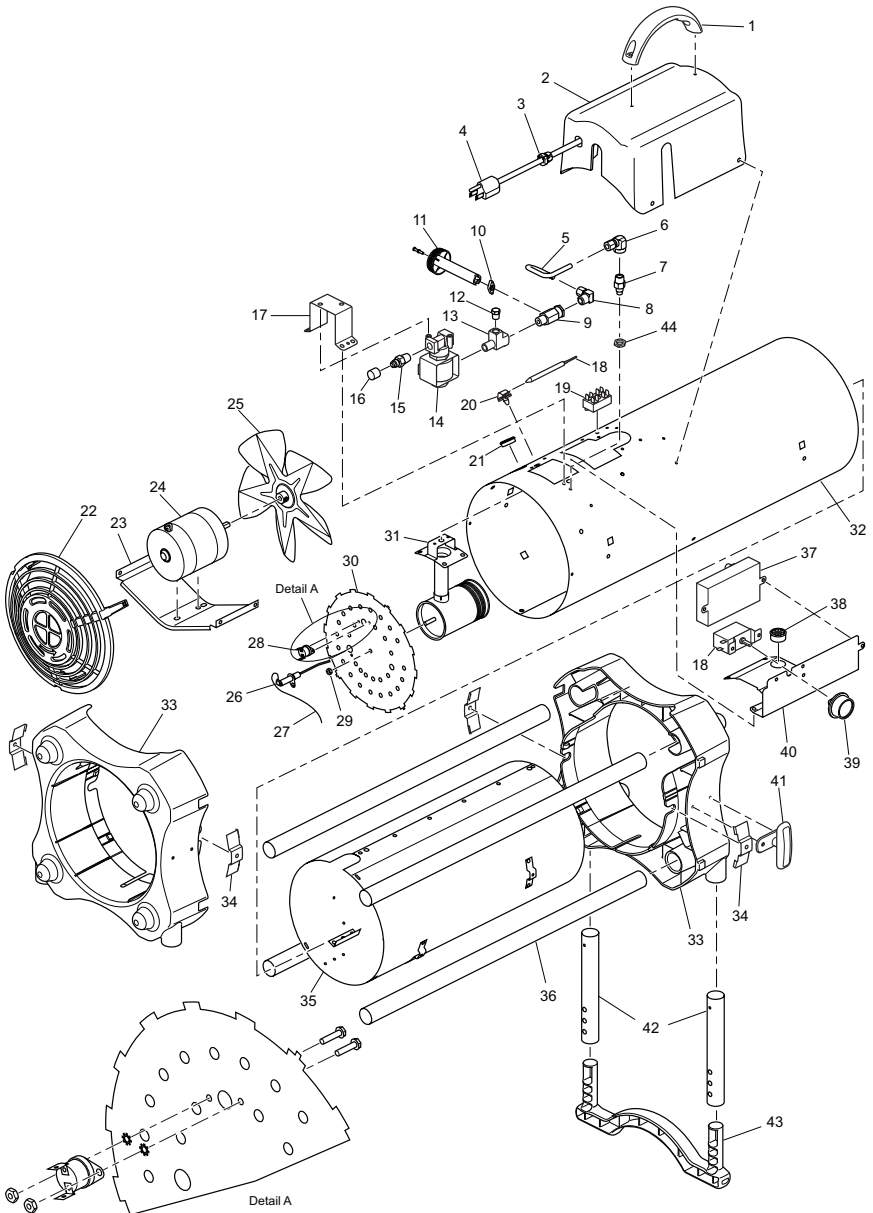
85,000 AND 125,000 BTU/HR MODELS

This list contains replaceable parts used in your heater. When ordering parts, follow the instructions listed under *Replacement Parts* on page 11 of this manual.

KEY NO.	PART NO.	DESCRIPTION	TB102	TB111	TB114	TB101	TB105	TB107	TB112	QTY.
1	118476-01	Handle	*	*	*	*	*	*	*	1
2	118472-01	Control Box	*	*	*	*	*	*	*	1
3	M11143-2	Strain Relief Bushing	*	*	*	*	*	*	*	1
4	098219-42	Power Supply Cord Assembly	*	*	*	*	*	*	*	1
5	100145-03	Fuel Tube	*	*	*	*	*	*	*	1
6	118796-01	Female Compression Fitting	*	*	*	*	*	*	*	1
7	114159-05	Ball Valve Assembly	*	*	*	*	*	*	*	1
	114159-03	Ball Valve Assembly	*	*	*	*	*	*	*	1
8	113810-01	Ball Valve Knob Insert	*	*	*	*	*	*	*	1
9	118773-01	Ball Valve Knob	*	*	*	*	*	*	*	1
10	113870-01	Elbow Fitting	*	*	*	*	*	*	*	2
11	116981-01	Female Cap Fitting	*	*	*	*	*	*	*	1
12	097155-01	Control Valve	*	*	*	*	*	*	*	1
13	113869-01	Coupling Fitting	*	*	*	*	*	*	*	1
14	097809-04	Male Fitting	*	*	*	*	*	*	*	1
15	113794-01	Valve Nut	*	*	*	*	*	*	*	1
16	078978-03	Sleeve Cap	*	*	*	*	*	*	*	1
17	119401-01	Terminal Block	*	*	*	*	*	*	*	1
18	118506-01	Heat Shield	*	*	*	*	*	*	*	1
19	113867-01	Hi-Lo Mini Ignitor	*	*	*	*	*	*	*	1
20	114150-01	Steel Spacer	*	*	*	*	*	*	*	1
21	118802-01	Printed Circuit Board Support	*	*	*	*	*	*	*	3
22	113875-02	Relay Assembly	*	*	*	*	*	*	*	1
23	118473-01	Fan Guard	*	*	*	*	*	*	*	1
24	118482-01	Motor Mount	*	*	*	*	*	*	*	1
25	113860-02	Motor Assembly	*	*	*	*	*	*	*	1
26	113881-01	Fan 7"	*	*	*	*	*	*	*	1
	114160-01	Fan 8"	*	*	*	*	*	*	*	1
27	097805-03	Ignitor	*	*	*	*	*	*	*	1
	097805-04	Ignitor	*	*	*	*	*	*	*	1
28	097806-03	Ignitor Cable	*	*	*	*	*	*	*	1
29	101481-04	Thermal Limit Switch	*	*	*	*	*	*	*	1
	101481-13	Thermal Limit Switch	*	*	*	*	*	*	*	1
30	098249-01	Nut	*	*	*	*	*	*	*	1
31	118497-01	Rear Plate	*	*	*	*	*	*	*	1
	118497-03	Rear Plate	*	*	*	*	*	*	*	1
32	104146-05	Thermocouple	*	*	*	*	*	*	*	1
33	118514-01	Burner Assembly	*	*	*	*	*	*	*	1
	118765-02	Burner Assembly	*	*	*	*	*	*	*	1
34	118685-02	Injector	*	*	*	*	*	*	*	1
	118685-03	Injector	*	*	*	*	*	*	*	1
35	100146-01	Female Elbow	*	*	*	*	*	*	*	1
36	119496-02	Shell (Black)	*	*	*	*	*	*	*	1
37	118471-01	End Cap	*	*	*	*	*	*	*	2
38	119459-01	Hold Down Bracket	*	*	*	*	*	*	*	4
39	119497-02	Combustion Chamber	*	*	*	*	*	*	*	1
40	118477-01	Steel Tube	*	*	*	*	*	*	*	4
41	118475-01	Cord Cleat	*	*	*	*	*	*	*	2
42	118478-01	Foot Leg	*	*	*	*	*	*	*	2
43	118474-01	Foot	*	*	*	*	*	*	*	1
44	119631-01	Nut	*	*	*	*	*	*	*	1
PARTS AVAILABLE - NOT SHOWN										
	M9900-199	Wire Assembly, Black	*	*	*	*	*	*	*	1
	M9900-200	Wire Assembly, White	*	*	*	*	*	*	*	1
	101480-14	Wire Assembly, Blue	*	*	*	*	*	*	*	1
	118774-01	Hose and Regulator Assembly	*	*	*	*	*	*	*	1
	118774-02	Hose and Regulator Assembly	*	*	*	*	*	*	*	1
	118687-01	Operation Decal	*	*	*	*	*	*	*	1
	118687-03	Operation Decal	*	*	*	*	*	*	*	1
	119144-02	Model Data Decal	*	*	*	*	*	*	*	1
	119144-03	Model Data Decal	*	*	*	*	*	*	*	1
	119146-01	Wiring Decal	*	*	*	*	*	*	*	1

ILLUSTRATED PARTS BREAKDOWN

170,000 BTU/HR MODELS TB103, TB108 AND TB113



PARTS LIST

170,000 BTU/HR MODELS

This list contains replaceable parts used in your heater. When ordering parts, follow the instructions listed under *Replacement Parts* on page 11 of this manual.

KEY NO.	PART NO.	DESCRIPTION				QTY.
			TB103	TB108	TB113	
1	118476-01	Handle	•	•	•	1
2	118770-01	Control Box	•	•	•	1
3	M11143-2	Strain Relief Bushing	•	•	•	1
4	098219-42	Power Supply Cord Assembly	•	•	•	1
5	118767-01	Fuel Tube	•	•	•	1
6	100146-01	Female Elbow	•	•	•	1
7	118685-04	Injector	•	•	•	1
8	M50114-02	Male Elbow	•	•	•	1
9	114159-04	Ball Valve Assembly	•	•	•	1
10	113810-01	Ball Valve Knob Insert	•	•	•	1
11	118773-02	Ball Valve Knob	•	•	•	1
12	098276-01	Plug	•	•	•	1
13	118768-01	Street Tee	•	•	•	1
14	098201-01	Solenoid Valve	•	•	•	1
15	097809-04	Male Fitting	•	•	•	1
16	078978-03	Sleeve Cap	•	•	•	1
17	118766-01	Solenoid Valve Bracket	•	•	•	1
18	113944-01	Thermostat Assembly	•	•	•	1
19	119401-01	Terminal Block	•	•	•	1
20	099123-01	Thermobulb Clip	•	•	•	1
21	M50104-02	Shorty Bushing	•	•	•	1
22	118473-01	Fan Guard	•	•	•	1
23	118482-01	Motor Mount	•	•	•	1
24	113941-02	Motor Assembly	•	•	•	1
25	113950-01	Fan	•	•	•	1
26	097805-03	Ignitor	•	•	•	1
27	097806-03	Ignitor Cable	•	•	•	1
28	101481-05	Thermal Limit Switch	•	•	•	1
29	098249-01	Nut	•	•	•	1
30	118497-01	Rear Plate	•	•	•	1
31	118765-02	Burner Assembly	•	•	•	1
32	119496-03	Shell (Black)	•	•	•	1
33	118471-01	End Cap	•	•	•	2
34	119459-01	Hold Down Bracket	•	•	•	4
35	119497-03	Combustion Chamber	•	•	•	1
36	118477-02	Steel Tube	•	•	•	4
37	110287-01	DSI Control	•	•	•	1
38	097776-01	Universal Bushing	•	•	•	1
39	113961-01	Thermostat Knob	•	•	•	1
40	118919-01	Heat Shield	•	•	•	1
41	118475-01	Cord Cleat	•	•	•	2
42	118478-02	Foot Leg	•	•	•	2
43	118474-01	Foot	•	•	•	1
44	119631-01	Nut	•	•	•	1
PARTS AVAILABLE - NOT SHOWN						
	M16841-80	Wire Assembly, White	•	•	•	1
	M9900-170	Wire Assembly, Black	•	•	•	1
	101480-15	Wire Assembly, Blue	•	•	•	1
	116774-03	Hose and Regulator Assembly	•	•	•	1
	118687-04	Operation Decal	•	•	•	1
	119144-04	Model Data Decal	•	•	•	1
	119146-02	Wiring Decal	•	•	•	1
	099504-08	Warning Decal	•	•	•	1
	110267-02	DSI Control Harness	•	•	•	1

WARRANTY AND REPAIR SERVICE

KEEP THIS WARRANTY

Model _____

Serial No. _____

Date of Purchase _____

LIMITED WARRANTIES FOR NEW AND FACTORY RECONDITIONED PRODUCTS

New Products: DESA Heating Products warrants this heater and any parts thereof, to be free of defects in materials and workmanship for one (1) year from the date of first purchase, when operated and maintained in accordance with the manufacturer's instructions. These warranties are extended only to the original retail purchaser, when proof of purchase is provided.

Factory Reconditioned Heaters: DESA Heating Products warrants this factory reconditioned heater and any parts thereof, to be free of defects in materials and workmanship for thirty (30) days from the date of first purchase, when operated and maintained in accordance with the manufacturer's instructions. These warranties are extended only to the original retail purchaser, when proof of purchase is provided.

These warranties cover only the cost of parts and labor required to restore the product to proper operating condition. Transportation and incidental costs associated with warranty repairs are not reimbursable under this warranty.

Warranty service is available only through authorized dealers and service centers.

This warranty does not cover defects resulting from misuse, abuse, negligence, accidents, lack of proper maintenance, normal wear, alteration, modification, tampering, contaminated fuels, repair using improper parts or repair by anyone other than an authorized dealer or service center. Routine maintenance is the responsibility of the owner.

THIS EXPRESS WARRANTY IS GIVEN IN LIEU OF ANY OTHER WARRANTY EITHER EXPRESSED OR IMPLIED, INCLUDING WARRANTIES OF MERCHANTABILITY AND FITNESS FOR A PARTICULAR PURPOSE.

DESA Heating Products assumes no responsibility for indirect, incidental or consequential damages. Some states do not allow the exclusion or limitation of incidental or consequential damages or limitations or exclusions may not apply to you. This limited warranty gives you specific legal rights and you may also have other rights which vary from state to state.

We reserve the right to amend these specifications at any time without notice. The only warranty applicable is our standard written warranty. We make no other warranty, expressed or implied.

WARRANTY SERVICE

Should your heater require service, return it to your nearest authorized service center. Proof of purchase must be presented with the heater. The heater will be inspected. A defect may be caused by faulty materials or workmanship. If so, DESA Heating Products will repair or replace the heater without charge.

REPAIR SERVICE

Return your heater to your nearest authorized service center. Repairs not covered by the warranty will be billed at standard prices. Each Service Center is independently owned and operated. We reserve the right to amend these specifications at any time without notice. When writing, always include model number and serial number. For information, write:

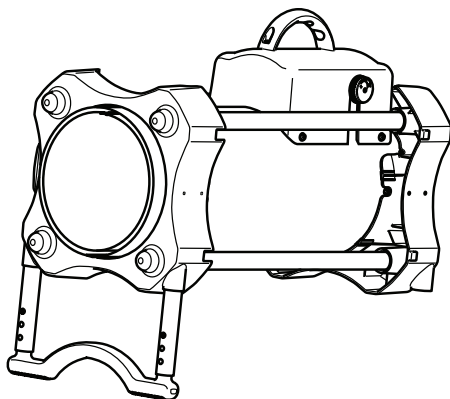
DESA[™]
INDOOR/OUTDOOR PRODUCTS
2701 Industrial Drive
P.O. Box 90004
Bowling Green, KY 42102-9004

DESA[™]
INDUSTRIES OF CANADA, INC.[™]
82 Akron Road
Toronto, Ontario
M8W 1T2

119143-01
Rev. A
06/06



**CALENTADOR DE AIRE FORZADO DE PROPANO O GAS LP
PARA CONSTRUCCIÓN
MANUAL DEL PROPIETARIO**



**MODELOS DE 55,000 BTU, TB100, TB104, TB106, TB110
MODELOS DE 85,000 BTU, TB102, TB111, TB114
125,000 BTU TB101, TB105, TB107, TB112
170,000 BTU TB103, TB108, TB113**

IMPORTANTE: lea y comprenda este manual antes de ensamblar, encender o dar servicio al calentador. El uso inadecuado del calentador puede causar lesiones graves. Conserve este manual para referencias futuras.

⚠ ADVERTENCIA GENERAL DE PELIGRO: el incumplimiento de las precauciones e instrucciones proporcionadas con este calentador puede causar la muerte, lesiones físicas graves y pérdidas o daños a la propiedad ocasionados por incendios, explosiones, quemaduras, asfixia, intoxicación con monóxido de carbono y/o electrocución.

Únicamente las personas que puedan entender y seguir las instrucciones deberán usar o dar servicio a este calentador.

Si necesita ayuda o información sobre el calentador, por ejemplo, un manual de instrucciones, etiquetas, etc., comuníquese con el fabricante.

**Guarde este manual para futuras referencias.
Para obtener mayor información, visite el sitio www.desatech.com**

TABLA DE CONTENIDO

Información de seguridad..... 2	Mantenimiento..... 7
Identificación del producto..... 3	Procedimientos de servicio..... 8
Desempaque..... 4	Especificaciones..... 9
Ensamble..... 4	Diagramas de cableado..... 10
Teoría de funcionamiento..... 4	Piezas de repuesto..... 11
Suministro de propano..... 5	Servicio técnico..... 11
Ventilación..... 5	Publicaciones de servicio..... 11
Instalación..... 5	Accesorios..... 11
Funcionamiento..... 6	Clasificación ilustrada de piezas y lista de piezas.... 12
Almacenamiento..... 7	Garantía y servicio de reparación..... 18

INFORMACIÓN DE SEGURIDAD

⚠️ ADVERTENCIA: este producto contiene y/o genera químicos reconocidos por el estado de California como causantes de cáncer o de defectos de nacimiento, u otros daños reproductivos.

⚠️ ADVERTENCIA: peligro de incendio, quemaduras, inhalación y explosión. Mantenga los combustibles sólidos, como materiales de construcción, papel o cartón, a una distancia segura del calentador según se recomienda en las instrucciones. Nunca use el calentador en áreas en las que hayan, o puedan haber, combustibles volátiles o que se acumulen en el aire, o bien, productos como gasolina, solventes, disolvente de pintura, partículas de polvo o químicos desconocidos.

⚠️ ADVERTENCIA: no se debe usar en residencias ni en vehículos recreativos.

El calentador fue diseñado y aprobado para su uso como calentador para construcción bajo la norma de calentadores para construcción ANSI Z83.7•CGA 2.14-2000. El propósito de los calentadores para construcción es proporcionar calefacción temporal a edificios en construcción, remodelación o reparación. Cuando se usa correctamente, el calentador proporciona calefacción económica y segura. Los productos de combustión se ventilan al área que se está calentando.

No podemos prever todos los usos que se les pueden dar a nuestros calentadores. **Consulte con la autoridad local de seguridad contra incendios en caso que tenga alguna pregunta acerca del uso de calentadores.**

Otras normas rigen el uso de gases combustibles y productos que producen calor para usos específicos. Las autoridades locales pueden informarle acerca de éstas.

Intoxicación con monóxido de carbono: el monóxido de carbono afecta más a unas personas que a otras. Los primeros signos de intoxicación con monóxido de carbono son semejantes a los de la gripe, con dolor de cabeza, mareo o náusea. Si usted presenta estos síntomas, es posible que el calentador no esté funcionando correctamente. **¡Respire aire fresco inmediatamente!** Haga que le den servicio al calentador.

Propano o gas LP: el propano o gas LP es inodoro. Al propano o gas LP se le agrega un agente que tiene olor. El olor le ayuda detectar las fugas de propano o gas LP. Sin embargo, el olor que se añade al propano o gas LP puede desvanecerse. Es posible que haya propano o gas LP en el entorno aunque no haya ningún olor.

Asegúrese de leer y comprender todas las advertencias. Conserve este manual como referencia. Es su guía para la operación segura y correcta de este calentador.

1. Instale y use el calentador con cuidado. Siga todas las ordenanzas y los códigos locales. A falta de reglamentos y códigos locales, consulte la *Norma de almacenamiento y manejo de gas licuado de petróleo, ANSI/NFPA 58* y el *Código para instalación de gas natural y propano, CSA B149.1*. Estos proporcionan instrucciones acerca del almacenamiento y manejo seguro del propano.
2. Use solamente el voltaje y la frecuencia especificados en la placa del modelo. Las conexiones eléctricas y de tierra del calentador deberán hacerse de acuerdo al *Código eléctrico nacional, ANSI/NFPA 70*, o al *Código eléctrico canadiense, parte 1*.
3. Instrucciones para la conexión eléctrica a tierra: este aparato está equipado con una clavija de tres patas (con conexión a tierra) para protegerlo contra descargas eléctricas, y se tiene que conectar directamente a un enchufe de pared o un cable de extensión de tres ranuras conectado a tierra correctamente.
4. Este producto ha sido aprobado para su uso en el estado de Massachusetts.
5. Para uso en interiores solamente. Proporcione una ventilación adecuada.

INFORMACIÓN DE SEGURIDAD *Continuación*

- Mantenga el calentador alejado de corrientes fuertes de aire, viento, rocío, lluvia y goteos de agua.
- Use solamente en áreas bien ventiladas. Antes de usar el calentador, debe existir una abertura de cuando menos 0.28 m cuadrados (3 pies cuadrados) para aire fresco del exterior por cada 105,500 kJ (100,000 BTU/h) de clasificación.
- No use el calentador en el exterior ni en viviendas habitadas.
- No use el calentador en salas o dormitorios.
- Mantenga el área en dónde se localiza el aparato despejada y libre de materiales combustibles, gasolina, disolvente de pintura y otros vapores y líquidos inflamables. El polvo es combustible. No use el calentador en áreas con alto contenido de polvo.
- Si este calentador está equipado con termostato. El calentador puede empezar a funcionar en cualquier momento.
- Antes de cada uso, verifique si el calentador ha sufrido algún daño. No use un calentador dañado.
- Use solamente el montaje de propano o gas LP para la extracción de vapores.
- Mantenga los tanques de propano por debajo de los 38 °C (100 °F).
- No use el calentador en un sótano ni debajo del nivel del suelo. El propano o gas LP es más pesado que el aire. Si se produce una fuga, el propano o gas LP se asentará en el nivel más bajo posible.
- Use sólo el regulador de fábrica y la manguera que se incluyen con el calentador.
- Revise la manguera antes de cada uso del calentador. Si la manguera está muy desgastada o con roturas, reemplácela con una manguera especificada por el fabricante antes de usar el calentador.
- No altere el calentador. Mantenga el calentador en su estado original.
- No use el calentador si éste ha sido alterado.
- Mantenga el calentador alejado de los tanques de propano o gas LP a una distancia de por lo menos 1.8 m (6 pies). No apunte el calentador a los tanques de propano o gas LP que se encuentren a menos de 6.1 m (20 pies).
- Distancias mínimas del calentador alejado de los combustibles: enchufe 2.4 m (8 pies), laterales 0.6 m (2 pies), parte superior 1.8 m (6 pies), parte posterior 0.6 m (2 pies).
- Sitúe el calentador en una superficie estable y nivelada si el calentador está caliente o en funcionamiento.
- Evite que los niños y los animales se acerquen al calentador.
- Cierre el suministro de propano o gas LP al calentador y desconéctelo cuando no se esté usando.
- Nunca bloquee la entrada de aire (parte posterior) ni la salida de aire caliente (parte anterior) del calentador.
- Nunca mueva, maneje ni repare un calentador en funcionamiento caliente o conectado.
- Nunca conecte conductos a la parte anterior o posterior del calentador.
- Use sólo piezas de repuesto originales. Este calentador debe usar piezas diseñadas específicamente. No las sustituya ni use piezas genéricas. El uso de piezas de repuesto inadecuadas puede ocasionar lesiones graves o fatales.
- No utilice este producto sin el conjunto del soporte y los laterales.

IDENTIFICACIÓN DEL PRODUCTO

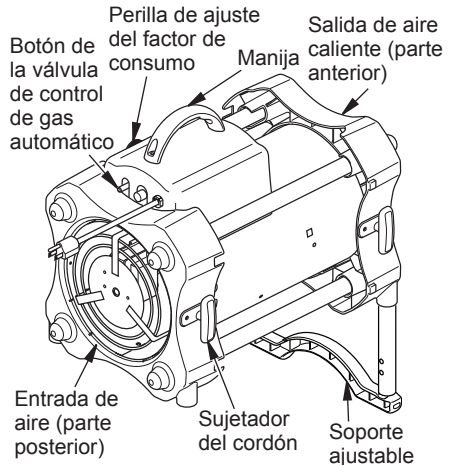


Figura 1 - Modelos de 55/85/125,000 BTU/h

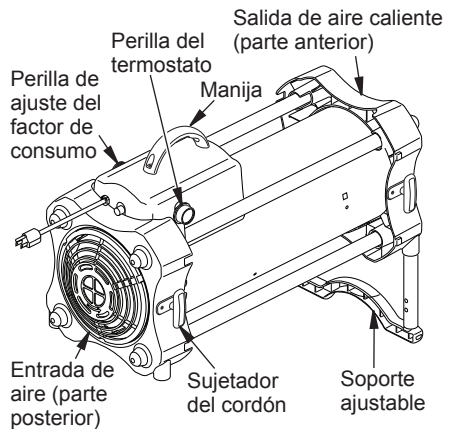


Figura 2 - Modelos de 170,000 BTU/h

DESEMPAQUE

1. Retire todos los materiales en los que se empacó el calentador para el envío. Conserve los tapones de plástico (colocados en el conector de entrada del calentador y en el conjunto de manguera y regulador) para propósitos de almacenamiento.
2. Saque todas las piezas de la caja.
3. Revise todas las piezas en busca de daños durante el transporte. Si el calentador está dañado, infórmelo de inmediato al distribuidor donde lo compró.

ENSAMBLE

IMPORTANTE: no utilice este producto sin el conjunto del soporte y los laterales.

Manija

Fije la manija a la caja de control con 2 tornillos (largos) como se muestra en la figura 3.

Soporte de plástico y extensiones laterales

1. Inserte las extensiones laterales en la tapa del extremo de salida hasta que el orificio pequeño se alinee con el orificio más grande, visible desde dentro de la tapa del extremo de salida (consulte la figura 3). Sujete las extensiones laterales con el tornillo provisto (cortos).

2. Inserte los extremos del soporte de plástico dentro de cada extensión lateral y ajuste el calentador al ángulo deseado. Los tornillos de los postes pequeños en el soporte de plástico entrarán a presión dentro de los orificios en las extensiones laterales.

Sujetador del cordón

Instale los sujetadores del cordón al lado de la tapas de los extremos como se muestra en la figura 3 con los tornillos cortos provistos.

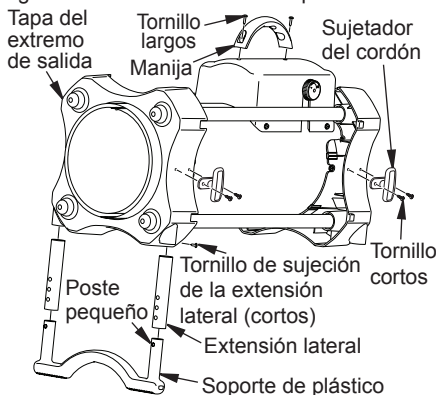


Figura 3 - Manija y conjunto del soporte

TEORÍA DE FUNCIONAMIENTO

El sistema de combustible: el conjunto de manguera y regulador se fija al suministro del gas propano. Para los modelos 55/85/125, el gas propano fluye a través de la válvula de control automático, la válvula de ajuste de factor de consumo y fuera del inyector. Para el modelo 170, el gas propano fluye a través de la válvula solenoide, la válvula de ajuste de factor de consumo y fuera del inyector.

El sistema de aire: el motor hace girar el ventilador. El ventilador empuja aire al interior y alrededor de la cámara de combustión. Este aire se calienta y proporciona una corriente de aire limpio y caliente.

El sistema de encendido: para los modelos 55/85/125 el encendedor de alto voltaje envía tensión al encendedor de chispa. Para el modelo 170 el encendedor de chispa directa envía tensión al encendedor de chispa. El encendedor de chispa hace que arda la mezcla de combustible y aire.

El sistema de control de seguridad: este sistema hace que el calentador se apague si la llama se apaga. El motor continuará funcionando pero no se producirá calor.

Encendedor de alto voltaje (en modelos 55/85/125) o encendedor de chispa directa DSI (en modelo 170)

Válvula de control automático (en modelos 55/85/125 solamente)

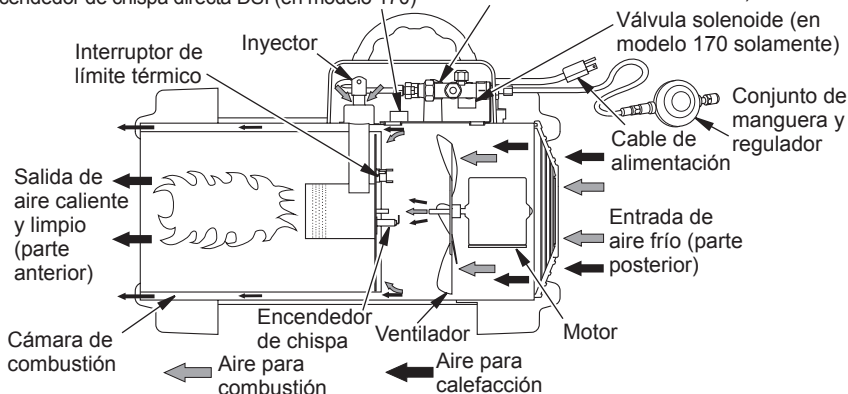


Figura 4 - Vista transversal de funcionamiento

SUMINISTRO DE PROPANO

El propano o gas LP y el o los tanques de propano o gas LP los debe proveer el usuario.

Use el calentador solamente con un sistema de suministro con extracción de vapores de propano o gas LP. Consulte el capítulo 5 de la *Norma para almacenamiento y manejo de gas licuado de petróleo, ANSI/NFPA 58* y el *Código para instalación de gas natural y de propano CSA B149.1*. La biblioteca local o el departamento de bomberos deben tener estos folletos.

La cantidad de propano o gas LP lista para usarse de los tanques de propano o gas LP varía. Dos factores determinan esta cantidad:

1. El volumen de gas propano en el o los tanques
2. La temperatura del o los tanques

La siguiente tabla muestra el número de tanques de 45 kg (100 libras) que se necesitan para hacer funcionar este calentador.

Temperatura en la ubicación del tanque	Número de tanques		
	Modelos 55	Modelos 85	Modelos 125/170
superior a -7 °C (20 °F)	1	1	2
-7 °C (20 °F) a -18C (-0 °F)	1	2	3

A temperaturas más bajas se vaporiza menos gas. Es posible que necesite un tanque más grande cuando el tiempo esté más frío. El surtidor de propano o gas LP de su localidad le ayudará a seleccionar el sistema de suministro apropiado.

VENTILACIÓN

ADVERTENCIA: siga los requisitos mínimos de ventilación con aire fresco del exterior. Si no proporciona ventilación de aire fresco del exterior podría haber intoxicación con monóxido de carbono. Proporcione una ventilación adecuada de aire fresco del exterior antes de encender el calentador.

Asegúrese de que exista una abertura de aire fresco del exterior de por lo menos 0.28 metros cuadrados (tres pies cuadrados) por cada 105,500 kJ (100,000 BTU/h) de clasificación. Proporcione aire fresco adicional si se utilizan más calentadores.

INSTALACIÓN

ADVERTENCIA: revise y entienda las advertencias en la sección *Información de seguridad*, en la página 2. Son necesarias para hacer funcionar este calentador de manera segura. Obedezca todos los códigos locales al utilizar este calentador.

ADVERTENCIA: pruebe todas las tuberías de gas y sus conexiones para saber si hay fugas después de la instalación o reparación. Nunca use una llama al descubierto para buscar fugas. Aplique una mezcla de jabón líquido y agua en todas las uniones. La formación de burbujas indicará una fuga. Repare todas las fugas inmediatamente.

1. Proporcione un sistema de suministro de propano o gas LP (consulte *Suministro de Propano o gas LP*).
2. Instale la conexión de rosca invertida en el conjunto de manguera y regulador al los tanques de propano o gas LP. Gire la conexión de rosca invertida en el sentido contrario al de las manecillas del reloj dentro de las roscas del tanque. Apriete firmemente usando una llave. **IMPORTANTE:** apriete el regulador con la ventila orientada hacia abajo. Orientando la ventila hacia abajo se protege el regulador de daños climáticos.
3. Conecte la manguera al conector de entrada del calentador. Apriete firmemente usando una llave.

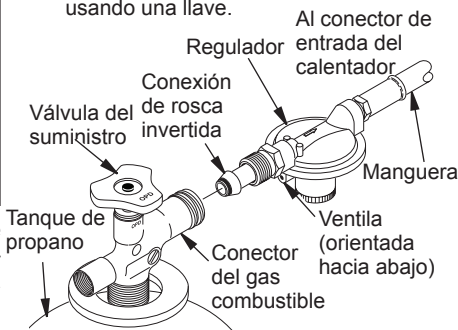


Figura 5 - Regulador externo con la ventila apuntando hacia abajo

INSTALACIÓN

Continuación

IMPORTANTE: es posible usar manguera o tubería adicionales si se requieren. Instale la manguera o tubería adicional entre el tanque de propano o gas LP y el regulador. Debe asegurarse de exista un mínimo de 172.4 kPa (25 psig) a la entrada del regulador. Debe usar el regulador que se incluye con el calentador.

4. Abra lentamente la válvula del suministro de los tanques de propano o gas LP. *Nota:* si no se abre lentamente, la válvula de exceso de flujo del tanque de propano o gas LP detendrá el flujo de gas. Si esto ocurre, es posible que se escuche un chasquido en el interior del ensamble del regulador. Para restablecer la válvula de exceso de flujo, cierre la válvula del suministro de propano o gas LP y ábrala de nuevo lentamente.
5. Revise todas las conexiones en busca de fugas.
6. Cierre la válvula del suministro de propano o gas LP.

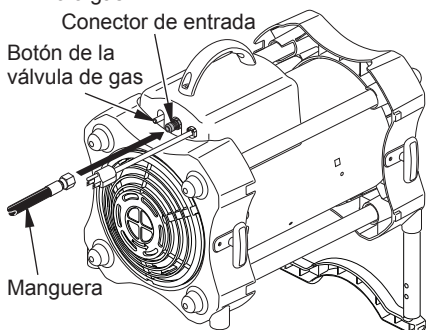


Figura 6 - Conector de entrada y manguera (el calentador puede ser diferente al mostrado en la ilustración)

FUNCIONAMIENTO

⚠ ADVERTENCIA: revise y entienda las advertencias en la sección **Información de seguridad**, en la página 2. Son necesarias para hacer funcionar este calentador de manera segura. Obedezca todos los códigos locales al utilizar este calentador.

PARA ENCENDER EL CALENTADOR

1. Siga toda la información de instalación, ventilación y seguridad.
2. Sitúe el calentador sobre una superficie estable y nivelada. Asegúrese de que no haya corrientes fuertes de aire entrando en la parte anterior o posterior del calentador.

3. Conecte el cable de alimentación del calentador a un cable de extensión con conexión a tierra de tres patas. El cable de extensión debe tener por lo menos 1.8 m (6 pies) de longitud. El cable de extensión debe estar aprobado por Underwriters Laboratories.

Requisitos de tamaño del cable de extensión
Hasta 15 m (50 pies) de longitud, use cable de calibre 18 AWG.

De 15.5 a 30.5 m (51 a 100 pies) de longitud, use cable de calibre 16 AWG.

De 30.78 a 61 m (101 a 200 pies) de longitud, use cable de calibre 14 AWG.

4. Conecte el cable de extensión a un enchufe con conexión a tierra de tres orificios de 120 V/60 Hz.
5. Abra lentamente la válvula del suministro de los tanques de propano o gas LP. *Nota:* si no se abre lentamente, la válvula de exceso de flujo del tanque de propano o gas LP detendrá el flujo de gas. Si esto ocurre, es posible que se escuche un chasquido en el interior del ensamble del regulador. Para restablecer la válvula de exceso de flujo, cierre la válvula del suministro de propano o gas LP y ábrala de nuevo lentamente.
6. Ajuste la perilla de control de BTU variable en sentido de las manecillas del reloj totalmente hasta la posición Bajo.

En modelos 55, 85, 125 solamente

7. Presione y mantenga presionado el botón de la válvula de gas. El calentador se debe encender en unos cuantos segundos.

Nota: si el calentador no se enciende, es posible que la manguera tenga aire en el interior. Si es así, mantenga presionado el botón de la válvula de gas y espere 20 segundos. Suelte el botón de la válvula de gas y espere 20 segundos para que el combustible que no se quemó salga del calentador. Repita el paso 6.

8. Una vez que el calentador se encienda, espere 30 segundos. Esto activará el sistema de control automático. Suelte el botón de la válvula de control de gas.

En modelo 170 solamente

9. Ajuste el termostato a la posición deseada. Si el calentador no enciende, es posible que el termostato tenga seleccionado un valor muy bajo. Gire la perilla del termostato hacia el valor más alto para encender el calentador. *Nota:* si el calentador no enciende, desconecte el calentador. Espere diez segundos para que el control

FUNCIONAMIENTO

Continuación

de seguridad se restablezca, conecte el calentador e intente nuevamente.

Todos los modelos

10. Cuando el quemador permanezca encendido, ajuste el calentador al nivel de temperatura deseada girando la perilla de control de BTU variable en sentido contrario al de las manecillas del reloj. Si el quemador se apaga, cierre el gas. Gire la perilla de BTU variable completamente en el sentido de las manecillas del reloj hasta la posición más baja. Revise el suministro de combustible. Si dispone del combustible adecuado, vuelva encender el calentador comenzando con el paso 1.

PARA APAGAR EL CALENTADOR

1. Cierre firmemente la válvula del suministro de propano en los tanques de propano o gas LP.
2. Espere unos cuantos segundos. El calentador quemará el gas remanente en las mangueras de suministro.
3. Desenchufe el calentador.

PARA VOLVER A ENCENDER EL CALENTADOR

Si el control de seguridad detiene el flujo de gas al calentador, el motor continuará funcionando.


1. Desenchufe el calentador.
2. Espere diez segundos. Conecte el calentador.

Si el calentador no se vuelve a encender

- A. Verifique las válvulas de suministro (en el tanque de propano o gas LP). Asegúrese de que estén abiertas.
- B. Revise el nivel de combustible de los tanques de propano o gas LP. Si el nivel de combustible es muy bajo, póngase en contacto con su proveedor local de propano o gas LP.


Si el calentador sigue sin encender, póngase en contacto con su centro local de servicio.

ALMACENAMIENTO

 **PRECAUCIÓN: desconecte el calentador del(de los) tanque(s) de suministro de propano.**

1. Guarde los tanques de propano o gas LP de forma segura. Consulte el capítulo 5 de la *Norma para almacenamiento y manejo de gas licuado de petróleo, ANSI/NFPA 58* y el *Código para instalación de gas natural y de propano CSA B149.1*. Siga todos los códigos locales.
2. Coloque tapones de plástico sobre las conexiones de latón en el conector de entrada del calentador y en el conjunto de manguera y regulador.
3. Guárdelo en un lugar seco, limpio y seguro. No guarde el conjunto de manguera y regulador en el interior de la cámara de combustión del calentador.
4. Siempre revise el interior del calentador cuando lo saque del lugar de almacenamiento. Los insectos y animales pequeños pueden haber introducido cuerpos extraños en el calentador. Mantenga el interior del calentador libre de objetos combustibles y ajenos.

MANTENIMIENTO

 **ADVERTENCIA: nunca intente reparar un calentador mientras esté enchufado, conectado al suministro de propano, esté funcionando o esté caliente. Pueden ocurrir quemaduras graves y electrocución.**

1. Mantenga el calentador limpio. Limpie el calentador anualmente o según sea necesario para retirar el polvo y los residuos. Si el calentador está sucio o con polvo, límpielo con un paño húmedo.
2. Inspeccione al calentador antes de cada uso. Revise las conexiones en busca de fugas. Aplique una mezcla de jabón líquido y agua en todas las conexiones. La formación de burbujas indicará una fuga. Repare todas las fugas inmediatamente.
3. Inspeccione el conjunto de manguera y regulador antes de cada uso. Si la manguera está muy desgastada o con roturas, reemplácela.
4. Haga que una agencia de servicio calificada inspeccione el calentador anualmente.
5. Mantenga el interior del calentador libre de objetos combustibles y ajenos.

PROCEDIMIENTOS DE SERVICIO

⚠ ADVERTENCIA: nunca intente reparar un calentador mientras esté enchufado, conectado al suministro de propano, esté funcionando o esté caliente. Pueden producirse quemaduras graves y electrocución.

LIMPIEZA DEL VENTILADOR

Limpie el ventilador cada 500 horas de funcionamiento o según sea necesario.

1. Retire los tornillos de la cubierta superior utilizando una llave para tuercas de 5/16" o un destornillador Phillips (punta de cruz).
2. Retire la cubierta superior.
3. Desconecte los 2 cables negros del motor del bloque de terminales debajo de la cubierta superior. Asegúrese de desconectar sólo los cables que provienen del motor.
4. Retire el resguardo del ventilador de la parte posterior del calentador. El resguardo del ventilador sale a presión de la cubierta.
5. Acceda al interior de la parte posterior de la cubierta del calentador. Cuidadosamente, tire de los cables del motor a través del orificio en el soporte. *Nota:* tire de los cables a través del orificio, uno a la vez.
6. Quite los tornillos que sujetan el montaje del motor a la cubierta. Use un destornillador Phillips (punta de cruz) o llave para tuercas de 5/16".
7. Cuidadosamente, jale el motor y el ventilador hacia afuera de la cubierta. **IMPORTANTE:** tenga cuidado para no dañar el ventilador. No coloque el motor y el ventilador en el suelo con el peso descansando en el ventilador. Esto podría dañar la inclinación del ventilador.
8. Gire el motor y el ventilador. Coloque el motor y ventilador dentro de la cubierta al revés. *Nota:* el motor debe entrar primero a la cubierta (consulte la figura 8).
9. Alinee los orificios de montaje de la parte posterior de la cubierta con los primeros orificios de cada lado del montaje del motor (consulte la figura 8). *Nota:* cuando los orificios estén alineados, el ventilador deberá estar fuera de la cubierta.
10. Mientras sujeta los tornillos de montaje, acceda cuidadosamente a la parte posterior del calentador a través de las aspas del ventilador. Tenga cuidado de no dañar la inclinación del ventilador. Inserte el tornillo a través del montaje del motor y la cubierta.

Con la otra mano, fije el tornillo apretándolo con los dedos. Repita el proceso para el otro orificio de montaje.

11. Use una llave hexagonal de 1/8" para aflojar el tornillo de fijación que sujeta el ventilador al eje del motor (consulte la figura 9, en la página 9).
12. Saque el ventilador del eje del motor.

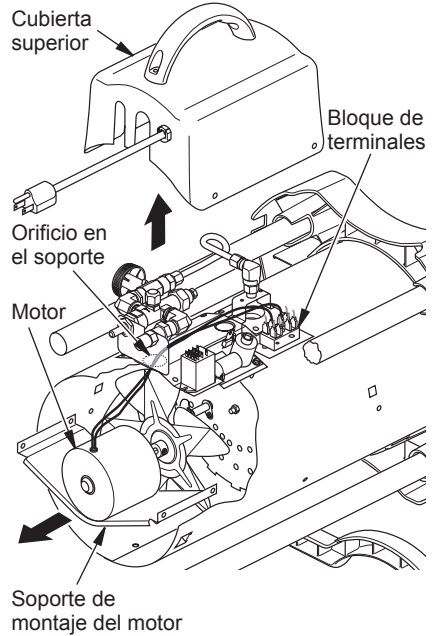


Figura 7 - Desmontaje del ventilador y motor

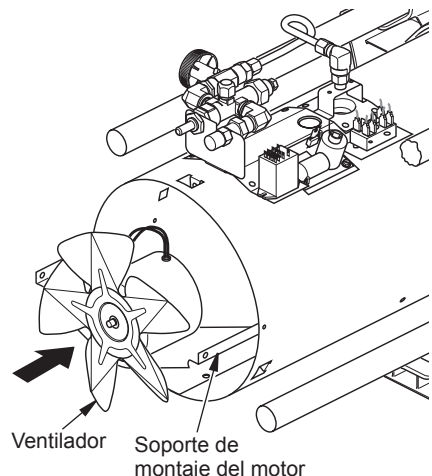


Figura 8 - Ventilador y motor al revés para limpieza

PROCEDIMIENTOS DE SERVICIO *Continuación*

13. Limpie el ventilador utilizando un trapo suave humedecido con solvente para limpieza.
14. Seque completamente el ventilador.
15. Vuelva colocar el ventilador en el eje del motor. Coloque el tornillo de fijación en la parte plana del eje. Consulte la tabla en la figura 10 para obtener la distancia al centro del ventilador desde el extremo del eje del motor. Apriete el tornillo de fijación firmemente de 0.46 a 0.58 kgf-m (40 a 50 pulgadas-libra).
16. Quite los tornillos que sujetan el montaje del motor a la cubierta.
17. Tire del motor y ventilador para quitarlos de la cubierta. Gire el motor y el ventilador. Vuelva colocarlos cuidadosamente en la cubierta. *Nota:* el ventilador debe entrar primero a la cubierta.
18. Alinee los orificios de montaje de la cubierta con los orificios de montaje del motor. Vuelva a colocar 4 tornillos a través de la cubierta y montaje del motor.
19. Pase los cables del motor a través del orificio en la parte inferior de la cubierta (consulte la figura 7, en la página 8).

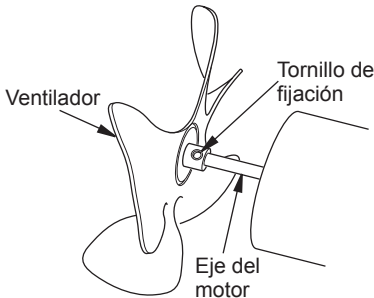


Figura 9 - Identificación del ventilador, eje del motor y tornillo de fijación

Modelo	Distancia A
55	4.8 mm (0.19")
85	0.5" (12.7 mm)* o 0.9" (22.9 mm)*
125	0.5" (12.7 mm)* o 0.9" (22.9 mm)*
170	6.4 mm (0.25")

* Dependier de eje del motor

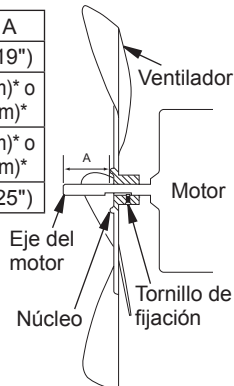


Figura 10 - Sección transversal del ventilador

20. Vuelva a conectar los cables a los mismos postes en el bloque de terminales como fueron desconectados en el paso 3, en la página 8 (consulte la figura 7, en la página 8).
21. Vuelva a colocar la cubierta superior.
22. Vuelva colocar el resguardo del ventilador.

ESPECIFICACIONES

Todos los modelos

- Propano o gas LP
- Presión del suministro de gas al regulador: Máx: presión de botella, mín: 172.4 kPa (25 psig)
- Presión del suministro de gas a la salida del regulador: 137.9 kPa (20 psig)
- Electricidad de entrada: 120V, 60 Hz, 1Ø, 3a
- Encendido de chispa directa
- Clasificación de temperatura ambiente mínima: -17.8 °C (0 °F)

Modelos de 55,000 BTU/h

- 8.8 - 16.1 kW (30 - 55,000 BTU/h)
- Consumo de combustible: 0.70 - 1.28 kg/h (1.4 - 2.6 libras/h)
- Control principal de la llama: Válvula de gas operada con termopar
- Salida de aire caliente: 8.49 m³/min (300 CFM)

Modelos de 85,000 BTU/h

- 14.6 - 25.0 kW (50 - 85,000 BTU/h)
- Consumo de combustible: 1.04 - 1.77 kg/h (2.3 - 3.9 libras/h)
- Control principal de la llama: Válvula de gas operada con termopar
- Salida de aire caliente: 9.91 m³/min (350 CFM)

Modelos de 125,000 BTU/h

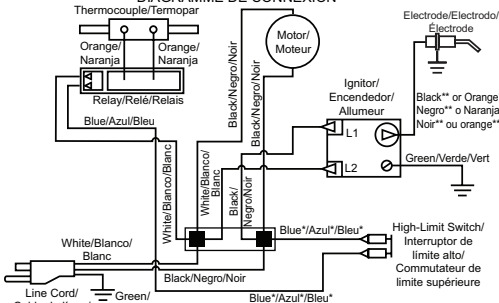
- 21.9 - 36.6 kW (75 - 125,000 BTU/h)
- Consumo de combustible: 1.59 - 2.63 kg/h (3.5 - 5.8 libras/h)
- Control principal de la llama: Válvula de gas operada con termopar
- Salida de aire caliente: 9.91 m³/min (350 CFM)

Modelos de 170,000 BTU/h

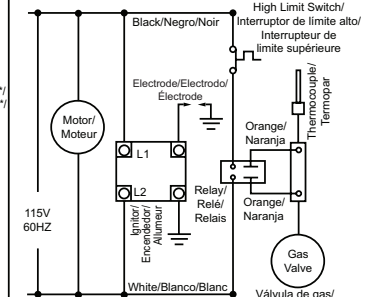
- 36.6 - 49.8 kW (125 - 170,000 BTU/h)
- Consumo de combustible: 2.63 - 3.6 kg/h (5.8 - 7.9 libras/h)
- Control principal de la llama: Rectificación de flama del encendedor de chispa directa DSI
- Salida de aire caliente: 12.74 m³/min (450 CFM)

DIAGRAMAS DE CABLEADO

CONNECTION DIAGRAM/DIAGRAMA DE CONEXIONES/
DIAGRAMME DE CONNEXION



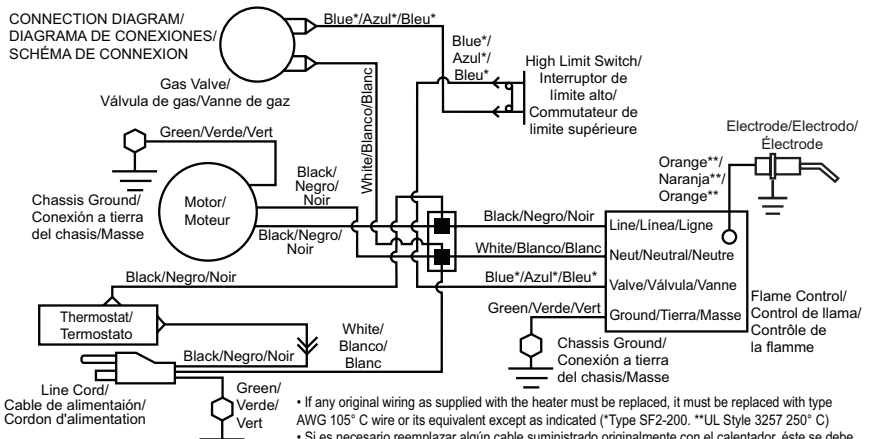
SCHEMATIC DIAGRAM/DIAGRAMA ESQUEMÁTICO/
DIAGRAMME DE CIRCUIT



- If any original wiring as supplied with the heater must be replaced, it must be replaced with type AWG 105° C wire or its equivalent except as indicated (*Type SF2-200. **UL Style 3257 250° C)
- Si es necesario reemplazar algún cable suministrado originalmente con el calentador, éste se debe reemplazar con cable tipo AWG 105° C o su equivalente, excepto cuando se indica lo contrario (*Tipo SF2-200. **UL Style 3257 250° C)
- * Si le câblage fourni avec l'appareil de chauffage doit être remplacé, faites-le avec du câble de type AWG 105° C ou son équivalent, sauf indication contraire (*Type SF2-200. **UL Style 3257 250° C)

Modelos de 55,000, 85,000 y 125,000 BTU/h


CONNECTION DIAGRAM/
DIAGRAMA DE CONEXIONES/
SCHEMA DE CONNEXION



- If any original wiring as supplied with the heater must be replaced, it must be replaced with type AWG 105° C wire or its equivalent except as indicated (*Type SF2-200. **UL Style 3257 250° C)
- Si es necesario reemplazar algún cable suministrado originalmente con el calentador, éste se debe reemplazar con cable tipo AWG 105° C o su equivalente, excepto cuando se indica lo contrario (*Tipo SF2-200. **UL Style 3257 250° C)
- Si le câblage original fourni avec l'appareil de chauffage doit être remplacé, faites-le avec du câble de type AWG 105° C ou son équivalent, sauf indication contraire (*Type SF2-200. **UL Style 3257 250° C)

Modelos de 170,000 BTU/h

PIEZAS DE REPUESTO

 **ADVERTENCIA:** use sólo piezas de repuesto originales. Este calentador debe usar piezas diseñadas específicamente. No las sustituya ni use piezas genéricas. El uso de piezas de repuesto inadecuadas puede ocasionar lesiones graves o fatales. Esto también protegerá la cobertura de su garantía para piezas reemplazadas bajo garantía.

PIEZAS CON GARANTÍA

Comuníquese con los distribuidores autorizados de este producto. Si ellos no pueden suministrar las piezas de repuesto originales, comuníquese con la central de piezas más cercana o llame al Departamento de servicio técnico de DESA Heating Products al 1-866-672-6040. Cuando llame a DESA Heating Products, tenga listo:

- su nombre
- su dirección
- los números de modelo y de serie de su calentador
- la falla del calentador
- la fecha de compra

En la mayoría de los casos, le pediremos que devuelva la pieza a la fábrica.

PIEZAS SIN GARANTÍA

Comuníquese con los distribuidores autorizados de este producto. Si ellos no pueden suministrar piezas de repuesto originales, comuníquese con la central de piezas más cercana o llame a DESA Heating Products al 1-866-672-6040 para obtener información de referencias. Cuando llame a DESA Heating Products, tenga listo:

- el número del modelo de su calentador
- el número de la pieza de repuesto

SERVICIO TÉCNICO

Es posible que tenga más preguntas acerca de este calentador. Si es así, comuníquese con el Departamento de servicio técnico de DESA Heating Products al 1-866-672-6040. Al llamar tenga a la mano los números de modelo y serie de su calentador.

También puede visitar el sitio web de servicio técnico de DESA Heating Products en www.desatech.com.

PUBLICACIONES DE SERVICIO

Puede comprar un manual de servicio por \$5. Escriba el cheque a nombre de DESA Heating Products. Envíe su orden a DESA Heating Products (dirección al reverso de la página). Asegúrese de incluir el número de modelo del calentador.

ACCESORIOS

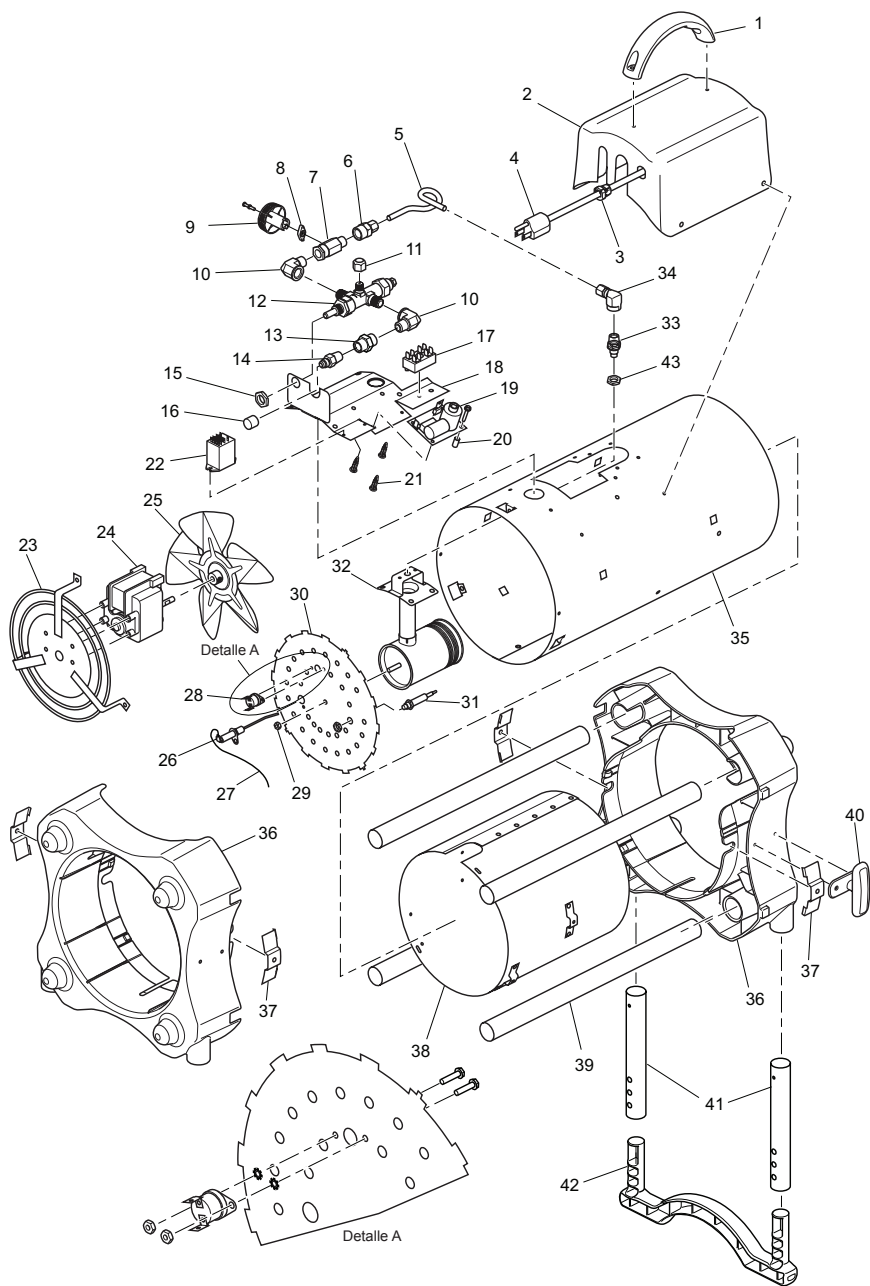
Adquiera accesorios y piezas con su distribuidor o centro de servicio más cercano. Si ellos no pueden suministrar un accesorio o pieza de repuesto original, comuníquese con la Central de piezas más cercana listada en el folleto de Centros de servicio autorizados provisto por separado, o bien, llame a DESA Heating Products al 1-866-672-6040. También puede escribir a la dirección que se encuentra en la última página de este manual.

Conexión de combustible de gas: LPA4020

Adaptador de rosca invertida con válvula de exceso de flujo.

CLASIFICACIÓN ILUSTRADA DE PIEZAS

MODELOS DE 55,000 BTU/H, TB100, TB104, TB106 Y TB110



LISTA DE PIEZAS

MODELOS DE 55,000 BTU/H

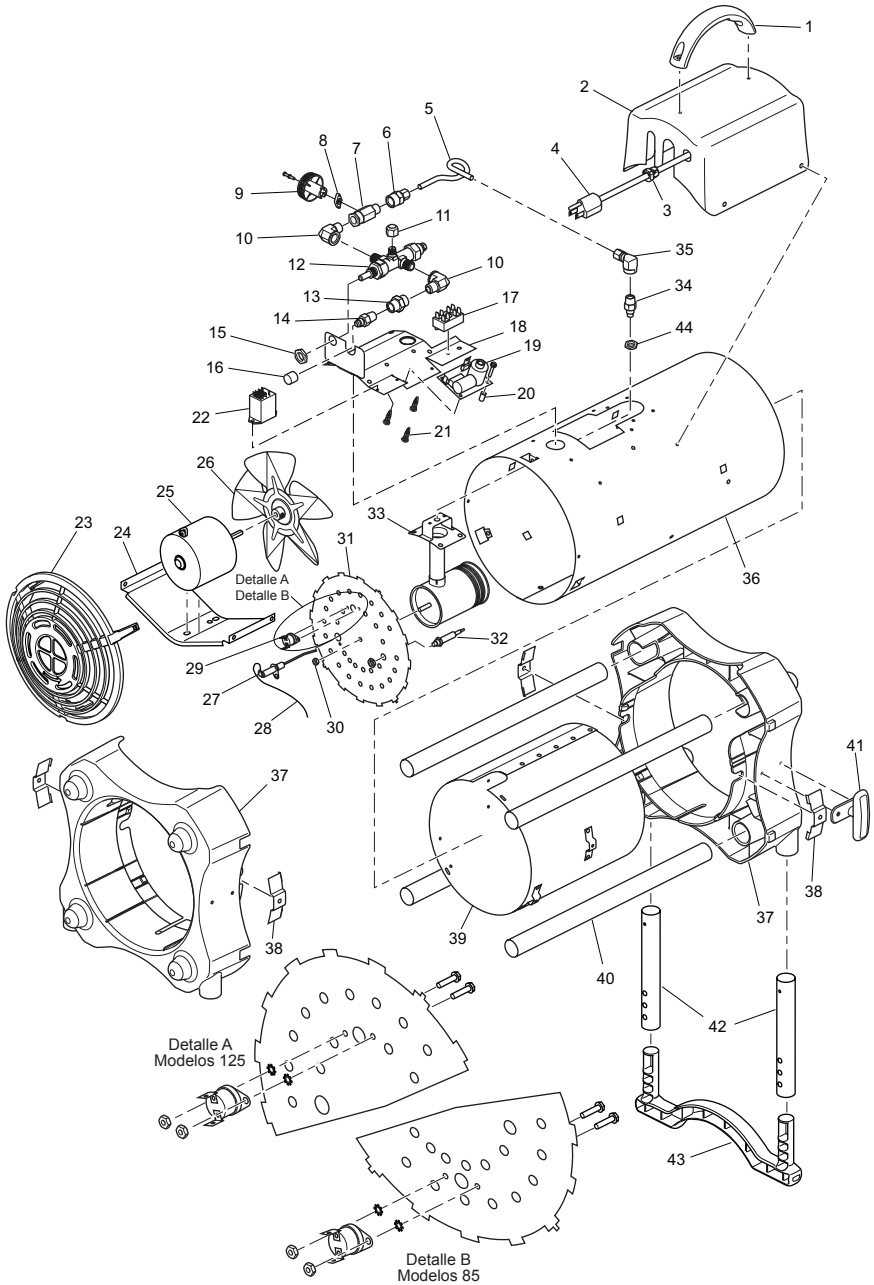
Esta lista contiene las piezas reemplazables utilizadas en el calentador. Al hacer un pedido de piezas, siga las instrucciones enumeradas en *Piezas de repuesto* en la página 11 de este manual.

N°	N° DE PARTE	DESCRIPCIÓN					CANT.
			TB100	TB104	TB106	TB110	
1	118476-01	Manija	*	*	*	*	1
2	118472-01	Caja de control	*	*	*	*	1
3	M11143-2	Buje para atenuar deformaciones	*	*	*	*	1
4	098219-42	Conjunto de cables de la fuente de alimentación	*	*	*	*	1
5	100145-03	Tubo de combustible	*	*	*	*	1
6	118796-01	Conexión de compresión hembra	*	*	*	*	1
7	114159-05	Conjunto de válvula de bola	*	*	*	*	1
8	113810-01	Acoplamiento de la perilla de la válvula de bola	*	*	*	*	1
9	118773-01	Perilla de la válvula de bola	*	*	*	*	1
10	113870-01	Conexión de codo	*	*	*	*	2
11	116981-01	Tapón de conexión hembra	*	*	*	*	1
12	097155-01	Válvula de control	*	*	*	*	1
13	113869-01	Conexión de acoplamiento	*	*	*	*	1
14	097809-04	Conexión macho	*	*	*	*	1
15	113794-01	Tuerca de la válvula	*	*	*	*	1
16	078978-03	Casquillo tapón	*	*	*	*	1
17	119401-01	Bloque de terminales	*	*	*	*	1
18	118506-01	Protector de calor	*	*	*	*	1
19	113867-01	Encendedor miniatura Alto-Bajo	*	*	*	*	1
20	114150-01	Españador de acero	*	*	*	*	1
21	118802-01	Soporte de placa de circuito impreso	*	*	*	*	3
22	113875-02	Conjunto de relé	*	*	*	*	1
23	118780-01	Conjunto de parrilla del motor	*	*	*	*	1
24	113880-02	Conjunto de motor	*	*	*	*	1
25	113881-01	Ventilador	*	*	*	*	1
26	097805-04	Encendedor	*	*	*	*	1
27	097806-03	Cable del encendedor	*	*	*	*	1
28	101481-12	Interruptor de límite térmico	*	*	*	*	1
29	098249-01	Tuerca	*	*	*	*	1
30	118497-02	Placa posterior	*	*	*	*	1
31	104146-05	Termopar	*	*	*	*	1
32	118514-01	Conjunto de quemador	*	*	*	*	1
33	118685-01	Inyector	*	*	*	*	1
34	100146-01	Codo hembra	*	*	*	*	1
35	119496-01	Cubierta (Negra)	*	*	*	*	1
36	118471-01	Tapa del extremo	*	*	*	*	2
37	119459-01	Soporte a presión	*	*	*	*	4
38	119497-01	Cámara de combustión	*	*	*	*	1
39	118477-03	Tubo de acero	*	*	*	*	4
40	118475-01	Sujetador del cordón	*	*	*	*	2
41	118478-03	Lateral del soporte	*	*	*	*	2
42	118474-01	Soporte	*	*	*	*	1
43	119631-01	Tuerca	*	*	*	*	1
PIEZAS DISPONIBLES - (NO SE MUESTRAN)							
	M9900-199	Conjunto de cables, negro	*	*	*	*	1
	M9900-200	Conjunto de cables, blanco	*	*	*	*	1
	101480-14	Conjunto de cables, azul	*	*	*	*	1
	118774-04	Conjunto de manguera y regulador	*	*	*	*	1
	118687-01	Etiqueta adhesiva de funcionamiento	*	*	*	*	1
	118687-03	Etiqueta adhesiva de funcionamiento	*	*	*	*	1
	119144-01	Etiqueta adhesiva con datos del modelo	*	*	*	*	1
	119146-01	Etiqueta adhesiva de cableado	*	*	*	*	1

CLASIFICACIÓN ILUSTRADA DE PIEZAS

MODELOS DE 85,000 BTU/H, TB102, TB111 Y TB114

MODELOS DE 125,000 BTU/H, TB101, TB105, TB107 Y TB112



LISTA DE PIEZAS

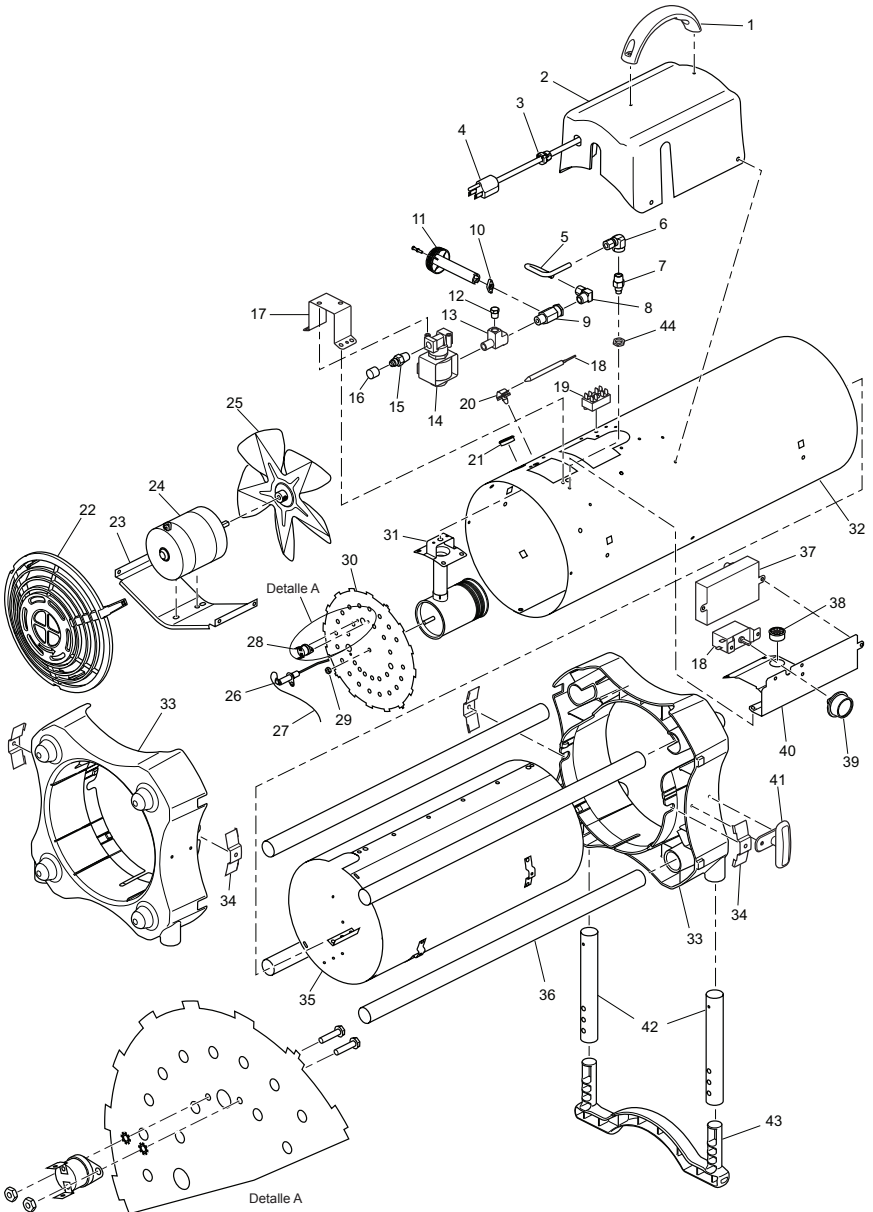
MODELOS DE 85,000 Y 125,000 BTU/H

Esta lista contiene las piezas reemplazables utilizadas en el calentador. Al hacer un pedido de piezas, siga las instrucciones enumeradas en *Piezas de repuesto* en la página 11 de este manual.

N°	N° DE PARTE	DESCRIPCIÓN	TB102	TB111	TB114	TB101	TB105	TB107	TB112	CANT.
1	118476-01	Manija	*	*	*	*	*	*	*	1
2	118472-01	Caja de control	*	*	*	*	*	*	*	1
3	M11143-2	Buje para atenuar deformaciones	*	*	*	*	*	*	*	1
4	098219-42	Conjunto de cables de la fuente de alimentación	*	*	*	*	*	*	*	1
5	100145-03	Tubo de combustible	*	*	*	*	*	*	*	1
6	118796-01	Conexión de compresión hembra	*	*	*	*	*	*	*	1
7	114159-05	Conjunto de válvula de bola	*	*	*	*	*	*	*	1
	114159-03	Conjunto de válvula de bola	*	*	*	*	*	*	*	1
8	113810-01	Acoplamiento de la perilla de la válvula de bola	*	*	*	*	*	*	*	1
9	118773-01	Perilla de la válvula de bola	*	*	*	*	*	*	*	1
10	113870-01	Conexión de codo	*	*	*	*	*	*	*	2
11	116981-01	Tapón de conexión hembra	*	*	*	*	*	*	*	1
12	097155-01	Válvula de control	*	*	*	*	*	*	*	1
13	113869-01	Conexión de acoplamiento	*	*	*	*	*	*	*	1
14	097809-04	Conexión macho	*	*	*	*	*	*	*	1
15	113794-01	Tuerca de la válvula	*	*	*	*	*	*	*	1
16	078978-03	Tapón del casquillo	*	*	*	*	*	*	*	1
17	119401-01	Bloque de terminales	*	*	*	*	*	*	*	1
18	118506-01	Protector de calor	*	*	*	*	*	*	*	1
19	113867-01	Encendedor miniatura Alto-Bajo	*	*	*	*	*	*	*	1
20	114150-01	Espaciador de acero	*	*	*	*	*	*	*	1
21	118802-01	Soporte de placa de circuito impreso	*	*	*	*	*	*	*	3
22	113875-02	Conjunto de relé	*	*	*	*	*	*	*	1
23	118473-01	Resguardo del ventilador	*	*	*	*	*	*	*	1
24	118482-01	Montaje del motor	*	*	*	*	*	*	*	1
25	113860-02	Conjunto de motor	*	*	*	*	*	*	*	1
26	113881-01	Ventilador de 17.8 cm (7")	*	*	*	*	*	*	*	1
	114160-01	Ventilador de 20.3 cm (8")	*	*	*	*	*	*	*	1
27	097805-03	Encendedor	*	*	*	*	*	*	*	1
	097805-04	Encendedor	*	*	*	*	*	*	*	1
28	097806-03	Cable del encendedor	*	*	*	*	*	*	*	1
29	101481-04	Interruptor de límite térmico	*	*	*	*	*	*	*	1
	101481-13	Interruptor de límite térmico	*	*	*	*	*	*	*	1
30	098249-01	Tuerca	*	*	*	*	*	*	*	1
31	118497-01	Placa posterior	*	*	*	*	*	*	*	1
	118497-03	Placa posterior	*	*	*	*	*	*	*	1
32	104146-05	Termopar	*	*	*	*	*	*	*	1
33	118514-01	Conjunto de quemador	*	*	*	*	*	*	*	1
	118765-02	Conjunto de quemador	*	*	*	*	*	*	*	1
34	118685-02	Inyector	*	*	*	*	*	*	*	1
	118685-03	Inyector	*	*	*	*	*	*	*	1
35	100146-01	Codo hembra	*	*	*	*	*	*	*	1
36	119496-02	Cubierta (Negra)	*	*	*	*	*	*	*	1
37	118471-01	Tapa del extremo	*	*	*	*	*	*	*	2
38	119459-01	Soporte a presión	*	*	*	*	*	*	*	4
39	119497-02	Cámara de combustión	*	*	*	*	*	*	*	1
40	118477-01	Tubo de acero	*	*	*	*	*	*	*	4
41	118475-01	Sujetador del cordón	*	*	*	*	*	*	*	2
42	118478-01	Lateral del soporte	*	*	*	*	*	*	*	2
43	118474-01	Soporte	*	*	*	*	*	*	*	1
44	119631-01	Tuerca	*	*	*	*	*	*	*	1
PIEZAS DISPONIBLES - (NO SE MUESTRAN)										
	M9900-199	Conjunto de cables, negro	*	*	*	*	*	*	*	1
	M9900-200	Conjunto de cables, blanco	*	*	*	*	*	*	*	1
	101480-14	Conjunto de cables, azul	*	*	*	*	*	*	*	1
	118774-01	Conjunto de manguera y regulador	*	*	*	*	*	*	*	1
	118774-02	Conjunto de manguera y regulador	*	*	*	*	*	*	*	1
	118687-01	Etiqueta adhesiva de funcionamiento	*	*	*	*	*	*	*	1
	118687-03	Etiqueta adhesiva de funcionamiento	*	*	*	*	*	*	*	1
	119144-02	Etiqueta adhesiva con datos del modelo	*	*	*	*	*	*	*	1
	119144-03	Etiqueta adhesiva con datos del modelo	*	*	*	*	*	*	*	1
	119146-01	Etiqueta adhesiva de cableado	*	*	*	*	*	*	*	1

CLASIFICACIÓN ILUSTRADA DE PIEZAS

MODELOS DE 170,000 BTU/H, TB103, TB108 Y TB113



LISTA DE PIEZAS

MODELOS DE 170,000 BTU/H

Esta lista contiene las piezas reemplazables utilizadas en el calentador. Al hacer un pedido de piezas, siga las instrucciones enumeradas en *Piezas de repuesto* en la página 11 de este manual.

N°	N° DE PARTE	DESCRIPCIÓN	TB103	TB108	TB113	CANT.
1	118476-01	Manija	•	•	•	1
2	118770-01	Caja de control	•	•	•	1
3	M11143-2	Buje para atenuar deformaciones	•	•	•	1
4	098219-42	Conjunto de cables de la fuente de alimentación	•	•	•	1
5	118767-01	Tubo de combustible	•	•	•	1
6	100146-01	Codo hembra	•	•	•	1
7	118685-04	Inyector	•	•	•	1
8	M50114-02	Codo macho	•	•	•	1
9	114159-04	Conjunto de válvula de bola	•	•	•	1
10	113810-01	Acoplamiento de la perilla de la válvula de bola	•	•	•	1
11	118773-02	Perilla de la válvula de bola	•	•	•	1
12	098276-01	Tapón	•	•	•	1
13	118768-01	Conector en T	•	•	•	1
14	098201-01	Válvula de solenoide	•	•	•	1
15	097809-04	Conexión macho	•	•	•	1
16	078978-03	Tapón del casquillo	•	•	•	1
17	118766-01	Soporte de la válvula solenoide	•	•	•	1
18	113944-01	Conjunto de termostato	•	•	•	1
19	119401-01	Bloque de terminales	•	•	•	1
20	099123-01	Clip del bulbo térmico	•	•	•	1
21	M50104-02	Buje corto	•	•	•	1
22	118473-01	Resguardo del ventilador	•	•	•	1
23	118482-01	Montaje del motor	•	•	•	1
24	113941-02	Conjunto de motor	•	•	•	1
25	113950-01	Ventilador	•	•	•	1
26	097805-03	Encendedor	•	•	•	1
27	097806-03	Cable del encendedor	•	•	•	1
28	101481-05	Interruptor de límite térmico	•	•	•	1
29	098249-01	Tuerca	•	•	•	1
30	118497-01	Placa posterior	•	•	•	1
31	118765-02	Conjunto de quemador	•	•	•	1
32	119496-03	Cubierta (Negra)	•	•	•	1
33	118471-01	Tapa del extremo	•	•	•	2
34	119459-01	Soporte a presión	•	•	•	4
35	119497-03	Cámara de combustión	•	•	•	1
36	118477-02	Tubo de acero	•	•	•	4
37	110287-01	Control de DSI	•	•	•	1
38	097776-01	Buje universal	•	•	•	1
39	113961-01	Perilla del termostato	•	•	•	1
40	118919-01	Protector de calor	•	•	•	1
41	118475-01	Sujetador del cordón	•	•	•	2
42	118478-02	Lateral del soporte	•	•	•	2
43	118474-01	Soporte	•	•	•	1
44	119631-01	Tuerca	•	•	•	1
PIEZAS DISPONIBLES - (NO SE MUESTRAN)						
	M16841-80	Conjunto de cables, blanco	•	•	•	1
	M9900-170	Conjunto de cables, negro	•	•	•	1
	101480-15	Conjunto de cables, azul	•	•	•	1
	116774-03	Conjunto de manguera y regulador	•	•	•	1
	118687-04	Etiqueta adhesiva de funcionamiento	•	•	•	1
	119144-04	Etiqueta adhesiva con datos del modelo	•	•	•	1
	119146-02	Etiqueta adhesiva de cableado	•	•	•	1
	099504-08	Etiqueta adhesiva de advertencia	•	•	•	1
	110267-02	Arnés del control del DSI	•	•	•	1

GARANTÍA Y SERVICIO DE REPARACIÓN

GUARDE ESTA GARANTÍA

Modelo _____

N° de serie _____

Fecha de compra _____

GARANTÍA LIMITADA PARA PRODUCTOS NUEVOS Y RECONDICIONADOS DE FÁBRICA

Productos nuevos: DESA Heating Products garantiza este calentador y cualquiera de sus partes contra cualquier defecto en los materiales y en la mano de obra durante un (1) año a partir de la fecha de la compra original, siempre y cuando se haya operado y se le haya dado mantenimiento de acuerdo con la instrucciones del fabricante. Estas garantías se extienden solamente al comprador minorista original, cuando se proporciona un comprobante de compra.

Calentadores reacondicionados de fábrica: DESA Heating Products garantiza este calentador y cualquiera de sus partes contra cualquier defecto en los materiales y mano de obra por treinta (30) días a partir del día de la compra, siempre y cuando se haya operado y dado mantenimiento de acuerdo con la instrucciones del fabricante. Estas garantías se extienden solamente al comprador minorista original, cuando se proporciona un comprobante de compra.

Estas garantías sólo cubren el costo de las piezas y de la mano de obra requeridos para restaurar el producto a una condición de operación correcta. Los costos de transporte e incidentales asociados con reparaciones bajo garantía no son reembolsables mediante la misma.

El servicio de garantía está disponible solamente mediante distribuidores y centros de servicio autorizados.

Esta garantía no cubre defectos ocasionados por mal uso, abuso, negligencia, accidentes, falta de mantenimiento adecuado, desgaste normal, alteración, modificación, manipulación, combustibles contaminados, reparación usando piezas inadecuadas o reparación realizada por cualquiera que no sea un distribuidor o centro de servicio autorizado. El mantenimiento de rutina es responsabilidad del propietario.

ESTA GARANTÍA EXPRESA SE OTORGA EN LUGAR DE CUALQUIER OTRA GARANTÍA, YA SEA EXPRESA O IMPLÍCITA, INCLUYENDO GARANTÍAS DE COMERCIALIZACIÓN E IDONEIDAD PARA UN PROPÓSITO PARTICULAR.

DESA Heating Products no asume ninguna responsabilidad por daños indirectos, incidentales o consecuentes. Algunos estados no permiten la exclusión o la limitación de daños incidentales o consecuentes, o es posible que las limitaciones o exclusiones no sean aplicables a usted. Esta garantía limitada le otorga derechos legales específicos y posiblemente tenga otros derechos que varían de un estado a otro.

Nos reservamos el derecho de modificar estas especificaciones en cualquier momento sin previo aviso. La única garantía aplicable es nuestra garantía estándar por escrito. No otorgamos ninguna otra garantía, expresa o implícita.

SERVICIO DE GARANTÍA

Si su calentador requiere servicio, regréselo al centro de servicio autorizado más cercano. Se debe presentar la prueba de compra junto con el calentador. El calentador será inspeccionado. Un defecto podría ser ocasionado por materiales o mano de obra defectuosos. Si es así, DESA Heating Products reparará o reemplazará el calentador sin ningún cargo.

SERVICIO DE REPARACIÓN

Devuelva su calentador al centro de servicio autorizado más cercano. Las reparaciones no cubiertas por la garantía se cobrarán a precio estándar. Cada centro de servicio tiene propietario y operación independientes. Nos reservamos el derecho de modificar estas especificaciones en cualquier momento sin previo aviso. Cuando nos escriba, incluya siempre el número de modelo y el número de serie. Para obtener mayor información, escriba a:

DESA[™]
INDOOR/OUTDOOR PRODUCTS

2701 Industrial Drive
P.O. Box 90004
Bowling Green, KY 42102-9004, EE.UU.

DESA[™]
INDUSTRIES OF CANADA, INC.

82 Akron Road
Toronto, Ontario, Canadá

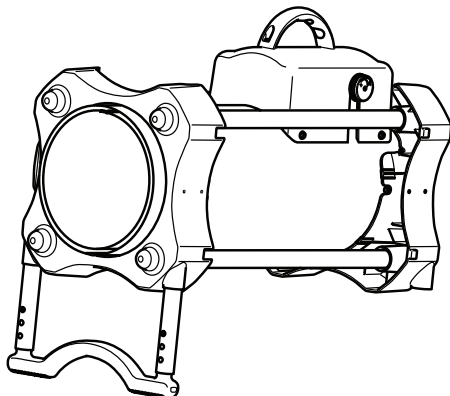
M8W 1T2

119143-01
Rev. A
06/06

DESATM

INDOOR/OUTDOOR PRODUCTS

APPAREIL DE CHAUFFAGE À AIR FORCÉ DE CHANTIER AU GAZ PROPANE OU GPL MANUEL D'UTILISATION



MODÈLES TB100, TB104, TB106, TB110 À 55 000 BTU
MODÈLES TB102, TB111, TB114 À 85 000 BTU
TB101, TB105, TB107, TB112 À 125 000 BTU
TB103, TB108, TB113 À 170 000 BTU

IMPORTANT : lisez et comprenez ce manuel avant d'assembler, d'allumer ou de réparer l'appareil de chauffage. Une mauvaise utilisation de l'appareil de chauffage peut causer des blessures graves. Conservez ce manuel pour référence future.

AVERTISSEMENT D'ORDRE GÉNÉRAL : tout manquement aux précautions et aux instructions fournies avec cet appareil de chauffage peut causer la mort, des blessures corporelles graves ainsi que la perte de biens et des dommages causés par les risques associés au feu, à une explosion, aux brûlures, à l'asphyxie, à l'empoisonnement au monoxyde de carbone et aux chocs électriques.

Seuls les individus qui comprennent et respectent ces instructions peuvent utiliser ou réparer cet appareil de chauffage.

Si vous avez besoin d'aide ou de renseignements concernant l'appareil de chauffage comme un manuel d'instructions, des étiquettes, etc., contactez le fabricant.

Conservez ce mode d'emploi pour consultation future.
Pour plus de détails, visitez le site www.desatech.com.

TABLE DES MATIÈRES

Information relative à la sécurité.....	2	Entretien	9
Identification du produit	4	Procédures d'entretien	10
Déballage	4	Caractéristiques.....	11
Assemblage.....	4	Diagrammes de câblage.....	12
Théorie de fonctionnement.....	5	Pièces de rechange.....	13
Approvisionnement en propane.....	6	Service technique.....	13
Ventilation	6	Publications pour le service.....	13
Installation	7	Accessoires	13
Fonctionnement.....	8	Vue détaillée et liste des pièces	14
Entreposage	9	Service de garantie et de réparation	Dos

INFORMATION RELATIVE À LA SÉCURITÉ

⚠ AVERTISSEMENT : cet appareil contient ou produit des produits chimiques déterminés par l'État de Californie comme cancérigènes et pouvant causer des malformations congénitales et d'autres troubles liés à la reproduction.

⚠ AVERTISSEMENT : danger d'incendie, de brûlure, d'inhalation et d'explosion. Gardez les produits combustibles solides comme les matériaux de construction, le papier et les cartons à une distance sûre de l'appareil de chauffage tel que recommandé dans ces instructions. N'utilisez jamais l'appareil de chauffage dans des espaces susceptibles de contenir des combustibles volatils ou atmosphériques ou des produits tels que de l'essence, des diluants, du solvant à peinture, des particules de poussières ou des produits chimiques inconnus.

⚠ AVERTISSEMENT : cet appareil n'est pas conçu pour un usage domestique ou dans les véhicules de camping.

L'appareil de chauffage est conçu et approuvé pour être utilisé en tant qu'appareil de chauffage de chantier conformément à la norme ANSI Z83.7•CGA 2.14-2000 Appareil de chauffage de chantier. La fonction des appareils de chauffage de chantier est la production temporaire de chaleur pour des édifices en construction, ou en cours de modification ou de réparation. Utilisé correctement, cet appareil de chauffage représente une source de chaleur économique et sûre. Les produits de combustion sont évacués dans l'espace qui est chauffé.

Nous ne pouvons pas prévoir toutes les utilisations possibles de nos appareils de chauffage. **Consultez votre responsable local de la sécurité-incendie si vous avez des questions relatives à l'utilisation de l'appareil de chauffage.**

D'autres normes régissent l'utilisation des gaz combustibles et des produits de chauffage pour des utilisations particulières. Les autorités locales peuvent vous conseiller à propos de ces normes.

Empoisonnement au monoxyde de carbone : certaines personnes sont plus sensibles au monoxyde de carbone que d'autres. Les premiers symptômes d'un empoisonnement au monoxyde de carbone ressemblent à la grippe avec des maux de tête, du vertige ou de la nausée. Si vous avez ces symptômes, il se pourrait que l'appareil de chauffage ne fonctionne pas bien. **Respirez tout de suite de l'air frais !** Faites réparer l'appareil de chauffage.

Propane/GPL : le propane et le gaz de pétrole liquéfié n'ont pas d'odeur. Un produit odorant est ajouté au propane et au GPL. Cette odeur vous permet de détecter une fuite de propane ou de GPL. Cependant, cette odeur ajoutée au propane ou au GPL peut se dissiper. Du propane ou du GPL peuvent être présents même s'il n'y a pas d'odeur.

Lisez et comprenez tous les avertissements. Conservez ce manuel pour consultation future. Il vous permettra de faire fonctionner cet appareil de chauffage correctement et en toute sécurité.

INFORMATION RELATIVE À LA SÉCURITÉ

suite

1. Installez et utilisez l'appareil de chauffage avec précaution. Suivez tous les règlements et les codes locaux. En l'absence de codes ou de règlements locaux, consultez la *Norme pour l'emmagasinage et la manipulation du gaz de pétrole liquéfié (ANSI/NFPA58)* et le *Code d'installation du gaz naturel et du propane, CSA B149.2*. Ces documents décrivent les précautions à prendre pour l'entreposage et la manutention du gaz propane.
2. N'utilisez que la tension et la fréquence électrique indiquées sur la plaque signalétique. Les connexions électriques et la mise à la terre de l'appareil de chauffage se feront en conformité avec le *Code national de l'électricité, ANSI/NFPA 70* ou le *Code électrique du Canada, partie 1*.
3. Instructions relatives à la mise à la terre : cet appareil de chauffage est muni d'une fiche de terre trifilaire pour vous protéger des décharges électriques ; il doit être branché directement dans une prise ou une rallonge électrique trifilaire avec mise à la terre.
4. Ce produit a été approuvé pour usage dans le Commonwealth du Massachusetts.
5. Usage à l'intérieur seulement. Assurez une ventilation suffisante.
6. Éloignez l'appareil de chauffage des courants d'air, du vent, des éclaboussures, de la pluie ou de l'eau ruisselante.
7. Utilisez-le uniquement que dans des endroits bien aérés. Pour utiliser l'appareil de chauffage, il doit y avoir une ouverture sur l'extérieur d'au moins 0,28 m² (3 pi²) pour chaque 105 500 kJ (100 000 BTU/h) de puissance.
8. N'utilisez pas l'appareil de chauffage à l'extérieur ou dans des lieux habités.
9. N'utilisez pas l'appareil de chauffage dans une pièce habitée ou dans une chambre à coucher.
10. Ne placez pas de matériaux combustibles, d'essence, de solvant à peinture ou d'autres vapeurs ou liquides inflammables à proximité de l'appareil. La poussière est combustible. N'utilisez pas l'appareil de chauffage là où il y a beaucoup de poussière.
11. Si cet appareil de chauffage est équipé d'un thermostat, il peut s'allumer à tout moment.
12. Vérifiez l'appareil de chauffage avant chaque utilisation. N'utilisez pas un appareil de chauffage endommagé.
13. N'utilisez que du gaz propane ou de pétrole liquéfié composé pour le retrait de vapeur.
14. Conservez les bouteilles de propane à moins de 38° C (100 °F).
15. N'utilisez pas l'appareil de chauffage dans un sous-sol ou sous le niveau du sol. Les gaz propane et de pétrole liquéfié sont plus lourds que l'air. Si une fuite se manifeste, le gaz propane ou de pétrole liquéfié s'écoulera au niveau le plus bas possible.
16. N'utilisez que le tuyau et le détendeur fournis avec l'appareil de chauffage.
17. Vérifiez le tuyau avant chaque utilisation de l'appareil de chauffage. S'il est très usé ou fendu, remplacez le tuyau par le type de tuyau spécifié par le fabricant avant d'utiliser l'appareil de chauffage.
18. Ne modifiez pas l'appareil de chauffage. Maintenez l'appareil de chauffage dans son état initial.
19. N'utilisez pas l'appareil de chauffage s'il a été modifié.
20. Placez l'appareil de chauffage à au moins 1,8 m (6 pi) des bouteilles de propane ou de GPL. Ne pointez pas la sortie d'air chaud de l'appareil de chauffage en direction des bouteilles de propane ou de GPL à moins de 6,1 m (20 pi) de ces derniers.
21. Distances minimales entre l'appareil de chauffage et les combustibles : sortie 2,4 m (8 pi), côtés 0,6 m (2 pi), dessus 1,8 m (6 pi), arrière 0,6 m (2 pi)
22. Placez l'appareil de chauffage sur une surface stable et de niveau quand il est brûlant et en fonctionnement.
23. Ne laissez pas les enfants et les animaux s'approcher de l'appareil de chauffage.
24. Lorsque l'appareil de chauffage n'est pas utilisé, fermez la vanne d'approvisionnement en propane ou GPL et débranchez l'appareil.
25. Ne bloquez jamais l'entrée d'air (à l'arrière) ou la sortie d'air chaud (à l'avant) de l'appareil de chauffage.
26. Ne déplacez, ne manipulez et ne réparez jamais un appareil de chauffage brûlant, en fonctionnement ou branché.
27. N'installez jamais de tuyauterie de ventilation à l'avant ou à l'arrière de l'appareil de chauffage.
28. Utilisez seulement des pièces de rechange d'origine. Cet appareil de chauffage utilise des pièces conçues spécifiquement pour lui. N'utilisez pas de substituts ou de pièces génériques. L'utilisation de pièces de rechange inadéquates peut causer des blessures graves ou fatales.
29. N'utilisez pas ce produit sans les tubes rallonge et le pied.

IDENTIFICATION DU PRODUIT

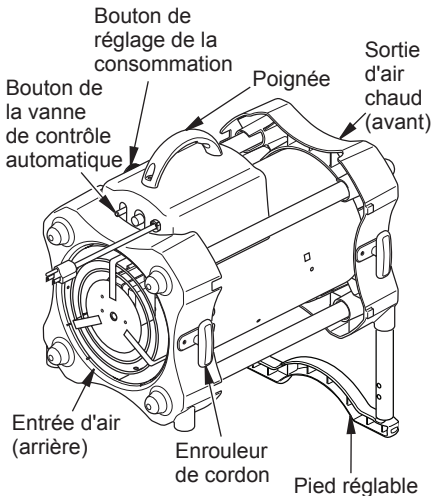


Figure 1 - Modèles à 55/85/125 000 BTU/h

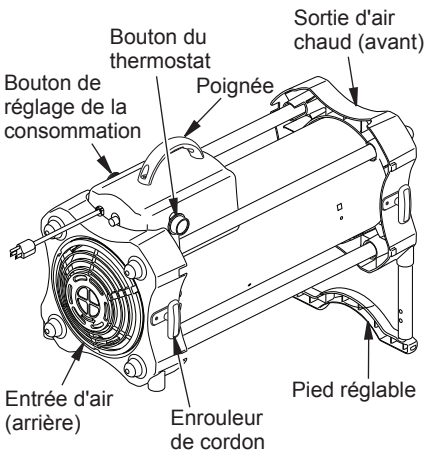


Figure 2 - Modèles à 170 000 BTU/h

DÉBALLAGE

1. Enlevez tout matériau d'emballage appliqué sur l'appareil de chauffage pour son expédition. Conservez le bouchon en plastique (sur le raccord d'entrée et l'assemblage du tuyau et du détendeur de l'appareil de chauffage) pour l'entreposage.
2. Retirez toutes les pièces de l'emballage.
3. Inspectez toutes les pièces pour voir si elles ont été endommagées pendant l'expédition. Si l'appareil de chauffage est endommagé, informez-en promptement le revendeur où vous l'avez acheté.

ASSEMBLAGE

IMPORTANT : n'utilisez pas ce produit sans les tubes rallonge et le pied.

Poignée

Fixez la poignée à la boîte de contrôle avec deux vis (longues) comme illustré à la figure 3.

Pied en plastique et tubes rallonge

1. Insérez les tubes rallonge dans l'embout de sortie jusqu'à ce que le petit trou soit aligné sur le plus grand trou et soit visible de l'intérieur de l'embout (voir figure 3). Fixez les tubes rallonge avec les vis fournies (courte).
2. Insérez les embouts du pied de plastique dans chacun des tubes rallonge et réglez l'appareil de chauffage à l'angle désiré. Les petites vis sur le pied de plastique s'enclencheront dans les trous des tubes rallonge.

Enrouleur de cordon

Installez un enrouleur de cordon sur le côté de chaque embout avec les vis courtes fournies, comme illustré à la figure 3.

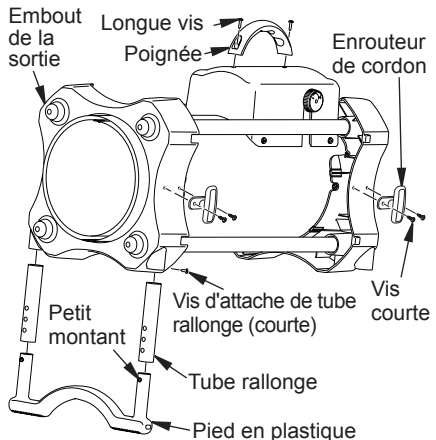


Figure 3 - Assemblage de la poignée et du pied

THÉORIE DE FONCTIONNEMENT

Système d'approvisionnement en combustible : l'assemblage du tuyau et du détendeur est relié à l'approvisionnement en gaz propane. Dans le cas des modèles 55/85/125, le gaz propane passe par la vanne de contrôle automatique, la vanne de réglage automatique et sort par l'injecteur. Dans le cas des modèles 170, le gaz propane passe par l'électrovanne, la vanne de réglage automatique et sort par l'injecteur.

Système d'admission d'air : le moteur fait tourner le ventilateur. Le ventilateur pousse

l'air à l'intérieur et autour de la chambre de combustion. L'air est chauffé et fournit un courant d'air propre et chaud.

Système d'allumage : dans le cas des modèles 55/85/125, l'allumeur haute tension envoie une tension élevée à l'allumeur par étincelle. Dans le cas des modèles 170, l'allumeur par étincelle directe envoie de l'énergie à l'allumeur par étincelle. L'allumeur par étincelle allume le mélange de gaz et d'air.

Système de protection automatique : ce système provoque l'arrêt de l'appareil de chauffage en cas d'extinction de la flamme. Ce moteur continuera à fonctionner, mais aucune chaleur ne sera produite.

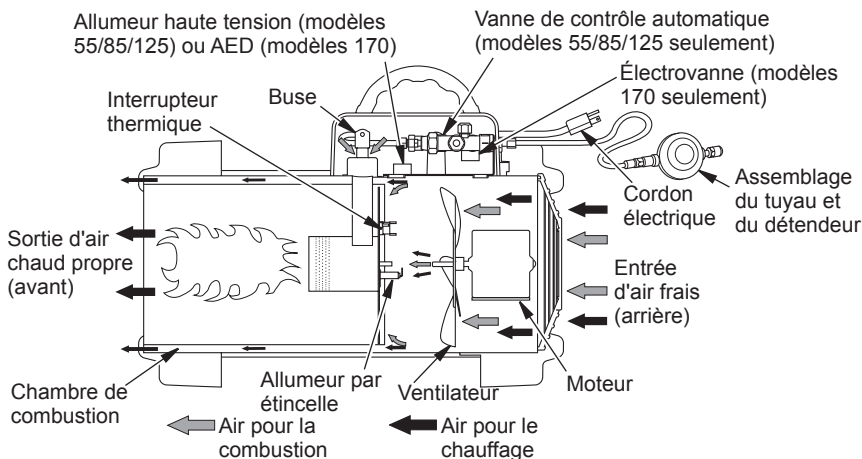


Figure 4 - Vue opérationnelle en coupe transversale

APPROVISIONNEMENT EN PROPANE

Le gaz propane ou le GPL, et les bouteilles de propane ou de GPL doivent être fournis par l'utilisateur.

N'utilisez cet appareil de chauffage qu'avec un système d'approvisionnement à élimination de vapeurs de propane ou de GPL. Consultez le chapitre 5 de la *Norme pour l'emmagasiner et la manipulation du gaz de pétrole liquéfié, ANSI/NFPA 58* et le *Code d'installation du gaz naturel et du propane, CSA B149.2*. Votre bibliothèque ou votre service d'incendie ont ces publications.

La quantité de gaz propane ou GPL utilisable dans les bouteilles de propane ou de GPL varie. Deux facteurs influencent cette quantité :

1. La quantité de gaz propane contenue dans les bouteilles
2. La température des bouteilles

Le tableau ci-dessous indique le nombre de bouteilles de 45 kg (100 lb) à utiliser pour faire fonctionner cet appareil de chauffage.

Température ambiante	Nombre de bouteilles		
	Modèles		
	55	85	125/170
supérieure à -7 °C (20 °F)	1	1	2
entre -7° C (20° F) et -18 °C (-0° F)	1	2	3

Moins de gaz se vaporise à basse température. Il se peut que vous ayez besoin d'une bouteille plus grande par température froide. Votre fournisseur de gaz propane ou GPL local vous aidera à choisir le système d'approvisionnement qui vous convient.

VENTILATION



AVERTISSEMENT : respectez les exigences minimales en matière d'apport en air frais de l'extérieur. Si une ventilation suffisante d'air frais de l'extérieur n'est pas fournie, un empoisonnement au monoxyde de carbone peut se produire. Il doit y avoir une entrée d'air frais de l'extérieur adéquate pour utiliser l'appareil de chauffage.

Il doit y avoir une ouverture sur l'extérieur d'au moins 0,28 m² (3 pi²) pour chaque 105 500 kJ/h (100 000 BTU/h) de puissance. Fournissez davantage d'air frais si plus d'un appareil de chauffage est utilisé.

INSTALLATION

⚠ AVERTISSEMENT : lisez et comprenez les avertissements de la section *Information relative à la sécurité*, page 2. Ils sont requis pour faire fonctionner cet appareil de chauffage sans danger. Respectez tous les codes locaux lors de l'utilisation de cet appareil de chauffage.

⚠ AVERTISSEMENT : testez toutes les conduites de gaz et les raccords pour détecter les fuites après l'installation ou des réparations. N'utilisez jamais de flamme pour rechercher une fuite. Appliquez une solution de savon liquide et d'eau sur tous les joints. La présence de bulles indique une fuite. Réparez toutes les fuites immédiatement.

1. Assurez-vous d'avoir un système d'approvisionnement en propane/GPL (voir *Approvisionnement en propane et GPL*, page 6).
2. Branchez le raccord PP de l'assemblage du tuyau et du détendeur aux bouteilles de propane ou GPL. Tournez le raccord PP dans le sens inverse des aiguilles d'une montre dans le filetage de la bouteille. Resserrez fermement avec une clef.

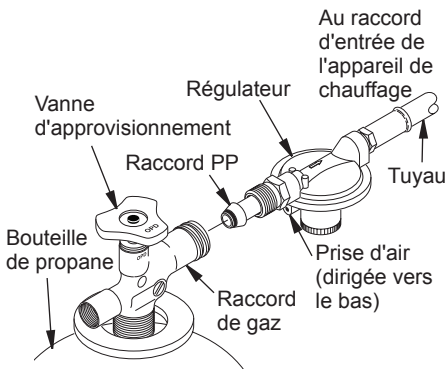


Figure 5 - Détendeur avec prise d'air dirigée vers le bas.

IMPORTANT : serrez le détendeur en dirigeant la prise d'air vers le bas. Le fait qu'elle soit dirigée vers le bas la protège des intempéries.

3. Raccordez le tuyau au raccord d'entrée de l'appareil de chauffage. Resserrez fermement avec une clef.

IMPORTANT : un tuyau ou une canalisation supplémentaire peut être employé au besoin. Installez tout tuyau ou toute canalisation supplémentaire entre la bouteille de propane/GPL et le régulateur. Vous devez vous assurer qu'il y a une pression de 25 psig à l'entrée du régulateur. Vous devez utiliser le détendeur fourni avec l'appareil de chauffage.

4. Ouvrez lentement la vanne d'approvisionnement en propane ou GPL du ou des bouteilles de propane/GPL. *Remarque :* si on ne l'ouvre pas lentement, la vanne de limitation de débit de la bouteille de propane ou GPL coupera le gaz. Si ceci se produit, il se pourrait que vous entendiez un déclic à l'intérieur de l'assemblage du régulateur. Pour réamorcer la vanne de limitation de débit, fermez la vanne d'approvisionnement en propane ou GPL et rouvrez-la plus lentement.
5. Vérifiez les fuites à chaque branchement.
6. Fermez la vanne d'approvisionnement en propane ou GPL.

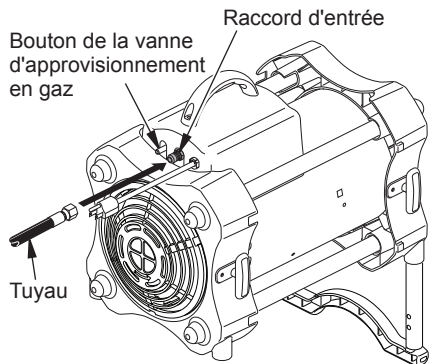



Figure 6 - Tuyau et raccord d'entrée (l'appareil de chauffage peut être différent de celui illustré)

FONCTIONNEMENT

 **AVERTISSEMENT : lisez et comprenez les avertissements de la section *Information relative à la sécurité*, page 2. Ils sont requis pour faire fonctionner cet appareil de chauffage sans danger. Respectez tous les codes locaux lors de l'utilisation de cet appareil de chauffage.**

POUR ALLUMER L'APPAREIL DE CHAUFFAGE

1. Suivez toutes les consignes d'installation, de ventilation et de sécurité.
2. Placez l'appareil de chauffage sur une surface stable et de niveau. Assurez-vous qu'il n'y a pas de courants d'air forts à l'avant ou à l'arrière de l'appareil de chauffage.
3. Branchez le cordon électrique de l'appareil de chauffage dans une rallonge trifilaire mise à la terre. La rallonge doit être au moins de 1,83 m (6 pi). Elle doit porter l'homologation UL.

Exigences en matière de dimensions de la rallonge électrique

Jusqu'à 15 m (50 pi), utilisez une rallonge de calibre 18 AWG.

Entre 15,5 et 30,5 m (51 et 100 pi), utilisez une rallonge de calibre 16 AWG.

Entre 30,78 et 61 m (101 et 200 pi), utilisez une rallonge de calibre 14 AWG.

4. Branchez la rallonge électrique dans une prise trifilaire avec mise à la terre de 120 volts et 60 hertz.
5. Ouvrez lentement la vanne d'approvisionnement en propane ou GPL du ou des bouteilles de propane ou GPL. *Remarque* : si on ne l'ouvre pas lentement, la vanne de limitation de débit de la bouteille de propane ou GPL coupera le gaz. Si ceci se produit, il se pourrait que vous entendiez un déclic à l'intérieur de l'assemblage du régulateur. Pour réamorcer la vanne de limitation de débit, fermez la vanne d'approvisionnement en propane ou GPL et rouvrez-la plus lentement.
6. Tournez le bouton de réglage de la chaleur dans le sens des aiguilles d'une montre vers la position BAS.

Modèles 55, 85 et 125 seulement

7. Appuyez et maintenez le bouton de la vanne d'approvisionnement en gaz enfoncé. L'appareil de chauffage devrait s'allumer après quelques secondes.

Remarque : si l'appareil de chauffage ne s'allume pas, le tuyau peut contenir de l'air. Si c'est le cas, maintenez le bouton de la vanne d'approvisionnement en gaz et attendez 20 secondes. Relâchez le bouton de la vanne de contrôle du gaz et attendez 20 secondes pour laisser le combustible non brûlé s'échapper de l'appareil de chauffage. Répétez l'étape 6.

8. Attendez 30 secondes après l'allumage de l'appareil de chauffage. Cela active le système de contrôle automatique. Relâchez le bouton de la vanne de contrôle du gaz.

Modèles 170 uniquement

9. Réglez le thermostat au niveau désiré. Si l'appareil de chauffage ne s'allume pas, le réglage du thermostat peut être trop bas. Tournez le bouton du thermostat à la position maximale pour allumer l'appareil de chauffage. *Remarque* : si l'appareil de chauffage ne s'allume pas, débranchez-le. Attendez dix secondes pour que le système de protection automatique se réinitialise, branchez l'appareil de chauffage et essayez à nouveau.

Tous les modèles

10. Quand le brûleur reste allumé, réglez l'appareil de chauffage au niveau de chaleur de votre choix en tournant le bouton de réglage de la chaleur dans le sens inverse des aiguilles d'une montre. Si le brûleur s'éteint, coupez le gaz. Tournez complètement le bouton de réglage de la chaleur variable dans le sens des aiguilles d'une montre à son niveau le plus bas. Vérifiez l'approvisionnement en combustible. Si l'approvisionnement en combustible est conforme, redémarrez l'appareil de chauffage en commençant par l'étape 1.

POUR ARRÊTER L'APPAREIL DE CHAUFFAGE

1. Fermez complètement la vanne d'approvisionnement en propane ou GPL des bouteilles de propane.
2. Attendez quelques secondes. L'appareil de chauffage brûlera le gaz qui reste dans les tuyaux d'approvisionnement.
3. Débranchez l'appareil de chauffage.

FONCTIONNEMENT

suite

POUR RALLUMER L'APPAREIL DE CHAUFFAGE

Si le système de protection automatique arrête le débit du gaz vers l'appareil de chauffage, le moteur continuera de fonctionner.

1. Débranchez l'appareil de chauffage.
2. Attendez dix secondes. Branchez l'appareil de chauffage.

Si l'appareil de chauffage ne se rallume pas

- A. Vérifiez les vannes d'approvisionnement (sur la bouteille de propane/GPL). Assurez-vous qu'elles sont ouvertes.
- B. Vérifiez le niveau de combustible dans les bouteilles de propane ou GPL. Si le niveau du combustible est trop bas, contactez votre compagnie de propane ou de GPL locale.

Si l'appareil de chauffage ne s'allume toujours pas, contactez votre centre de service local.

ENTREPOSAGE



ATTENTION : débranchez l'appareil de chauffage des bouteilles de propane.

1. Entrez les bouteilles de propane ou GPL avec les précautions de sécurité nécessaires. Consultez le chapitre 5 de la *Norme pour l'emmagasinage et la manipulation du gaz de pétrole liquéfié, ANSI/NFPA 58* et le *Code d'installation du gaz naturel et du propane, CSA B149.2*. Respectez tous les codes locaux.
2. Revissez les bouchons en plastique sur les fixations en laiton des raccords d'entrée et de l'assemblage du tuyau et du détendeur.
3. Entrez l'appareil de chauffage dans un endroit sec, propre et sans danger. N'entrez pas l'assemblage du tuyau et du détendeur à l'intérieur de la chambre de combustion de l'appareil de chauffage.
4. Avant d'utiliser un appareil de chauffage qui a été entreposé, vérifiez toujours l'intérieur de l'appareil. Des insectes et de petits animaux peuvent avoir introduit des corps étrangers dans l'appareil de chauffage. Enlevez les produits combustibles et les corps étrangers qui se trouvent dans l'appareil de chauffage.

ENTRETIEN



AVERTISSEMENT : ne réparez jamais un appareil de chauffage qui est branché, raccordé à un source d'approvisionnement en propane, en fonctionnement ou brûlant. De graves brûlures et décharges électriques peuvent se produire.

1. Gardez l'appareil de chauffage propre. Nettoyez l'appareil de chauffage chaque année ou selon les besoins pour enlever la poussière et les débris. Si l'appareil de chauffage est sale ou poussiéreux, nettoyez-le avec un chiffon humide.
2. Inspectez l'appareil de chauffage avant chaque utilisation. Vérifiez qu'il n'y a pas de fuite aux raccords. Appliquez une solution de savon et d'eau sur les raccords. La présence de bulles indique une fuite. Réparez toutes les fuites immédiatement.
3. Inspectez l'assemblage du tuyau et du détendeur avant chaque utilisation. Si le tuyau est très usé ou fendu, remplacez-le.
4. Faites inspecter l'appareil de chauffage une fois l'an par une entreprise de service qualifiée.
5. Enlevez les produits combustibles et les corps étrangers qui se trouvent dans l'appareil de chauffage.

PROCÉDURES D'ENTRETIEN

⚠ AVERTISSEMENT : ne réparez jamais un appareil de chauffage qui est branché, raccordé à une source d'alimentation en propane, en fonctionnement ou brûlant. De graves brûlures et décharges électriques peuvent se produire.

NETTOYAGE DU VENTILATEUR

Nettoyez le ventilateur toutes les 500 heures de fonctionnement ou au besoin.

1. Retirez les vis du revêtement supérieur avec un tourne-écrou de 5/16 po ou un tournevis Phillips.
2. Retirez le revêtement supérieur.
3. Détachez les deux fils noirs du moteur du bornier qui se trouve sous le revêtement supérieur. Prenez garde de ne détacher que les fils venant du moteur.
4. Retirez la grille de protection du ventilateur de l'arrière de l'appareil de chauffage. La grille de protection du ventilateur se détachera de l'habillage.
5. Essayez d'atteindre l'arrière de l'habillage de l'appareil de chauffage. Faites passer délicatement les fils du moteur à travers le trou du support. *Remarque* : passez les fils un par un.
6. Retirez les vis qui retiennent le support du moteur à l'habillage. Utilisez un tourne-écrou de 5/16 po ou un tournevis Phillips.
7. Retirez délicatement le moteur et le ventilateur de l'habillage. **IMPORTANT** : faites attention à ne pas endommager le ventilateur. Ne déposez pas le moteur et le ventilateur de façon à faire reposer leur poids sur ce dernier. Cela pourrait endommager l'angle des pales du ventilateur.
8. Retournez le moteur et le ventilateur. Placez le moteur et le ventilateur dans l'habillage par l'arrière. *Remarque* : le moteur ira dans l'habillage en premier (voir figure 8).
9. Alignez les trous de montage arrière de l'habillage avec le premier trou sur chaque côté du support de montage du moteur (voir figure 8). *Remarque* : quand les trous sont alignés, le ventilateur doit être en dehors de l'habillage.

10. En tenant les vis de montage, passez votre main délicatement à travers les pales du ventilateur vers l'arrière de l'appareil de chauffage. Prenez garde de ne pas endommager l'angle des pales. Insérez la vis dans le support de montage du moteur et l'habillage. Avec la main libre, serrez fermement la vis. Répétez le processus pour les autres trous de montage.

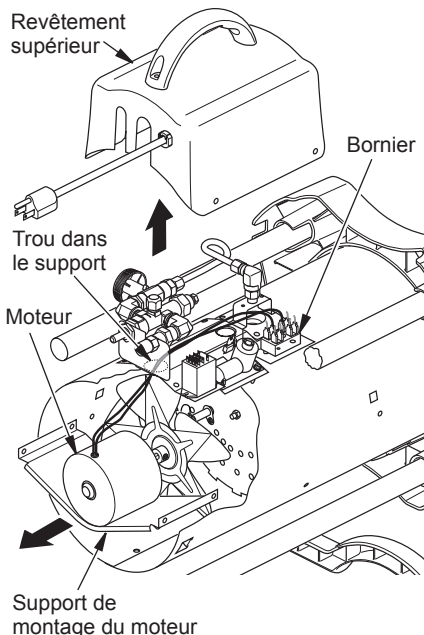


Figure 7 - Retrait du ventilateur et du moteur

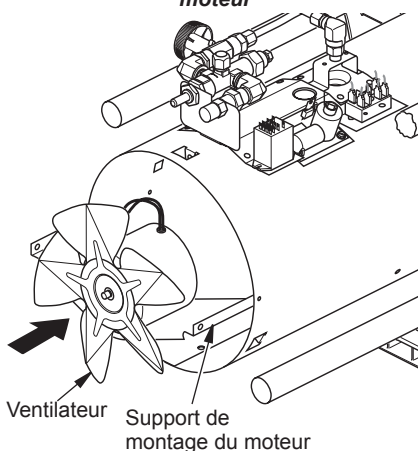


Figure 8 - Ventilateur et moteur retournés pour le nettoyage

PROCÉDURES D'ENTRETIEN

suite

11. Utilisez une clef hexagonale de 1/8 po pour desserrer la vis d'arrêt qui maintient le ventilateur à l'arbre du moteur (voir figure 9).
12. Glissez le ventilateur pour le libérer de l'arbre moteur.
13. Nettoyez le ventilateur à l'aide d'un linge doux humecté avec du solvant.
14. Séchez le ventilateur complètement.
15. Remplacez le ventilateur sur l'arbre moteur. Placez la vis d'arrêt sur le côté plat de l'arbre. Voir le tableau de la figure 10 sur les distances entre le moyeu du ventilateur et l'extrémité de l'arbre du moteur. Serrez bien la vis d'arrêt à 2,8-3,50 kg/cm² (40-50 po/lb).
16. Retirez les vis qui retiennent le support du moteur à l'habillage.
17. Retirez le moteur et le ventilateur de l'habillage. Retournez le moteur et le ventilateur. Remettez délicatement l'habillage en place. *Remarque* : le ventilateur ira dans l'habillage en premier.
18. Alignez les trous de montage dans l'habillage avec les trous sur le montage du moteur. Remplacez les quatre vis à travers l'habillage et le montage du moteur.
19. Acheminez les fils du moteur à travers l'orifice sur le dessus de l'habillage (voir figure 7, page 10).
20. Rebranchez les fils du moteur aux mêmes bornes sur le bornier que lors du démontage à l'étape 3, page 10 (voir figure 7, page 10).
21. Remettez en place le revêtement supérieur.
22. Remettez en place la grille de protection du ventilateur.

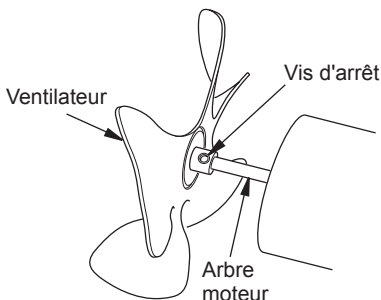


Figure 9 - Identification du ventilateur, de l'arbre du moteur et de la vis d'arrêt

Modèle	Distance A
55	4,8 mm (0,19 po)
85	0,5" (12,7 mm)* ou 0,9" (22,9 mm)*
125	0,5" (12,7 mm)* ou 0,9" (22,9 mm)*
170	6,4 mm (0,25 po)

* Selon le arbre moteur

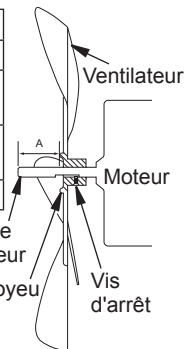


Figure 10 - Coupe transversale du ventilateur

CARACTÉRISTIQUES

Tous les modèles

- Propane/GPL
- Pression de gaz à l'entrée du régulateur : Max. pression de la bouteille ; min. 172,4 kPa (25 psig)
- Pression de gaz à la sortie du régulateur : 137,9 kPa (20 psig)
- Alimentation électrique : 120V, 60 Hz, 1Ø, 3 A
- Allumage par étincelle directe
- Température ambiante minimale puissance nominale : -17,8 °C (0 °F)

Modèles à 55 000 BTU/h

- 30 - 55 000 BTU/h (8,8 - 16,1 kW)
- Consommation de carburant : 0,70 - 1,28 kg/h (1,4 - 2,6 lb/h)
- Contrôle de flamme primaire : Vanne contrôlée par thermocouple
- Sortie d'air chaud : 8,49 m³/min (300 CFM)

Modèles à 85 000 BTU/h

- 50 - 85 000 BTU/h (14,6 - 25,0 kW)
- Consommation de carburant : 1,04 - 1,77 kg/h (2,3 - 3,9 lb/h)
- Contrôle de flamme primaire : Vanne contrôlée par thermocouple
- Sortie d'air chaud : 9,91 m³/min (350 CFM)

Modèles à 125 000 BTU/h

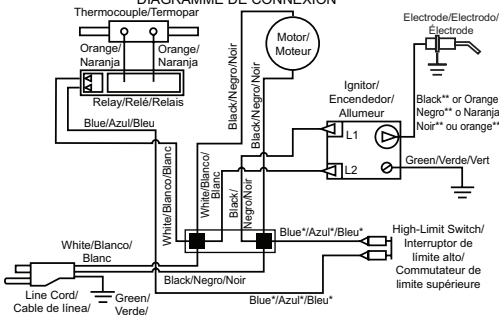
- 75 - 125 000 BTU/h (21,9 - 36,6 kW)
- Consommation de carburant : 1,59 - 2,63 kg/h (3,5 - 5,8 lb/h)
- Contrôle de flamme primaire : Vanne contrôlée par thermocouple
- Sortie d'air chaud : 9,91 m³/min (350 CFM)

Modèles à 170 000 BTU/h

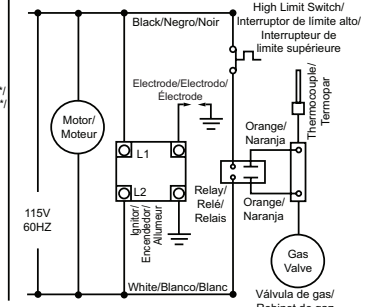
- 125 - 170 000 BTU/h (36,6 - 49,8 kW)
- Consommation de carburant : 2,63 - 3,6 kg/h (5,8 - 7,9 lb/h)
- Contrôle de flamme primaire : Rectification de flamme par AED
- Sortie d'air chaud : 12,74 m³/min (450 CFM)

DIAGRAMMES DE CÂBLAGE

CONNECTION DIAGRAM/DIAGRAMA DE CONEXIONES/
DIAGRAMME DE CONNEXION



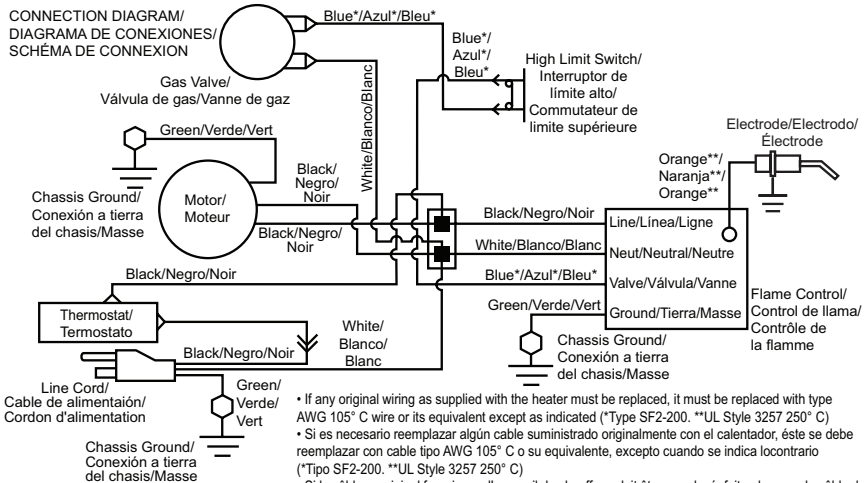
SCHEMATIC DIAGRAM/DIAGRAMA ESQUEMÁTICO/
DIAGRAMME DE CIRCUIT



- If any original wiring as supplied with the heater must be replaced, it must be replaced with type AWG 105° C wire or its equivalent except as indicated (*Type SF2-200. **UL Style 3257 250° C)
- Si es necesario reemplazar algún cable suministrado originalmente con el calentador, éste se debe reemplazar con cable tipo AWG 105° C o su equivalente, excepto cuando se indica lo contrario (*Tipo SF2-200. **UL Style 3257 250° C)
- Si le câblage fourni avec l'appareil de chauffage doit être remplacé, faites-le avec du câble de type AWG 105° C ou son équivalent, sauf indication contraire (*Type SF2-200. **UL Style 3257 250° C)

Modèles à 55 000, 85 000 et 125 000 BTU/h

CONNECTION DIAGRAM/
DIAGRAMA DE CONEXIONES/
SCHEMA DE CONNEXION



- If any original wiring as supplied with the heater must be replaced, it must be replaced with type AWG 105° C wire or its equivalent except as indicated (*Type SF2-200. **UL Style 3257 250° C)
- Si es necesario reemplazar algún cable suministrado originalmente con el calentador, éste se debe reemplazar con cable tipo AWG 105° C o su equivalente, excepto cuando se indica lo contrario (*Tipo SF2-200. **UL Style 3257 250° C)
- Si le câblage original fourni avec l'appareil de chauffage doit être remplacé, faites-le avec du câble de type AWG 105° C ou son équivalent, sauf indication contraire (*Type SF2-200. **UL Style 3257 250° C)

Modèles à 170 000 BTU/h

PIÈCES DE RECHANGE

⚠ AVERTISSEMENT: n'utilisez que des pièces de rechange d'origine. Cet appareil de chauffage utilise des pièces conçues spécifiquement pour lui. N'utilisez pas de substituts ou de pièces génériques. L'utilisation de pièces de rechange inadéquates peut causer des blessures graves ou fatales. Cela protégera également la garantie des pièces remplacées sous garantie.

PIÈCES SOUS GARANTIE

Communiquez avec un revendeur autorisé de ce produit. S'il ne peut pas vous fournir de pièces de rechange DESA d'origine, communiquez avec le dépôt de pièces le plus proche ou appelez le service technique de DESA Heating Products au 1-866-672-6040. Lorsque vous appelez DESA Heating Products, ayez sous la main :

- votre nom
- votre adresse
- le modèle et le numéro de série de votre appareil de chauffage
- une description de la panne de l'appareil de chauffage
- la date de l'achat

En général, nous vous demanderons de retourner la pièce à l'usine.

PIÈCES QUI NE SONT PAS SOUS GARANTIE

Communiquez avec un revendeur autorisé de ce produit. S'il ne peut pas vous fournir de pièces de rechange DESA d'origine, contactez le dépôt de pièces le plus près ou DESA Heating Products au 1-866-672-6040 pour plus de renseignements. Lorsque vous appelez DESA Heating Products, ayez sous la main :

- le numéro du modèle de l'appareil de chauffage
- le numéro de la pièce de rechange

SERVICE TECHNIQUE

Vous avez peut-être d'autres questions sur cet appareil de chauffage. Si tel est le cas, contactez le service technique de DESA Heating Products au 1-866-672-6040. Lorsque vous appelez, ayez sous la main les numéros de modèle et de série de votre appareil de chauffage.

Vous pouvez aussi visiter le site web du service technique de DESA Heating Products à l'adresse www.desatech.com.

PUBLICATIONS POUR L'ENTRETIEN

Vous pouvez acheter un manuel d'entretien pour cinq dollars américains. Écrivez votre chèque à l'ordre de DESA Heating Products. Faites parvenir votre commande à DESA Heating Products (adresse sur la dernière page). N'oubliez pas d'inclure le numéro de modèle de l'appareil de chauffage.

ACCESSOIRES

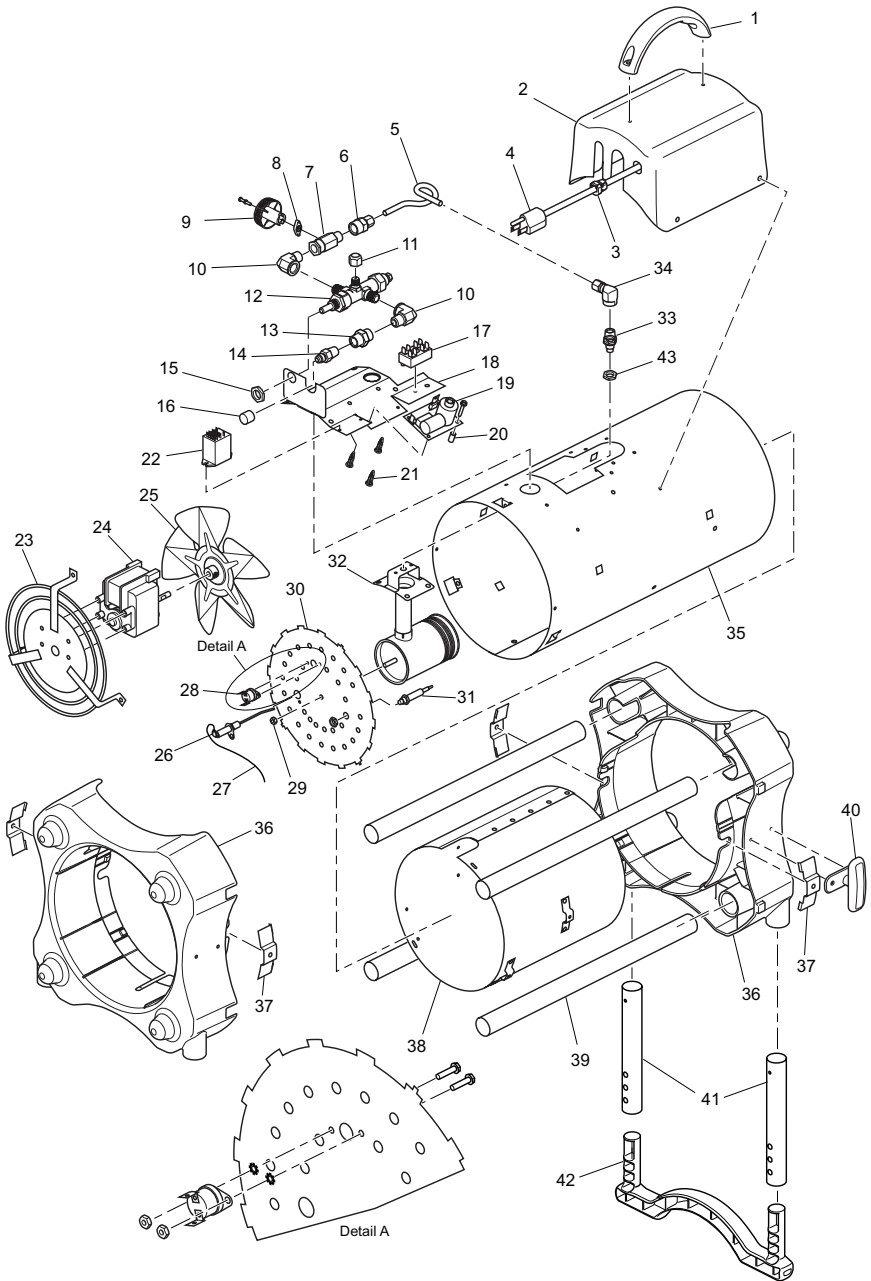
Achetez les accessoires et pièces chez un revendeur ou au centre de service le plus près de chez vous. S'ils ne peuvent pas vous fournir un accessoire ou une pièce, communiquez avec le dépôt de pièces le plus proche (les dépôts sont répertoriés dans la brochure des centres de service autorisés) ou appelez DESA Heating Products au 1-866-672-6040. Vous pouvez aussi nous écrire à l'adresse indiquée au dos de ce manuel.

Raccord de gaz - LPA4020

Un adaptateur PP avec vanne de limitation de débit.

VUE DÉTAILLÉE DES PIÈCES

MODÈLES TB100, TB104, TB106, TB110 À 55 000 BTU/H



LISTE DES PIÈCES

MODÈLES À 55 000 BTU/H

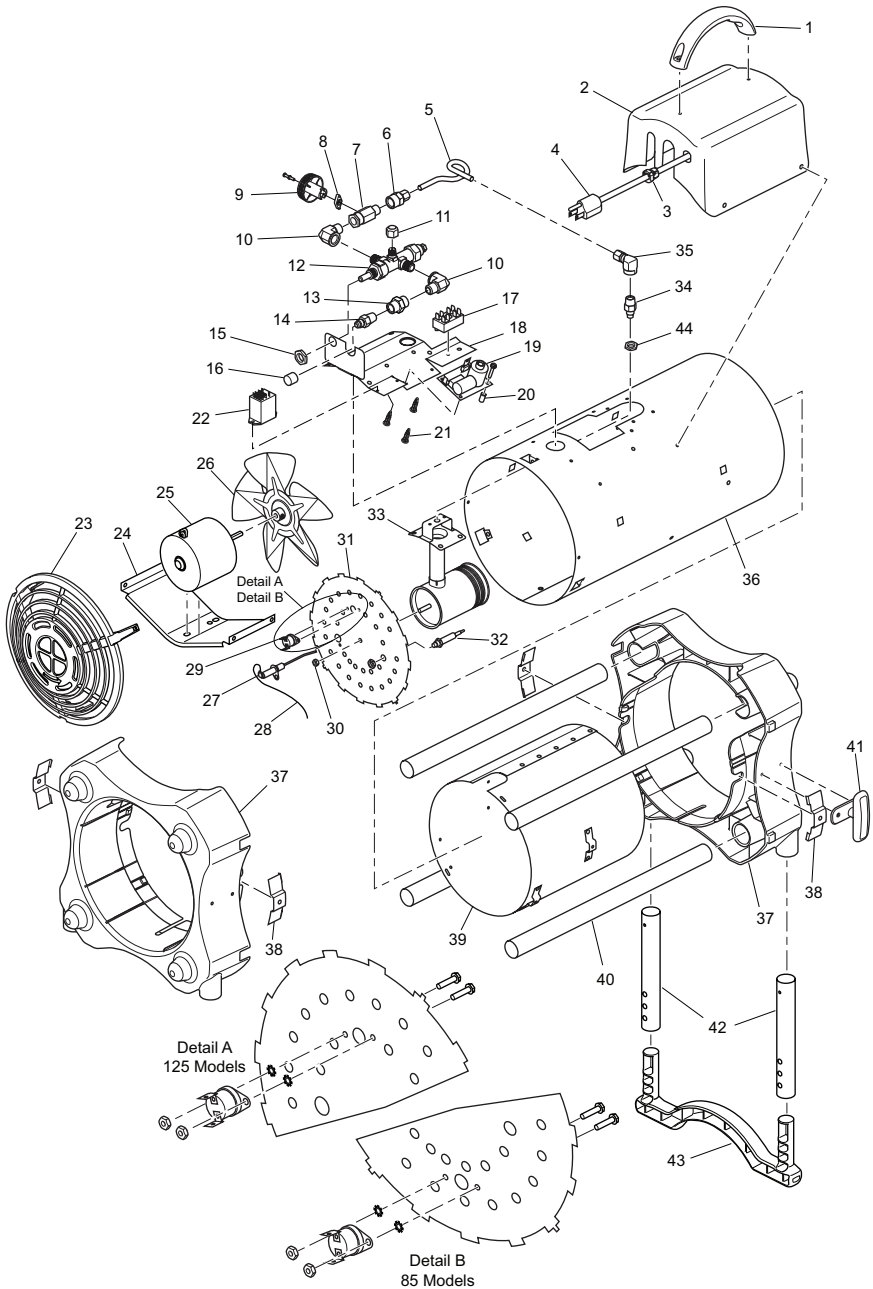
Cette liste représente les pièces de rechange utilisées dans votre appareil de chauffage. Quand vous commandez des pièces, reportez-vous aux instructions de la section *Pièces de rechange*, à la page 13 de ce manuel.

N°	N° DE		DESCRIPTION	TB100	TB104	TB106	TB110	QTÉ
	PIÈCE							
1	118476-01	Poignée	1
2	118472-01	Boîte de contrôle	1
3	M11143-2	Bride de cordon	1
4	098219-42	Cordon d'alimentation	1
5	100145-03	Tuyau de combustible	1
6	118796-01	Raccord à compression femelle	1
7	114159-05	Assemblage de vanne à tournant sphérique	1
8	113810-01	Insert de vanne à tournant sphérique	1
9	118773-01	Bouton de vanne à tournant sphérique	1
10	113870-01	Raccord en coude	2
11	116981-01	Capuchon de raccord femelle	1
12	097155-01	Vanne de contrôle	1
13	113869-01	Fixation de raccord	1
14	097809-04	Raccord mâle	1
15	113794-01	Écrou de vanne	1
16	078978-03	Manchon de capuchon	1
17	119401-01	Bornier	1
18	118506-01	Grille anti-chaaleur	1
19	113867-01	Mini allumeur Haut-Bas	1
20	114150-01	Entretoise d'acier	1
21	118802-01	Montage du circuit imprimé	3
22	113875-02	Assemblage du relai	1
23	118780-01	Assemblage de la grille du moteur	1
24	113880-02	Assemblage du moteur	1
25	113881-01	Ventilateur	1
26	097805-04	Allumeur	1
27	097806-03	Câble de l'allumeur	1
28	101481-12	Interrupteur thermique	1
29	098249-01	Écrou	1
30	118497-02	Plaque arrière	1
31	104146-05	Thermocouple	1
32	118514-01	Assemblage du brûleur	1
33	118685-01	Buse	1
34	100146-01	Coude femelle	1
35	119496-01	Habillage (noir)	1
36	118471-01	Embout	2
37	119459-01	Fixation de retenue	4
38	119497-01	Chambre de combustion	1
39	118477-03	Tuyau d'acier	4
40	118475-01	Enrouleur de cordon	2
41	118478-03	Tube rallonge	2
42	118474-01	Pied	1
43	119631-01	Écrou	1
PIÈCES DISPONIBLES (NON ILLUSTRÉES)								
	M9900-199	Assemblage de fils noirs	1
	M9900-200	Assemblage de fils blancs	1
	101480-14	Assemblage de fils bleus	1
	118774-04	Assemblage du tuyau et du régulateur	1
	118687-01	Étiquette d'utilisation	1
	118687-03	Étiquette d'utilisation	1
	119144-01	Étiquette signalétique du modèle	1
	119146-01	Étiquette de câblage	1

VUE DÉTAILLÉE DES PIÈCES

MODÈLES TB102, TB111, TB114 À 85 000 BTU/H

MODÈLES TB101, TB105, TB107, TB 112 À 125 000 BTU/H



LISTE DES PIÈCES

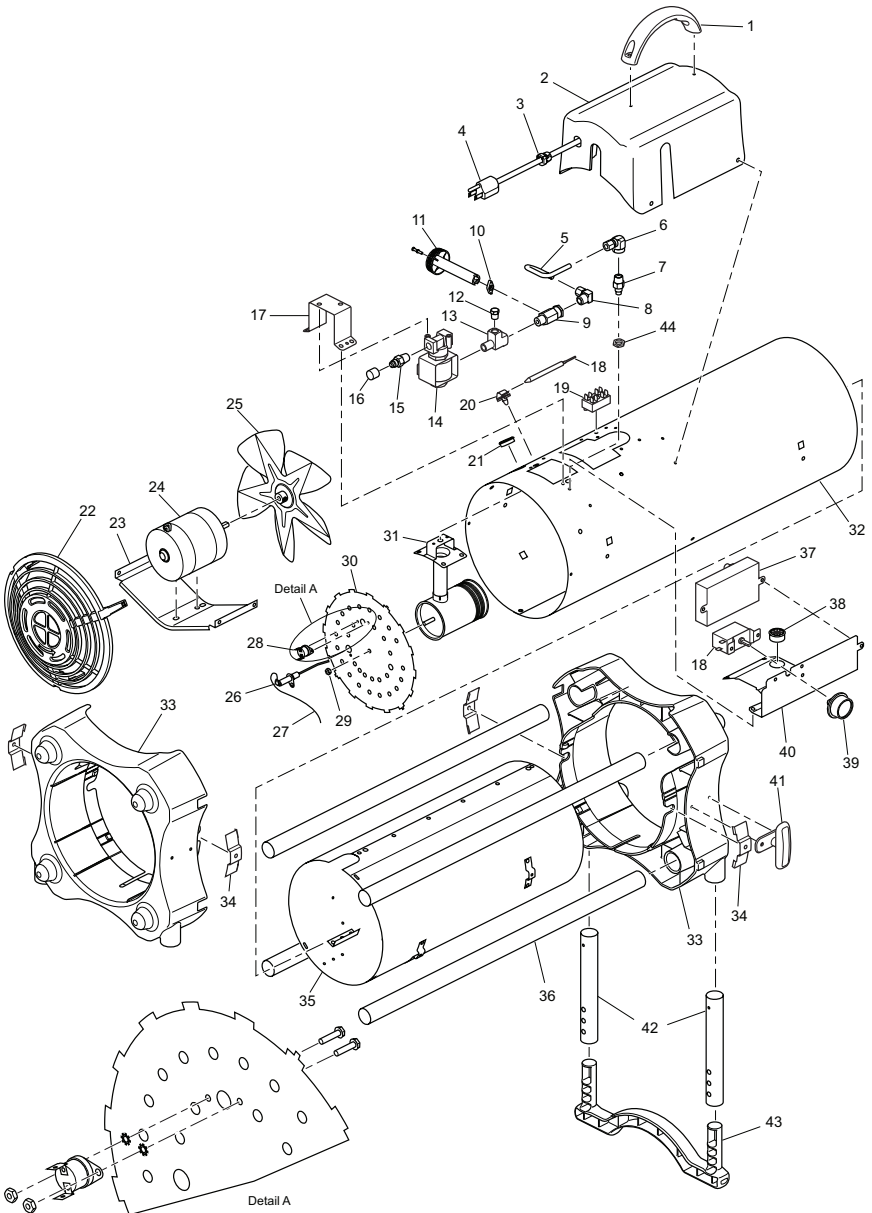
MODÈLES À 85 000 ET 125 000 BTU/H

Cette liste représente les pièces de rechange utilisées dans votre appareil de chauffage. Quand vous commandez des pièces, reportez-vous aux instructions de la section *Pièces de rechange*, à la page 13 de ce manuel.

N°	N° DE PIÈCE	DESCRIPTION	TB102	TB111	TB114	TB101	TB105	TB107	TB112	QTÉ
1	118476-01	Poignée	*	*	*	*	*	*	*	1
2	118472-01	Boîte de contrôle	*	*	*	*	*	*	*	1
3	M11143-2	Bride de cordon	*	*	*	*	*	*	*	1
4	098219-42	Cordon d'alimentation	*	*	*	*	*	*	*	1
5	100145-03	Tuyau de combustible	*	*	*	*	*	*	*	1
6	118796-01	Raccord à compression femelle	*	*	*	*	*	*	*	1
7	114159-05	Assemblage de vanne à tournant sphérique	*	*	*	*	*	*	*	1
	114159-03	Assemblage de vanne à tournant sphérique	*	*	*	*	*	*	*	1
8	113810-01	Insert de vanne à tournant sphérique	*	*	*	*	*	*	*	1
9	118773-01	Bouton de vanne à tournant sphérique	*	*	*	*	*	*	*	1
10	113870-01	Raccord en coude	*	*	*	*	*	*	*	2
11	116981-01	Capuchon de raccord femelle	*	*	*	*	*	*	*	1
12	097155-01	Vanne de contrôle	*	*	*	*	*	*	*	1
13	113869-01	Fixation de raccord	*	*	*	*	*	*	*	1
14	097809-04	Raccord mâle	*	*	*	*	*	*	*	1
15	113794-01	Écrou de vanne	*	*	*	*	*	*	*	1
16	078978-03	Manchon de capuchon	*	*	*	*	*	*	*	1
17	119401-01	Bornier	*	*	*	*	*	*	*	1
18	118506-01	Grille anti-chaueur	*	*	*	*	*	*	*	1
19	113867-01	Mini allumeur Haut-Bas	*	*	*	*	*	*	*	1
20	114150-01	Entretoise d'acier	*	*	*	*	*	*	*	1
21	118802-01	Montage du circuit imprimé	*	*	*	*	*	*	*	3
22	113875-02	Assemblage du relai	*	*	*	*	*	*	*	1
23	118473-01	Grille de protection du ventilateur	*	*	*	*	*	*	*	1
24	118482-01	Montage du moteur	*	*	*	*	*	*	*	1
25	113860-02	Assemblage du moteur	*	*	*	*	*	*	*	1
26	113881-01	Ventilateur 7 po	*	*	*	*	*	*	*	1
	114160-01	Ventilateur 8 po	*	*	*	*	*	*	*	1
27	097805-03	Allumeur	*	*	*	*	*	*	*	1
	097805-04	Allumeur	*	*	*	*	*	*	*	1
28	097806-03	Câble de l'allumeur	*	*	*	*	*	*	*	1
29	101481-04	Interrupteur thermique	*	*	*	*	*	*	*	1
	101481-13	Interrupteur thermique	*	*	*	*	*	*	*	1
30	098249-01	Écrou	*	*	*	*	*	*	*	1
31	118497-01	Plaque arrière	*	*	*	*	*	*	*	1
	118497-03	Plaque arrière	*	*	*	*	*	*	*	1
32	104146-05	Thermocouple	*	*	*	*	*	*	*	1
33	118514-01	Assemblage du brûleur	*	*	*	*	*	*	*	1
	118765-02	Assemblage du brûleur	*	*	*	*	*	*	*	1
34	118685-02	Buse	*	*	*	*	*	*	*	1
	118685-03	Buse	*	*	*	*	*	*	*	1
35	100146-01	Coude femelle	*	*	*	*	*	*	*	1
36	119496-02	Habillage (noir)	*	*	*	*	*	*	*	1
37	118471-01	Embout	*	*	*	*	*	*	*	2
38	119459-01	Fixation de retenue	*	*	*	*	*	*	*	4
39	119497-02	Chambre de combustion	*	*	*	*	*	*	*	1
40	118477-01	Tuyau d'acier	*	*	*	*	*	*	*	4
41	118475-01	Enrouleur de cordon	*	*	*	*	*	*	*	2
42	118478-01	Tube rallonge	*	*	*	*	*	*	*	2
43	118474-01	Pied	*	*	*	*	*	*	*	1
44	119631-01	Écrou	*	*	*	*	*	*	*	1
PIÈCES DISPONIBLES (NON ILLUSTRÉES)										
	M9900-199	Assemblage de fils noirs	*	*	*	*	*	*	*	1
	M9900-200	Assemblage de fils blancs	*	*	*	*	*	*	*	1
	101480-14	Assemblage de fils bleus	*	*	*	*	*	*	*	1
	118774-01	Assemblage du tuyau et du régulateur	*	*	*	*	*	*	*	1
	118774-02	Assemblage du tuyau et du régulateur	*	*	*	*	*	*	*	1
	118687-01	Étiquette d'utilisation	*	*	*	*	*	*	*	1
	118687-03	Étiquette d'utilisation	*	*	*	*	*	*	*	1
	119144-02	Étiquette signalétique du modèle	*	*	*	*	*	*	*	1
	119144-03	Étiquette signalétique du modèle	*	*	*	*	*	*	*	1
	119146-01	Étiquette de câblage	*	*	*	*	*	*	*	1

VUE DÉTAILLÉE DES PIÈCES

MODÈLES TB103, TB108, TB113 À 170,000 BTU/H



LISTE DES PIÈCES

MODÈLES À 170 000 BTU/H

Cette liste représente les pièces de rechange utilisées dans votre appareil de chauffage. Quand vous commandez des pièces, reportez-vous aux instructions de la section *Pièces de rechange*, à la page 11 de ce manuel.

N°	N° DE PIÈCE	DESCRIPTION	TB103	TB108	TB113	QTÉ
1	118476-01	Poignée	•	•	•	1
2	118770-01	Boîte de contrôle	•	•	•	1
3	M11143-2	Bride de cordon	•	•	•	1
4	098219-42	Cordon d'alimentation	•	•	•	1
5	118767-01	Tuyau de combustible	•	•	•	1
6	100146-01	Coude femelle	•	•	•	1
7	118685-04	Buse	•	•	•	1
8	M50114-02	Coude mâle	•	•	•	1
9	114159-04	Assemblage de vanne à tournant sphérique	•	•	•	1
10	113810-01	Insert de vanne à tournant sphérique	•	•	•	1
11	118773-02	Bouton de vanne à tournant sphérique	•	•	•	1
12	098276-01	Fiche	•	•	•	1
13	118768-01	Té mâle-femelle	•	•	•	1
14	098201-01	Électrovanne	•	•	•	1
15	097809-04	Raccord mâle	•	•	•	1
16	078978-03	Manchon de capuchon	•	•	•	1
17	118766-01	Support d'électrovanne	•	•	•	1
18	113944-01	Assemblage du thermostat	•	•	•	1
19	119401-01	Bornier	•	•	•	1
20	099123-01	Pince de thermobulbe	•	•	•	1
21	M50104-02	Bague courte	•	•	•	1
22	118473-01	Grille de protection du ventilateur	•	•	•	1
23	118482-01	Montage du moteur	•	•	•	1
24	113941-02	Assemblage du moteur	•	•	•	1
25	113950-01	Ventilateur	•	•	•	1
26	097805-03	Allumeur	•	•	•	1
27	097806-03	Câble de l'allumeur	•	•	•	1
28	101481-05	Interrupteur thermique	•	•	•	1
29	098249-01	Écrou	•	•	•	1
30	118497-01	Plaque arrière	•	•	•	1
31	118765-02	Assemblage du brûleur	•	•	•	1
32	119496-03	Habillage (noir)	•	•	•	1
33	118471-01	Embout	•	•	•	2
34	119459-01	Fixation de retenue	•	•	•	4
35	119497-03	Chambre de combustion	•	•	•	1
36	118477-02	Tuyau d'acier	•	•	•	4
37	110287-01	Contrôle AED	•	•	•	1
38	097776-01	Douille universelle	•	•	•	1
39	113961-01	Bouton du thermostat	•	•	•	1
40	118919-01	Grille anti-chaueur	•	•	•	1
41	118475-01	Enrouleur de cordon	•	•	•	2
42	118478-02	Tube rallonge	•	•	•	2
43	118474-01	Pied	•	•	•	1
44	119631-01	Écrou	•	•	•	1
PIÈCES DISPONIBLES (NON ILLUSTRÉES)						
	M16841-80	Assemblage de fils blancs	•	•	•	1
	M9900-170	Assemblage de fils noirs	•	•	•	1
	101480-15	Assemblage de fils bleus	•	•	•	1
	116774-03	Assemblage du tuyau et du régulateur	•	•	•	1
	118687-04	Étiquette d'utilisation	•	•	•	1
	119144-04	Étiquette signalétique du modèle	•	•	•	1
	119146-02	Étiquette de câblage	•	•	•	1
	099504-08	Étiquette d'avertissement	•	•	•	1
	110267-02	Harnais de contrôle AED	•	•	•	1

SERVICE DE GARANTIE ET DE RÉPARATION

CONSERVEZ CETTE GARANTIE

Modèle _____

Numéro de série _____

Date d'achat _____

GARANTIES LIMITÉES POUR LES PRODUITS NEUFS ET LES PRODUITS REMIS EN ÉTAT

Produits neufs : DESA Heating Products garantit que cet appareil de chauffage et ses pièces sont exempts de défauts de matériaux et de fabrication et cela pour une durée d'un an à partir de la date du premier achat, lorsque l'appareil de chauffage est utilisé et entretenu en conformité avec les instructions du fabricant. Ces garanties ne protègent que l'acheteur au détail d'origine, lorsqu'une preuve d'achat est fournie.

Appareils de chauffage remis en état : DESA Heating Products garantit que cet appareil de chauffage remis en état en usine et ses pièces sont exempts de défauts de matériaux et de fabrication et cela pour une durée de trente jours à partir de la date du premier achat, lorsque l'appareil de chauffage est utilisé et entretenu en conformité avec les instructions du fabricant. Ces garanties ne protègent que l'acheteur au détail d'origine, lorsqu'une preuve d'achat est fournie.

Ces garanties ne couvrent que le coût des pièces et de la main d'œuvre requis pour restaurer le produit à son état de fonctionnement normal. Le transport et les frais incidents associés aux réparations sous garantie ne sont pas remboursables sous cette garantie.

Les réparations sous garantie ne sont disponibles que par l'intermédiaire de revendeurs et de réparateurs agréés.

Cette garantie ne couvre pas les défauts causés par la mauvaise utilisation, l'abus, la négligence, les accidents, le manque d'entretien adéquat, l'usure normale, les modifications, les altérations, le trafic, les combustibles contaminés, les réparations avec des pièces inadéquates ou les réparations par quelqu'un d'autre qu'un revendeur ou un centre de service autorisé. L'entretien de routine est la responsabilité du propriétaire.

CETTE GARANTIE EXPRESSE REMPLACE TOUTE AUTRE GARANTIE EXPRESSE OU IMPLICITE, Y COMPRIS LES GARANTIES DE COMMERCIALITÉ ET D'ADÉQUATION À UN BESOIN PARTICULIER.

DESA Heating Products n'assume aucune responsabilité pour les dommages indirects, imprévus ou incidents. Certains états ou provinces ne permettent pas l'exclusion ou la restriction des dommages imprévus ou incidents et certaines restrictions ou exclusions pourraient ne pas s'appliquer à votre cas. Cette garantie limitée vous donne des droits spécifiques selon la loi ; vous pourriez aussi avoir d'autres droits selon l'état ou la province où vous habitez.

Nous nous réservons le droit de modifier ces spécifications à tout moment sans préavis. La seule garantie valable est notre garantie écrite standard. Nous n'offrons aucune autre garantie, expresse ou implicite.

RÉPARATION SOUS GARANTIE

Si votre appareil de chauffage a besoin de réparation, retournez-le au centre de service autorisé le plus près de chez vous. Une preuve d'achat doit être présentée avec l'appareil de chauffage. L'appareil de chauffage sera inspecté. Un défaut peut être causé par des matériaux défectueux ou un vice de fabrication. Si tel est le cas, DESA Heating Products réparera ou remplacera l'appareil de chauffage sans frais.

SERVICE DE RÉPARATIONS

Retournez votre appareil de chauffage au centre de service autorisé le plus proche de chez vous. Les réparations non couvertes par la garantie seront facturées aux prix normaux. Chaque centre de service est autonome. Nous nous réservons le droit de modifier ces spécifications à tout moment sans préavis. Quand vous écrivez, incluez le numéro de modèle et le numéro de série. Pour obtenir des informations, écrivez à :

DESA[™]
INDOOR/OUTDOOR PRODUCTS
2701 Industrial Drive
P.O. Box 90004
Bowling Green, KY 42102-9004, USA

DESA[™]
INDUSTRIES OF CANADA, INC.
82 Akron Road
Toronto, Ontario
M8W 1T2



119143 01
NOT A UPC

119143-01
Rev. A
06/06

Free Manuals Download Website

<http://myh66.com>

<http://usermanuals.us>

<http://www.somanuals.com>

<http://www.4manuals.cc>

<http://www.manual-lib.com>

<http://www.404manual.com>

<http://www.luxmanual.com>

<http://aubethermostatmanual.com>

Golf course search by state

<http://golfingnear.com>

Email search by domain

<http://emailbydomain.com>

Auto manuals search

<http://auto.somanuals.com>

TV manuals search

<http://tv.somanuals.com>