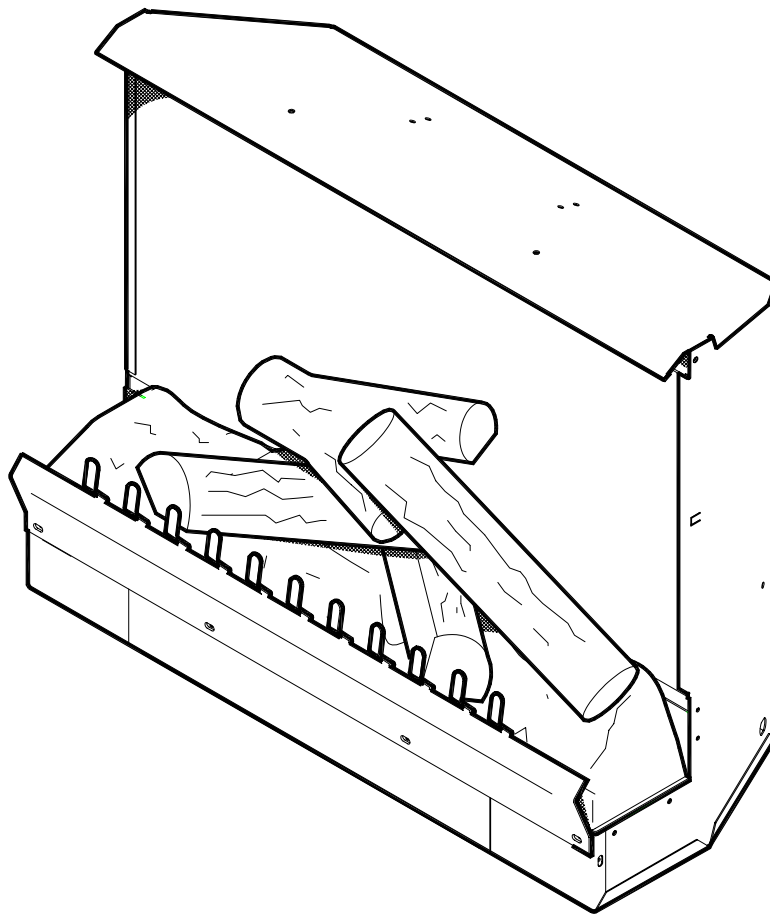


# PARTS AND SERVICE MANUAL FOR THE 23" INSERT FIREPLACE

MODEL NUMBER:

**HFPI9280**

**DFPI2311**



**Dimplex<sup>®</sup>**

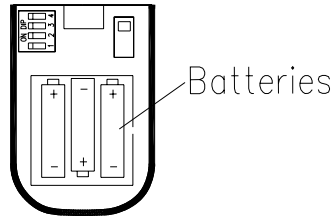
# TABLE OF CONTENTS

<b>OPERATION</b>	<b>PAGE 1</b>
<b>PARTS DRAWING</b>	<b>PAGE 5</b>
<b>PARTS LIST</b>	<b>PAGE 6</b>
<b>WIRING SCHEMATICS</b>	<b>PAGE 7</b>
<b>LIGHT BULB REPLACEMENT</b>	<b>PAGE 8</b>
<b>MANUAL CONTROL ON/OFF SWITCH REPLACEMENT</b>	<b>PAGE 9</b>
<b>FLAME MOTOR/FLAME ROD REPLACEMENT</b>	<b>PAGE 10</b>
<b>POWER CORD REPLACEMENT</b>	<b>PAGE 12</b>
<b>HEATER ASSEMBLY REPLACEMENT</b>	<b>PAGE 13</b>
<b>REMOTE CONTROL CIRCUIT BOARD REPLACEMENT</b>	<b>PAGE 14</b>
<b>HEATER DISABELER SWITCH REPLACEMENT</b>	<b>PAGE 15</b>

## OPERATION

### Initializing The Remote Control

1. Turn on the electrical power at the circuit breaker.
2. Slide open the battery cover on the back of the remote transmitter.
3. Install three AAA batteries into the remote control. Replace the battery cover.



### Note:

The LCD display will flash when new batteries are inserted.

4. Move the remote transmitter close to the fireplace (less than five feet preferred). Press any button on the remote control. The remote is transferring the code to the receiver built into the fireplace.
5. Set the clock by depressing the button marked clock on the transmitter for five seconds. The hour display will flash.
6. Use the up and down buttons to set the hour.
7. Press the clock button again and the minute display will flash.
8. Use the up and down buttons to set the minute.
9. Press the clock button again and the  $^{\circ}\text{F}$  or  $^{\circ}\text{C}$  display will flash.
10. Use the up and down buttons to select the remote to display temperature in  $^{\circ}\text{F}$  or  $^{\circ}\text{C}$
11. Press the clock button again. The remote control is now ready for operation.

### Remote Control Operation

#### Warning

It takes some time for the receiver to respond to the transmitter. Do not press the buttons more than once within two seconds for correct operation.

#### Flame Mode

##### Note

When flame mode is activated the flame will turn on only.

##### Note

When the flame button is pressed the display screen will display the flame status on or off.

#### To turn the flame on:

1. Press the FLAME button once.
2. The display screen will read OFF.
3. Press the FLAME button turn the flame on.

#### To turn the flame off:

1. Press the FLAME button once.
2. The display screen will read ON.
3. Press the FLAME button to turn the flame OFF.

## **Auto Mode**

### **Note**

When auto mode is activated the flame and heat will turn on. The heater will turn on and off to keep the room temperature the same as the remote controls set temperature.

1. Use the UP and DOWN buttons to set the desired target temperature.
2. Press the AUTO/OFF button once to activate the auto mode. In auto mode the remote transmitter will automatically turn on the flame and heater when the room temperature is below the target temperature and turn off the heater ONLY when the room temperature is above the target temperature.
3. Press the AUTO/OFF button to turn off the heater and flame (if it is already on) and exit the auto mode.

## **Sleep Mode**

1. You can set the timer to the length of time you want the heater to operate (1 to 120 minutes).
2. Press the TIMER button once. The timer display will blink ---
3. Press the UP and DOWN buttons to adjust the timer display in minutes.
4. Press the TIMER button once to set the timer.
5. The timer setting can be reset by pressing the TIMER button and using the DOWN button until the timer display reads ----, press the TIMER button once to set the timer.
6. Press the AUTO/OFF button to turn on the heater.
7. The heater will turn off at the end of the timer setting.

## **Child Proof Function**

1. Remove the battery cover on the back of the remote control.
2. Slide the small blue switch down to activate the child proof function.
3. Child Proof will appear on the display screen and all function on the remote will be locked.
4. To enable normal remote control operation when the child proof function is activated, press the up and down buttons in the following sequence, UP-DOWN-DOWN-UP-DOWN the remote functions will now operate normally. The remote will return to the child proof function if buttons are not pressed after two minutes.
5. To disable the child proof function remove the battery cover on the back of the remote and slide the small blue switch up.

## **Batteries**

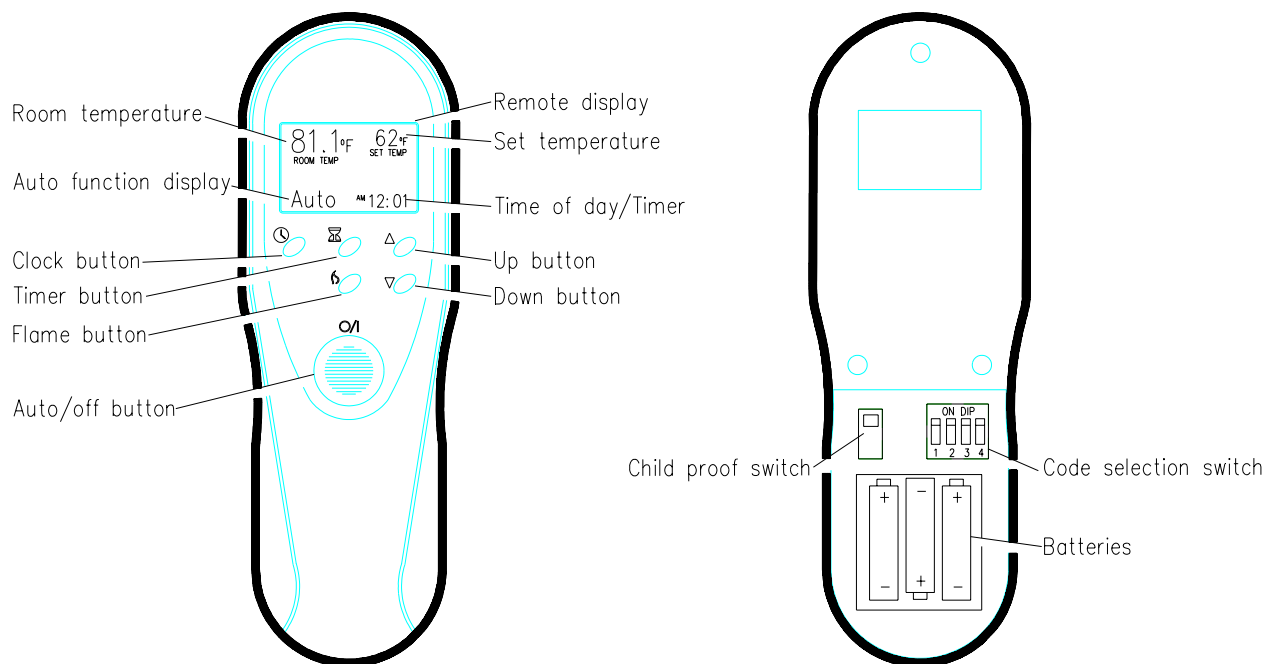
1. The remote control uses 3 AAA size batteries. Replace these batteries at least every 6 months or when the low battery appears on the remote display screen.
2. When batteries are removed wait at least 1 minute before replacing with new batteries.

### Code selection

If the current remote control is interfering with the operation of other remote control devices (TV, VCR, garage doors etc.) The code can be changed on the remote.

### To change code:

1. Remove the battery cover on the back of the remote control.
2. Slide the four small switches to any configuration other than the factory set code.
3. Remove the batteries, wait for one minute.
4. Install the batteries.
5. Install the battery cover onto the remote.
6. Reinitialize the remote to match the new code to the masonry insert.



## OPERATION

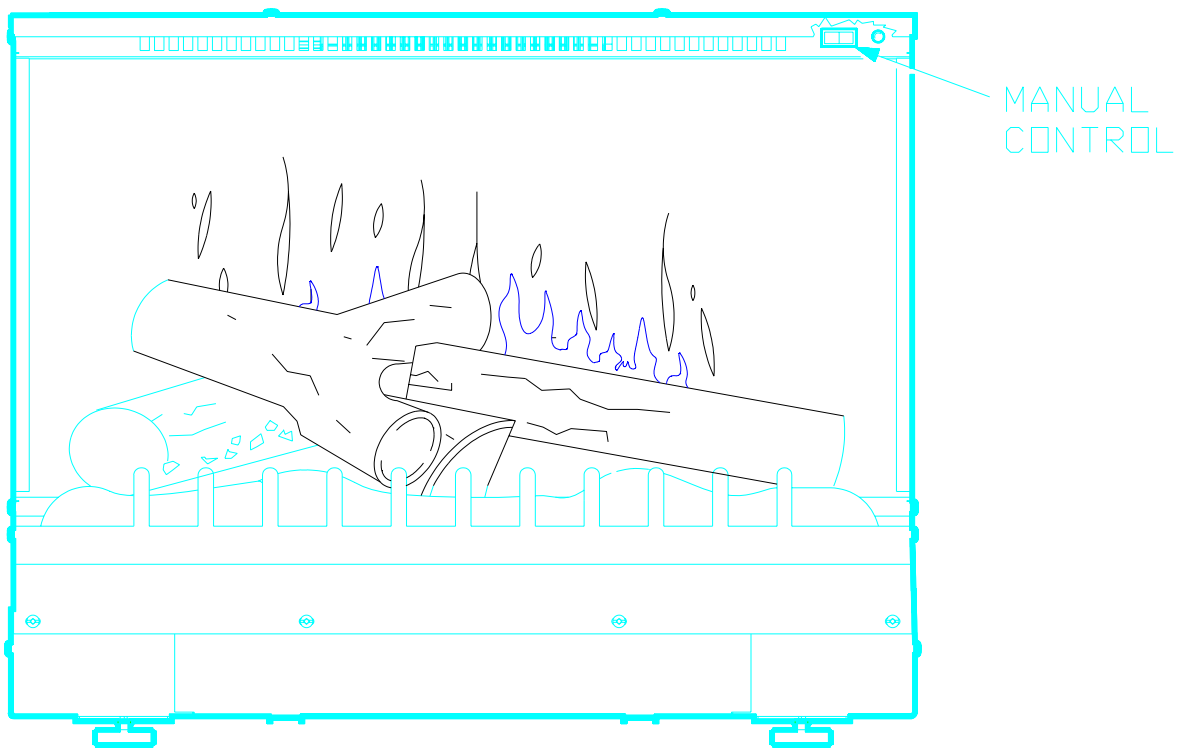
### Masonry Insert Manual Control

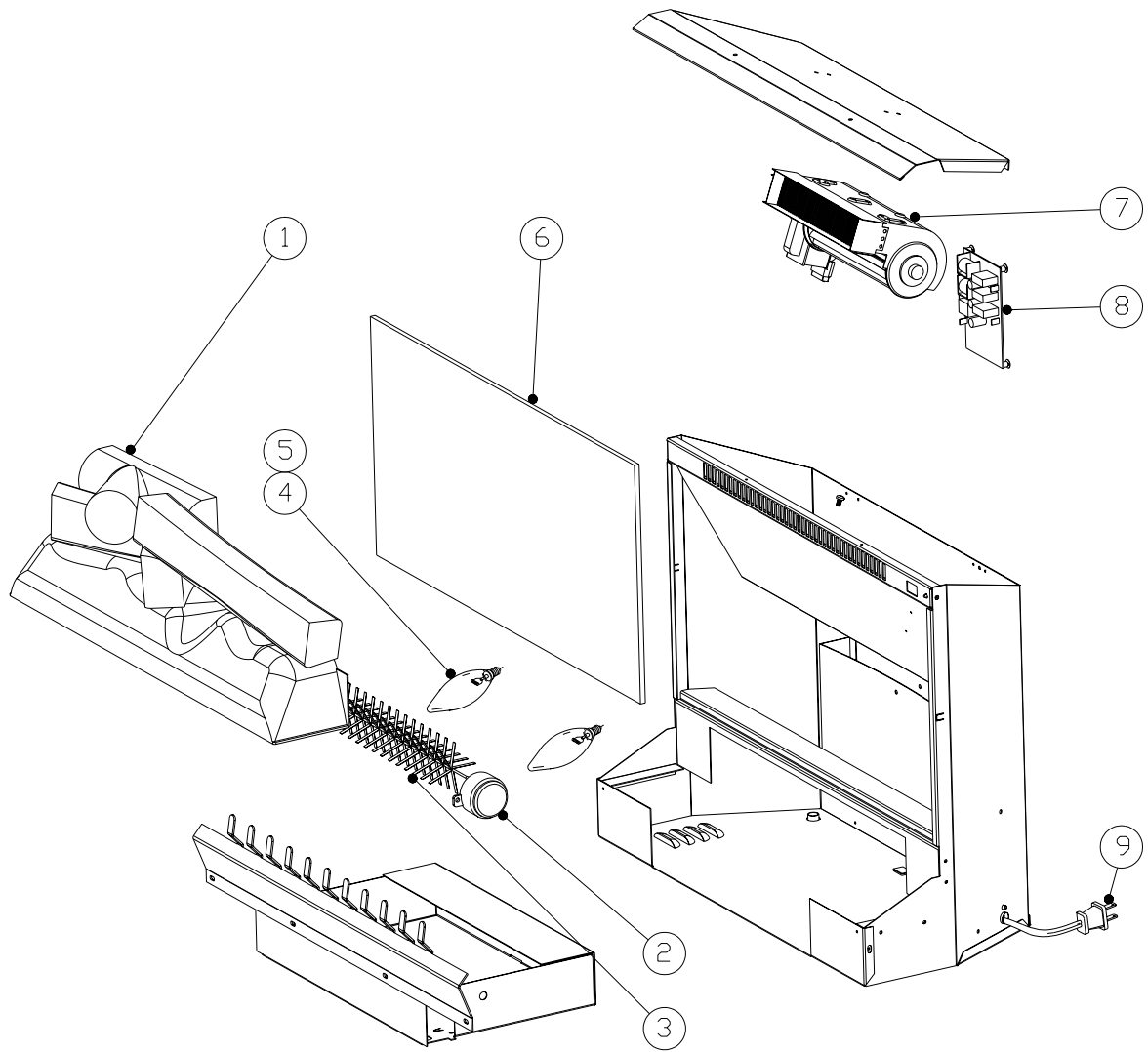
1. The masonry insert has a manual power ON/OFF switch located in the upper corner of the unit.
2. To operate press the switch once, to turn the unit on. A red light will illuminate to indicate the power is on. Press the switch again to turn the unit off.

#### **Note**

When the manual power switch is used the heater will run.

The manual ON/OFF switch is to be used only when the remote transmitter is OFF.





HFPI9280, DFPI2311

## REPLACEMENT PARTS

23" FIREPLACE INSERT

**CATALOGUE NO.**  
**PART NO.**  
**MOD LEVEL:**  
**MADE IN:**

**HFPI9280, DFPI2311**  
**6900770259, 6900770159**  
**A**  
**CANADA**

### REPLACEMENT PART

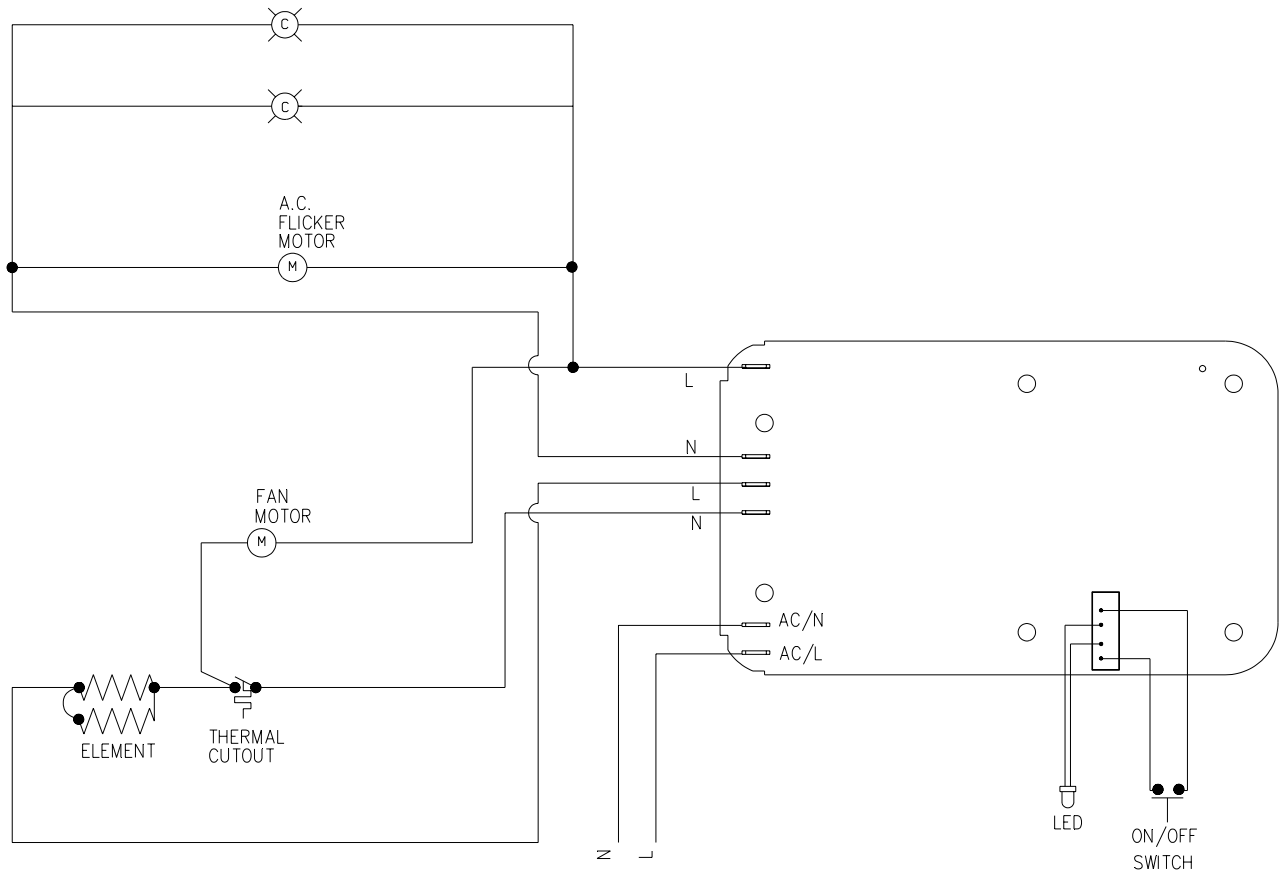
1. LOG SET
2. FLICKER MOTOR
3. REFLECTOR ASSEMBY
4. LAMPHOLDER
5. BULB, 60W 120V
6. MIRROR
7. HEATER ASSEMBLY
8. CIRCUIT BOARD
9. CORD SET
10. REMOTE CONTROL

### REPLACEMENT PART NO.

0438200200RP  
2000140500RP  
5900080600RP  
2500140100RP  
4200020100RP  
5900170100RP  
2000170300RP  
3000210100RP  
4100040400RP  
3000210300RP



# WIRING DIAGRAM



WIRING SCHEMATIC

## LIGHT BULB REPLACEMENT

The light bulbs need to be replaced when you notice a dark section of the flame. There are two bulbs under the log set which generate the flames and embers.

### Warning

Disconnect the power before attempting any maintenance or cleaning to reduce the risk of fire, electric shock or damage to persons.

### Warning

Allow at least 10 minutes for the light bulbs and heater to cool before attempting any maintenance or cleaning.

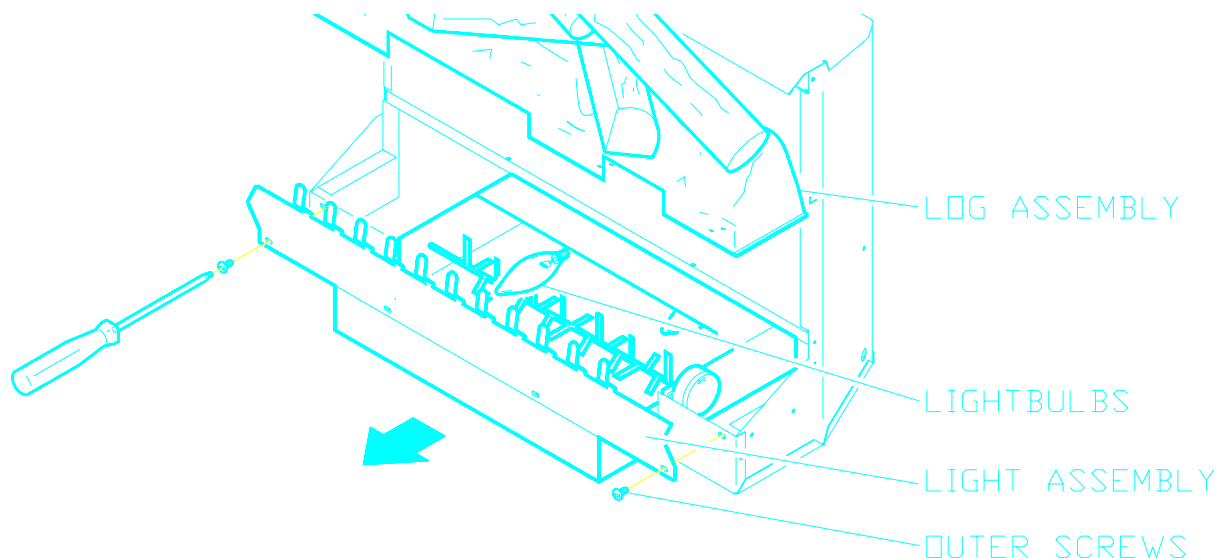
### Bulb Requirements

Quantity 2 clear chandelier or candelabra bulbs with an E-12 (small) socket base, 60 watt rating. Example GE 60BC or Philips 60CTC.

### Tools required:

Slot screw driver

1. Remove the fireplace trim.
2. With a slot screw driver remove the two outer screws from the log grate.
3. Slide the light assembly out of the insert by pulling the log grate until the light assembly reaches the stop (approximately 2")
4. Remove the log set by lifting straight up.
5. Examine the bulb(s) to determine which bulb(s) require replacement.
6. Unscrew the bulbs counter clockwise.
7. Insert new bulbs.
8. Replace the log set into the insert.
9. Slide the light assembly back into the insert.
10. Install the two outer screws into the log grate.
11. Reinstall the fireplace trim.



HFPI9280, DFPI2311

If the unit was operating prior to servicing allow at least 10 minutes for light bulbs and heating element to cool off to avoid accidental burning of skin.

Disconnect power before attempting any maintenance or cleaning to reduce the risk of electric shock or damage to persons.

### **TO REPLACE MANUAL CONTROL ON/OFF SWITCH**

1. Remove the glass doors and trim from the unit and remove it from the opening.
2. Unscrew the screws located in the middle of the top and the two screws at the back of the top.
3. Remove the top being careful not to damage any of the attached wiring.
4. Disconnect the wiring switch harness from the circuit board by gently pulling.
5. Locate and remove the manual control on/off switch located in the front corner of the unit by depressing the retainer clips on the rear of the switch and pushing the switch out of the front of the unit.
6. Properly orientate the new switch and connect all of the wiring clips and connections.
7. Reassemble in the reverse order as above.

HFPI9280, DFPI2311

If the unit was operating prior to servicing allow at least 10 minutes for light bulbs and heating element to cool off to avoid accidental burning of skin.

Disconnect power before attempting any maintenance or cleaning to reduce the risk of electric shock or damage to persons.

### **TO REPLACE FLAME MOTOR/FLAME ROD**

1. Remove the glass doors and trim from the unit and remove it from the opening.
2. Unscrew the screws located in the middle of the top and the two screws at the back of the top.
3. Remove the top being careful not to damage any of the attached wiring.
4. Remove the screws from top left hand and right hand sides.
5. Remove the screws from the middle of the back panel.
6. Gently lift the inner panel up just enough to gain access to the front glass.
7. Locate and remove the front glass by pulling it out of the slots being careful not to bump or drop it.
8. Locate the flame motor and flame rod assembly, remove the motor mounting screws with a short handled screw driver.
9. With needle nose pliers grasp the motor wiring strain relief grommet from inside the cover and push while twisting to remove.
10. Locate and remove the wiring connections and remove the flame rod and flame motor assembly.

**NOTE:** When removing the flame motor some damage may occur to the flame rod. If flame rod is damaged replace to insure proper operation.

11. To remove the flame rod attach needle nose pliers to the spring on the motor shaft and pull while rotating in the opposite direction of the spring winding.
12. To replace the flame rod attach needle nose pliers to the flame rod spring and push onto the flame motor shaft while rotating in the opposite direction of the spring winding.
13. Properly orientate the flame motor and connect all of the wiring clips connections in their original locations.

HFPI9280, DFPI2311

If the unit was operating prior to servicing allow at least 10 minutes for light bulbs and heating element to cool off to avoid accidental burning of skin.

Disconnect power before attempting any maintenance or cleaning to reduce the risk of electric shock or damage to persons.

#### **TO REPLACE FLAME MOTOR/FLAME ROD**

14. Install the flame motor strain relief grommet on the motor wiring and insert into the hole in the cover.
15. Reassemble in the reverse order as above.

HFPI9280, DFPI2311

If the unit was operating prior to servicing allow at least 10 minutes for light bulbs and heating element to cool off to avoid accidental burning of skin.

Disconnect power before attempting any maintenance or cleaning to reduce the risk of electric shock or damage to persons.

### **TO REPLACE POWER CORD**

1. Remove the glass doors and trim from the unit and remove it from the opening.
2. Unscrew the screws located in the middle of the top and the two screws at the back of the top.
3. Remove the top being careful not to damage any of the attached wiring.
4. Remove the screws from top left hand and right hand sides.
5. Remove the screws from the middle of the back panel.
6. Gently lift the inner panel up just enough to gain access to the front glass.
7. Locate and remove the front glass by pulling it out of the slots being careful not to bump or drop it.
8. With needle nose pliers grasp the power cord strain relief grommet from inside the cover and push while twisting to remove.
9. Remove the power cord wiring connections from the circuit board being careful not to damage the terminal connections.
10. Install the new power cord through the hole in the cover and connect all of the wiring connections in their original locations.
11. Install the power cord retaining grommet on the power cord and insert into the hole in the cover.
12. Reassemble in the reverse order as above.

HFPI9280, DFPI2311

If the unit was operating prior to servicing allow at least 10 minutes for light bulbs and heating element to cool off to avoid accidental burning of skin.

Disconnect power before attempting any maintenance or cleaning to reduce the risk of electric shock or damage to persons.

### **TO REPLACE THE HEATER ASSEMBLY**

1. Remove the glass doors and trim from the unit and remove it from the opening.
2. Unscrew the screws located in the middle of the top and the two screws at the back of the top.
3. Remove the top being careful not to damage any of the attached wiring.
4. Remove the heater mounting screws from the top of the unit.
5. Disconnect the wiring clips and connections noting their original locations and remove the heater assembly.
6. Properly orientate the replacement heater assembly and connect all of the wiring clips connections in their original locations.
7. Reassemble in the reverse order as above.

HFPI9280, DFPI2311

If the unit was operating prior to servicing allow at least 10 minutes for light bulbs and heating element to cool off to avoid accidental burning of skin.

Disconnect power before attempting any maintenance or cleaning to reduce the risk of electric shock or damage to persons.

### **TO REPLACE THE REMOTE CONTROL CIRCUIT BOARD**

1. Remove the glass doors and trim from the unit and remove it from the opening.
2. Unscrew the screws located in the middle of the top and the two screws at the back of the top.
3. Remove the top being careful not to damage any of the attached wiring.
4. Locate the remote control circuit board mounted to the back of the unit and remove the wiring connections noting their original locations.
5. Depress the ends of the four plastic mounting posts with pliers.
6. Remove the remote control circuit board from the unit.
7. Properly orientate the replacement circuit board and connect all of the wiring clips connections in their original locations.
8. Reassemble in the reverse order as above.



HFPI9280, DFPI2311

If the unit was operating prior to servicing allow at least 10 minutes for light bulbs and heating element to cool off to avoid accidental burning of skin.

Disconnect power before attempting any maintenance or cleaning to reduce the risk of electric shock or damage to persons.

### **TO REPLACE THE HEATER DISABLER SWITCH**

1. Remove the glass doors and trim from the unit and remove it from the opening.
2. Unscrew the screws located in the middle of the top and the two screws at the back of the top.
3. Remove the top being careful not to damage any of the attached wiring.
4. Locate and remove the heater disabler switch located on the side of the unit by depressing the retainer clips on the rear of the switch and pushing the switch out of the front of the unit.
5. Disconnect the wiring clips and connections noting their original locations and remove the heater assembly.
6. Properly orientate the new switch and connect all of the wiring clips and connections.
7. Reassemble in the reverse order as above.

## Free Manuals Download Website

<http://myh66.com>

<http://usermanuals.us>

<http://www.somanuals.com>

<http://www.4manuals.cc>

<http://www.manual-lib.com>

<http://www.404manual.com>

<http://www.luxmanual.com>

<http://aubethermostatmanual.com>

Golf course search by state

<http://golfingnear.com>

Email search by domain

<http://emailbydomain.com>

Auto manuals search

<http://auto.somanuals.com>

TV manuals search

<http://tv.somanuals.com>