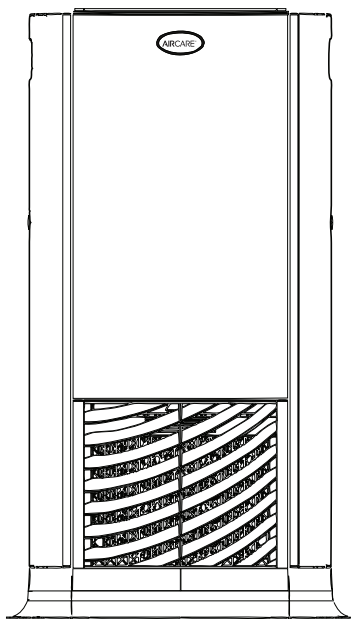


READ AND SAVE THESE INSTRUCTIONS

AIRCARE®

MINI-CONSOLE EVAPORATIVE HUMIDIFIER MODEL D46720 USE AND CARE GUIDE

- ▶ Auto Humidistat
- ▶ Four Speed Fan
- ▶ Dual water bottles



Français9
Español17

TO ORDER PARTS AND ACCESSORIES CALL 1.800.547.3888

COMFORT IS IN THE AIR

IMPORTANT SAFEGUARDS

General Safety Instructions

READ BEFORE USING YOUR HUMIDIFIER

DANGER: means if the safety information is not followed someone will be seriously injured or killed.

WARNING: means if the safety information is not followed someone could be seriously injured or killed.

CAUTION: means if the safety information is not followed someone may be injured.

1. To reduce the risk of fire or shock hazard, this humidifier has a polarized plug (one blade is wider than the other). Plug humidifier directly into a 120V, A.C. electrical outlet. Do not use extension cords. If the plug does not fully fit into the outlet, reverse plug. If it still does not fit, contact a qualified electrician to install the proper outlet. Do not change the plug in any way.
2. Keep the electric cord out of traffic areas. To reduce the risk of fire hazard, never put the electric cord under rugs, near heat registers, radiators, stoves or heaters.
3. Always unplug the unit before moving, cleaning or removing the fan assembly section from the humidifier, or whenever it is not in service.
4. Keep the humidifier clean. To reduce the risk of injury, fire or damage to humidifier, use only cleaners specifically recommended for humidifiers. Never use flammable, combustible or poisonous materials to clean your humidifier
5. Do not put foreign objects inside the humidifier.
6. Do not allow unit to be used as a toy. Close attention is necessary when used by or near children.
7. To reduce the risk of electrical hazard or damage to humidifier, do not tilt, jolt or tip humidifier while unit is running.
8. To reduce the risk of accidental electrical shock, do not touch the cord or controls with wet hands.
9. To reduce the risk of fire, do not use near an open flame such as a candle or other flame source.

WARNING: For your own safety, do not use humidifier if any parts are damaged or missing.

WARNING: To reduce risk of fire, electric shock, or injury always unplug before servicing or cleaning.

WARNING: To reduce the risk of fire or shock hazard, do not pour or spill liquid into control or motor area. If controls get wet, let them dry completely and have unit checked by authorized service personnel before plugging in.

INTRODUCTION

Your new humidifier adds invisible moisture to your home by moving dry inlet air through a saturated wick. As air moves through the wick, the water evaporates into the air, leaving behind any white dust, minerals, or dissolved and suspended solids. Because the water is evaporated, there is just clean and invisible moist air.

As the evaporative wick traps accumulated minerals from the water, its ability to absorb and evaporate water decreases. We recommend changing the wick at the beginning of every season. In hard water areas, more frequent replacement may be necessary to maintain your humidifier's efficiency.

Use only AIRCARE® or Essick Air® brand replacement wicks and chemicals. To order parts, wicks and chemicals call 1-800-547-3888. This humidifier uses two wicks # 1040. Only the AIRCARE® or Essick Air® evaporative wick guarantees the certified output of your humidifier. Use of other brands of wicks voids the certification of output and may void your warranty.

HOW YOUR HUMIDIFIER WORKS

Your new evaporative humidifier is designed to satisfy home humidity requirements through the principle of evaporation of water in the air.

Once the wick becomes saturated, air is drawn in, passes through the wick and moisture is absorbed into the air. All evaporation occurs in the humidifier so any residue remains in the wick.

This natural process of evaporation creates no white dust like some other humidifiers

Description	D46720
*Output per 24 hrs	6 gallons
Water Capacity	2 Gallons
Sq. ft. coverage	2000 (Tight Constr.) 1300 (Avg. Constr.)
Fan Speeds	4
Replacement Wicks (2 required)	1040
Auto Humidistat	Yes
Controls	Digital
ETL Listed	Yes
Volts	120
Hertz	60
Watts	40

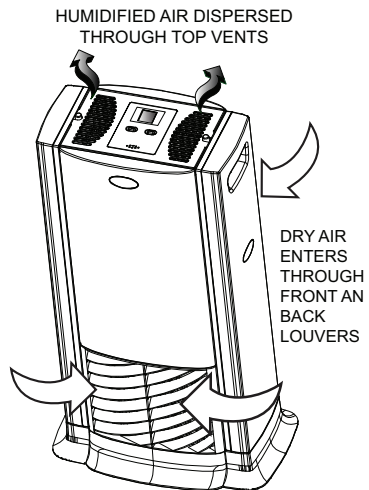
* Based on an area with average insulation and an 8' ceiling height.

NOTES ON LOCATION:

In order to get the most effective use from your humidifier, it is important to position the unit where the most humidity is needed or where the moist air will be circulated throughout the house such as near a cold air return. If the unit is positioned close to a window, condensation may form on the window pane. If this occurs the unit should be repositioned in another location.

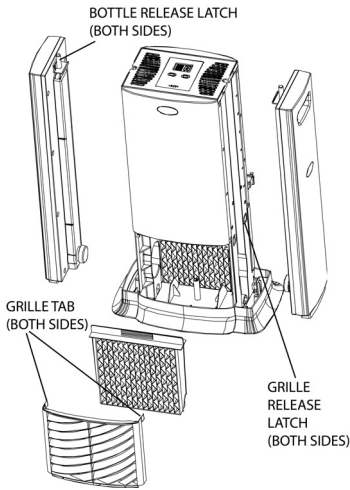
Do NOT position the unit directly in front of a hot air duct or radiator. Do NOT place on soft carpet.

Due to release of cool, moist air from the humidifier, it is best to direct air away from thermostat and hot air registers. Position humidifier next to an inside wall on a level place at least 4 inches away from the wall or curtains.



ASSEMBLY

- 1) Unpack humidifier from carton.
- 2) Remove all packaging material from humidifier.
- 3) **ENSURE THERE IS NO PLASTIC WRAP IS AROUND WICKS.**



Replacement Parts Available For Purchase

Description	Part Number
Water bottles	1B71663
Bottle caps	1B71664
Front Grille	1B71665
Back Grille	1B71666
Bottle release latch	1B72089
Wick grille clip	1B71877
Wicks (2)	1040
Manual (not shown)	1B72897

To order parts or accessories please call 1-800-547-3888. Please have humidifier serial number when you call.

WATER FILL

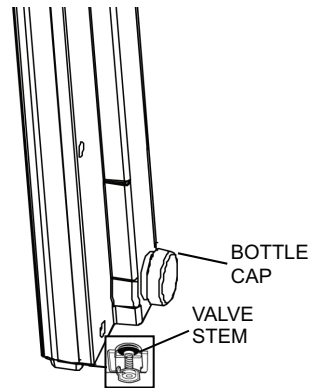
CAUTION: Before filling, ensure unit is turned OFF.

- 1) Remove the water bottle by pressing in on the latch on top of the bottle.
- 2) Locate the valve stem mechanism on the bottom of the bottle and **inspect to ensure it is not damaged in any way.**

CAUTION: The valve supplies a regulated amount of water to the channel and wick. DO NOT attempt to increase water flow by modifying the valve or adding additional holes to the bottle. Doing so voids your warranty and may cause water damage to your home.

NOTE: Do not fill bottle with warm water, as this might damage the unit. When filling, be careful not to overfill. Always leave a little air space at the top.

- 3) Remove the bottle fill cap and fill bottle by placing the opening under the faucet. Fill with cool tap water or bottled distilled water. If you only have softened water available, you may use it, but you will notice mineral buildup on the wick much sooner.
- 4) Upon first fill-up, it will take approximately 30 minutes for the wicks to absorb the water from the base of the unit. After initial saturation, the tank should be refilled again for maximum running time. Refill the bottle when the refill indication illuminates.



CAUTION: Do not spill water on fan motor. Electrical components must be kept dry.

NOTE: We recommend using AIRCARE® or Essick Air® Bacteriostat Treatment when you refill the water reservoir to eliminate bacterial growth. Add bacteriostat according to the instructions on the bottle.

Under no circumstances should you use Water Treatment products intended for Rotobelt or Ultrasonic humidifiers.

IMPORTANT: Water damage may result if condensation starts to form on windows or walls. Humidity SET point should be lowered until condensation no longer forms. We recommend room humidity levels do not exceed 50%.

When Outdoor Temperature is:		Recommended Indoor Relative Humidity (RH) is
°F	°C	
-20	-30°	15 - 20%
-10°	-24°	20 - 25%
2°	-18°	25 - 30%
10°	-12°	30 - 35%
20°	-6°	35 - 40%
30°	-1°	40 - 45%

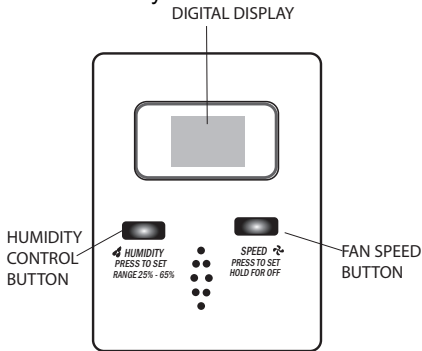
*Model 1990 digital hygrometer is available for purchase by calling 1-800-547-3888.

NOTE: External hygrometer readings and humidistat readings may differ. Humidity levels can vary significantly even in one room.

OPERATION

Plug cord into wall receptacle. Your humidifier is now ready for use. The humidifier should be placed at least FOUR inches away from any walls and away from heat registers. Unrestricted airflow into the unit will result in the best efficiency and performance.

NOTE: This unit has an automatic humidistat located on the cord that senses the humidity level around the immediate area of the humidifier. It turns the humidifier on when the relative humidity in your home is below the humidistat setting and will turn the humidifier off when the relative humidity reaches the humidistat setting.



CONTROL PANEL TO TURN ON/OFF

For initial operation, plug the unit in (the display will show - -). Press the speed button and hold for 5 seconds to turn the unit on or off.

FAN SPEED

The D46720 has a four speed digital control panel.

- 1) Press the SPEED button to adjust the fan speeds.
- 2) The speeds: High (F4) - Low (F1) display on the digital panel.

HUMIDITY CONTROL

- 3) The hygrometer on the cord reads the current room humidity and displays the percentage on LCD panel.
- 4) To set the desired humidity, press the HUMIDITY button. Each successive push increases the humidity in 5% increments. The range is 25% to 65%.
- 5) **At 65% the humidifier will run constantly until it runs out of water.**

NOTE: If excessive condensation occurs, reduce fan to a lower speed setting.

REFILL INDICATION

- 1) When the unit is out of water, the motor shuts off and a flashing **F** will display on the display panel.

NOTE: The motor will turn on again when unit is refilled.



Water Refill Display

CHECK FILTER

The ability of any humidifier to efficiently supply humidity output relies heavily on the condition of the filter. As the filter loads with impurities it gradually loses its wicking capability. When this happens, moisture output is reduced and the humidifier has to work longer to satisfy the selected setting.

- 1) This humidifier has a check filter reminder timed to appear after 720 hours of operation. When the Check Filter (CF) message is displayed, disconnect the power cord and check the condition of the filter. If a build-up of deposits or severe discoloration is evident replace the filter to restore maximum efficiency.
- 2) The CF function is reset after plugging the unit back in.



Check Filter
Function Display

CONTROL LOCK FEATURE



Control Lock
Display

To avoid unwanted tampering with the humidifier settings the controls can be locked.

ACTIVATION PROCEDURE

After the humidifier functions have been set up, hold the Speed and Humidity buttons down for 5 seconds. The display will show “CL” for 2 seconds;

Release the power button and the control will resume the display of the room humidity. The humidifier will continue to function with the locked in settings. If buttons are operated while “CL” is active, the “CL” is displayed and settings are unaffected.

DEACTIVATION PROCEDURE

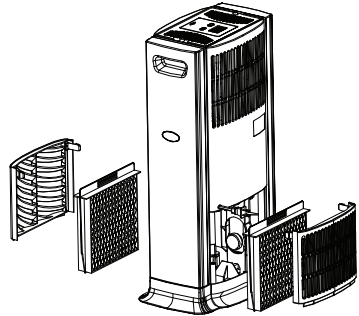
To deactivate the “CL” function simply press and hold both buttons for 5 seconds. “CL” will flash at the rate of 1 second on and 1 second off for a period of 2 seconds and then resume the display of room humidity.

REPLACEMENT OF WICK

CAUTION: Before changing wick, ensure unit is turned OFF and unplugged.

NOTE: This unit uses 2 model 1040 wicks. Replace the wick at the beginning of each season, and more often in areas with hard water.

- 1) Remove both bottles.
- 2) Depress both latches to remove grille and wicks.
- 3) Replace wicks and grille, latches will snap in place.
- 4) Replace bottles to original position.



CARE AND MAINTENANCE

Cleaning your humidifier regularly helps eliminate odors and bacterial and fungal growth. Ordinary household bleach is a good disinfectant and can be used to wipe out the humidifier base and bottle/reservoir after cleaning. We recommend cleaning your humidifier at least once every two weeks to maintain optimum environmental conditions for your home.

We also recommend using AIRCARE® or Essick Air® Bacteriostat Treatment each time you refill your humidifier to eliminate bacterial growth. Add bacteriostat according to the instructions on the bottle. Please call 1-800-547-3888 to order Bacteriostat Treatment, part number 1970.

- 1) Turn off unit completely and unplug from outlet.
- 2) Carry base and bottles to cleaning basin and remove bottles.
- 3) Lift wicks from the base allowing the water to drain. Rinse the wicks under fresh water only. Do not use soap, detergent, or any other cleaners on the wick. Leave in sink to drain

REMOVING SCALE

- 4) Empty the water from the base and bottles. Fill bottles and base $\frac{1}{2}$ full with water and add 4 oz. ($\frac{1}{2}$ cup) of white vinegar. Let stand 20 minutes, then empty solution.
- 5) Dampen a soft cloth with white vinegar and wipe out the base to remove scale. Rinse the bottles and base thoroughly with fresh water to remove scale and cleaning solution before disinfecting.

DISINFECTING UNIT

- 6) Fill the bottles $\frac{1}{2}$ full with water and add 1 teaspoon of bleach. Wipe all surfaces on cabinet with a soft cloth dampened with solution. Let solution stay for 20 minutes then rinse with water until bleach smell is gone. Dry with clean cloth. The outside of the unit may be wiped down with a soft cloth dampened with fresh water.
- 7) Refill unit and re-assemble per **ASSEMBLY** instructions.

SUMMER STORAGE

- 1) Clean unit as outlined in Care & Maintenance section.
- 2) Discard used wick and any water in the reservoir and allow unit to dry thoroughly before storage. **Do not** store with water inside reservoir.
- 3) Do not store unit in an attic or other high-temperature area, as damage will occur.
- 4) Install new filter at beginning of season.

HUMIDIFIER TWO YEAR LIMITED WARRANTY POLICY

SALES RECEIPT REQUIRED AS PROOF OF PURCHASE FOR ALL WARRANTY CLAIMS.

This warranty is extended only to the original purchaser of this humidifier when the unit is installed and used under normal conditions against defects in workmanship and materials as follows:

- Two (2) years from date of sale on the unit, and
- Thirty (30) days on wicks and filters, which are considered disposable components and should be replaced periodically.

The manufacturer will replace the defective part/product, at its discretion, with return freight paid by the manufacturer. It is agreed that such replacement is the exclusive remedy available from the manufacturer and that **TO THE MAXIMUM EXTENT PERMITTED BY LAW, THE MANUFACTURER IS NOT RESPONSIBLE FOR DAMAGES OF ANY KIND, INCLUDING INCIDENTAL AND CONSEQUENTIAL DAMAGE OR LOSS OF PROFITS OR REVENUES.**

Some states do not allow limitations on how long an implied warranty lasts, so the above limitations may not apply to you.

Exclusions from this warranty

We are not responsible for replacement of wicks and filters.

We are not responsible for any incidental or consequential damage from any malfunction, accident, misuse, alterations, unauthorized repairs, abuse, including failure to perform reasonable maintenance, normal wear and tear, nor where the connected voltage is more than 5% above the nameplate voltage.

Alterations include the substitution of name brand components including, but not limited to wicks and bacteria treatment.

We are not responsible for any damage from the use of water softeners or treatments, chemicals or descaling materials.

We are not responsible for the cost of service calls to diagnose the cause of trouble, or labor charge to repair and/or replace parts.

No employee, agent, dealer or other person is authorized to give any warranties or conditions on behalf of the manufacturer. The customer shall be responsible for all labor costs incurred.

This warranty will be null & void if purchaser attempts to repair or replace any parts which are mechanical or electrical.

Some states do not allow the exclusion or limitation of incidental or consequential damages, so the above limitations or exclusions may not apply to you.

How to obtain service under this warranty

Within the limitations of this warranty, purchaser with inoperative units should contact customer service at **800-547-3888** for instructions on how to obtain service within warranty as listed above.

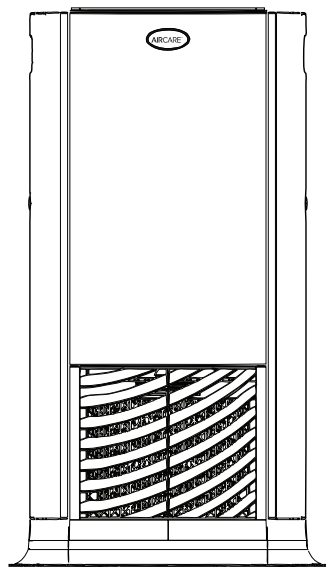
This warranty gives the customer specific legal rights, and you may also have other rights which vary from province to province, or state to state.

Register your product at www.essickair.com or www.AIRCAREproducts.com.

AIRCARE®

MINI-CONSOLE HUMIDIFICATEUR À ÉVAPORATION MODÈLE D46720 MANUEL D'UTILISATION ET D'ENTRETIEN

- ▶ Humidostat automatique
- ▶ Ventilateur à quatre vitesses
- ▶ Deux récipients amovible



Anglais1
Español17

POUR COMMANDER DES PIÈCES ET DES ACCESSOIRES
APPELEZ LE 1.800.547.3888

LE CONFORT EST DANS L'AIR

MISES EN GARDE IMPORTANTES

Consignes générales de sécurité

À LIRE AVANT D'UTILISER VOTRE HUMIDIFICATEUR

DANGER : signifie que si les consignes de sécurité ne sont pas respectées, quelqu'un sera gravement blessé ou tué.

AVERTISSEMENT : signifie que si les consignes de sécurité ne sont pas respectées, quelqu'un risque d'être gravement blessé ou tué.

PRUDENCE : signifie que si les consignes de sécurité ne sont pas respectées, quelqu'un sera peut-être blessé.

1. Pour réduire le risque d'incendie ou de choc électrique, cet humidificateur possède une fiche polarisée (une broche est plus large que l'autre). Branchez l'humidificateur directement dans une prise électrique de 120 V, AC. N'utilisez pas de rallonges. Si la fiche n'entre pas complètement dans la prise, inversez la fiche. Si elle ne rentre toujours pas, contactez un électricien qualifié pour installer une prise adéquate. Ne modifiez la fiche en aucun cas.
2. Ne laissez pas traîner le cordon électrique dans des passages très fréquentés. Pour réduire le risque d'incendie, ne placez jamais le cordon électrique sous un tapis, ou à proximité d'une bouche de chaleur, d'un radiateur, d'un four ou d'un appareil de chauffage.
3. Débranchez toujours l'appareil avant de le déplacer, le nettoyer ou de retirer l'ensemble de ventilation, ou chaque fois qu'il n'est pas en service.
4. Veillez à ce que l'humidificateur reste propre. Pour réduire le risque de blessure, d'incendie ou de dommages à l'humidificateur, utilisez uniquement des produits de nettoyage spécialement recommandés pour les humidificateurs. N'utilisez jamais de matériaux inflammables, combustibles ou toxiques pour nettoyer votre humidificateur.
5. Ne placez pas de corps étrangers à l'intérieur de l'humidificateur.
6. Ne laissez pas des enfants se servir de cet appareil comme d'un jouet. Il faut faire très attention quand cet appareil est utilisé par des enfants ou à proximité d'enfants.
7. Pour réduire le risque de danger électrique ou d'endommagement de l'humidificateur, n'inclinez pas, ne heurtez pas et ne faites pas basculer l'humidificateur quand il est en marche.
8. Pour réduire le risque de choc électrique accidentel, ne touchez pas le cordon ou les commandes avec les mains mouillées.
9. Pour réduire le risque d'incendie, n'utilisez pas l'humidificateur près d'une flamme nue comme une bougie ou une autre source de flamme.

AVERTISSEMENT : Pour votre propre sécurité, n'utilisez pas l'humidificateur si des pièces sont endommagées ou manquantes.

AVERTISSEMENT : Pour réduire les risques d'incendie, de choc électrique ou de blessure, débranchez toujours l'appareil avant d'effectuer une réparation ou un nettoyage.

AVERTISSEMENT : Pour réduire le risque d'incendie ou de choc électrique, ne versez pas et ne renversez pas liquide dans la zone des commandes ou du moteur. Si les commandes sont mouillées, laissez-les sécher complètement et faites vérifier l'unité par du personnel d'entretien autorisé. avant de brancher l'appareil.

INTRODUCTION

Votre nouvel humidificateur ajoute de l'humidité dans la maison en faisant passer de l'air sec à travers un filtre à mèche saturée. Au fur et à mesure que l'air passe au travers du filtre à mèche, l'eau s'évapore dans l'air en laissant derrière elle toutes poussières blanches, minéraux et solides dissous ou en suspension. Puisque l'eau est évaporée, il n'y a que de l'air humidifié, propre et invisible.

Au fur et à mesure que le filtre à mèche d'évaporation emprisonne et accumule les minéraux contenus dans l'eau, sa capacité d'absorption et d'évaporation d'eau diminue. Nous recommandons de changer le filtre à mèche au début de chaque saison. Dans les régions où l'eau est dure, un remplacement plus fréquent peut être nécessaire afin de maintenir l'efficacité de votre humidificateur.

N'utilisez que des produits chimiques et filtres à mèche AIRCARE® ou Essick Air® en remplacement. Pour commander des pièces, filtres à mèche et produits chimiques, appelez le 1-800-547-3888. Le humidificateur D46720 utilise des filtres à mèche n° 1040. Seuls les filtres à mèche d'évaporation de marque AIRCARE® ou Essick Air® garantissent le meilleur rendement de votre humidificateur. L'utilisation de filtres à mèche d'autres marques nuit aux performances de l'appareil et peut annuler votre garantie.

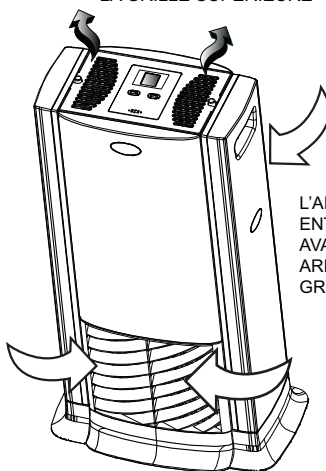
FONCTIONNEMENT DE L'HUMIDIFICATEUR

Votre nouvel humidificateur a été conçu pour satisfaire les exigences d'humidité domestique au moyen du principe d'évaporation d'eau dans l'air.

Une fois que le filtre est saturé, l'air est aspiré, passe à travers le filtre et l'humidité est absorbée dans l'air. Toute l'évaporation a lieu dans l'humidificateur ainsi aucun résidu ne reste dans le mèche.

Ce procédé naturel d'évaporation élimine virtuellement la poussière blanche.

L'AIR HUMIDIFIÉ EST EXPULSÉ VIA
LA GRILLE SUPÉRIEURE



L'AIR SEC
ENTRE PAR
AVANT ET
ARRIÈRE
GRILLE

Description	D46720
*Débit par 24h	22,7L
Capacité d'eau	7,6 L
*Portée en m²	186 Constr. étanche 121 Constr. moyenne
Vitesses du ventilateur	4
Mèche de rechange (2 requises)	1040
Humidostat automatique	Oui
Commandes	Électroniques
ETL mentionnés	Oui
Volts	120
Hertz	60
Watts	40

*Basée sur un espace à isolation moyenne et une hauteur de plafond de 2,50m.

REMARQUES SUR L'EMPLACEMENT :

Afin de tirer le meilleur parti de votre humidificateur, il est important de placer l'appareil à un endroit où le plus d'humidité est nécessaire ou là où l'air humide circulera dans toute la maison comme à proximité d'un retour d'air froid.

Si l'appareil est placé près d'une fenêtre, de la condensation peut se former sur la vitre. Si cela se produit, il faut déplacer l'appareil.

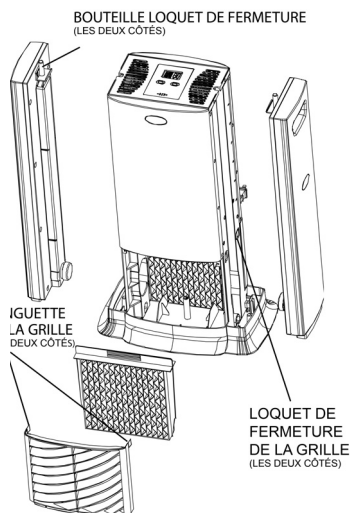
Ne placez PAS l'appareil directement devant une bouche d'air chaud ou un radiateur. NE le placez PAS sur de la moquette ou un tapis.

Du fait que de l'air humide et frais est libéré de l'humidificateur, il est préférable de ne pas diriger l'air vers un thermostat ou des bouches d'air chaud.

Placez l'humidificateur à côté d'un mur intérieur sur une surface plane à au moins 4 pouces (10 cm) du mur ou des rideaux.

ASSEMBLAGE

- 1) Déballez l'humidificateur.
- 2) Retirez tous les matériaux d'emballage.
- 3) S'ASSURER QU'IL N'YA PAS DE PELLICULE PLASTIQUE SUR MÈCHES.



Pièces détachées disponibles à l'achat	
Description	N° de pièce
Bouteilles d'eau	1B71663
Bouchon de bouteille	1B71664
Grille avant	1B71665
Grille arrière	1B71666
Loquet de fermeture du bouteille	1B72089
Pince de mèche grille	1B71877
Mèches (2)	1040
Manuel du propriétaire (non illustré)	1B72897

Vous pouvez commander les pièces détachées et accessoires au 1-800-547-3888. Veuillez avoir le numéro de série de l'humidificateur lors de votre appel.

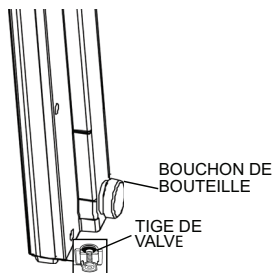
REPLISSAGE D'EAU

MISE EN GARDE : Avant le remplissage, assurez-vous que l'appareil est éteint et débranché.

- 1) Retirez la bouteille d'eau en appuyant sur le loquet sur le dessus de la bouteille.
- 2) Localisez le mécanisme de tige de manoeuvre en bas de la bouteille et inspectez-le pour vous assurer qu'il n'est pas endommagé de quelque façon.

PRUDENCE : Le robinet fournit un flux contrôlé d'eau vers le canal et la mèche. NE TENTEZ PAS d'augmenter le débit d'eau en modifiant le robinet ou en ajoutant des trous supplémentaires à la bouteille. Le fait de faire ceci annule votre garantie et pourrait provoquer des dégâts d'eau à votre domicile.

NOTA : Ne remplissez pas la bouteille avec de l'eau chaude, car cela pourrait endommager l'appareil. Lors du remplissage, veillez à ne pas trop remplir. Laissez toujours un petit espace d'air au sommet.



- 3) Retirez le bouchon de remplissage de bouteille et remplissez la bouteille en plaçant l'ouverture sous le robinet. Remplissez d'eau froide du robinet ou d'eau distillée en bouteille. Si vous ne disposez que de l'eau adoucie, vous pouvez l'utiliser, mais vous remarquerez une accumulation de minéraux sur la mèche beaucoup plus tôt.
- 4) Lors du premier remplissage, il faudra environ 30 minutes pour que les mèches absorbent l'eau de la base de l'appareil. Après saturation initiale, le réservoir doit être rempli à nouveau pour un maximum de temps de fonctionnement. Remplissez la bouteille à nouveau lorsque l'indicateur de remplissage s'allume.

AVERTISSEMENT: Ne pas faire gicler d'eau sur le moteur. Les composants électriques doivent rester secs.

REMARQUE : Nous recommandons l'utilisation d'AIRCARE® ou du traitement bactériostatique d'Essick Air® à chaque remplissage du réservoir d'eau afin d'éliminer la croissance bactérienne. Ajoutez le produit de traitement selon les instructions figurant sur le récipient.

Vous ne devez en aucun cas utiliser des produits de traitement de l'eau conçus pour des humidificateurs d'air ultrasoniques ou de type « Roto Belt ».

À PROPOS DE L'HUMIDITÉ

Le réglage du niveau d'humidité souhaité dépend de votre niveau de confort personnel, la température extérieure et la température intérieure.

REMARQUE: Les tests CDC récentes montrent que les risques de transmission de la grippe sont considérablement réduits à des niveaux de 43% d'humidité.

*Vous pouvez acheter un hygromètre pour mesurer le niveau d'humidité chez vous. Voici un tableau des taux d'humidité recommandés.

IMPORTANT: Des dégâts causés par l'eau peuvent se produire si de la condensation commence à se former sur les fenêtres ou les murs. Le point de réglage (SET) de l'humidité doit être réduit jusqu'à ce que la condensation cesse de se former. Nous recommandons que les niveaux d'humidité ambiante ne dépassent pas 50 %.

Lorsque la température extérieure est de:		L'humidité relative (HR) recommandée à l'intérieur d'une habitation est de :
°F	°C	
-20	-30°	15 - 20%
-10°	-24°	20 - 25%
2°	-18°	25 - 30%
10°	-12°	30 - 35%
20°	-6°	35 - 40%
30°	-1°	40 - 45%

* Modèle 1990 hygromètre numérique est disponible à l'achat par téléphone au 1-800-547-3888.

REMARQUE: Lectures de externes et des lectures hygrostat peuvent différer. Les niveaux d'humidité peuvent varier considérablement, même dans une pièce.

FONCTIONNEMENT

Branchez le cordon dans la prise murale. Votre humidificateur est maintenant prêt à l'emploi. L'humidificateur doit être placé à au moins QUATRE pouces (10 cm) des murs et des bouches de chaleur. Une entrée d'air non obstruée assure une meilleure efficacité et un meilleur rendement de l'appareil.

REMARQUE : Cet appareil dispose d'un humidostat automatique situé sur le panneau de commande qui détecte le niveau d'humidité autour de l'humidificateur. Il enclenche l'humidificateur lorsque l'humidité relative à l'intérieur de votre habitation est inférieure au point d'humidité programmé et l'éteint lorsque l'humidité relative atteint le point de réglage.

PANNEAU DE COMMANDE POUR ACATIVER/DÉSCATIVER

Pour la première utilisation, brancher l'unité (l'écran affichera __). Pour arrêter l'unité, appuyer sur VITESSE pendant cinq secondes.

Les vitesses de ventilation vont de rapide à lente. L'unité s'initialisera et mesurera le taux d'humidité.

A VITESSE DU VENTILATEUR

Cet appareil possède un panneau de commande numérique à quatre vitesses.

- 1) Appuyer sur le bouton VITESSE pour régler le ventilateur.
- 2) Les vitesses d'affichage sur le panneau numérique (Maximale F4 – Minimale (F1).

CONTRÔLE DE L'HUMIDITÉ

- 3) L'hygromètre sur le cordon lit la pièce actuelle humidité et affiche le pourcentage sur l'écran LCD.
- 4) Pour définir le taux d'humidité désiré, appuyez sur le bouton de HUMIDITY. Le réglage augmentera de 5 % chaque fois que vous appuierez sur la touche de réglage du taux d'humidité. À partir d'une valeur de réglage de 65 %, l'appareil fonctionnera sans arrêt.
- 5) Un niveau d'humidité programmé (SET) de 65 % fait fonctionner l'humidificateur en continu, jusqu'à épuisement de l'eau.

NOTE: Si la condensation est excessive, réduire la vitesse.

INDICATEUR DU REMPLISSAGE

- 1) Lorsque l'appareil n'a plus d'eau, un F clignotant s'affiche sur le panneau d'affichage.



Affichage que l'appareil doit être rempli

REMARQUE: Le moteur se remet en marche lorsque l'appareil est rempli.

INDICATEUR D'INSPECTION DU FILTRE

La capacité d'un humidificateur, quel qu'il soit, à produire efficacement de l'humidité dépend dans une large mesure de l'état du filtre. Au fur et à mesure que le filtre se charge d'impuretés, il perd progressivement sa capillarité. Lorsque cela se produit, la production d'humidité est réduite et l'humidificateur doit fonctionner plus longtemps pour atteindre l'humidité programmée.

- 1) Cet humidificateur est équipé d'un mécanisme qui vous rappellera de vérifier le filtre après 720 heures de fonctionnement. Lorsque le message Check Filter « CF » (inspecter le filtre) s'affiche, débranchez le cordon d'alimentation et vérifiez l'état du filtre. Si vous remarquez la présence de dépôts ou une décoloration, remplacez le filtre pour restaurer l'efficacité maximale.
- 2) Le message CF disparaît lorsque l'humidificateur est rebranché.



Affichage de la fonction Check Filt (inspecter le filtre)

VERROUILLAGE DES COMMANDES

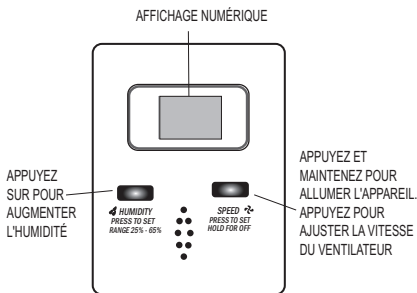


Affichage du verrouillage des commandes

Pour éviter la manipulation indésirable des paramètres de l'humidificateur, les commandes peuvent être verrouillées.

PROCÉDURE D'ACTIVATION

Après avoir réglé les fonctions de l'humidificateur, maintenez les deux boutons pour 5 secondes. L'écran affichera « CL » pendant 2 secondes ; relâchez les boutons et l'humidité ambiante s'affichera à nouveau.

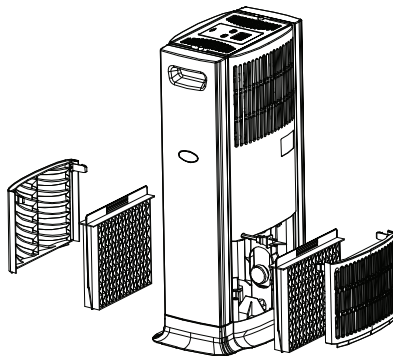


REPLACEMENT DU MÈCHE

MISE EN GARDE : Avant de remplacer le mèche, assurez-vous que l'appareil est éteint et débranché.

REMARQUE : Cet appareil utilise le modèle des filtres à mèches 1040. Remplacez les filtres à mèches au début de chaque saison, et plus souvent dans les régions où l'eau est dure.

- 1) Enlevez les deux récipients.
- 2) Appuyez sur les deux loquets pour enlever la grille et les filtres.
- 3) Remettez les filtres et la grille en place, les loquets s'enclencheront.
- 4) Remettez les récipients en position originale.



NETTOYAGE ET ENTRETIEN

Le fait de nettoyer régulièrement votre humidificateur aide à éliminer les odeurs et la croissance de bactérie et de champignons. Normalement, l'eau de javel est un bon désinfectant et peut être utilisée dans le plateau et les réservoirs d'eau après nettoyage.

Nous recommandons de nettoyer l'humidificateur au moins une fois toutes les deux semaines afin d'obtenir de votre humidificateur des conditions optimales pour l'environnement.

Nous recommandons, également, l'utilisation du traitement Bacteriostat Essick Air à chaque remplissage du récipient d'eau afin d'éliminer la croissance éventuelle des bactéries. Ajoutez le bactériostat selon les directives inscrites sur le récipient d'eau.

Veillez composer le 1-800-547-3888 afin de passer commande du traitement Bacteriostat portant la référence numéro 1970.

- 1) Éteignez l'appareil complètement et débranchez-le.
- 2) Mettez la base et les récipients dans l'évier et enlevez les récipients.
- 3) Soulevez le filtre à mèche de la base en laissant l'eau s'écouler. Rincez les filtres à mèche sous de l'eau fraîche uniquement. N'utilisez pas de savon, de détergent ni d'autres nettoyeurs sur le filtre à mèche. Laissez-le s'égoutter dans l'évier.

DÉTARTRAGE

- 4) Videz l'eau contenue dans la base et les récipients d'eau. Remplissez les récipients et la base à moitié avec de l'eau et rajoutez ½ tasse de vinaigre blanc. Laissez agir pendant 20 minutes. Videz la solution.
- 5) Mouillez un chiffon doux avec du vinaigre blanc pur et essuyez la base pour enlever les dépôts. Rincez abondamment la base avec de l'eau fraîche pour enlever les dépôts et la solution nettoyante avant de désinfecter.

DÉSINFECTION DE L'APPAREIL

- 6) Remplissez de moitié les bouteilles avec de l'eau et rajoutez 1c. d'eau de javel dans chacun des deux. Mouillez toutes les surfaces du boîtier, ensuite laissez agir la solution pendant 20 minutes puis rincez avec de l'eau jusqu'à ce que l'odeur de javel soit partie. Séchez avec un chiffon doux. Vous pouvez essuyer les parois extérieures de l'appareil à l'aide d'un chiffon doux mouillé avec de l'eau fraîche.
- 7) Remplissez l'appareil et remontez-le selon les directives de l'**ASSEMBLAGE**.

ENTREPOSAGE L'ÉTÉ

- 1) Nettoyez l'appareil tel qu'indiqué dans le chapitre portant sur les « Soins et l'entretien ».
- 2) Jetez le filtre à mèche usé et toute l'eau qui serait restée dans le réservoir. Laissez le boîtier sécher complètement avant de le ranger. **N'entreposez pas** l'appareil avec de l'eau dans le récipient.
- 3) N'entreposez pas l'appareil dans un grenier ou dans un endroit où la température est élevée, ou des dommages peuvent survenir.
- 4) Installez un nouveau filtre à mèche avant le début de la saison.

GARANTIE LIMITÉE À DEUX ANS

FACTURE REQUISE COMME PREUVE D'ACHAT POUR TOUTE RÉCLAMATION VISANT À FAIRE VALOIR LA GARANTIE.

Cette garantie est accordée uniquement à l'acheteur original du présent humidificateur lorsque l'appareil est installé et utilisé dans des conditions normales, contre les défauts de matériaux et de fabrication comme suit:

- Deux (2) ans à compter de la date de vente de l'appareil, et
- Trente (30) jours sur les mèches et filtres, qui sont considérés comme des éléments jetables et doivent être remplacés périodiquement.

Le fabricant remplacera la pièce/le produit défectueux, à sa discrétion, en prenant à sa charge les frais de transport pour le renvoi du produit au client. Il est convenu qu'un tel remplacement est le seul recours offert par le fabricant et que, **DANS LA MESURE MAXIMALE AUTORISÉE PAR LA LOI, LE FABRICANT NE SAURAIT ÊTRE TENU RESPONSABLE DE DOMMAGES QUELCONQUES, Y COMPRIS DES DOMMAGES ACCESSOIRES OU SECONDAIRES, OU DES PERTES DE BÉNÉFICES OU DE REVENUS.**

Certains États ne permettent pas de limitations concernant la durée des garanties tacites, aussi les limitations ci-dessus peuvent-elles ne pas vous concerner.

Exclusions de cette garantie

Nous n'assumons pas la responsabilité du remplacement des mèches et des filtres. Nous n'assumons pas la responsabilité des garnitures qui sont considérées comme jetables et doivent être remplacées périodiquement.

Les modifications comprennent la substitution d'éléments de marque, y compris, mais sans s'y limiter, les mèches d'humidificateur et le traitement des bactéries.

Nous n'assumons pas la responsabilité de tout dommage résultant de l'utilisation d'adoucisseurs d'eau ou de traitements, de produits chimiques ou de matériaux de détartrage.

Nous n'assumons pas la responsabilité du coût des appels au service en vue de diagnostiquer la cause du problème, ni les frais de main-d'oeuvre pour la réparation ou de remplacement des pièces.

Aucun employé, agent, revendeur ni autre personne n'est autorisé à accorder des garanties ou des conditions au nom du fabricant. Le client devra assumer tous les coûts de main-d'oeuvre engagés.

Cette garantie sera considérée nulle et non avenue si l'acheteur tente de réparer ou remplacer des pièces mécaniques ou électriques.

Certains états n'autorisent pas l'exclusion ou la limitation de responsabilité pour les dommages fortuits ou consécutifs, aussi les limitations ou exclusions ci-dessus peuvent-elles ne pas vous concerner.

Comment obtenir le service découlant de cette garantie

Dans les limites de cette garantie, l'acheteur en possession d'un appareil défectueux doit prendre contact avec le service client au **800-547-3888** pour obtenir des instructions sur la façon d'obtenir des pièces de rechange dans le cadre de la garantie comme indiqué ci-dessus.

Cette garantie confère des droits spécifiques au client et ce dernier peut également jouir d'autres droits en fonction de la province ou de l'État dans lequel il réside .

Veuillez enregistrer votre produit sur www.essickair.com ou www.AIRCAREproducts.com.

AIRCARE®

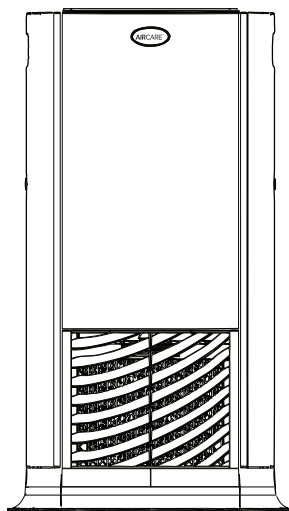
MINI-CONSOLA HUMIDIFICADOR POR EVAPORACIÓN

MODELO

D46720

GUÍA DE USO Y
CUIDADO

- ▶ Humidistato automático
- ▶ 4 velocidades del ventilador
- ▶ Botellas de agua dobles



Inglés1
Francés9

PARA ADQUIRIR PIEZAS Y ACCESORIOS LLAME AL 1.800.547.3888

LA COMODIDAD ESTÁ EN EL AIRE

MEDIDAS DE SEGURIDAD IMPORTANTES

Instrucciones generales de seguridad

LÉALAS ANTES DE USAR SU HUMIDIFICADOR

PELIGRO: significa que si no se respeta la información de seguridad, alguien puede resultar seriamente herido o muerto.

PRECAUCIÓN: significa que si no se respeta la información de seguridad, alguien podría resultar seriamente herido o muerto.

ADVERTENCIA: significa que si no se respeta la información de seguridad, alguien podría resultar herido.

1. Para reducir el riesgo de incendio o descarga eléctrica, este humidificador posee un enchufe polarizado (una espiga es más ancha que la otra). Enchufe el humidificador directamente a un tomacorriente eléctrico de 120 V de corriente alterna (CA). No utilice cables prolongadores. Si el enchufe no encaja completamente en el tomacorriente, inviértalo. Si aún así no encaja, contacte a un electricista calificado para que instale el tomacorriente adecuado. No cambie el enchufe de ninguna manera.
2. Mantenga el cable fuera de las áreas de tránsito. Para reducir el riesgo de peligro de incendio, nunca coloque el cable debajo de alfombras, cerca de fuentes de calor, radiadores, cocinas o calentadores.
3. Desenchufe siempre la unidad antes de mover, limpiar o retirar la parte del módulo del ventilador del humidificador, o cuando no esté funcionando.
4. Mantenga el humidificador limpio. Para reducir el riesgo de lesiones, incendio o daños al humidificador, utilice solamente limpiadores recomendados específicamente para humidificadores. Nunca utilice materiales inflamables, combustibles o tóxicos para limpiar su humidificador
5. No coloque objetos extraños dentro del humidificador.
6. No permita que la unidad se utilice como un juguete. Se debe prestar especial atención cuando es utilizado por o cerca de niños.
7. Para reducir el riesgo de peligro eléctrico o daño al humidificador, no lo mueva, sacuda ni incline mientras la unidad esté en funcionamiento.
8. Para reducir el riesgo de descargas eléctricas accidentales, no toque el cable ni los controles con las manos húmedas.
9. Para reducir el riesgo de incendio, no lo utilice cerca de una fuente de fuego abierta, como una vela u otra fuente de fuego.

PRECAUCIÓN: Por su propia seguridad, si alguna parte faltara o estuviera dañada, no utilice el humidificador.

PRECAUCIÓN: Para reducir el riesgo de incendio, descarga eléctrica o daños, siempre desconecte la unidad antes de realizar el mantenimiento o la limpieza.

PRECAUCIÓN: Para reducir el riesgo de incendio o electrocución, no vierta ni derrame agua sobre la zona del motor o del control. Si se mojan los controles, déjelos secar completamente y haga revisar la unidad por personal de mantenimiento autorizado antes de conectarla.

INTRODUCCIÓN

Su nuevo humidificador añade humedad invisible a su hogar desplazando aire seco a través de una mecha saturada. A medida que el aire atraviesa la mecha, el agua se evapora en el aire, dejando atrás polvo blanco, minerales o sólidos disueltos o suspendidos. Debido a que el agua se evapora, queda solamente aire húmedo, limpio e invisible.

A medida que la mecha de evaporación atrapa los minerales acumulados en el agua, se reduce su capacidad de absorber y evaporar agua. Se recomienda cambiar la mecha al comienzo de la estación. En áreas de aguas duras, deberá reemplazarla con más frecuencia para mantener la eficiencia de su humidificador.

Utilice únicamente mechas de repuesto y químicos AIRCARE® o Essick Air®. Para solicitar piezas, mechas y químicos llame al 1-800-547-3888. Lo humidificador uso mechas N° 1040. Sólo las mechas de evaporación AIRCARE® o /Essick Air® garantiza el rendimiento certificado de su humidificador. El uso de mechas de otras marcas anula la certificación de rendimiento y puede anular su garantía.

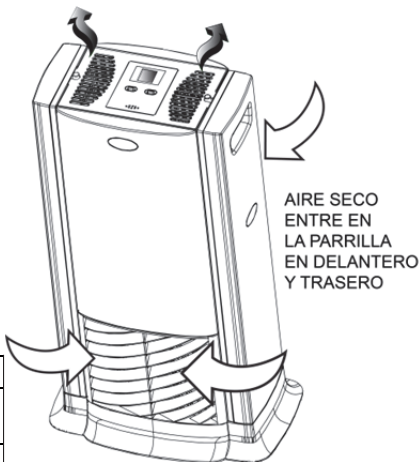
FUNCIONAMIENTO DE SU HUMIDIFICADOR

Su nuevo humidificador está diseñado para satisfacer los requisitos de humedad del hogar por medio del principio de evaporación de agua en el aire.

Una vez que el filtro se satura, el aire ingresa, pasa a través del filtro y la humedad es absorbida y liberada en el aire. Toda la evaporación se produce en el humidificador para que cualquier residuo permanezca en el filtro.

Este proceso natural de evaporación elimina prácticamente todo el polvo blanco.

EL AIRE HUMIDIFICADO SE EXPULSA A TRAVÉS DE LA PARRILLA SUPERIOR



AIRE SECO ENTRE EN LA PARRILLA EN DELANTERO Y TRASERO

Descripción	D46720
Rendimiento de galones durante 24 horas	6 galones
Capacidad de la humidificador	2 galones
Cobertura en pies cuadrados	2000 Construcción hermética 1300 Construcción promedia
Velocidades del ventilador	4
Meche de reemplazo	1040
Humidistato automático	Si
Controles	Electrónico
Registrado por ETL	Si
Voltios	120
Hertz	60
Watts	40

* Basado en una superficie con aislamiento promedio y una altura de cielorraso de 8 pies.

NOTAS SOBRE LA UBICACIÓN:

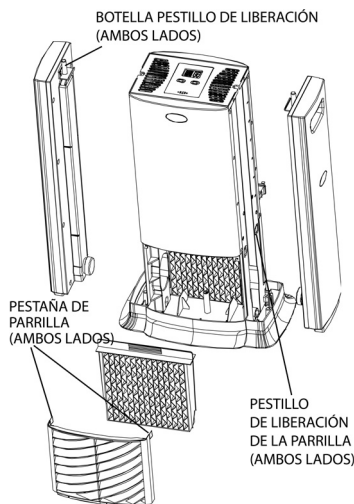
Con el fin de conseguir un uso más efectivo del humidificador, es importante colocar la unidad donde se requiera la mayor cantidad de humedad o en el lugar de la casa donde circulará la mayor cantidad de aire; por ejemplo, cerca de un retorno de aire frío. Si la unidad se coloca cerca de una ventana, puede formarse condensación en el cristal de la ventana. Si esto sucede, se debe colocar la unidad en otro lugar.

NO sitúe la unidad directamente delante de un conducto de aire caliente o radiador. NO coloque la unidad sobre una alfombra mullida.

Debido a que el humidificador emite aire frío y húmedo, se recomienda orientar la dirección del aire lejos del termostato y de las rejillas de aire caliente. Coloque el humidificador cerca de una pared interna en un lugar nivelado a 10 centímetros de distancia, como mínimo, de la pared o de las cortinas.

MONTAJE

- 1) Desempaquetar el humidificador, sacándolo de la caja.
- 2) Retire todos los materiales de embalaje del humidificador.
- 3) Retire las botellas de base.
- 4) **RETIRE EL ENVOLTORIO PLÁSTICO DE LA MECHA SEA NECESARIO**



Piezas De Repuesto Disponibles Para Compra

Descripción	Número de pieza
Botella de agua	1B71663
Tapas de las botellas	1B71664
Parilla delantera	1B71665
Parilla posterior	1B71666
Botella pestillo de liberación	1B72089
Clip de mecha rejilla	1B71877
Mechas	1040
Manual del usuario (no se muestra)	1B72897

Para encomendar piezas y accesorios, llame al 1-800-547-3888. Si decide llamar por teléfono, tenga disponible el modelo y el número de serie del humidificador.

LLENADO

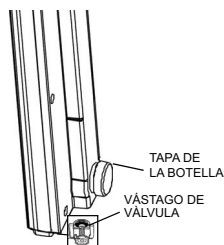
ADVERTENCIA: Antes de realizar el llenado, asegúrese de que la unidad esté **APAGADA** y **desenchufada**.

- 1) Quite la botella del agua clavando en el cierre encima de la botella.
- 2) Localice el mecanismo del vástago de válvula en el fondo de la botella y examínelo para **asegurarla no se dañe de cualquier manera**.

PRECAUCIÓN: La válvula provee regulado alrededor del agua al canal y al fieltro. No procure aumentar corriente modificando la válvula o agregando los agujeros adicionales a la botella. El hacer anula tan su garantía y puede causar daño del agua a su hogar.

NOTA: No llene la botella de agua caliente, pues esto pudo dañar la unidad. Al llenar, tenga cuidado de no sobrellenar. Deje siempre un poco espacio de aire en la tapa. Quite el casquillo del terraplén de la botella y llene la botella poniendo la abertura debajo del grifo. Llene del agua del grifo fresca o del agua destilada en botella. Si usted ha ablandado solamente el agua disponible, usted puede utilizarla, pero usted notará la acumulación mineral en el fieltro mucho más pronto.

- 3) Sobre primer llene-para arriba, él tomará aproximadamente 30 minutos para que los fieltros absorban el agua de la base de la unidad. Después de la saturación inicial, el tanque se debe rellenar otra vez por tiempo en marcha máximo. Rellene la botella cuando la indicación del repuesio ilumina



PRECAUCIÓN: No derrame agua sobre el motor del ventilador. Los componentes eléctricos deben mantenerse secos.

NOTA: Se recomienda utilizar el Tratamiento Antibacteriano AIRCARE® o Essick Air® cuando rellene el depósito de agua para eliminar el desarrollo de bacterias.

Añada el bactericida según las instrucciones del envase.

En ninguna circunstancia debe usted usar productos de tratamiento de agua diseñados para humidificadores de rotocorrea o ultrasónicos.

ACERCA DE LA HUMEDAD

El punto en el que ajuste los niveles de humedad deseados depende de su nivel de comodidad personal, la temperatura exterior y la temperatura interior.

NOTA: Pruebas recientes de los CDC muestran que las posibilidades de transmisión de la gripe se reducen en gran medida a niveles de 43% de humedad.

Es posible que desee comprar un higrómetro para medir el nivel de humedad en su hogar. El siguiente es un diagrama de ajustes de humedad recomendados.

IMPORTANTE: El agua puede producir daños si comienza a formarse condensación en ventanas o paredes. Debe disminuirse el punto de AJUSTE de la humedad hasta que ya no se forme condensación. Se recomienda que los niveles de humedad de la habitación no excedan el 50%.

Cuando la temperatura exterior es de:		La humedad relativa (HR) interior recomendada es del
°F	°C	
-20	-30°	15 - 20%
-10°	-24°	20 - 25%
2°	-18°	25 - 30%
10°	-12°	30 - 35%
20°	-6°	35 - 40%
30°	-1°	40 - 45%

* Modelo 1990 higrómetro digital está disponible para su compra llamando al 1-800-547-3888.

NOTA: Las lecturas del higrómetro externos y lecturas humidistato pueden ser diferentes. Los niveles de humedad pueden variar significativamente, incluso en una habitación.

OPERACIÓN

Conecte el enchufe en un tomacorriente de pared. Su humidificador ya está listo para ser utilizado. El humidificador se debe colocar a DIEZ centímetros, como mínimo, de cualquier pared y lejos de rejillas de calor. Con la libre circulación de aire en la unidad, se obtendrá el mejor rendimiento y funcionamiento.

NOTA: La unidad D46720 posee un humidistato automático situado en el cable, que mide la humedad relativa de la habitación. El humidistato encenderá el humidificador cuando la humedad relativa en el hogar sea inferior al ajuste del humidistato y apagará el humidificador cuando la humedad relativa alcance el ajuste que figura en el humidistato.

PARA ACTIVAR/ DESACTIVAR

Para la operación inicial, enchufe la unidad en (el visor mostrará __).

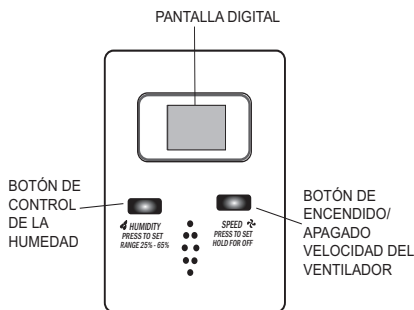
Mantenga pulsado el botón SPEED durante cinco segundos para activar o desactivar la unidad.

VENTILADOR VELOCIDADES

- 1) El ventilador cambia la velocidad del ciclo desde la velocidad más alta a la más baja.
- 2) Presione el botón SPEED (Velocidad) para ajustar la configuración del ventilador.
- 3) El velocidades (4- Mayor a 1- Bajas) se mostrará en el panel digital).

CONTROL DE LA HUMEDAD

- 3) El higrómetro sobre el cable lee la humedad ambiente actual y muestra el porcentaje en el panel LCD.
- 4) Para establecer la humedad deseada, presione el botón HUMIDITY (Humedad). Cada vez que presione el botón, la humedad aumentará en incrementos de 5%.



El rango del 25 al 65 % y se ajusta en incrementos del 5 %. Un punto de ajuste del 65 % hace que el humidificador funcione de forma continua, independientemente de la lectura del ambiente.

5) En 65% el humidificador funcionará constantemente hasta que se quede sin agua.

NOTA: Se recomienda disminuir la velocidad cuando exista una condensación excesiva.

INDICACIÓN DE RELLENO

1) Cuando la unidad está fuera del agua, el motor se apaga y una F parpadeante aparecerá en el panel de visualización.



Visualización de recarga de agua

NOTA: El motor se encenderá de nuevo cuando la unidad se vuelve a llenar.

ADVERTENCIA: Desconecte el suministro de energía antes de realizar el llenado, la limpieza o el mantenimiento de la unidad. Mantenga la rejilla seca en todo momento.

CONTROL DEL FILTRO

La capacidad de cualquier humidificador para suministrar de manera eficiente humedad depende en gran medida de la condición del filtro. A medida que el filtro se carga con impurezas, pierde gradualmente su capacidad de mecha.

Cuando esto ocurre, la producción de humedad se reduce y el humidificador tiene que trabajar más tiempo para satisfacer el ajuste seleccionado.

1) Este humidificador posee un recordatorio de control de filtro programado para dar aviso después de 720 horas de funcionamiento. Cuando el mensaje de control del filtro (CF) aparezca en el visualizador, desconecte el cable de alimentación y controle el estado del filtro. Si es evidente que hay una acumulación de depósitos o una decoloración intensa, reemplace el filtro para restablecer la máxima eficiencia. La función CF vuelve a cero luego de conectar la unidad nuevamente.



Visualización de la función de control del filtro

FUNCIÓN DE BLOQUEO DEL CONTROL

2) Para evitar que los ajustes del humidificador se vean alterados involuntariamente, los controles pueden bloquearse.



Visualización de bloqueo del control

PROCEDIMIENTO DE ACTIVACIÓN

Después de configurar las funciones del humidificador, mantenga presionado ambos botones durante 5 segundos. El visualizador mostrará "CL" por 2 segundos; suelte el botón de encendido y el control volverá a mostrar la humedad de la habitación. El humidificador seguirá funcionando con los ajustes bloqueados. Si se operan los botones mientras el bloqueo del control ("CL") está activado, el visualizador mostrará "CL" y los ajustes no se modificarán.

PROCEDIMIENTO DE DESACTIVACIÓN

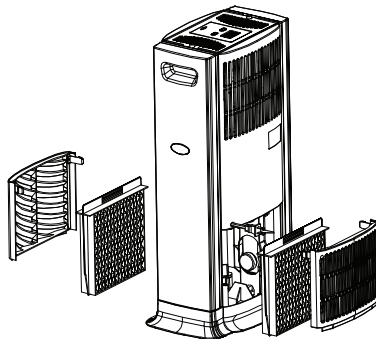
Para desactivar la función de bloqueo del control ("CL"), solo mantenga presionado ambos botones durante 5 segundos. "CL" parpadeará a razón de 1 segundo encendido y 1 segundo apagado durante 2 segundos y, luego, volverá a mostrar la humedad de la habitación.

REEMPLAZO DE LA MECHA

ADVERTENCIA: Antes de cambiar la mecha, asegúrese de que la unidad esté APAGADA y desenchufada.

NOTA: Esta unidad utiliza el modelo de mechas 1040. Reemplace las mechas al comienzo de cada estación, y con mayor frecuencia en áreas con aguas duras.

- 1) Sacar las dos botellas.
- 2) Apretar las dos trabas para sacar la rejilla y las mechas.
- 3) Reinstale las mechas y la rejilla, las trabas vuelven a su lugar.
- 4) Reinstale las botellas en su lugar original.



CUIDADO Y MANTENIMIENTO

Limpiar su humidificador regularmente ayuda a eliminar olores y el crecimiento de bacterias y hongos. El blanqueador doméstico común es un buen desinfectante y se puede usar para reparar la base del humidificador y la botella después de limpiarlos. Recomendamos limpiar su humidificador por lo menos una vez por semana para mantenerlo con las condiciones ambientales ideales.

También recomendamos usar el Tratamiento Bactericida Essick Air cada vez que rellene su humidificador para eliminar el crecimiento bacteriano Añadir el bactericida de acuerdo a las instrucciones del embalaje. Para encomendar el Tratamiento Bactericida, llame al 1-800-547-3888.

- 1) Apague la unidad completamente y desenchúfela del tomacorriente.
- 2) Lleve la base y las botellas para limpiarlas en la pileta y saque las Botellas.
- 3) Levante la mecha de la base dejando salir el agua. Enjuagar las mechas solamente con agua limpia. No usar jabón, detergente o cualquier otro producto de limpieza en la mecha. Dejarla escurrir en la pileta.

REMOCIÓN DE SARRO

- 4) Vaciar el agua de la base y de las botellas. Llenar las botellas y la base hasta la mitad con agua y añadirle 4 Oz. (½ taza) de vinagre blanco a cada uno. Dejar reposar durante 20 minutos. Después vaciarlo.
- 5) Humedecer un paño suave con vinagre blanco y frotar la base para retirar el sarro. Enjuagar la base cuidadosamente con agua limpia para remover el sarro y la solución de limpieza antes de desinfectarlo.

DESINFECCIÓN DE LA UNIDAD

- 6) Llenar las botellas y la base con agua hasta la mitad y agregarle una cucharadita de té de blanqueador a cada recipiente. Humedecer todas las superficies del gabinete, después dejar descansar la solución durante 20 minutos y enjuagar con agua hasta que desaparezca el olor a blanqueador. Secar con un paño limpio. Se puede repasar la parte de afuera de la unidad con un paño humedecido en agua limpia.
- 7) Rellenar la unidad y reensamblarla de acuerdo a las instrucciones de **ENSAMBLAJE**.

ALMACENAMIENTO DURANTE EL VERANO

- 1) Limpiar la unidad como se describe en la sección Cuidados y Mantenimiento.
- 2) Desechar el filtro/mecha usado y el agua de la base y dejar secar bien el gabinete antes de guardarlo. **No** guardarlo con agua dentro de las botellas o del depósito.
- 3) No almacenar la unidad en sótanos o áreas con alta temperatura, que se produzcan daños.
- 4) Instalar nuevos filtros al comienzo de la temporada dentro del depósito.

POLÍTICA DE GARANTÍA LIMITADA DE DOS AÑOS

PARA CUALQUIER RECLAMO RELACIONADO CON LA GARANTÍA ES NECESARIO PRESENTAR EL RECIBO COMO PRUEBA DE COMPRA

Esta garantía se extiende solo al comprador original de este humidificador, siempre y cuando la unidad sea instalada y utilizada en condiciones normales, contra defectos de fabricación y materiales como se detalla a continuación:

- Dos (2) años a partir de la fecha de la venta de la unidad y
- Treinta (30) días para mechas y filtros, que se consideran componentes desechables y deben reemplazarse periódicamente.

El fabricante reemplazará la parte o producto defectuoso, según lo crea conveniente, y se hará cargo de los gastos de envío de la devolución al cliente. Se acuerda que el reemplazo es la única solución que el fabricante tiene disponible. ASIMISMO, HASTA EL GRADO MÁXIMO PERMITIDO POR LA LEY, EL FABRICANTE NO SE HACE RESPONSABLE POR LOS DAÑOS DE CUALQUIER TIPO, INCLUIDOS DAÑOS INCIDENTALES Y EMERGENTES, O LA PÉRDIDA DE GANANCIAS O INGRESOS.

Algunos estados no permiten limitaciones con respecto a cuánto tiempo dura una garantía implícita, por lo tanto es posible que las limitaciones detalladas anteriormente no se apliquen a usted.

Exclusiones de esta garantía

No nos responsabilizamos por el reemplazo de mecheros y filtros.

No nos responsabilizamos por cualquier tipo de daños accidentales o resultantes, producto de cualquier tipo de mal funcionamiento, accidente, mal uso, alteraciones, reparaciones no autorizadas, abuso, incluidos la falta de mantenimiento razonable, uso o desgaste normal, ni en situaciones donde el voltaje conectado sea un 5% mayor al indicado por la placa indicadora.

Las alteraciones que puede sufrir el producto incluyen la sustitución de componentes de marca, incluido, pero no limitado al tratamiento de bacterias y mechas del humidificador.

No nos responsabilizamos por cualquier daño provocado por el uso de suavizantes o tratamientos de agua, químicos o materiales de descalcificación.

No nos responsabilizamos por el costo de las llamadas al servicio para diagnosticar la causa del problema o el cargo de la mano de obra para reparar o reemplazar piezas.

Los empleados, agentes, distribuidores u otras personas no se encuentran autorizados a brindar garantías o condiciones en nombre del fabricante. El cliente será responsable por todos los costos de mano de obra incurridos.

Esta garantía quedará sin validez si el comprador intenta reparar o reemplazar cualquier pieza mecánica o eléctrica.

Algunos estados no permiten la exclusión o la limitación de daños incidentales o resultantes, por lo tanto es posible que las limitaciones o exclusiones detalladas anteriormente no se apliquen a usted.

Cómo obtener servicio bajo esta garantía

Dentro de las limitaciones de la presente garantía, el comprador que tenga unidades fuera de funcionamiento debe comunicarse con el servicio de atención al cliente al **800-547-3888** para obtener instrucciones sobre cómo obtener las piezas de repuesto dentro de la garantía, como se indica anteriormente..

Esta garantía le confiere al cliente derechos específicos. Además, el cliente puede gozar de otros derechos que varían según la provincia o el estado.

Registre su producto en www.essickair.com o www.AIRCAREproducts.com.

Free Manuals Download Website

<http://myh66.com>

<http://usermanuals.us>

<http://www.somanuals.com>

<http://www.4manuals.cc>

<http://www.manual-lib.com>

<http://www.404manual.com>

<http://www.luxmanual.com>

<http://aubethermostatmanual.com>

Golf course search by state

<http://golfingnear.com>

Email search by domain

<http://emailbydomain.com>

Auto manuals search

<http://auto.somanuals.com>

TV manuals search

<http://tv.somanuals.com>