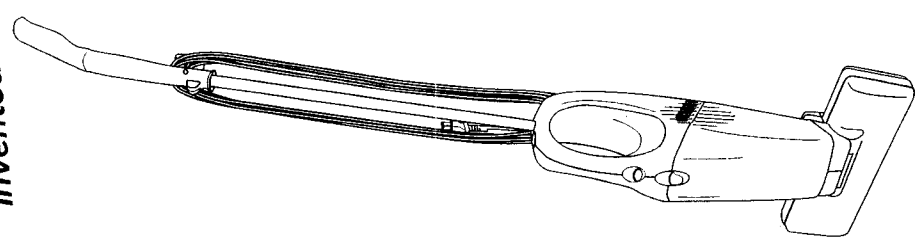


# eureka!

Invented for the way you clean™


## Lightweight Vacuum Cleaner Household Type Owner's Guide 160 Series



Index	
Important Safeguards .....	2
Service Information .....	4
Identify Parts .....	5
Assemble .....	5-6
Use .....	6
Dust Cup .....	7
Dust Cup Filter .....	8
Customer Order .....	9
Warranty .....	11-12

For location of nearest Eureka Warranty Station or Service Information call 1-800-282-2886.

www.eureka.com



### Questions & Answers about Genuine Eureka Products

**Q:** Why should I use only Genuine Eureka paper bags, belts, and parts in my Eureka vacuum cleaner?

**A:** Using Genuine Eureka Products, which are made to our exacting specifications and engineered with emphasis on quality, performance, and customer satisfaction, ensures the long life and cleaning efficiency of your vacuum cleaner. Overall, this saves you money and helps to keep your home clean.

**Q:** How can I be sure I am using only Genuine Eureka products in my vacuum cleaner?

**A:** Typically, packaged products and paper bags can be identified by a "Genuine Eureka Product" symbol (see illustration above). For further identification assistance, you may call our toll-free number, 1-800-282-2886, for the location of a nearby Eureka Authorized Warranty Station.

**Q:** Are there any differences between "made to fit" or "imitation" and Genuine Eureka paper bags, belts, and parts?

**A:** Yes, there are some very important differences in materials, quality, and reliability. Many customers have mistakenly purchased "imitation" paper bags and parts while thinking they purchased genuine. Unfortunately, many of these customers discovered the differences after they experienced related difficulties.

**For Genuine Eureka Value, Accept No Imitations!**

**THE EUREKA COMPANY**

Bloomington, Illinois 61701

Household Warranty  
abs 190

### Further Limitations and Exclusions

Any warranty that may be implied in connection with your purchase or use of the cleaner, including any warranty of Merchantability or any warranty for Fitness For A Particular Purpose is limited to the duration of this warranty. Some states do not allow limitations on how long an implied warranty lasts, so the above limitations may not apply to you.

Your relief for the breach of this warranty is limited to the relief expressly provided above. In no event shall Eureka be liable for any consequential or incidental damages you may incur in connection with your purchase or use of the cleaner. Some states do not allow the exclusion or limitation of incidental or consequential damages, so the above limitation or exclusion may not apply to you.

This warranty gives you specific legal rights. You may also have other rights which vary by state.

Part No. 59806B (5/01) ©2009 Electrolux Home Care Products Inc. Printed in China

# IMPORTANT SAFEGUARDS

When using an electric appliance, basic precautions should always be followed, including the following:

## READ ALL INSTRUCTIONS BEFORE USING THIS VACUUM CLEANER

### WARNING

To reduce the risk of fire, electric shock, or injury:

- Do not use outdoors or on wet surfaces.
- **Do not leave vacuum cleaner when plugged in.** Turn off the switch and unplug the electrical cord when not in use and before servicing.
- Do not allow to be used as a toy. Close attention is necessary when used by or near children.
- Use only as described in this manual. Use only manufacturer's recommended attachments.
- Do not use with damaged cord or plug. If vacuum cleaner is not working as it should, has been dropped, damaged, left outdoors, or dropped into water, return it to a service center before using.
- Do not pull or carry by cord, use cord as a handle, close a door on cord or pull cord around sharp edges or corners. Do not run vacuum cleaner over cord. Keep cord away from heated surfaces.
- Do not use extension cords or outlets with inadequate current carrying capacity.
- Turn off all controls before unplugging.
- Do not unplug by pulling on cord. To unplug, grasp the plug, not the cord.
- Do not handle plug or vacuum cleaner with wet hands.
- Do not put any object into openings. Do not use with any opening blocked; keep free of dust, lint, hair, and anything that may reduce airflow.
- This vacuum cleaner creates suction. Some models contain a revolving brush roll. Keep hair, loose clothing, fingers, and all parts of body away from openings and moving parts.
- Do not pick up anything that is burning or smoking, such as cigarettes, matches, or hot ashes.
- Do not use without dust cup filter in place.
- Use extra care when cleaning on stairs.
- Do not use to pick up flammable or combustible liquids such as gasoline, or use in areas where they may be present.
- Store your cleaner indoors in a cool, dry area.
- Keep your work area well lighted.
- Unplug electrical appliances before vacuuming them.

# SAVE THESE INSTRUCTIONS

2

# CONSEILS DE SÉCURITÉ

Lors de l'utilisation d'un appareil électrique, quelques précautions élémentaires doivent être observées, incluant les suivantes:

## LISEZ TOUTES LES INSTRUCTIONS AVANT D'UTILISER VOTRE ASPIRATEUR.

### AVERTISSEMENT

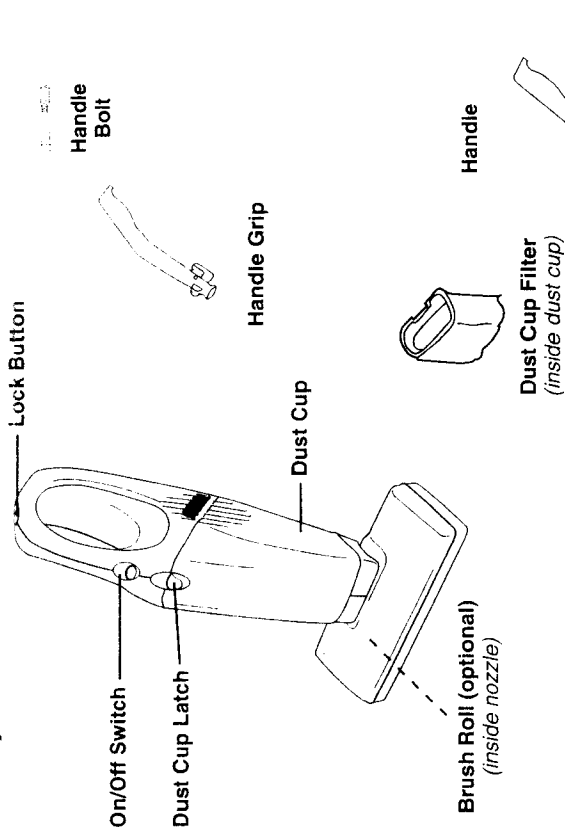
Pour réduire le risque de feu, de choc électrique ou blessure:

- N'utilisez pas à l'extérieur ou sur une surface mouillée.
- **Ne quitte pas l'aspirateur lorsqu'il est branché.** Fermer le poste et débrancher la corde électrique lorsqu'il n'est pas en marche et/ou avant de le repérer.
- N'utilisez pas comme un jouet. Portez attention l'orsque vous l'utilisez pies ou par un enfant.
- Utilisez seulement comme décrit dans ce livret. Utilisez seulement les accessoires recommandés par le fabricant.
- N'utilisez pas avec une corde ou prise endommagée. Si l'aspirateur ne fonctionne pas comme il le faut, s'il a été échappé, endommagé, laisse à l'extérieur, ou échappe dans l'eau, retourne l'aspirateur a un centre de réparation avant de s'en servir.
- Ne tirez pas et ne portez pas par le corde, utilisez la corde comme une poignée, fermez un porte sur la corde, ou tirez la corde autour des coins aigu. Ne passez pas l'aspirateur sur la corde. Eloignez la corde des surfaces chaudes.
- N'utilisez pas la corde électrique ou la prise de courant avec insuffisamment de capacité de courant.
- Fermez tout les contrôle avant de débrancher.
- Ne débranchez pas en tirant sur la corde. Pour débrancher saisir la prise, non la corde.
- Ne touchez pas la prise ou l'aspirateur avec les mains mouillées.
- Ne mettez aucun objets dans les ouvertures. N'utilisez pas avec des ouvertures bouchées; gardez libre de poussière, tissu ouate, cheveux et n'importe quoi qui peut réduire la courant atmosphérique.
- Cet aspirateur crée de la suction. Quelque modèles contient un rouleau-brosse tournant. Tenir les parties mobiles et les ouvertures loin des cheveux, des habits, des doigts et de toute partie du corps.
- Ne ramassez rien qui brûle ou fument, tel que cigarettes, allumettes, ou des cendres chaudes.
- N'utilisez pas sans le filtre de tasse de poussière en place.
- Utilisez des précautions lorsque vous nettoiyé sur des escaliers.
- N'utilisez pas pour ramasser des liquides inflammable ou combustible, tel que de l'essence, ou utilise dans les endroits ou ses derniers peuvent être présent.
- Entreposez votre aspirateur a l'intérieur dans un endroit propre et sec.
- Garder votre lieu de travail bun éclairé.
- Débrancher les appareils électrique avant de les balayer.

# CONSERVEZ CES INSTRUCTIONS

3

## Identify Parts



## HOW TO ASSEMBLE Assemble completely before using.

### 1. Attach Handle

- Use your thumb to pull back on the lock button.
- Push handle into top of cleaner. Insert end with black knob into the cleaner.
- Release lock button and rotate handle until it locks into place.

### 2. Attach Handle Grip

- Locate the handle bolt in the accessory package.
- Align the hole in the handle with the hole in the handle grip and secure with the 2-part handle bolt; see Detail A. Tighten the handle bolt.

To reduce the risk of electric shock, this appliance has a polarized plug (one blade is wider than the other). This plug will fit in a polarized outlet only one way. If the plug does not fit fully into the outlet, reverse the plug. If it still does not fit, contact a qualified electrician to install the proper outlet. Do not change the plug in any way.

**Afin de réduire le risque de choc électrique**, cet appareil est muni d'une fiche polarisée (une des lames est plus large). Cette fiche ne peut être insérée dans une prise polarisée que d'une seule façon. Si la fiche ne peut être insérée dans la prise, retourner la fiche. Si la fiche ne peut toujours pas être insérée dans la prise, faire installer une prise adéquate par un électricien qualifié. Ne pas modifier la fiche.

## GENERAL INFORMATION

Use the cleaner to pick up dirt and dust particles. Avoid picking up hard or sharp objects that could damage the vacuum cleaner.

## Service Information

The instructions in this booklet serve as a guide to routine maintenance. For additional service information, telephone our toll free number for the nearest Eureka Authorized Warranty Station. **You should know the model, type and serial number or date code when you call:**

**USA: 1-800-282-2886**  
**Mexico: 5670-6169**  
**Canada: 1-800-282-2886**

If you prefer, you can write to The Eureka Company, Service Division, 807 North Main Street, Bloomington, Illinois 61701, USA. In Canada write to The Eureka Company, 866 Langs Drive, Camb ridge, Ontario N3H 2N7. Refer to The Eureka Warranty for complete service information.

**DO NOT OIL the motor or the brush roll. The motor and brush roll are permanently sealed and lubricated.**

## Rating Plate

The rating plate on the back of the vacuum cleaner shows the model number. For prompt and complete service, always refer to these numbers.

Model and Type NO. \_\_\_\_\_

Serial No. or Date Code \_\_\_\_\_

THE EUREKA COMPANY BLOOMINGTON, ILLINOIS 61701 USA HOUSEHOLD TYPE		
MODEL	TYPE	SERIAL #

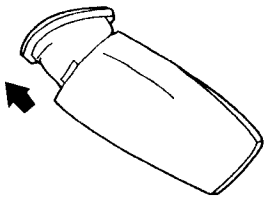
## Clean Dust Cup Filter

**NOTE:** Turn off the power switch and unplug the electrical cord to service.  
Clean the dust cup filter as necessary.

1. Remove dust cup.
2. Pull dust cup filter out of dust cup.
3. Shake and brush the dust and dirt from filter.
4. If desired, launder the filter by hand in warm water using a mild detergent.

**NOTE:** The dust cup filter is **not** dishwasher safe. **Do not** put in dishwasher.

5. Air dry thoroughly.
6. Replace filter in dust cup by pushing the seal located at the top in firmly to ensure proper filter performance.



Replace a dirty or torn filter. Order additional dust cup filters from The Eureka Company, Bloomington, IL 61701. Order dust cup filter, part number 61544. To place an order please telephone 1-800-282-2886.

## Clean Brush Roll (on some models)

**NOTE:** Turn off the power switch and unplug the electrical cord to service.

The brush roll turns to sweep and comb the carpet nap. Keep the brush roll free from hair and threads so it will continue cleaning. When the bristles of the brush roll no longer touch a piece of cardboard held across the bottom plate, the brush roll is ineffective because the bristles no longer touch the carpet nap. To maintain the most effective cleaning, install a new brush roll.

## IMPORTANT / IMPORTANTE

MODEL NUMBER / NUMERO DE MODELO  
TYPE / TIPO  
SERIAL NUMBER / NUMERO DE SERIE  
Be sure to include your model, type and serial numbers. These numbers may be found on the rating plate. Asegurese de incluir los numeros de modelo, tipo y serie. Estos numeros se encuentran en la placa de datos.

**By Mail: / Por Correo:**  
Simply fill out this Order Form. Please be sure to include your phone number. Llene simplemente este formulario de pedido. Asegurese de incluir su numero telefonico.

**SHIP TO: / ENVIAR A:**  
Name / Nombre  
Address / Direccion  
City / Ciudad  
State / Estado  
Zip Code / Código Postal  
Telephone (Very Important / Telefono (Muy Importante))

**PAYMENT: / PAGO:**  
Check or money order. Do not send currency. (No O.D. Orders (no se aceptan ordenes de pago en moneda extranjera).  
Cheque o giro postal. No envie dinero en efectivo.  
 VISA  DC  MC  AMEX  
ACCT. NUMBER / NUMERO DE CUENTA  
EXPIRATION DATE / FECHA DE VENCIMIENTO

SIGNATURE (full name as shown on acct.)  
Firma (Nombre completo como aparece en la cuenta)  
Electrolux Home Care Products, Inc.  
P.O. Box 3900  
Peoria, IL 61612

**eureka!**  
For orders in US  
Para pedidos en los EE.UU.

**PARTS ORDER FORM FORMULARIO DE PEDIDO DE PIEZAS**

For faster service, visit us Online  
Para obtener un servicio más rápido.  
www.EUREKA.com

By Phone: 1-800-282-2886  
Por Telefono:

Hours: Call, fax, e-mail, or direct dial. Service is available 24 hours a day.  
Horas: Llame, envíe fax, correo electrónico o llame directamente. El servicio está disponible las 24 horas.

Genuine Eureka Accessories, Bags, Belts and Filters  
Accesorios, bolsas, correas y filtros legítimos Eureka

Part No.	Qty.	Price (USD)	Total
61544		\$3.99	
61676		\$3.49	
60778		\$15.49	
60776		\$26.00	

TOTAL: Precios sujetos a modificación sin previo aviso	④	
TAX: (add state tax and local taxes as required by law) IMPUESTOS: (agregar el impuesto estatal y los impuestos locales según las leyes)	⑤	\$7.50
POSTAGE AND HANDLING CHARGE / GASTOS DE ENVÍO	⑥	
TOTAL ENCLOSED (A + B + C = D) / TOTAL INCLUIDO (A + B + C = D)	⑦	

Printed in China  
Impreso en China  
PN 59814A (02/09)  
©2009 Electrolux Home Care Products, Inc.

# THE EUREKA LIMITED WARRANTY

## What This Warranty Covers

Your Eureka cleaner is warranted to be free from all defects in material and workmanship in normal household use for a period of one year. The warranty is granted only to the original purchaser and members of his or her immediate household. The warranty is subject to the following provisions.

## What This Warranty Does Not Cover

- Parts of the cleaner that require replacement under normal use, such as disposable dust bags, filters, drive belts, light bulbs, and brush roll brushes.
- Damages or malfunctions caused by negligence, abuse, or use not in accordance with the Owner's Guide.
- Defects or damages caused by unauthorized service or the use of other than genuine Eureka parts.

## What The Eureka Company Will Do

The Eureka Company will, at its option, repair or replace a defective cleaner or cleaner part that is covered by this warranty. As a matter of warranty policy, the Eureka Company will not refund the consumer's purchase price.

## Warranty Registration

Please fill out and return the warranty registration card accompanying your cleaner.

## Obtaining Warranty Service

To obtain warranty service you must return the defective cleaner or cleaner part along with proof of purchase to any Eureka Authorized Warranty Station. You will find the nearest location in the Yellow Pages, under "Vacuum Cleaners-Service and Repair." Be certain that the Warranty Station is "Eureka Authorized."

For the location of the nearest Eureka Authorized Warranty Station or for service information, telephone toll free:

USA: 1-800-282-2886  
Mexico: 5670-6169  
Canada: 1-800-282-2886

If you prefer, you can write to The Eureka Company, Service Division, 807 North Main Street, Bloomington, Illinois 61701. In Canada write to The Eureka Company, 8661 Angus Drive, Cambridge, Ontario N3H 2N7.

If it is necessary to ship the cleaner outside your community to obtain warranty repair, you must pay the shipping charges to the Eureka Authorized Warranty Station. Return shipping charges will be paid by the Warranty Station. When returning parts for repair, please include the model type, and serial numbers from the data plate on the cleaner.

**IMPORTANT / IMPORTANT**

MODEL NUMBER \_\_\_\_\_ TYPE \_\_\_\_\_  
 SERIAL NUMBER \_\_\_\_\_  
 NUMERO DE SERIE \_\_\_\_\_

Be sure to include your model, type and serial numbers. These numbers may be found on the rating plate. Veuillez à joindre vos numéros de modèle, type et série. Ces numéros figurent sur la plaque du constructeur.

**By Mail: / Par Courrier:** Simply fill out this Order Form. Please be sure to include your phone number. Veuillez compléter ce bon de commande. Ajoutez à joindre votre numéro de téléphone.

**SHIP TO: / EXPÉDIER À:**

Name / Nom \_\_\_\_\_  
 Address / Adresse \_\_\_\_\_  
 City / Ville \_\_\_\_\_  
 State / État \_\_\_\_\_ Zip Code / Code Postal \_\_\_\_\_

Telephone (Very Important) / Téléphone (Très Important) \_\_\_\_\_

**PAYMENT: / PAIEMENT:** (Use O.D. Checks / Utilisez des chèques d'ordonnance / Remboursement / Check or money order. Do not send currency. / Chèque ou mandat. N'envoyez pas d'espèces.)

VISA  DC  MC  AMEX

ACCT. NUMBER / NUMERO DE COMPTE \_\_\_\_\_  
 EXPIRATION DATE \_\_\_\_\_  
 DATE D'EXPIRATION \_\_\_\_\_

**SIGNATURE (Full name as shown on acct.)** \_\_\_\_\_  
**PAYABLE TO: / À L'ORDRE DE:** \_\_\_\_\_  
 Electrolux Home Care Products Canada  
 5855 Terry Fox Way  
 Mississauga, Ontario L5V 3E4

**Parts Order Form**

For orders in Canada: **eureka!** Pour les commandes au Canada

For faster service, visit us (online) **www.EUREKA.com**  
 Passez nous voir en ligne. Pour un service plus rapide.

By Phone: **1-800-282-2886** Au Téléphone: \_\_\_\_\_

**HOURS:** Call Monday through 5pm. For call center assistance, please refer to the instructions on the back of this form.  
**HOURS:** Appeler du lundi au vendredi de 9h à 17h. Pour une assistance par téléphone, veuillez consulter les instructions sur le verso de ce formulaire.

Genuine Eureka accessories, bags, belts and filters. Accessoires Eureka, sacs, courroies et filtres Eureka authentiques.

Part No.	Qty.	Price/each	Total
61544	1	61.54	61.54
61676	1	61.68	61.68
60778	1	60.78	60.78
60776	1	60.76	60.76

Accessories, bags, belts and filters. Accessoires, sacs, courroies et filtres Eureka authentiques.

**Price / Prix**

**www.eureka.com** 1-800-282-2886

For pricing, see our website or call / Pour la tarification, voyez notre site web ou appelez

**TOTAL: / prix sujet à des modifications sans avertissement**

**TAX:** (Add state tax and local taxes as required by law) / TAXE: (Ajouter les taxes de l'état et les taxes locales comme cela est exigé par la loi)

**POSTAGE AND HANDLING CHARGE / FRAIS DE MANUTENTION ET D'ENVOIS**

**TOTAL ENCLOSED (A + B + C + D) / TOTAL CLOUT (A + B + C + D)**

PN 59814A (02/09) ©2009 Electrolux Home Care Products, Inc.

## Free Manuals Download Website

<http://myh66.com>

<http://usermanuals.us>

<http://www.somanuals.com>

<http://www.4manuals.cc>

<http://www.manual-lib.com>

<http://www.404manual.com>

<http://www.luxmanual.com>

<http://aubethermostatmanual.com>

Golf course search by state

<http://golfingnear.com>

Email search by domain

<http://emailbydomain.com>

Auto manuals search

<http://auto.somanuals.com>

TV manuals search

<http://tv.somanuals.com>