

Performance

Dual rated 208/230 volt operation

1½ to 5 tons

External sweat refrigerant connections

TXV – factory installed standard, which precisely controls refrigerant distribution for improved comfort and cost savings

Standard Features

Multiposition installation, upflow or horizontal left standard, horizontal right and downflow with minor modifications

3-speed, permanently-lubricated PSC direct drive blower motor is resilient mounted for ultra quiet, vibration-free operation and flexible installation

Foil faced insulation reduces noise and bacterial growth and features an easy to clean surface area

All indoor coils have copper tubing and aluminum fins

Time Delay relay comes standard and allows for retro-fit installations

3/4" primary and secondary drains on all models

Ultra Quiet Series Electric Air Handler

1½ thru 5 Tons

208/230 Volt, 1-Phase, 60 Hz

The Fedders multi-position air handlers, when matched with our air conditioners or heat pumps, offer a complete line of quiet, efficient split systems for today's heating and cooling equipment.

Easy To Install And Service

Breaker accessible from front of unit when heater applied

External Access to heater circuit breakers pull / disconnects

Provisions for field installed electrical connections from either side of air handler cabinet

Built in filter rack

Pressure taps on suction and liquid line

Corrosion resistant condensate drain pan. Primary and secondary drain

Optional Features

Field installed heater packages from 5 kW – 20 kW

Warranty

5-year limited parts warranty



Rated in Accordance with ARI Standard 210/240. Certification Applies Only When Used with Proper Components as Listed with ARI. Additional rating information can be found at www.aridirectory.org



MODEL	TONS	REFRIGERANT	AIR FLOW RANGE (CFM)	DIMENSIONS H x W x D (in)	RECOMMENDED FILTER SIZE H x W x D (in)	SHIP/ OPERATIONS WEIGHT (lbs)
AFPB24A1	1.5 - 2	R-22	625 – 900	43 3/8 x 18 x 22	16 x 20 x 1	115 / 109
AFPB24B1	1.5 - 2	R-22	615 – 880	43 3/8 x 18 x 22	16 x 20 x 1	120 / 113
AFPB36A1	2.5 - 3	R-22	950 – 1,260	43 3/8 x 18 x 22	16 x 20 x 1	120 / 113
AFPC48A1	3.5 - 4	R-22	1,190 – 1,590	48 3/8 x 22 x 26	20 x 25 x 1	161 / 152
AFPC48B1	4	R-22	1,195 – 1,590	48 3/8 x 22 x 26	20 x 25 x 1	167 / 160
AFPC60A1	5	R-22	1,340 – 1,895	48 3/8 x 22 x 26	20 x 25 x 1	167 / 160
AZFPC60B1	5	R-410A	1,340 – 1,895	48 3/8 x 22 x 26	20 x 25 x 1	167 / 160

Product Specifications

PHYSICAL DATA							
MODEL NUMBER	AFB24A1	AFB24B1	AFB36A1	AFPC48A1	AFPC48B1	AFPC60A1	AZPC60B1
ELECTRIC DATA (208/230 VOLT, SINGLE PHASE, 60 Hz)							
VOLTAGE	208 / 230	208 / 230	208 / 230	208 / 230	208 / 230	208 / 230	208 / 230
MINIMUM CIRCUIT AMPACITY MCA (AMPS)	15	15	15	15	15	15	15
MAXIMUM OVERCURRENT PROTECTIVE DEVICE - MOCP (AMPS)	15	15	15	15	15	15	15
BLOWER							
FAN MOTOR TYPE	PSC						
HP	1/6	1/6	1/3	1/2	1/2	3/4	3/4
BLOWER DIMENSIONS	9 x 7	9 x 7	9 x 10	9 x 8	9 x 8	10 x 9	10 x 9
COIL DATA							
TYPE	A-COIL						
COIL FACE AREA (ft ²)	4	4	4	5.8	5.8	5.8	5.8
O.D.	3/8"						
ROWS / FPI	2 - 14	3 - 14	3 - 14	3 - 12	4 - 12	3 - 12	4 - 12
REFRIGERANT LINE CONNECTION							
LIQUID LINE CONNECTION SIZE (IN. OD)	3/8	3/8	3/8	3/8	3/8	3/8	3/8
SUCTION LINE CONNECTION SIZE (IN. OD)	3/4	7/8	7/8	7/8	7/8	7/8	7/8
FILTER DATA							
RECOMMENDED FILTER SIZE (H X W X D) (in) (FILTER NOT SUPPLIED)	16 x 20 x 1	16 x 20 x 1	16 x 20 x 1	20 x 25 x 1	20 x 25 x 1	20 x 25 x 1	20 x 25 x 1

Clearance to Combustible Material

Clearances from the air handler to the combustibles are zero inches from all sides, top, and bottom; one inch from discharge air plenum; and the duct within 36 inches of the plenum.

Product Specifications

AIRFLOW PERFORMANCE						
MODEL NUMBER	BLOWER SPEED	MEASURED STATIC PRESSURE INLET TO OUTLET (INCHES WATER COLUMN)				
		0.20	0.30	0.40	0.50	0.60
AFPB24A1	HIGH	925	900	850	795	690
	MEDIUM	800	760	745	670	N/A
	LOW	655	625	600	N/A	N/A
AFPB24B1	HIGH	905	880	830	780	680
	MEDIUM	785	735	730	655	N/A
	LOW	645	615	590	N/A	N/A
AFPB36A1	HIGH	1440	1350	1260	1180	1040
	MEDIUM	1300	1220	1050	940	860
	LOW	1160	1070	950	880	780
AFPC48A1 AFPC48B1	HIGH	1680	1640	1590	1520	1430
	MEDIUM	1440	1410	1380	1340	1250
	LOW	1240	1220	1190	1150	1100
AFPC60A1 AZFPC60B1	HIGH	2230	2105	1990	1895	1725
	MEDIUM	1950	1930	1840	1770	1590
	LOW	1360	1360	1350	1340	1080

Specifications applicable to upflow and horizontal applications.

Air flow shown at the following conditions:

- No heat elements in Air Handler. Decrease CFM 2% for 5 kW, 7.5 kW or 10 kW heat kits. Decrease CFM 1% for 15 kW or 20 kW heat kits.
- 60 Hertz – 230 volts. Decrease CFM 6% for 208 volt operations.
- Dry coil airflow shown.

Accessories

ELECTRIC HEATER KITS

PART NUMBER	DESCRIPTION	USE WITH MODEL SIZE
EEC05N1	5 KW, SINGLE PHASE, WITHOUT CIRCUIT BREAKER	ALL
EEC05B1	5 KW, SINGLE PHASE, WITH CIRCUIT BREAKER	ALL
EEC07N1	7.5 KW, SINGLE PHASE, WITHOUT CIRCUIT BREAKER	ALL
EEC07B1	7.5 KW, SINGLE PHASE, WITH CIRCUIT BREAKER	ALL
EEC10N1	10 KW, SINGLE PHASE, WITHOUT CIRCUIT BREAKER	ALL
EEC10B1	10 KW, SINGLE PHASE, WITH CIRCUIT BREAKER	ALL
EEC15B1	15 KW, SINGLE PHASE, WITH CIRCUIT BREAKER	AFPB36A1, AFPC48A1, AFPC48B1, AFPB60A1, AZFPB60B1
EEC20B1	20 KW, SINGLE PHASE, WITH CIRCUIT BREAKER	AFPB36A1, AFPC48A1, AFPC48B1, AFPB60A1, AZFPB60B1

ELECTRIC HEAT - ELECTRICAL DATA

kW 240 VAC	Phase	No. of Supply Circuits	MBTUH 208/240	Heat Load Amps	SINGLE CIRCUIT SUPPLY				DUAL CIRCUIT SUPPLY									
					Min. Wire ① Ampacity	Max. Fuse ② Size	Wire Size ③		Ground Size ②		Min. Wire Ampacity ①		Max. Fuse Size ②		Wire Size ③		Ground Size ③	
							AWG	MM2	AWG	MM2	Ckt 1	Ckt 2	Ckt 1	Ckt 2	Ckt 1	Ckt 2	Ckt 1	Ckt 2
0	1	1	-	-	5.0	15	14	2.1	14	2.1	-	-	-	-	-	-	-	-
5*	1	1	14.8 / 17.1	20.9	30	30	10	5.3	10	5.3	-	-	-	-	-	-	-	-
7.5*	1	1	22.1 / 25.6	31.3	43	50	8	8.4	10	5.3	-	-	-	-	-	-	-	-
10*	1	1	29.5 / 34.1	41.7	57	60	6	13.3	10	5.3	-	-	-	-	-	-	-	-
15*	1	1 or 2	44.3 / 51.2	62.5	83	90	4	21.2	8	8.4	57	26	60	30	6 / 13.3	10 / 5.3	10 / 5.3	10 / 5.3
20*	1	1 or 2	59.0 / 68.2	83.4	109	110	2	33.6	6	13.3	57	53	60	60	6 / 13.3	10 / 13.3	10 / 5.3	10 / 5.3

NOTES:

*kW does not include motor watts.

① Ampacities and over current protection based on largest air handler motor load. Refer to specific name plate for exact ampacity and overcurrent protection size.

Minimum wire ampacity values are used for sizing field power conductors. Refer to the National Electrical Code (latest version), Article 310, for sizing conductors. NOTE: when more than three current-carrying conductors are in the same conduit, the conductor's ampacity must be derated.

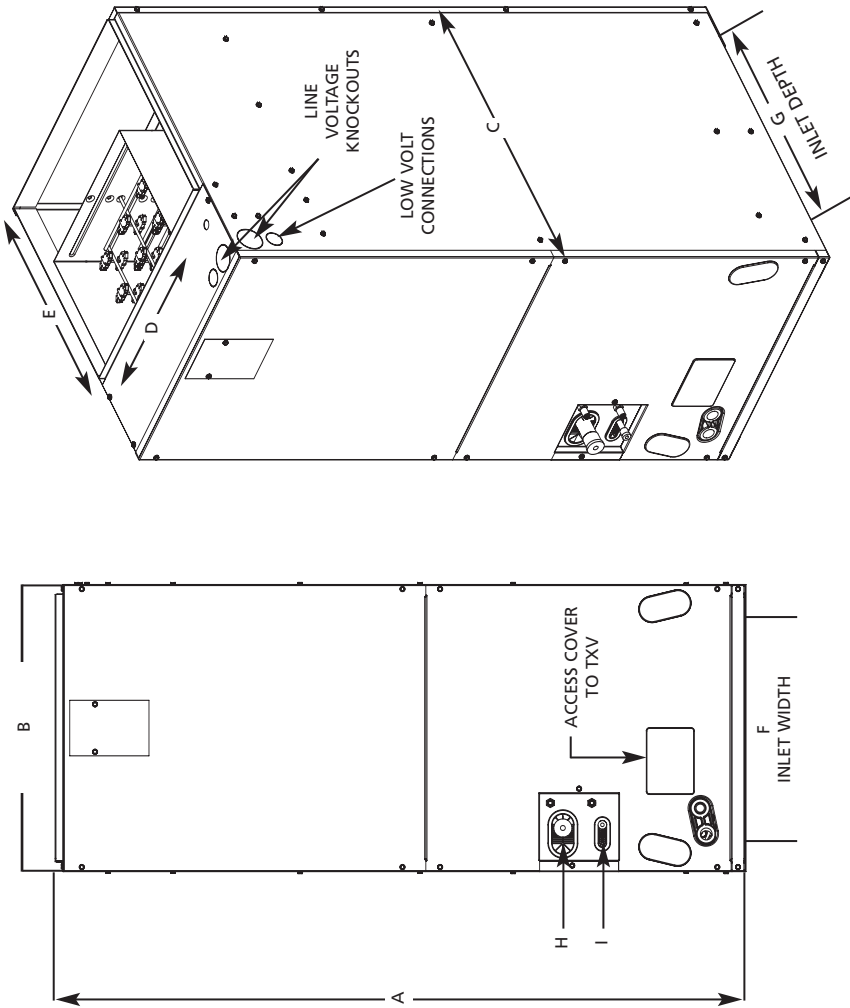
② Maximum size fuse or HACR-type circuit breaker for field wiring protection.

③ Wire size based on 75°C copper wire with no more than three current-carrying conductors in the same conduit.

All wiring must conform to the National Electrical Code and all local codes.

Product Specifications

DIMENSIONS



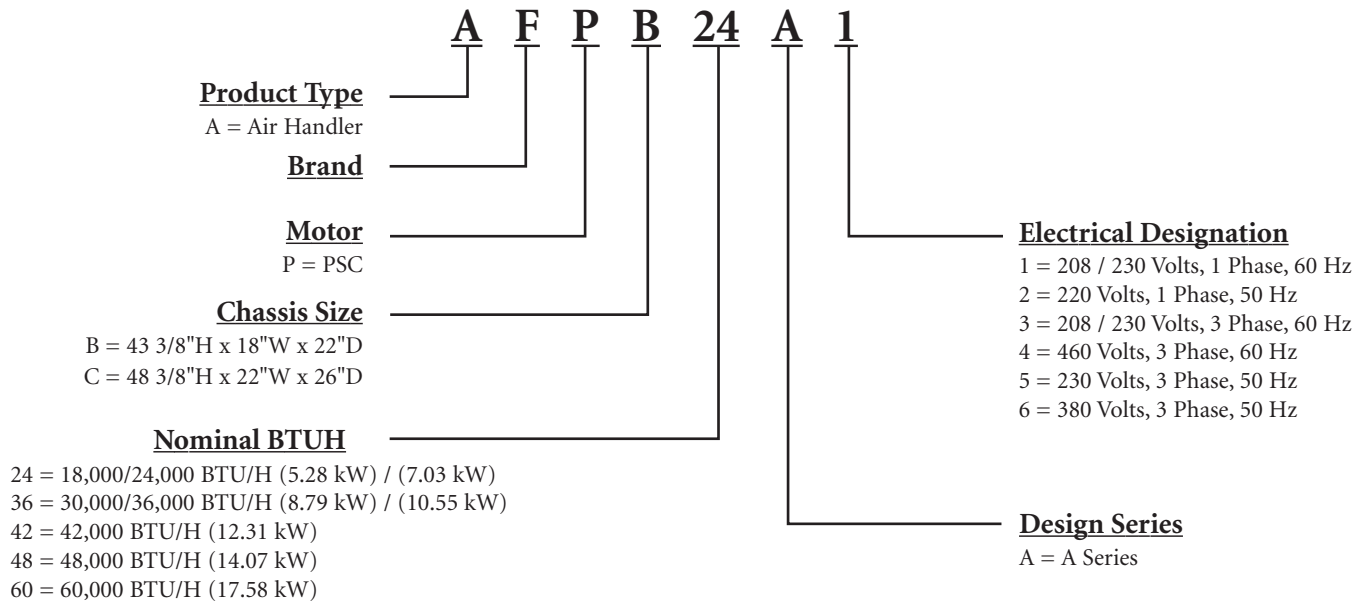
ALL DIMENSIONS IN INCHES

MODELS	A	B	C	D	E	F	G	H	I
AFPB24A1	43 3/8	18	22	17	15	14	15	3/4	3/8
AFPB24B1									
AFPB36A1									
AFPC48A1	48 3/8	22	26	21	19 1/8	18 1/4	18 1/2	3/4	3/8
AFPC48B1									
AFPC60A1									
AZFC60B1									

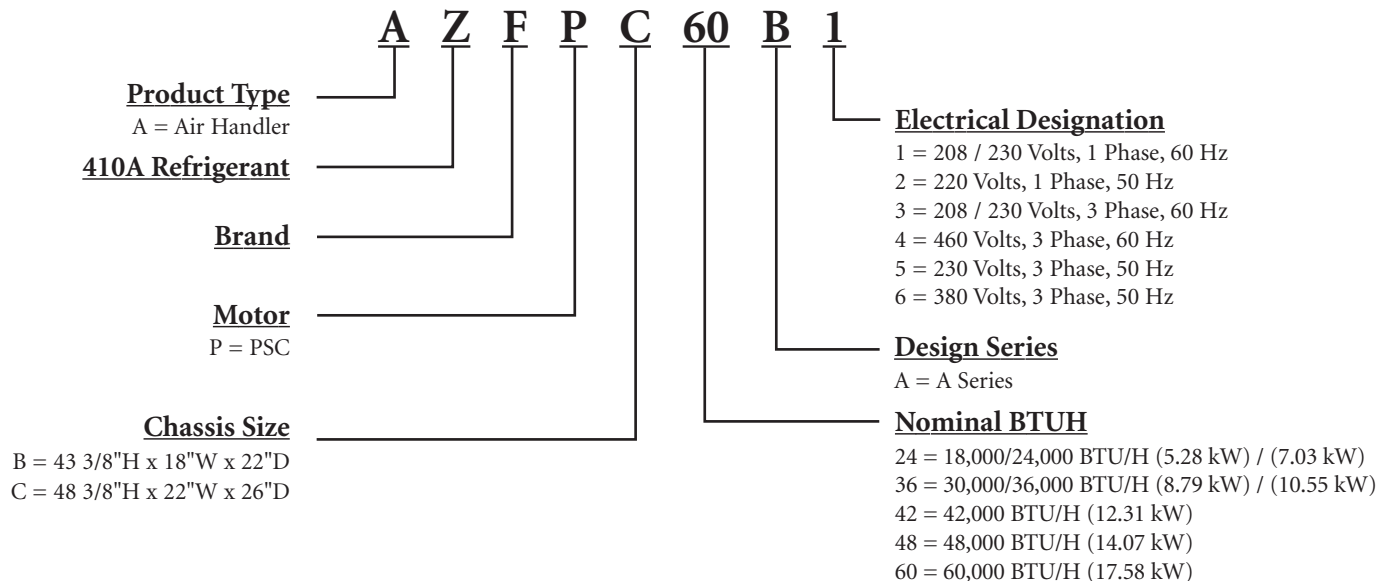
Electric Air Handler

Residential & Light Commercial Air Handler Model Number Identification

R-22 Models



R-410A Models



Fedders Corporation
505 Martinsville Rd.
Liberty Corner, NJ 07938 USA
(908) 604-8686
Form No. F-13AH

All product specifications reflect available information at the printing of this brochure.
Fedders reserves the right to revise or modify products and/or specifications without notice.
Copyright ©2007 Fedders North America, Inc. Fedders is a registered trademark of Fedders North America, Inc.

FD-015-0407-k

Free Manuals Download Website

<http://myh66.com>

<http://usermanuals.us>

<http://www.somanuals.com>

<http://www.4manuals.cc>

<http://www.manual-lib.com>

<http://www.404manual.com>

<http://www.luxmanual.com>

<http://aubethermostatmanual.com>

Golf course search by state

<http://golfingnear.com>

Email search by domain

<http://emailbydomain.com>

Auto manuals search

<http://auto.somanuals.com>

TV manuals search

<http://tv.somanuals.com>