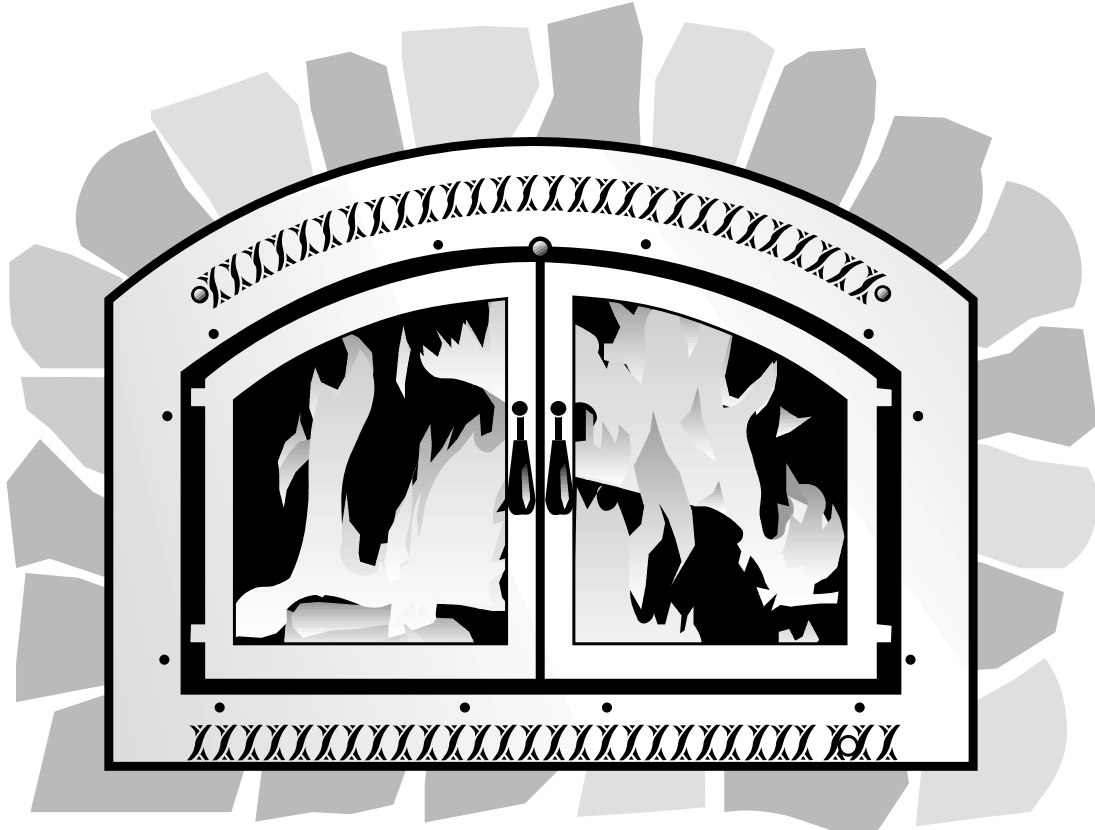




# FIREPLACE XTROORDINAIR™



## 44-Elite Owner's Manual

### SAFETY NOTICE:

If this appliance is not properly installed, a house fire may result. For your safety, follow the installation directions. Contact local building or fire officials about restrictions and installation inspection requirements in your area.



**TRAVIS INDUSTRIES  
HOUSE OF FIRE**  
4800 Harbour Pointe Blvd SW  
Mukilteo, WA 98275

© Copyright 2007, T.I.  
\$10.00 93508094  
4050923



Listed

Tested to: U.L. 127 and  
portions of U.L. 1482 & 907



## Introduction

We welcome you as a new owner of a Fireplace Xtordinaire wood fireplace. In purchasing a Fireplace Xtordinaire you have joined the growing ranks of concerned individuals whose selection of an energy system reflects both a concern for the environment and aesthetics. The Fireplace Xtordinaire is one of the finest home heaters the world over. This manual will explain the installation, operation, and maintenance of this fireplace. Please familiarize yourself with the Owner's Manual before operating your heater and save the manual for future reference. Included are helpful hints and suggestions which will make the operation and maintenance of your new fireplace an easier and more enjoyable experience. We offer our continual support and guidance to help you achieve the maximum benefit and enjoyment from your heater.

## Important Information

No other Fireplace Xtordinaire wood fireplace has the same serial number as yours. The serial number is behind the left side door just inside the firebox.

This serial number will be needed in case you require service of any type.

Model: \_\_\_\_\_

Serial Number: \_\_\_\_\_

Purchase Date: \_\_\_\_\_

Purchased From: \_\_\_\_\_

\_\_\_\_\_



\_\_\_\_\_

\_\_\_\_\_

### Mail your Warranty Card Today, and Save Your Bill of Sale.

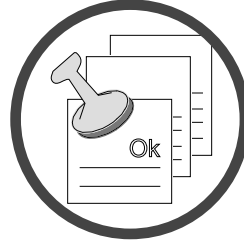
To receive full warranty coverage, you will need to show evidence of the date you purchased your heater. Do not mail your Bill of Sale to us.

We suggest that you attach your Bill of Sale to this page so that you will have all the information you need in one place should the need for service or information occur.

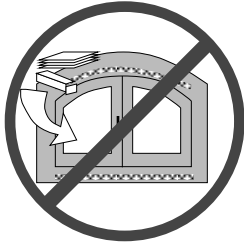
 <p><b>NATIONAL FIREPLACE INSTITUTE</b> <b>NFI</b> <b>CERTIFIED</b> <small>www.nficertified.org</small></p>	<p>We suggest that our woodburning hearth products be installed and serviced by professionals who are certified in the U.S. by the National Fireplace Institute® (NFI) as NFI Woodburning Specialists or who are certified in Canada by Wood Energy Technical Training (WETT).</p>  <p><b>Wood Energy Technical Training</b> <small>www.wettinc.ca</small></p>
--	--



- This fireplace must be installed by a qualified installer. Installation instructions are shipped inside the fireplace and must be strictly adhered to.



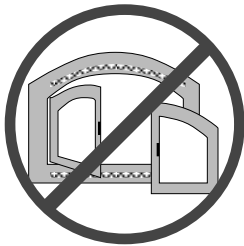
- Contact your local building officials to obtain a permit and information on installation restrictions or inspection requirements in your area. Notify your insurance company of this fireplace.



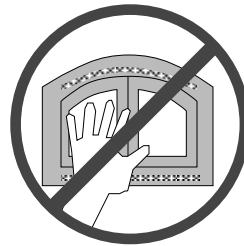
- This fireplace is designed and listed for cord wood only. Burning of any other material will void the warranty and listing and may create a fire hazard.



- Do not store gasoline or other flammables near the fireplace. Do not use gasoline or other flammable liquids to start or invigorate a fire.



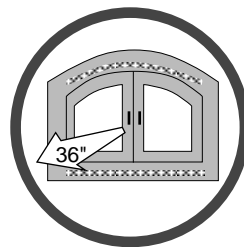
- The door(s) must be closed and latched during operation. Open the door(s) only when re-loading the fireplace or conducting maintenance. This prevents smoke, embers from entering the room.



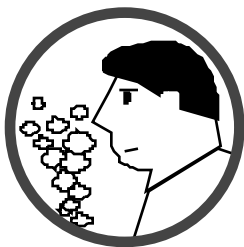
- Do not touch the hot surfaces of the fireplace. Educate all children of the danger of a high-temperature fireplace. Young children should be supervised when they are in the same room as the fireplace.



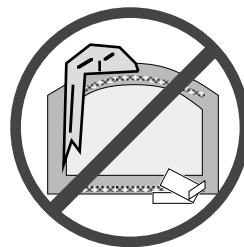
- Ashes must be disposed of in a metal container with a tight fitting lid. Place the container on a non-combustible surface until the ashes have fully cooled before final disposal.



- Keep all furniture or other combustible items at least 36" away from the front of the fireplace (this includes drapes or doors that may swing within 36" of the front of fireplace).



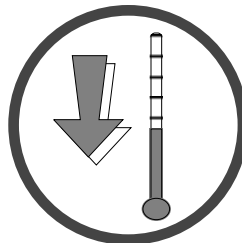
- If you smell smoke, see the section "Smoke Smell in Home" on page 13 of this manual for a remedy.



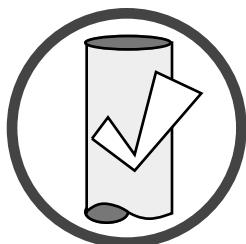
- Do not place clothing or other flammable items on or near the fireplace.
- Never block free airflow through the vents.



- Do not repair, alter, or replace any part of the fireplace and chimney unless instructions are give in this manual. All other work must be done by a qualified service person.



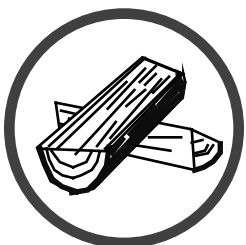
- Allow the fireplace to cool before carrying out any maintenance or cleaning.



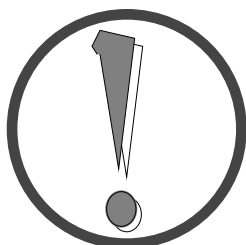
- The chimney must be inspected twice a year for creosote build-up or chimney damage. Creosote build-up must be removed and damage fixed prior to using the fireplace.



- Do not throw this manual away. This manual has important operating and maintenance instructions that you will need at a later time. Always follow the instructions in this manual.



- This fireplace was designed to burn solid wood fuel only (cord wood). Never use treated wood, wax logs, coal, garbage, or other materials. These materials will void the safety listing and may damage the combustor.



- **Travis Industries, Inc. grants no warranty, implied or stated, for the installation or maintenance of your fireplace, and assumes no responsibility of any consequential damage(s).**

## **Introduction**

Introduction.....	1
Important Information .....	1

## **Safety Precautions**

Safety Precautions .....	2
--------------------------	---

## **Specifications**

Features .....	5
Heating Specifications.....	5
Electrical Specifications.....	5
Packing List.....	5
EPA Compliance.....	5

## **Operation**

Safety Notice.....	6
Before Your First Fire.....	6
Verify the Installation.....	6
Curing the Paint .....	6
Over-Firing the Fireplace.....	6
Acid Wash .....	6
Opening the Doors .....	7
Opening the Doors while Fireplace is Hot.....	7
Location of Controls .....	8
Starting a Fire.....	8
Maintaining Catalytic Burn-Off.....	9
Adjusting the Burn Rate.....	10
Blower Operation .....	10
Optional Summer Fan Switch .....	10
Re-Loading the Fireplace.....	11
Overnight Burn.....	11
Normal Operating Sounds.....	11
Hints for Burning.....	11
Selecting Wood .....	12
Dry Wood is Key.....	12
Testing Wood Moisture.....	12
Why Dry Wood is Key.....	12
Wood Cutting and Storage.....	12
Don't Burn Treated Wood, Wax Logs, Etc.....	12
Troubleshooting.....	13

## **Maintenance**

Daily Maintenance (while fireplace is in use) .....	14
Check Ash, Remove if Necessary.....	14
Clean any Gold Surfaces if Necessary.....	14
Twice Yearly Maintenance .....	15
Check Firebrick, Baffle.....	15
Clean Combustor.....	15
Clean the Blower Filter.....	15
Check Door Seal, Adjust if Necessary .....	16
Check Chimney for Creosote Build-Up .....	16
Replacement Parts List.....	17

## **Safety Label**

Safety Label .....	18
--------------------	----

## **Warranty**

Warranty.....	19
---------------	----

## **Optional Equipment**

Temperature Meter.....	20
------------------------	----

## **Index**

Index.....	22
------------	----

## **Features:**

---

- Maximum Log Length of 32"
- Large firebox capacity - 4.3 cu. ft.
- Long burn time - from 10 to 12 Hours
- Large glass doors for maximum visibility
- Firebrick lining for firebox protection
- 388 CFM blower for convection heat and outside combustion air
- Thermostat for automatic control of the blower

## **Heating Specifications**

---

Approximate Heating Capacity ( Will vary with the home's floor plan, insulation, and outside temperature.)	up to 3,000 Square Feet
Maximum Burning Time	Up to 12 Hours
BTU Output per Hour (Cord Wood Method)	10,700 to 76,700

## **Electrical Specifications:**

---

The blower on "HIGH" draws 1.1 Amps on 120 Volts A.C. (approximately 130 watts).

## **Packing List**

---

### **Shipped with the Fireplace:**

- Installation Manual
- Grate
- Baffle
- Blower Assembly
- Ember Strip
- Log Retainer
- Flex Duct w/ start collar – 3' Length, 6" Dia (For Blower)
- Two 12' Flex Ducts, 7" Diameter (For Cooling Vents)
- Two Vent Hoods (For Cooling Vents)
- Two Vent Hood Storm Collars (For Cooling Vents)

### **Shipped with the Faceplate:**

- Faceplate (two switch plate screws are attached)
- Switch Plate (includes blower rheostat)
- 12 Faceplate Screws

### **Shipped with the Door(s):**

- Owner's Manual
- Installation Hardware Pack
- Pair of Gloves
- Efficiency and Registration Cards
- Touch-up Paint

## **EPA Compliance:**

---

This heater meets EPA Phase II requirements (2.5 grams per hour)

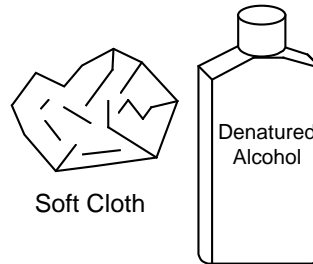
## **Safety Notice:**

- If this appliance is not properly installed, a house fire may result. For your safety, follow the installation directions. Contact local building or fire officials about restrictions and installation inspection requirements in your area.
- Read and follow all of the warnings on pages 2 and 3 of this manual.

## **Before Your First Fire**

### **Clean Any Gold Surfaces**

If you have an optional gold face, clean the surface prior to starting the fireplace. Any marks left on the gold may become etched-in by the heat of the fireplace. Use denatured alcohol and a soft cloth to clean.



### **Verify the Installation**

Before starting the fireplace, verify that the fireplace is properly installed and all of the requirements in the **44 Elite-ZC Installation Manual** have been followed.

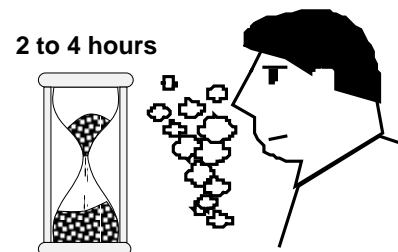
Keep all flammables 36" away from the front of the fireplace (drapes, furniture, clothing, etc.).

Do not use a fireplace insert or other products not specified for use in this fireplace.

### **Curing the Paint**

This heater uses a heat-activated paint that will emit some fumes while starting the first fire. Open doors and windows to the room to vent these fumes. This typically lasts two to four hours. You may also notice oil burning off of the interior of the heater. This rust-stopping agent will soon dissipate.

**Door Gasket** – The door gasket might adhere to the paint on the front of the fireplace. Leave the door slightly ajar for the first fire and be careful when opening the door after the first fire.



### **Over-Firing the Fireplace (Over-Firing may void your warranty)**

This fireplace was designed to operate at a high temperature. But due to differences in vent configuration, fuel, and draft, this appliance can be operated at an excessive temperature. If the area behind the faceplate or other area starts to glow red, you are over-firing the fireplace (this may damage the optional gold surface, internal components, and void the warranty). Do not burn excessively large fires for a long time. Shut the air control down and allow the fireplace to cool if you detect over-firing.

### **Operating the Fireplace During a Power Outage**

This fireplace includes a blower to dissipate heat from the firebox. During power outages build small to medium-sized fires to prevent the fireplace from over-firing (especially if you have a gold face).

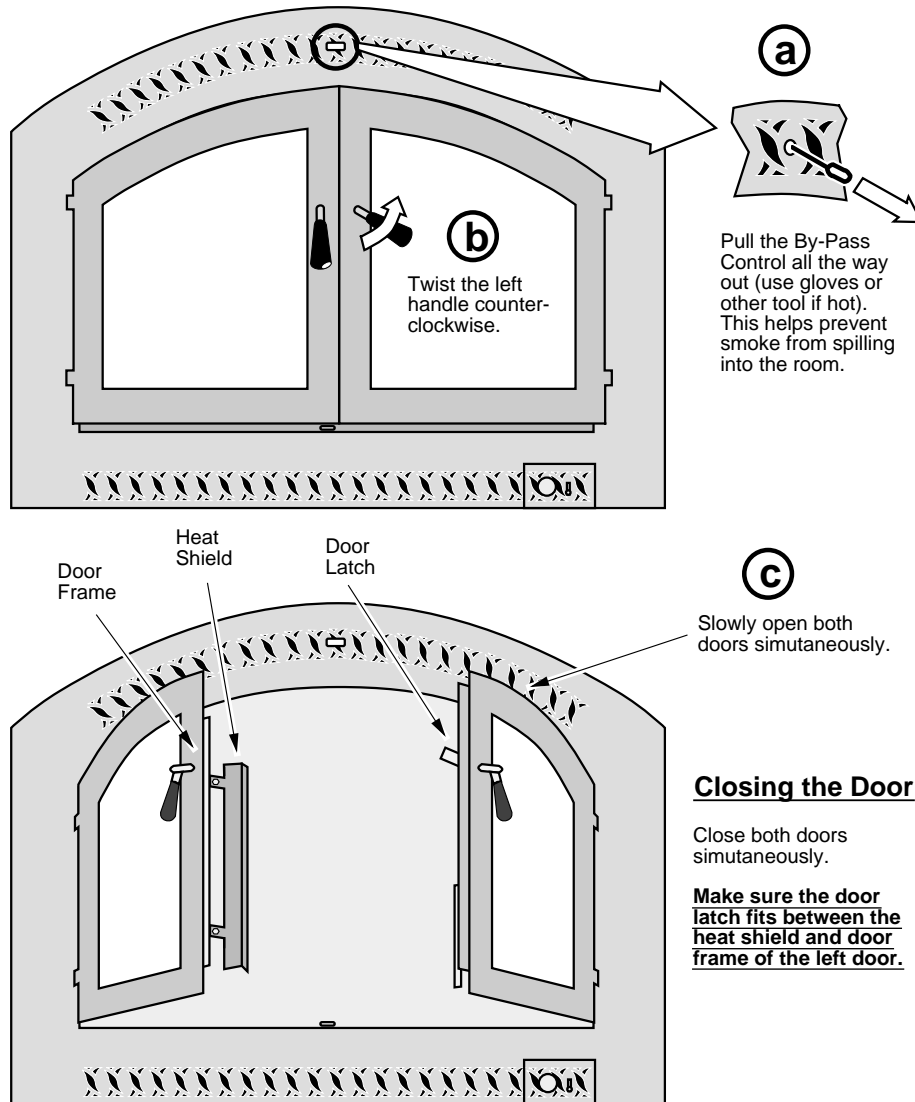
### **Acid Wash**

Some installations utilize a masonry facing or hearth. This masonry is often cleaned with muriatic acid. This acid may damage gold finish once the fireplace reaches temperature. Verify with your mason that all masonry is fully neutralized using ammonia water or other alkaline.



## Opening the Doors

Follow the directions below to open and close the doors.

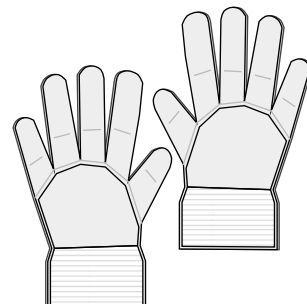


**Warning:** When closing the doors, make sure the door latch does not strike the front of the left side door. This will damage the finish on the doors.

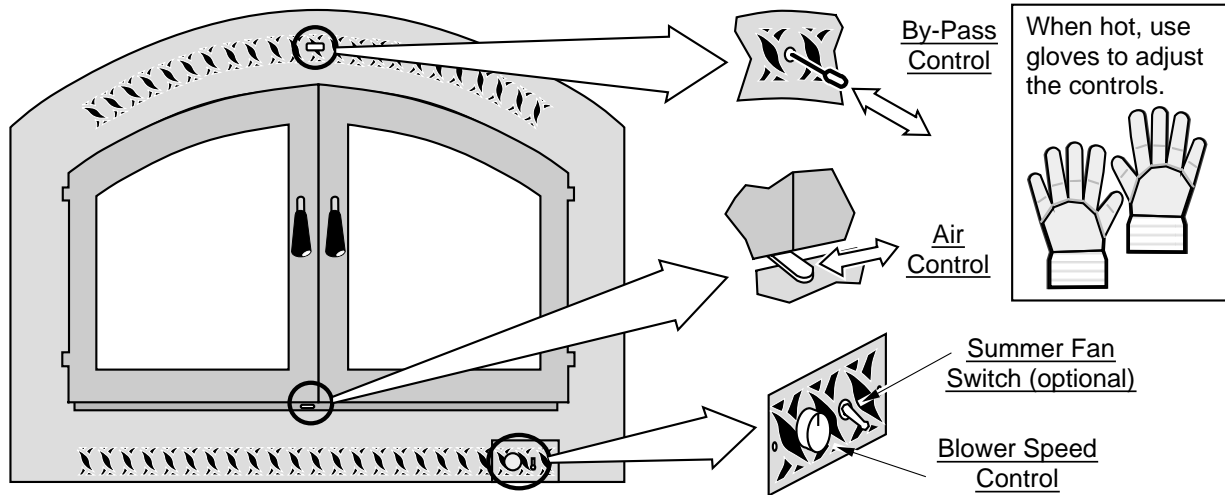
## Opening the Doors while the Fireplace is Hot

**Warning:** Open the by-pass prior to opening the doors. This will help prevent smoke from entering the room. Also, open the doors slowly, to allow airflow inside the firebox to stabilize.

**Warning:** The door handles become hot during operation - use gloves if necessary.



## Location of Controls



## Starting a Fire

Since the dawn of time man has debated the best way to start a fire. Some use the boy-scout "tee-pee", some prefer the "tic-tac-toe" stack. Either way, review the hints and warnings below to ensure proper fire starting.

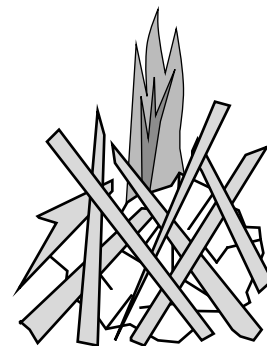
- Make sure the by-pass is open while starting a fire (leave it open for the first 15 minutes).



Make sure the By-Pass is all the way out.



- Make sure the air control is on high. If additional air is needed, open the doors 1/4" during the first five minutes of start-up.
- If the smoke does not pass up the chimney, ball up one sheet of newspaper, place it in the center of the grate and light it. This should start the chimney drafting (this eliminates "cold air blockage").
- **Never** use gasoline, gasoline-type lantern fuel, kerosene, charcoal lighter fluid, or similar liquids to start or "freshen up" a fire in this fireplace. Keep all such liquids well away from the fireplace while it is in use.
- If using a firestarter, use only products specifically designed for fireplaces - follow the manufacturer's instructions carefully.
- Use plenty of kindling to ensure the fireplace reaches a proper temperature. Once the kindling is burning rapidly, place a few larger pieces of wood onto the fire.

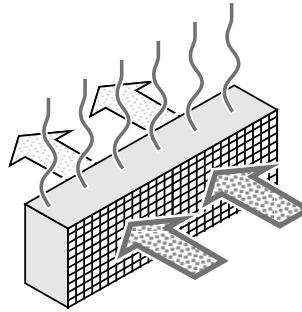


## Maintaining Catalytic Burn-Off

This fireplace uses a catalytic combustor to increase heat transfer to the room and reduce emissions.

The catalytic combustor takes dirty smoke and turns it into extra heat and cleaner emissions.

**NOTE:** If the combustor is engaged (bypass closed) when the fireplace is still cool, it will not work, leading to dirty smoke, no extra heat, and a dirtier combustor.



**Warning:** The bypass control becomes hot during operation - use gloves or a tool to prevent burns.

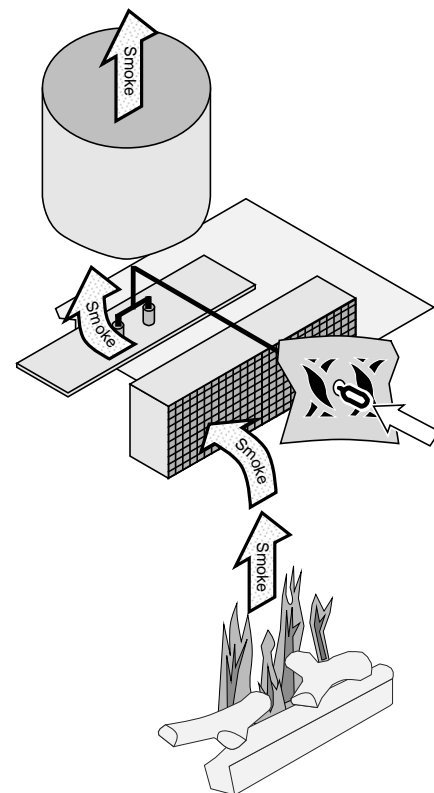
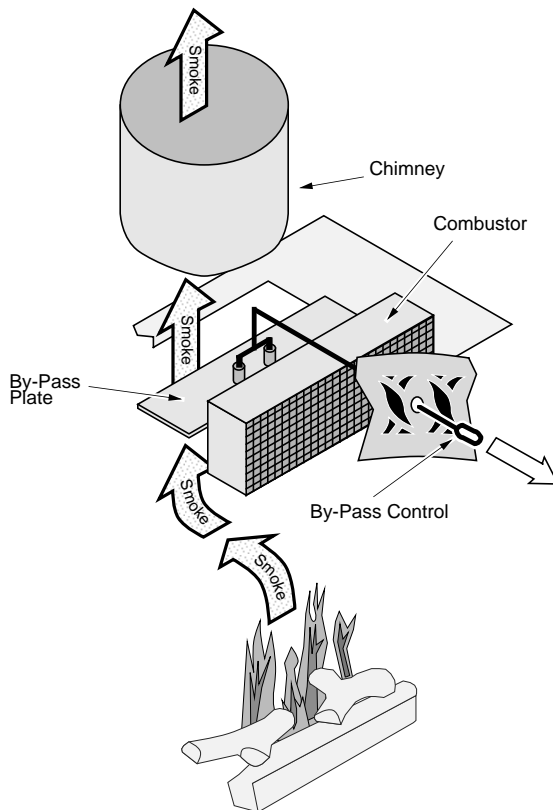
Follow the directions below to utilize the combustor to its fullest potential.

- Keep the by-pass open (pulled out) until the fireplace becomes hot (approximately 15 to 30 minutes).
- Close the by-pass (push in) when the fireplace is hot.
- Keep the by-pass closed (pushed in) while the fireplace is operating, except when re-loading.

**Hint:** The combustor can be viewed through the glass from below. You will notice the combustor glowing red when the combustor is working effectively.

With the by-pass open (pulled out), the smoke passes through the by-pass and does not go through the combustor.

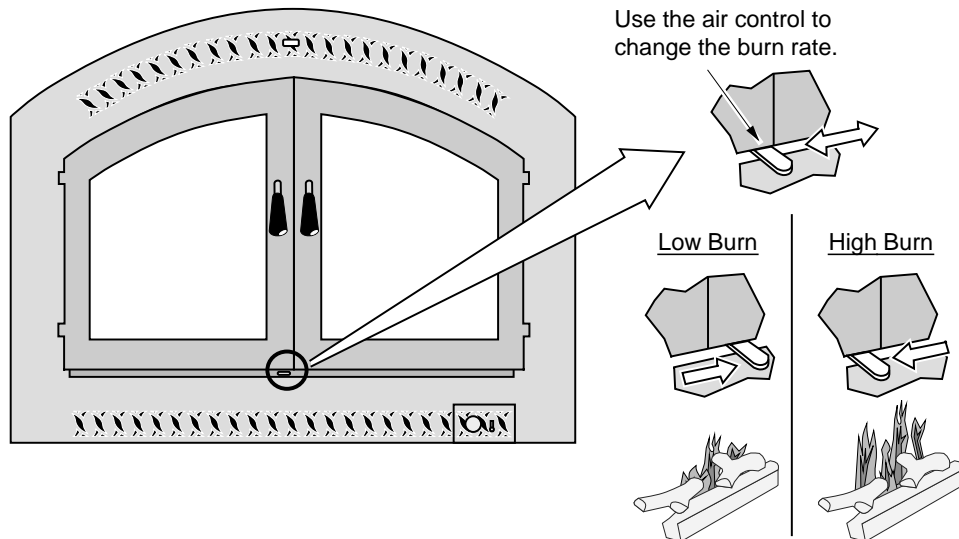
With the by-pass closed (pushed in), the smoke passes through the combustor.



- An optional combustor temperature probe is available from your dealer. It allows you to monitor the combustor temperature, which light off if the temperature is above 600° F.

## Adjusting the Burn Rate

Use the air control slider to control the burn rate of the fireplace. See the illustration below for details.



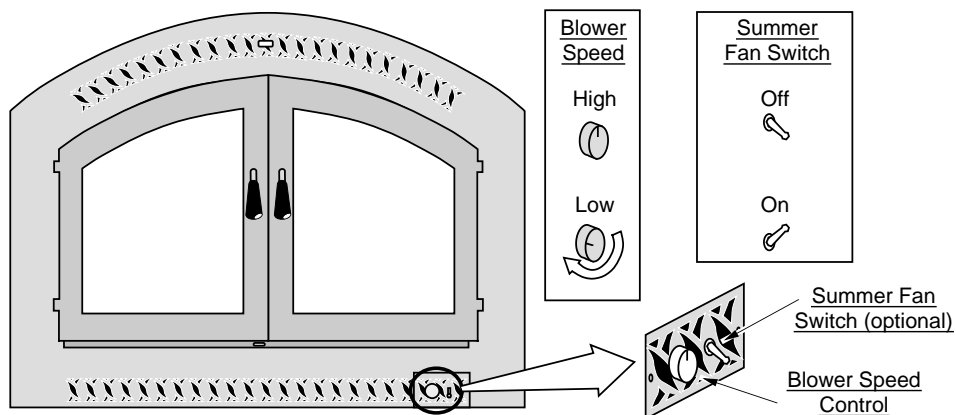
**Warning:** The air control becomes hot during operation - use gloves or a tool to prevent burns.

**Hint:** The air control may take several minutes to influence the burn rate. When making adjustments, you may wish to let the fireplace burn for 10 minutes to gauge performance.

**Hint:** The blower may be used to affect heat output (i.e.: to reduce heat output, turn the blower down).

## Blower Operation

The blower will turn on once the fireplace is up to temperature. This is typically 15 to 30 minutes after starting the fire. Follow the directions below to alter the blower speed.



**Note:** The blower will shut off when the doors are opened.

## Optional Summer Fan Switch

The optional summer fan switch allows the blower to be turned on even if the fireplace is cool. This allows the blower to circulate air into the home during summer months.

## ***Re-Loading the Fireplace***

---

Follow the directions below to minimize smoke spillage while re-loading the fireplace.

- 1 Pull the by-pass out all the way (use a glove or tool).
- 2 Move the air control to high.
- 3 Open the door slightly. Let the airflow inside the firebox to stabilize before opening the doors fully.
- 4 Load wood onto the fire (on top of the grate).

## ***Overnight Burn***

---

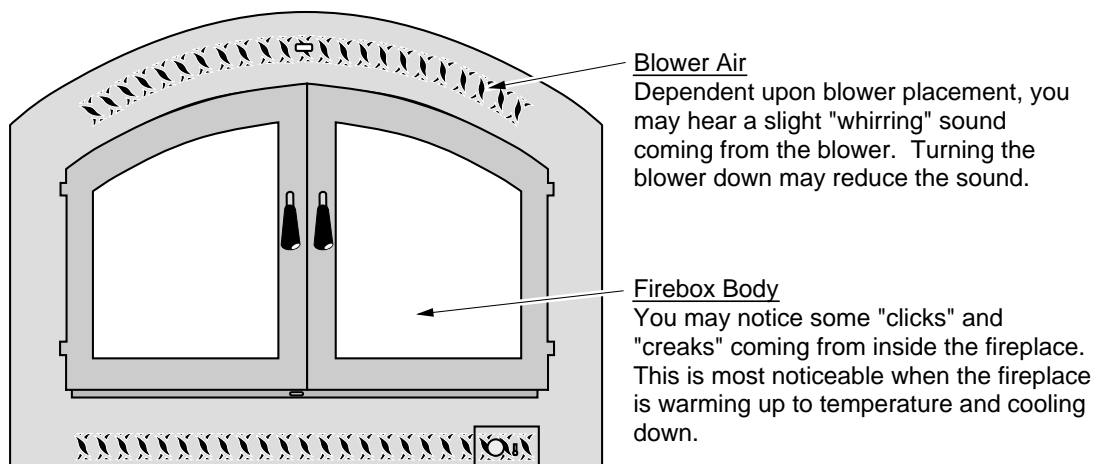
This fireplace is large enough to accommodate overnight, 10 to 12 hour burns. Follow the steps below to achieve an overnight burn.

- 1 Get the fireplace hot by moving the air control to high and letting the fireplace burn for 15 minutes.
- 2 Load as much wood as possible. Use large pieces if possible.
- 3 Let the fireplace burn on high for 15 minutes to keep the fireplace hot, then turn the air control to low.
- 4 In the morning the fireplace should still be hot, with embers in the coal bed. Stir the coals and load small pieces of wood to re-ignite the fire, if desired.

**Note:** Differences in chimney height and draft may lower overall burn times.

## ***Normal Operating Sounds***

---



## ***Hints for Burning***

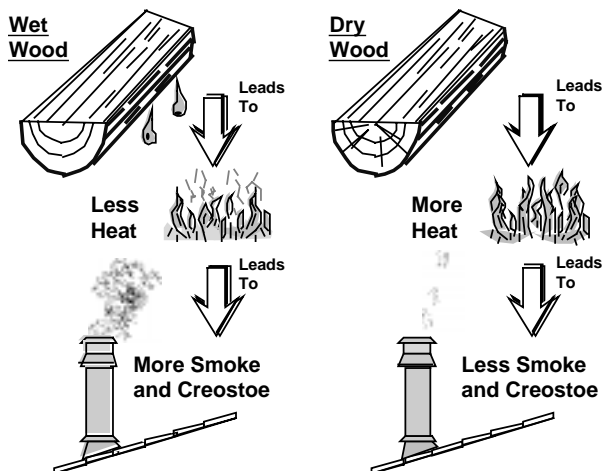
---

- Get the appliance hot before adjusting to low burn
- Use smaller pieces of wood during start-up and high burns to increase temperature
- Use larger pieces of wood for overnight or sustained burns
- Stack the wood tightly together to establish a longer burn
- Leave a bed of ashes (1/2" deep) to allow for longer burns
- Be considerate of neighbors & the environment: burn dry wood only
- Burn small, intense fires instead of large, slow burning fires when possible
- Learn your appliance's operating characteristics to obtain optimum performance

## Selecting Wood

### Dry Wood is Key

Dry wood burns hot, emits less smoke and creates less creosote.



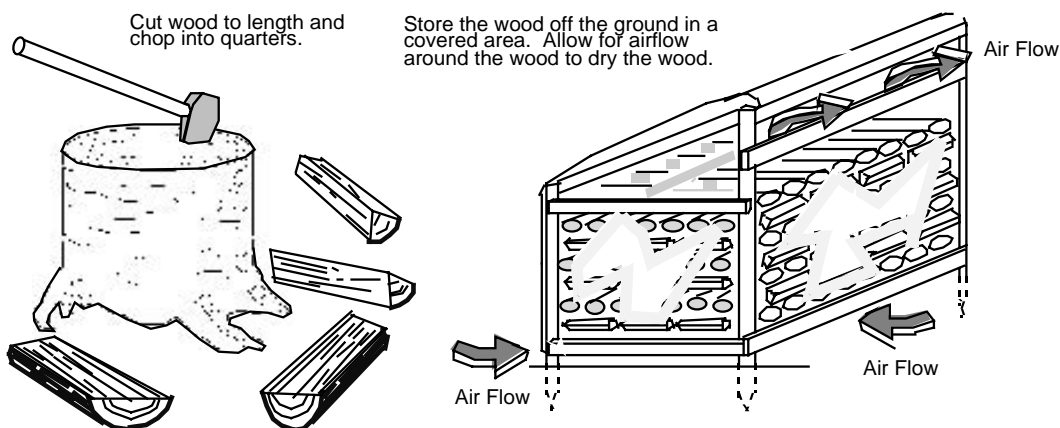
### Testing Wood Moisture

Wood cut, split and stored in a dry area will be fully dry within a year. This insures dry wood. If purchasing wood for immediate use, test the wood with a moisture meter. Some experienced wood burners can measure wood moisture by knocking pieces together and listening for a clear "knock" and not a "thud".

### Why Dry Wood is Key

Wet wood, when burned, must release water stored within the wood. This cools the fire, creates creosote, and hampers a complete burn. Ask any experienced wood burner and he or she will agree: dry wood is crucial to good performance.

### Wood Cutting and Storage



### Don't Burn Treated Wood, Wax Logs, Coal, Garbage, Etc.

This fireplace has a catalytic combustor (see page 9) designed specifically to work with emissions from cord wood. Other fuels may clog or contaminate the combustor, leading to a drastic loss in heat output, increased emissions, and damage to the combustor.

In addition, fuel other than cord wood may burn excessively hot, leading to a serious fire hazard.

## Troubleshooting

Problem	Possible Cause
<b>Smoke Enters Room During Start-Up</b>	<ul style="list-style-type: none"> <li>• Cold Air Blockage - burn a piece of newspaper to establish a draft.</li> <li>• By-pass is Closed - Open the by-pass by pulling the ring above the door all the way out.</li> <li>• Close the doors - if the flame is not getting enough air, first make sure the air control is open (all the way left). If additional air is needed, a small crack in the door is all that is needed.</li> </ul>
<b>Kindling Does Not Start - Fire Smolders</b>	<ul style="list-style-type: none"> <li>• Cold Air Blockage - burn a piece of newspaper to establish a draft.</li> <li>• Not enough starter paper - use additional newspaper if necessary.</li> <li>• By-pass is Closed - Open the by-pass by pulling the ring above the door all the way out.</li> <li>• Not enough air - first make sure the air control is open (all the way left). If additional air is needed, a small crack in the door is all that is needed.</li> </ul>
<b>Smoke Enters Room While Re-Loading</b>	<ul style="list-style-type: none"> <li>• By-Pass not Opened - Open the by-pass (the ring above the doors) using gloves or a tool before opening the door.</li> <li>• Insufficient Draft - Chimney height and outside conditions can negatively affect draft. In these cases a small amount of smoke may enter the home. Adding more pipe or a draft-inducing cap may help.</li> </ul>
<b>Fireplace Does Not Burn Hot Enough</b>	<ul style="list-style-type: none"> <li>• Wood is Wet - see the section "Selecting Wood" on page 12 for details on wood.</li> <li>• Insufficient Draft - Chimney height and outside conditions can negatively affect draft. In these cases the fire may burn slowly. Adding more pipe or a draft-inducing cap may help.</li> <li>• Air Control is Not Wide Open - Make sure the air control is all the way to the left. Slide the control back and forth rapidly to insure the control is not stuck.</li> </ul>
<b>Blower Does Not Run</b>	<ul style="list-style-type: none"> <li>• Fireplace is Not Up to Temperature - This is normal. The blower will come on when the fireplace is hot - usually 15 to 30 minutes.</li> <li>• Electricity is Cut to the Blower - Check the household breaker or fuse to make sure it is operable.</li> </ul>
<b>Faceplate is Cold</b>	<ul style="list-style-type: none"> <li>• This is Normal - The air leading into the firebox comes from the exterior. In some cases this air comes into the firebox and exits up the chimney. This will not damage the fireplace nor cool the home much.</li> </ul>
<b>Fireplace Does Not Burn Overnight</b>	<ul style="list-style-type: none"> <li>• The doors are not sealing - See the section "Check the Door Seal, Adjust if Necessary" on page 16 for details.</li> </ul>

## Daily Maintenance (while fireplace is in use)

### Check Ash, Remove if Necessary

Ash can build up inside the firebox without affecting performance. Generally, remove ash once it has built up over 1" (or more often if desired). Follow the directions below to remove ash.

- 1 Let the fireplace cool completely (at least two hours after the last coal has extinguished).
- 2 Place a cloth or cardboard protector over the hearth to catch ash and protect against scratching.
- 3 Open the doors. Remove the grate and place it on the protector.
- 4 Scoop the ash into an air-tight, metal container. Place a lid over the container and take outside. Store the container away from the structure to ensure the ashes are entirely cold. Then dispose the ashes.



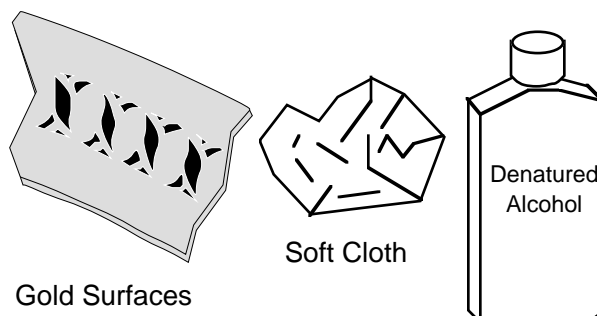
**Warning:** Improperly disposed ashes lead to fires. Hot ashes placed in cardboard boxes, dumped in back yards, or stored in garages, are recipes for disaster.

**Note:** Wood-burning fireplaces are inherently dirty. During cleaning have a vacuum ready to catch spilled ash (make sure ash is entirely extinguished).

**Note:** There are vacuum cleaners specifically made to remove ash (even if the ash is warm). Contact your Fireplace Xtordinary dealer for details.

### Clean any Gold Surfaces if Necessary

With the fireplace cool, clean any gold surfaces. Any marks left on the gold may become etched-in by the heat of the fireplace. Use denatured alcohol and a soft cloth to clean.

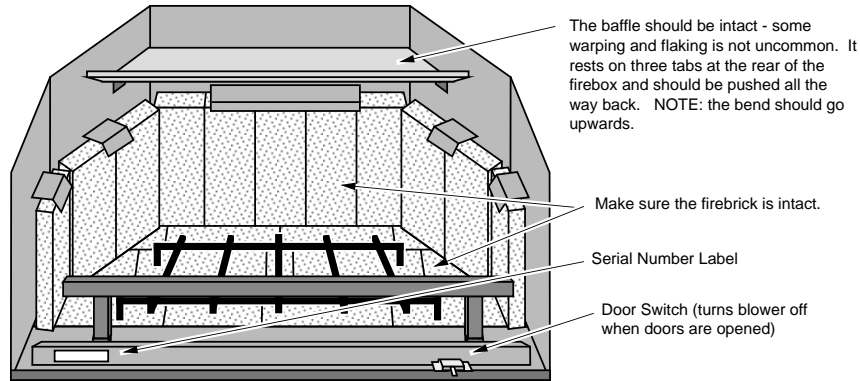




## Twice Yearly Maintenance

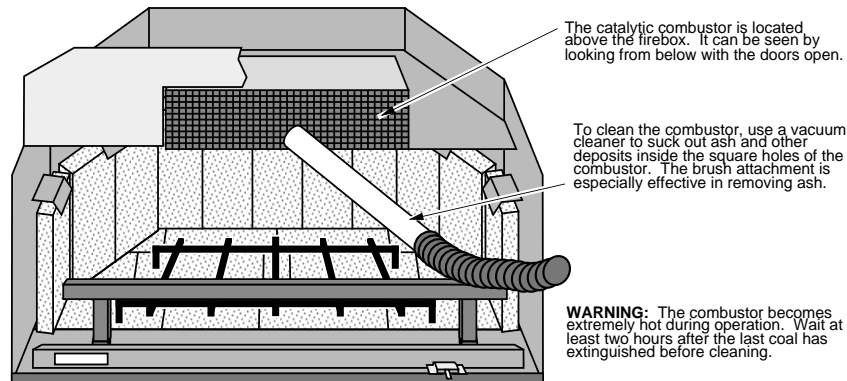
### Check Firebrick, Baffle

With the fireplace completely cool, remove ash from the firebox (see the instructions on the previous page) and check the firebrick and baffle.



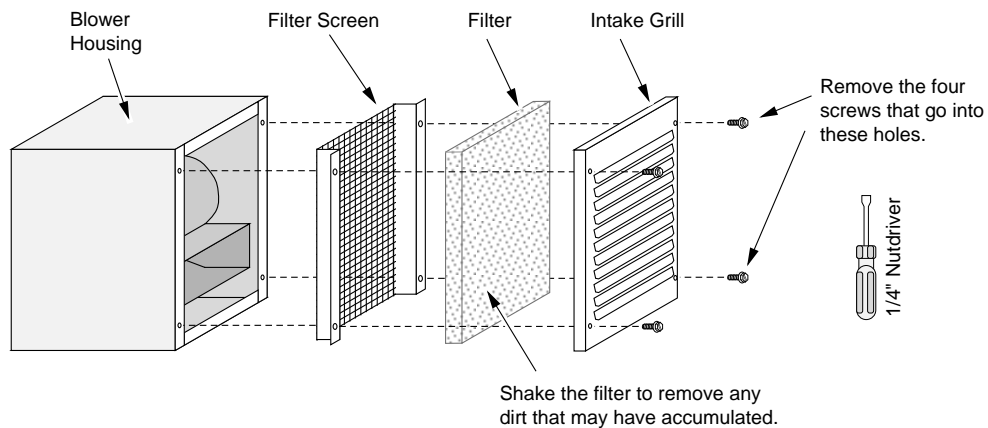
### Clean the Combustor

With the fireplace completely cool (at least two hours after the last coal has extinguished), use a vacuum cleaner to draw all ash from the catalytic combustor (see the illustration below).



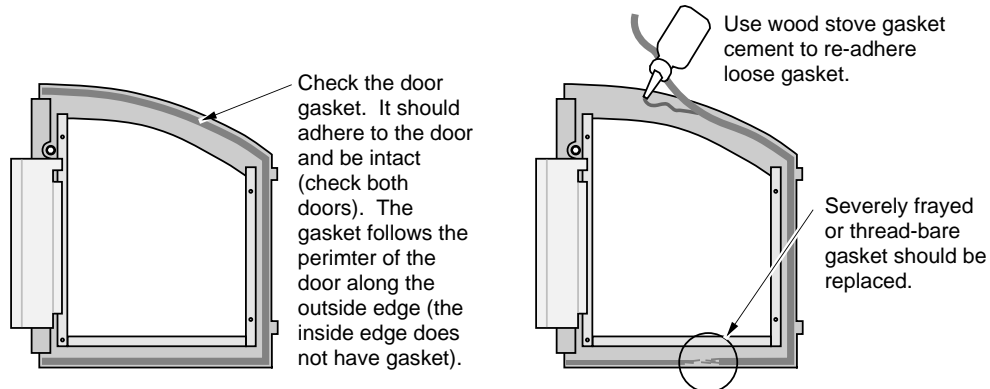
### Clean the Blower Filter

The remote blower has a removable cover to allow for cleaning of the filter. This filter can be removed and washed to clean dust and debris. See the directions to the right to remove the filter.



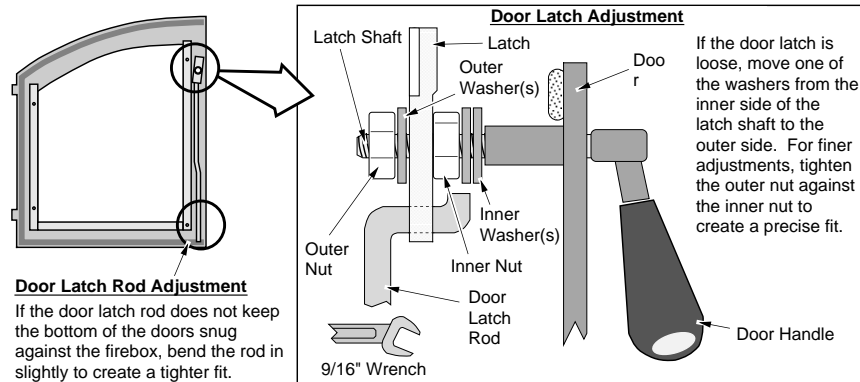
## Check Door Seal, Adjust if Necessary

The door latch and door gasket work in conjunction to seal the firebox. If the doors do not seal, air will leak into the firebox and cause the fire to burn too fast. This reduces the ability to burn the fireplace overnight or precisely adjust the burn rate. Follow the directions below to check the door gasket.



Follow the directions below to check the door latch.

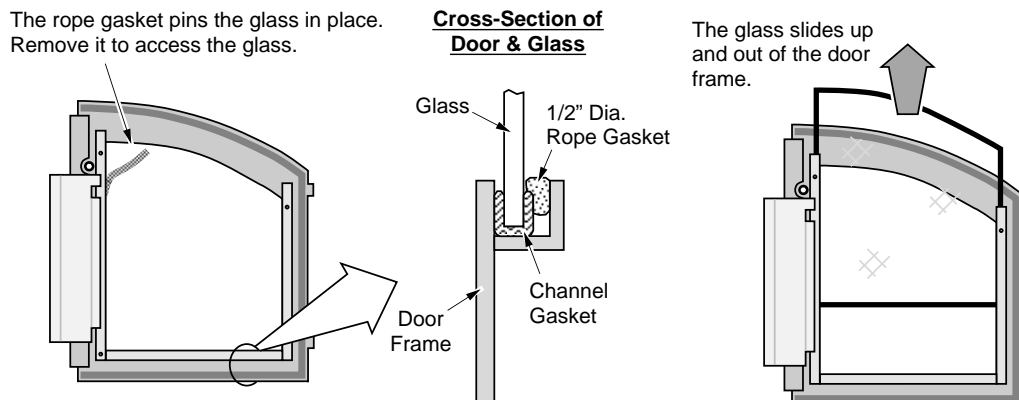
When closing the doors, the handle should pull the doors in and create a snug fit. If it doesn't check the following two items.



## Glass Inspection & Removal

If the glass is cracked or broken, it must be replaced. The glass & gasket should seal against the door. See the illustration below for glass removal. When re-installing the glass, gently press the rope gasket in place (use a putty knife).

**WARNING:** The top of the glass comes close to the face of the fireplace. The glass must be all the way down to prevent it from striking the fireplace when the door is closed.



## Check Chimney for Creosote Build-Up

Remove the chimney cap and carefully inspect for creosote build-up over the entire length of chimney. If creosote build-up is over 1/4", the chimney must be thoroughly cleaned. Failure to clean the chimney may lead to a fire.

**Hint:** Chimney cleaning is a very dirty, complicated, and dangerous task. We strongly recommend you have a professional chimney sweep conduct this service.

**Warning:** Chimney fires are created by excessive creosote build-up. To prevent this dangerous situation, have your chimney inspected twice per year minimum.

## Replacement Parts List

<b>Title</b>	<b>Part #</b>
Air Control Assembly (sliding control on plate, 4 nuts)	91001627
Brick, Box of 8 Bricks	99900102
Brick, (Cut) 4.5 x 6.75	251-00004
Brick, (Angle Cut) 4.5 x 6.375 x 3.75	251-00037
Brick, (Cut) 4.5 x 2	251-00038
Brick, (Angle Cut) 4.5 x 4.875 x 2.25	251-00039
By-pass base plate (bolt-in) w/ nuts	91001632
By-pass rod assembly (yoke & extension) with ring	91001636
By-pass sliding plate	91001631
Catalytic combustor	98500761
Catalytic Temperature Meter, FPX Woodburning Fireplaces	98500763
Cut brick set	99900104
Door Gasket (1/8 x 5/8" wide fiberglass tape w/ cement)	98500717
Door Handle, Black Phenolic, FPX , (One Handle)	91001605
Door Hinge Replacement Kit, FPX 44 & 36 Fireplaces	98500714
Door Latch Assembly, Right Side of Double Door, FPX 44	98500713
Fan Switch, FPX, Auto Door Shut-off	98500759
Fan, Convection, FPX, Without Mounting Box	98500780
Fan, FPX Convection, Complete Assembly with Mounting Box & Grill	98500785
Filter Replacement for FPX Fan	98500788
FPX 7" flex duct 44Elite (expands to 12 ft.)	98500773
FPX 7" vent hood 44 ELite w/ weather ring	98500774
FPX rear baffle 44 Elite	98500719
Front Cover, Air Channel (rectangular cover, gasket, 4 screws)	91001628
Gasket only for snap disc plate	91001635
Gasket, Door, FPX Fireplace	98500717
Gasket, Glass, FPX 44A, Double Door	98500741
Glass gasket set (7/8" 302B glass tape, 130" long for 2 doors) and packing gasket (1/2" fiberglass rope, 100" long for 2 doors)	91001630
Glass, Double Door, Clear, (One Side), FPX 44A	98500740
Grate, Firewood, FPX Wood Burning Fireplaces	98500738
Heat Shield for left door ( 13-7/8" long)	91001629
Knob, Fan Control, Solid Brass	98500782
Log Retainer, 44 Elite Only	93007002
Rheostat Fan Control with Black Plate	98500786
Rheostat Fan Control, with Gold Plate	98500784
Rheostat, Fan, FPX & Pellet, No Off Position	98500787
Snap disc, on Plate w/ gasket	91001634
Summer Switch Option, Black, For FPX Convection Fan	98500601
Summer Switch Option, Gold, For FPX Convection Fan	98500600
Template, Installation, Arched for FPX 44	98500691

Listed By  Beaverton  
Oregon USA  
OMNI-Test Laboratories, Inc.

## Fireplace Xtordinaire

LISTED FACTORY BUILT FIREPLACE MODEL NO. 44 ELITE  
TESTED TO: UL-127 REPORT NO. Q28F-61-4

SERIAL NO. 

WARNING: • Operate with feed doors closed. Open to feed fire only. • For use with solid fuel only.

### U.S. ENVIRONMENTAL PROTECTION AGENCY

Certified to comply with July, 1990 particulate emission standards.

This wood heater contains a catalytic combustor which needs periodic inspection and replacement for proper operation. Consult the owner's manual for further information. It is against the law to operate this wood heater in a manner inconsistent with operating instructions in the owner's manual or if the catalytic element is deactivated or removed.

Do not use a fireplace insert or other products not specified for use with this product. This fireplace has not been tested with an unvented gas log set. To reduce risk of fire or injury, do not install an unvented gas log set into fireplace.

**DO NOT REMOVE THIS LABEL**

MANUFACTURE DATE:

2006  Jan.  Apr.  Jul.  Oct.  
 2007  Feb.  May  Aug.  Nov.  
 2008  Mar.  Jun.  Sep.  Dec.

Manufactured by:  
TRAVIS INDUSTRIES, INC.  
4800 Harbour Pointe Blvd. SW  
Mukilteo, WA 98275



**TRAVIS INDUSTRIES**  
**HOUSE OF FIRE**

0316 (IGN)

# Limited 7 Year Warranty

# 19

To register your TRAVIS INDUSTRIES, INC. 7 Year Warranty, complete the enclosed warranty card and mail it within **ten (10)** days of the appliance purchase date to: TRAVIS INDUSTRIES, INC., 10850 117th Place N.E., Kirkland, Washington 98033. TRAVIS INDUSTRIES, INC. warrants this appliance (appliance is defined as the equipment manufactured by Travis Industries, Inc.) to be defect-free in material and workmanship to the original purchaser from the date of purchase as follows:

## Years 1 & 2 - COVERAGE: PARTS & LABOR

### Air Control Assembly

Slider Plate, Linkage

### Blower Assembly

Blower, Wire Harness, Snap Disk

### Ceramic Glass

Glass (breakage from thermal shock)

### Catalytic Combustor

Catalytic Combustor (see "Conditions and Exclusions" # 10)

### Damper Assembly

Damper Plate, Linkage

### Door Assembly

Door, Latch Assembly, Glass Retainers

### Face Assembly

Faceplate, Fasteners

### Firebox Assembly

Firebox, Combustor Support, Baffle, Air Channels

### Firebrick

Breakage from thermal shock

### Gold Plating

Face & Door (see "Conditions and Exclusions" # 9)

### Log Grate

Removable Log Grate

### Accessories

Andiron, Summer Fan Switch

### Re-Installation Allowance

In cases where heater must be removed from home for repairs, a partial cost of re-installation is covered (pre-authorization required)

### One-Way Freight Allowance

One-way freight allowance on pre-authorized repair done at factory is covered.

**Exclusions:** Paint, Gasketing

## Years 3 Through 5 - COVERAGE: PARTS & LABOR

### Air Control Assembly

Slider Plate, Linkage

### Catalytic Combustor

Coverage for thermal crumbling and disintegration only.

### Damper Assembly

Damper Plate, Linkage

### Door Assembly

Door, Latch Assembly, Glass Retainers

### Face Assembly

Faceplate, Fasteners

### Firebox Assembly

Firebox, Combustor Support, Baffle, Air Channels

### One-Way Freight Allowance

One-way freight allowance on pre-authorized repair done at factory is covered.

**Exclusions:** Paint, Gasketing, Blower Assembly, Glass, Firebrick, Gold Plating, Log Grate, Accessories, Re-Installation Allowance

## Years 6 & 7 - COVERAGE: PARTS ONLY

### Air Control Assembly

Slider Plate, Linkage

### Damper Assembly

Damper Plate, Linkage

### Door Assembly

Door, Latch Assembly, Glass Retainers

### Face Assembly

Faceplate, Fasteners

### Firebox Assembly

Firebox, Combustor Support, Baffle, Air Channels

**Exclusions:** Paint, Gasketing, Blower Assembly, Glass, Firebrick, Gold Plating, Log Grate, Accessories, Catalytic Combustor, Re-Installation Allowance, One-Way Freight Allowance, Labor

## CONDITIONS & EXCLUSIONS

1. This new appliance must be installed by a qualified installer. It must be installed, operated, and maintained at all times in accordance with the instructions in the Owner's Manual. Any alteration, willful abuse, accident, neglect, or misuse of the product shall nullify this warranty.
2. This warranty is nontransferable, and is made to the ORIGINAL purchaser, provided that the purchase was made through an authorized Travis dealer.
3. Discoloration and some minor expansion, contraction, or movement of certain parts and resulting noise, is normal and not a defect and, therefore, not covered under warranty. Over-firing (operation where the steel may glow red) of this appliance can cause serious damage and will nullify this warranty.
4. The warranty, as outlined within this document, does not apply to the chimney components or other Non-Travis accessories used in conjunction with the installation of this product. If in doubt as to the extent of this warranty, contact your authorized Travis retailer before installation.
5. Travis Industries will not be responsible for inadequate performance caused by environmental conditions such as nearby trees, buildings, roof tops, wind, hills or mountains or negative pressure or other influences from mechanical systems such as furnaces, fans, clothes dryers, etc.
6. This Warranty is void if:
  - a. The unit has been operated in atmospheres contaminated by chlorine, fluorine or other damaging chemicals.
  - b. The unit is subject to submersion in water or prolonged periods of dampness or condensation.
  - c. Any damage to the unit, combustion chamber, heat exchanger or other components due to water, or weather damage which is the result of, but not limited to, improper chimney/venting installation.
7. Exclusions to this 7 Year Warranty include: injury, loss of use, damage, failure to function due to accident, negligence, misuse, improper installation, alteration or adjustment of the manufacturer's settings of components, lack of proper and regular maintenance, damage incurred while the appliance is in transit, alteration, or act of God.
8. This 7 Year warranty excludes damage caused by normal wear and tear, such as paint discoloration or chipping, worn or torn gasketing, chipped or cracked firebrick, etc. Also excluded is damage to the unit caused by abuse, improper installation, modification of the unit, or the use of fuel other than that for which the unit is configured (use cord wood only).
9. Damage to gold surfaces caused by fingerprints, scratches, melted items, or other external sources left on the gold from the use of cleaners other than denatured alcohol is not covered in this warranty. Damage to the gold surfaces from over-firing (operation where the steel may glow red) is not covered in this warranty.
10. Damage to the catalytic combustor due to mishandling, removal, cleaning, or other handling is not covered. Degradation of the combustor due to burning of anything other than natural cord wood is not covered. Burning of trash, garbage, artificial or paper logs, gift wrappings, coal, lighter fluids, chemical starters, treated or painted wood, driftwood or chemical cleaners will void the combustor warranty. These items contain chemicals that may cause the combustor to become deactivated.
11. TRAVIS INDUSTRIES, INC. is free of liability for any damages caused by the appliance, as well as inconvenience expenses and materials. Incidental or consequential damages are not covered by this warranty. In some states, the exclusion of incidental or consequential damage may not apply.
12. This warranty does not cover any loss or damage incurred by the use or removal of any component or apparatus to or from the Travis appliance without the express written permission of TRAVIS INDUSTRIES, INC. and bearing a TRAVIS INDUSTRIES, INC. label of approval.
13. Any statement or representation of Travis products and their performance contained in Travis advertising, packaging literature, or printed material is not part of this 7 year warranty.
14. This warranty is automatically voided if the appliance's serial number has been removed or altered in any way. If the appliance is used for commercial purposes, it is excluded from this warranty.
15. No dealer, distributor, or similar person has the authority to represent or warrant Travis products beyond the terms contained within this warranty. TRAVIS INDUSTRIES, INC. assumes no liability for such warranties or representations.
16. Travis Industries will not cover the cost of the removal or re-installation of hearths, facing, mantels, venting or other components.
17. If for any reason any section of this warranty is declared invalid, the balance of the warranty remains in effect and all other clauses shall remain in effect.
18. This 7 year warranty is the only warranty supplied by Travis Industries, Inc., the manufacturer of the appliance. All other warranties, whether express or implied, are hereby expressly disclaimed and purchaser's recourse is expressly limited to the warranties set forth herein.

## IF WARRANTY SERVICE IS NEEDED:

1. If you discover a problem that you believe is covered by this warranty, you MUST REPORT it to your Travis dealer WITHIN 30 DAYS, giving them proof of purchase, the purchase date, and the model name and serial number.
2. Travis Industries has the option of either repairing or replacing the defective component.
3. If your dealer is unable to repair your appliance's defect, he may process a warranty claim through TRAVIS INDUSTRIES, INC., including the name of the dealership where you purchased the appliance, a copy of your receipt showing the date of the appliance's purchase, and the serial number on your appliance. At that time, you may be asked to ship your appliance, freight charges prepaid, to TRAVIS INDUSTRIES, INC. TRAVIS INDUSTRIES, INC., at its option, will repair or replace, free of charge, your appliance if it is found to be defective in material or workmanship within the time frame stated within this 7 year warranty. TRAVIS INDUSTRIES, INC. will return your appliance, freight charges (years 1 to 5) prepaid by TRAVIS INDUSTRIES, INC., to your regional distributor, or dealership.
4. Check with your dealer in advance for any costs to you when arranging a warranty call. Dealers may require you to pay a service or trip charges for any warranty work. This charge can vary from store to store.

**Travis Industries**

**93508094**

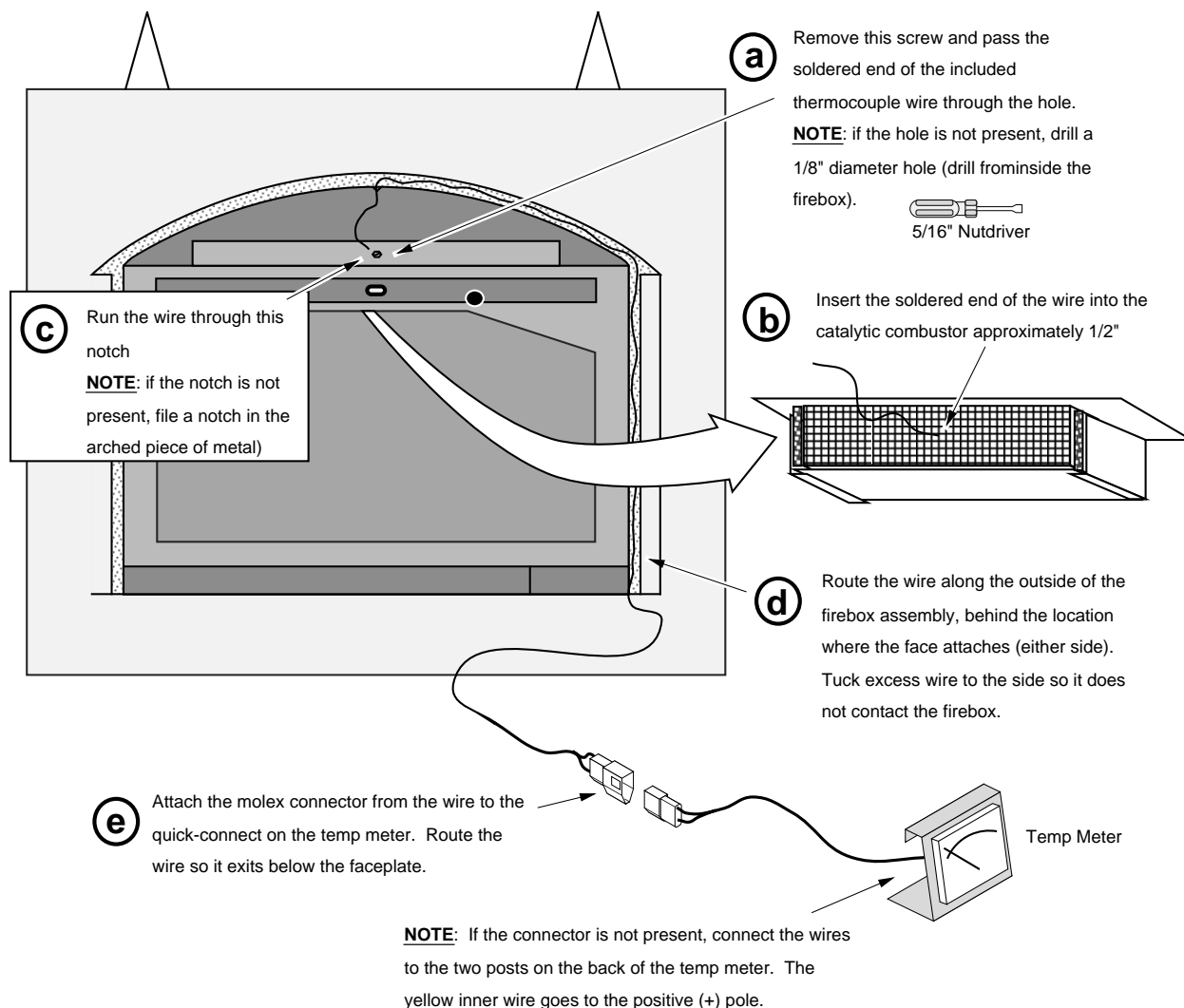
**4070309**

## Temperature Meter

The temperature meter displays the temperature of the combustor, allowing the operator to monitor combustor light-off. To obtain a suitable temperature meter, contact the manufacturer listed below:

Condar Company  
 P.O. Box 250  
 108 Mill Spring Road  
 Columbus, NC 28722-0250  
 (828) 894-8383  
 Model: 9-88

- 1 Before installing the faceplate, route the thermocouple wire to the catalytic combustor (see the illustration below). With the wire in place, the faceplate can be installed.





Acid Wash.....	6	Important Information .....	1
Adjusting the Burn Rate.....	10	Index .....	22
Air Control (see 'Burn Rate').....	10	Introduction.....	1
Amps.....	5	Kindling .....	8
Ash (Disposal) .....	14	Listing Label.....	18
Baffle.....	15	Location of Controls.....	8
Before Your First Fire .....	6	Log Length.....	5
Blower (Cleaning) .....	15	Maintaining Catalytic Burn-Off.....	9
Blower Operation.....	10	Normal Operating Sounds.....	11
BTU Output.....	5	Opening the Doors.....	7
Burn Rate.....	10	Opening the Doors while Fireplace is Hot	7
Burn Time .....	5	Optional Equipment.....	20
By-Pass Control.....	8	Optional Summer Fan Switch.....	10
Catalytic Combustor (Cleaning).....	15	Over-Firing the Fireplace.....	6
Catalytic Combustor (Operation) .....	9	Overnight Burn.....	11
Catalytic Combustor (Replacement Info).....	17	Packing List.....	5
Check Ash, Remove if Necessary .....	14	Parts List.....	17
Check Chimney for Creosote Build-Up.....	16	Problems .....	13
Check Door Seal, Adjust if Necessary.....	16	Re-Loading the Fireplace.....	11
Check Firebrick, Baffle .....	15	Replacement Parts List .....	17
Chimney (inspection).....	16	Safety Label.....	18
Clean any Gold Surfaces if Necessary.....	14	Safety Notice.....	6
Clean Combustor.....	15	Safety Precautions .....	2 & 3
Clean the Blower Filter .....	15	Selecting Wood.....	12
Combustor (Cleaning).....	15	Starting a Fire .....	8
Combustor (Operation) .....	9		
Combustor (Replacement Information).....	17	Table of Contents.....	4
Curing the Paint.....	6	Temperature Meter (Installation).....	20
Daily Maintenance (while fireplace is in use) ...	14	Temperature Meter (Operation) .....	9
Don't Burn Treated Wood, Wax Logs, Etc.....	12	Testing Wood Moisture.....	12
Door Gasket .....	16	Troubleshooting.....	13
Door Latch .....	16	Twice Yearly Maintenance .....	15
Dry Wood is Key .....	12	Verify the Installation.....	6
Electrical Specifications.....	5	Warnings.....	2 & 3
EPA Compliance .....	5	Warranty.....	19
Features .....	5	Watts .....	5
Firebrick.....	15	Why Dry Wood is Key.....	12
Fumes (after break-in period).....	13	Wiring .....	21
Fumes (first fire).....	6	Wood.....	12
Gold Surfaces (cleaning) .....	14	Wood Cutting and Storage.....	12
Heating Specifications .....	5		
Hints for Burning.....	11		



## Free Manuals Download Website

<http://myh66.com>

<http://usermanuals.us>

<http://www.somanuals.com>

<http://www.4manuals.cc>

<http://www.manual-lib.com>

<http://www.404manual.com>

<http://www.luxmanual.com>

<http://aubethermostatmanual.com>

Golf course search by state

<http://golfingnear.com>

Email search by domain

<http://emailbydomain.com>

Auto manuals search

<http://auto.somanuals.com>

TV manuals search

<http://tv.somanuals.com>