



ADMIRAL 36"

Range Hood Hotte

**Installation Instructions
Use and Care Guide**

**Instructions d'installation
Mode d'emploi et d'entretien**

FAD 367 W

INDEX

WARNINGS AND REQUIREMENTS	3
RECOMMENDATIONS AND SUGGESTIONS	6
DIMENSIONS and MAIN PARTS.....	7
INSTALLATION	8
USE.....	11
CARE.....	12

READ AND SAVE THESE INSTRUCTIONS

The Installer must leave these instructions with the homeowner.

The homeowner must keep these instructions for future reference and for local electrical inspectors' use.

READ THESE INSTRUCTIONS BEFORE YOU START INSTALLING THIS RANGEHOOD

WARNING: - TO REDUCE THE RISK OF A RANGE TOP GREASE FIRE: Never leave surface units unattended at high settings. Boilovers cause smoking and greasy spillovers that may ignite. Heat oils slowly on low or medium setting. Always turn hood ON when cooking at high heat or when flambéing food (i.e. Crepes Suzette, Cherries Jubilee, Peppercorn Beef Flambé. Clean ventilating fans frequently. Grease should not be allowed to accumulate on fan or filter. Use proper pan size. Always use cookware appropriate for the size of the surface element.

WARNING: - TO REDUCE THE RISK OF INJURY TO PERSONS IN THE EVENT OF A RANGE TOP GREASE FIRE, OBSERVE THE FOLLOWING: SMOTHER FLAMES with a close-fitting lid, cookie sheet, or metal tray, then turn off the burner. **BE CAREFUL TO PREVENT BURNS.** If the flames do not go out immediately **EVACUATE AND CALL THE FIRE DEPARTMENT. NEVER PICK UP A FLAMING PAN** - You may be burned. **DO NOT USE WATER**, including wet dishcloths or towels - a violent steam explosion will result. Use an extinguisher **ONLY** if: 1. You know you have a Class ABC extinguisher, and you already know how to operate it. 2. The fire is small and contained in the area where it started. 3. The fire department is being called. 4. You can fight the fire with your back to an exit.

ALL WALL AND FLOOR OPENINGS WHERE THE RANGEHOOD IS INSTALLED MUST BE SEALED.

This rangehood requires at least 24" of clearance between the bottom of the rangehood and the cooking surface or countertop. This minimum clearance may be higher depending on local building code. Consult the cooktop or range installation instructions given by the manufacturer before making any cutouts. **MOBILE HOME INSTALLATION.** The installation of this rangehood must conform to the Manufactured Home Construction and Safety Standards, Title 24 CFR, Part 3280 (formerly Federal Standard for Mobile Home Construction and Safety, Title 24, HUD, Part 280). Four wire power supply must be used and the appliance wiring must be revised. See Electrical Requirements.

VENTING REQUIREMENTS

CAUTION - To reduce risk of fire and to properly exhaust air, be sure to duct air outside – Do not vent exhaust air into spaces within walls or ceilings or into attics, crawl spaces, or garages".

Determine which venting method is best for your application. Ductwork can extend either through the wall or the roof. The length of the ductwork and the number of elbows should be kept to a minimum to provide efficient performance. The size of the ductwork should be uniform. Do not install two elbows together. Use duct tape to seal all joints in the ductwork system. Use caulking to seal exterior wall or floor opening around the cap.

Flexible ductwork is not recommended. Flexible ductwork creates back pressure and air turbulence that greatly reduces performance.

Make sure there is proper clearance within the wall or floor for exhaust duct before making cutouts. Do not cut a joist or stud unless absolutely necessary. If a joist or stud must be cut, then a supporting frame must be constructed.

WARNING - To Reduce The Risk Of Fire, Use Only Metal Ductwork.

WARNING

- Venting system **MUST** terminate outside the home.
- **DO NOT** terminate the ductwork in an attic or other enclosed space.
- **DO NOT** use 4" laundry-type wall caps.
- Flexible-type ductwork is **NOT** recommended.
- **DO NOT** obstruct the flow of combustion and ventilation air.
- Failure to follow venting requirements may result in a fire.

ELECTRICAL REQUIREMENTS

A 120 volt, 60 Hz AC-only electrical supply is required on a separate 15 amp fused circuit. A timedelay fuse or circuit breaker is recommended. The fuse must be sized per local codes in accordance with the electrical rating of this unit as specified on the serial/rating plate located inside the unit near the field wiring compartment. **THIS UNIT MUST BE CONNECTED WITH COPPER WIRE ONLY.** Wire sizes must conform to the requirements of the National Electrical Code, ANSI/NFPA 70 - latest edition, and all local codes and ordinances. Wire size and connections must conform with the rating of the appliance. Copies of the standard listed above may be obtained from:

National Fire Protection Association
Batterymarch Park
Quincy, Massachusetts 02269

This appliance should be connected directly to the fused disconnect (or circuit breaker) through flexible, armored or nonmetallic sheathed copper cable. Allow some slack in the cable so the appliance can be moved if servicing is ever necessary. A UL Listed, 1/2" conduit connector must be provided at each end of the power supply cable (at the appliance and at the junction box).

When making the electrical connection, cut a 1 1/4" hole in the wall. A hole cut through wood must be sanded until smooth. A hole through metal must have a grommet.

WARNING - TO REDUCE THE RISK OF FIRE OR ELECTRIC SHOCK, do not use this fan with any solid-state speed control device.

WARNING - TO REDUCE THE RISK OF FIRE, ELECTRICAL SHOCK, OR INJURY TO PERSONS, OBSERVE THE FOLLOWING: Use this unit only in the manner intended by the manufacturer. If you have any questions, contact the manufacturer.

Before servicing or cleaning unit, switch power off at service panel and lock the service disconnecting means to prevent power from being switched on accidentally. When the service disconnecting means cannot be locked, securely fasten a prominent warning device, such as a tag, to the service panel.

CAUTION: For General Ventilating Use Only. Do Not Use To Exhaust Hazardous or Explosive Materials and Vapors.

WARNING - TO REDUCE THE RISK OF FIRE, ELECTRICAL SHOCK, OR INJURY TO PERSONS, OBSERVE THE FOLLOWING: Installation Work And Electrical Wiring Must Be Done By Qualified Person(s) In Accordance With All Applicable Codes And Standards, Including Fire-Rated Construction.

Sufficient air is needed for proper combustion and exhausting of gases through the flue (chimney) of fuel burning equipment to prevent backdrafting. Follow the heating equipment manufacturer's guideline and safety standards such as those published by the National Fire Protection Association (NFPA), and the American Society for Heating, Refrigeration and Air Conditioning Engineers (ASHRAE), and the local code authorities.

When cutting or drilling into wall or ceiling, do not damage electrical wiring and other hidden utilities.

Ducted fans must always be vented to the outdoors.

W A R N I N G

- Electrical ground is required on this rangehood.
- If cold water pipe is interrupted by plastic, nonmetallic gaskets or other materials, **DO NOT** use for grounding.
- **DO NOT** ground to a gas pipe.
- **DO NOT** have a fuse in the neutral or grounding circuit. A fuse in the neutral or grounding circuit could result in electrical shock
- Check with a qualified electrician if you are in doubt as to whether the rangehood is properly grounded.
- Failure to follow electrical requirements may result in a fire.

RECOMMENDATIONS AND SUGGESTIONS

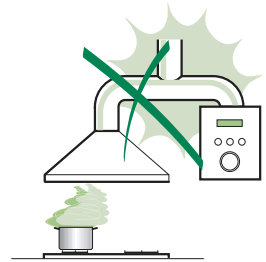
⚠ The Instructions for Use apply to several versions of this appliance. Accordingly, you may find descriptions of individual features that do not apply to your specific appliance.

INSTALLATION

- The manufacturer will not be held liable for any damages resulting from incorrect or improper installation.
- Check that the main voltage corresponds to that indicated on the rating plate fixed to the inside of the hood.
- The electrical supply must be properly and sufficiently grounded.
Connect the extractor to the exhaust flue through a pipe of minimum diameter 6". The route of the flue must be as short as possible.
- Do not connect the extractor hood to exhaust ducts carrying combustion fumes (boilers, fireplaces, etc.).
- If the extractor is used in conjunction with non-electrical appliances (e.g. gas burning appliances), a sufficient degree of aeration must be guaranteed in the room in order to prevent the backflow of exhaust gas. The kitchen must have an opening communicating directly with the open air in order to guarantee the entry of clean air.

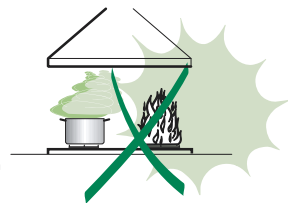
USE

- The range hood has been designed exclusively for domestic use to eliminate kitchen odors.
- Never use the hood for purposes other than for which it has been designed.
- Never leave high naked flames under the hood when it is in operation.
- Adjust the flame intensity to direct it onto the bottom of the pan only, making sure that it does not engulf the sides.
- Deep fat fryers must be continuously monitored during use: overheated oil can burst into flames.
- The hood should not be used by children or persons not instructed in its correct use.



CARE

- Switch off or unplug the appliance from the main supply before carrying out any maintenance work.
- Clean and/or replace the Filters after the specified time period.
- Clean the hood using a damp cloth and a neutral liquid detergent.

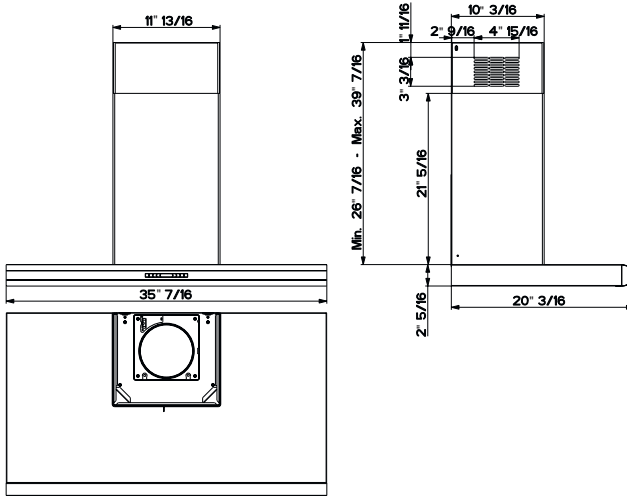


THERMAL PROTECTOR

The range hood is equipped with a thermal protector to avoid overheating conditions. If the range hood shuts off in use, press the on/off button to return off range hood. Wait approximately **90 minutes**, then press the on/off button to restart the range hood.

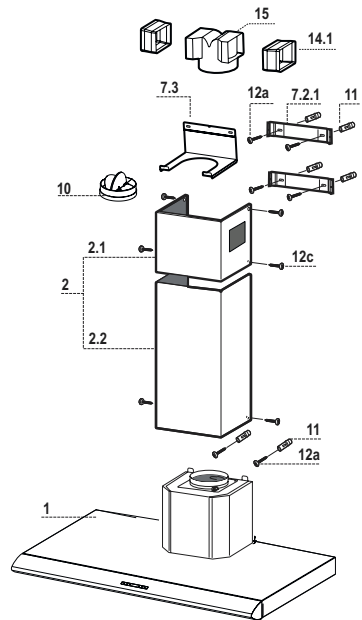
DIMENSIONS and MAIN PARTS

Dimensions



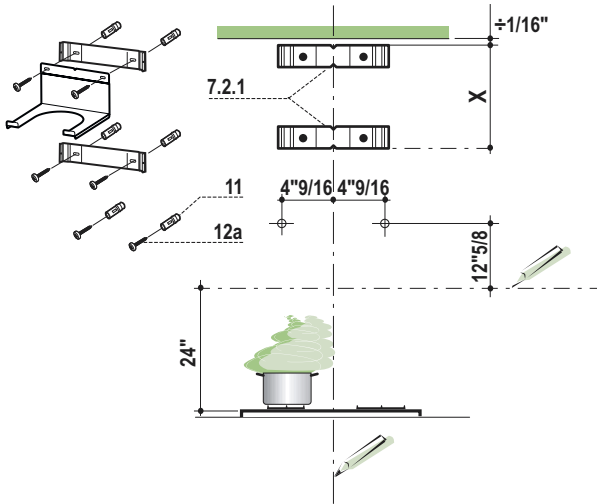
Components

Ref.	Q.ty	Product Components
1	1	Hood Body, complete with: Controls, Light, Blower, Filters
2	1	Telescopic Chimney comprising:
2.1	1	Upper Section
2.2	1	Lower Section
10	1	Damper
14.1	2	Air Outlet Connection Extension
15	1	Air Outlet Connection
Ref.	Q.ty	Installation Components
7.2.1	2	Upper Chimney Section Fixing Brackets
7.3	1	Air Outlet Connection Support
11	6	Wall Plugs (if supplied)
12a	6	Screws $3/16" \times 1\frac{3}{4}$
12c	6	Screws $1/8" \times 3/8"$
Q.ty	Documentation	
1	Instruction Manual	



INSTALLATION

Wall drilling and bracket fixing

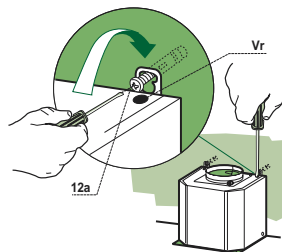


Wall marking:

- Draw a vertical line on the supporting wall up to the ceiling, or as high as practical, at the center of the area in which the hood will be installed.
- Draw a horizontal line at 24" above the hob.
- Place bracket **7.2.1** on the wall as shown about 1/16" from the ceiling or upper limit aligning the center (notch) with the vertical reference line.
- Mark the wall at the centers of the holes in the bracket.
- Place bracket **7.2.1** on the wall as shown at X" below the first bracket (X = height of the upper chimney section supplied), aligning the center (notch) with the vertical line.
- Mark the wall at the centers of the holes in the bracket.
- Mark a reference point as indicated at 4" 9/16 from the vertical reference line and 12" 5/8 above the horizontal reference line.
- Repeat this operation on the other side.
- Drill ϕ 5/16" holes at all the center points marked.
- Insert the wall plugs **11** in the holes.
- Fix the lower bracket **7.2.1** using the **12a** screws supplied.
- Fix the upper bracket **7.2.1** and the air outlet connection support **7.3** together using the 2 screws **12a** supplied.
- Insert the two screws **12a** supplied in the hood body fixing holes, leaving a gap of 3/16" between the wall and the head of the screw.

Mounting the hood body

- Before attaching the hood body, tighten the two screws **Vr** located on the hood body mounting points.
- Hook the hood body onto the screws **12a**.
- Fully tighten support screws **12a**.
- Adjust screws **Vr** to level the hood body.



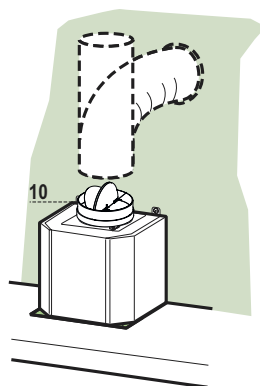
Note: The Hood body should be secured to wall studs. If necessary, install a wood support behind the dry wall, flush mounted between 2 studs. This will provide the necessary structure and support for mounting.

Connections

DUCTED VERSION AIR EXHAUST SYSTEM

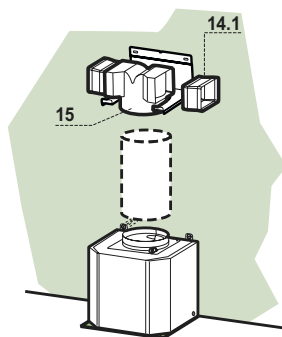
When installing the ducted version, connect the hood to the chimney using a rigid 6" duct.

- Install the damper **10** \varnothing 6".
- Fix the duct in position using sufficient pipe clamps (not supplied).



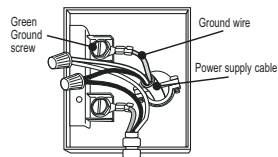
DUCTLESS VERSION AIR OUTLET

- Put connection **15** into the connection support **7.3**.
- Insert the connection extension pieces laterally **14.1** in connection **15**.
- Make sure that the outlet of the extension pieces **14.1** is horizontally and vertically aligned with the chimney outlets.
- Connect the air outlet connection **15** to the hood body outlet using a rigid \varnothing 6" duct. (not supplied)
- Ensure that the activated charcoal filters have been inserted.



ELECTRICAL CONNECTION

- Remove the cover from the Field Wiring Compartment with a phillips screwdriver.
- Feed the Power Supply Cable through the electrical knockout. Connect the Power Supply Cable to the range- hood cable. Attach the Power Supply Cable grounding lead to the green screw provided. Attach the White lead of the power supply to the White lead of the rangehood with a twist-on type wire connector. Attach the Black lead of the power supply to the Black lead of the rangehood with a twist-on type wire connector.
- Replace the cover.



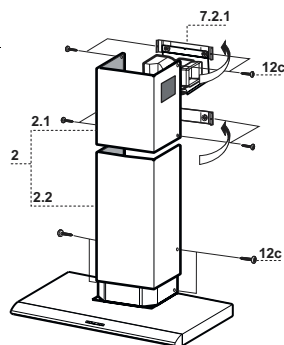
Chimney assembly

Upper exhaust Chimney

- Slightly widen the two sides of the upper flue and hook them behind the brackets **7.2.1**, making sure that they are well seated.
- Secure the sides to the brackets using the 4 screws **12c** supplied.
- Make sure that the outlet of the extensions pieces is aligned with the chimney outlets.

Lower exhaust Chimney

- Slightly widen the two sides of the flue and hook them between the upper flue and the wall, making sure that they are well seated.
- Fix the lower part laterally to the hood body using the 2 screws **12c** supplied.





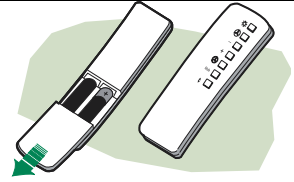
Control board

Key	Function	Display
A	Switches the blower motor on and off at the latest selected speed	Indicates the selected speed.
B	Decreases the vent speed.	
C	Increases the vent speed.	
D	By pressing this key it is possible to activate the intensive speed from any previously selected speed. The intensive speed can be activated even when the motor is OFF. This speed has been timed at 10 minutes. After that time the system activates automatically the latest selected speed. This function is recommended for cooking condition where vapors and odors need to be eliminated immediately and quickly.	HI appears. The spot down on the right side flashes once a second.
E	By pressing this key it is possible to set up the motor to a suction speed at 60 CFM lasting 10 minutes every hour. After this the motor switches off automatically. When the filter saturation is going on it is possible to reset the alarm by pressing this key for about 3 seconds. The indication is visible only when the motor is off.	Indicates the 24-function . The spot down on the right side flashes and the motor is on. Once the process is finished the previous indication disappears: FF Indicates that the metal grease filters saturation alarm has been triggered, and the filters need to be washed. The alarm is triggered after 100 working hours. EF Indicates that the charcoal filter saturation alarm has been triggered, and the filter has to be replaced; the metal grease filters must also be washed. The charcoal filter is triggered after 200 working hours.
F	By pressing this key it is possible to set the delayed shutdown of the appliance to 30 minutes. This function is suitable for a complete elimination of the residual odors. It can be activated at any position, and it is deactivated by pressing the key again or by switching off the motor.	Indicates both the selected speed of the hood and the time left before the hood shutdown. The spot down on the right side flashes alternately displaying the speed and shutdown time.
G	Turns light on and off .	
H	Turns light on and off at reduced intensity.	

CARE

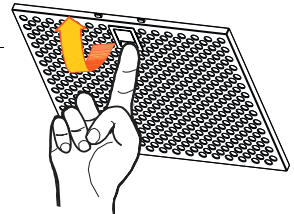
REMOTE CONTROL (OPTIONAL)

This range hood can be controlled by a multi-function remote control available through your local Franke Dealer.



Metal grease filters

Filters can be washed in the dishwasher. They need to be washed when **FF**-sign appears on the display or in any case every 2 months, or even more frequently in case of particularly intensive use of the hood.



Alarm reset

- Switch off the hood and the lights. If the 24h-function has been activated this has to be deactivated.
- Press the **E**-key till the display is unlit.

Cleaning the filters

- Remove the filters one at a time holding them up with one hand and pulling the handle downwards with the other hand at the same time.
- Wash the filters, taking care not to bend them. Allow them to dry before refitting.
- When refitting the filters, make sure that the handle is visible on the outside.

Charcoal filter (ductless version)

- This filter cannot be washed or regenerated. It must be replaced when the **EF** appears on the display or at least once every 4 months.

Activation of the alarm signal

- In the recycling version hoods the filter saturation alarm must be activated during the installation or later.
- Switch off the hood and the lights.
- Disconnect the hood from the main voltage supply.
- After restoring the connection press and hold **B**-key.
- When releasing the key two rotating rectangles appear on the display.
- **Within 3 seconds** press the **B**-key until a flashing confirmation appears on the display:
 - 2 flashes with **EF** - charcoal filter saturation alarm **ACTIVATED**
 - 1 flash with **EF** - charcoal filter saturation alarm **DEACTIVATED**.

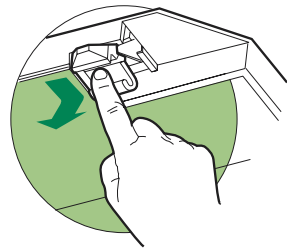
REPLACING THE CHARCOAL FILTER

Reset of the alarm signal

- Switch off the hood and the lighting. If the 24h-function has been activated this has to be deactivated.
- Press the E-key until the display is unlit.

Replacing of the filter

- Remove the metal grease filters.
- Remove the saturated charcoal filter by releasing the fixing hooks
- Fit the new filter and fasten it in its correct position.
- Put the metal grease filters in their seats.



Lighting

LIGHT REPLACEMENT

20 W halogen light.

- Remove the 2 screws fixing the Lighting support, and pull it out of from the Hood.
- Extract the lamp from the Support.
- Replace with another of the same type, making sure that the two pins are properly inserted in the lamp holder socket holes.
- Replace the Support, fixing it in place with the two screws removed as above.

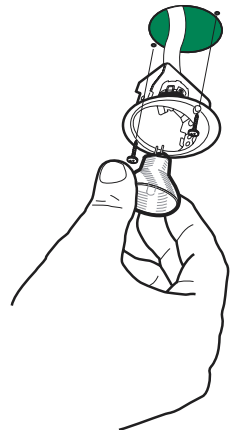


TABLE DES MATIÈRES

AVERTISSEMENT ET CONDITIONS N ÉCESSAIRES	15
CONSEILS ET SUGGESTIONS	18
DIMENSIONS et PRINCIPALES PIÈCES.....	19
INSTALLATION	20
UTILISATION.....	23
SOIN ET ENTRETIEN.....	24

LIRE ET CONSERVER CES INSTRUCTIONS

L'installateur doit laisser ces instructions au propriétaire.

Le propriétaire doit conserver ces instructions en vue d'une utilisation subséquente et pour le bénéfice de l'inspecteur en électricité.

LISEZ BIEN CETTE FICHE AVANT D'UTILISER LA HOTTE

AVERTISSEMENT – POUR MINIMISER LE RISQUE D'UN FEU DE GRAISSE SUR LA CUISINIÈRE : Ne jamais laisser un élément de la surface fonctionner sans surveillance à la puissance de chauffage maximale; un renversement/débordement de matière grasseuse pourrait provoquer un incendie ou causer de la fumée. Utiliser toujours une puissance de chauffage moyenne ou basse pour faire chauffer de l'huile. Veiller à toujours faire fonctionner le ventilateur de la hotte lors d'une cuisson avec une puissance de chauffage élevée ou lors de la cuisson d'un mets à flamber (i.e. Crêpes Suzette, Cerries Jubilee, Peppercorn Beef Flambé). Nettoyer fréquemment les ventilateurs d'extraction. Veiller à ne pas laisser de la graisse s'accumuler sur les surfaces du ventilateur ou des filtres. Utiliser toujours un ustensile de taille appropriée.

AVERTISSEMENT – POUR RÉDUIRE LE RISQUE DE DOMMAGES CORPORELS APRÈS LE DÉCLENCHEMENT D'UN FEU DE GRAISSE SUR LA CUISINIÈRE, APPLIQUER LES RECOMMANDATIONS SUIVANTES : Blessures en cas de feu suivre les recommandations suivantes : ÉTOUFFEZ LE FEU AVEC UN COUVERCLE MÉTALLIQUE ET FERMEZ LE BRÛLEUR. FAITES ATTENTION DE NE PAS VOUS BRÛLER. SI LE FEU NE S'ÉTEINT PAS IMMÉDIATEMENT, quittez les lieux et appelez les pompiers. ne touchez jamais une casserole en flammes – VOUS POURRIEZ SUBIR DES BLESSURES. N'UTILISEZ JAMAIS DE L'EAU OU UN TORCHON MOUILLÉ POUR ÉTEINDRE LE FEU – CE QUI POURRAIT CAUSER UNE EXPLOSION DE VAPEUR. vapeur brûlante. Utiliser un extincteur SEULEMENT si : 1. Il s'agit d'un extincteur de classe ABC, dont on connaît le fonctionnement. 2. Il s'agit d'un petit feu encore limité à l'endroit où il s'est déclaré. 3. Les pompiers ont été contactés. 4. Il est possible de garder le dos orienté vers une sortie pendant l'opération de lutte contre le feu.

N'utilisez un extincteur que si : 1. Vous avez sous la main un modèle ABC et vous comment l'utiliser correctement. 2. Le feu est faible et peu répandu. 3. Les pompiers sont déjà prévenus. 4. Vous conservez une sortie derrière vous.

TOUTE OUVERTURE DANS LE MUR OU LE PLANCHER À PROXIMITÉ DE LA HOTTE DOIT ÊTRE SCÉLLÉ

Gardez 24 po. de hauteur entre le bas de la hotte et la surface de cuisson. Consultez la fiche technique avant de découper les armoires. **INSTALLATION DANS UNE MAISON MOBILE.** L'installation de cette hotte doit être conforme aux règlements de Manufactured Home Construction and Safety Standards, Titre 24 CFR, Section 3280 (anciennement Federal Standard for Mobile Home Construction and Safety, Titre 24, HUD, Section 280). Le branchement électrique s'effectue avec un raccordement à 4 fils. Consultez la Fiche Technique électrique.

EXIGENCES DE VENTILATION (ÉVACUATION)

ATTENTION – Afin de réduire le risque d'incendie et pour bien évacuer l'air, assurez-vous de faire échapper l'air des conduits à l'extérieur – Ne jamais évacuer l'air vers des espaces comportant des murs ou des plafonds ou dans le grenier, la galerie ou le garage.

Déterminer la méthode d'évacuation de l'air la plus appropriée pour l'application. La sortie d'évacuation : soit par le mur, soit par le toit. Utilisez une longueur de tuyauterie minimale, incluant le moins de coudes possible pour une plus grande efficacité. Le calibre de la tuyauterie doit être uniforme. N'installez jamais 2 coudes ensembles. Scellez bien tous les joints avec un ruban adhésif métallique à l'intérieur et scellez bien le clapet extérieur en utilisant du calfeutrage.

L'utilisation d'un tuyau d'évacuation flexible n'est pas recommandée. Les tuyaux flexibles créent une contre-pression et de la turbulence, ce qui réduit la puissance d'évacuation.

Veillez à ce que l'espace pour le tuyau soit amplement suffisant, ainsi vous n'aurez pas à découper les supports de mur intérieur. On ne doit couper une solive ou un poteau de colombage que lorsque cela est absolument nécessaire. S'il est nécessaire de couper une solive ou un poteau de colombage, on doit construire une structure de support appropriée.

AVERTISSEMENT – Afin de réduire le risque d'incendie, utilisez seulement des conduits en métal.

AVERTISSEMENT

- Le système d'évacuation DOIT se terminer à l'extérieur.
- N'ÉVACUEZ PAS le conduit dans un grenier ou dans tout autre espace fermé.
- N'UTILISEZ PAS un clapet de sècheuse à 4 pouces.
- ON DÉCONSEILLE l'emploi de conduit d'évacuation flexible.
- N'ENCOMBREZ PAS la circulation d'air.
- Le fait de ne pas respecter ces avertissements pourrait occasionner un incendie.

FICHE TECHNIQUE ÉLECTRIQUE

Le raccordement électrique doit se faire avec un circuit séparé de 15 ampères fusibles à 120 V, 60 Hz, courant alternatif. Nous recommandons un coupe-circuit. La taille du fusible doit se conformer aux codes municipaux suivant la spécification électrique sur la plaque intérieure. **CET APPAREIL NE DOIT ÊTRE CONNECTÉ QU'EN UTILISANT DES FILS EN CUIVRE.** Le diamètre du fil devra aussi se conformer aux règlements du code national électrique, ANSI/NFPA 70, ainsi qu'aux règlements locaux et les spécifications de cet appareil. On peut obtenir ces informations auprès de :

National Fire Protection Association
Batterymarch Park
Quincy, Massachusetts 02269

Raccordez cet appareil directement au coupe-circuit(ou au disjoncteur) par l'intermédiaire de câble à conducteurs de cuivre, à blindage métallique flexible ou à gaine non-métallique. Un serre-câble **de 1/2 po.** (12,7 mm) (homologation UL ou CSA) doit être installé à chaque extrémité du câble d'alimentation (sur la hotte et sur le boîtier de distribution).

Faites un trou de 1 1/4 po. dans le mur. S'il s'agit d'un mur en bois, sablez bien le trou. Tandis qu'un trou dans le métal demande un oeillet (passe-fil).

AVERTISSEMENT – POUR RÉDUIRE LE RISQUE D'INCENDIE OU DE CHOC ÉLECTRIQUE, ne pas utiliser ce ventilateur en conjonction avec un dispositif de réglage de vitesse à semi-conducteurs.

AVERTISSEMENT – POUR MINIMISER LES RISQUES D'INCENDIE, CHOC ÉLECTRIQUES OU BLESSURES, OBSERVER CETTE RÈGLE : suivez strictement les recommandations du fabricant ; en cas de nécessité veuillez le contacter.

Avant d'entreprendre un travail d'entretien ou de nettoyage, interrompre l'alimentation de la hotte au niveau du tableau de disjoncteur, et verrouiller le tableau de disjoncteur pour empêcher tout rétablissement accidentel de l'alimentation du circuit. Lorsqu'il n'est pas possible de verrouiller le tableau de disjoncteur une étiquette d'avertissement proéminent interdisant le rétablissement de l'alimentation.

IMPORTANT : Pour une ventilation de type général seulement. Ne pas utiliser cet appareil pour l'évacuation de matières ou vapeurs explosives.

AVERTISSEMENT – POUR MINIMISER LES RISQUES D'INCENDIE, CHOC ÉLECTRIQUES OU BLESSURES, OBSERVER CETTE RÈGLE : l'installation et le raccordement électrique ne doivent être effectués que par un technicien(s) qualifié, selon tous les codes municipaux.

Afin d'obtenir un rendement maximal en ce qui a trait à la combustion ainsi qu'à l'évacuation des gaz par la conduite de cheminée et pour qu'il n'y ait pas de reflux des gaz de combustion, une bonne aération est nécessaire pour tous les appareils à combustion. Suivez les conseils et mesures de sécurité du fournisseur tels que ceux publiés par la National Fire Protection Association (NFPA) et l'American Society for Heating, Refrigeration and Air Condition Engineers (ASHRAE) ainsi que les codes municipaux.

Lors d'opération de découpage et de perçage dans un mur ou un plafond, veiller à ne pas endommager les câblages électriques ou canalisations qui peuvent s'y trouver.

Un conduit de ventilation doit toujours se terminer à l'extérieur.

AVERTISSEMENT

- Une prise à la terre est nécessaire pour cette hotte.
- **N'UTILISEZ PAS** un tuyau à l'eau froide pour la mise à la terre s'il est connecté à du plastique, un joint non métallique ou autre matériel.
- **N'EFFECTUEZ PAS** la mise à la terre sur la conduite de gaz.
- **NE PAS INSTALLER** un fusible dans le conducteur neutre ou le conducteur de liaison à la terre.
- Vérifiez avec un électricien qualifié que la hotte est bien mise à la terre.
- Le fait de ne pas respecter ces avertissements pourrait occasionner un incendie.

CONSEILS ET SUGGESTIONS

⚠ Les instructions d'utilisation s'applique à plusieurs versions de ce type d'appareil. En conséquence, il est possible que vous trouviez des descriptions de caractéristiques ne s'appliquant pas à votre appareil.

INSTALLATION

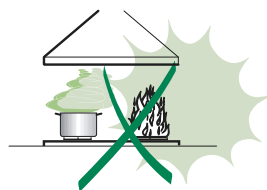
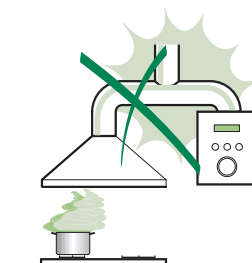
- Le fabricant décline toute responsabilité en cas de dommage dû à une installation inadéquate ou non conforme aux règles de l'art.
- Vérifiez que la tension du secteur correspond à la valeur qui figure sur la plaque apposée à l'intérieur de la hotte.
- L'alimentation électrique doit être adéquatement et suffisamment mise à la terre.
Connectez la hotte à la sortie de l'air aspiré à l'aide d'une tuyauterie d'un diamètre ou supérieur à 6 po. Le parcours de la tuyauterie doit être le plus court possible.
- Évitez de connecter la hotte à des conduites d'évacuation de fumées issues d'une combustion tel que une chaudière, une cheminée, etc.
- Si vous utilisez des appareils qui ne fonctionnent pas à l'électricité dans la pièce ou est installée la hotte (par exemple : des appareils fonctionnant au gaz), vous devez prévoir une aération suffisante de l'espace. Si la cuisine en est dépourvue, pratiquez une ouverture qui communique avec l'extérieur pour garantir l'infiltration de l'air pur.

UTILISATION

- La hotte a été conçue exclusivement pour un usage domestique, dans le but d'éliminer les odeurs de la cuisine.
- Ne jamais utiliser la hotte de manière abusive.
- Ne pas laisser les flammes libres à forte intensité lorsque la hotte est en service.
- Toujours régler les flammes de manière à éviter toute sortie latérale de ces dernières par rapport au fond des casseroles.
- Contrôler les friteuses lors de l'utilisation, car l'huile surchauffée pourrait s'enflammer.
- La hotte ne doit pas être utilisée par des enfant ou des personnes ne pouvant pas en assurer une utilisation adéquate.

ENTRETIEN

- Avant de procéder à toute opération d'entretien, retirer la hotte en la débranchant ou en la mettant hors-circuit.
- Effectuer un entretien scrupuleux et en temps voulu des filtres.
- Pour le nettoyage des surfaces de la hotte, il suffit d'utiliser un linge humide et un détergent liquide neutre.

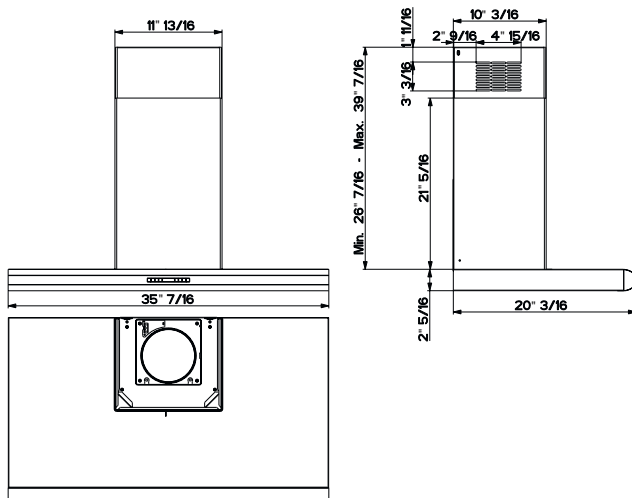


PROTECTEUR THERMIQUE

Cette hotte est équipée d'un protecteur thermique afin de prévenir le surchauffage. Si la hotte s'éteint en cours d'utilisation, appuyez sur le bouton en marche/arrêt afin de remettre la hotte en position Arrêt. Attendez environ **90 minutes**, puis appuyez de nouveau sur le bouton en marche/arrêt pour redémarrer la hotte.

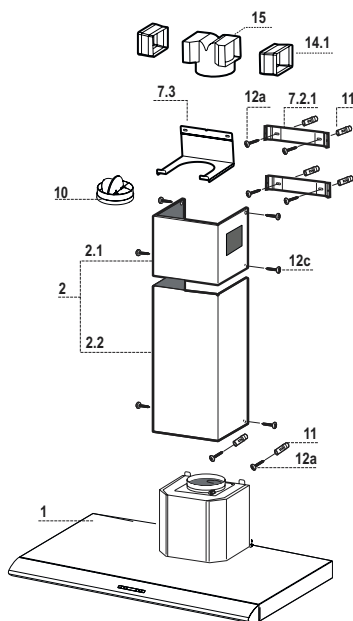
DIMENSIONS et PRINCIPALES PIÈCES

Dimensions



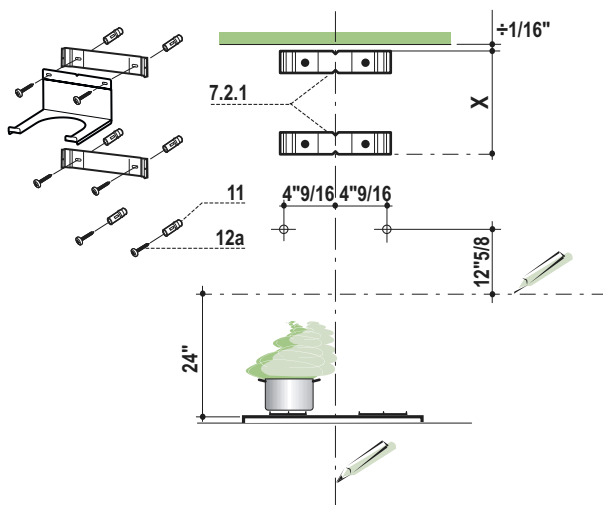
Composantes

Ref.	Qté	Pièces du produit
1	1	Corps de la hotte équipé de : commandes, lumière, groupe ventilateur, filtres
2	1	Cheminée télescopique formée de :
2.1	1	Cheminée supérieure
2.2	1	Cheminée inférieure
10	1	Clapet anti-reflux
14.1	2	Rallonges de raccord de sortie d'air
15	1	Raccord de sortie d'air
Ref.	Qté	Pièces servant à l'installation
7.2.1	2	Brides de montage de la cheminée supérieure
7.3	1	Bride de raccord de sortie d'air
11	6	Chevilles (si fournies)
12a	6	Vis $\frac{3}{16}'' \times 1'' \frac{3}{4}$
12c	6	Vis $\frac{1}{8}'' \times \frac{3}{8}''$
Qté	Documentation	
1	Manuel d'instructions	



INSTALLATION

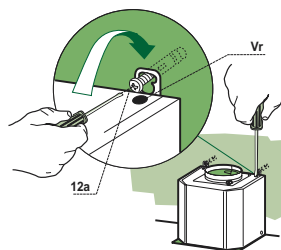
Perçage de la paroi et fixation des brides



- Tracer sur la paroi une ligne verticale allant jusqu'au plafond ou à la limite supérieure, au centre de la zone prévue pour l'installation de la hotte.
- Tracer une ligne horizontale à 24 pop. au-dessus du plan de cuisson.
- Poser comme indiqué une bride **7.2.1** sur la paroi à 1/16 pop. du plafond ou de la limite supérieure, en alignant son centre (encoche) sur la ligne verticale de repère.
- Marquer les centres des trous rainurés de la bride.
- Poser comme indiquer la bride **7.2.1** à X pop. sous la première bride (X = hauteur de la cheminée supérieure), en alignant son centre (encoche) sur la ligne verticale de repère.
- Marquer les centres des trous rainurés de la bride.
- Marquer comme indiqué un point de référence à 4 et 9/16 pop. de la ligne verticale de repère ainsi qu'à 12 et 5/8 pop. au dessus de la ligne horizontale de repère.
- Répéter cette opération sur le côté opposé.
- Perce de \varnothing 5/16 pop. tous les points marqués.
- Insérer les chevilles **11** dans les trous.
- Fixer la bride inférieure **7.2.1** en utilisant les **12a** fournies.
- Fixer ensemble la bride supérieure **7.2.1** et le support **7.3** en utilisant les 2 vis **12a** fournies.
- Visser les 2 vis **12a** fournies dans les trous de fixation du corps de la hotte, en laissant un espace de 3/16 pop. entre le mur et la tête de vis.

Montage du corps de la hotte

- Avant d'accrocher le corps de la hotte, serrer les deux vis **Vr** situées sur les points d'ancrage du corps de la hotte.
- Accrocher le corps de la hotte solidement aux vis **12a** prévues à cet effet.
- Ajuster les vis **Vr** afin de placer le corps de la hotte à niveau.



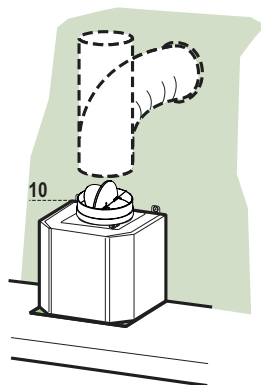
Note: Le corps de la hotte devrait être fixé au poteau mural. Si nécessaire, installer un support en bois derrière la paroi sèche, à mi-chemin entre deux poteaux muraux. Cela fournira la structure et le soutien nécessaire au montage.

Branchements

SORTIE D'AIR VERSION ASPIRANTE

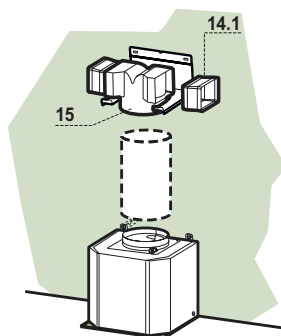
En cas d'installation en version aspirante, brancher la hotte à la tuyauterie de sortie via un tube rigide de 6 po.

- Installer le clapet d'air **10** \varnothing 6 po.
- Fixer le tube par des colliers appropriés. Le matériel nécessaire n'est pas fourni.



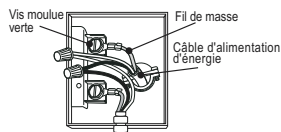
SORTIE D'AIR VERSION FILTRANTE

- Insérer le raccord **15** dans le support **7.3**.
- Insérer latéralement les rallonges de raccord **14.1** sur le raccord **15**.
- S'assurer que la sortie des rallonges de raccord **14.1** se trouve au niveau des ouvertures de la cheminée aussi bien en horizontal qu'en vertical.
- Brancher le raccord **15** à la sortie du corps de la hotte avec un tube rigide de 6 po. (pas fourni)
- S'assurer de la présence des filtres anti-odeur au charbon actif.



BRANCHEMENT ÉLECTRIQUE

- Retirer le couvercle du compartiment de filage à l'aide d'un tournevis Phillips.
- Passer le câble d'alimentation dans la pastille enfonçable. Brancher le câble d'alimentation sur la hotte. Attacher le conducteur de mise à la terre du câble d'alimentation à la vis verte fournie. Attacher le fil blanc du câble d'alimentation au fil blanc de la hotte avec une cosse (connecteur de fils). Attacher le fil noir du câble d'alimentation au fil noir de la hotte avec une cosse (connecteur de fils).
- Replacer le couvercle.



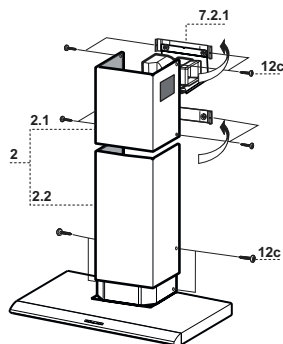
Montage de la cheminée

Cheminée supérieure

- Élargir légèrement les deux bords latéraux et les accrocher derrière les brides **7.2.1**; refermer jusqu'à la butée.
- Fixer latéralement aux brides à l'aide des 4 vis **12c** fournies.
- S'assurer que la sortie des rallonges de raccord se trouve au niveau des bouches de la cheminée.

Cheminée inférieure

- Élargir légèrement les deux bords latéraux de la cheminée et les accrocher entre la cheminée supérieure et la paroi; refermer jusqu'à la butée.
- Fixer latéralement la partie inférieure au corps de la hotte à l'aide des 2 vis **12c** fournies.



UTILISATION



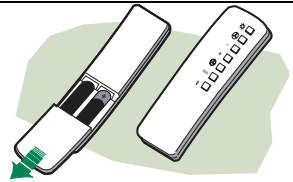
Tableaux des commandes

Touche	Fonction	Afficheur
A	Allume et éteint le moteur de ventilation à la dernière vitesse utilisée	Affiche la vitesse sélectionnée.
B	Diminue la vitesse de ventilation.	
C	Augmente la vitesse de ventilation.	
D	Active la vitesse intensive à partir de n'importe quelle vitesse, même du moteur arrêté. Cette vitesse est programmée pour durer 10 minutes, après quoi le système retourne à la vitesse réglée au préalable. Sert à faire face à une quantité maximale de fumée de cuisson, lorsqu'il est nécessaire d'éliminer vapeurs et odeurs rapidement et immédiatement.	Affiche HI et le point en bas à droite clignote une fois par seconde.
E	Active le moteur à une vitesse permettant une aspiration de 60 CFM pendant 10 minutes toutes les heures, puis le moteur s'arrête. Quand l'alarme filtres est déclenchée, appuyer sur cette touche pendant 3 secondes environ pour remettre l'alarme à l'état initial. Ces indications sont visibles uniquement quand le moteur est éteint.	Affiche 24-function . Le point en bas à droite clignote, quand le moteur fonctionne. En fin de procédure, le signal affiché précédemment s'éteint : FF indique qu'il faut laver les filtres à graisse métalliques. L'alarme se déclenche après 100 heures de fonctionnement effectif de la hotte. EF Indique qu'il faut remplacer les filtres au charbon actif et laver les filtres à graisse métalliques. L'alarme se déclenche après 200 heures de fonctionnement effectif de la hotte.
F	Active l'arrêt automatiquement retardé de 30 minutes. Utile pour achever d'éliminer toute odeur résiduelle. S'active depuis toutes les positions et se désactive en appuyant sur la touche ou en éteignant le moteur.	Affiche la vitesse de service et le temps restant avant l'arrêt de la hotte. Le point en bas à droite clignote, indiquant tour à tour la vitesse et le temps restant.
G	Allume et éteint la lumière.	
H	Allume et éteint la lumière à intensité réduite.	

SOIN ET ENTRETIEN

TÉLÉCOMMANDE (EN OPTION)

Cet appareil peut être contrôlé à l'aide d'une télécommande alimentée par une pile alcaline carbone-zinc de type AAA (1.5 volt).



Filtres à graisse métalliques

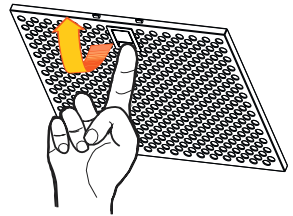
Ils sont lavables au lave-vaisselle et doivent être lavés chaque fois que le symbole **FF** s'affiche ou environ tous les 2 mois, ou plus souvent même, en cas d'utilisation particulièrement intensive.

Rétablissement du signal d'alarme

- Éteint les lumières et le moteur d'aspiration; au cas où la fonction 24h est active, il convient de la désactiver.
- Appuyer sur la touche **E** jusqu'à ce que l'afficheur s'éteigne.

Nettoyage des filtres

- Retirer les filtres, un à un, en les tenant d'une main et en tirant simultanément vers le bas sur la poignée avec l'autre main.
- Laver les filtres en évitant de les plier, et les faire sécher avant de les remonter.
- Remonter les filtres en faisant attention de tenir la poignée vers la partie externe.



Filter anti-odeur au charbon actif (version filtrante)

- Il ne peut être ni lavé, ni récupéré. Il faut le changer quand **EF** s'affiche ou au moins tous les 4 mois.

Déclenchement du signal d'alarme

- Pour les hottes de la version filtrante, l'alarme indiquant la saturation des filtres doit être activée au moment de l'installation ou ultérieurement.
- Éteindre les lumières et le moteur d'aspiration.
- Débrancher la hotte du réseau électrique.
- Rétablir le branchement, puis presser et maintenir la touche **B**.
- Relâcher la touche et deux rectangles en rotation apparaissent sur l'afficheur.
- **Dans les 3 secondes** qui suivent, appuyer sur la touche **B** jusqu'à ce que s'affichent :
 - **EF** clignotant deux fois – Alarme saturation filtre charbon actif **ACTIVÉE**
 - **EF** clignotant une fois – Alarme saturation filtre charbon actif **DÉSACTIVÉE**.

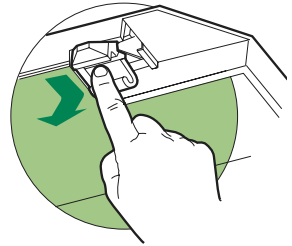
REPLACEMENT DU FILTRE ANTI-ODEUR AU CHARBON ACTIF

Rétablissement du signal d'alarme

- Éteint les lumières et le moteur d'aspiration; au cas où la fonction 24h est active, il convient de la désactiver.
- Appuyer sur la touche **E** jusqu'à ce que l'afficheur s'éteigne.

Changement des filtres

- Retirer les filtres à graisse métalliques.
- Retirer le filtre anti-odeur au charbon actif saturé en agissant sur les crochets qui le tiennent en place.
- Mettre le nouveau filtre en l'accrochant bien en place.
- Remonter les filtres à graisse métalliques

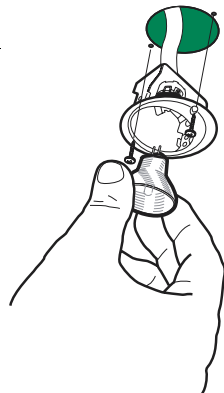


Éclairage

REPLACEMENT DES AMPOULES

Lampe halogène de 20 W.

- Retirer les 2 vis qui fixent le support éclairage et retirer ce dernier de la hotte.
- Extraire l'ampoule du support.
- Remplacer par une nouvelle ampoule possédant les mêmes caractéristiques, en veillant à ce que les deux fiches soient correctement insérées dans le logement de la douille.
- Remonter le support en le fixant à l'aide des deux vis précédemment retirées.





436003936_01 - 070811

Free Manuals Download Website

<http://myh66.com>

<http://usermanuals.us>

<http://www.somanuals.com>

<http://www.4manuals.cc>

<http://www.manual-lib.com>

<http://www.404manual.com>

<http://www.luxmanual.com>

<http://aubethermostatmanual.com>

Golf course search by state

<http://golfingnear.com>

Email search by domain

<http://emailbydomain.com>

Auto manuals search

<http://auto.somanuals.com>

TV manuals search

<http://tv.somanuals.com>