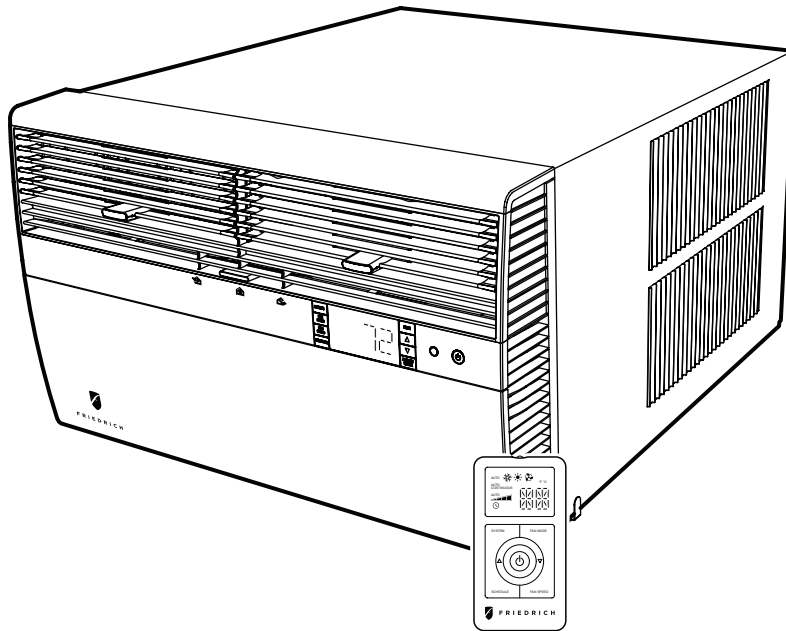




FRIEDRICH

Room Air Conditioners



Standard Chassis Models

Kühl

115-Volt: SS08M10, SS10M10, SS12M10, SS14M10
208-230-Volt: SS12M30, SS15M30, SM18M30, SM21M30
SM24M30, SL28M30, SL36M30

Kühl+

Electric Heat

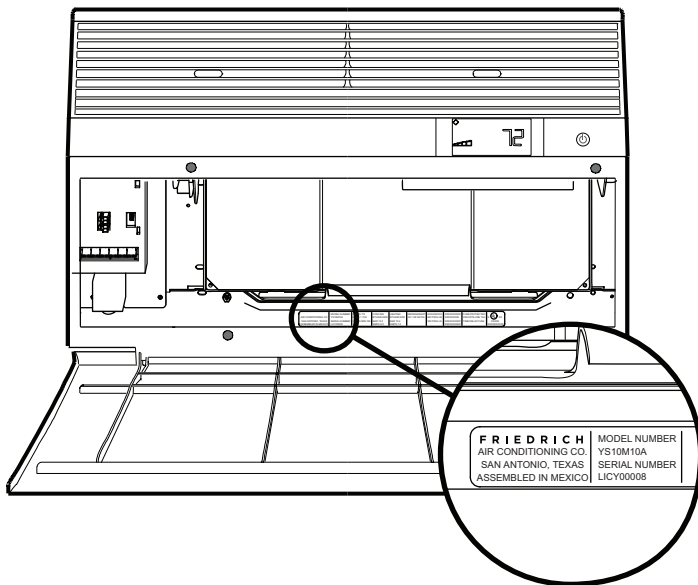
Kühl+

Heat Pump

115-Volt: YS10M10
208-230-Volt: ES12M33, ES15M33, YS12M33, EM18M34,
YM18M34, EM24M34, EL36M35, YL24M35

THANK YOU!

Thank you for your decision to purchase the Friedrich High Efficiency Air Conditioner. Your new Friedrich has been carefully engineered and manufactured to give you many years of dependable, efficient operation, maintaining a comfortable temperature and humidity level. Many extra features have been built into your unit to assure quiet operation, the greatest circulation of cool, dry air, and the most economic operation.



Register your air conditioner

Model information can be found on the name plate behind the front cover.

Please complete and mail the owner registration card furnished with this product, or register online at www.friedrich.com (USA only). For your future convenience, record the model information here.

MODEL NUMBER

SERIAL NUMBER

PURCHASE DATE

Table of Contents

Safety Precautions	4
Unpacking Instructions	5
WARNING: Before Operating Your Unit	6
Standard Filter Cleaning / Installation Instructions	7
Premium Carbon Filter Installation Instructions	8
Control Panel Operation	10
Add a Remote Thermostat	14
Remote Thermostat Selection	14
Remote Control Operation	15
Remote Effectiveness	15
Airflow Selection and Adjustment	17
Installation Instructions	18
Standard Window Installation	20
Cord Routing Change	30
Through-the-Wall Installation	32
Programmable Thermostat	36
Final Inspection & Start-up Checklist	38
Routine Maintenance	39
Service and Assistance	39
Available Accessories	39
Troubleshooting Tips	40
Addendum 1	42

Safety Precautions

Your safety and the safety of others are very important.

We have provided many important safety messages in this manual and on your appliance. Always read and obey all safety messages.



This is a safety Alert symbol.

This symbol alerts you to potential hazards that can kill or hurt you and others.

All safety messages will follow the safety alert symbol with the word "WARNING" or "CAUTION". These words mean:



Indicates a hazard which, if not avoided, can result in severe personal injury or death and damage to product or other property.



Indicates a hazard which, if not avoided, can result in personal injury and damage to product or other property.

All safety messages will tell you what the potential hazard is, tell you how to reduce the chance of injury, and tell you what will happen if the instructions are not followed.

NOTICE

Indicates property damage can occur if instructions are not followed.

WARNING



Refrigeration system under high pressure

Do not puncture, heat, expose to flame or incinerate.

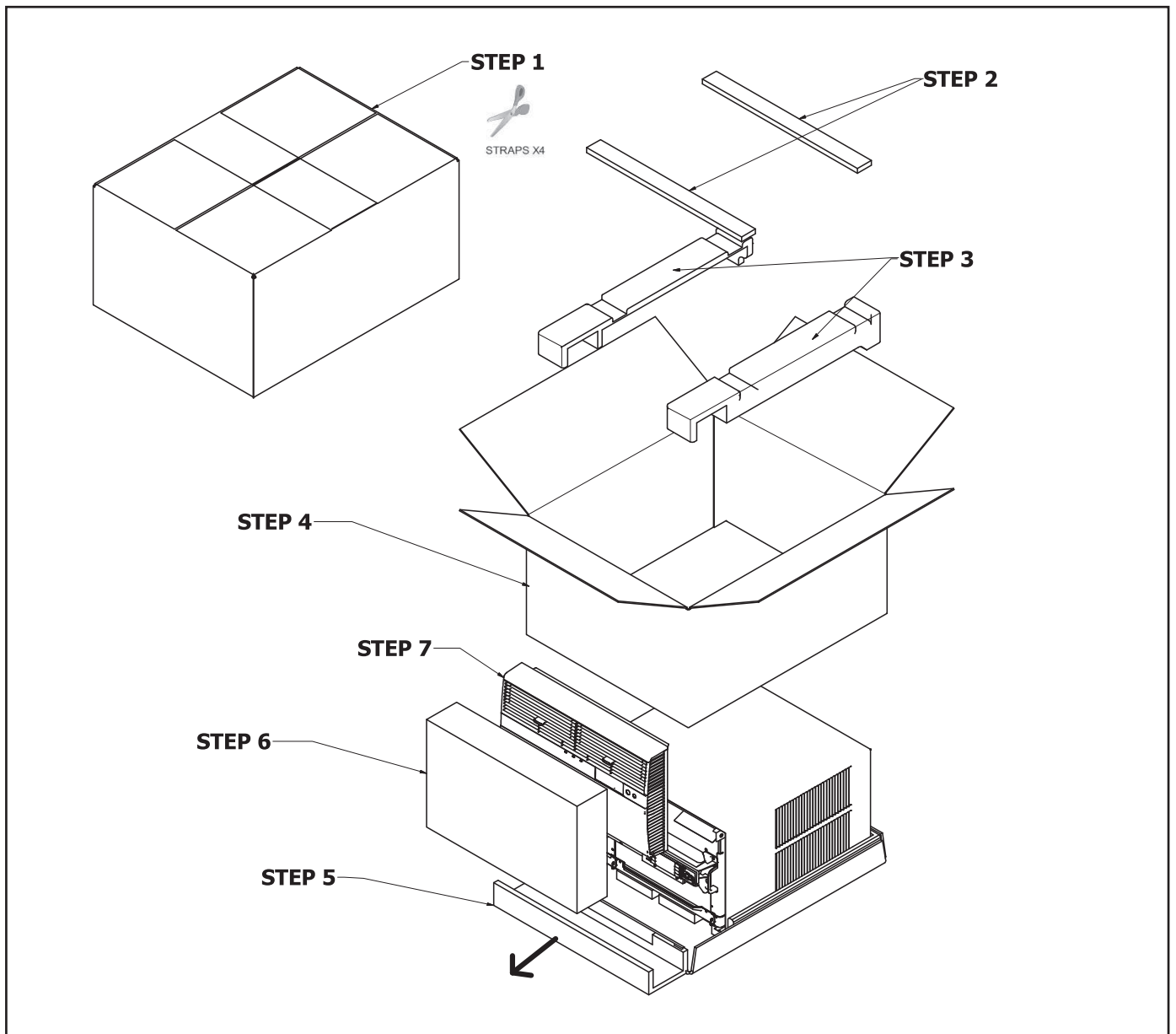
Only certified refrigeration technicians should service this equipment.

R410A systems operate at higher pressures than R22 equipment. Appropriate safe service and handling practices must be used.

Only use gauge sets designed for use with R410A. Do not use standard R22 gauge sets.


Unpacking Instructions

- STEP 1.** Cut all 4 packing straps.
- STEP 2.** Remove wooden shipping bar dividers.
- STEP 3.** Remove top foam pads.
- STEP 4.** Slowly remove outer box, careful not to loosen decorative front.
- STEP 5.** Slide the foam front support forward
- STEP 6.** Carefully lift decorative front box from foam front support
- STEP 7.** Remove decorative front and set safely aside



WARNING: Before Operating Your Unit

⚠ WARNING



Electrical Shock Hazard

Make sure your electrical receptacle has the same configuration as your air conditioner's plug. If different, consult a Licensed Electrician.

Do not use plug adapters.
Do not use an extension cord.
Do not remove ground prong.

Always plug into a grounded 3 prong outlet. Failure to follow these instructions can result in death, fire, or electrical shock.

NOTICE

Do not use the LCDI device as an ON/OFF switch.

Failure to adhere to this precaution may cause premature equipment malfunction.

Once plugged in, the unit will operate normally without the need to reset the LCDI device. If the LCDI device fails to trip when tested or if the power supply cord is damaged, it must be replaced with a new power supply cord from the manufacturer. Contact our Technical Assistance Line at (800) 541-6645. To expedite service, please have your model number available.

Make sure the wiring is adequate for your unit.

If you have fuses, they should be of the time delay type. Before you install or relocate this unit, be sure that the amperage rating of the circuit breaker or time delay fuse does not exceed the amp rating listed in Table 1.





DO NOT use an extension cord.

The cord provided will carry the proper amount of electrical power to the unit; an extension cord may not.

Make sure that the receptacle is compatible with the air conditioner cord plug provided.

Proper grounding must be maintained at all times. Two prong receptacles must be replaced with a grounded receptacle by a certified electrician. The grounded receptacle should meet all national and local codes and ordinances. You must use the three prong plug furnished with the air conditioner. Under no circumstances should you remove the ground prong from the plug.

Table 1.

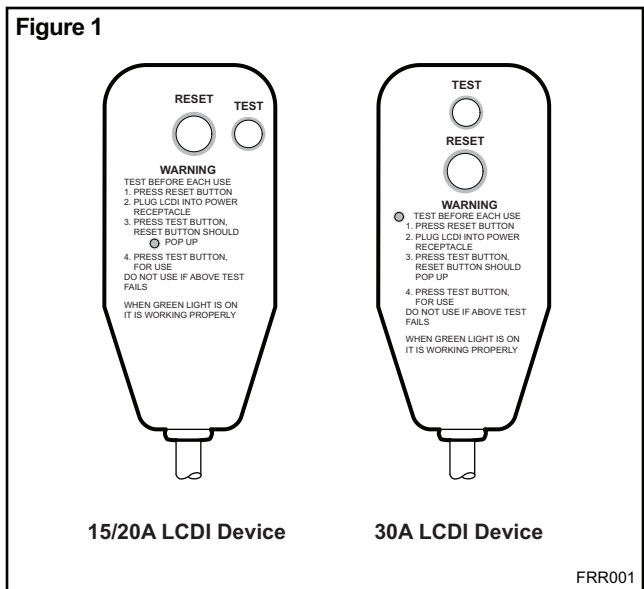
MODEL	CIRCUIT RATING OR TIME DELAY FUSE		REQUIRED WALL RECEPTACLE	
	AMP	VOLT	NEMA NO.	
SS08M10, SS10M10, SS12M10, SS14M10, YS10M10	15	125	5-15R	
SS12M30, SS15M30, SM18M30, SM21M30	15	250	6-15R	
SM24M30, SL28M30, ES12M33, ES15M33, YS12M33	20	250	6-20R	
SL36M30, EM18M34, EM24M34, EL36M35, YM18M34, YL24M35	30	250	6-30R	

Test the power cord

All Friedrich room air conditioners are shipped from the factory with a Leakage Current Detection Interrupter (LCDI) equipped power cord. The LCDI device on the end of the cord meets the UL and NEC requirements for cord connected air conditioners.

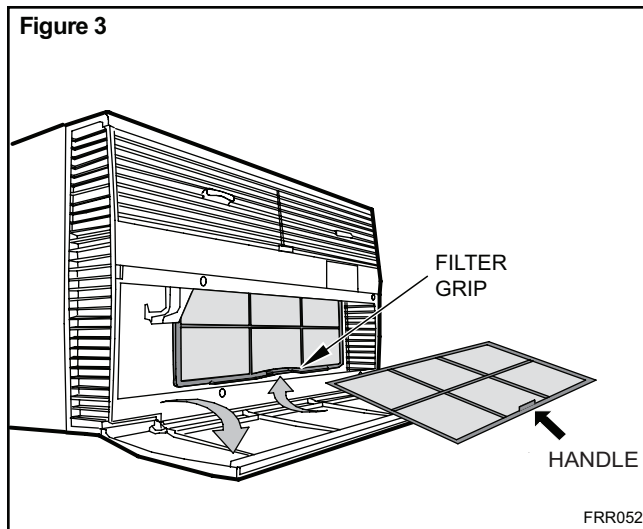
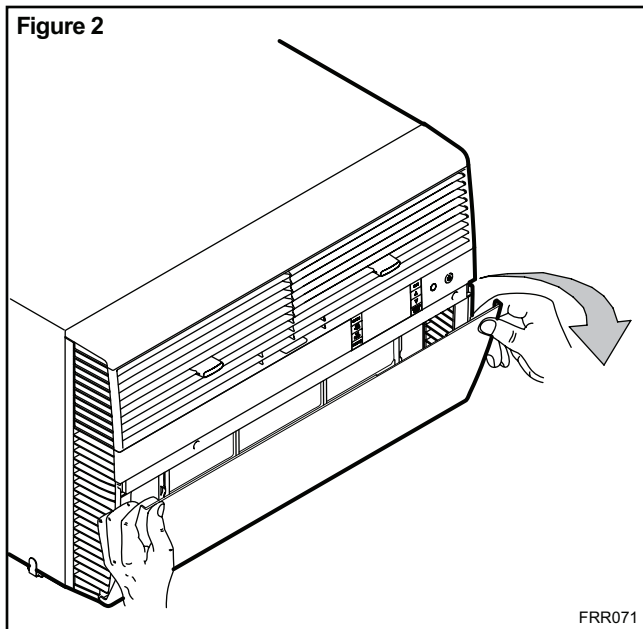
To test your power supply cord:

1. Plug power supply cord into a grounded 3 prong outlet.
2. Press RESET (See Figure 1).
3. Press TEST, listen for click; the RESET button trips and pops out.
4. Press and release RESET (Listen for click; RESET button latches and remains in). The power cord is ready for use.



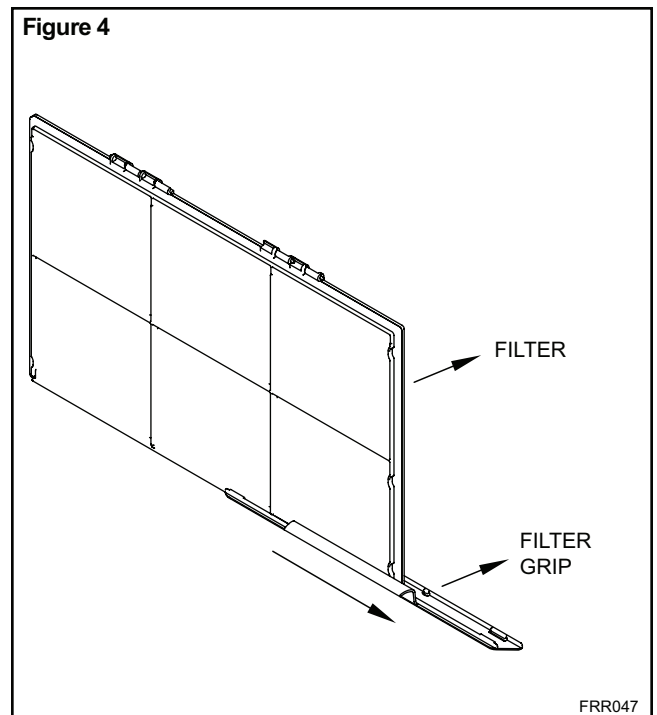
Standard Filter Cleaning / Installation Instructions

STEP 1. Swing the door open and remove the filter by grasping the filter grip and pushing the filter holder upward and outward.

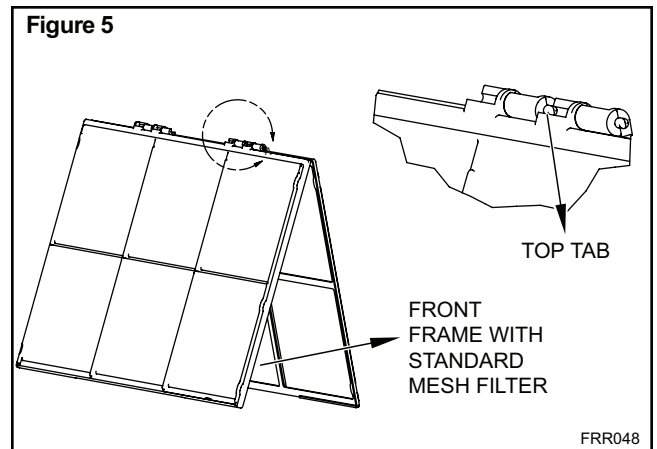


STEP 2. Slide the filter grip out from the filter as shown in Figure 4.

NOTE: Make sure the front frame with the mesh filter is facing you.



STEP 3. Swing the front frame open. Clean the front frame by washing the dirt from the filter. Use a mild soap solution if necessary. Allow filter to dry.



STEP 4. Install the filter grip back into the filter by sliding it into the filter.

NOTE: The filter handle slides into the frame in only one direction. If the tab in the frame stops the handle from sliding in, slide the handle from the other direction. **Do not force the handle into the frame.**

STEP 5. Install the filter back into the unit. Follow the Instructions on the inside of the front door.

Premium Carbon Filter Installation Instructions

STEP 1. Remove the filter from the unit as per the instructions on the inside of the filter door.

STEP 2. Hold the filter at the top and slide the filter grip out as shown in Figure 4.

STEP 3. If you already have a carbon filter installed remove the dirty filter by laying the filter down and swinging open the front frame as shown in Figure 6.

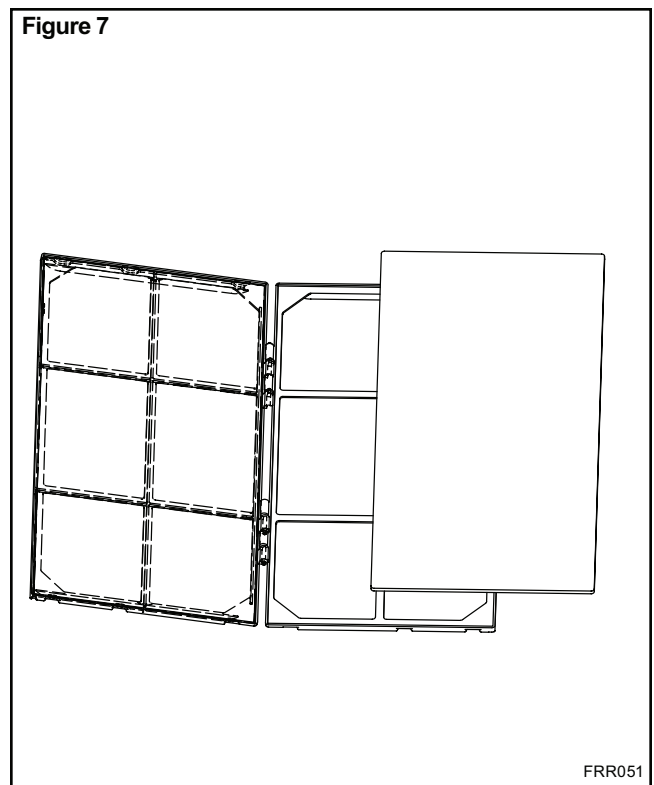
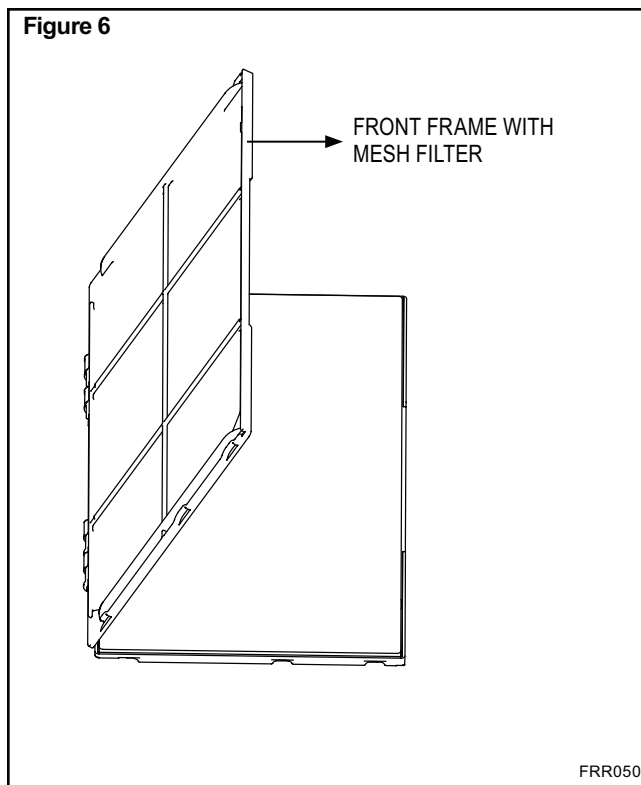
NOTE: Make sure the frame with the mesh is facing towards you.

STEP 4. Place the new carbon filter on the top of the back filter frame. The carbon filter has been cut to the correct dimension and should fit within the frame as shown in figure 7

NOTE: The carbon filter is not a re-usable filter, and needs to be replaced every three months for optimum efficiency.

STEP 5. Slide the filter handle back on to hold the frames together and slide the assembly into the unit as per the instructions on the door.

NOTE: The filter handle slides into the frame in only one direction. If the tab in the frame stops the handle from sliding in, slide the handle from the other direction. **Do not force the handle into the frame.**



THIS PAGE INTENTIONALLY LEFT BLANK

Control Panel Operation

Let's check out how to control your air conditioner. On the control panel, just to the left of the POWER (⏻), is a liquid crystal display (LCD). All of the control panel function buttons and mode icons can be viewed in Figure 8.

Power On – Press the (⏻) button to turn on the air conditioner. The power button will illuminate to indicate the power is on. The backlight on the power switch will automatically dim to 20% intensity after 15 seconds of inactivity. The remote control can also be used to turn power ON / OFF (See Remote Control).

Display – The display is a high efficiency LCD with a built-in white back light. The back light has an automatic two (2) step dim function. After 15 seconds of inactivity, the display dims to 20% intensity. After an additional 120 seconds, the display switches off. Touching buttons will automatically bring the display to full brightness.

There are four control push buttons on each side of the display.

SYSTEM Button – Allows the user to sequentially select, **AUTO** Cool ❄️, **HEAT** 🔥, and **FAN ONLY** 🌀 operation. Press the **SYSTEM** button and the display advances to the next mode. A new icon appears. At the same time, the mode displays for two (2) seconds, then returns the display to the temperature set point for modes other than FAN. Note that when the heating function is not available, the system will automatically skip the **HEAT** 🔥 and **AUTO** modes.

NOTE: After the compressor stops the fan will continue to operate for 30 seconds.

FAN MODE Button – Selects between automatic **AUTO** or **CONTINUOUS** operation. In the **AUTO** mode, the fan only turns on and off when the compressor operates or the heat function is enabled.

In the **FAN ONLY** Mode, **AUTO** is not available. The display indicates **CONTINUOUS**. In the **CONTINUOUS** mode, fans speed is determined by your selection on the **FAN SPEED** button.

FAN SPEED Button – Used to sequentially select between fan speeds. Depending on your model, you can select between LOW, MED, HIGH, and MAX and AUTO. Max setting not on SL, EL, YL or cool plus models). When the **FAN SPEED** button is pressed, the fan speed is temporarily displayed in the display window, plus a fan speed icon (triangle) changes to indicate the new speed level. When auto is selected, fan speed automatically varies depending on the set temperature on the control panel and the actual room temperature. Let me explain. Say for example you're working in your garage and you need to open the big door for several minutes. The air conditioner will sense a wide difference between the set temperature and the actual room temperature when this occurs the system fan speed increases to MAX. The fan speed decreases (in step) as the temperature difference decreases. When the set point temperature is reached the FAN speed returns to the original setting.

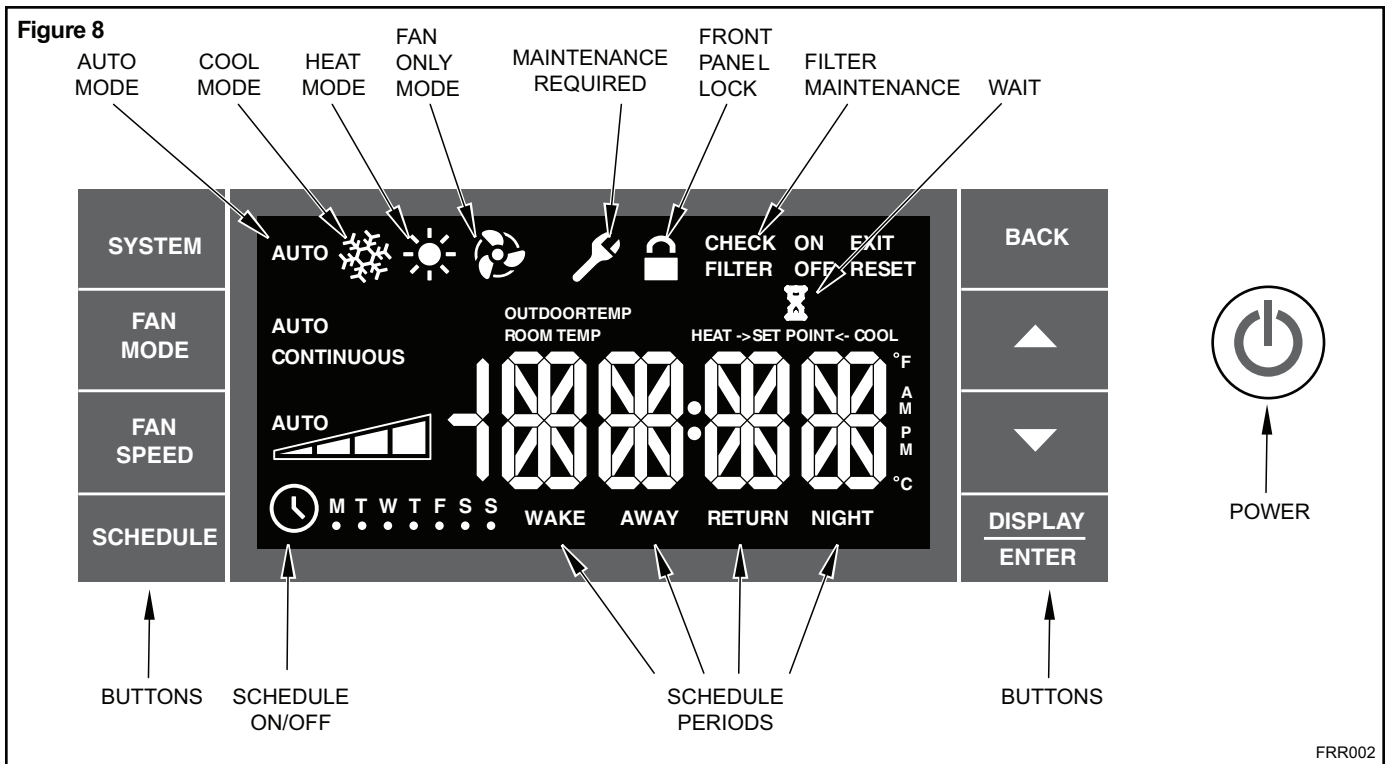
SCHEDULE Button – The **SCHEDULE** button turns the schedule function on and off. The current day of the week is indicated as a dot underneath the day symbol. Pressing the **SCHEDULE** button a second time turns the schedule function off. The schedule function comes preprogrammed with recommended energy savings values (Addendum 1). The values may be changed through the schedule program function (See Programmable Thermostat).

UP and DOWN arrows – Pressing either **▲** (UP) or **▼** (DOWN) button changes the desired room temperature. The factory preset lower and upper limits are 60° F (16° C) and 99° F (37° C). These buttons are also used to navigate between function options when using the User Menu or Maintenance Mode.




BACK Button – This button is used after a menu item has been selected. It takes the user back to the previous menu level.





DISPLAY/ENTER Button – This button is used in conjunction with User menu and Maintenance Mode operation to select items. This button may also be used alternately to display the ROOM TEMPERATURE and TIME. If the display is left inactive for 10 seconds it will reset to the TEMPERATURE SET POINT.




Alerts – The control system has five (5) customer alerts.






FRR002

CHECK FILTER – When the filter needs to be checked, an icon  appears on screen. The word “RESET” appears next to the  button. The  alert is issued when the fan run time is greater than 500 hours. This alert may be reset by the user (Refer to Special Functions, Filter Reset).


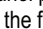

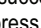



Maintenance Required – When maintenance is required, a service icon  appears on screen. This icon will not be dismissed until maintenance has been performed. If the service icon  flashes, maintenance is required and must only be performed by qualified service personnel. When the icon  is on standby the system has sensed an abnormal condition. For example: The air in/out louvres may be blocked. Once proper air flow is established the service icon  goes away.





Wait – The WAIT icon  illuminates when the compressor lockout is active. Whenever the compressor shuts off, system pressures must be allowed to equalize. At this time, an internal timer begins a count-down from up to 240 seconds. If a demand for heat or cool occurs during this count-down the WAIT icon  displays letting you know that the compressor will not operate until the count-down has completed. This timer prevents damage to the unit if it tries to start too quickly after it stops running. Normally the WAIT icon  is off. Once the timer has cleared, the air conditioner will heat or cool based on the temperature setting. Electric heat is not affected by this timer.

Protection Alert (Freeze) – If the room freeze protection is active, the display indicates this by showing Room Freeze Protection “FRZ”. Once the condition is satisfied, the “FRZ” display is removed. If the room temperature is less than 40° F (4° C), and the air conditioner is equipped with electric heat, the room freeze protection will activate. The air conditioner will run high fan and electric heat until the room temperature reaches 46° F (8° C). Pressing the  button delays the freeze protection function for five (5) minutes.



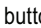


Low Battery – When the battery is low a warning display  will be inserted before other messages such as “COOL”. If the Low Battery  alert is on, the battery in the control unit must be changed. Refer to the changing the battery procedure. Once the battery is changed, the alert message will go off. Refer to Troubleshooting Tips. Under normal conditions the battery life should be greater than 7 years.

Special Functions

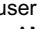

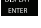

Panel Lock  – The front panel push buttons can be locked to prevent inadvertent operation. To lock the front panel, press and hold the  +  buttons for three (3) seconds. A double beep indicates your mode change was successful and a  icon appears on the display. To unlock the display, press and hold the  +  buttons for three (3) seconds. The  icon will no longer be visible.

Filter Reset – If the  icon displays, the timer may be reset by pressing and holding the  button for three (3) seconds. A beep indicates the  system timer was reset and the  icon and the word “RESET” will no longer be visible.



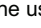

User Menu Functions – The User Menu Functions allows you to change the following selections: Set TIME, 12/24 Hour Clock Format, BEEP ON / OFF, DIM ON / OFF, Emergency Heat (EMHT) ON / OFF, Auto BAND Adjust, F / C Select, FRZ ON / OFF, the Automatic Temperature Sensing Feature and Temp Offset.

To enter the User Menu, press and hold  for 3 seconds, the TIME selection appears. Use the  (UP) or  (DOWN) buttons to scroll through the User Menu. Press the  button to enter the displayed function. If left inactive for 15 minutes the User Menu display will no longer be visible and it returns to normal operation mode display. To manually exit the User Menu, press the  button.

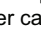
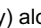

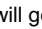


The hour digits flash first. The user presses the  or  to change the hours. To change AM-PM, the hours must be advanced 12 hours. Press the  key to change to the minutes. To exit the selection process, user presses the  key which will go to the time screen.


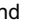


The minutes digits flash. The user presses the  or  to change the minutes. Press the  key to change the days. To exit the selection process, the user presses the  key which will go to the time screen.






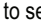

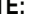











The dot underneath the days of the week begins to blink to indicate which day it is. If the user has not set the date before, the dot starts on Monday. If the user is making a correction to previously set information the dot appears under whichever day the unit thinks it is. The user can press  or  to move the dot left or right (respectively) along the week. The user presses  to loop back to the hours setting. To exit the selection process, the user presses the  key which will go to the time screen.




Tuesday has been selected. The user presses  to loop back to the hours setting. To exit the selection process and accept the changes, the user presses the  key which will go to the time screen.

FRR062

Time Setting – When in the User Menu, on the Control Panel, use the  (UP) and  (DOWN) to select TIME. Push , the hours segment flashes. Use the  (UP) and  (DOWN) to set the hour, then push . The minutes segment flashes. Use the  (UP) and  (DOWN) to set the minutes, then push .

NOTE: If the AM or PM indicator is incorrect, push  until the hours segment flashes, use the  (UP) or  (DOWN) to advance the hour segment 12 hours, then push . The day of the week displays. Use the  (UP) or  (DOWN) to select the current day. Press the  key to save and go back to the TIME screen. Press  (UP) to go to the next menu 1224.

NOTE: Pressing the  button again will exit the user menu function mode. Or simply leave the control inactive for 15 seconds and the control will return back to normal operation.



User presses **▲** or **▼** to toggle the format between 12HR and 24HR display. To exit the selection process and accept the change, press the **BACK** key.

FRR063

Clock Type – You may select between a 12 hr and 24 hr clock. When 1224 is displayed press the **DISPLAY ENTER** key then press **▲** (UP) or **▼** (DOWN) to toggle between 12 hr and 24 hr clock. To accept the change, press the **BACK** key to return to the 1224 screen. Press the **▲** (UP) to go to the next menu BEEP.



User presses **▲** or **▼** to toggle between Beep On and Beep Off. Press the **BACK** key to accept the change and exit the selection process.

FRR064

Audible Alerts – You can select to have the control beep when entering menus. When BEEP is displayed press the **DISPLAY ENTER** key then press **▲** (UP) or **▼** (DOWN) to toggle between ON and OFF. To accept the change, press the **BACK** key to return to the BEEP screen. Press the **▲** (UP) to go to the next menu EMHT on Kühl+ models or F C for Kühl models.



User presses **▲** or **▼** to toggle between Emergency Heat On and Emergency Heat Off. Press the **BACK** key to accept the change and exit the selection process.

FRR065

Emergency Heat – The Kühl+ heat pump models (YS, YM, YL) have a special feature that is designed to keep the unit providing heat. When EMHT is displayed press the **DISPLAY ENTER** key then press **▲** (UP) or **▼** (DOWN) to toggle between ON and OFF.

To accept the change, press the **BACK** key to return to the EMHT screen. Press the **▲** (UP) to go to the next menu BAND.

In the unlikely event of a compressor failure, the heat pump unit may be switched to operate in the electric heat mode only until repairs can be made.



The menu allows the user to adjust the minimum spread between the Auto Cool set point and the Auto Heat set point. Press the **▲** or **▼** key to adjust. The adjust range is 3 to 10.

FRR066

Auto Changeover 'Dead Band' – A buffer Zone between heating and cooling in which no conditioning occurs. For Kühl+ models with the auto changeover feature you can select the temperature band between heating and cooling. From the factory the band is set at 3° F (-16° C). The band is adjustable from 3° F (-16° C) to 10° F (-12° C). When BAND is displayed press the **DISPLAY ENTER** key then press **▲** (UP) or **▼** (DOWN) to toggle between 3 and 10. To accept the change, press the **BACK** key to return to the BAND screen. Press the **▲** (UP) to go to the next menu F C.



User presses **▲** or **▼** to select between AUTO, DM 20, OFF. Press the **BACK** key to accept the change and exit the selection process.

The Dim Auto automatically dims the display and then turns it off after a period of time. The Dim 20 setting behavior is similar to AUTO, but prevents the display from turning off. Minimum brightness is 20%. The Dim Off setting forces the display to run at full brightness.

FRR067



User presses **▲** or **▼** at the same time to toggle between Fahrenheit or Celsius as their temperature unit of choice. Press the **BACK** key to accept the change and exit the selection process.

FRR068

Fahrenheit / Celsius Selection – You may select between displaying temperature in F or C. When F C is displayed press the **DISPLAY ENTER** key then press **▲** (UP) or **▼** (DOWN) to toggle between F and C. To accept the change, press the **BACK** key to return to the F C screen. Press the **▲** (UP) to go to the next menu FRZ.

User presses ▲ or ▼ to select between Freeze Protection On & Freeze Protection Off. Press the BACK key to accept the change and exit the selection process.

FRR069

Freeze Protection – The Kühl+ models have a special feature that is designed to keep the interior space above freezing by energizing the electric heater anytime the indoor room temperature falls to 40° F (4° C). With the freeze protection feature turned on, when the unit senses the indoor temperature fall to 40° F (4° C) the unit will run the heater and high fan until the space reaches 46° F (8° C) When FRZ is displayed press the DISPLAY ENTER key then press ▲ (UP) or ▼ (DOWN) to toggle between ON and OFF. To accept the change, press the BACK key to return to the FRZ screen. Press the ▲ (UP) to go to the next menu TO.

User presses ▲ or ▼ to increment/decrement the temperature offset (TO) for the room temperature sensor. (Maximum offset = +/- 8 degrees F). Press the BACK key to accept the change and exit the selection process

FRR070

Temperature Offset – In some cases the built in thermostat on the unit may not display the temperature as it is felt in the room. This can be caused by many things including the size of the unit, the heat load on the room or other factors. Friedrich allows you to select the appropriate temperature offset to make the temperature readout as accurate as possible for your application. In many cases the factory 0° F (-18° C) offset will provide an accurate temperature readout. To change the offset follow these instructions. When TO is displayed press the DISPLAY ENTER key then press ▲ (UP) or ▼ (DOWN) to toggle between 0° F (-18° C) and 8° F (-13° C). In most instances an offset from 0° F (-18° C) to 2° F (-17° C) is all that is necessary. To accept the change, press the BACK key to return to the TO screen. Press the ▲ (UP) to go to the next menu TIME.

You may cycle through the menus using the ▲ (UP) or ▼ (DOWN) keys to access any of the menus.

User presses ▲ or ▼ to select between ATSF On or Off. Press the BACK key to accept the change and exit the selection process.

FRR072

FRR073

FRR074

Automatic Temperature Sampling Feature - The automatic temperature sampling feature maintains a balanced temperature throughout the room by circulating the air for 30 seconds once every 9 minutes that the unit is not running and set to cooling or heating mode. By circulating the air the unit can detect hot or cold area in the room and operate the unit to cool or warm the room as necessary. This function is only available when the fan mode is set to 'AUTO' and in COOL or HEAT mode. (Heating function only available on Kuhl+ units)

For display only. No user selectable options.

FRR075

Firmware Version - When VER is displayed press Display / Enter key. The firmware version is displayed as left digit (Major) and right digit (Minor). This version number should be used along with Model and Serial numbers for service.

FRR076

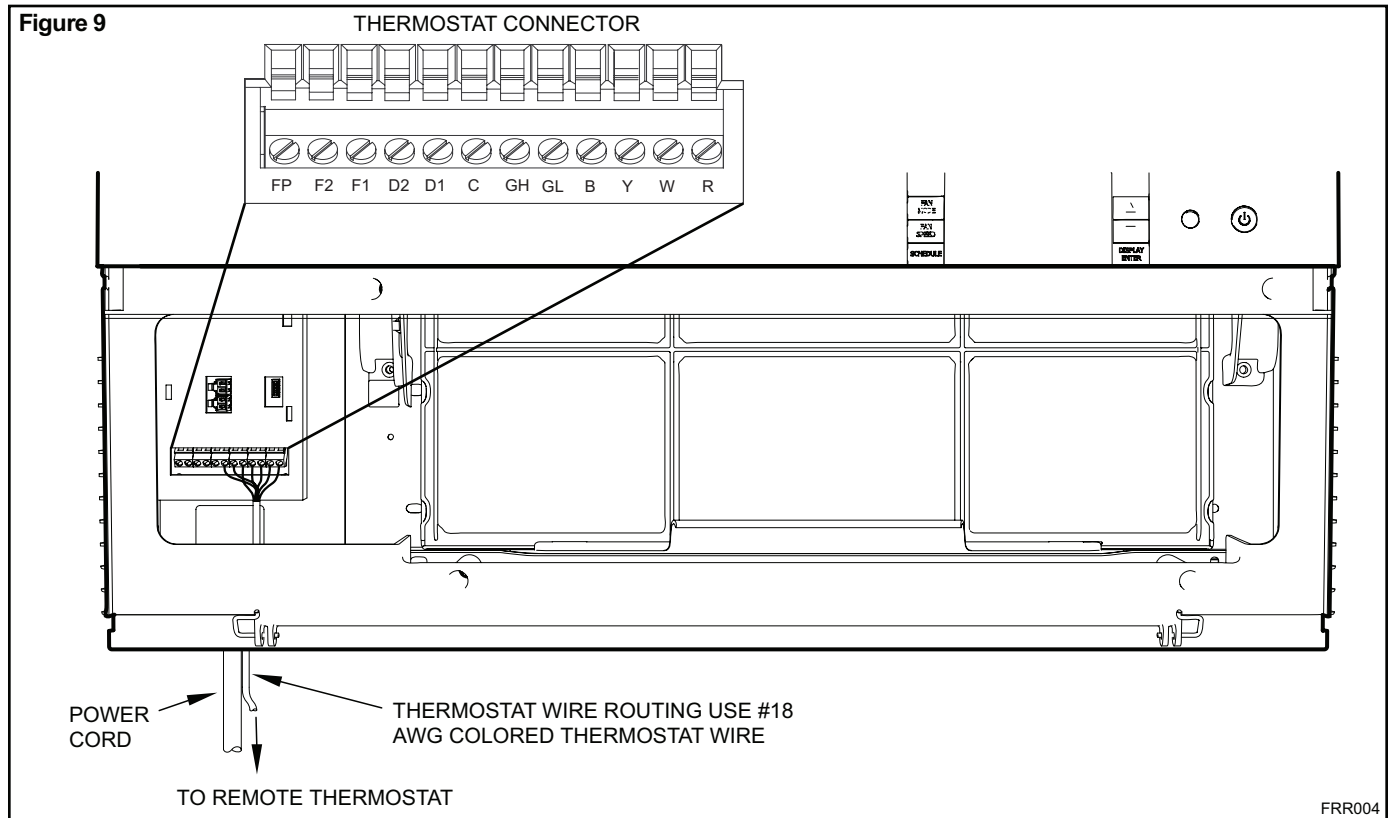
- Changing modes on the remote thermostat will not illuminate the Control Panel LCD.

Add a Remote Thermostat

Remote Thermostat – An external thermostat may be added to the air conditioner to provide remote temperature sensing and control. The thermostat interface connector is located on the panel behind the front grille. To enable the remote thermostat operation, remove the jumper

Remote Thermostat Selection

Friedrich recommends the use of either the RT4 or RT5. The RT4 is a digital display thermostat with single speed fan control. The RT5 features a digital display, two fan speed selection, battery backup and backlight.



Terminal Code	Wire Connection Function
C	Common Ground Terminal
GH	Call for High Fan
GL	Call for Low Fan
B	Call for Heat Pump Reversing Valve
Y	Call for Compressor
W	Call for Heating
R	24V Power from Electronic Control to Wall Thermostat


between terminals FP & F2 on the terminal block. Connect the thermostat using Figure 9 and Table 2 as a guide.

If you connect an external thermostat, all Control Panel buttons will be disabled with the following exception:

- Maintenance commands (double button press & single button extended press).
- The **DELAY ENTER** button for Freeze protection.
- First Button pushed, illuminate the LCD.

Other thermostats may be used as long as they are configured correctly for the unit. For cooling models a single stage cooling thermostat with C, R, G, Y terminals must be used. For electric heat 'E' models a single stage heating and cooling thermostat with C, R, G, Y, W terminals must be used. For heat pump 'Y' models a single stage heating and cooling thermostat with C, R, G, Y, W, B terminals must be used.

⚠ CAUTION



It is the installer's responsibility to ensure that all control wiring connections are made in accordance with the installation instructions.


Improper connection of the thermostat control wiring and/or tampering with the unit's internal wiring can void the equipment warranty.

Failure to follow these instructions can result in personal injury and damage to product or other property.



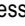
Remote Control Operation

Remote Control – Refer to Figures 11 and 12 during operation description.

Getting Started – Install two (2) AAA batteries in the battery compartment located on the back of the unit.

Operation – The remote control should be within 25 feet of the air conditioner for operation (Refer to Figure 10 for effectiveness). Press the  button to turn the remote on. The remote will automatically power off after 15 seconds if the buttons are not being pressed. The remote must be on to control the unit.

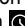
POWER Button – Turns remote and unit on and off.



SYSTEM Button – Allows the user to sequentially select, **AUTO** Cool , HEAT , and FAN ONLY  operation. When the button is pressed, the display indicates which mode has been selected via a display message. Note that when the heating function is not available, the system will automatically skip the HEAT and AUTO modes.

FAN MODE Button – Selects between automatic (**AUTO**) or **CONTINUOUS** operation. In the AUTO mode, the fan only turns on and off when the compressor operates or the heat function is enabled.

NOTE: AUTO is not available in the FAN ONLY Mode, the display indicates **CONTINUOUS**. In the **CONTINUOUS** mode, fan speed is determined by your selection on the **FAN SPEED** button.

FAN SPEED Button – Used to sequentially select new fan speed, plus AUTO operation. When the **FAN SPEED** button is pressed, the fan speed is temporarily displayed in the display window, plus a fan speed icon (triangle) changes to indicate the new speed level. Fan speed automatically varies depending on the set temperature on the control panel and the actual room temperature. Let me explain. Say for example you're working in your garage and you need to open the big door for several minutes. Since there is a big difference between your set temperature and the actual room temperature the system fan speed increases to MAX. It remains at this speed until the room temperature matches the set temperature.

SCHEDULE Button – The **SCHEDULE** button turns the schedule function on and off. Pressing the **SCHEDULE** button a second time turns the schedule function off. Only the schedule icon  will be displayed.

UP and DOWN Arrows – Pressing either the  (UP) or  (DOWN) button changes the desired room temperature. The factory preset lower and upper limits are 60° F (16° C) and 99° F (37° C). These buttons are also used to navigate between function options when using the User Menu or Maintenance Mode.

Remote Effectiveness

Hand Held Remote – Has an operating range of up to 25 ft. The infrared remote control signal must have a clear path to transmit the command to the air conditioning unit. The remote signal has some ability to "bounce" off of walls and furniture similar to a television remote control. The diagram below shows the typical operating range of the control in a standard room with 8 ft high ceilings.

Figure 10

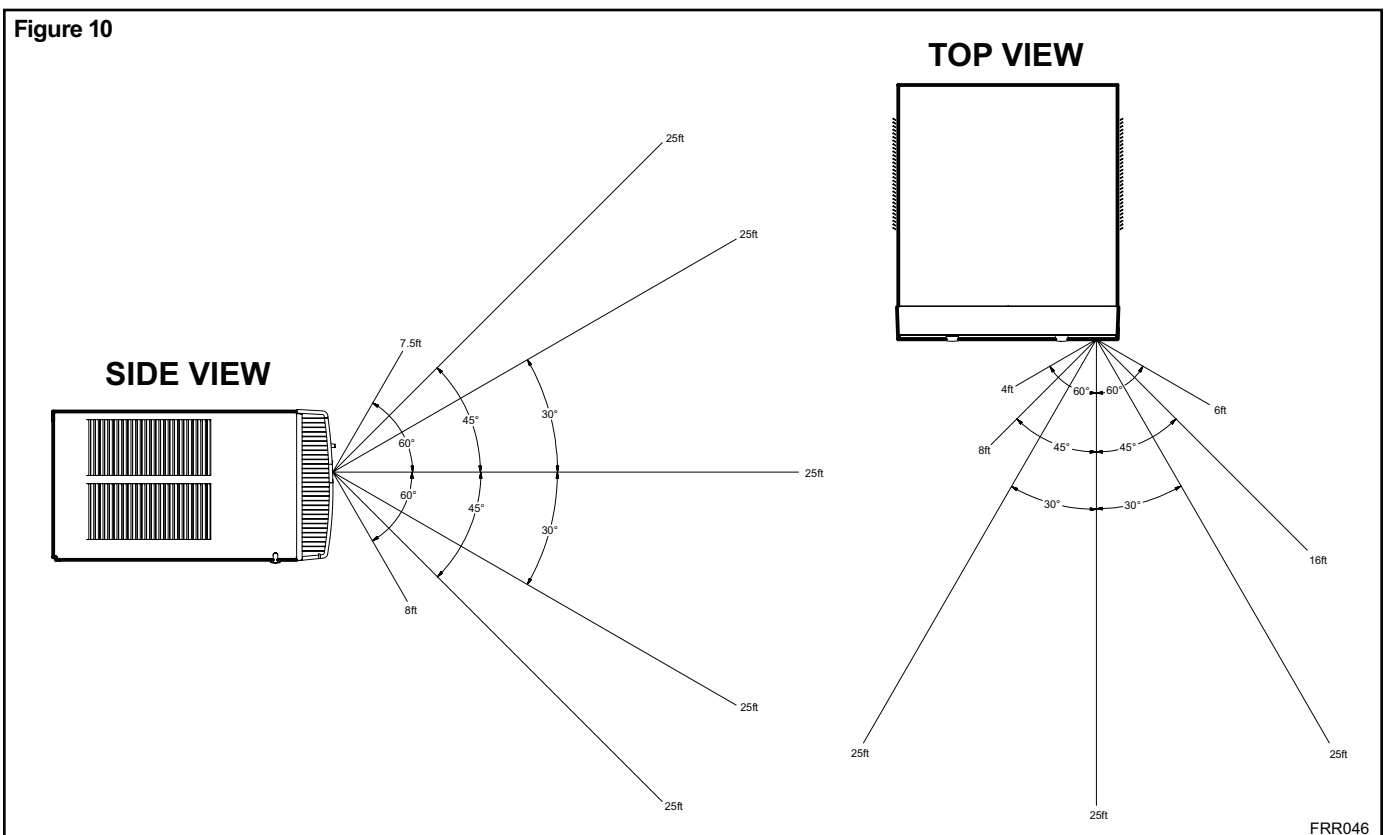
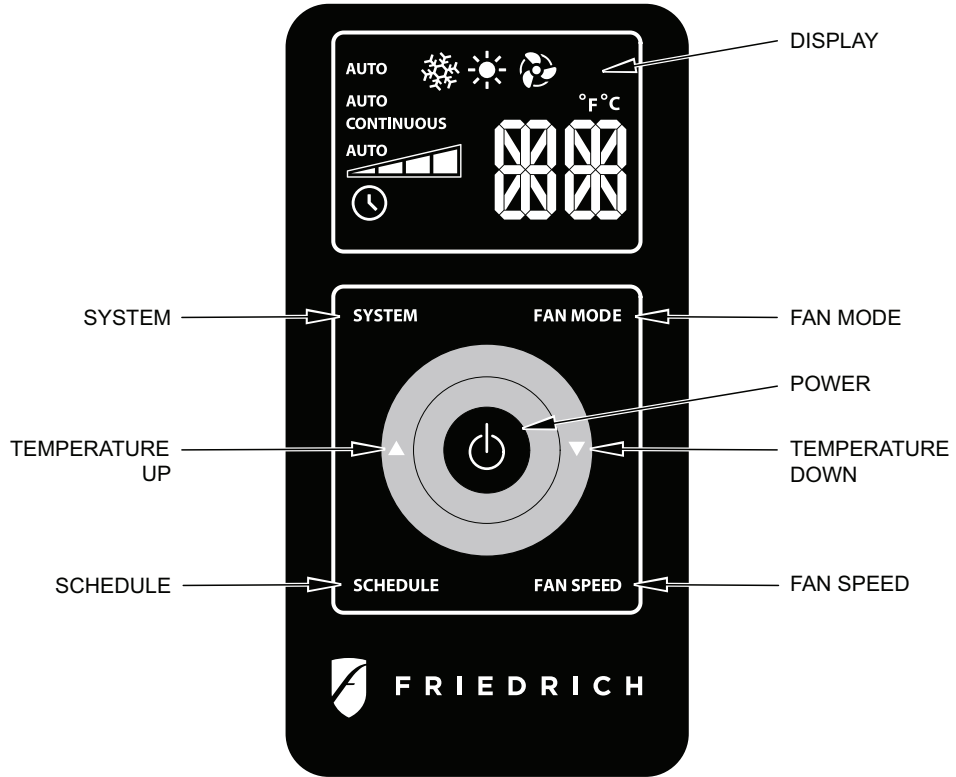
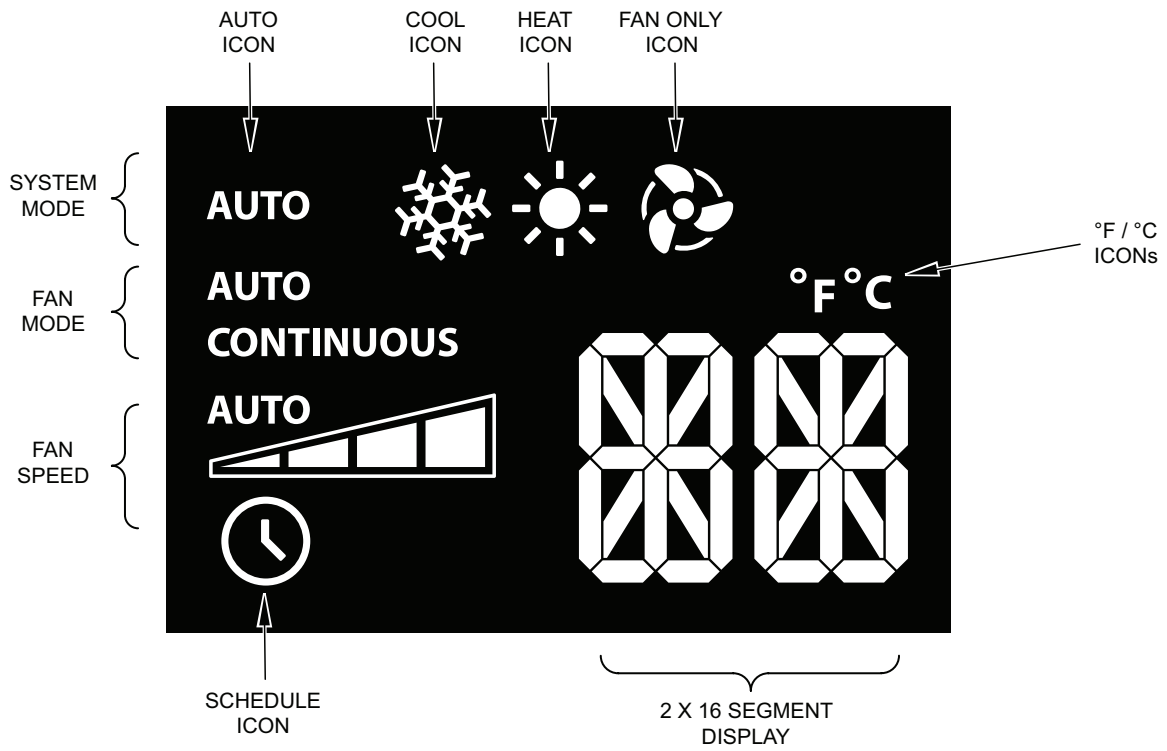


Figure 11



FRR005

Figure 12



FRR006

Airflow Selection and Adjustment


Air flow direction adjustment


The airflow path may be adjusted to distribute air independently from the left or right side of the discharge opening. Each of the banks of louvers can be directed left, right, up or down in order to achieve the most optimum airflow positioning.

To adjust airflow direction grab the lever in the center of the louver bank and move it in the direction that you would like the air to be directed. Please note that it is normal that airflow may be stronger out of one side of the louvers than the other.

Fresh air and exhaust control

Your air conditioner has the ability to bring fresh air into the room or exhaust stale air out of the room. The control slide is found on the upper part of the unit (See Figure 13).

TO BRING IN FRESH AIR – Move the lever to the **Fresh Air**  position which allows outside air to enter the room. This is useful in fall and spring as a means of bringing in fresh outside air when using FAN ONLY. It can also be used in the summer with the compressor in the Cooling Mode if you wish.

TO EXHAUST INDOOR AIR – Move the lever to the **Exhaust**  position. This will allow stale air to be expelled to the outside of the dwelling. This is especially handy in the spring or fall when indoor air tends to get stale, or after a social gathering involving smokers, or to remove cooking odors.


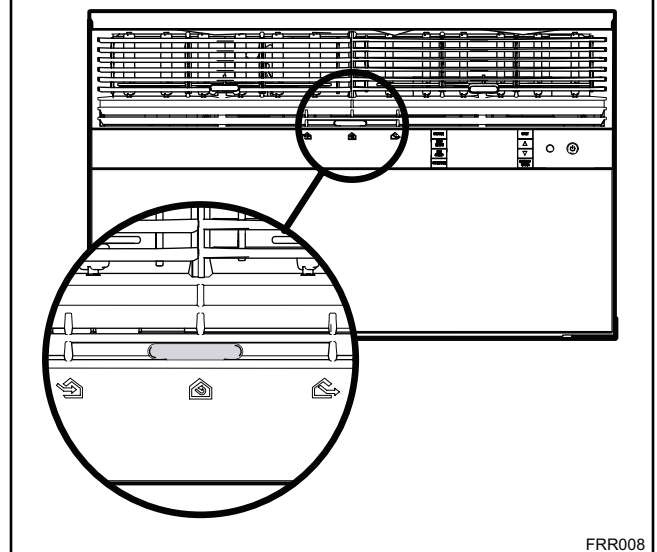
BEST PERFORMANCE – Move the lever to the **Re-Circulate Position** . This is the most efficient mode for cooling and heating.


Figure 13



Installation Instructions

READ THIS FIRST! Electrical Requirements

⚠ WARNING



Electrical Shock Hazard

Make sure your electrical receptacle has the same configuration as your air conditioner's plug. If different, consult a Licensed Electrician.

Do not use plug adapters.
Do not use an extension cord.
Do not remove ground prong.

Always plug into a grounded 3 prong outlet. Failure to follow these instructions can result in death, fire, or electrical shock.

IMPORTANT: Before you begin the actual installation of your air conditioner, check local electrical codes and the information below. Your air conditioner must be connected to a power source with the same alternating current (A.C.) voltage and amperage as marked on the name plate located on the chassis. Only A.C. can be used. Direct Current (D.C.) cannot be used.

CIRCUIT PROTECTION – Use on single outlet circuit only. An overloaded circuit will invariably cause malfunction or failure of an air conditioner, therefore, it is necessary that the electrical protection is adequate. Due to momentary high current demand when the air conditioner starts, use a "TIME DELAY" fuse or a HACR type circuit breaker. Consult your dealer or power company if in doubt.

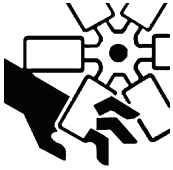
Refer to the electrical name plate located on the air conditioner chassis (See page 2) to determine the correct fuse or circuit breaker amperage for your model (See Table 1 on Page 6 for electrical receptacle types).

The power cord has a plug with a grounding prong and a matching receptacle is required.

The following instructions are for standard chassis model groups distinguished by the first two letters of the model designations and cabinet sizes listed in Table 3.

MODEL DESIGNATION	CABINET SIZE (H x W x D)
SMALL CHASSIS - SS, ES, YS	15 15/16" x 25 15/16" x 29" (405 mm x 660 mm x 737 mm)
MEDIUM CHASSIS - SM, EM, YM	17 15/16" x 25 15/16" x 29" (455 mm x 660 mm x 737 mm)
LARGE CHASSIS - SL, EL, YL	20 3/16" x 28" x 35 1/2" (513 mm x 711 mm x 851 mm)

⚠ WARNING




MOVING PARTS HAZARDS

* Do not operate unit out of sleeve or with front grille removed.

* Do not place hands in blower or fan blade areas.

Failure to do so can result in serious injury.

⚠ CAUTION



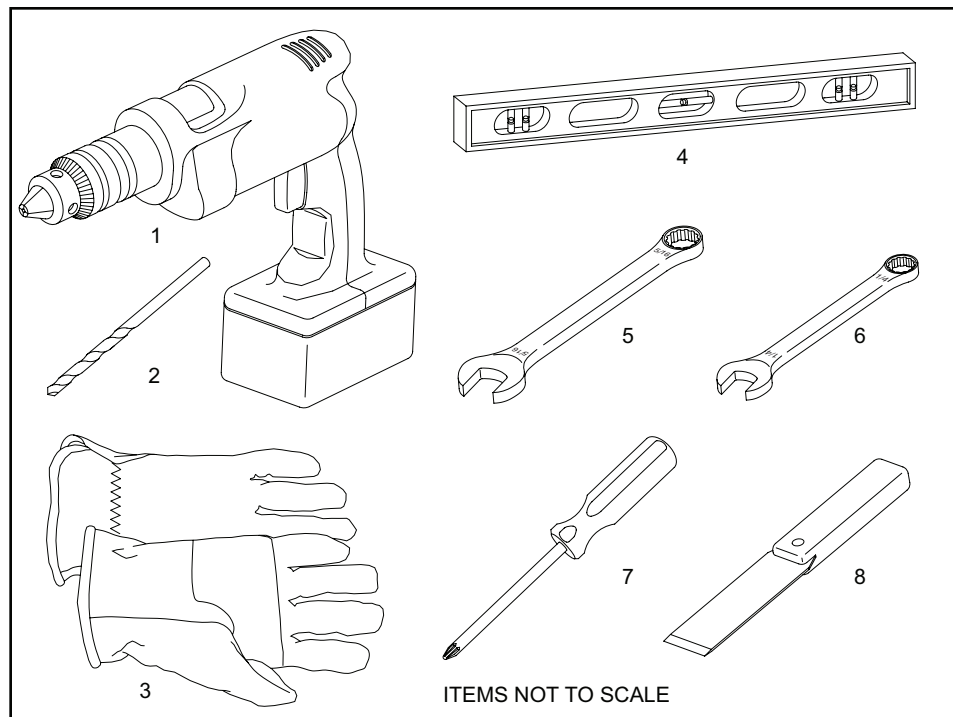
Excessive Weight Hazard

Use two or more people when installing your air conditioner.

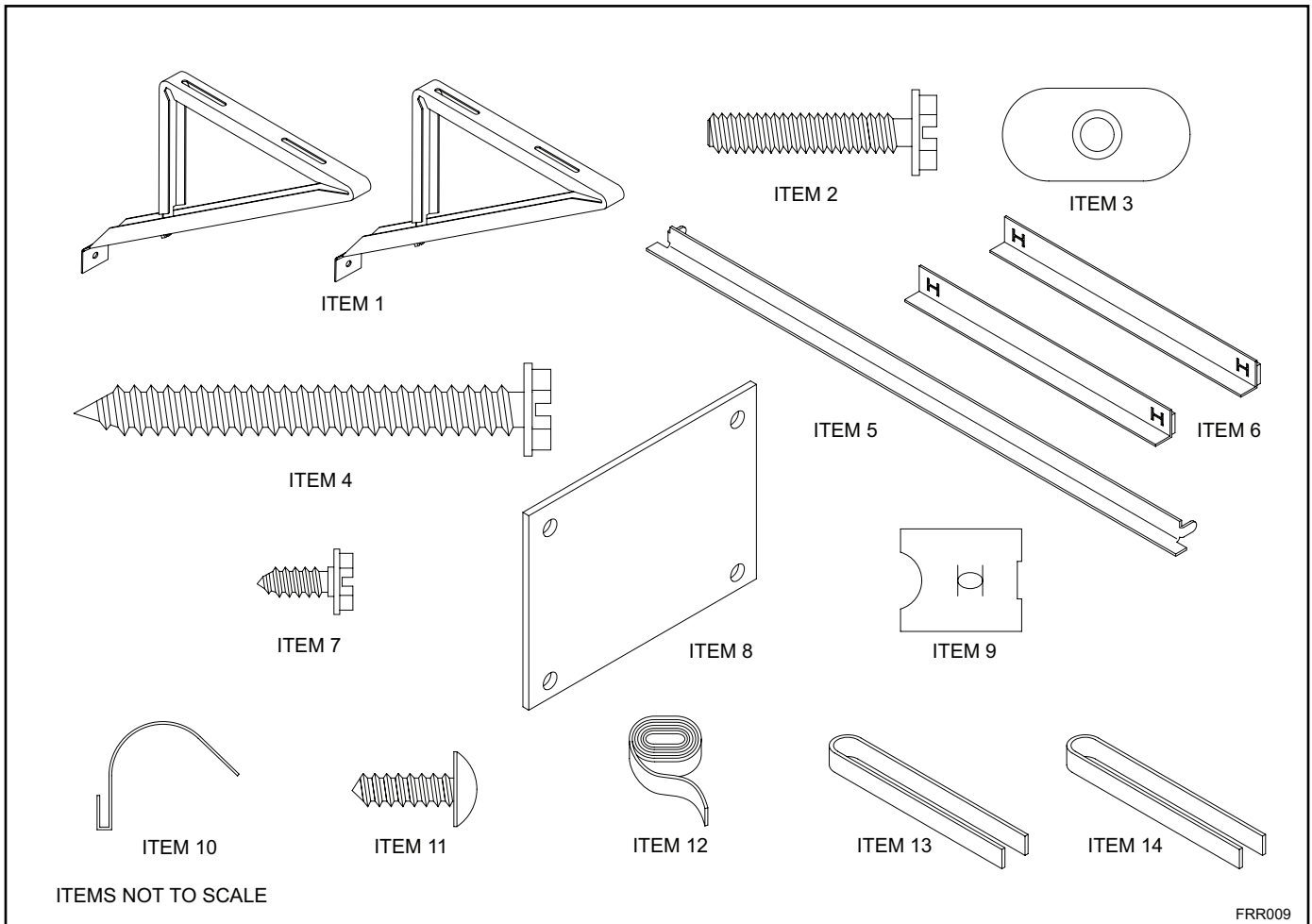
Failure to do so can result in back or other injury.

Recommended Tools

1. Power Drill
2. 5/32" Drill Bit
3. Gloves
4. Carpenters Level
5. 5/16" Wrench
6. 1/4" Wrench
7. #2 Phillips Screw Driver
8. Putty Knife or (wood stir stick)



INSTALLATION HARDWARE AND ACCESSORY DETAIL



Window Mount Installation Hardware

ITEM NO	DESCRIPTION	QTY.
WINGBOARD MOUNTING PARTS		
8	WINGBOARD (MASONITE)	1
9	"J" TYPE SPEED NUT	4
10	WINGBOARD CLIP (SPRING STEEL)	4
11	SCREW, #8 x 1/2" PHILLIPS TRUSS HD.	4
WINDOW SEALING		
12	SEALING GASKET (VINYL)	1
13	WINDOW SEAL GASKET (DARK FOAM)	1
14	CHASSIS SEAL GASKET (LIGHT FOAM)	1
SHELL MOUNTING PARTS		
1	SUPPORT BRACKET	2
2	SCREW, 10-24 x 1" HEX HEAD	4
3	10-24 FLAT WELD NUT	4
4	SCREW, SHEET METAL #12 x 2"	7
WINGBOARD ANGLE MOUNTING		
5	WINGBOARD ANGLE, TOP	1
6	WINGBOARD ANGLE, SIDE	2
7	SCREW, SHEET METAL #8 x 3/8"	2

Thru-the-wall Installation Hardware

ITEM NO	DESCRIPTION	QTY.
MOUNTING PARTS		
4	SCREW, SHEET METAL #12A x 2"	7
14	CHASSIS SEAL GASKET (LIGHT FOAM)	1

NOTE: Kühl + models do not come with window mounting components. When mounting a cooling and heating model a window installation kit must be purchased separately.

KWIKS – For all ES and YS models.

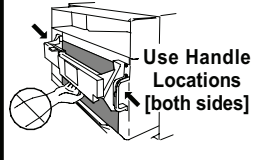
KWIKM – For all EM and YM models.

KWIKL – For all EL and YL models.

Standard Window Installation

NOTE: Hardware and accessories used during installation are shown on page 18. Each part will be referred as Item No.

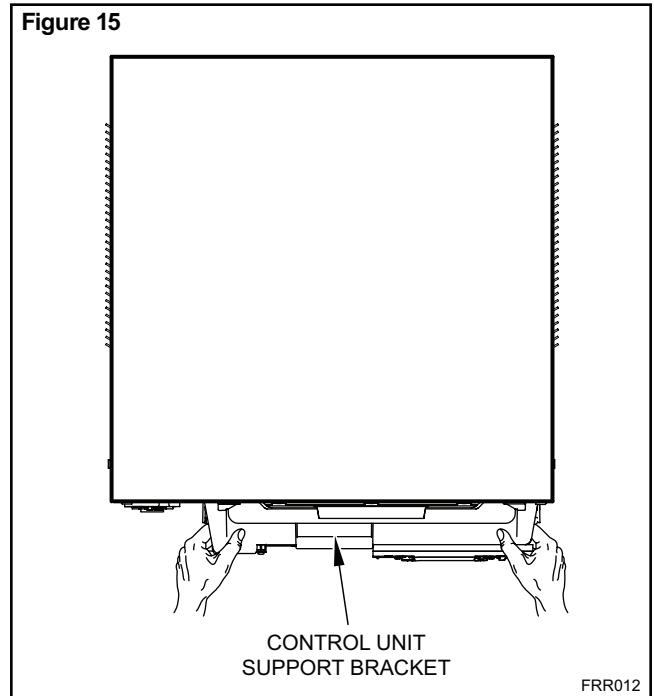
STEP 1. Remove the chassis Entrygard retainer by removing the far right screw (See Figure 14), save this screw to reattach the chassis retainer after installation (Step 12). Also, remove and discard the two retainer screws and washers located at the rear of the unit (See Figure 14).

CAUTION	
 <p>Use Handle Locations [both sides]</p>	<p>Handle Use Use handle on both sides to pull unit from sleeve. Do not push, pull or lift from center of support.</p>

STEP 2. Hold the cabinet stationary, then use the hand grips on both ends of the control unit support bracket to pull the chassis out of the cabinet (See Figure 15).

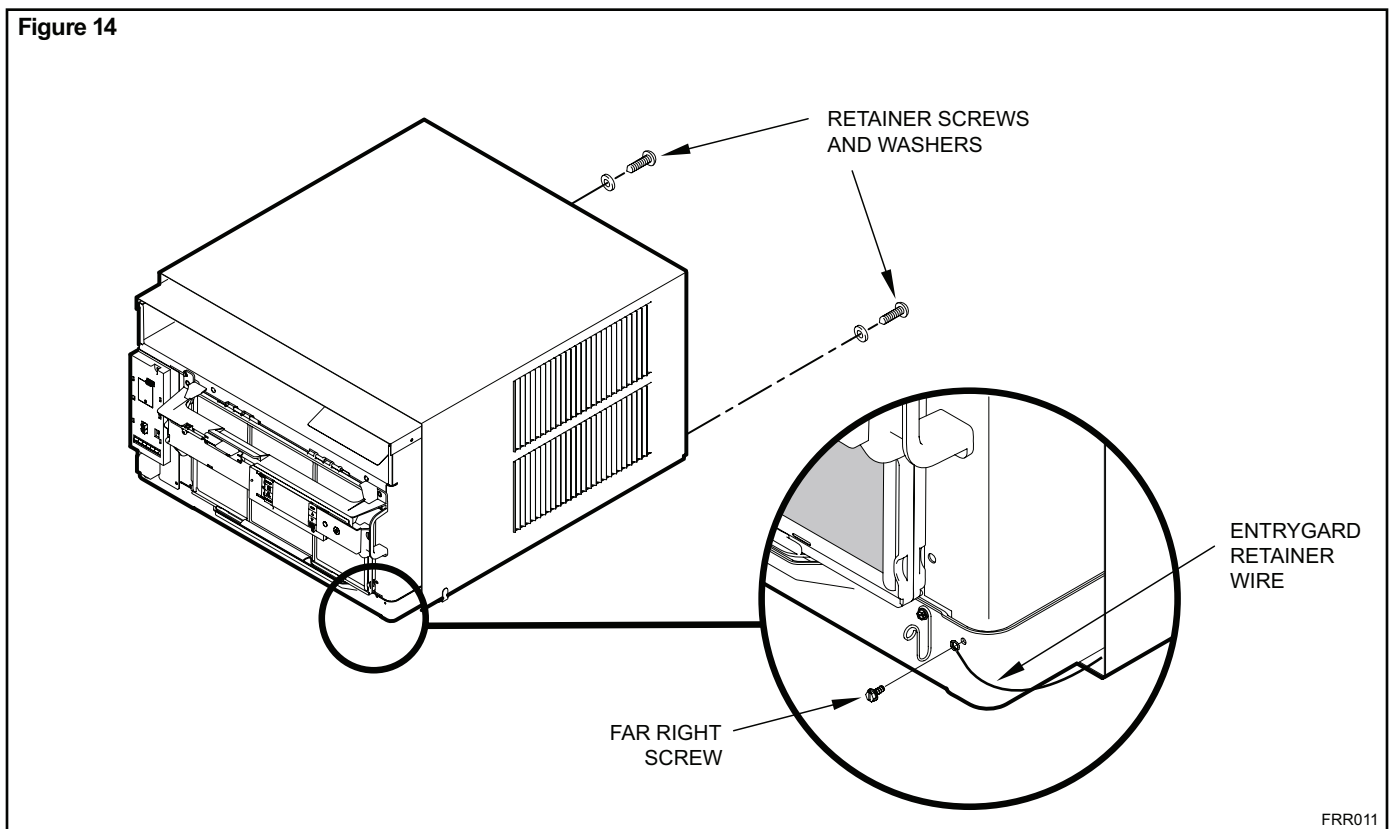
STEP 3. Remove the large white foam blocks used to restrain the compressor during shipment (See Figure 16). Inspect base pan for dislodged white foam blocks and remove. Do not remove any other foam parts.

Figure 15



STEP 4. Anchor the side angles (Item 6) by engaging the tabs of the lower sill plate (See Figure 17, Detail B-2) with the loops of the side angle. Engage the tabs of the top angle (Item 5) with the top loops of the side angle (See Figure 17, Detail B-1). Install two (2) screws (Item 7) to secure the top angle tabs and the side angle to the cabinet (See Figure 17, Detail B-1).

Figure 14



⚠ CAUTION



Remove Shipping Blocks

Prior to operating the unit remove the foam shipping blocks.

Failure to do so may result in damage to the unit which is not covered by the manufacturer's warranty!

- STEP 5.** Check the window sill and frame to be sure they are in good condition and firmly anchored to the wall. Repair if necessary.
- STEP 6. CABINET MOUNTING** – Raise the lower window 1/4" more than the height of the cabinet. Carefully slide the cabinet through the opening until the lower sill plate channel rests behind the window sill and the top angle rests against the window (See Figure 18). Center the cabinet within the opening. Drill three (3) 5/32" diameter pilot holes into window sill using the holes in the cabinet sill plate as a guide. Install three (3) #12 x 2" long screws (Item 4) (See Figure 18).
- STEP 7. OUTSIDE SUPPORT MOUNTING** – Refer to Figures 19 and 20. Assemble the support brackets (Item 1) to the bottom of the cabinet with four (4) 10-24 1" long screws (Item 2) and four 10-24 flat nuts (Item 3). Adjust the support brackets, using a combination of the elongated holes of the bracket and different hole locations in the cabinet, to bring the bottom support bracket pads in contact with the wall. A 1" x 4" or 2" x 4" SPACER SHOULD BE USED BETWEEN THE WALL AND SUPPORT THE BRACKETS WHEN INSTALLED ON ALUMINUM OR VINYL SIDING. Drill 5/32" diameter pilot holes and secure the brackets to the wall with two (2) 12A x 2" long screws (Item 4).

NOTE: DO NOT LEVEL the cabinet from front to back. Make sure there is approximately 3/8" to 1/2" slope (1/8 to 1/4 bubble on level) toward the outside of the house.

Adjust the support brackets to provide an inside-to-outside slope for excess condensation drainage (Refer to Standard Window Installation, Figures 19 through 23). Tighten all screws.

Alternate support method A: If you have a wide window sill which prevents you from mounting the brackets as shown in Figure 22, try the following: Using the elongated holes and different hole locations in the cabinet, set the placement of the bracket to support the unit's weight (Figure 22). Tighten all screws.

Alternate support method B: If the window ledge gap is narrow, try the following. Bend the bracket end tab flat. Cut the bracket in two (2) places as shown in Figure 23. Bend the short piece so it will be vertical when installed. Adjust the placement as required. Tighten all screws.

STEP 8. Measure and cut the wingboard panels (fit with about 1/8" clearance) from the supplied Masonite (Item 8) to fit the space between the window side channels and cabinet. (Figure 24). Make sure you include the depth of the window channel.

NOTICE

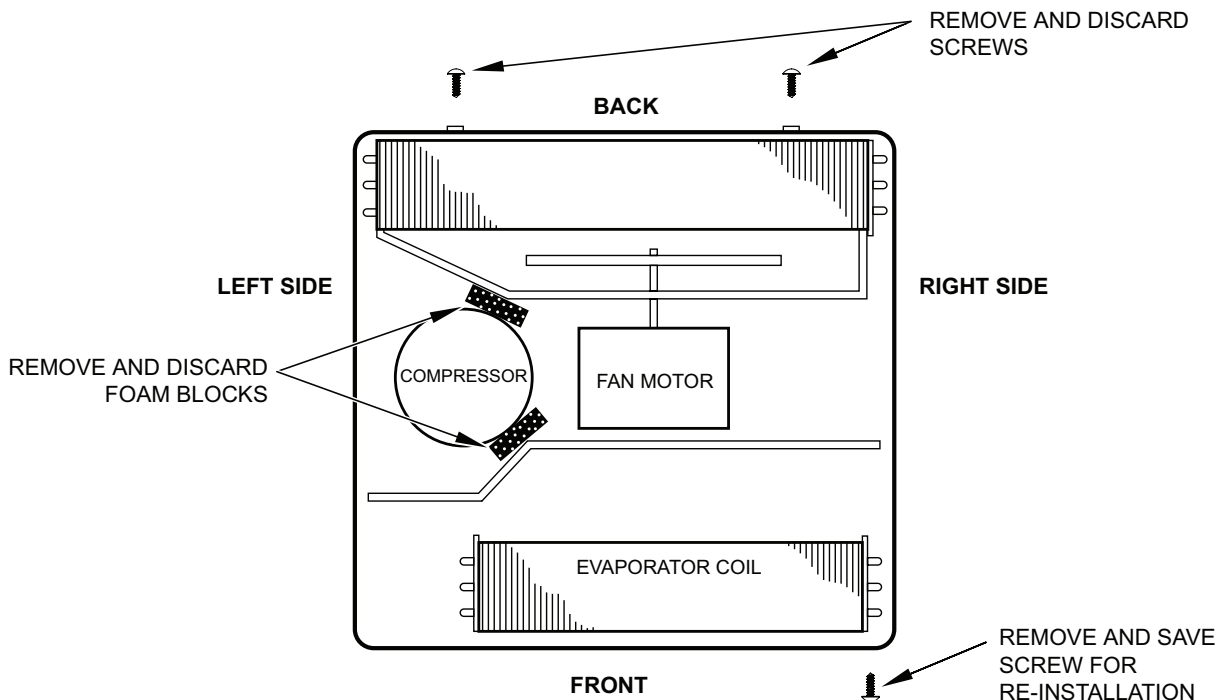


For YOUR security and safety, YOU must provide a means of preventing the upper part of the window from opening.

STEP 9. To assemble the wingboard panels, push on the "J" type speed nuts (Item 9) and spring steel clips (Item 10) (See Figures 25) on page 26. Secure each panel with two (2) screws (Item 11).

Figure 16

TOP VIEW OF UNIT



FRR045

Figure 17

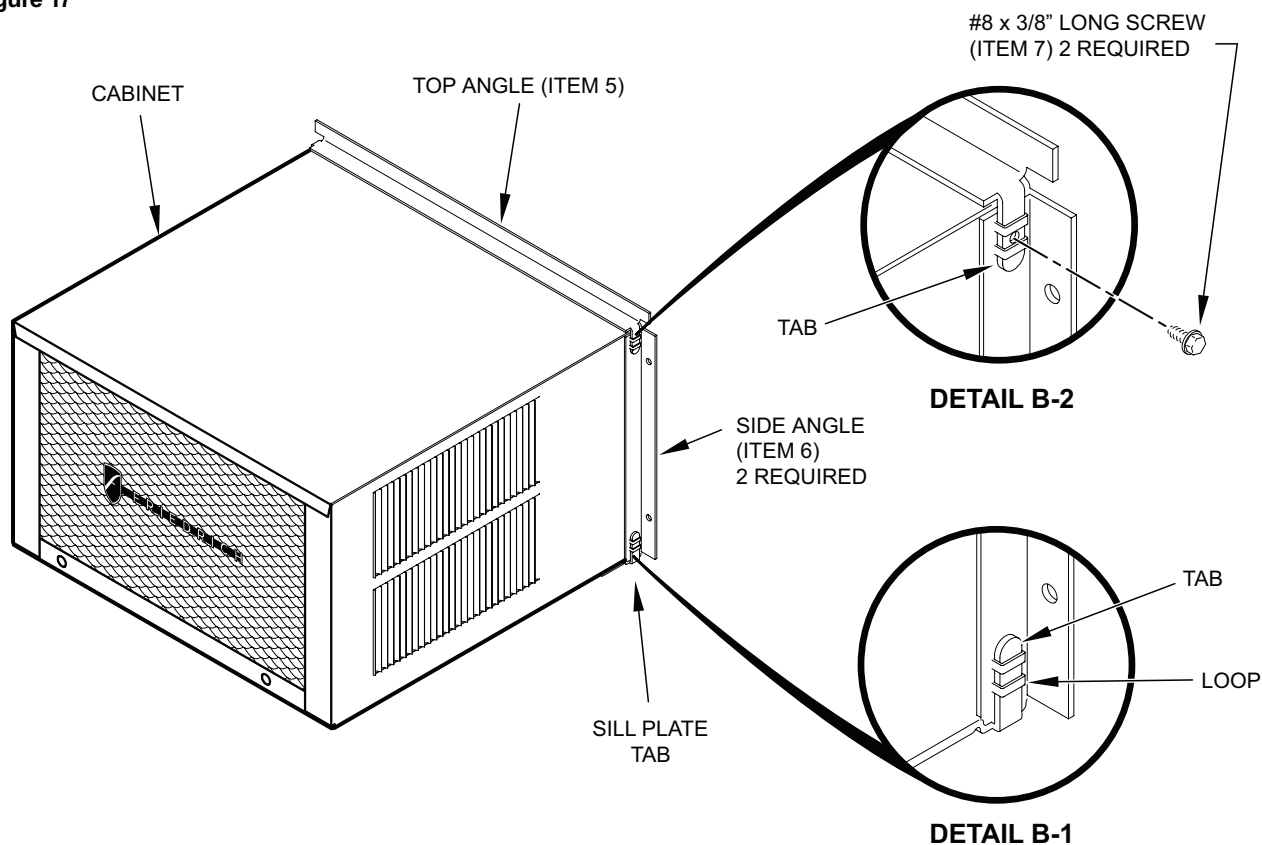
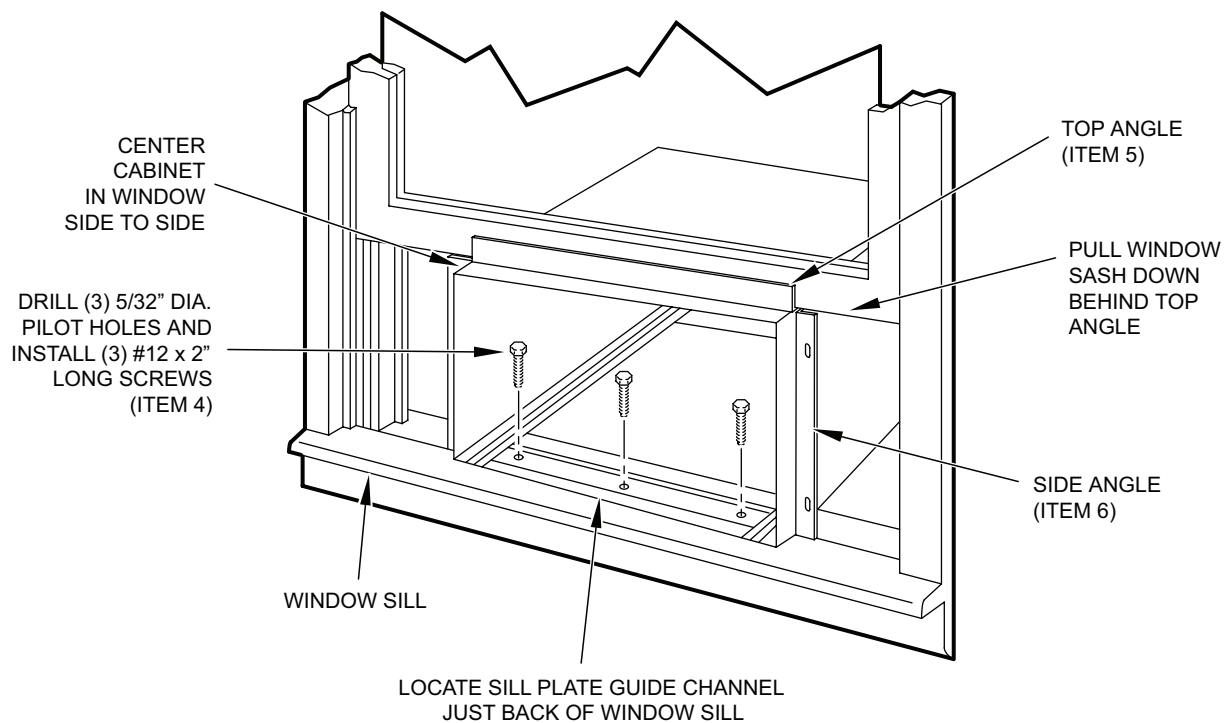
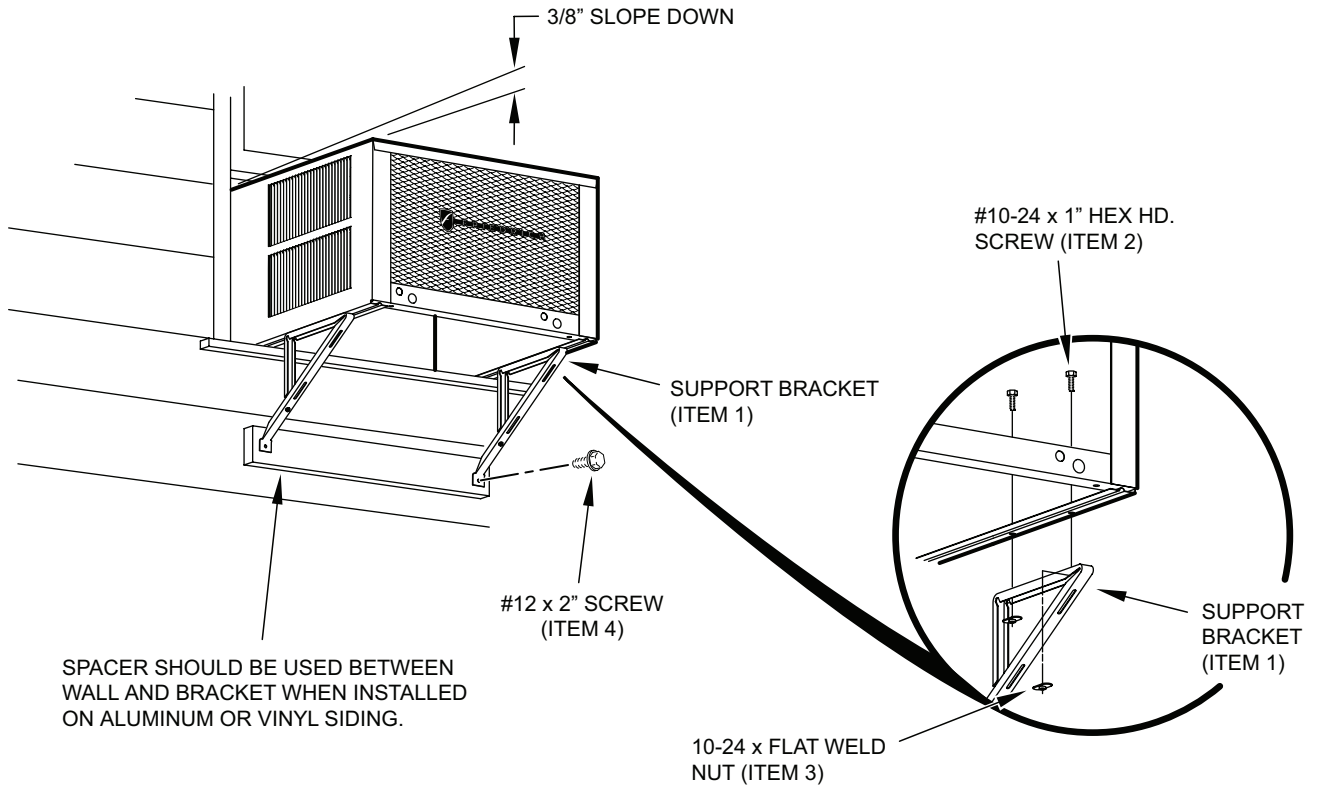


Figure 18



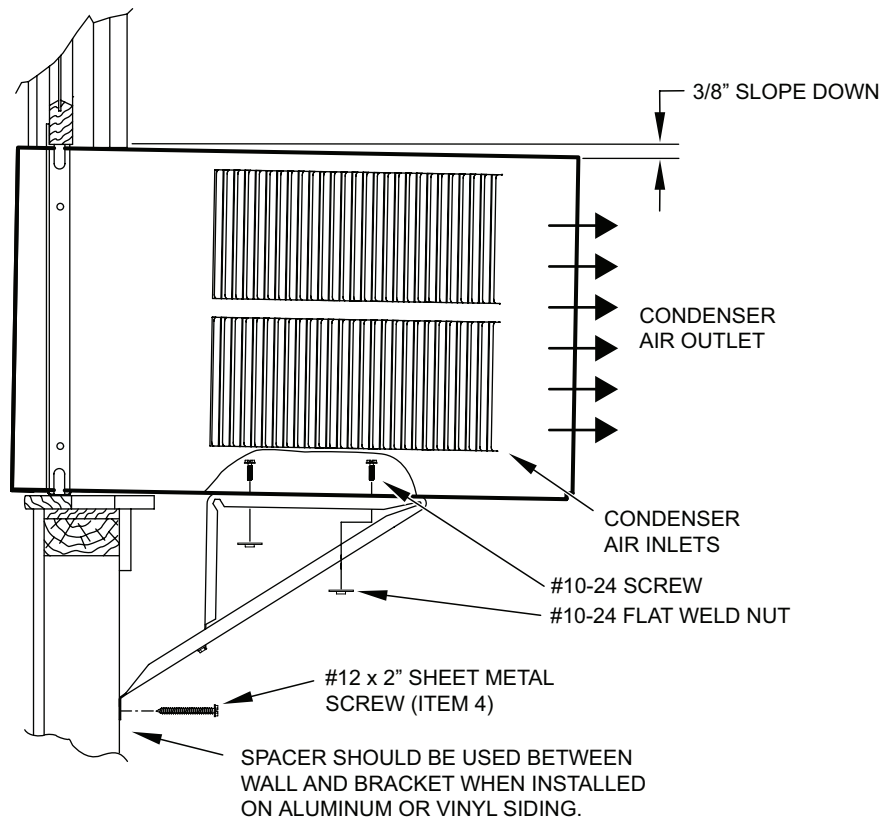
FRR014

Figure 19



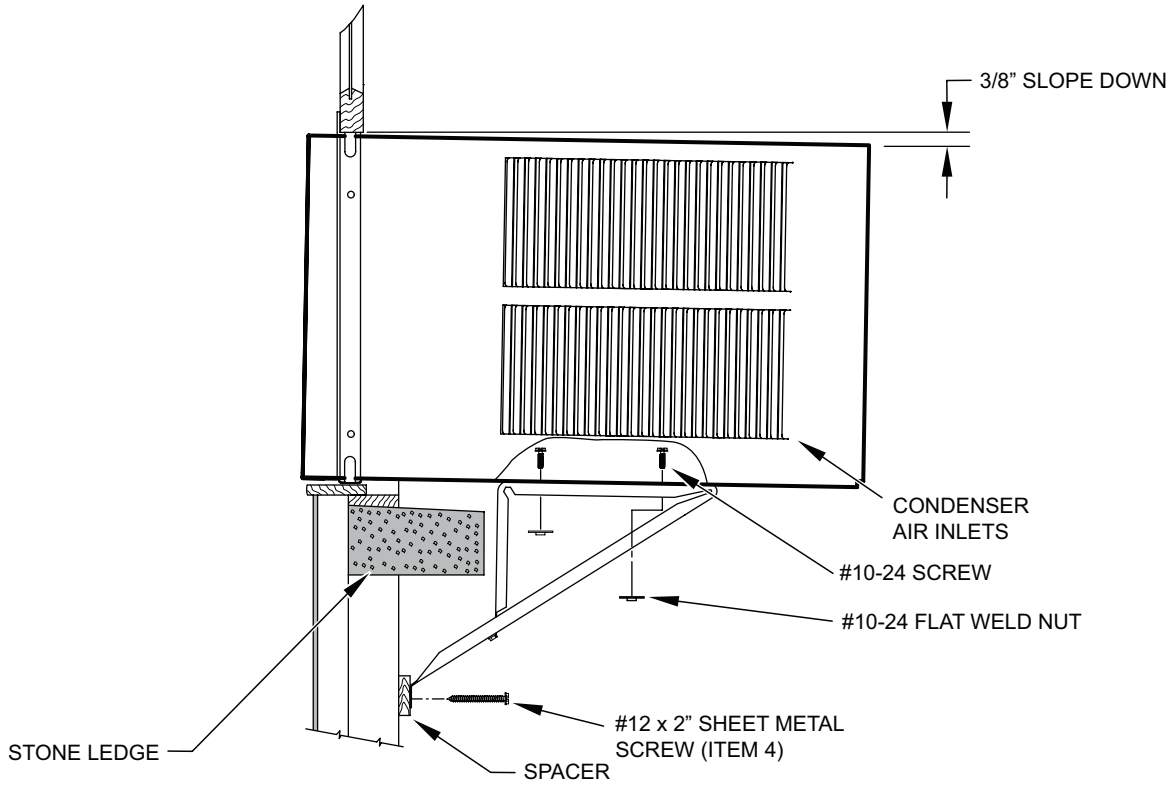
FRR015

Figure 20



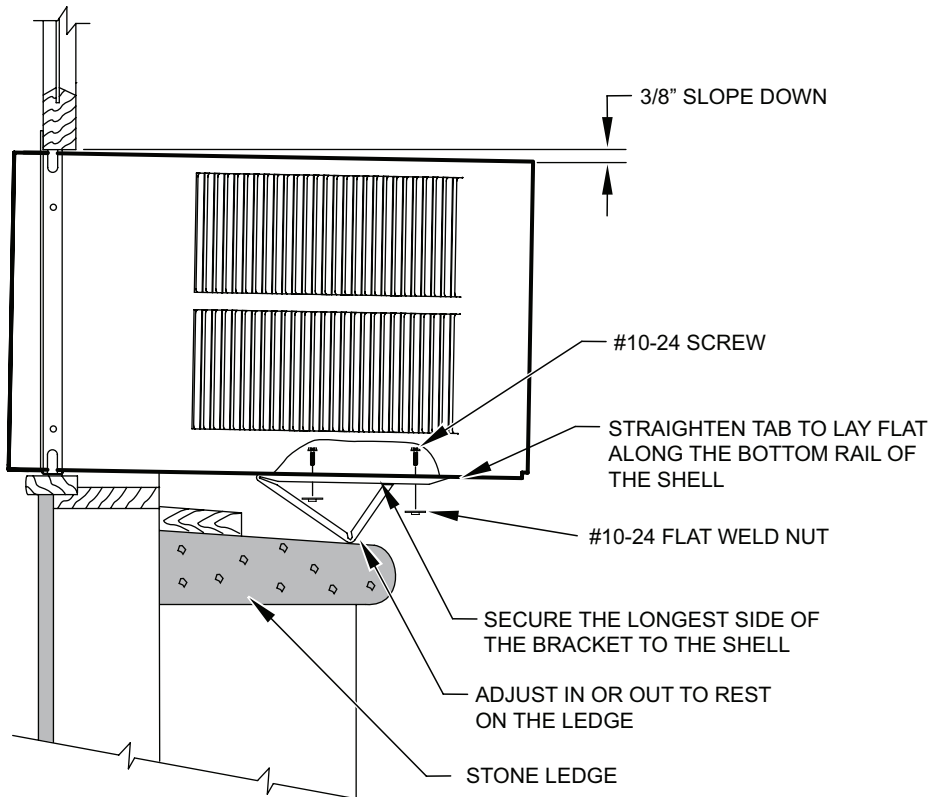
FRR016

Figure 21



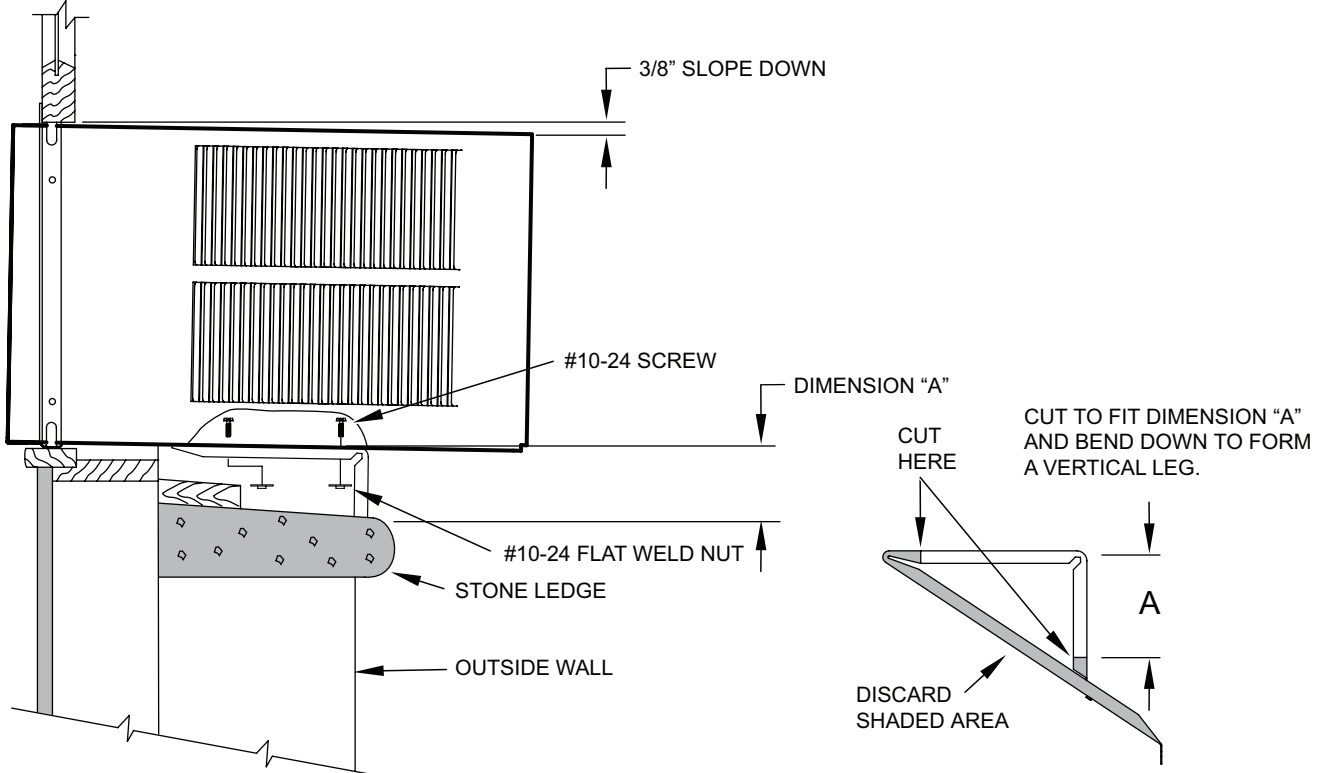
FRR017

Figure 22



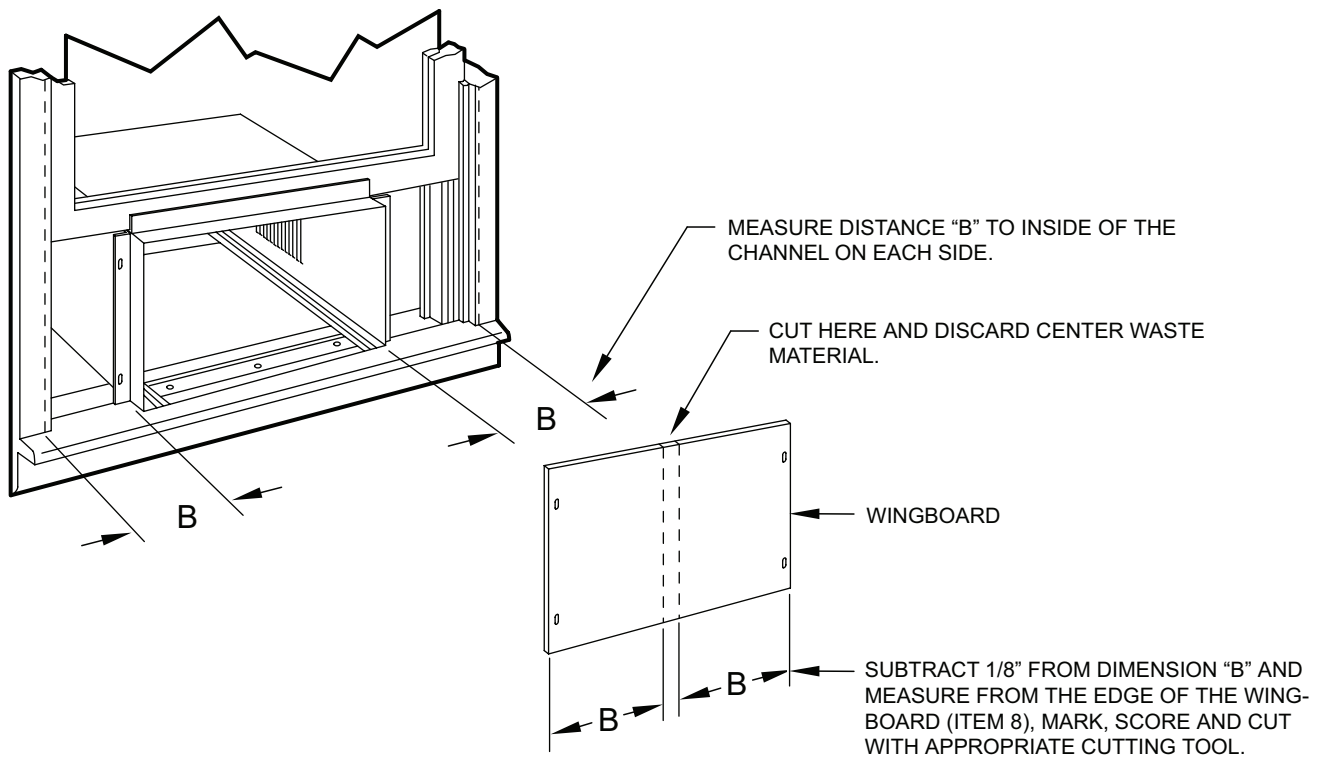
FRR018

Figure 23




FRR019


Figure 24



FRR020

STEP 10. INSTALL THE WINDOW SEALING GASKETS – Measure and cut the vinyl window seal gasket (grey color, Item 12) to fit the width of the window, and install as shown in Figure 29. Pull the window sash down behind the gasket. Measure and cut the dark foam window seal gasket (Item 13) and install it between the upper glass panel and the top part of the lower window sash (Figure 29).

⚠ CAUTION	
	<p>Excessive Weight Hazard Use two or more people when installing your air conditioner.</p> <p>Failure to do so can result in back or other injury.</p>

⚠ CAUTION	
	<p>Cut/Sever Although great care has been taken to minimize sharp edges in the construction of your unit, use gloves or other hand protection when handling unit</p> <p>Failure to do so can result in minor to moderate personal injury.</p>

STEP 11. Carefully team lift the chassis and set it into the cabinet. Slide the chassis stopping approximately 3" from full insertion. Insert the chassis seal gasket (Item 14) one inch deep between the chassis and the cabinet (See Figure 29) as shown on page 28. A paint stir stick or ruler might be helpful here. Begin inserting the gasket at either bottom corner and go up the side, across the top, and down the opposite side. Then push the chassis all the way into the cabinet.

NOTE: If the chassis seal gasket is not installed or installed improperly, the operation of the unit will be negatively affected. Operational noise and outside noise will also be amplified.

STEP 12. Reattach the entry guard chassis entry guard retainer wire with the same screw retained in Step 1 (See Figure 14).

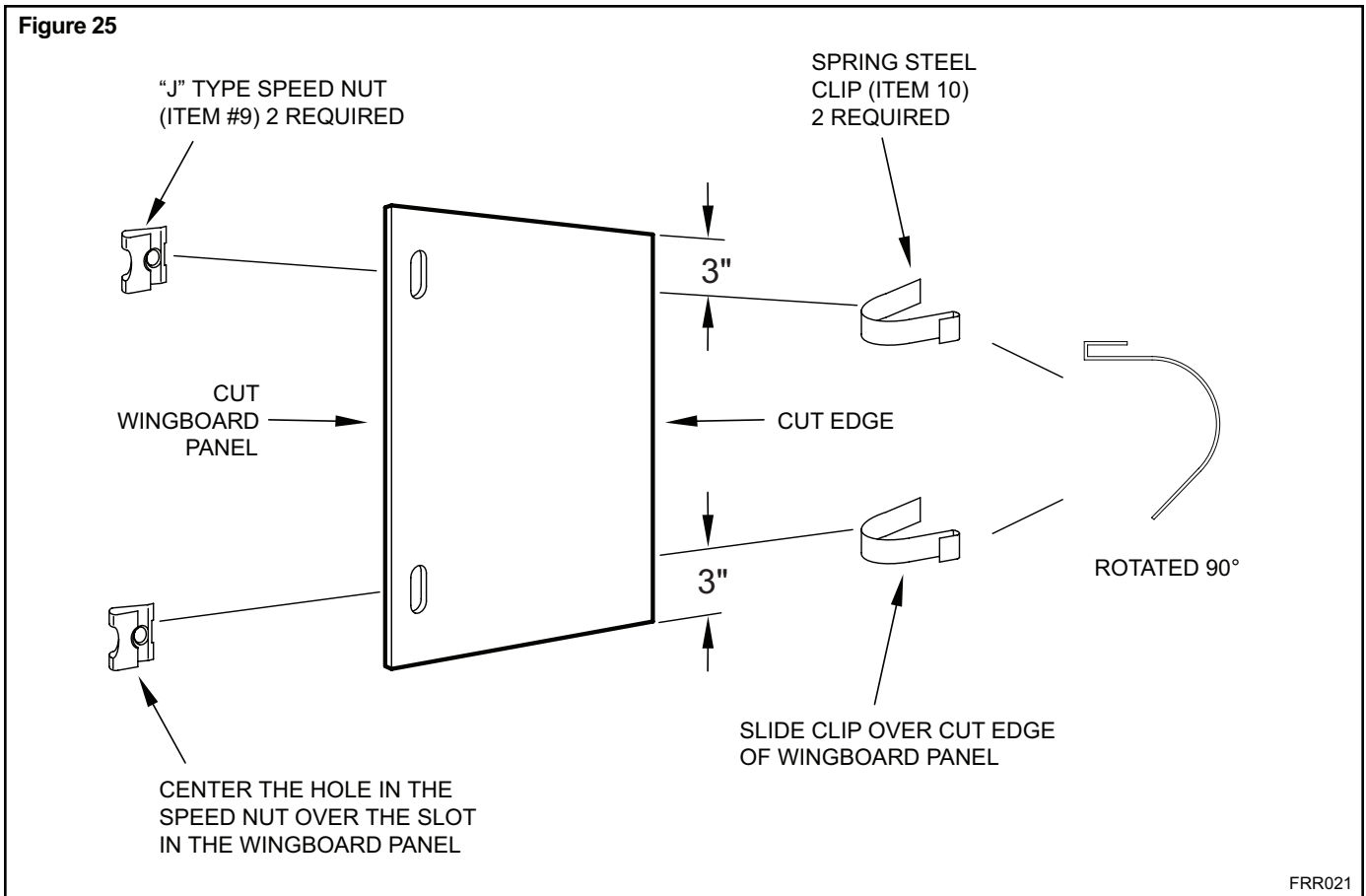


Figure 26

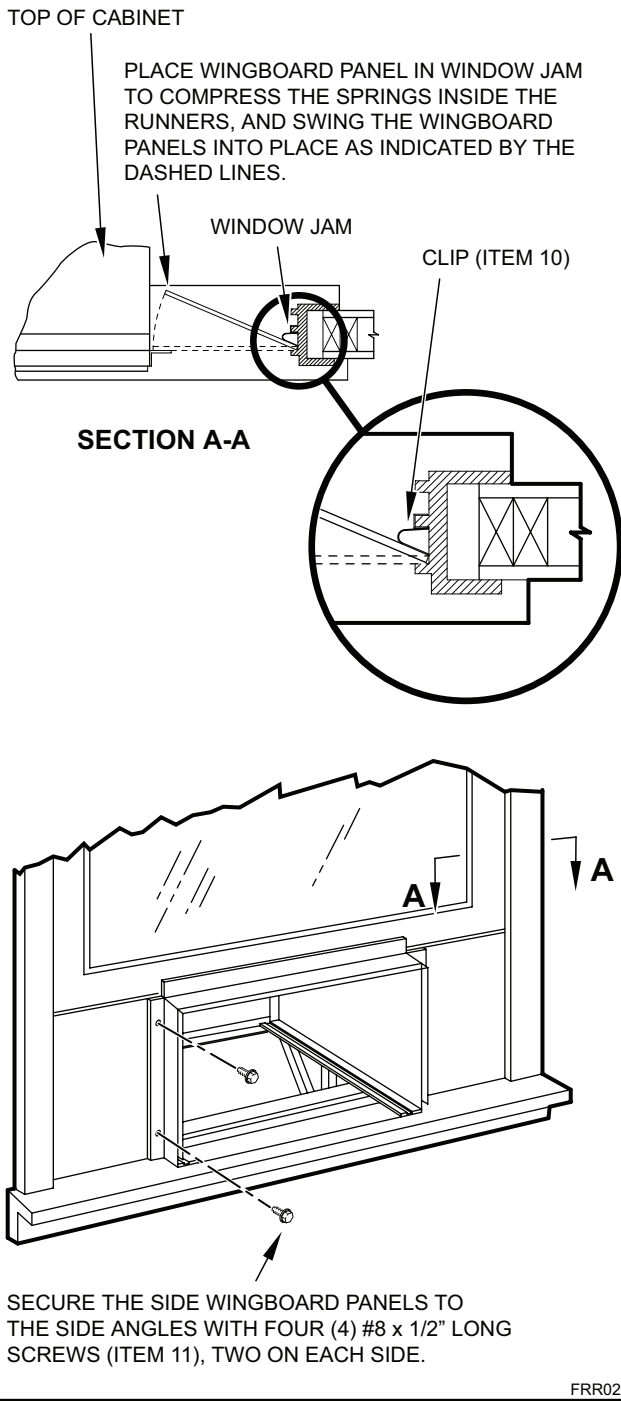
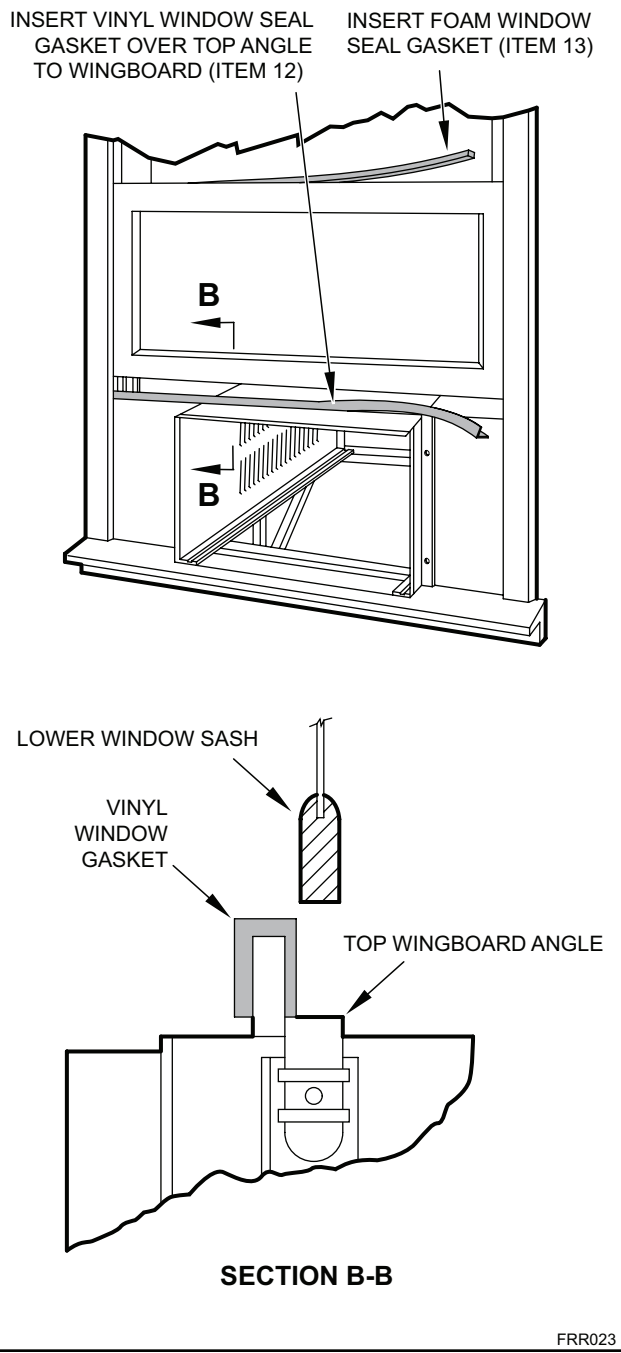


Figure 27



OPTIONAL: The factory assembles the supply cord so that it exits the left side of the unit at the bottom. At the consumer's discretion, the supply cord can be routed to exit the right side of the unit. To do this, route the supply cord to the right side. Pull the supply cord taut through the loops (Refer to Cord Routing Change, Figure 30) and route the cord down.

STEP 13. To attach and prevent damage to the front grille align the cord notch over the cord and center the fresh air lever, then align and tighten the four (4) captive screws as indicated by the arrows in Figure 28. Before closing the front panel, be sure the filter is in place. Make sure curtains do not block the side air intakes.

STEP 14. Refer to the Control Panel Operation section for instructions.

STEP 15. You are now ready to control the comfort level of the room.

Use Tool Provided

Please use the provided tool to attach the decorative front to the chassis.

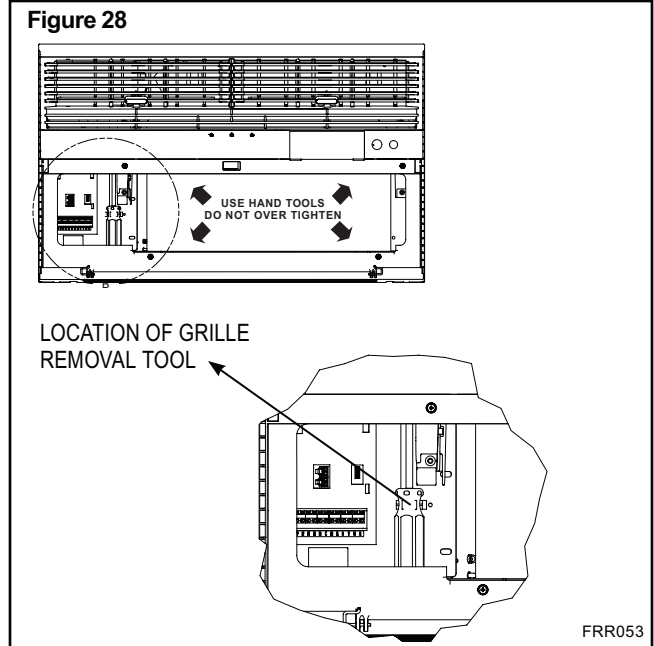
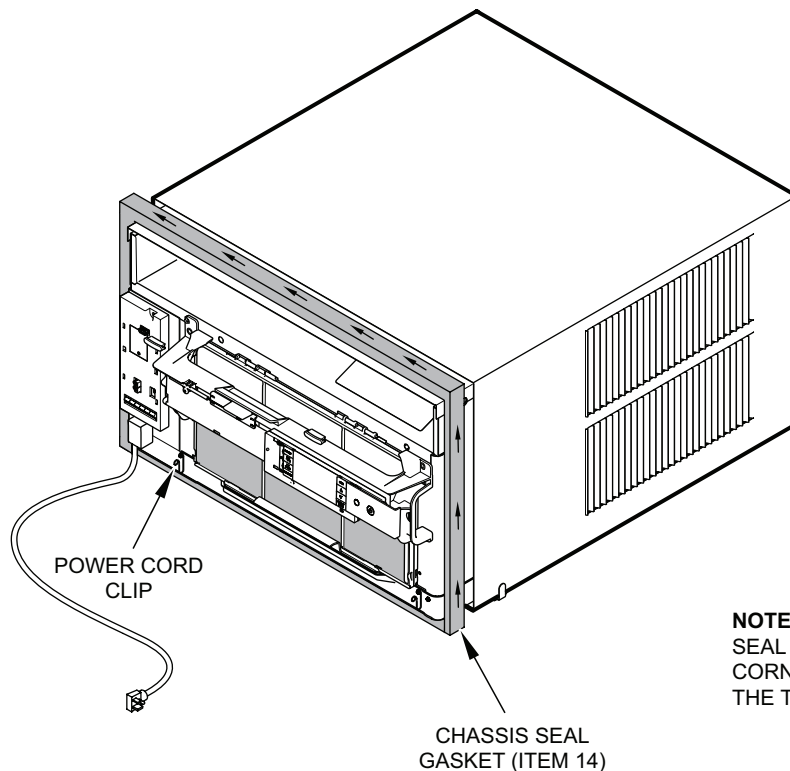


Figure 29



NOTE: WHEN INSTALLING THE CHASSIS SEAL GASKET; BEGIN AT EITHER BOTTOM CORNER AND GO UP THE SIDE & ACROSS THE TOP & DOWN THE OPPOSITE SIDE.

FRR024

THIS PAGE INTENTIONALLY LEFT BLANK

Cord Routing Change

Unplug unit.

⚠ WARNING



Electrical Shock Hazard

Make sure your electrical receptacle has the same configuration as your air conditioner's plug. If different, consult a Licensed Electrician.

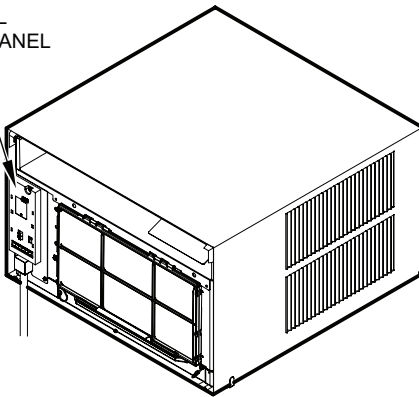
Do not use plug adapters.
Do not use an extension cord.
Do not remove ground prong.

Always plug into a grounded 3 prong outlet.
Failure to follow these instructions can result in death, fire, or electrical shock.

For convenience and optimum appearance the direction that the power cord exits the unit may be changed from left to right by following the procedure below. Select the exit location on the left or right based on proximity to the power outlet.

Figure 30

ELECTRICAL CONTROL PANEL



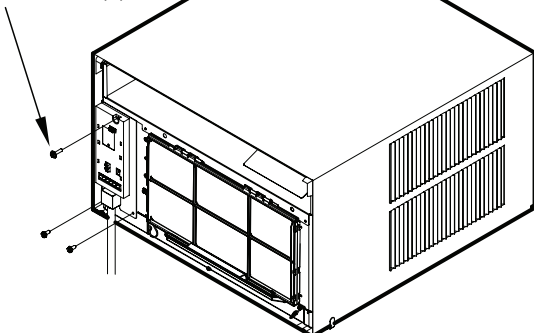
NOTE:
DECORATIVE FRONT REMOVED USE TOOL PROVIDED.
(SEE FIGURE 28 FOR LOCATION OF TOOL).

FRR054

Remove 3 screws as shown from the electrical control panel. Save to reinstall later.

Figure 31

ELECTRICAL CONTROL PANEL SCREWS (3)

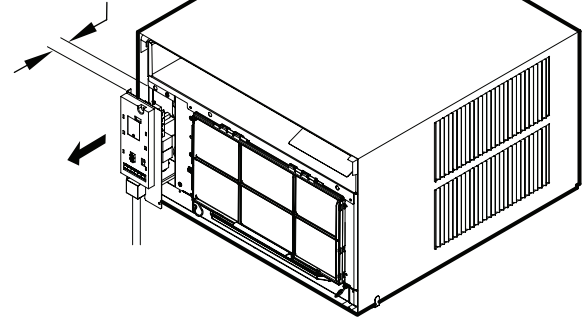


FRR055

STEP 16. Carefully pull out electrical control panel 1", but not all the way.

Figure 32

1 INCH



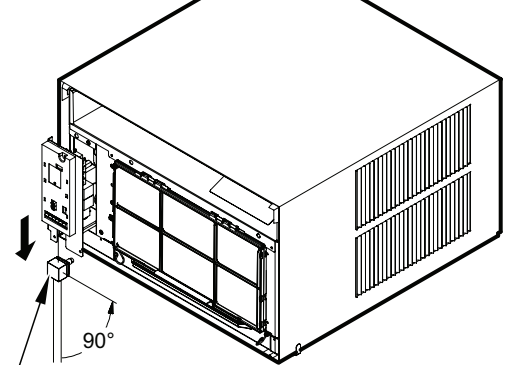
FRR056

STEP 17. Pull electrical cord strain relief downward until free and rotate 90 degrees to the right.

Figure 33

ELECTRICAL CORD STRAIN RELIEF

90°

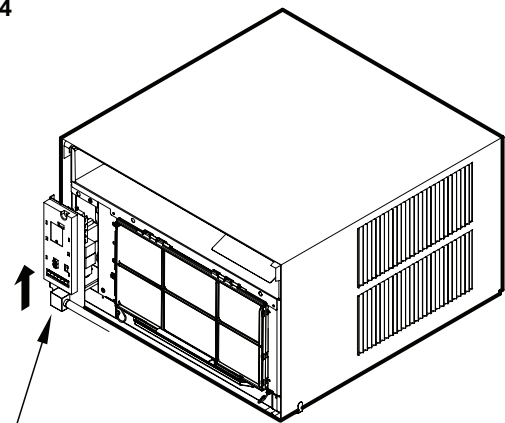


FRR057

STEP 18. Push electrical cord strain relief back upward into the electrical control panel.

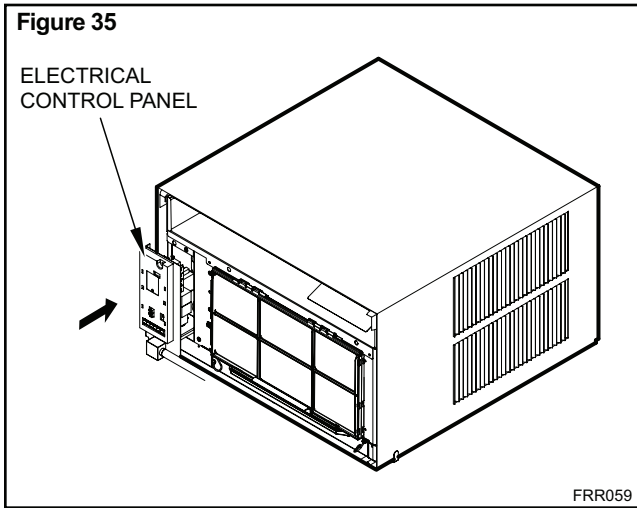
Figure 34

ENSURE THE ELECTRICAL CORD STRAIN RELIEF IS FLUSH WITH THE TOP OF ELECTRICAL CONTROL PANEL

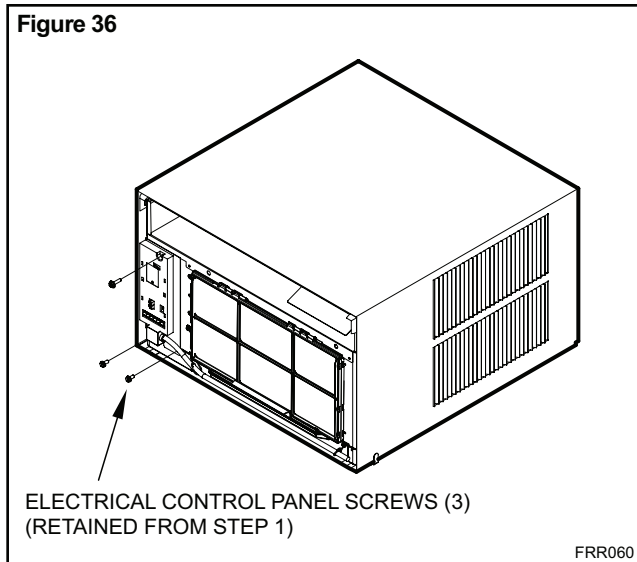


FRR058

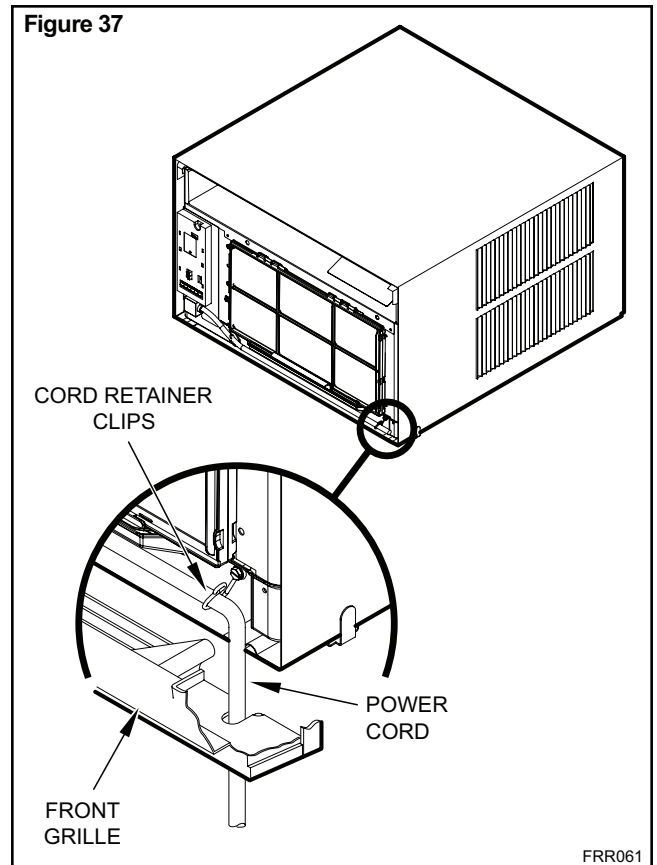
STEP 19. Carefully push electrical control panel back into chassis.



STEP 20. Reinstall the 3 screws removed earlier to secure electrical control panel.



STEP 21. If running power cord to the right of the unit install the cord into the cord retainer clips along the bottom front of the unit.

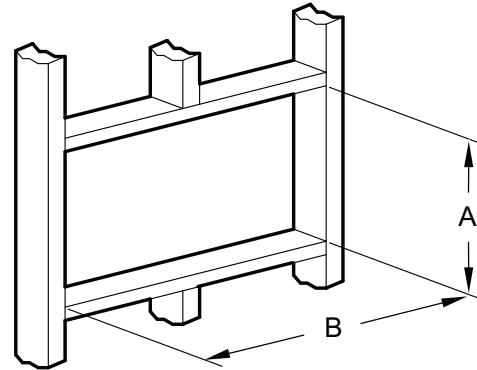


Through-the-Wall Installation

The following instructions apply to wood, masonry, brick, concrete or cinder block wall construction.

STEP 1. Follow steps 1, 2, 3, and 4 of the "STANDARD WINDOW INSTALLATION" instructions beginning on page 20.

STEP 2. CABINET PREPARATION – Remove the sill plate from the cabinet by removing two (4) nuts and screws (Figure 38). Note that the chassis retainer is secured by a right side nut and screw (Detail A, Figure 38). Bend the tabs of the sill plate down into its channel at both ends of the plate or cut them off (Detail B, Figure 38) Rotate the sill plate 180° (end-to-end, Detail B, Figure 38) and reinstall. Reverse the orientation of the nuts and screws, so that the head of the screws are on the underside of cabinet facing up and the nuts are on top (Detail C, Figure 38). Ensure that the chassis retainer is reinstalled as shown in the detail.



NOTICE

The outside cabinet condenser air intake louvers **MUST NOT BE BLOCKED** by extra thick walls.

FINISHED DIMENSION	SMALL CHASSIS	MEDIUM CHASSIS	LARGE CHASSIS
A	16 ³ / ₁₆ "	18 ³ / ₁₆ "	20 ³ / ₈ "
B	26 ³ / ₁₆ "	26 ³ / ₁₆ "	28 ¹ / ₄ "

Note: These dimensions are for finished opening size.

STEP 3. WALL PREPARATION – The maximum wall thickness permissible without special construction is determined by the model size to be installed. Observe the maximum wall thickness shown in Figure 39. Walls exceeding the maximum thickness shown in the chart, should be altered as shown in Figure 39.

STEP 4. CHECKING WIRING AND PLUMBING – Check for wiring and plumbing inside and outside of the wall to be sure none will be damaged when the cabinet framework is being constructed.

STEP 5. OPENING CONSTRUCTION – Depending upon size of unit to be installed, lay out the hole dimensions per Table 4. Cut and frame-in the opening to finished dimensions. If the wall construction is typical frame or 2" x 4" studding with brick or stone veneers, locate the opening next to one of the studs. For masonry, concrete or cinder block walls, locate opening for your convenience (See Figures 40, 41, and 42).

Figure 38

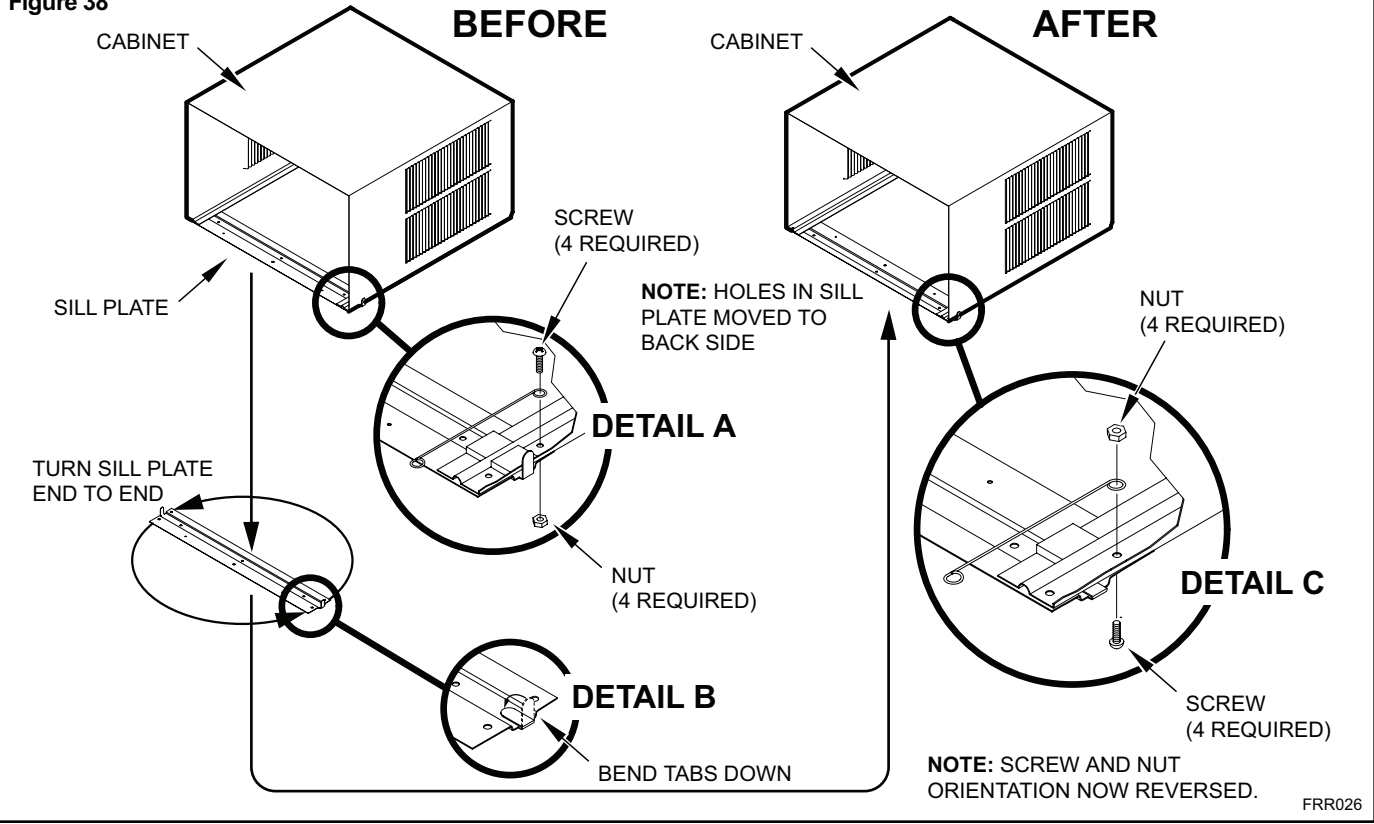


Figure 39

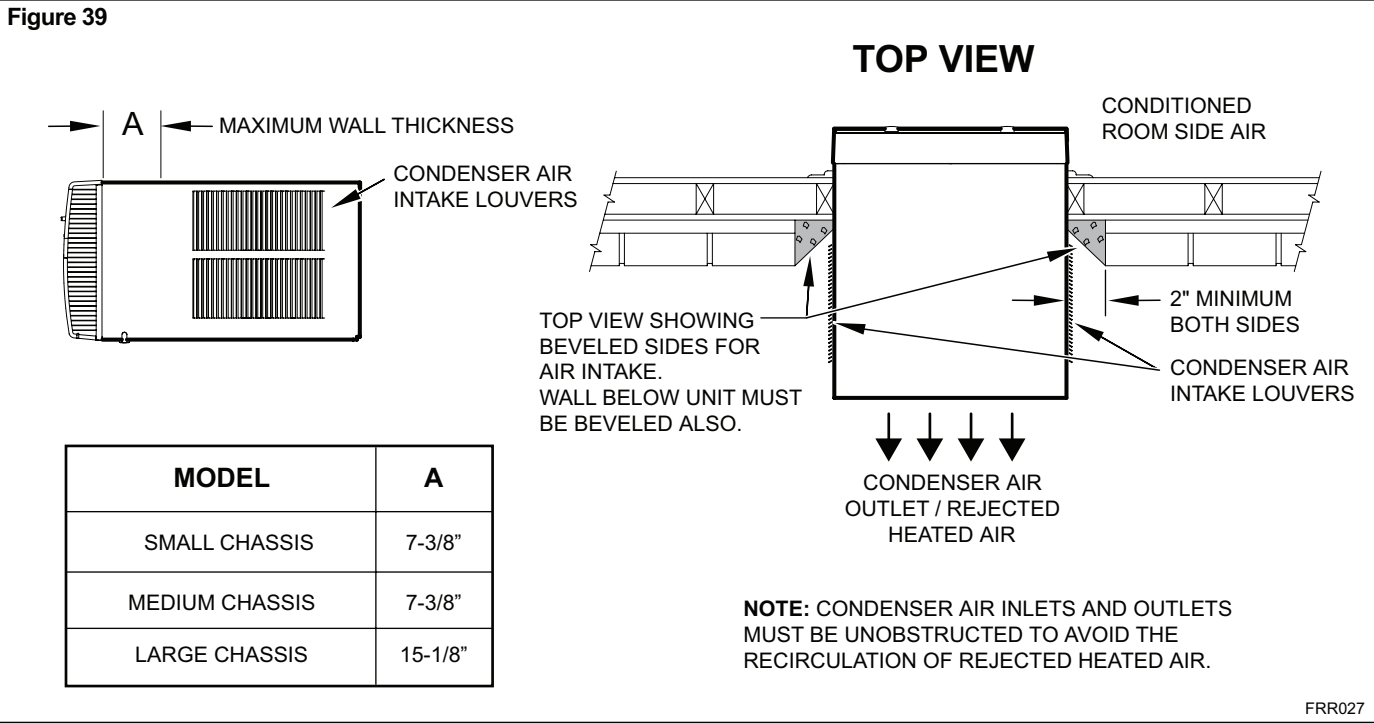


Figure 40

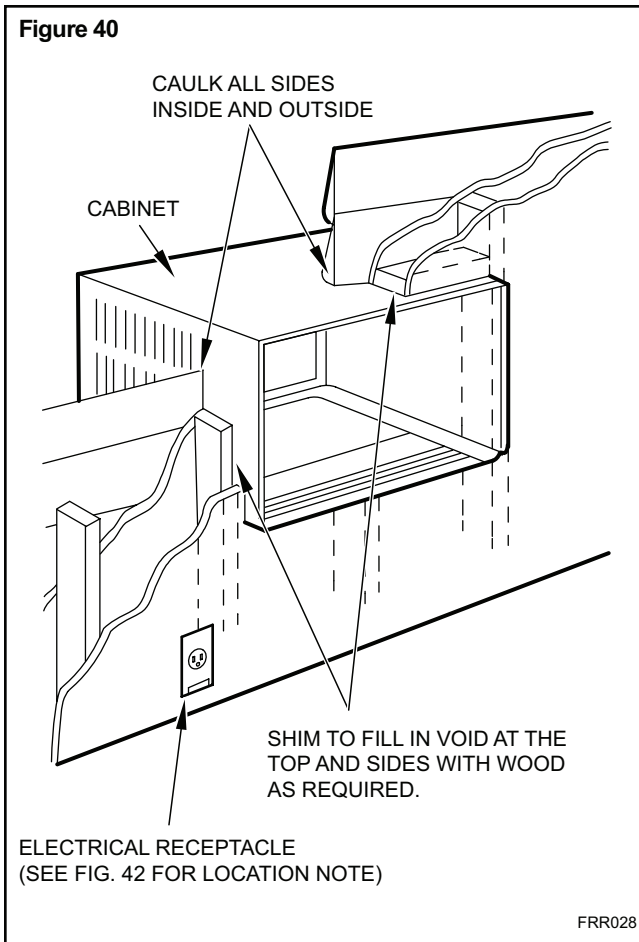


Figure 41

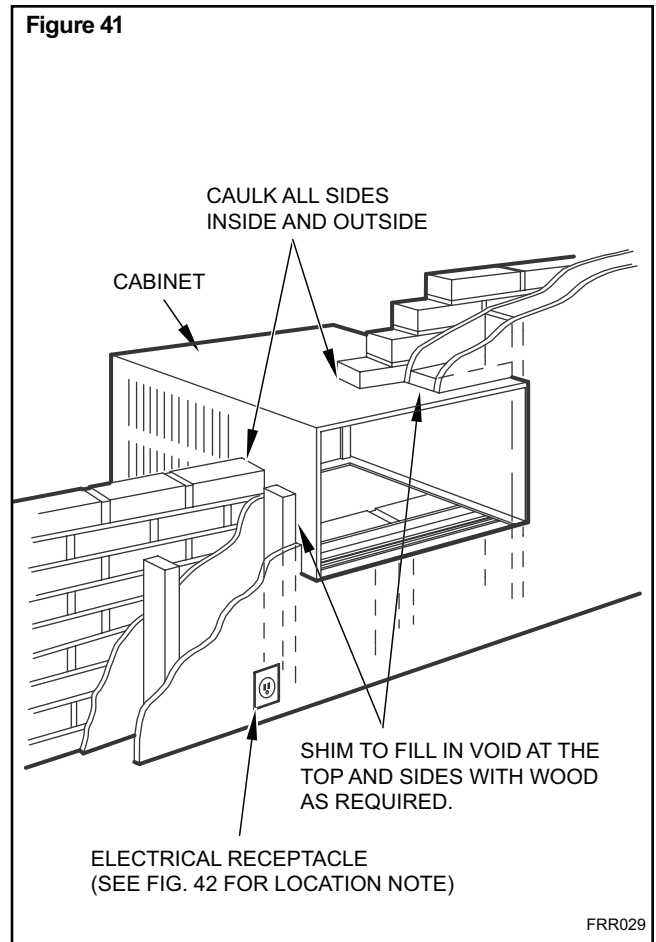
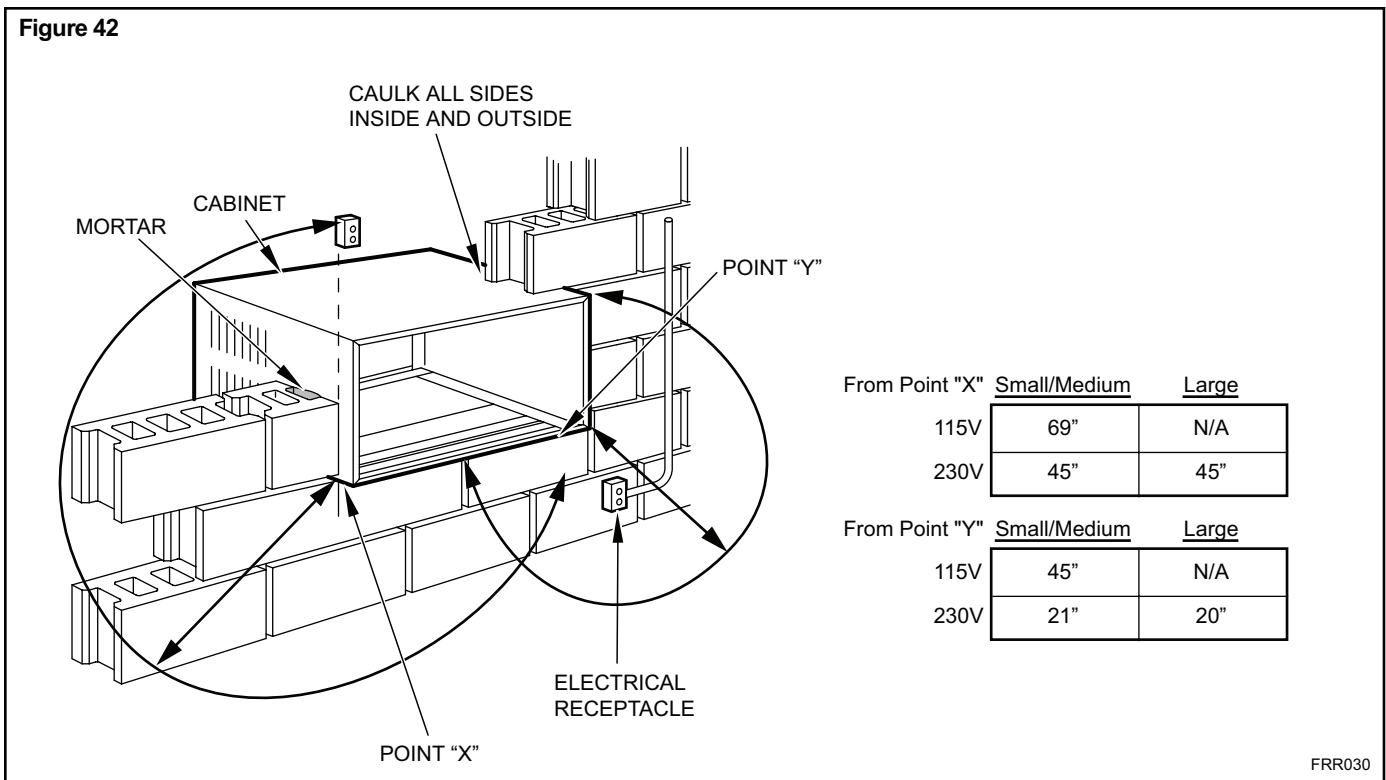


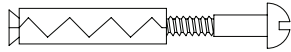
Figure 42



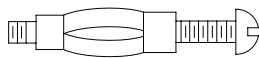
STEP 6. Slide the cabinet into the hole far enough to allow the guide-channel of the sill plate to contact the inside wall surface (Figure 20).

STEP 7. Drill three (3) 5/32" diameter pilot holes (use the sill-plate holes as a guide) into the frame and install three (3) #12 x 2" long screws (Item 4) (Figure 20).

NOTE: Alternate fasteners are required when securing the sill plate or support brackets to material other than wood (cinder block, brick, masonry or concrete). These items can be purchased at your local hardware store.



EXPANSION ANCHOR BOLT



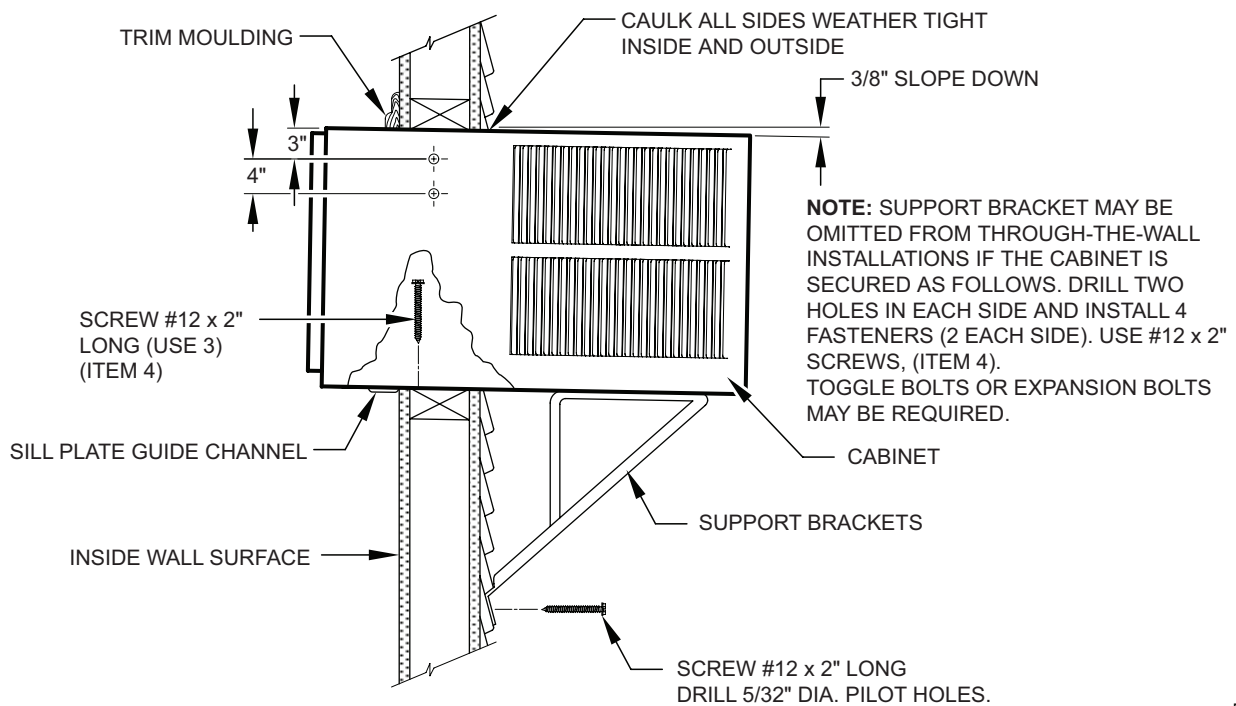
MOLLY OR TOGGLE BOLT

NOTE: DO NOT LEVEL the cabinet from front to back. Make sure there is approximately 3/8" to 1/2" slope (1/8 to 1/4 bubble on the level) toward the outside of the house.

STEP 8. Drill two (2) 5/32" diameter pilot holes in each cabinet side at the locations shown (Figure 20) and install four (4) #12 x 2" screws (Item 4). Provided that Step 5 (hole construction) provides a sturdy mount with solid vertical studs, support brackets may not be required. The installation must support the weight of the unit plus an additional weight of 400 pounds on the rear of the cabinet. If support brackets (Item 1) are available, they can be installed as shown in Figure 20.

STEP 9. Complete the installation by following steps 12 through 15 of "STANDARD WINDOW INSTALLATION" instructions, page 20.

Figure 43



FRR031

Programmable Thermostat

Your unit's digital control features an advanced 7 day programmable thermostat feature that can be used to turn the unit on or off or even change modes and maintain temperatures throughout the day.

Factory settings are shown in addendum 1 (Schedule Table with Energy Saving Values). These values can be changed by following the procedures in the preceding paragraphs. Basic options are: Four (4) day groups.

1. Monday through Friday.
2. Saturday and Sunday only.
3. Monday through Sunday.
4. Individual days (Mon thru Sun).

Each of the day groups have four (4) time periods: WAKE (06:00), AWAY (08:00), RETURN (18:00), and NIGHT (22:00).

The start time for each of the time periods can be changed. In addition, each time period can have its own temperature and fan mode.

For example, let's say you are in a cool climate region. You leave for work at 08:00 and return home around 18:30. You can set the temperature lower while you are away from your home. At 18:00, you set the temperature higher for the RETURN period so the room is nice and comfortable when you arrive.

Set Schedule Sequence – 1 Wake Period



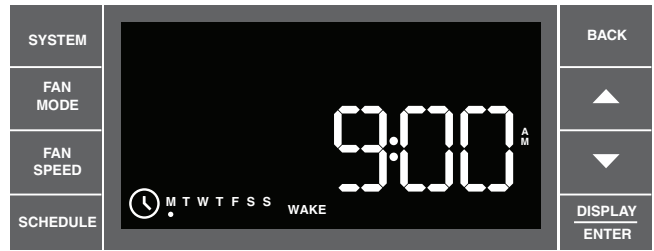
FRR032

Press and hold **SCHEDULE** for three (3) seconds to enter the schedule setting mode. If left inactive for five (5) minutes, the unit exits the schedule setting mode and returns to normal display without saving any settings that might have been changed. To exit and save the changes, press and hold **SCHEDULE** for three (3) seconds. All changed parameters will be saved. The **BACK** key allows the user to back up through the menus.



FRR033

When the schedule setting mode is entered, a confirmation sound plays and the schedule icon blinks. The display begins with all weekday (MTWTF) dots lit. Changes made will apply equally to all weekdays.



FRR034

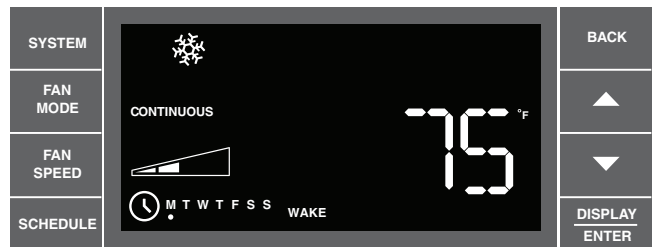
The user can select a different day group by pressing **SCHEDULE**. If the user continues to press **SCHEDULE**, the system will cycle through all the day groups in the following order: MTWTF, SS, Mon, Tues, Wed, Thur, Fri, Sat, Sun. Note the last day group is each individual day. In other words, the user can adjust each of the four (4) time period start times per day. This is a real helpful feature if you have an adjustable work shift. Each day group begins showing the start time for the wake time period.



FRR035

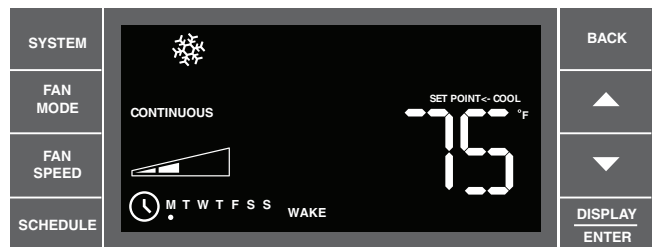
To change the time, press **▲** (UP) or **▼** (DOWN) to increment/decrement the time by 15 minute jumps. Once the correct time is set, press **DISPLAY ENTER** to advance to the next step.

Set Schedule Sequence – 2 Wake Period



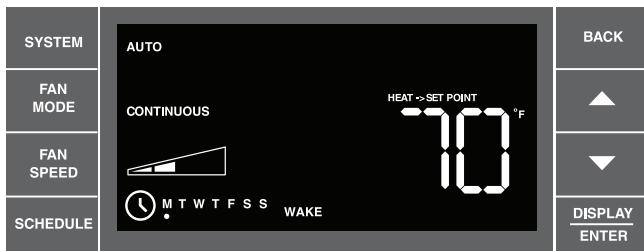
FRR036

Now you can adjust the settings for SYSTEM, FAN MODE, FAN SPEED and TEMPERATURE.



FRR037

Press **SYSTEM**, **FAN MODE**, or **FAN SPEED** to change the perspective option. Use the **▲** (UP) or **▼** (DOWN) to adjust the cool setpoint.



FRR038

If the system mode is set to AUTO (Heat-Cool Unit only), a 2nd temperature labeled "Heat → Set Point" displays. Use ▲ (UP) or ▼ (DOWN) arrows to increment/decrement the heat temperature. The other parameters (SYSTEM, FAN SPEED, FAN MODE) cannot be changed on this screen. The temperature range for AUTO mode must remain a minimum of 3 degrees apart at all times. If the high or low temperature is adjusted too close to its counterpart, that temperature not being directly changed will increase/decrease as needed to maintain the 3 degree spread. The user presses **DISPLAY ENTER** to advance to the next time period.



FRR039

If the user selects FAN-Only mode, the word FAN displays for 2 seconds. In this mode you may adjust the FAN SPEED. The FAN SPEED options are: LOW, MED, HIGH or MAX*. Fan speed depends on your unit's model. The MAX* Setting is available on all SS and SM models.



FRR040

If the user wants the air conditioner to power down for a period of time, pressing **SYSTEM** a fifth time will set the unit options to OFF and put the unit into hibernation until the next scheduled period. This feature is available during schedule setup only. In on-the-fly use, the user just presses the power button.



FRR041

If the user should decide they don't want to use any or all four time periods for the day, they can set any period to be pressing **SYSTEM**. This will blank out the options and display the word SKIP. This can be undone by pressing **SYSTEM** again. The digital control defaults to the time period setting immediately prior to the user advancing to SKIP. Press **DISPLAY ENTER** to continue on to the next time period. SKIP continues the settings of the previous time period, it will terminate at the start of the next time period where SKIP is not selected.

Set Schedule – Away, Return, Night Periods



FRR042

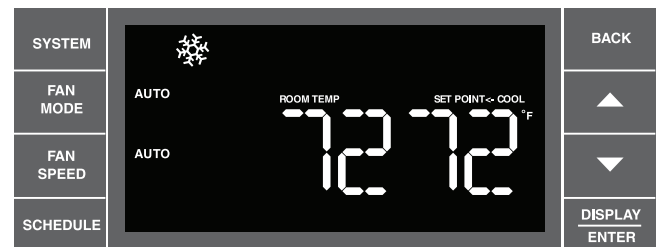
Each of the additional periods (Away, Return, Night) are programmed identical to the programming for the Wake period. The appropriate period identifier (Away, Return, Night) displays during each programming sequence.

Once the user has programmed all four (4) time periods, the program goes to the next day or day group by pressing SCHEDULE. For example, if individual days are being programmed, the program will go from Mon to Tues leading the user through 4 periods for Tues until it reaches the end of the week.

NOTE: Day group sequence is as follows: Monday through Friday (weekday), Saturday – Sunday (weekend), Monday through Sunday (7-day), and individual days Mon → Tue → Wed → Thru → → →

Note that by pressing SCHEDULE repeatedly the process follows a continuous loop until the user decides to exit.

When the user has completed setting start times and options (or at any point in the process) they can press **SCHEDULE** toggle to the next day (or set of days), or they can press and hold **SCHEDULE** for 3 seconds to save their changes and exit the set schedule mode. Once programmed you can SAVE and EXIT or select another day group by pressing SCHEDULE.



FRR043

Schedule Mode Completed.


Final Inspection & Start-up Checklist

- ◆ Inspect and ensure that all components and accessories have been installed properly and that they have not been damaged during the installation progress.
- ◆ Check the condensate water drain(s) to ensure that they are adequate for the removal of condensate water, and that they meet the approval of the end user.
- ◆ Ensure that all installation instructions concerning clearances around the unit have been adhered to. Check to ensure that the unit air filter, indoor coil, and outdoor coil are free from any obstructions.
- ◆ Ensure that the circuit breaker(s) or fuse(s) and supply circuit wire size have been sized correctly. If the unit was supplied with a power supply cord, insure that it is stored properly.
- ◆ Ensure that the entire installation is in compliance with all applicable national and local codes and ordinances having jurisdiction.
- ◆ Secure components and accessories, such as a decorative front cover.
- ◆ Start the unit and check for proper operation of all components in each mode of operation.
- ◆ Instruct the owner or operator of the units operation, and the manufacturer's Routine Maintenance.

NOTE: A log for recording the dates of maintenance and/or service is recommended.

- ◆ Present the owner or operator of the equipment with the Installation & Operation Manual, all accessory installation instructions, and the name, address and telephone number of the Authorized Friedrich Warranty Service Company in the area for future reference if necessary.


This is a warm weather appliance

Your air conditioner is designed to cool in warm weather when the outside temperature is above 60° F (15.6° C) and below 115° F (46.1° C), so it won't cool a room if it is already cool outside. If you want to cool a room in the spring or fall, select the FAN ONLY  mode and set the Fresh Air/Exhaust air control to Fresh Air. This will bring in a supply of cooler outside air.

Condensation is normal

Air conditioners actually pump the heat and humidity from your room to the outside. Humidity becomes water, and your air conditioner will use most of the water to keep the outside coil cool. If there is excessive humidity, there may be excess water that will drip outside. This is normal operation.

Frosting

This usually occurs because of insufficient airflow across the coils, a dirty filter, cool damp weather, or all of these. Set the SYSTEM mode to FAN ONLY  and the frost will disappear. Setting the thermostat a little warmer will probably prevent the frosting from recurring.

Noises

All air conditioners make some noise. Friedrich units are designed to operate as quietly as possible. An air conditioner mounted in a wall is quieter than one mounted in a window. It is important to ensure that the chassis seal gasket (Item 14) is properly installed (refer to installation instructions).

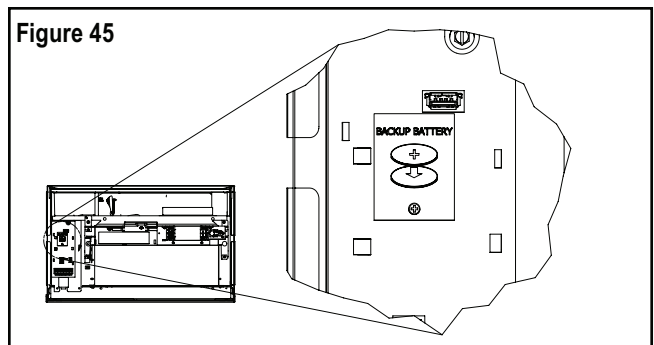
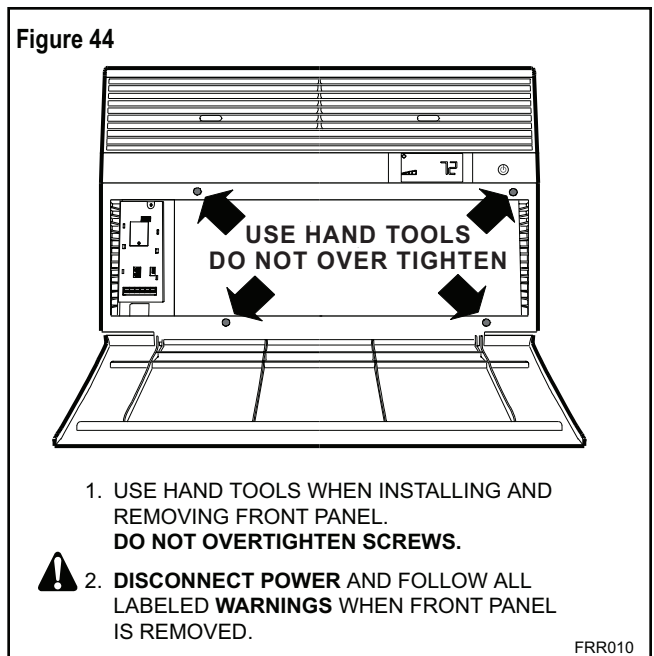
Heat pumps operate differently

If your unit is a "Y", or heat pump model, there are some things that you will want to be aware of. Some functions of a heat pump differ from your unit when it is used for heating:

1. It is normal for ice to form on the outdoor coil of the heat pump. Moisture in the outside air, passing over the coil when very cold, will form ice.
2. If the outdoor temperature drops below 37° F (3° C), your heat pump will automatically turn on the electric resistance heat. When the temperature rises to 40° F (4° C), the compressor will resume the heat pump operation. If your unit is a 115 volt model (YS10), it is designed for use in warmer climates and does not have an electrical heat feature, and will not provide adequate heat below 37° F (2.8° C).



Control Panel Battery Change Procedure

Remove the grille, by loosening four (4) captive screws (See Figure 44). In the upper left corner, remove one (1) screw on the battery retaining door (See Figure 45). Remove and replace the battery (CR2450). Reinstall the battery retaining door. Align the grille guide pins then tighten the four (4) captive screws. Before closing the grille panel door, check the filter. Clean or replace it as necessary.



Routine Maintenance

To ensure proper unit operation, the air filters should be cleaned at least monthly, and more frequently if conditions warrant. The unit must be turned off before the filters are cleaned.

 WARNING	
	<p>Electrical Shock Hazard</p> <p>Make sure your electrical receptacle has the same configuration as your air conditioner's plug. If different, consult a Licensed Electrician.</p> <p>Do not use plug adapters. Do not use an extension cord. Do not remove ground prong.</p> <p>Always plug into a grounded 3 prong outlet. Failure to follow these instructions can result in death, fire, or electrical shock.</p>

To Remove, Wash and Replace Filter

Lower front panel (See Figure 2). Use handle on filter to flex filter up and out of retainer. Remove filter from unit (See Figure 3). Clean filter monthly or more frequently if needed. Refer to accessories section for filter options.

Coils & Chassis

NOTE: Do not use a caustic coil cleaning agent on coils or base pan. Use a biodegradable cleaning agent and degreaser. The use of harsh cleaning materials may lead to deterioration of the aluminum fins or the coil end plates.

The indoor coil and outdoor coils and base pan should be inspected periodically (annually or semi-annually) and cleaned of all debris (lint, dirt, leaves, paper, etc.) as necessary. Under extreme conditions, more frequent cleaning may be required. Clean the coils and base pan with a soft brush and compressed air or vacuum. A pressure washer may also be used, however, you must be careful not to bend the aluminum fin pack. Use a sweeping up and down motion in the direction of the vertical aluminum fin pack when pressure cleaning coils.

NOTE: It is extremely important to insure that none of the electrical and/or electronic parts of the unit get wet. Be sure to cover all electrical components to protect them from water or spray.

Decorative Front

Use a damp (not wet) cloth when cleaning the control area to prevent water from entering the unit, and possibly damaging the electronic control.

The decorative front and the cabinet can be cleaned with warm water and a mild liquid detergent. Do NOT use solvents or hydrocarbon based cleaners such as acetone, naphtha, gasoline, benzene, etc.

The indoor coil can be vacuumed with a dusting attachment if it appears to be dirty. DO NOT BEND FINS. The outdoor coil can be gently sprayed with a hose if you can get to it. If not, you might call your dealer for a more thorough cleaning when needed.

The air filter should be inspected weekly and cleaned if needed by vacuuming with a dust attachment or by cleaning in the sink using warm water and a mild dishwashing detergent. Dry the filter thoroughly before reinstalling. Use caution the coil surface can be sharp.

Fan Motor & Compressor

The fan motor & compressor are permanently lubricated, and require no additional lubrication.

Wall Sleeve

Inspect the inside of the wall sleeve and drain system periodically (annually or semi-annually) and clean as required. Under extreme conditions, more frequent cleaning may be necessary. Clean both of these areas with an antibacterial and antifungal cleaner. Rinse both items thoroughly with water and ensure that the drain outlets are operating correctly. Check the sealant around the sleeve and reseal areas as needed.

Service and Assistance

Before calling for service, please check the "Troubleshooting Tips" section on pages 40 and 41. This may help you to find the answer to your problem, avoid unnecessary service calls, and save you the cost of a service call if the problem is not due to the product itself. If you have checked the "Basic Troubleshooting" section and still need help, it is available as follows:

You can find the name of your local Authorized Service Provider by visiting our web site at www.friedrich.com.

If you require further assistance

You can call the Customer Support Call Center at **1-800-541-6645**.

Before calling, please make sure that you have the complete model and serial number, and date of purchase of your equipment available. By providing us with this information, we will be better able to assist you.

Our specialists are able to assist you with:

- ◆ Specifications and Features of our equipment.
- ◆ Referrals to dealers, and distributors.
- ◆ Use and Care Information.
- ◆ Recommended maintenance procedures.
- ◆ Installation information.
- ◆ Referrals to Authorized Service Providers and Parts depots.

Available Accessories

DC-2 Drain Kit – Part No. 01900235

In some installations, excess condensate water caused by extremely humid conditions, may result in an undesirable water drip such as on a patio or over an entryway. MODEL DC-2 DRAIN KIT (Part No. 01900-235) can be installed to drain excess condensation to an alternate location.

Carbon Filter Kits

The kits vary depending on the chassis size (small, medium, large). Each kit contains three (3) filters.

WCFS – Carbon filter kit for small chassis models.

WCFM – Carbon filter kit for medium chassis models.

WCFL – Carbon filter kit for large chassis models.

Remote Wall Thermostats

RT4 – Digital wall thermostat hard wired with single speed fan.

RT5 – Digital wall thermostat hard wired with two fan speed selection, battery backup and backlight display.

Window Installation Kits (Standard in Kühl Models without Heat)

KWIKS – For all ES and YS models.

KWIKM – For all EM and YM models.

KWIKL – For all EL and YL models.

See www.friedrich.com for additional accessories for your unit.

Troubleshooting Tips

COMPLAINT	CAUSE	SOLUTION
Unit does not operate.	<ul style="list-style-type: none"> The unit is turned to the off position, or the thermostat is satisfied. 	<ul style="list-style-type: none"> Turn the unit to the on position and raise or lower temperature setting (as appropriate) to call for operation.
	<ul style="list-style-type: none"> The LCDI power cord is unplugged. 	<ul style="list-style-type: none"> Plug into a properly grounded 3 prong receptacle. See "Electrical Rating Tables" on pg. 6 for the proper receptacle type for your unit.
	<ul style="list-style-type: none"> The LCDI power cord has tripped (Reset button has popped out). 	<ul style="list-style-type: none"> Press and release RESET (listen for click; Reset button latches and remains in) to resume operation.
	<ul style="list-style-type: none"> The circuit breaker has tripped or the supply circuit fuse has blown. 	<ul style="list-style-type: none"> Reset the circuit breaker, or replace the fuse as applicable. If the problem continues, contact a licensed electrician.
	<ul style="list-style-type: none"> There has been a local power failure. 	<ul style="list-style-type: none"> The unit will resume normal operation once power has been restored.
Unit Trips Circuit Breaker or Blows Fuses.	<ul style="list-style-type: none"> Other appliances are being used on the same circuit. 	<ul style="list-style-type: none"> The unit requires a dedicated outlet circuit, not shared with other appliances.
	<ul style="list-style-type: none"> An extension cord is being used. 	<ul style="list-style-type: none"> Do NOT use an extension cord with this or any other air conditioner.
	<ul style="list-style-type: none"> The circuit breaker or time-delay fuse is not of the proper rating. 	<ul style="list-style-type: none"> Replace with a circuit breaker or time-delay fuse of the proper rating. See "Electrical Rating Tables" on pg. 6 for the proper circuit breaker/fuse rating for your unit. If the problem continues, contact a licensed electrician.
LCDI Power Cord Trips (Reset Button Pops Out).	<ul style="list-style-type: none"> The LCDI power cord can trip (Reset button pops out) due to disturbances on your power supply line. 	<ul style="list-style-type: none"> Press and release RESET (listen for click; Reset button latches and remains in) to resume normal operation.
	<ul style="list-style-type: none"> Electrical overload, overheating, or cord pinching can trip (Reset button pops out) the LCDI power cord. 	<ul style="list-style-type: none"> Once the problem has been determined and corrected, press and release RESET (listen for click; Reset button latches and remains in) to resume normal operation.
	<p>NOTE: A damaged power supply cord must be replaced with a new power supply cord obtained from the product manufacturer and must not be repaired.</p>	
Unit Does Not Cool/Heat Room Sufficiently, Or Cycles On And Off Too Frequently.	<ul style="list-style-type: none"> The return/discharge air grille is blocked. 	<ul style="list-style-type: none"> Ensure that the return and/or discharge air paths are not blocked by curtains, blinds, furniture, etc.
	<ul style="list-style-type: none"> Windows or doors to the outside are open. 	<ul style="list-style-type: none"> Ensure that all windows and doors are closed.
	<ul style="list-style-type: none"> The temperature is not set at a cool enough/warm enough setting. 	<ul style="list-style-type: none"> Adjust the Temperature control to a cooler or warmer setting as necessary.
	<ul style="list-style-type: none"> The filter is dirty or obstructed. 	<ul style="list-style-type: none"> Clean the filter, (See Routine Maintenance), or remove obstruction.
	<ul style="list-style-type: none"> The indoor coil or outdoor coil is dirty or obstructed. 	<ul style="list-style-type: none"> Clean the coils, (See Routine Maintenance), or remove obstruction.
	<ul style="list-style-type: none"> There is excessive heat or moisture (cooking, showers, etc.) in the room. 	<ul style="list-style-type: none"> Be sure to use exhaust vent fans while cooking or bathing and, if possible, try not to use heat producing appliances during the hottest part of the day.
	<ul style="list-style-type: none"> The temperature of the room you are trying to cool is extremely hot. 	<ul style="list-style-type: none"> Allow additional time for the air conditioner to cool off a very hot room.

Troubleshooting Tips (continued)

COMPLAINT	CAUSE	SOLUTION
Unit Does Not Cool/Heat Room Sufficiently, Or Cycles On And Off Too Frequently (continued).	<ul style="list-style-type: none"> The outside temperature is below 60° F (16° C). 	<ul style="list-style-type: none"> Do not try to operate your air conditioner in the cooling mode when the outside temperature is below 60° F (16° C). The unit will not cool properly, and the unit may be damaged.
	<ul style="list-style-type: none"> The digital control is set to fan cycling mode. 	<ul style="list-style-type: none"> Since the fan does not circulate the room air continuously at this setting, the room air does not mix as well and hot (or cold) spots may result. Using the continuous fan setting is recommended to obtain optimum comfort levels.
	<ul style="list-style-type: none"> The air conditioner has insufficient cooling capacity to match the heat gain of the room. 	<ul style="list-style-type: none"> Check the cooling capacity of your unit to ensure it is properly sized for the room in which it is installed. Room air conditioners are not designed to cool multiple rooms.
	<ul style="list-style-type: none"> The air conditioner has insufficient heating capacity to match the heat loss of the room. 	<ul style="list-style-type: none"> Check the heating capacity of your unit. Air conditioners are sized to meet the cooling load, and heater size is then selected to meet the heating load. In extreme northern climates, room air conditioners may not be able to be used as a primary source of heat.
Unit Runs Too Much.	<ul style="list-style-type: none"> This may be due to an excessive heat load in the room. 	<ul style="list-style-type: none"> If there are heat producing appliances in use in the room, or if the room is heavily occupied, the unit will need to run longer to remove the additional heat.
	<ul style="list-style-type: none"> It may also be due to an improperly sized unit. 	<ul style="list-style-type: none"> Be sure to use exhaust vent fans while cooking or bathing and, if possible, try not to use heat producing appliances during the hottest part of the day.
	<ul style="list-style-type: none"> This may be normal for higher efficiency (EER) air conditioners. 	<ul style="list-style-type: none"> The use of higher efficiency components in your new air conditioner may result in the unit running longer than you feel it should. This may be more apparent, if it replaced an older, less efficient, model. The actual energy usage, however, will be significantly less when compared to older models.
	<ul style="list-style-type: none"> You may notice that the discharge air temperature of your new air conditioner may not seem as cold as you may be accustomed to from older units. This does not, however, indicate a reduction in the cooling capacity of the unit. 	<ul style="list-style-type: none"> The energy efficiency ratio (EER) and cooling capacity rating (Btu/h) listed on the unit's rating plate are both agency certified.

Addendum 1

Schedule Table with Energy Saving Values

Cool, Heat, Auto, Fan Only, Skip, OFF											
Day of Week	Schedule Period	Default Front Panel	Default Wallstat	Default Mode	Fan Mode	Fan Speed	Set Point Cool) (SSPC)	Set Point Heat (SSPH)	Auto Set Point Cool (SASPC)	Auto Set Point Heat (SASPH)	Time
Monday	Wake	ON	Off	Cool	Auto	Low	78	70	78	70	6:00AM
Monday	Away	ON	Off	Cool	Auto	Low	85	62	85	62	8:00 AM
Monday	Return	ON	Off	Cool	Auto	Low	78	70	78	70	6:00PM
Monday	Night	ON	Off	Cool	Auto	Low	82	62	82	62	10:00PM
Tuesday	Wake	ON	Off	Cool	Auto	Low	78	70	78	70	6:00AM
Tuesday	Away	ON	Off	Cool	Auto	Low	85	62	85	62	8:00 AM
Tuesday	Return	ON	Off	Cool	Auto	Low	78	70	78	70	6:00PM
Tuesday	Night	ON	Off	Cool	Auto	Low	82	62	82	62	10:00PM
Wednesday	Wake	ON	Off	Cool	Auto	Low	78	70	78	70	6:00AM
Wednesday	Away	ON	Off	Cool	Auto	Low	85	62	85	62	8:00 AM
Wednesday	Return	ON	Off	Cool	Auto	Low	78	70	78	70	6:00PM
Wednesday	Night	ON	Off	Cool	Auto	Low	82	62	82	62	10:00PM
Thursday	Wake	ON	Off	Cool	Auto	Low	78	70	78	70	6:00AM
Thursday	Away	ON	Off	Cool	Auto	Low	85	62	85	62	8:00 AM
Thursday	Return	ON	Off	Cool	Auto	Low	78	70	78	70	6:00PM
Thursday	Night	ON	Off	Cool	Auto	Low	82	62	82	62	10:00PM
Friday	Wake	ON	Off	Cool	Auto	Low	78	70	78	70	6:00AM
Friday	Away	ON	Off	Cool	Auto	Low	85	62	85	62	8:00 AM
Friday	Return	ON	Off	Cool	Auto	Low	78	70	78	70	6:00PM
Friday	Night	ON	Off	Cool	Auto	Low	82	62	82	62	10:00PM
Saturday	Wake	ON	Off	Cool	Auto	Low	78	70	78	70	6:00AM
Saturday	Away	ON	Off	Cool	Auto	Low	85	62	85	62	8:00 AM
Saturday	Return	ON	Off	Cool	Auto	Low	78	70	78	70	6:00PM
Saturday	Night	ON	Off	Cool	Auto	Low	82	62	82	62	10:00PM
Sunday	Wake	ON	Off	Cool	Auto	Low	78	70	78	70	6:00AM
Sunday	Away	ON	Off	Cool	Auto	Low	85	62	85	62	8:00 AM
Sunday	Return	ON	Off	Cool	Auto	Low	78	70	78	70	6:00PM
Sunday	Night	ON	Off	Cool	Auto	Low	82	62	82	62	10:00PM



F R I E D R I C H

Friedrich Air Conditioning Company

10001 Reunion Place, Suite 500

San Antonio, Tx 78216

1-800-541-6645

www.friedrich.com

ROOM AIR CONDITIONERS

LIMITED WARRANTY

FIRST YEAR

ANY PART: If any part supplied by FRIEDRICH fails because of a defect in workmanship or material within twelve months from date of original purchase, FRIEDRICH will repair the product at no charge, provided room air conditioner is reasonably accessible for service. Any additional labor cost for removing inaccessible units and/or charges for mileage related to travel by a Service Agency that exceeds 25 miles one way will be the responsibility of the owner. This remedy is expressly agreed to be the exclusive remedy within twelve months from the date of the original purchase.

SECOND THROUGH FIFTH YEAR

SEALED REFRIGERANT SYSTEM: If the Sealed Refrigeration System (defined for this purpose as the compressor, condenser coil, evaporator coil, reversing valve, check valve, capillary, filter drier, and all interconnecting tubing) supplied by FRIEDRICH in your Room Air Conditioner fails because of a defect in workmanship or material within sixty months from date of purchase, FRIEDRICH will pay a labor allowance and parts necessary to repair the Sealed Refrigeration System; PROVIDED FRIEDRICH will not pay the cost of diagnosis of the problem, removal, freight charges, and transportation of the air conditioner to and from the Service Agency, and the reinstallation charges associated with repair of the Sealed Refrigeration System. All such cost will be the sole responsibility of the owner. This remedy is expressly agreed to be the exclusive remedy within sixty months from the date of the original purchase.

APPLICABILITY AND LIMITATIONS: This warranty is applicable only to units retained within the Fifty States of the U.S.A., District of Columbia, and Canada. This warranty is not applicable to:

1. Air filters or fuses.
2. Products on which the model and serial numbers have been removed.
3. Products which have defects or damage which results from improper installation, wiring, electrical current characteristics, or maintenance; or caused by accident, misuse or abuse, fire, flood, alterations and/or misapplication of the product and/or units installed in a corrosive atmosphere, default or delay in performance caused by war, government restrictions or restraints, strikes, material shortages beyond the control of FRIEDRICH, or acts of God.

OBTAINING WARRANTY PERFORMANCE: Service will be provided by the FRIEDRICH Authorized Dealer or Service Organization in your area. They are listed in the Yellow Pages. If assistance is required in obtaining warranty performance, write to: Room Air Conditioner Service Manager, Friedrich Air Conditioning Co., P.O. Box 1540, San Antonio, TX 78216-1540.

LIMITATIONS: THIS WARRANTY IS GIVEN IN LIEU OF ALL OTHER WARRANTIES. Anything in the warranty notwithstanding, ANY IMPLIED WARRANTIES OF FITNESS FOR PARTICULAR PURPOSE AND/OR MERCHANTABILITY SHALL BE LIMITED TO THE DURATION OF THIS EXPRESS WARRANTY. MANUFACTURER EXPRESSLY DISCLAIMS AND EXCLUDES ANY LIABILITY FOR CONSEQUENTIAL OR INCIDENTAL DAMAGE FOR BREACH OF ANY EXPRESSED OR IMPLIED WARRANTY.

NOTE: Some states do not allow limitations on how long an implied warranty lasts, or do not allow the limitation or exclusion of consequential or incidental damages, so the foregoing exclusions and limitations may not apply to you.

OTHER: This warranty gives you specific legal rights, and you may also have other rights which vary from state to state.

PROOF OF PURCHASE: Owner must provide proof of purchase in order to receive any warranty related services.

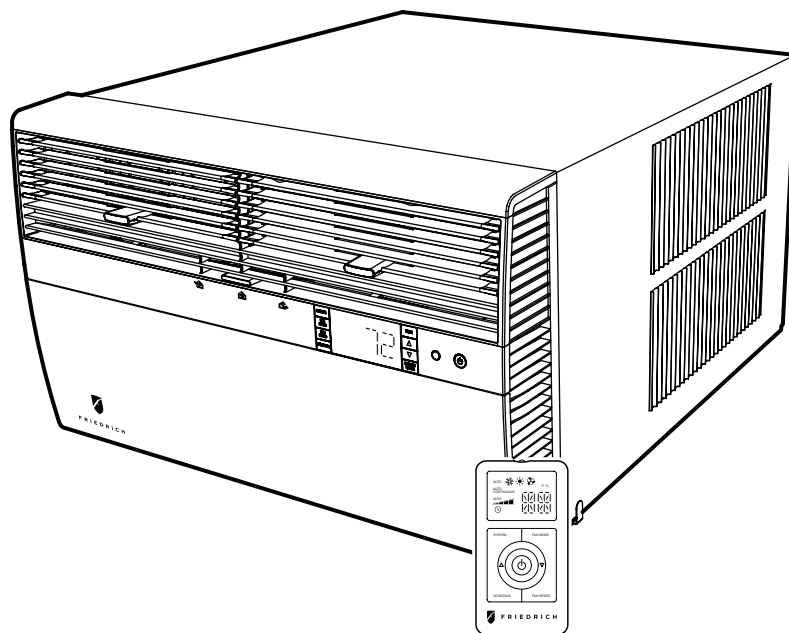
All service calls for explaining the operation of this product will be the sole responsibility of the consumer.

All warranty service must be provided by an Authorized FRIEDRICH Service Agency, unless authorized by FRIEDRICH prior to repairs being made.



F R I E D R I C H

Aire Acondicionado de Habitación



Modelos de Chasis Estándar

Kühl

115-Volt: SS08M10, SS10M10, SS12M10, SS14M10
208-230-Volt: SS12M30, SS15M30, SM18M30, SM21M30
5M24M30, SL28M30, SL36M30

Kühl+

Electric Heat

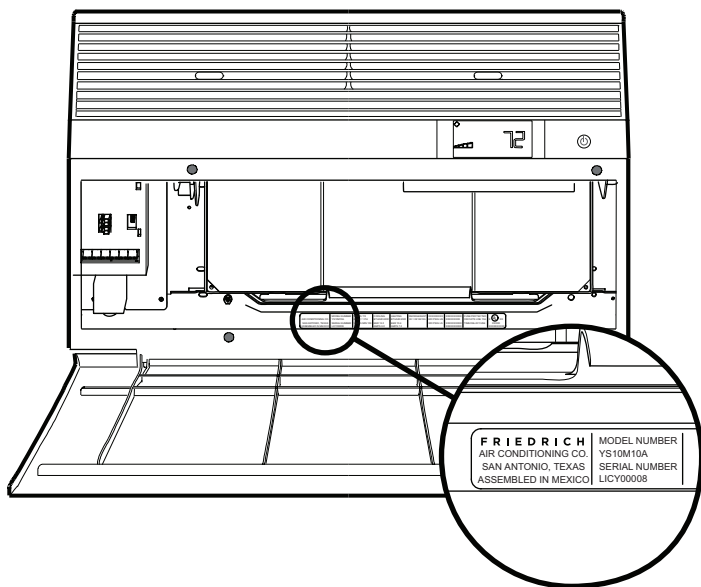
Kühl+

Heat Pump

115-Volt: YS10M10
208-230-Volt: ES12M33, ES15M33, YS12M33, EM18M34,
YM18M34, EM24M34, EL36M35, YL24M35

Gracias!

Gracias por su decisión de comprar un aire acondicionado Friedrich de Alta Eficiencia. Su nuevo Friedrich ha sido cuidadosamente diseñado y fabricado para darle larga vida de uso, operación eficiente, manteniendo una temperatura y un nivel de humedad cómodo. Muchas características de su unidad han sido creadas para asegurar la máxima operación silenciosa y económica, y la circulación de aire seco y fresco.



Registre su aire acondicionado

La información sobre el modelo se puede encontrar detrás de la placa de la cubierta frontal.

Por favor, complete y envíe la tarjeta de registro de propietario incluida en este producto, o regístrese en línea en:

www.friedrich.com (sólo en EE.UU.).

Para su comodidad en el futuro, registre la información del modelo aquí.

NÚMERO DE MODELO

NÚMERO DE SERIE

FECHA DE COMPRA

Contenido

Precauciones de Seguridad.....	4
Instrucciones para desempacar	5
AVISO IMPORTANTE: Antes de operar su unidad.....	6
Estándar de limpieza de filtro/ Instrucciones de instalación	7
Instrucciones de instalación del filtro de carbón.....	8
Operación de Panel de control.....	10
Añadir un termostato remoto	14
Selección de termostato remoto.....	14
Operación de control remoto	15
Efectividad del remoto.....	15
Selección y ajuste de flujo de aire	17
Instrucciones de instalación.....	18
Instalación de ventanas estándar	20
Cambio de orientación del cable.....	30
Instalación en pared	32
Termostato Programable	36
Checklist de instalación final	38
Rutina de Mantenimiento.....	39
Servicio y Asistencia	39
Accesorios disponibles.....	39
Sugerencias para problemas frecuentes	40
Apéndice 1	42

Precauciones de seguridad

Tu seguridad y la de los demás es muy importante.

Hemos incluido varios mensajes de seguridad en este manual y en su aparato. Siempre lea, y siga todos los mensajes de seguridad.



Este es un símbolo de alerta de seguridad

Este símbolo le advierte de los peligros potenciales que pueden matar ó herir a usted y a otros.

Todos los mensajes de seguridad acompañaran el símbolo de alerta de seguridad con las palabras "ADVERTENCIA" o "PRECAUCIÓN". Estas palabras significan:



ADVERTENCIA

Indica un peligro que si no se evita, puede dar resultado a heridas graves ó muerte y daños al producto ú otros bienes.



PRECAUCIÓN

Indica un peligro que si no se evita, puede dar resultado a heridas y daños al producto ú otros bienes.

Todos los mensajes de seguridad le diran cual es el peligro potencial, cómo reducir el riesgo de heridas, y le dirá lo que sucederá.

AVISO

Indica que puede ocurrir daño a su propiedad si las instrucciones no se siguen.



ADVERTENCIA



Sistema de refrigeración bajo alta presión.

No debe de perforar, calentar, exponer a llamas ó incinerar.

Sólo técnicos certificados en refrigeración deben reparar este equipo.

Los sistemas R410A funcionan a presiones más altas que el equipo R22. Un mantenimiento apropiado y prácticas de manejo adecuadas deben utilizarse.

Solo use indicadores diseñados para trabajar con R410A. No utilice indicadores estandar R22.

Instrucciones de desempacar

PASO 1. Corte los 4 tirantes del empaque.

PASO 2. Quite los separadores de madera

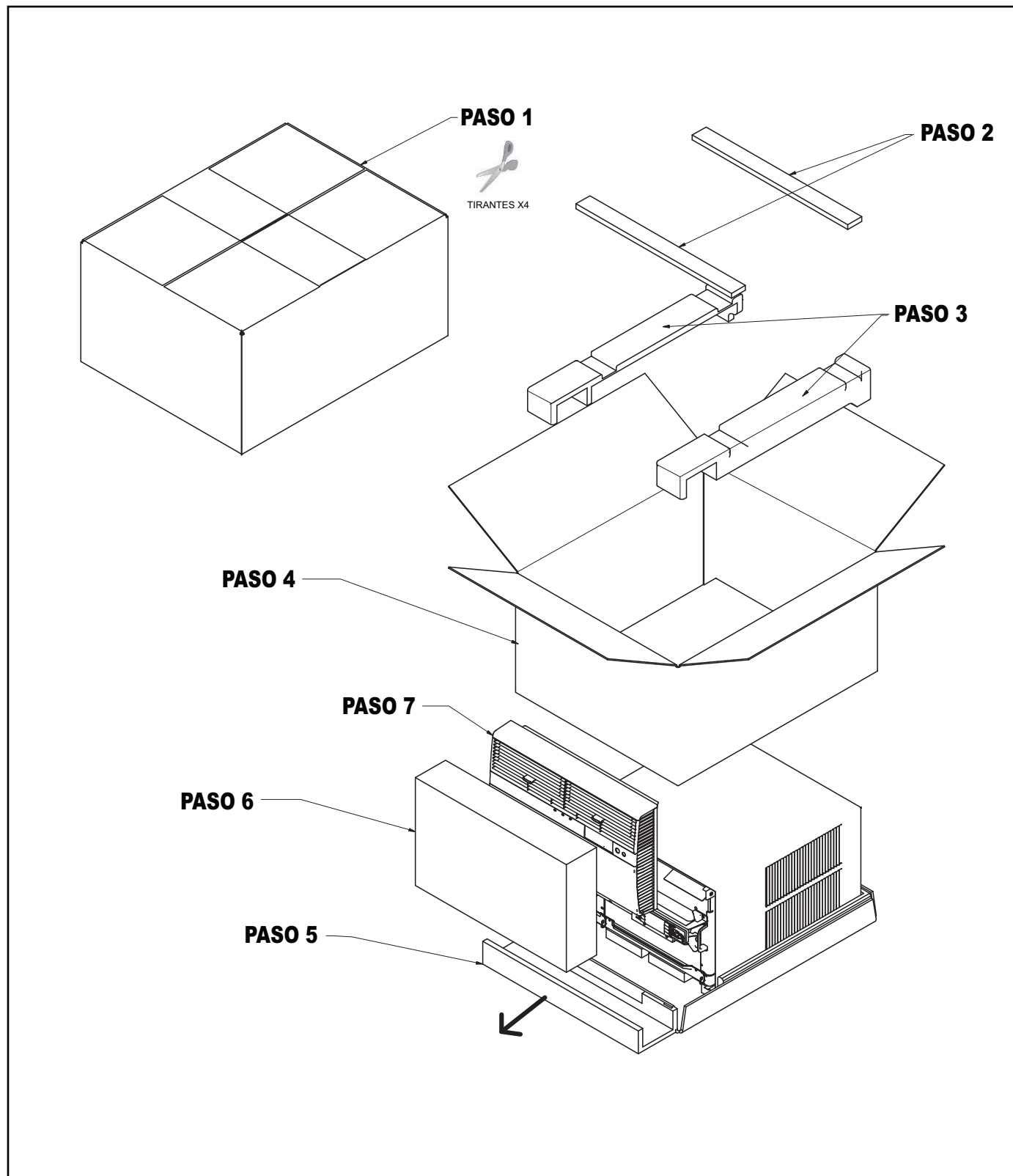
PASO 3. Quite la almohadilla de espuma superior

PASO 4. Lentamente retire la caja exterior, tenga cuidado de no aflojar la tapa frontal decorativa.

PASO 5. Deslice el frente de foam de apoyo hacia adelante.


PASO 6. Levante con cuidado la caja del frente decorativo del frente de apoyo de foam.

PASO 7. Cuidadosamente quite la tapa frontal decorativa.



ADVERTENCIA: Antes de operar su unidad

⚠ ADVERTENCIA



Peligro de choque eléctrico

Asegúrese de que su enchufe tenga la misma configuración eléctrica que el acondicionador de aire. Si es diferente, consulte a un electricista autorizado.

No utilice adaptadores de enchufe

No utilice un cable de extensión

No quite la clavija de tierra.

Siempre conecte a un enchufe de tres clavijas.

El no cumplir con estas instrucciones se puede ocasionar la muerte, un incendio o un choque eléctrico.

Asegúrese de que el cableado es el adecuado para su unidad.

Si tiene fusibles, deben ser del tipo de retraso de tiempo. Antes de instalar o mover esta unidad, asegúrese de que el amperaje del disyuntor o fusible de retraso de tiempo no supera el número de amperios que figuran en la Tabla 1.

NO utilice un cable de extensión

El cable que viene incluido llevará la cantidad adecuada de energía eléctrica a la unidad, un cable de extensión no puede.

Asegúrese de que el enchufe sea compatible con el cable que está incluido con el aire acondicionado.

La conexión a tierra adecuada se debe mantener en todo momento. Enchufes de dos clavijas deben ser reemplazados por un enchufe de tierra por un electricista certificado. El enchufe de tierra debe cumplir con todos los códigos nacionales y locales y las ordenanzas. Debe utilizar el enchufe de tres clavijas equipadas con el aire acondicionado. No debe de quitar las clavijas de tierra del enchufe bajo ningún circunstancia.

Prueba el cable de alimentación

Todos los acondicionadores de aire habitación de Friedrich se envían desde la fábrica con un cable de alimentación equipado con un Interruptor de detección de fugas (LCDI). El aparato de LCDI en la punta del cable cumple con los requisitos de UL y NEC para los aires acondicionados con la conexión de cable.

Para probar el cable de alimentación:





1. Enchufe el cable de alimentación a un enchufe de tierra de tres clavijas.
2. Presione RESET (vea figura 1).
3. Presione TEST, escuche el clic; el botón de RESET se sale.
4. Presione y suelte RESET (Escuche clic; el botón de RESET se mantiene para adentro). El cable de alimentación está listo para su uso.

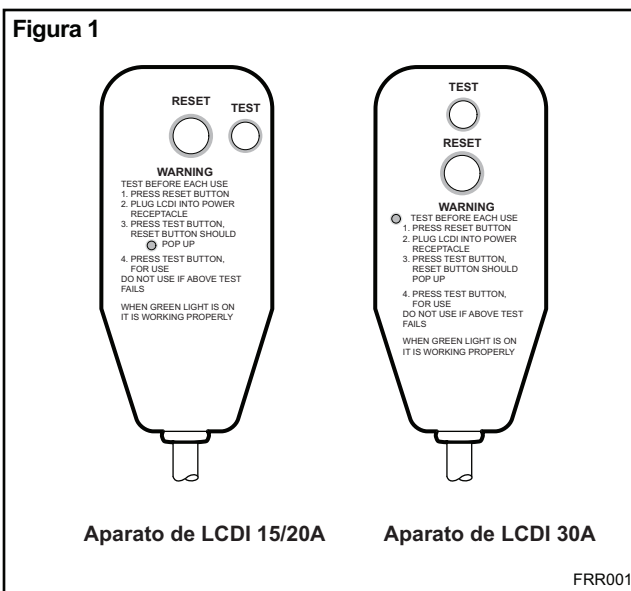
AVISO

No utilice el aparato de LCDI como un interruptor ON / OFF (encender/apagar).

Se puede causar mal funcionamiento prematuro del equipo si no sigue esta precaución.

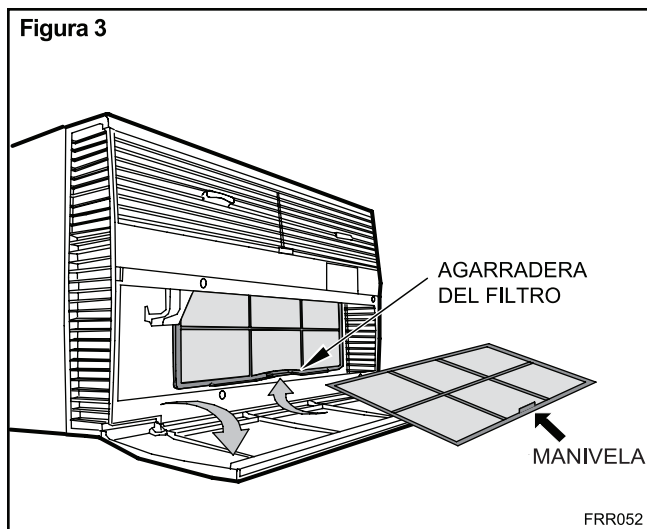
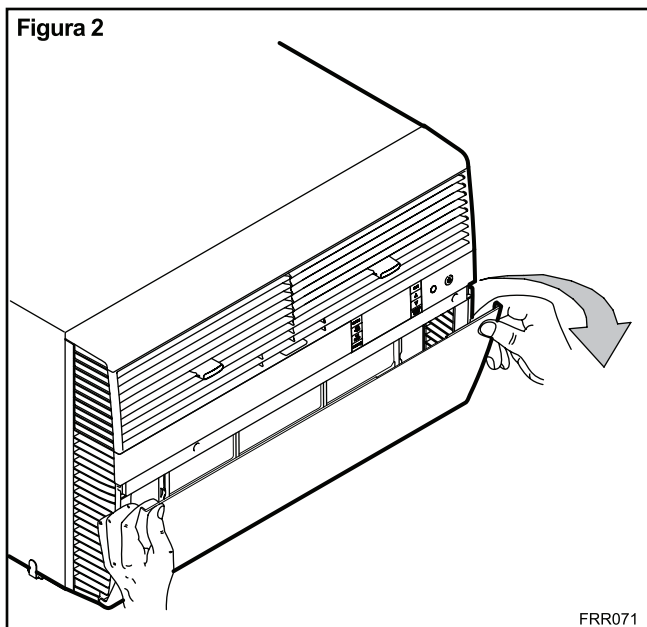
La unidad funcionará normalmente ya que esté conectado, sin necesidad de reiniciar el aparato LCDI. Si el aparato de LCDI no dispara durante la prueba o si el cable de alimentación está dañado, se debe reemplazar con un nuevo cable de alimentación del fabricante. Contacta nuestra Asistencia Técnica al (800) 541-6645. Para facilitar el servicio, por favor tenga su número de serie.

MODELO	CLASIFICACION DE CIRCUITO O FUSIBLE DE TIEMPO DE RETRASO		ENCHUFE DE PARED REQUERIDO	
	AMP	VOLT	NEMA NO.	
SS08M10, SS10M10, SS12M10, SS14M10, YS10M10	15	125	5-15R	
SS12M30, SS15M30, SM18M30, SM21M30	15	250	6-15R	
SM24M30, SL28M30, ES12M33, ES15M33, YS12M33	20	250	6-20R	
SL36M30, EM18M34, EM24M34, EL36M35, YM18M34, YL24M35	30	250	6-30R	



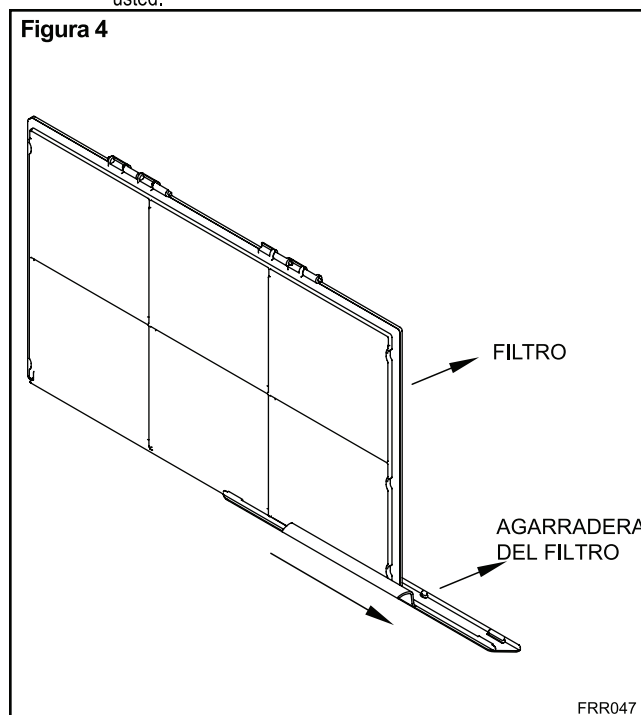
Estándar de limpieza de filtro/ Instrucciones de instalación

PASO 1. Abra la puerta, agarre el filtro firmemente y empuje el detenedor del filtro hacia arriba y hacia afuera para remover.

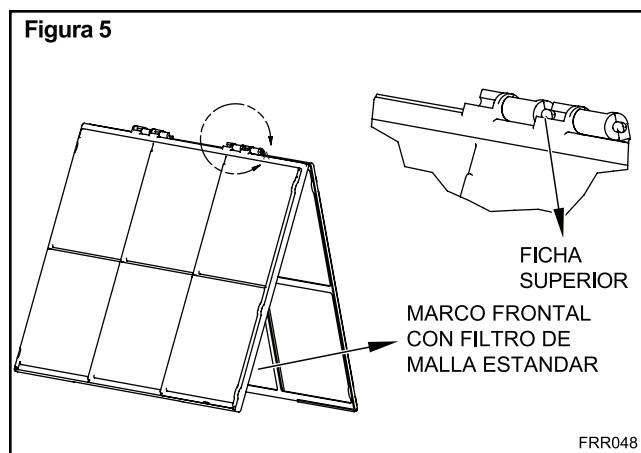


PASO 2. Deslice la agarradera del filtro como se muestra en la figura 4.

AVISO: Asegúrese que el marco frontal con el filtro de malla esté hacia usted.



PASO 3. Abra el marco frontal. Elimine la tierra del filtro para limpiar el marco. Utilice un jabón suave si es necesario. Permita que se seque el filtro.



PASO 4. Deslice la agarradera del filtro en el filtro para reinstalarla.

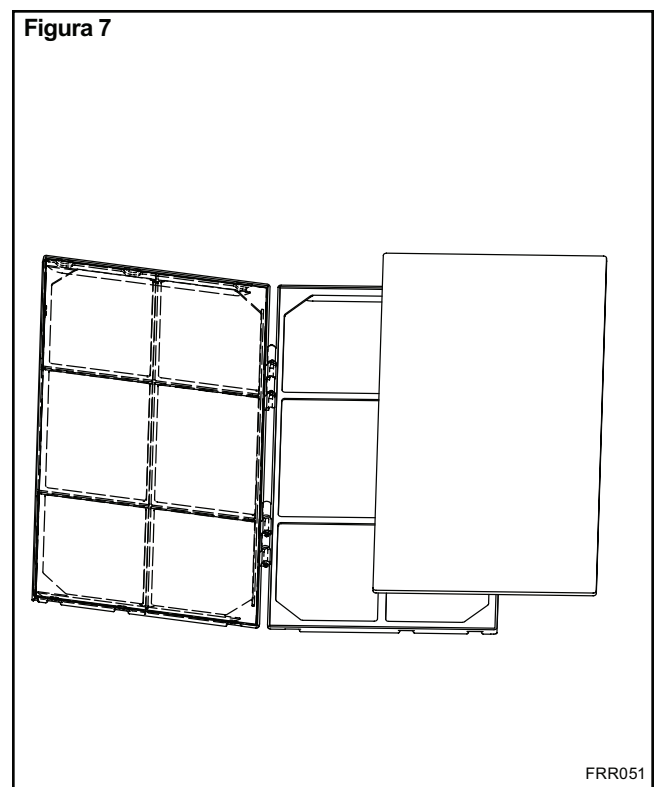
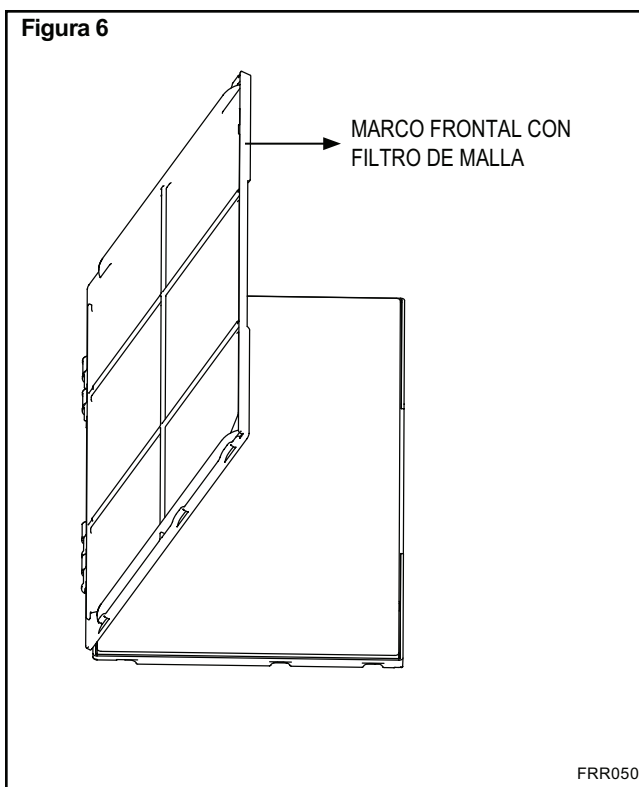
AVISO: La agarradera del filtro solo se puede meter al marco en una dirección. Si la ficha del marco no permite que se meta, deslice la agarradera hacia la otra dirección. No debe de forzar la agarradera en el marco.

PASO 5. Reinstale el filtro en la unidad. Siga las instrucciones en la parte interior de la puerta frontal.

Instrucciones de instalación del filtro de carbón

- PASO 1.** Siga las instrucciones de la parte interior de la puerta del filtro para quitar el filtro de la unidad.
- PASO 2.** Agarre el filtro de la parte superior y deslice la agarradera hacia afuera como se muestra en la figura 4.
- PASO 3.** Acueste el filtro y abra la puerta del marco delantero para quitar el filtro sucio, si usted ya tiene instalado un filtro de carbón, como se muestra en la Figura 6.
- AVISO:** Asegúrese que el marco con la malla esté hacia usted.

- PASO 4.** Coloque el nuevo filtro de carbón en la parte superior del marco del filtro trasero. El filtro de carbón se ha cortado a las dimensiones correctas y debe encajarse con el marco como se muestra en la figura 7.
- AVISO:** El filtro de carbón no se debe reutilizar, se debe reemplazar cada tres meses para la eficiencia óptima.
- PASO 5.** Coloque de nuevo la agarradera del filtro al filtro, para que se mantengan juntos los marcos, y meta el ensamblado a la unidad. Siga las instrucciones en la puerta.
- AVISO:** La agarradera del filtro solo se puede meter al marco en una dirección. Si la ficha del marco no permite que se meta, deslice la agarradera hacia la otra dirección. No debe de forzar la agarradera en el marco.



ESTA PAGINA ESTA EN BLANCO INTENCIONALMENTE

Operación de Panel de control

Vamos a ver como se controla su aire acondicionado. En el panel de control, a la izquierda del boton de encendido (🔌) esta una pantalla de cristal líquido (LCD). Todos los botones de las funciones del panel de control iconos de modo se muestran en Figura 8.

Encender Presione el botón (🔌) para encender el aire acondicionado. El botón se iluminará para indicar que está encendido. La luz del fondo del interruptor de encendido automáticamente se disminuirá al 20% de intensidad despues de 15 segundos de inactividad. El control remoto se puede utilizar para encender/apagar la unidad (vea el control remoto).

Demostración La pantalla es un LCD de alta eficiencia con una luz del fondo incorporada. La luz del fondo tiene una función de disminución automática de dos pasos. Después de 15 segundos de inactividad la pantalla se disminuirá al 20% de intensidad. Después de 120 segundos adicionales, la pantalla se apagará. Tocando los botones automáticamente encendera la pantalla.

Hay cuatro botones de control en cada lado de la pantalla.

Botón de Sistema - Permite que el usuario seleccione entre las operaciones de AUTO, enfriamiento ❄️, calefacción ☀️ o solo abanico 🌀. La pantalla avanzará al próximo modo cuando presione el botón de SYSTEM. Al mismo tiempo, se aparecerán un icono nuevo, el modo se mostrara por 2 segundos, y luego regresará a mostrar las temperaturas por los otros modos que no sean el abanico. Cuando la función de calefacción no está disponible, el sistema automáticamente cambiará el modo de calefacción ☀️ y AUTO.

Nota: Después de que el compesor se detiene el ventilador continuará funcionando durante 30 segundos.

Botón de modo de abanico - Seleccione entre la operación AUTO o CONTINUOUS. En el modo AUTO el abanico se prende y se apaga cuando está funcionando el compresor o la calefacción está funcionando.

En el modo de solo abanico AUTO no es disponible. La pantalla indica En el modo de CONTINUOUS la velocidad del abanico se determina por su selección del boton de FAN SPEED.

Botón de velocidad del abanico - Se utiliza para seleccionar entre velocidades del abanico. Dependiendo de su modelo, puedes seleccionar entre LOW (baja), MED (mediano), HIGH (alta), MAX y AUTO. Los ajustes que no están en modelos de SL, EL, YL o de enfriamiento plus. Cuando se presione el botón FAN SPEED la velocidad del abanico temporalmente se mostrara en la pantalla, cuando se selecciona AUTO, un icono de la velocidad de abanico (un triángulo) se mostrará para indicar la nueva velocidad. La velocidad del abanico varía dependiendo del ajuste de la temperatura en el panel de control y la temperatura de la habitación. Por ejemplo, si estas en el garaje con la puerta abierta, el aire acondicionado siente la diferencia entre la temperatura ajustada, y la velocidad del abanico se cambiaria a MAX. Cuando la temperatura ajustable se logre, la velocidad del abanico se regresará al ajuste original.

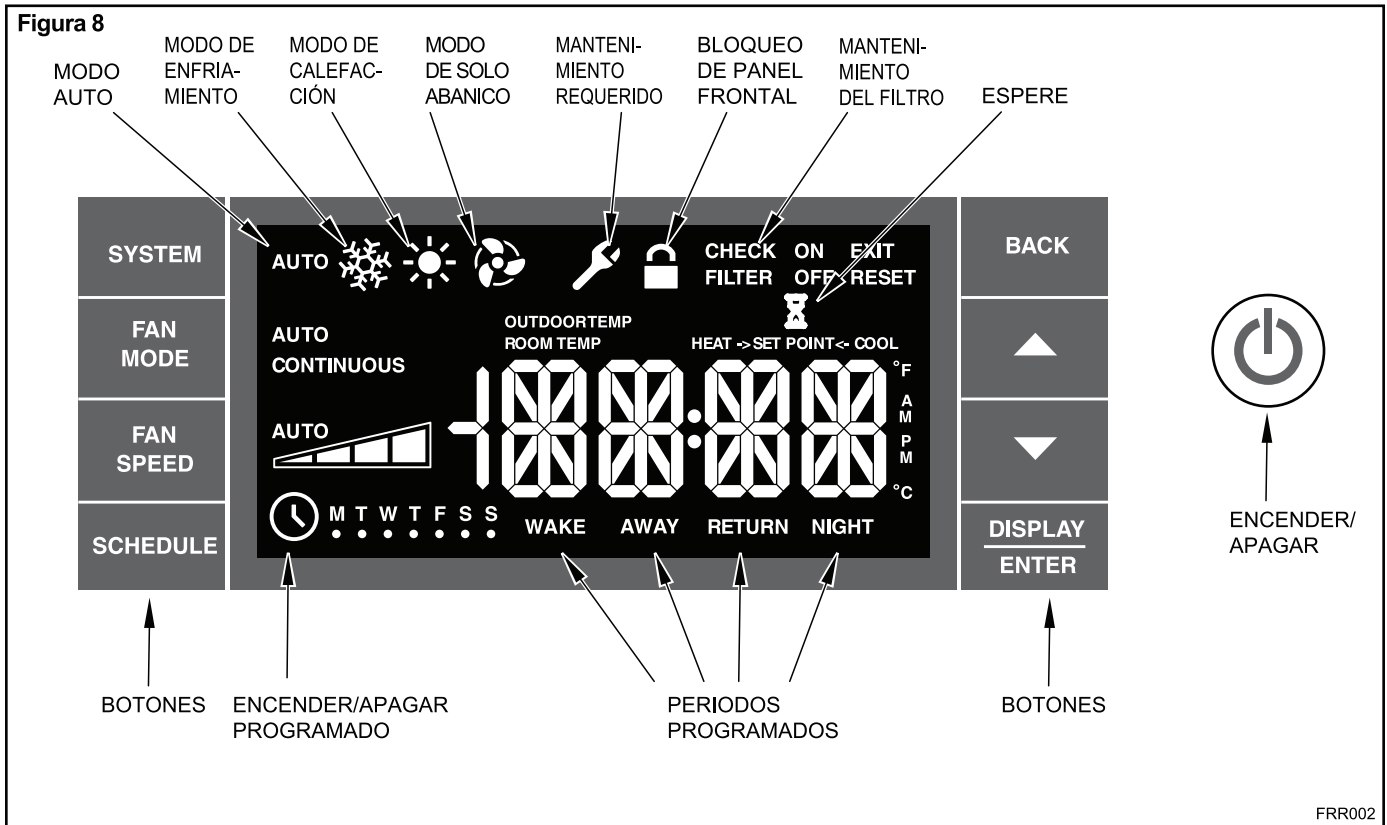
Botón de programación - El botón de SCHEDULE enciende y apaga la función de programación. El día de la semana actual se indica debajo del símbolo del día. Oprimiendo el botón SCHEDULE otra vez se apagará la función de programación. La función de la programación viene pre programada con niveles que ahorran energía (Apéndice 1) . Los valores se pueden cambiar con la función de programación de horario. (Vea Termostato programable).



Flechas de arriba y abajo - Para cambiar la temperatura de la habitación oprima los botones ▲ o ▼. Los limites máximo y mínimo programados en fabrica son 60° F (16° C) y 99° F (37° C). Estos botones también se utilizan para navegar entre opciones cuando se esté utilizando el modo de usuario o mantenimiento.





Botón para regresar (BACK) - Este botón se utiliza cuando un artículo en el menú tiene una "b". Regresará el usuario al menú previo.




Botón de pantalla/ingresar (DISPLAY/ENTER) - Este botón se utiliza junto con el menú de usuario y el modo de mantenimiento para seleccionar artículos para mostrar la temperatura ambiente, la temperatura exterior y el tiempo. Si la pantalla se deja inactivo durante 10 segundos se regresa al punto de ajuste de la temperatura.

Alertas- El sistema de control tiene cinco alertas del cliente.




REVISE EL FILTRO- Cuando se tiene que revisar el filtro, un icono  se aparecerá en la pantalla. La palabra **RESET** se aparecerá junto al botón **BACK**. La alerta  sale cuando el abanico ha funcionado más de 500 horas. El usuario puede reiniciar esta alerta (vea Funciones Especiales, reinicio de filtro).




Requiere mantenimiento - Cuando se requiere mantenimiento, un icono de servicio se aparecerá en la pantalla . Este icono no se desaparecerá hasta que se arregle el problema. Si el icono de servicio  relampaguea, el mantenimiento solo lo podrá hacer personal de servicio calificado. Cuando el icono  esté en espera el sistema percibe una condición anormal. Por ejemplo, las rejillas pueden estar bloqueadas. Ya cuando se reestablezca el flujo de aire el icono  se desaparecerá.


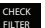
Espera - El icono de espera  se ilumina cuando el bloqueo del compresor esta activado. Cuando el compresor se apaga, se debe permitir que las presiones del sistema se nivelen. Un temporizador incorporado iniciará un periodo de 240 segundos. Si una demanda de enfriamiento o calefacción ocurre en la duración de este periodo, el icono  se mostrará, para avisar que el compresor no funcionará hasta que los 240 segundos se han completado. Esto previene daños a la unidad si inicia demasiado rápido después que se ha apagado. Normalmente el icono  está apagado. Cuando se termine el periodo el aire acondicionado iniciará. La calefacción eléctrica no se afectará.

Alerta de protección (congelación) - Si la protección de congelación está activa, la pantalla mostrará "FRZ". Ya que las condiciones de la habitación se corrijan, se desaparecerá el "FRZ" de la pantalla. Si la temperatura de la habitación es menos de 40° F (4° C), y el aire acondicionado tiene la calefacción eléctrica, la protección de la congelación de habitación se activará. El aire acondicionado iniciará el abanico alto y la calefacción eléctrica hasta que la habitación alcance 46° F (8° C). Oprimiendo el botón **BACK** retrasará la función de protección de congelación por cinco minutos.



Batería baja - Cuando esté baja la batería, se mostrará  como una advertencia antes de otros mensajes tal como "COOL". Si la alerta está presente, la batería en la unidad de control se tiene que cambiar. Refiere al procedimiento de cambiar la batería. Ya cuando se cambie la batería, se apagará la alerta. Refierase a las sugerencias a problemas frecuentes. Bajo condiciones normales la batería debe de durar por más de 7 años.

Funciones especiales

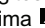

Bloque del panel  - Los botones del panel frontal se pueden bloquear para evitar la operación accidental. Para bloquear el panel frontal, oprima **SCHEDULE** y **DISPLAY ENTER** por tres segundos. Un beep doble indica que el modo se cambio, y se aparecera  en la pantalla. Para desbloquear la pantalla, oprima **SCHEDULE** y **DISPLAY ENTER** por tres segundo y  ya no estará visible.

Reinicio del filtro - Si el icono  se muestra, el timer se puede reiniciar si oprimas el botón **BACK** por tres segundos. Un beep indica que el sistema de  fue reiniciado y el  y la palabra **RESET** ya no serán visibles.

Funciones de menú de usuario- Permite cambiar lo siguiente: la hora, formato de 12/24 hora reloj, encender/apagar el beep, encender/apagar el dim, encender/apagar la calefacción de emergencia (EMHT), ajuste automático de BAND, F/C, encender/apagar FRZ, la temperatura del sensor y la temperatura compensada y ajustada.

Para entrar al menú de usuario, oprima **DISPLAY ENTER** por tres segundos, la selección de la hora (TIME) se aparecerá. Utilice  o  para ver el menú. Oprima **DISPLAY ENTER** para iniciar la función deseada. Si el menú de usuario no está activado por 15 minutos se apagará y regresará a la pantalla original. Para manualmente salir del menú de usuario, oprima **BACK**.

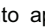
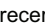


Primero los dígitos de la hora empezarán a relampaguear. El usuario oprima  o  para cambiar la hora. Para cambiar de AM-PM, las horas se deben de avanzar por 12 horas. Oprima **DISPLAY ENTER** para cambiar los minutos. Para salir del procedimiento, oprima **BACK**.



Los dígitos de los minutos parpadean. Presione  ó  para cambiar los minutos. Presione **DISPLAY ENTER** para cambiar los días. Para salir del procedimiento presione **BACK**.


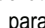
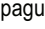
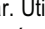




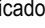




El punto debajo los días de la semana empezara a relampaguear, para indicar que día de la semana es. Si el usuario no ha programado el día, comenzará en Lunes. Si el usuario está haciendo cambios a información que ya esté programado, el punto aparecerá en el día que cree que es. El usuario puede oprimir  o  para mover el punto a la izquierda o derecha entre los días. Para regresar a los ajustes de la hora el usuario oprima **DISPLAY ENTER**. Para salir del procedimiento oprima **BACK**.



Martes se ha seleccionado. El usuario oprima **DISPLAY ENTER** para regresar a los ajustes de la hora. Para aceptar los cambios y salir del procedimiento, el usuario oprima **BACK**.

FRR062

Ajuste de la hora-Cuando utilice el menú de usuario en el panel de control, utilice  y  para seleccionar la hora. Oprima **DISPLAY ENTER** la hora empezará a relampaguear. Utilice  y  para programar la hora y los minutos relampaguearán. Utilice  y  para programar los minutos, luego oprima **DISPLAY ENTER**.

AVISO: Si el indicador de AM o PM no es correcto, oprima **DISPLAY ENTER** hasta que la hora relampaguea, utilice  y  para que la hora avance 12 horas, luego oprima **DISPLAY ENTER**. El día de la semana saldrá en la pantalla. Utilice  o  para seleccionar el día de la semana actual. Oprima **BACK** para guardar. Oprima  para seguir al próximo menú 1224.

AVISO: Si oprime **BACK** otra vez, saldrá del menú de usuario. O simplemente deje el control inactivo por 15 segundos y regresará a su operación normal.



Oprima **▲** o **▼** para alternar entre el formato de la pantalla de 12hr y 24 hrs. Para aceptar los cambios y salir del procedimiento, oprima **BACK**.

FRR063

Tipo de reloj - Puedes elegir entre un reloj de 12 horas y 24 horas. Cuando se muestra 1224 en la pantalla oprima **ENTER** y luego **▲** o **▼** para alternar entre 12 horas y 24 horas. Para aceptar los cambios y salir del procedimiento y regresar a la pantalla de 1224, oprima **BACK**. Oprima **▲** para continuar al próximo menú de beep.



Oprima **▲** o **▼** para apagar o encender el beep. Para aceptar los cambios y salir del procedimiento, oprima **BACK**.

FRR064

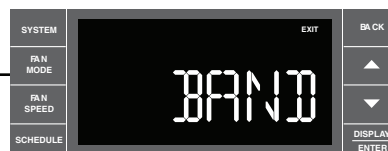
Alertas audibles- Puedes elegir en que su control suena con un beep cuando se entra al menú. Cuando BEEP sale en la pantalla oprima **ENTER** y luego **▲** o **▼** para decidir entre encender y apagar. Para aceptar los cambios y regresar a la pantalla, oprima **BACK**. Oprima **▲** para continuar al próximo menú de EMHT en los modelos de Kühl+ o F C para los modelos Kühl.



El usuario oprime **▲** o **▼** para decidir entre apagar o encender la calefacción de emergencia. Para aceptar los cambios y salir del procedimiento, oprima **BACK**.

FRR065

Calefacción de emergencia - Los modelos de (YS, YM, YL) con bombas de calor de Kühl+ tienen una característica especial que mantienen a la unidad proporcionando calor. Cuando se muestra EMHT en la pantalla, oprima **ENTER** y luego **▲** o **▼** para alternar entre encender y apagar. Para aceptar los cambios, oprima **BACK** para regresar a la pantalla de EMHT. Oprima **▲** para continuar al próximo menú de BAND, en el caso improbable de una avería del compresor, la bomba de calor pasaría a operar en el modo de calor eléctrico hasta que las reparaciones puedan ser hechas.



El menú permite que el usuario ajuste el intervalo mínimo entre la programación de "Auto Cool" (enfriamiento automático) y "Auto Heat" (calefacción automática). Oprima **▲** o **▼** para ajustar. El rango de ajuste es entre 3°F y 10°F.

FRR066

Cambio Automatico de 'Rango' - Para los modelos de Kühl+ con cambio automático puedes seleccionar la temperatura entre enfriamiento y calefacción de el rango. El rango esta ajustada en fabrica a 3°F (-16° C). El rango es ajustable de 3°F (-16°C) a 10°F (-12°C). Cuando se muestra BAND en la pantalla, oprima **ENTER** y luego **▲** o **▼** para alternar entre 3°F y 10°F. Para aceptar los cambios oprima **BACK** para regresar a BAND. Presiona **▲** para ir al siguiente menú FC.

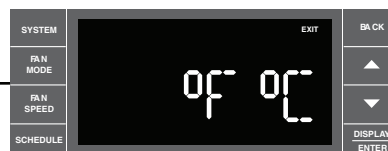


El usuario oprime **▲** o **▼** para elegir entre AUTO, Dim 20, OFF (apagar). Para aceptar los cambios y salir del procedimiento, oprima **BACK**.

Dim auto automáticamente disminuye el brillo de la pantalla y lo apaga después de un periodo de tiempo. El ajuste de Dim 20, es parecido al AUTO, pero previene que la pantalla se apague.

La luminosidad mínima es de 20%. El ajuste de Dim Off (apague el difuminara) hace que la pantalla funcione a su luminosidad máxima. Oprima **▲** para continuar al próximo menú de °F y °C.

FRR067



El usuario oprime **▲** o **▼** a la vez para alternar entre Fahrenheit o Celsius. Para aceptar los cambios y salir del procedimiento, oprima **BACK**.

FRR068

Selección entre Fahrenheit / Celsius - Puedes elegir la temperatura en °F y °C Cuando °F y °C esté en la pantalla oprima **ENTER** y luego **▲** o **▼** para alternar entre °F y °C. Para aceptar los cambios y regresar a la pantalla oprima **BACK**. Oprima **▲** para continuar al próximo menú de FRZ.



Oprima **▲** o **▼** para elegir entre apagar o encender la protección de congelación. Para aceptar los cambios y salir del procedimiento, oprima **BACK**.

FRR069

Protección de congelación - Los modelos Kühl+ tienen una característica especial diseñado para mantener la temperatura del ambiente a mas de 40° F (4° C), al momento que baje la temperatura a menos de 40°F (4°C) utilizara la calefacción eléctrica cada vez que ocurre eso. Con esta característica activada, la unidad iniciará el uso de la calefacción en alto hasta que la temperatura llegue a 46° F (8° C). Cuando se demuestra FRZ en la pantalla, oprima **DISPLAY ENTER** y luego **▲** o **▼** para alternar en "ON" (encender) y "OFF: (apagar). Para aceptar los cambios y regresar a la pantalla de FRZ, oprima **▲**. Oprima **BACK** para continuar al próximo menú de TO.



Oprima **▲** o **▼** para aumentar / disminuir la temperatura de programación (temperature offset TO) para el sensor de temperatura de la habitación. (la programación máxima = +/- 8 grados °F) Oprima **BACK** para aceptar los cambios y salir del procedimiento.

FRR070

Función de muestreo de temperatura automático - La función de muestreo automático de temperatura mantiene una temperatura equilibrada en toda la habitación haciendo circular el aire durante 30 segundos una vez cada 9 minutos, cuando la unidad no esta funcionando y se puso a modo de refrigeración o calefacción. Haciendo circular el aire la unidad puede detectar las zonas calientes o frías en la habitación y así operar en frío o calor según sea necesario. Esta función solo esta disponible cuando el modo de ventilador está configurado "Auto" y en modo "COOL" o "CALOR". (La función de calefacción solo esta disponible en unidades Kühl).

Programación de temperatura - En ciertos casos, el termostato incorporado en unidad no demostrará la temperatura que se siente en la habitación.

Esto puede ser debido al tamaño de la unidad, la carga que tiene u otros factores. Friedrich le permite que elija la programación de temperatura apropiada para que la unidad demuestre la temperatura correcta. Generalmente la programación se ajusta en la fábrica con una interpretación exacta de 0° F (-18° C). Para cambiar la programación oprima TO cuando esté en la pantalla, y luego oprima **▲** o **▼** para alternar entre **DISPLAY ENTER** 0° F (-18° C) y 8° F (-13° C). La mayoría del tiempo solo es necesario ajustar la programación entre 0° F (-18° C) y 2° F (-17° C). Para aceptar el cambio oprima **BACK** y regrese a la pantalla de TO. **▲** Oprima para continuar al proximo menú de TIME.

Para tener acceso a cualquier menú utilice **▲** o **▼** para poder elegir entre los menús.



El usuario presiona **▲** o **▼** para seleccionar entre ATSF activado o desactivado. Para aceptar los cambios y salir del procedimiento, oprima **BACK**.

FRR072



FRR073



FRR074



Para mostrar solamente. Ninguna opción de usuario seleccionable.

FRR075



Versión de Firmware - Cuando VER es mostrado presiona **DISPLAY ENTER**. La versión de Firmware se muestra como el dígito izquierdo Mayor) y el dígito derecho (Menor). Este número de versión se debe utilizar junto con el modelo y número de serie para el servicio.

FRR076

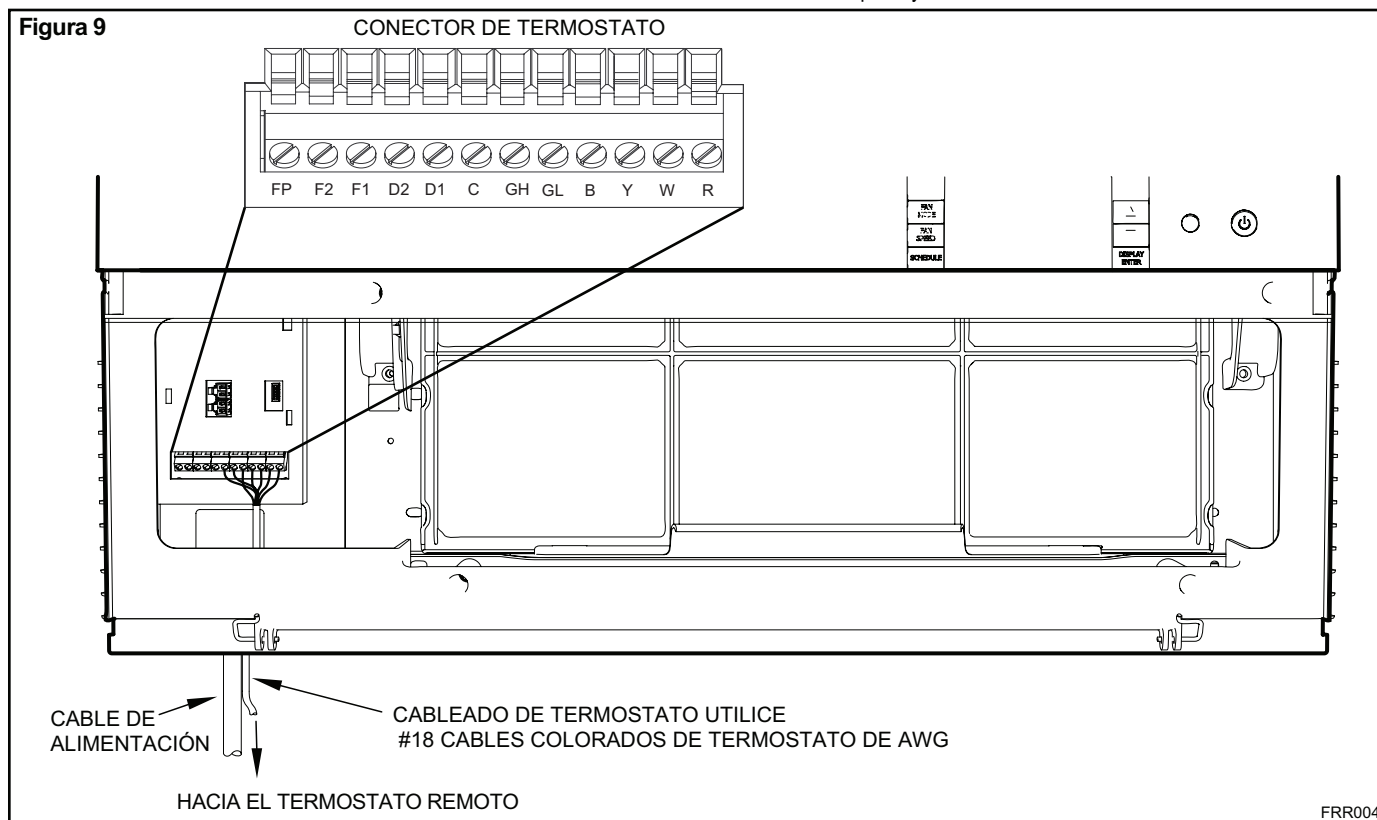
Añadir un termostato remoto

Termostato remoto - Un termostato externo se puede añadir al aire acondicionado para suministrar detección y control de temperatura remoto. El conector de la interfaz del termostato está ubicado detrás de la rejilla frontal. Para activar la operación del termostato remoto, quite el jumper entre terminales FP y F2 en el bloque de terminales. Conecte el termostato utilizando figura 9 y tabla 2 como una guía.

4. Cambiando los modos en el termostato no iluminará la pantalla de panel de control de LCD.

Selección de termostato remoto

Friedrich recomienda el uso de cualquiera de los RT4 o RT5. RT4 es un termostato con pantalla digital de un control de una velocidad de abanico. El RT5 cuenta con una pantalla digital, selección de dos velocidades de abanico, batería de respaldo y luz de fondo.



Código de Terminal	Función del cable de conexión
C	Terminal de tierra común
GH	Conexión de abanico a alta velocidad
GL	Conexión de abanico a baja velocidad
B	Conexión de la Válvula Reversible para la Bomba de calor
Y	Conexión para compresor
W	Conexión para calor
R	Alimentación de 24V del control electrónico del Termostato de Pared

Si conectas un termostato externo, todos los botones del panel de control serán discapacitados con las siguientes excepciones:

1. Órdenes de mantenimiento (oprime dos botones a la vez y un botón por tiempo extendido).
2. El botón de **DISPLAY ENTER** par la protección de la congelación.
3. El primer botón que se oprime iluminara la pantalla.

Otros termostatos se podrán utilizar siempre y cuando están configurados con la unidad. Para los modelos de enfriamiento, se debe utilizar un termostato de una sola fase con terminales de C, R, G, Y se debe utilizar. Para los modelos "E" de calefacción eléctrica, utilice un termostato de calefacción y enfriamiento de una sola fase con terminales de C, R, G, Y, W. Para las bombas de calefacción de modelo "Y" utilice un termostato de calefacción y enfriamiento de una sola fase con terminales de C, R, G, Y, W, B.

⚠ PRECAUCIÓN



Es la responsabilidad del instalador asegurar que todas las conexiones del cableado de control están con conformidad con las instrucciones de instalación.


La conexión inadecuada del cableado de control de termostato y/o manipulación de cableado interno de la unidad puede invalidar la garantía del equipo.

El no hacerlo puede resultar en daños a la propiedad, heridas y/o la muerte.


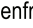

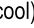
Operación de control remoto


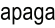
Control remoto - Refiérase a las figuras 11 y 12 durante la descripción de la operación.




Empezando - Instale dos (2) baterías de AAA en la parte trasera de la unidad designada para las baterías.


Operación - El control remoto debe de estar dentro de 25 pies del aire acondicionado (Para la operación efectiva refiérase a la figura 10). Oprima  para encender el remoto. El remoto automáticamente se apagará en 15 segundos si los botones no están en uso. El remoto debe de estar encendido para controlar la unidad.


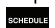

Botón de encendido- Enciende y apaga la unidad y el remoto.



Botón de sistema - Permite que el usuario elija entre la operación , de enfriamiento (cool) , calefacción(heat)  y solo abanico (fan only) . Cuando se oprima el botón la pantalla indicará cual modo se ha elegido a través de un mensaje. Cuando la función de calefacción no está disponible, el sistema automáticamente omitirá los modos HEAT(calefacción) y AUTO.

Botón de modo de abanico- Elija entre la operación automática() o . En el modo de AUTO, el abanico solo se prende y apaga cuando opera el compresor o si está activada la función de calefacción.

AVISO: AUTO no es disponible en el modo de solo abanico(FAN ONLY), la pantalla mostrara . Usted selecciona la Velocidad del abanico en el modo de  utilizando .

Botón de velocidad de abanico - Se utiliza para elegir entre la velocidad del abanico y la operación AUTO. Cuando se oprima , la velocidad del abanico temporadamente se muestra en la pantalla, y un ícono de la velocidad del abanico (triángulo) se cambia para indicar la nueva velocidad. La velocidad del abanico automáticamente varía dependiendo de la temperatura ajustada en el panel de control y la temperatura actual de la habitación. Por ejemplo, si está en el garaje con la puerta abierta, el aire acondicionado siente la diferencia entre la temperatura ajustada, y la velocidad del abanico se cambiaría a MAX. Cuando se logre la temperatura ajustada, la velocidad del abanico se regresará al ajuste original.

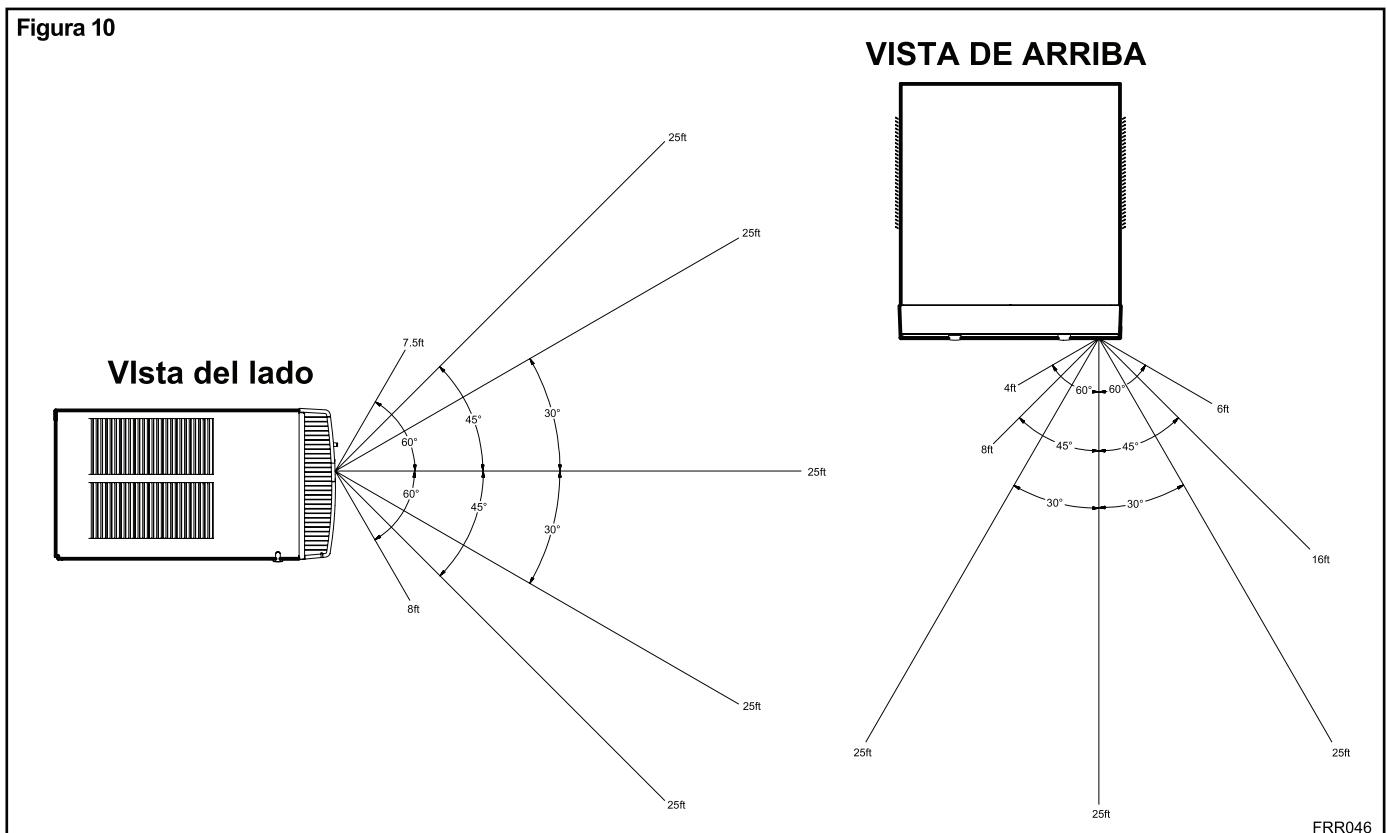
Botón de programación - El botón de  enciende y apaga la función de programación. Para apagar la función de programación oprime el botón  otra vez. Solo el ícono  de programación saldrá en la pantalla.

Flechas de arriba y abajo- Oprima los botones  o  para cambiar la temperatura de la habitación. Los límites máximos y mínimos programados en fábrica son 60° F (16° C) y 99° F (37° C). Estos botones también se utilizan para navegar entre opciones cuando se está utilizando el modo de usuario o mantenimiento.

Efectividad del remoto

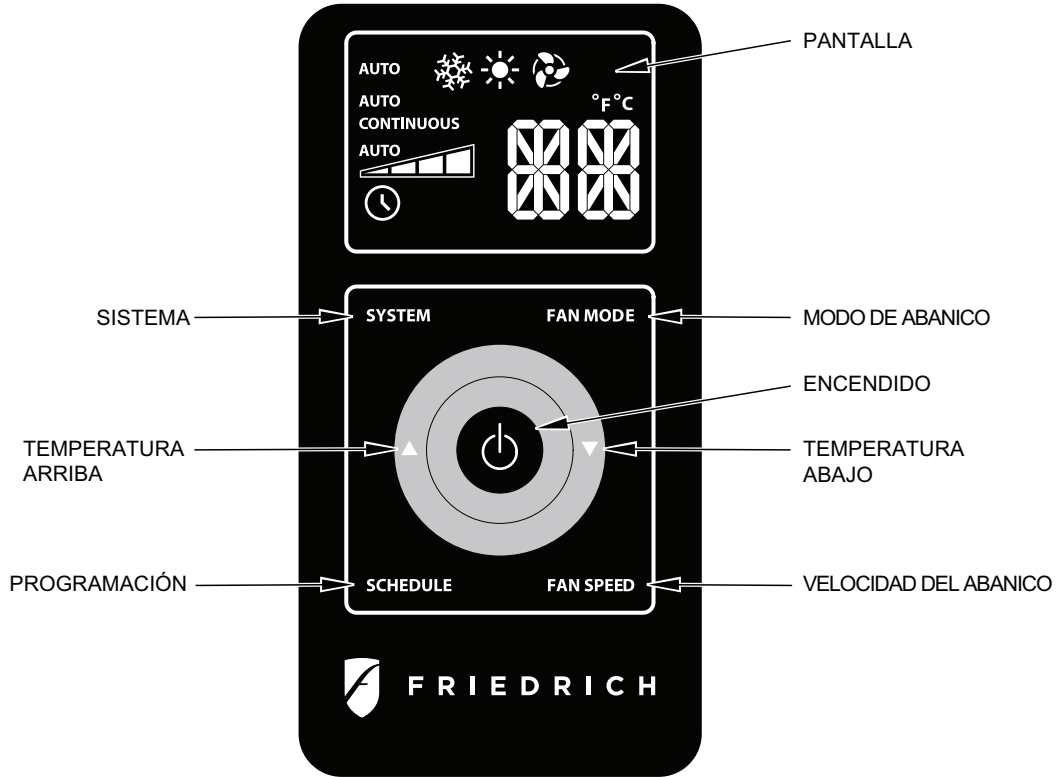
Remoto de mano - Tiene un rango de operación de 25 pies. La señal de infrarrojo del control remoto no debe tener obstrucciones para poder transmitir la señal del aire acondicionado. El control remoto tiene la habilidad de rebotar la señal de paredes y muebles, parecido a un control remoto de un televisor. El diagrama a continuación muestra un rango típico del control en una habitación estándar con paredes de 8 pies.

Figura 10



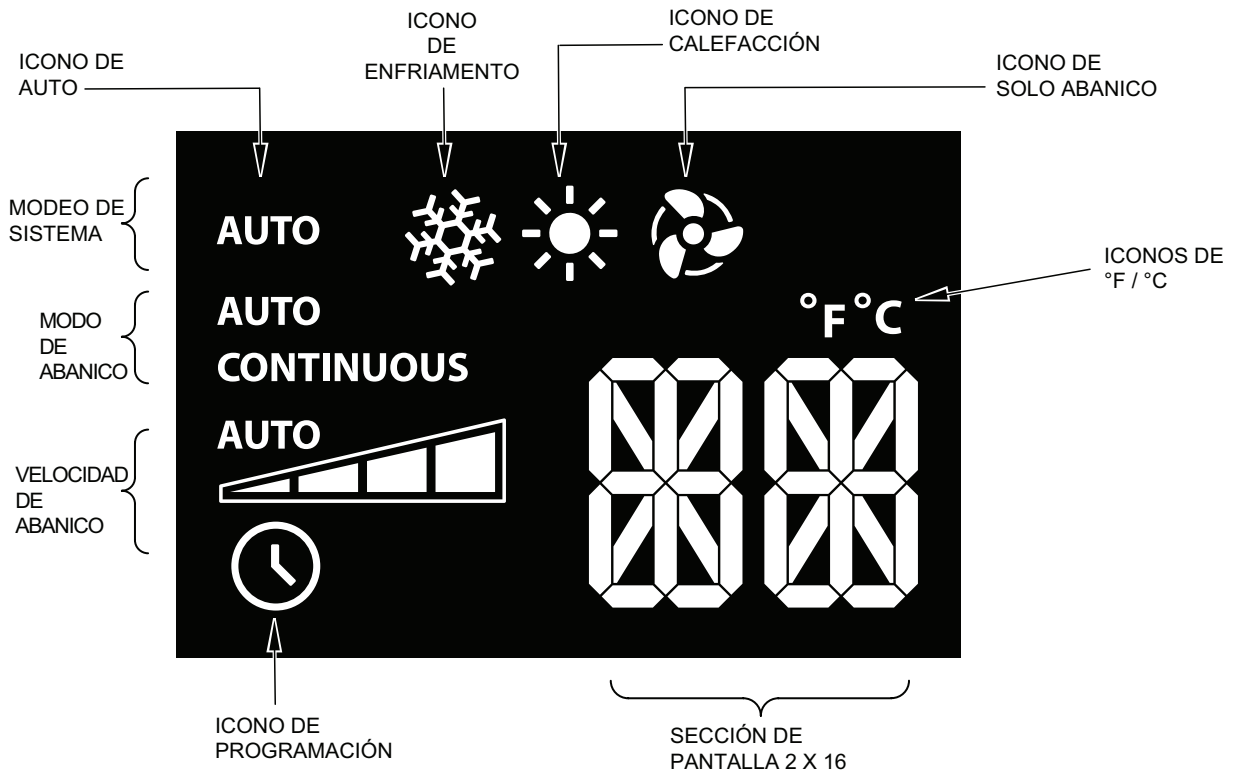
FRR046

Figura 11



FRR005

Figura 12



FRR006

Selección y ajuste de flujo de aire


Ajuste de dirección de flujo de aire

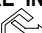
El paso del flujo de aire se puede ajustar para distribuir el aire a la izquierda o la derecha de la abertura de la descarga. Se puede dirigir hacia la izquierda, derecha, arriba y abajo para obtener la posición del flujo de aire óptimo.

Para ajustar la dirección del flujo de aire, mueva la palanca ubicada en el centro de las rejillas hacia la dirección deseada. Es normal que el flujo de aire salga más fuerte de un lado de las rejillas que el otro.

Control del aire fresco y de escape

Su aire acondicionado tiene la habilidad de permitir la entrada de aire fresco y escape del aire interior. La palanca de control está ubicada en la parte superior de la unidad (vea figura 13).

PARA PERMITIR LA ENTRADA DE AIRE FRESCO- Mueva la palanca a la posición de aire fresco (fresh air)  que permitiera la entrada de aire fresco hacia adentro. Esto es muy útil en los modos de solo abanico (fan only), y enfriamiento (cooling mode) que se utilice con el compresor.

PARA PERMITIR EL ESCAPE DEL AIRE INTERIOR - Mueva la palanca a la posición de escape (exhaust) . Esto permite que el aire interior se escape al exterior de la vivienda. Esto es muy útil cuando el aire se sienta bochornoso, o que alguien fume adentro o cualquier otro olor.


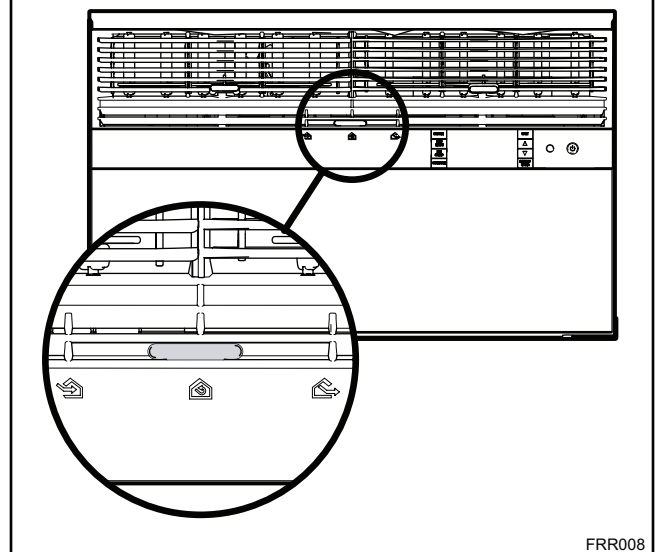
Funcionamiento Máximo- Mueva la palanca a la posición de recirculación . Este es el modo mas eficiente para el enfriamiento y calefacción.

Figura 13




FRR008

Instrucciones de instalación

LEA ESTO PRIMERO! Requisitos eléctricos

⚠ ADVERTENCIA



Peligro de choque eléctrico

Asegúrese de que su enchufe tiene la misma configuración eléctrica que el aire acondicionado. Si es diferente, consulte a un electricista autorizado.

No utilice adaptadores de enchufe.
No utilice un cable de extensión.
No quite la clavija de tierra.

Siempre conecte a un enchufe de tres clavijas.
El no cumplir con estas instrucciones puede ocasionar la muerte, un incendio o un choque eléctrico.

IMPORTANTE: Antes de empezar la instalación de su aire acondicionado, revise los códigos eléctricos y la información a continuación. Su aire acondicionado debe de estar conectado a una conexión con la misma corriente alterna (AC) de voltaje y amperaje que está indicada en la placa del chasis.

PROTECCIÓN DE CIRCUITO - Utilice un enchufe de un solo circuito. Un circuito sobrecargado puede causar el mal funcionamiento de su aire acondicionado, por eso es importante la protección eléctrica adecuada. Utilice un fusible de tiempo de retraso (TIME DELAY) o un disyuntor tipo HACR cuando inicia su unidad. Si existe alguna duda consulte su distribuidor.

Refiérase a la placa eléctrica ubicada en el chasis del aire acondicionado (vea página 2) para elegir el fusible o amperaje del disyuntor adecuado para su modelo (vea tabla 1 en página 6 para el tipo de enchufe).

El cable de alimentación tiene una conexión con una clavija de tierra y se requiere un enchufe correspondiente.

Las siguientes instrucciones son para modelos de chasis estándar, están clasificadas por las primeras letras del modelo en tabla 3.

Tabla 3	
DESIGNACIÓN DE MODELO	TAMAÑO (H x W x D)
CHASIS CHICO SS, ES, YS	15 15/16" x 25 15/16" x 29" (405 mm x 660 mm x 737 mm)
CHASIS MEDIANO SM, EM, YM	17 15/16" x 25 15/16" x 29" (455 mm x 660 mm x 737 mm)
CHASIS GRANDE SL, EL, YL	20 3/16" x 28" x 35 1/2" (513 mm x 711 mm x 902 mm)


⚠ ADVERTENCIA



Peligro de partes móviles

* No debe de operar la unidad fuera de su marco o sin la rejilla frontal.
* No ponga sus manos junto a las aspas del abanico.
El no hacerlo puede resultar en heridas graves.

⚠ PRECAUCIÓN

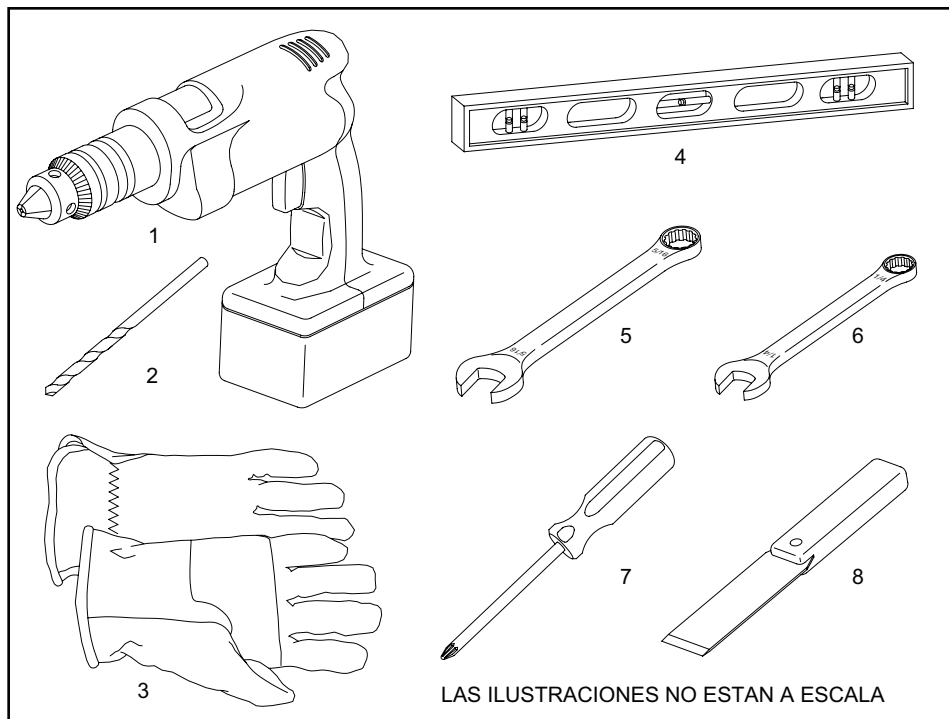


Peligro de Peso Excesivo

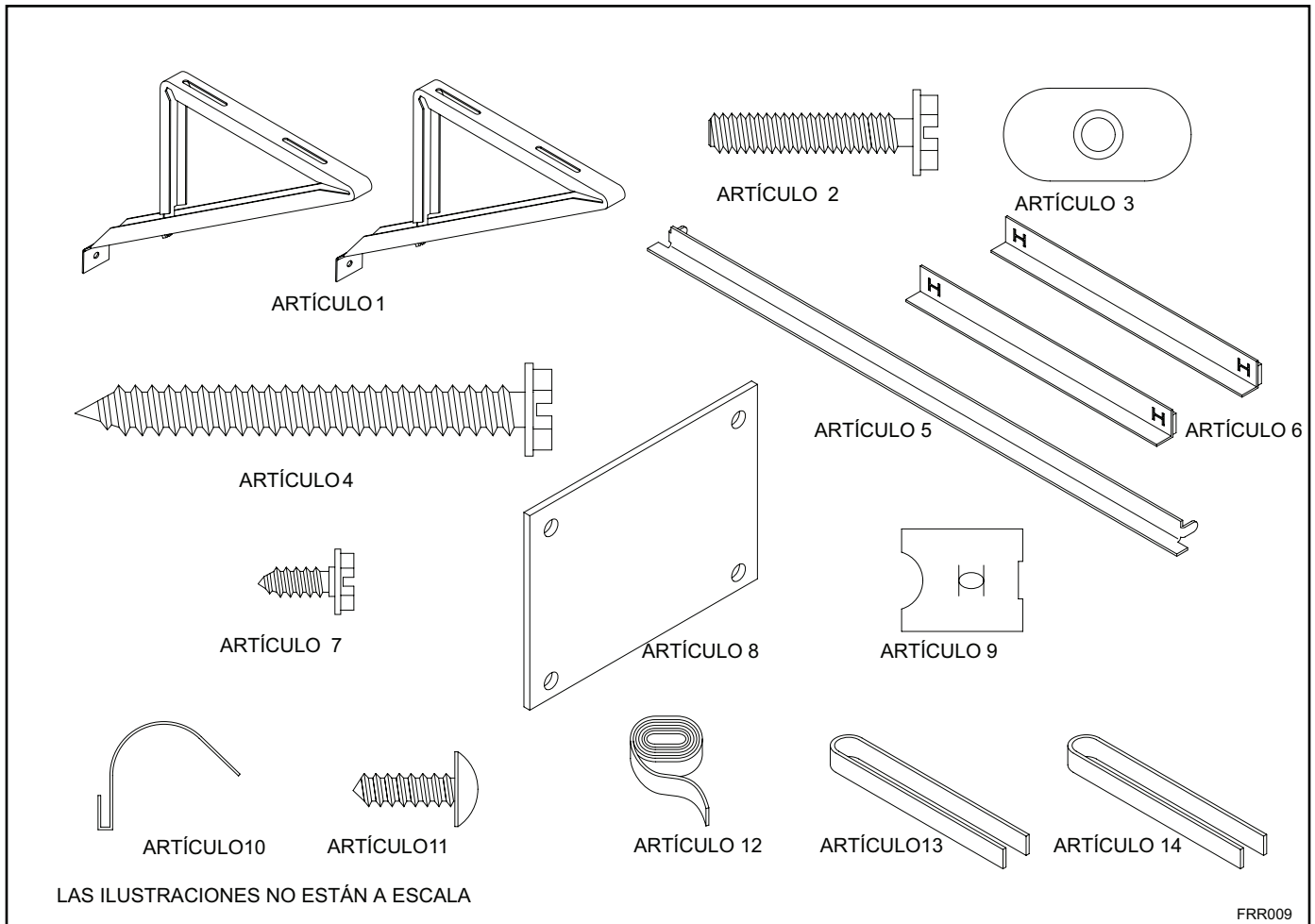
Dos o más personas deben de instalar el aire acondicionado.
El no hacerlo puede resultar en dolor de espalda ú otras heridas.

Herramientas recomendadas

1. Taladro eléctrico
2. Broca 5/32"
3. Guantes
4. Nivel
5. Llave mixta de 5/16"
6. Llave mixta de 1/4"
7. Desarmador plano #2
8. Espátula.



INSTALACIÓN DE ARTÍCULOS DE FERRETERÍA Y DETALLE DE ACCESORIOS



Accesorios para la instalación en la ventana

NUM DE PART	DESCRIPCIÓN	CANT.
PIEZAS DE MONTAJE DEL TABLÓN		
8	TABLÓN (MASONITE)	1
9	"J" TYPE SPEED NUT	4
10	PRESILLA DEL TABLÓN (ACERO)	4
11	TORNILLO, #8 x 1/2" PHILLIPS TRUSS HD	4
SELLO DE VENTANA		
12	JUNTA DE SELLO (VINYL)	1
13	JUNTAS DE SELLO DE VENTANA (ESPUMA OSCURA)	1
14	JUNTA DE SELLO DE CHASIS (ESPUMA CLARA)	1
PIEZAS DE MONTAJE		
1	MÉNSULA DE SOPORTE	2
2	TORNILLO DE CABEZA HEXAGONAL, 10-24x1"	4
3	10-24 TUERCA PLANA DE SOLDADURA	4
4	TORNILLO, LAMINA DE #12 A x 2"	7
MONTAJE DE ANGULO DEL TABLÓN		
5	ANGULO DE ARRIBA	1
6	ANGULO DE LADO	2
7	TORNILLO, LAMINA DE #8 x 3/8"	2

Accesorios para la instalación en la pared

NUM DE PART	DESCRIPCIÓN	CANT
PARTES DE MONTAJE		
4	TORNILLO, SHEET METAL #12A x 2"	7
14	EMPAQUE PARA SELLADO DE CHASIS (LIGHT FOAM)	1

AVISO: Modelos Kühl + no vienen con componentes para montar en ventanas. Debe de comprar aparte un estuche de instalación en ventanas cuando monta modelos de enfriamiento y/o calefacción.

KWIKS – Para modelos ES y YS.

KWIKM – Para modelos EM y YM .

KWIKL – Para modelos EL y YL.

Instalación de ventanas estándar

NOTE: Los artículos de ferretería y los accesorios utilizados en la instalación se muestran en la página 18. Cada pieza se refiere por su número de artículo.

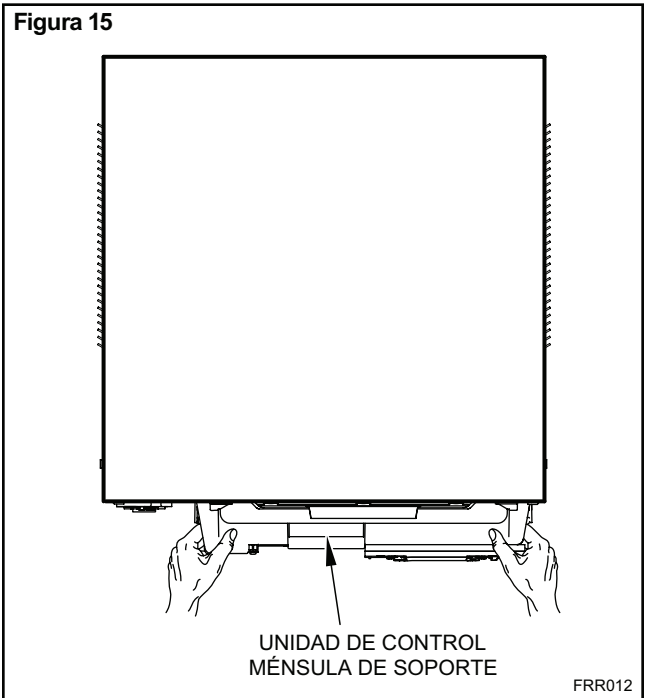
PASO 1. Quite el tornillo de la derecha para quitar la retención de la entrada del chasis (vea figura 14), aparte el tornillo para utilizarlo después (paso 12). Quite y deshágase de los dos tornillos y arandelas de retención en la parte trasera de la unidad (vea figura 14)

⚠ PRECAUCIÓN	
 <p>Utilice las agarraderas de ambos lados</p>	<p>Uso de las agarraderas Utilice las agarraderas de ambos lados para sacar la unidad. No empuje, jale o levante del apoyo central.</p>

PASO 2. Mantenga la unidad firme, utilice las agarraderas de ambos lados de la ménsula de apoyo de la unidad de control para sacar el chasis de la unidad (vea figura 15)

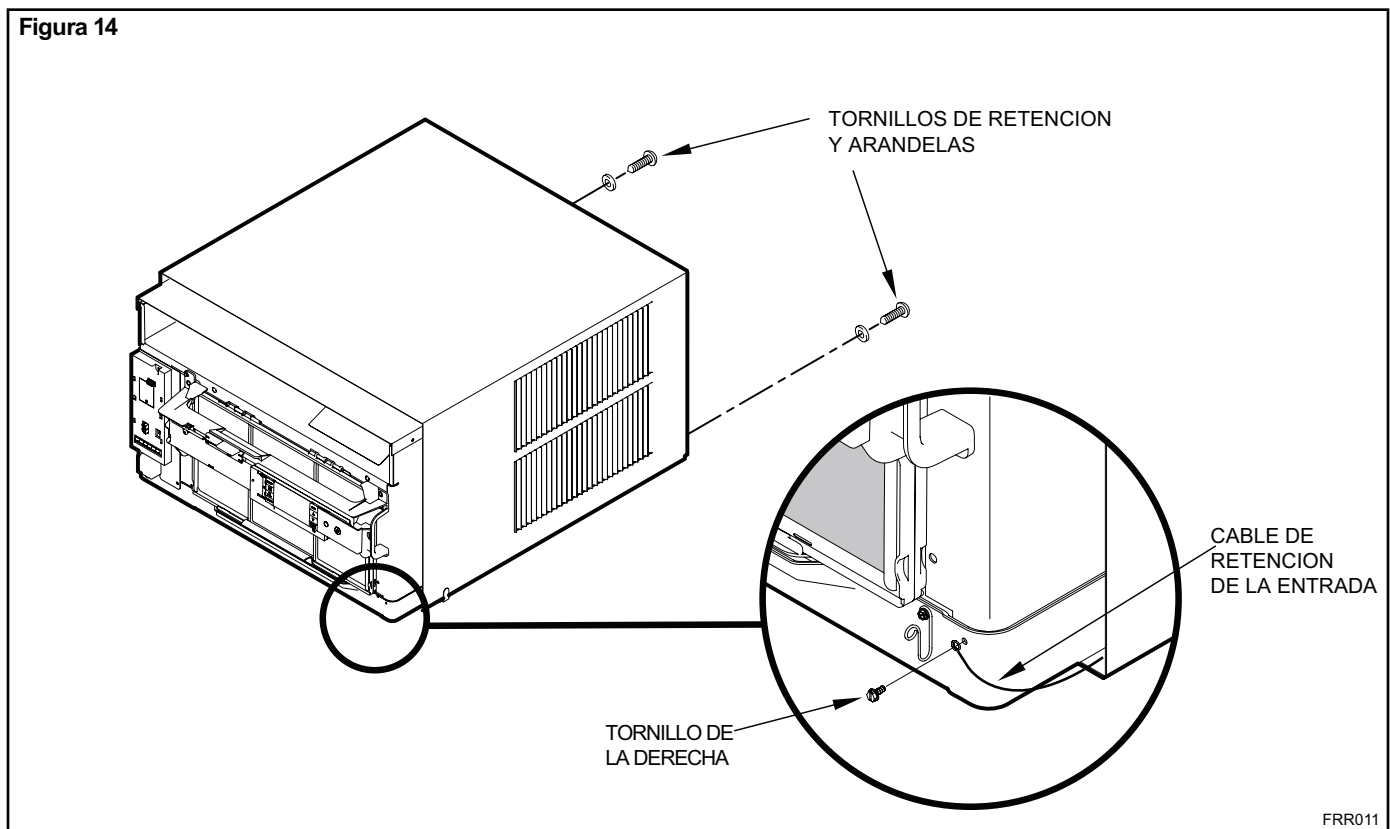
PASO 3. Quite los bloques de espuma que vienen con el compresor (vea figura 16) Inspeccione la bandeja de la base por pedazos de espuma del bloque y tire. No debe de remover otras piezas de espuma.

Figura 15



PASO 4. Junte las puntas del alfeizar inferior (vea figura 17, detalle B-2) con las presillas del ángulo del lado para sujetar los ángulos (artículo 6). Junte las puntas del ángulo superior (artículo 5) con las presillas del ángulo del lado (vea figura 17, Detalle B-1). Instale dos tornillos (artículo 7) para fijar los ángulos del lado y superior al gabinete (vea figura 17, Detalle B-1).

Figura 14



⚠ PRECAUCIÓN



Quite los bloques de empaque

Antes de operar la unidad quite los bloques de espuma .

El no hacerlo puede resultar en daños a la unidad, por lo cual la garantía no se hará responsable.

PASO 5. Revise el alféizar y marco de la ventana para asegurar que están en buenas condiciones. Repara donde sea necesario.

PASO 6. MONTAJE DE GABINETE - Levante la ventana inferior 1/4" más que de la altura del gabinete. Cuidadosamente introduzca el gabinete en la abertura hasta que el canal del alféizar se junte con el alfeizar de la ventana, y el ángulo de arriba se junte con la ventana (vea figura 18).

PASO 7. MONTAJE DE APOYO EXTERIOR - Refiérase a las figuras 19 y 20. Ensamble las ménsulas de apoyo (artículo 1) con cuatro tornillos de 10-24 de 1" (artículo 2) y cuatro tuercas planas de 10-24 (artículo 3). Ajuste las ménsulas de apoyo con los agujeros de la ménsula y del gabinete, para que las ménsulas inferiores estén en contacto con la pared. UN DIVISOR DE 1" x 4" o 2" x 4" SE DEBE UTILIZAR ENTRE LA PARED Y LAS MENSUELAS DE APOYO CUANDO SE INSTALE EN UNA BASE DE ALUMINIO O VINILO. Taladré agujeros de un diámetro de 5/32" con dos tornillos de 12A x2" (artículo 4) para fijar bien las ménsulas en la pared.

AVISO: NO DEBE DE NIVELAR el gabinete del frente hacia atrás. Asegúrese que haya aproximadamente una inclinación de 3/8" a 1/2" (extendido 1/8 a 1/4 en el nivel) hacia el exterior de la casa.

Ajuste las ménsulas de apoyo para que se forme una inclinación para que se desahogue la condensación (refiérase a la instalación de ventana estándar figura 19 a 23) Apriete los tornillos.

Método de apoyo alternativo A: Si tienes una ventana ancha que no permite que monte la ménsula como se muestra en Figura 22, sigue las siguientes instrucciones: Utilice los agujeros alargados y alternos en el gabinete, ajuste las ménsulas para que resista el peso de la unidad (figura 22) Apriete los tornillos.

Método de apoyo alternativo B: Si el espacio de la repisa de la ventana esta estrecha, intente lo siguiente. Doble la punta de la ménsula para que aplane. Corte la ménsula en dos partes como se muestra en la figura 23. Doble la pieza pequeña para que quede en una posición vertical cuando se instale. Ajuste la colocación y apriete los tornillos.

PASO 8. Mida y corte los paneles del tablón (con un espacio de 1/8") del masonite suministrado (artículo 8) para que quede entre el canal del lado de la ventana y el gabinete (figura 24) Asegúrese de incluir la profundidad del canal de la ventana.

AVISO

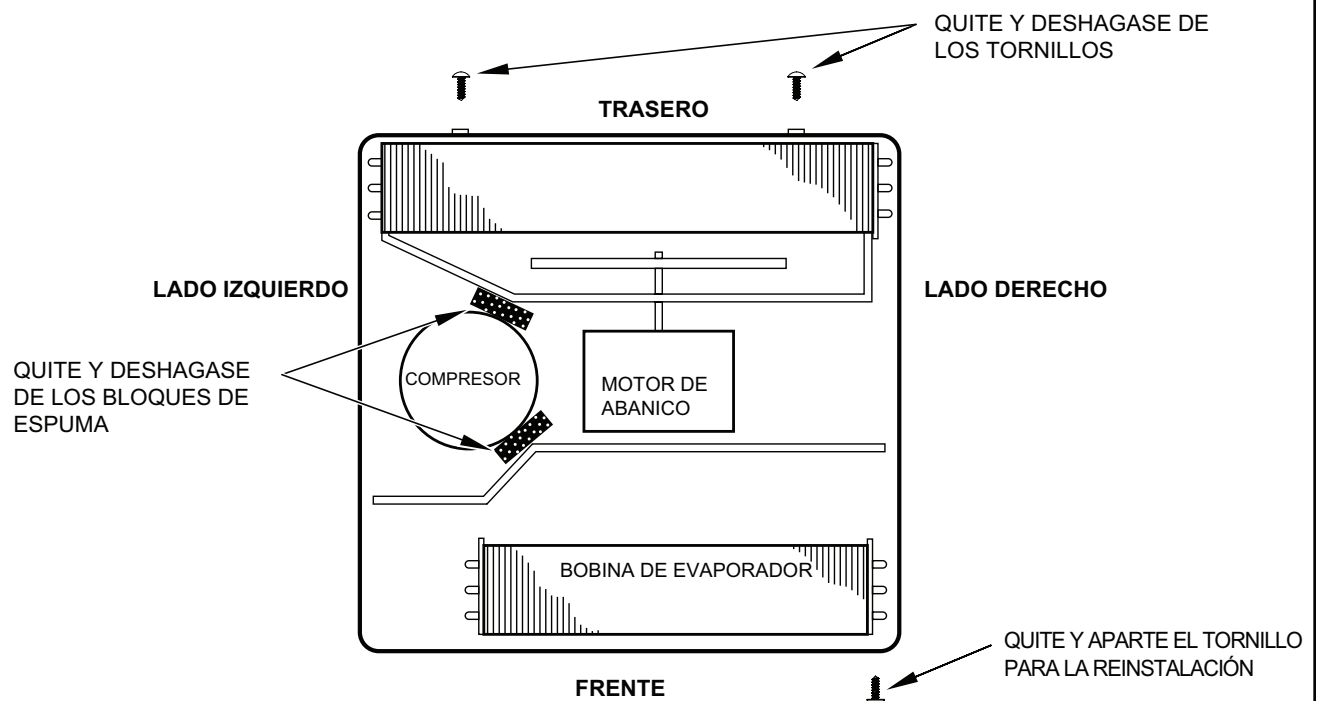


Por su seguridad, debe de tener un método de prevenir que la ventana se abra.

PASO 9. Para ensamblar los paneles del tablón, oprima las tuercas tinnerman tipo "J" (artículo 9) presillas de acero (artículo 10) (vea figura 25 en página 26) Asegure cada panel con dos tornillos (artículo 11).

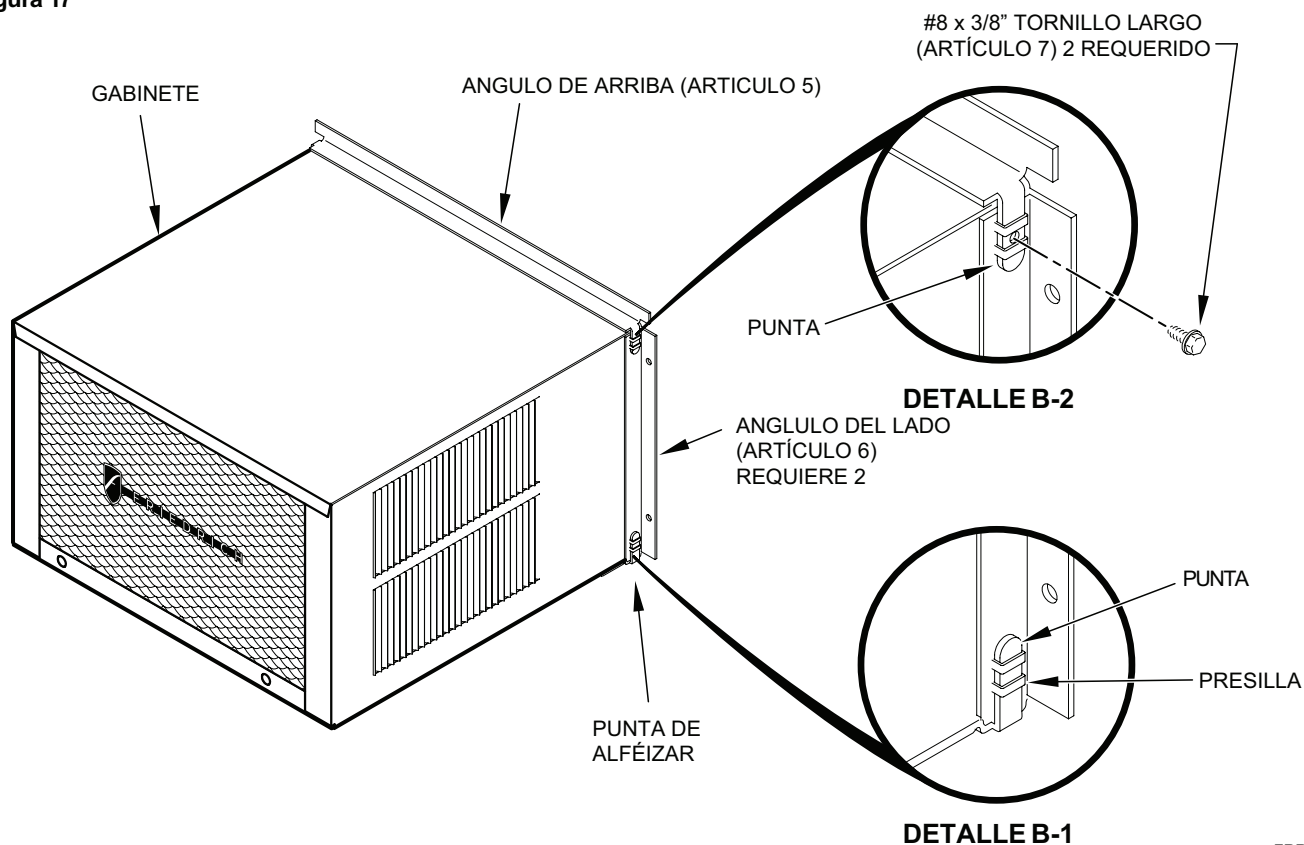
Figura 16

VISTA DE ARRIBA DE LA UNIDAD



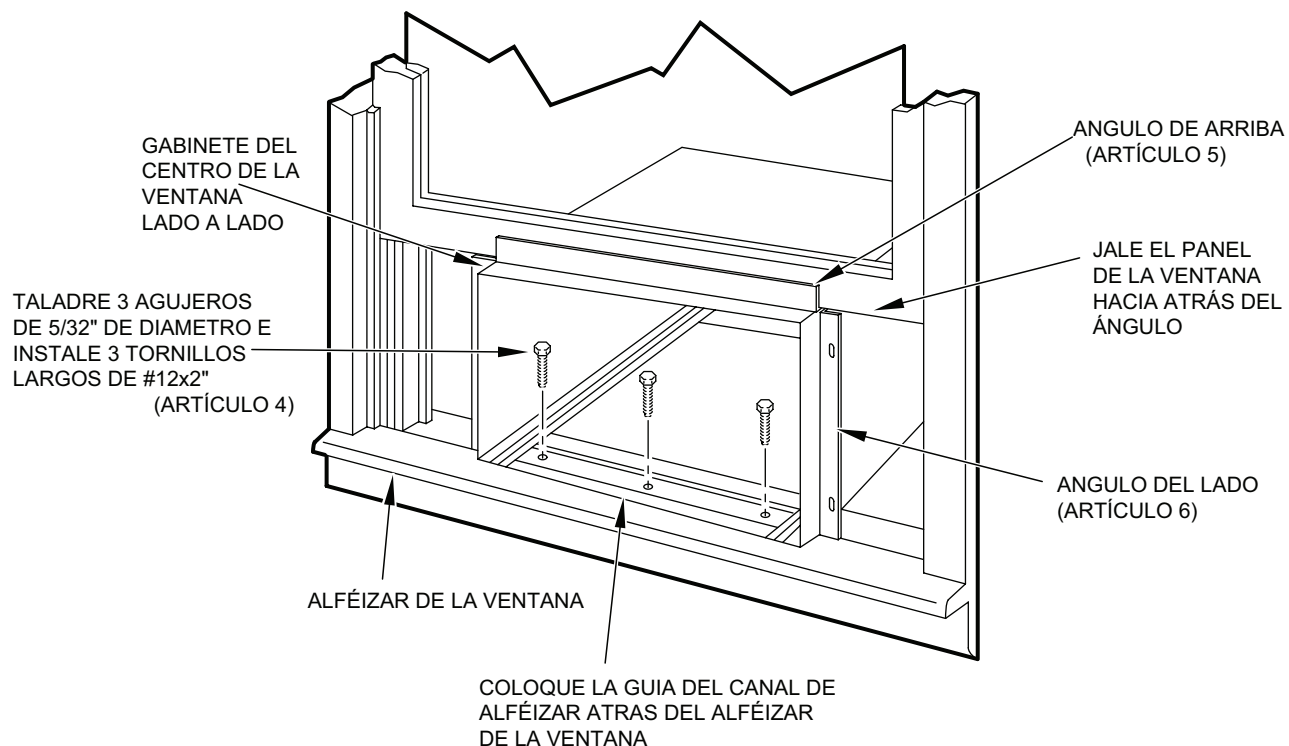
FRR045

Figura 17



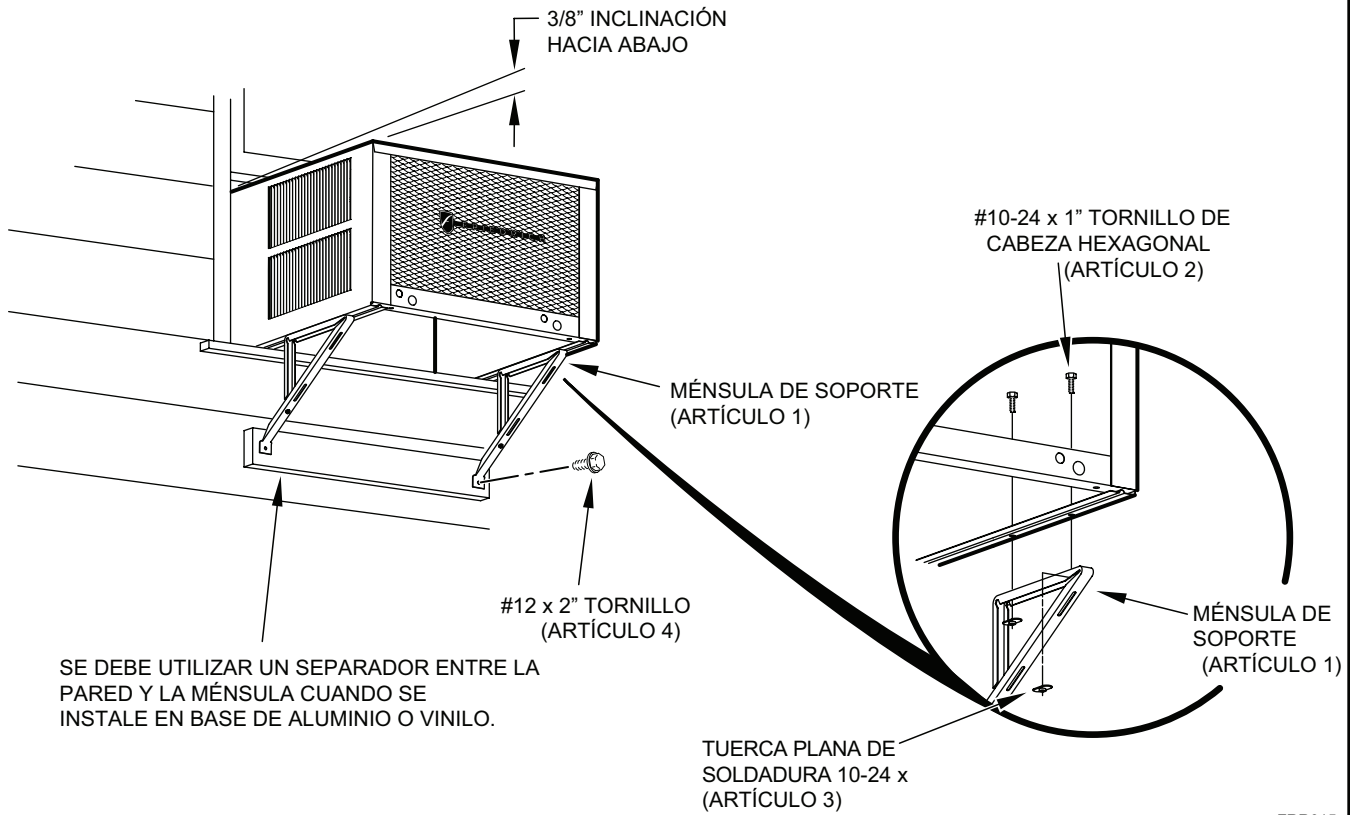
FRR013

Figura 18



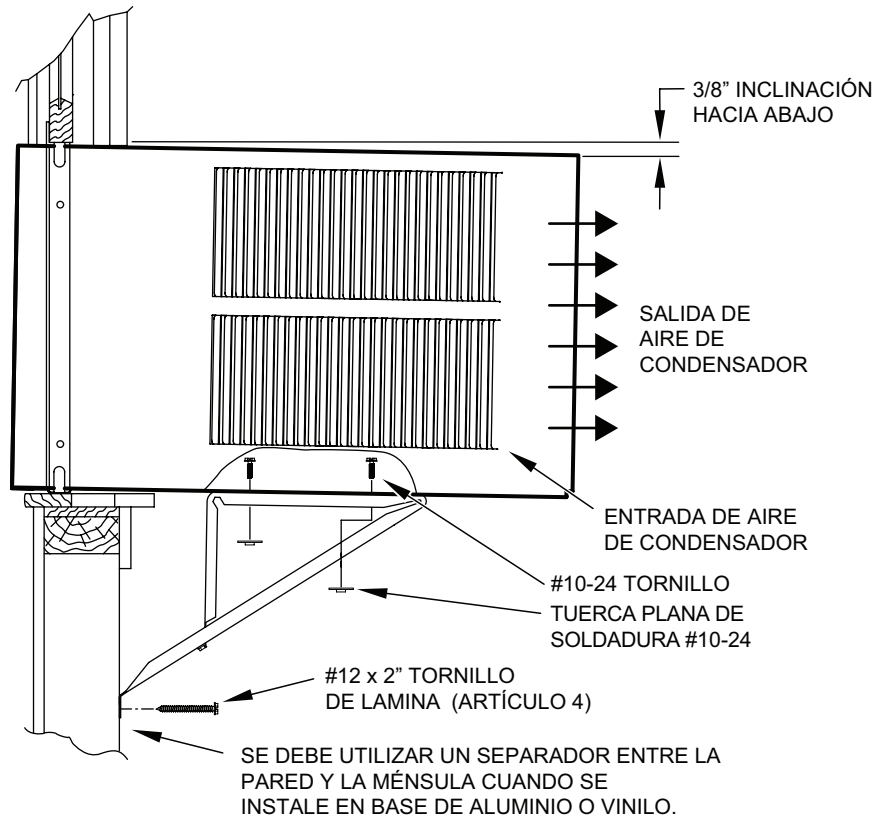
FRR014

Figura 19



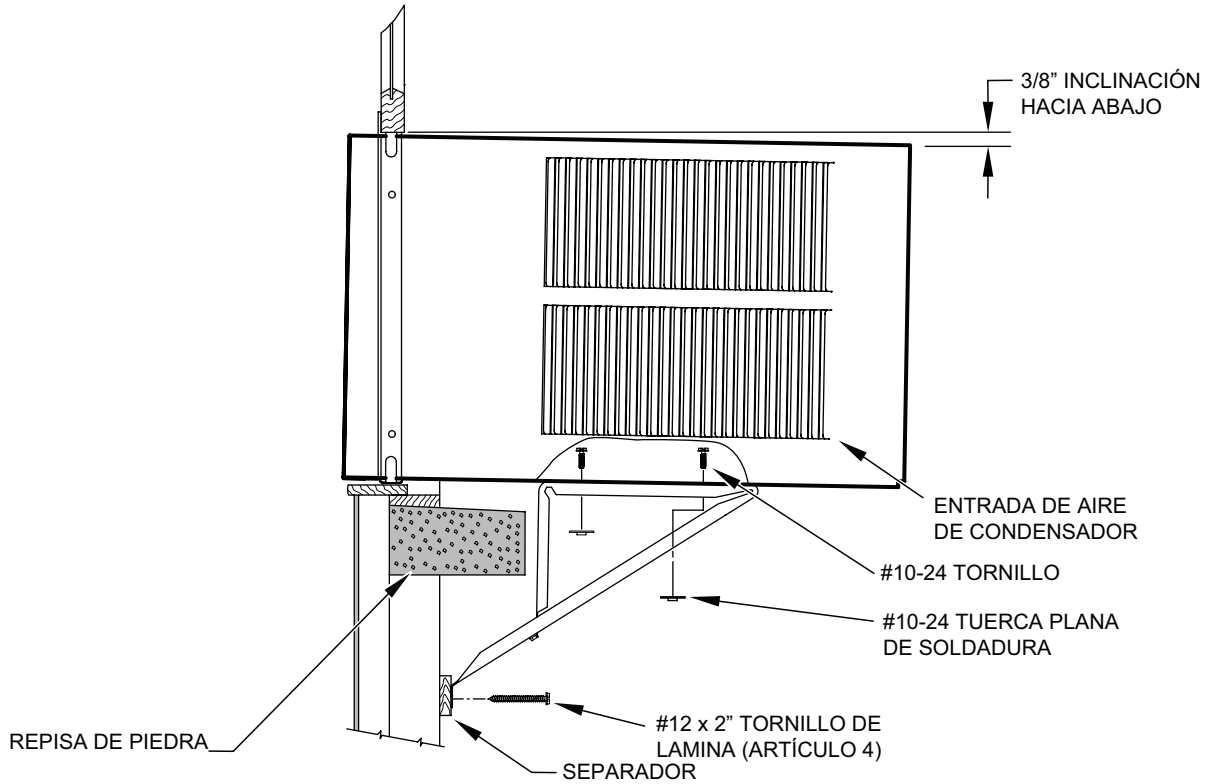
FRR015

Figura 20



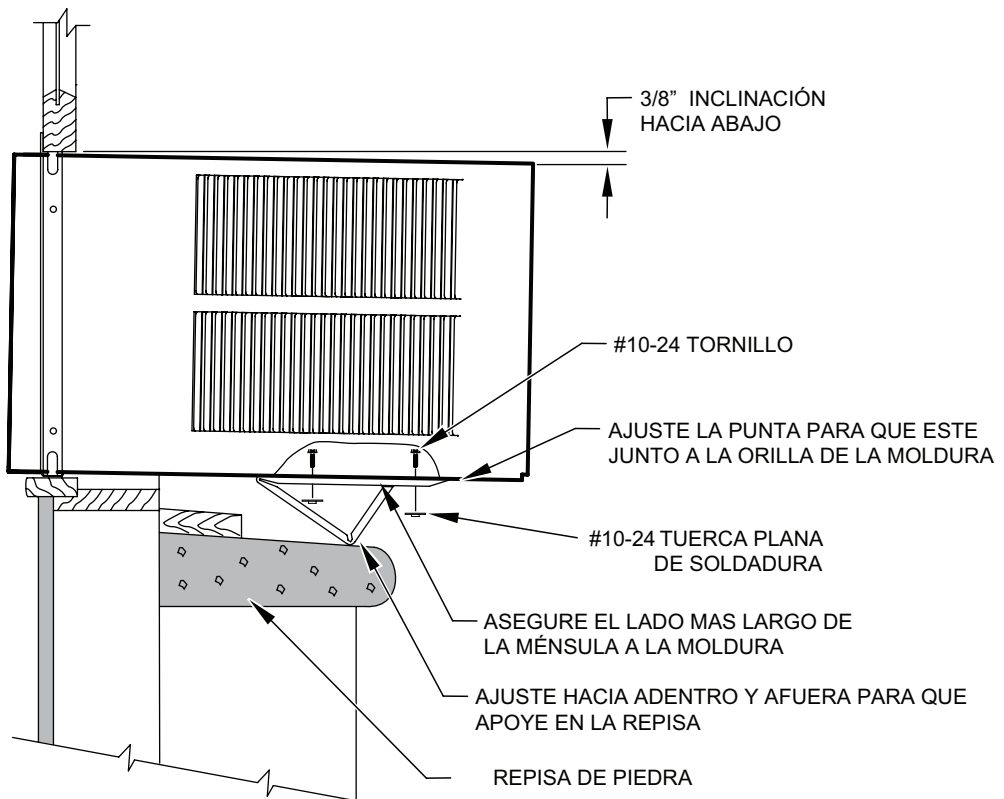
FRR016

Figura 21



FRR017

Figura 22



FRR018

Figura 23

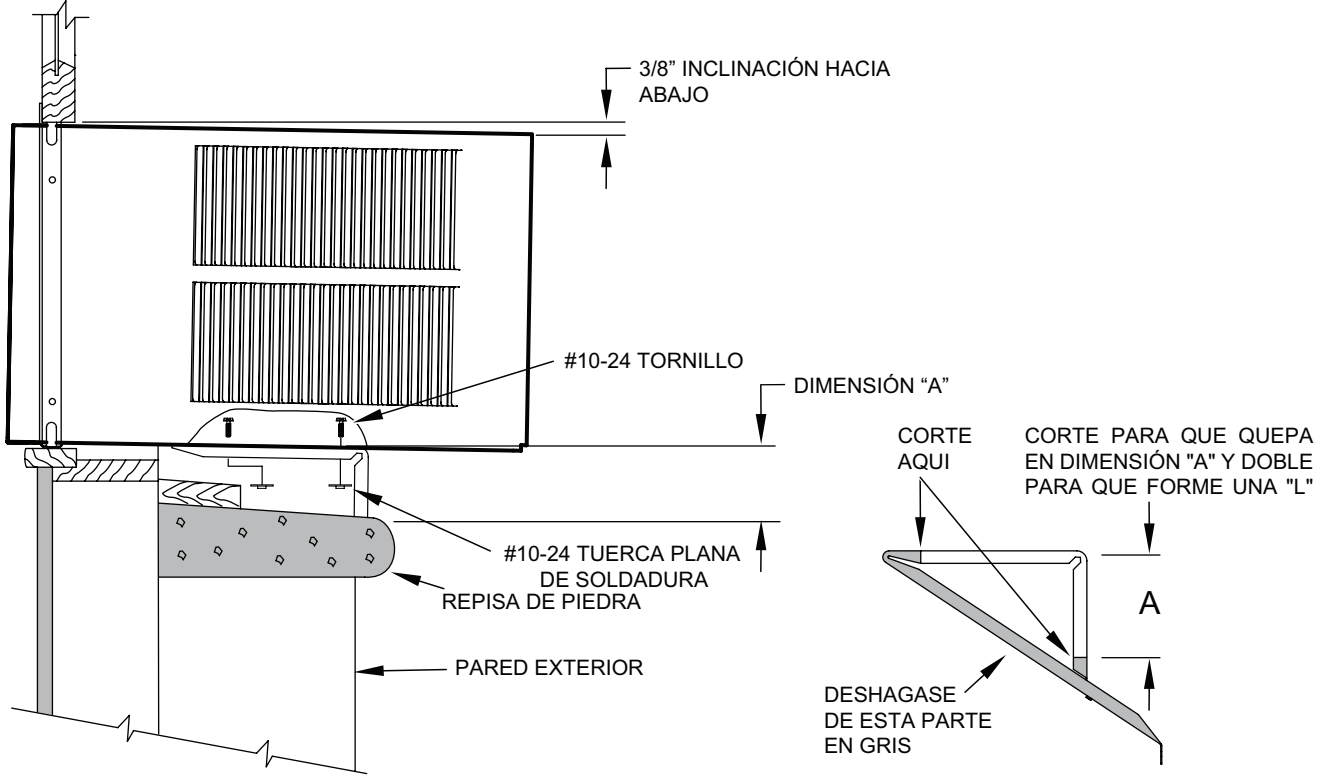
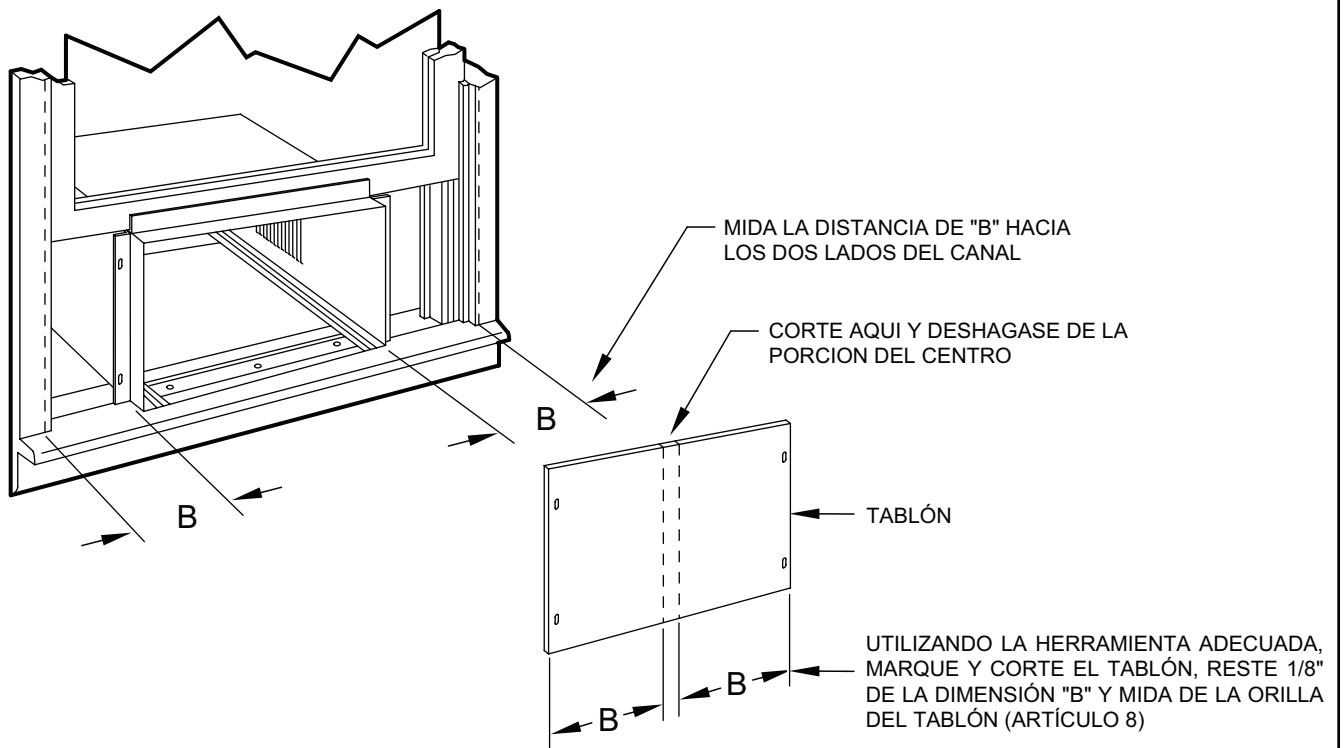




Figura 24



PASO 10. INSTALE LA JUNTA DEL SELLO DE VENTANA- Mida y corte la junta del sello de vinilo de la ventana (color gris, artículo 12) para que quepa en la anchura de la ventana e instale, como se muestra en figura 29. Jale el panel de la ventana detrás de la junta. Mida y corte la junta del sello de la ventana de espuma oscura (artículo 13) e instalelo entre el panel de vidrio superior y la parte superior del panel de la ventana inferior (figura 29).

⚠ PRECAUCIÓN	
	<p>Peligro de Peso Excesivo Dos o más personas deben de instalar el aire acondicionado. El no hacerlo puede resultar en heridas de espalda ú otras heridas.</p>

⚠ PRECAUCIÓN	
	<p>Peligro de cortarse Algunas orillas pueden ser filosas, utilice guantes o protección de las manos al manejar la unidad. El no hacerlo puede resultar en heridas leves a moderadas.</p>

PASO 11. Cuidadosamente levante el chasis y coloquelo en el gabinete, dejando 3" hacia afuera. Inserte la junta de sellamiento del chasis (artículo 14) con una 1" de profundidad entre el chasis y el gabinete (vea figura 29) como se muestra en la pagina 28. Puede meter la junta en cualquier esquina de la parte inferior, y continúa hacia arriba, y luego hacia abajo y jale por el lado opuesto. Una espátula sería útil para eso. Empuje el chasis completamente adentro del gabinete.

AVISO: La operación de la unidad estará afectada si la instalación de la junta de sellamiento del chasis no se instale o esté mal hecha. Resultará en la amplificación del ruido exterior y de la unidad.

PASO 12. Vuelva a colocar el chasis de la entrada y la retención con el mismo tornillo que apartó en el paso 1 (vea figura 14).

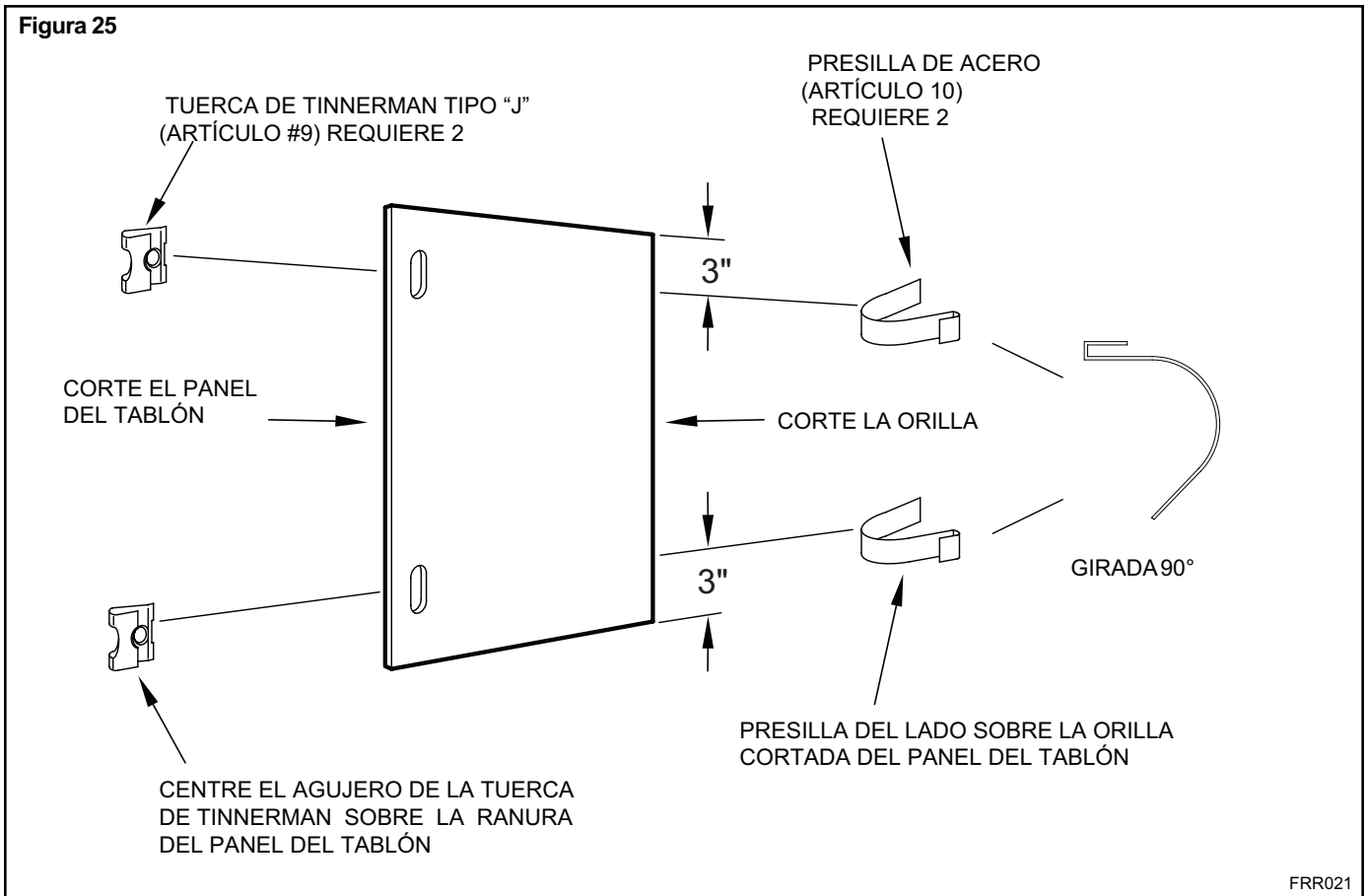
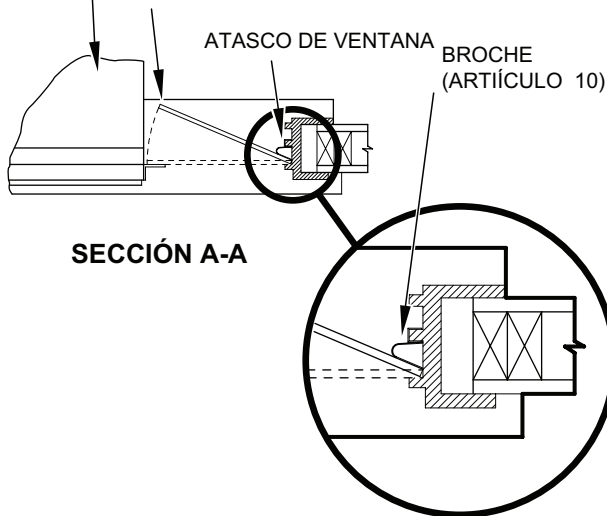


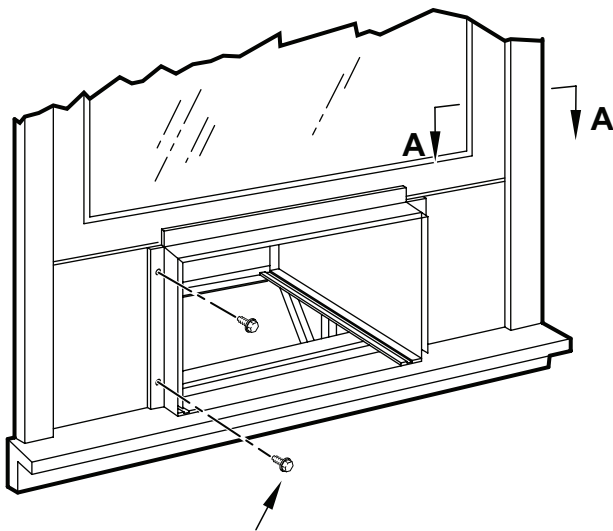
Figura 26

ARRIBA DEL GABINETE

COLOQUE EL TABLÓN DEL PANEL EN EL ATASCO DE LA VENTANA PARA COMPRIMIR LOS RESORTES ADENTRO DE LA CORREDERA, Y PONGA LOS PANELES DEL TABLÓN EN EL LUGAR INDICADO.



SECCIÓN A-A



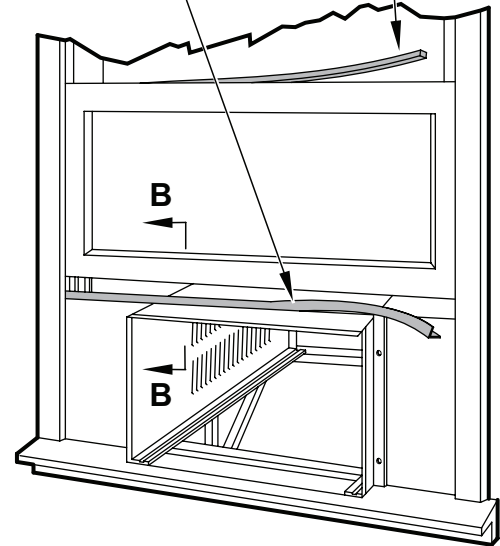
ASEGURE EL PANEL DEL TABLÓN DEL LADO A LOS ANGULOS DEL LADO CON CUATRO TORNILLOS DE #8 x 1/2" (ARTÍCULO 11), DOS EN CADA LADO.

FRR022

Figura 27

INSERTE LA JUNTA DE VINILO DE SELLO DE LA VENTANA SOBRE EL ÁNGULO DE ARRIBA A EL TABLÓN (ARTÍCULO

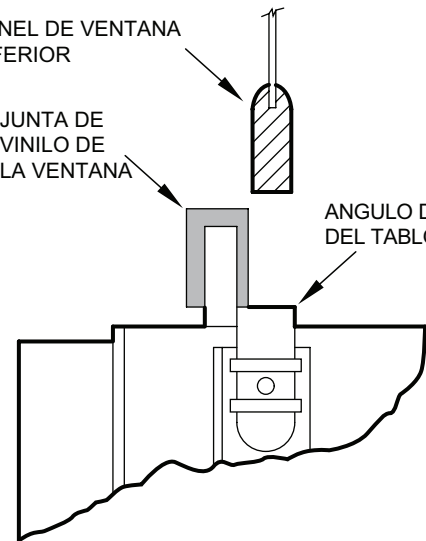
INSERTE LA JUNTA DE ESPUMA DE SELLAMIENTO DE LA VENTANA (ARTÍCULO 13)



PANEL DE VENTANA INFERIOR

JUNTA DE VINILO DE LA VENTANA

ÁNGULO DE ARRIBA DEL TABLÓN



SECCIÓN B-B

FRR023

OPCIONAL: La fábrica manufactura el cable de alimentación para que salga a la izquierda de la unidad. Si el cliente lo requiere, el cable se puede dirigir para que salga del lado derecho. Para hacer esto, jale el cable a través de las presillas estrechamente. (Refiérase a cambio del enrutamiento de cable, vea la figura 37) y dirige hacia abajo.

PASO 13. Para fijar y prevenir daños en la rejilla delantera, alinee la ranura del cordón por encima del cable y de la rejilla de aire fresco, luego alinee y apriete los 4 tornillos cautivos según lo indicado por las flechas en la figura 28. Antes de cerrar el panel frontal asegúrese de que el filtro esté en su lugar y asegúrese de no bloquear las cortinas de las tomas de aire laterales.

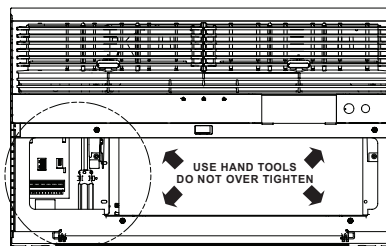
PASO 14. Refiérase a la sección de la operación del panel de control para instrucciones.

PASO 15. Ya puede controlar el nivel de comodidad de la habitación.

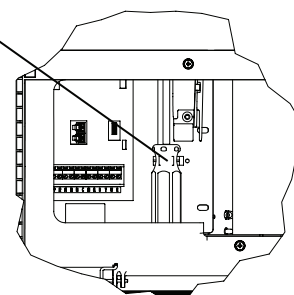
Utilice la herramienta suministrada

Por favor, utilice la herramienta suministrada para ajuntar la tapa decorativa al chasis.

Figura 28

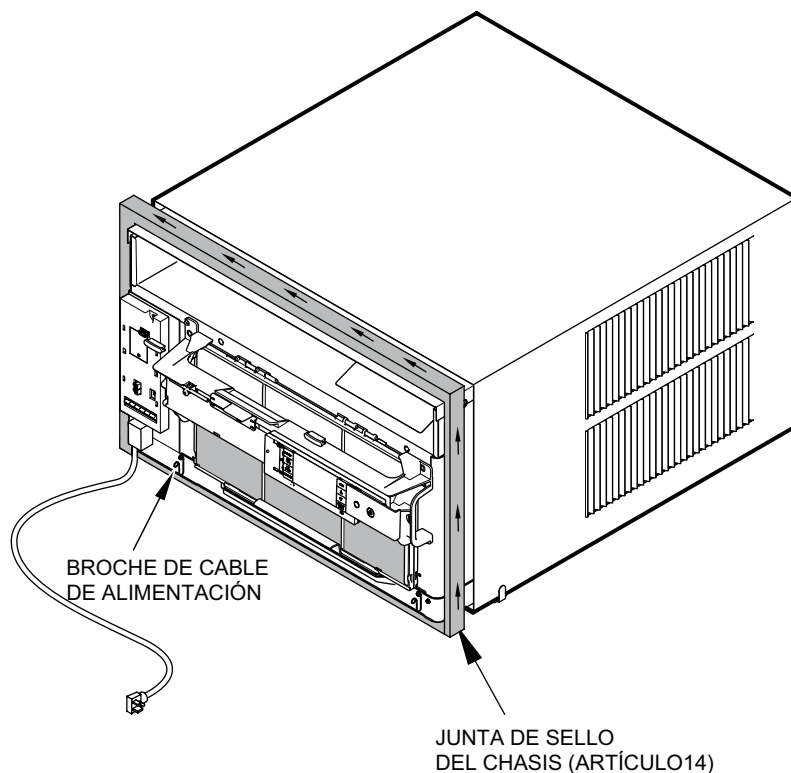


UBICACIÓN DE LA HERRAMIENTA DE RETIRO DE LA REJILLA



FRR053

Figura 29



AVISO: CUANDO INSTALE LA JUNTA, INTRODUZCALA A TRAVÉS DE CUALQUIER ESQUINA DE LA PARTE INFERIOR, Y CONTINUE HACIA ARRIBA, Y LUEGO HACIA ABAJO Y LUEGO BAJE POR EL LADO OPUESTO.

FRR024

ESTA PÁGINA ESTA EN BLANCO INTENCIONALMENTE

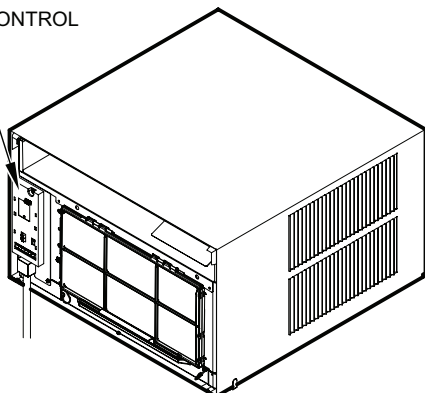
Cambio de orientación del cable

Desenchufe la unidad

⚠ ADVERTENCIAS	
	Peligro de choque eléctrico
	Asegúrese de que su enchufe tenga la misma configuración eléctrica que el acondicionador de aire. Si es diferente, consulte a un electricista autorizado
	No utilice adaptadores de enchufe
	No utilice un cable de extensión
	No quite la clavija de tierra
Siempre conecte a un enchufe de tres clavijas.	
El no cumplir con estas instrucciones se puede ocasionar la muerte, un incendio o un choque eléctrico.	

Se puede cambiar la dirección del cable de alimentación si sigue las siguientes instrucciones. Elija la ubicación del cable dependiendo de su proximidad al enchufe.

Figura 30



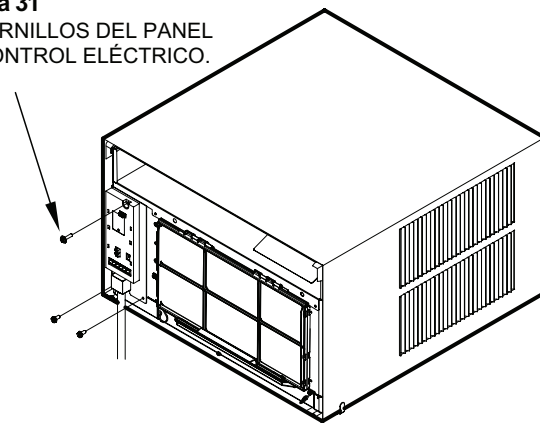
PANEL DE CONTROL ELÉCTRICA

AVISO:
UTILICE LA HERRAMIENTA SUMINISTRADA PARA QUITAR LA TAPA DECORATIVA. (VEA FIGURA 28 POR LA UBICACIÓN).

FRR054

Quite los tres tornillos del panel de control eléctrico, apártelos para reinstalarlos después.

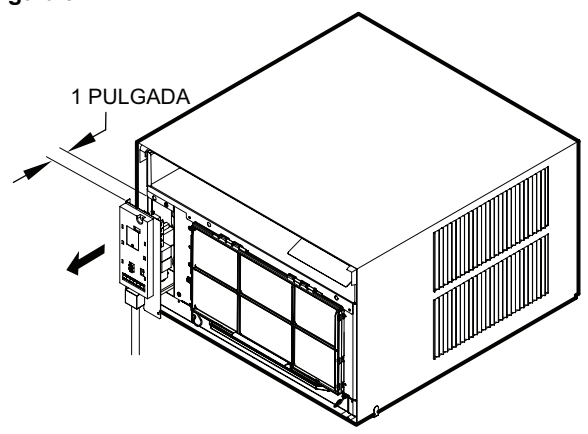
Figura 31
(3) TORNILLOS DEL PANEL DE CONTROL ELÉCTRICO.



FRR055

PASO 16. Cuidadosamente saque (no completamente) el panel de control eléctrico de 1"

Figura 32

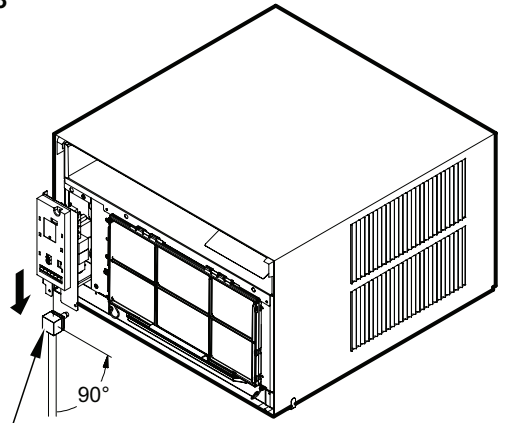


1 PULGADA

FRR056

PASO 17. Jale al conector del cable eléctrico hacia abajo, y luego girar a un ángulo de 90 grados.

Figura 33



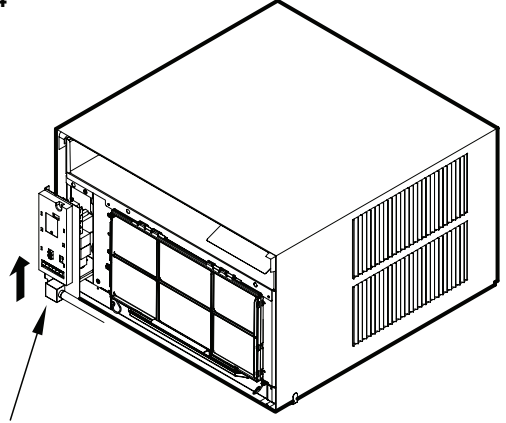
90°

CONECTOR DEL CABLE ELÉCTRICO

FRR057

PASO 18. Empuje el alivio de tensión de cable hacia arriba en el panel de control eléctrico.

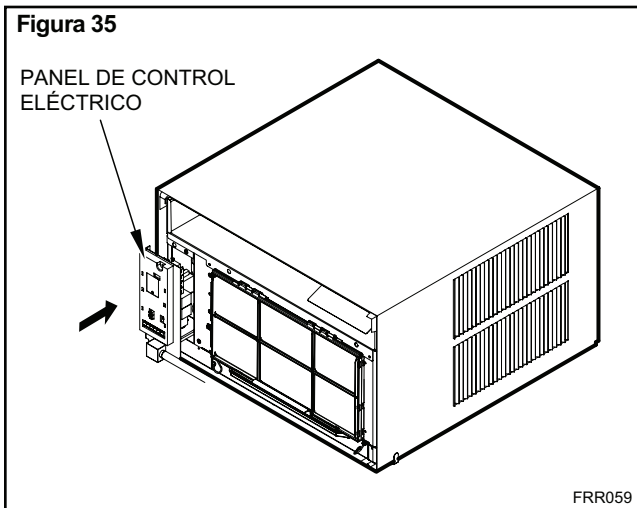
Figura 34



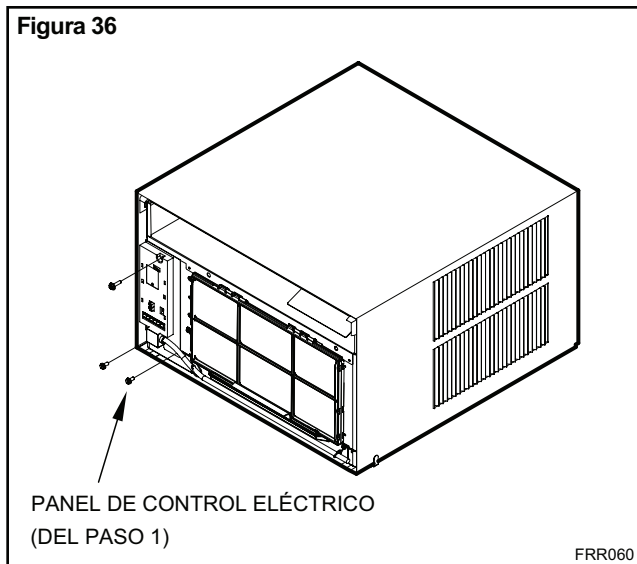
ASEGÚRESE QUE EL CONECTOR DEL CABLE ESTE CERCA DE LA PARTE SUPERIOR DEL PANEL DE CONTROL ELÉCTRICO.

FRR058

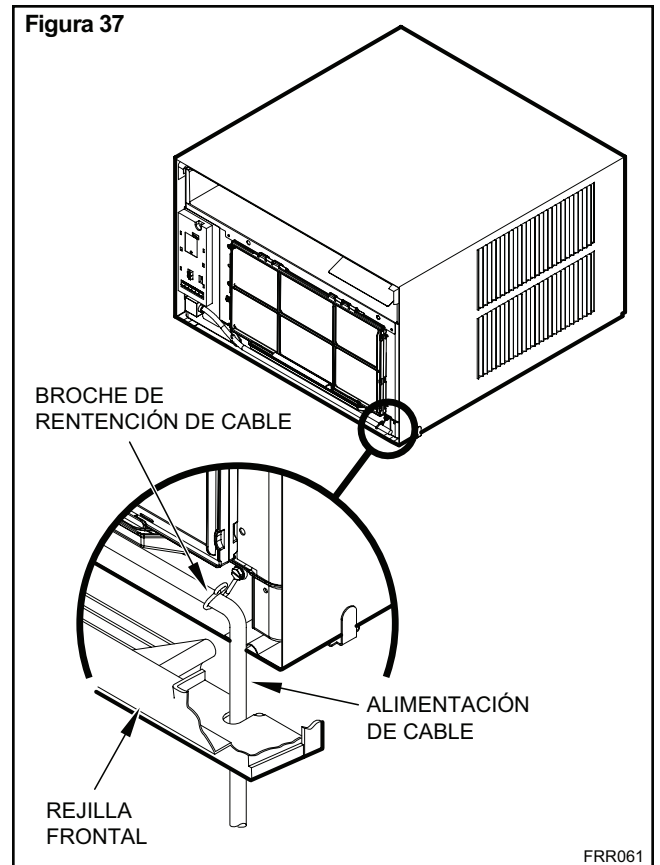
PASO 19. Cuidadosamente introduzca el panel de control eléctrico en el chasis.



PASO 20. Reinstale los 3 tornillos para asegurar el panel de control eléctrico.



PASO 21. Si utilizara el cable de alimentación hacia el lado derecho de la unidad, instale el cable en la retención de cable en la parte debajo de la unidad.

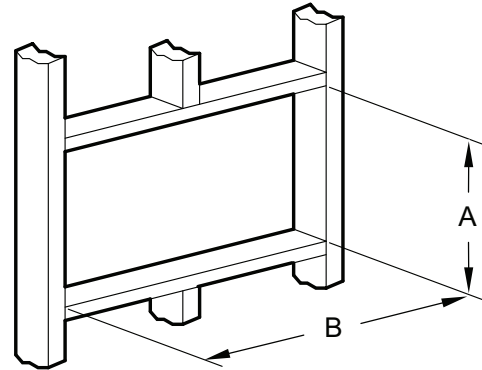


Instalación en pared

Las siguientes instrucciones se aplican a la madera, mampostería, ladrillo, concreto o bloques de hormigón.

PASO 1. Las instrucciones para la instalación de ventana estándar, empiezan en la pagina 20. Sigue los pasos 1, 2, 3 y 4.

PASO 2. PREPARACION DE GABINETE: Quite los tornillos y tuercas del alféizar del gabinete (figura 38). Asegurese que el retenedor del chasis se fije con una tuerca y tornillo del lado derecho (detalle A, figura 38). Doble las puntas del alféizar hacia adentro de su casa; o corte los (Detalle B, figura 38) Gire el alféizar 180 grados (detalle B, figura 38) y reinstale. Voltee la orientación de los tornillos y tuercas, para que la cabeza de los tornillos estén en el inferior del gabinete (detalle C, figura 38). Asegure que el retenedor del chasis se instaló como se muestra en los detalles.



AVISO

NO BLOQUEE las rejillas de entrada de aire del condensador del gabinete exterior con paredes gruesas.

PASO 3. PREPARACION DE PARED - El tamaño de modelo que se instalará determina la anchura máxima de pared permitida sin la construcción especial. Observe la anchura máxima en figura 39. Si la anchura de la pared es más que lo que se permite en la tabla, se debe alterar como se muestra en la figura 39.

PASO 4. REVISE EL CABLEADO Y LA PLOMERÍA - Revise el Cableado y plomería del interior y exterior de la pared para asegurar que no se dañe nada cuando se construye el gabinete.

PASO 5. ABERTURA DE CONSTRUCCIÓN - Dependiendo del tamaño de su unidad, siga las dimensiones en la tabla 4. Corte y enmarque la apertura de las dimensiones terminadas. Si la pared es de marco típico o con chapas de piedra en pared de ladrillo de 2"x4" coloque la apertura junta a uno de los soportes para paredes de mampostería, concreto, bloques de hormigón, coloque la apertura a su conveniencia (vea figuras 40, 41, y 42)

DIMENSIONES TERMINADAS	CHASIS CHICO	CHASIS MEDIANO	CHASIS GRANDE
A	16 ³ / ₁₆ "	18 ³ / ₁₆ "	20 ³ / ₈ "
B	26 ³ / ₁₆ "	26 ³ / ₁₆ "	28 ¹ / ₄ "

Aviso: Estas medidas son para el tamaño final de la abertura

Figura 38

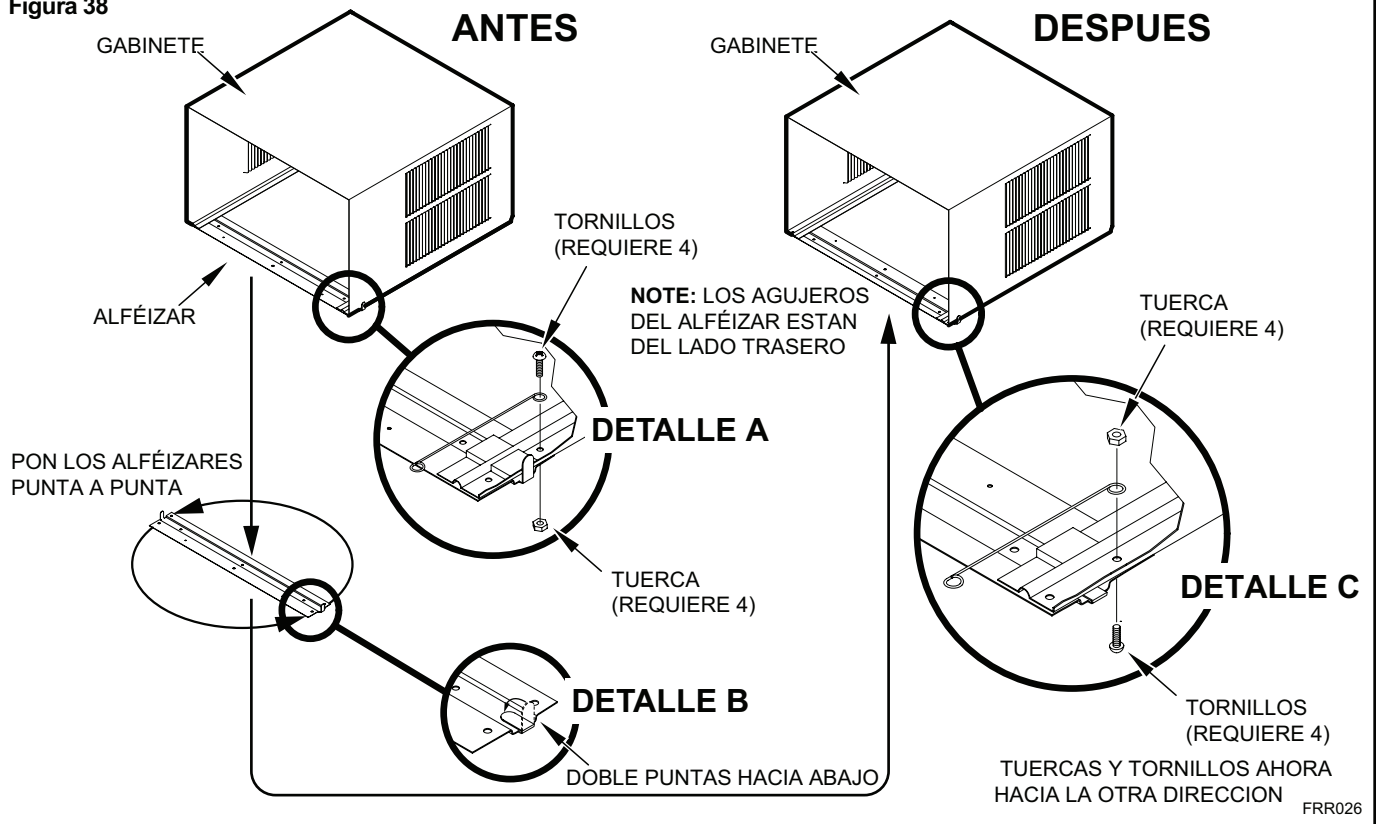


Figura 39

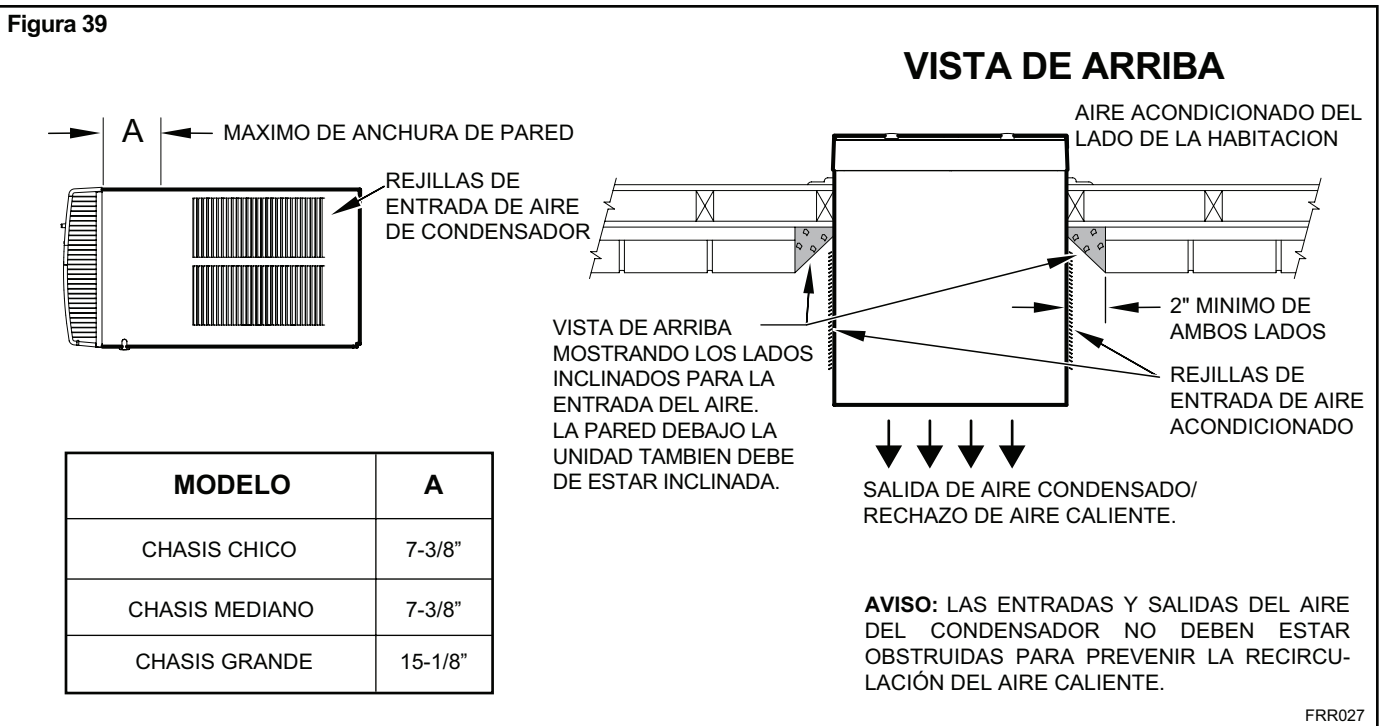
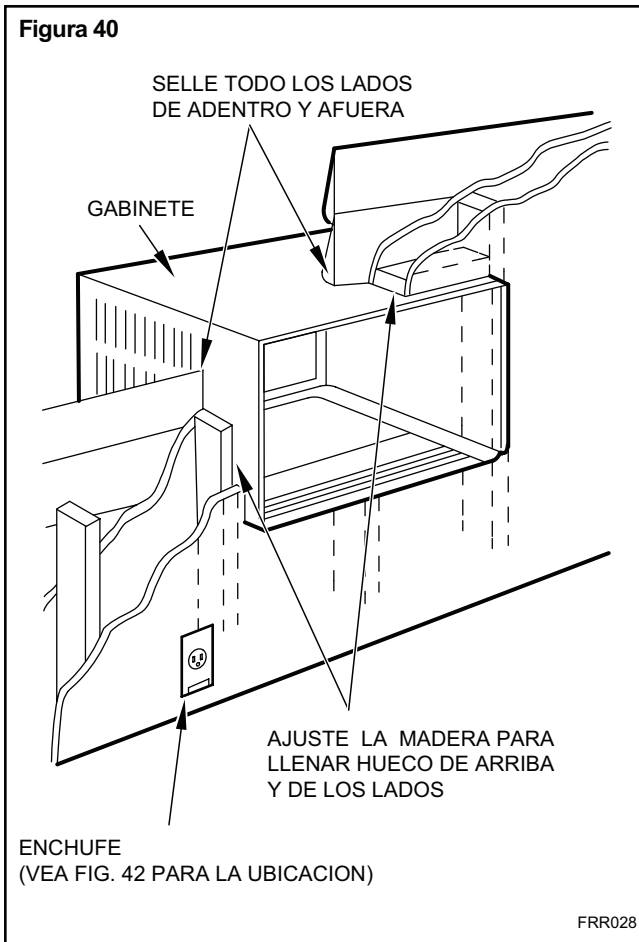
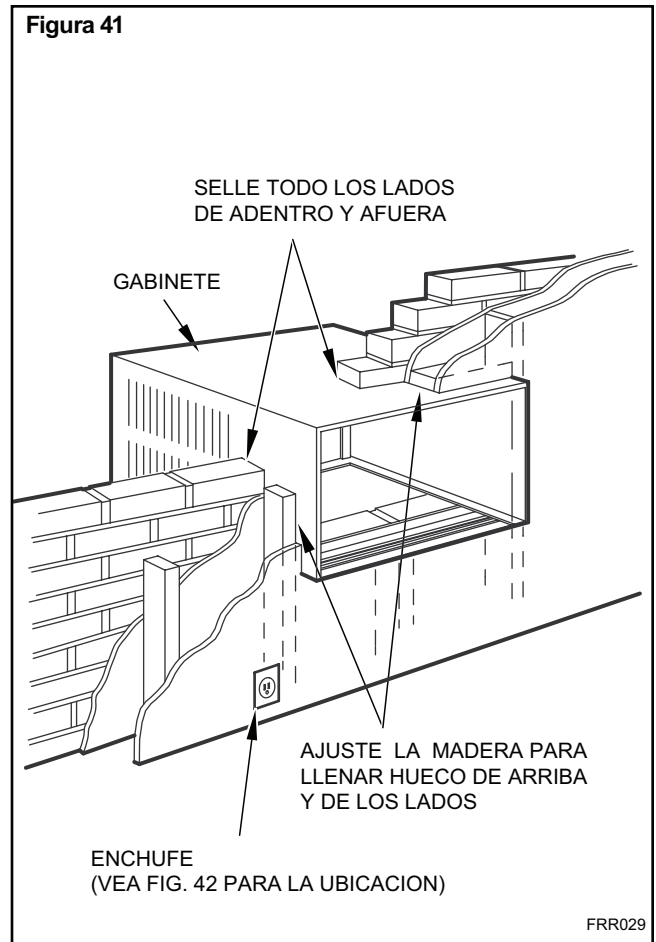


Figura 40



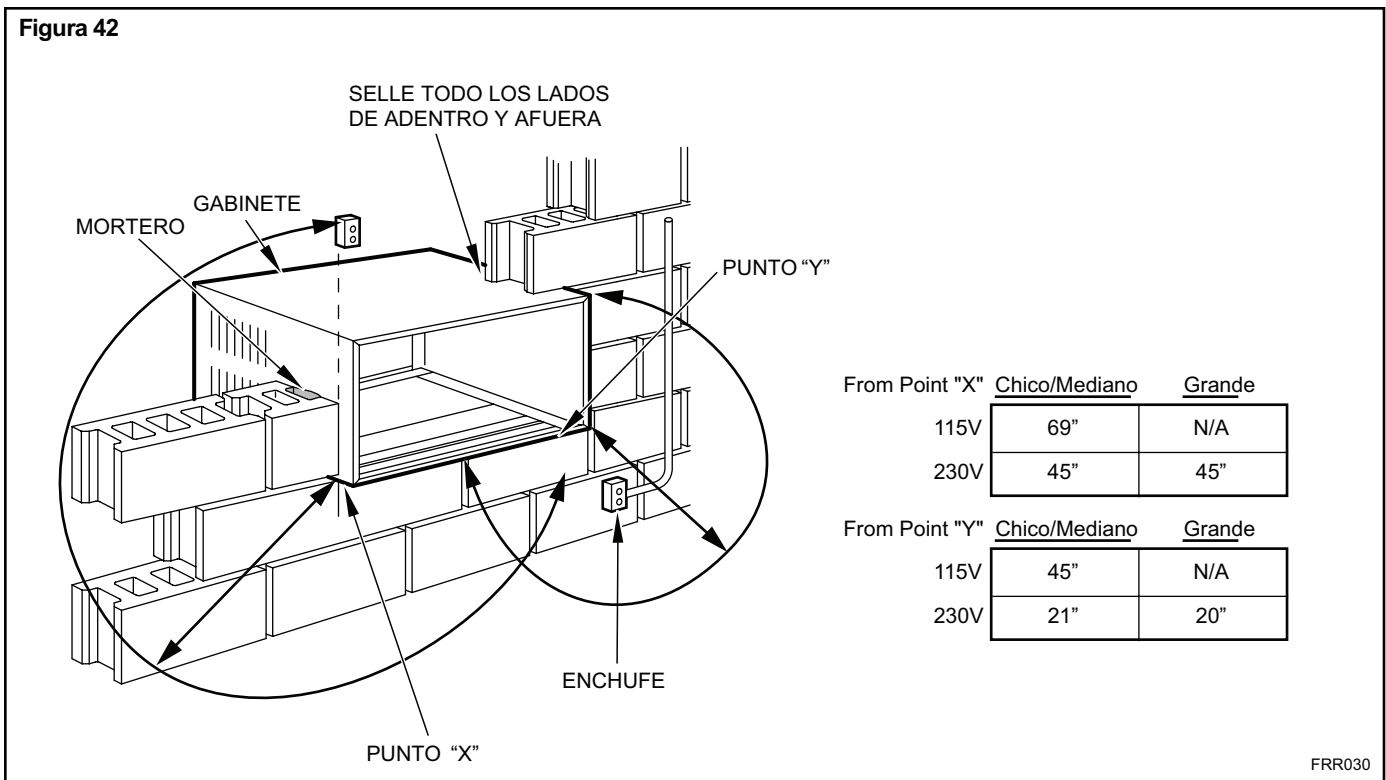
FRR028

Figura 41



FRR029

Figura 42



From Point "X"	Chico/Mediano	Grande
115V	69"	N/A
230V	45"	45"

From Point "Y"	Chico/Mediano	Grande
115V	45"	N/A
230V	21"	20"

FRR030

PASO 6. Introduzca el gabinete en el hueco asegurando que haya suficiente espacio para que la guía canal del Alfeizar haga contacto con la superficie de la pared interior (figura 20).

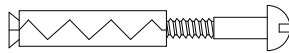
PASO 7. Taladre tres agujeros de 5/32" de diámetro en el marco (utilice los agujeros del alfeizar como guía) e instale tres tornillos largos #12x2" (artículo 4, figura 20).

AVISO: Se requiere presillas alternas para el alfeizar o ménsulas de soporte a un material que no sea madera (bloques de hormigón, ladrillo, mampostería, o concreto). Estos artículos se pueden comprar en cualquier ferretería.

AVISO: NO DEBE DE NIVELAR el gabinete del frente hacia atrás. Asegura que haya aproximadamente 3/8" a 1/2" de inclinación (1/8 a 1/4 de burbuja en el nivel) hacia el exterior de la casa.

PASO 8. Taladre dos agujeros de 5/32" en diámetro en cada lado del gabinete en las ubicaciones indicadas (figura 20) e instale cuatro tornillos de #12 x 2" (artículo 4). Asumiendo que en paso 5 (construcción del agujero) se construye un montaje fuerte con soportes verticales, las ménsulas de soporte no se ocuparan. La instalación de soportar el peso de la unidad mas 400 libras adicionales en el trasero del gabinete. Si tiene ménsulas de soporte se pueden instalar como en la figura 20.

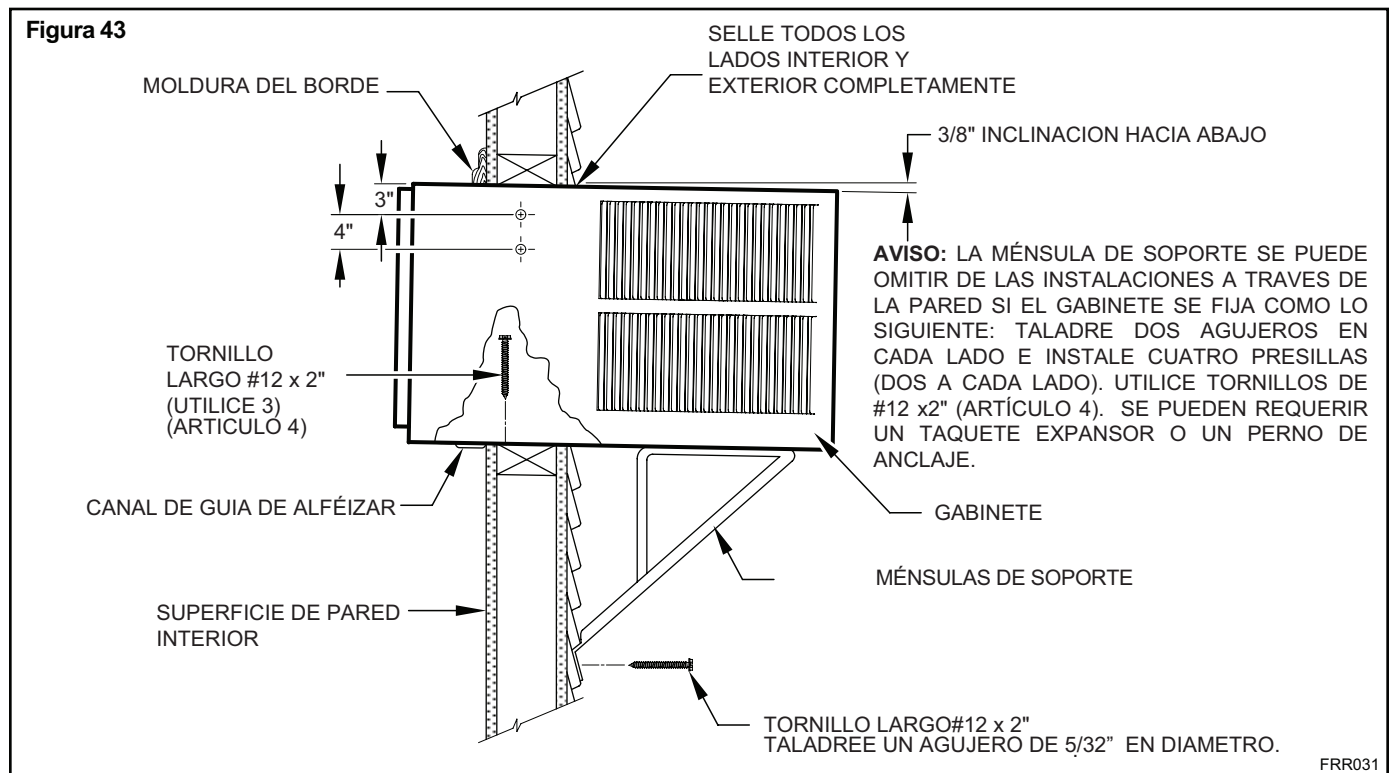
PASO 9. Sigues los paso 12 a 15 en la página 20 de "La instalación de ventana estándar" para completar la instalación.



TAQUETE EXPANSOR



PERNO DE ANCLAJE



Termostato Programable

Su unidad de control digital tiene una característica de programación de termostato de siete días que se puede utilizar para encender, apagar la unidad y cambiar de modos durante todo el día.

Los ajustes de fábrica se muestran en el apéndice 1 (Tabla de programación con valores de ahorro de energía). Los valores se pueden cambiar si sigue las siguientes instrucciones. Opciones básicas: Grupos de cuatro días.

1. Lunes a Viernes
2. Solo Sabado y Domingo
3. Lunes a Domingo
4. Días individuales (Lunes a Domingo)

Cada uno de los grupos tienen cuatro periodos de hora que se pueden modificar. WAKE (Despertar) 6:00, AWAY (Fuera) 8:00, RETURN (regreso) 18:00, y NIGHT (noche) 22:00).

Las horas de inicio de cada periodo se pueden cambiar. También, cada periodo puede tener diferente temperatura y modo de abanico.

Por ejemplo, si vives en una área adonde tiene el clima fresco. Puedes ajustar la temperatura a un nivel más bajo mientras que estás fuera de la casa, y cuando regreses a una temperatura más caliente.

Secuencia de programación – 1 Despertar



FRR032

Oprime **SCHEDULE** por tres segundos para iniciar el modo de programación. Si está inactivo por cinco minutos, la unidad se saldrá del modo de programación y regresará a la pantalla normal sin guardar ningún cambio. Para salir y guardar los cambios, oprime **SCHEDULE** por tres segundos. Todos los parámetros se guardarán. **BACK** permite que el usuario se regrese entre los menús.



FRR033

El icono de programación relampaguea y un sonido confirmara el inicio del modo de programación. La pantalla mostrará todo los días entre semana (L,M,M,J,V). Todos los cambios se aplicarán a todos los días entre semana.



FRR034

El usuario puede elegir otro grupo de día cuando oprime **SCHEDULE**. Si el usuario continua oprimiendo **SCHEDULE**, el sistema se cambiara entre los grupos en el orden siguiente: Lunes, Martes, Miércoles, Jueves, Viernes, Sabado, Domingo, L, M, M, J, V, S, D. Note que el ultimo grupo muestra cada día individualmente.

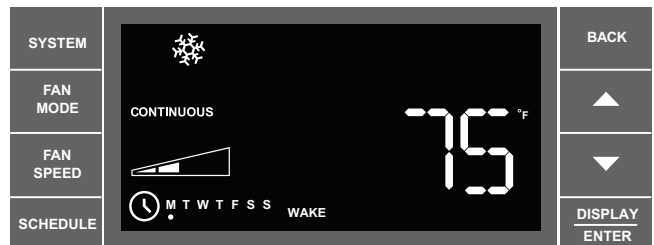
Esta característica es útil para cambiar las horas de inicio de los cuatro periodos por cada día. Cada grupo de día inicia mostrando la hora de despertar (wake).



FRR035

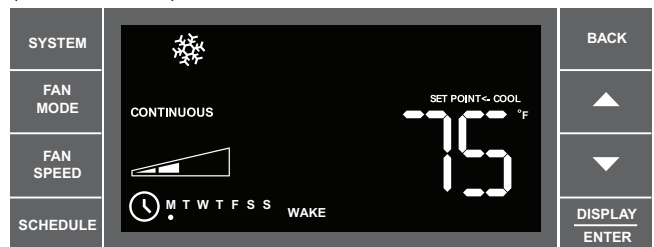
Para cambiar la hora, oprime **▲** o **▼** para cambiar la hora en incrementos de 15 minutos. Cuando la hora este programada, oprima **DISPLAY/ENTER** para avanzar al próximo paso.

Secuencia de programación – 2 Despertar



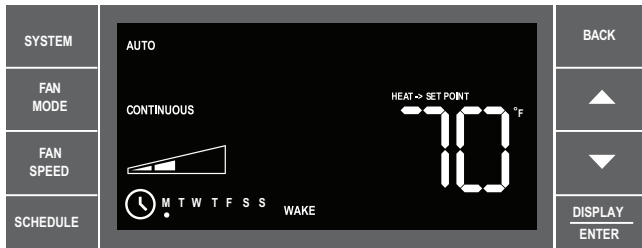
FRR036

Ahora puede ajustar SISTEMA (SYSTEM), MODO DE ABANICO (FAN MODE), VELOCIDAD DE ABANICO (FAN SPEED) y TEMPERATURA (TEMPERATURE).



FRR037

Oprima **SYSTEM**, **FAN MODE** o **FAN SPEED** para cambiar la opción. Utilice **▲** o **▼** para ajustar la programación de enfriamiento (cool).



FRR038

Si el sistema está en el modo de AUTO (solo unidad de Calefacción -Enfriamiento), un segundo ajuste de temperatura, "Heat → Setpoint (ajuste de calefacción) se mostrará. Utilice las flechas ▲ o ▼ para aumentar / disminuir la temperatura. Los otros parámetros (SYSTEM [sistema], FAN SPEED [velocidad de abanico], FAN MODE [modo de abanico] no se pueden cambiar en esta pantalla. El rango de temperatura en AUTO debe pertenecer un mínimo de tres grados de separación. Si el ajuste de alto o bajo (high/low) están muy cercas, esa temperatura se aumentará / disminuirá para mantener los tres grados de separación. Oprimir **DISPLAY/ENTER** para continuar al próximo periodo.



FRR039

Si el usuario elige el modo de FAN- only (solo abanico), por 2 segundos la temperatura en la pantalla se cambiará por FAN (abanico). En este modo es posible ajustar la velocidad del ventilador. Las opciones de velocidad son: bajo, medio, alto o máximo*. La velocidad del ventilador varía según el modo de su unidad. El máximo* esta disponible en todos los modelos SS y SM.



FRR040

Si el usuario quiere que el aire acondicionado se apague por un tiempo, oprimiendo **SYSTEM** por la quinta vez apagará las opciones de la unidad y se pondrá a hibernar hasta iniciar el próximo periodo. Esta característica solo está disponible durante la configuración de programación.

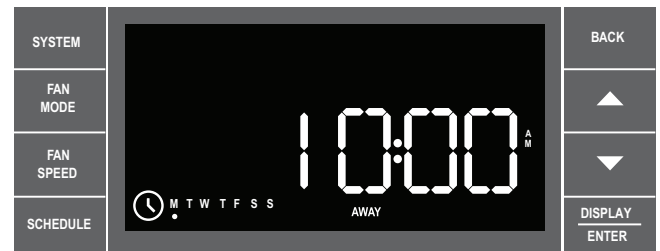


FRR041

Si el usuario decide no utilizar ninguno de los periodos del día, pueden programar la unidad para brincar cuando oprime **SYSTEM**. Esto pondrá la opción en blanco y mostrará las palabras SKIP (brincar) en la pantalla. Esto se puede deshacer si oprime **SYSTEM** otra vez. El control digital regresará al ajuste anterior de tiempo. Oprima **DISPLAY/ENTER** para continuar al próximo periodo.

SKIP sigue la configuración del período de tiempo anterior, se dará por terminada a principios del próximo período de tiempo cuando SKIP no este activada.

Programación – Periodos de Fuera, Regreso, Noche



FRR042

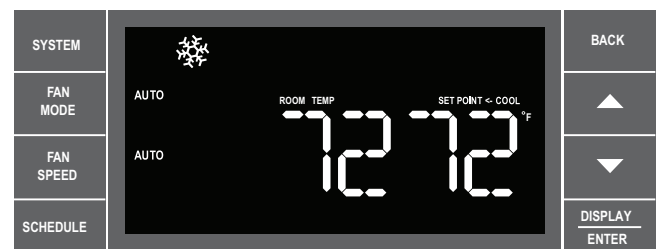
Cada uno de los periodos (afuera, regreso, noche) están programados idénticamente al periodo de despertar. El identificador de periodo apropiado (afuera, regreso, noche) sale en la pantalla después de cada secuencia de programación.

Ya que el usuario ha programado los cuatro periodos, el programa continua al próximo día o grupo de día. Por ejemplo, si días individuales se están programando, el programa continuará de Lunes a Martes, y los cuatro periodos de Martes, hasta que alcance el final de la semana.

AVISO: La secuencia del grupo de día es como lo siguiente: Lunes a Viernes (días entre semana) Sábado a Domingo (fin de semana), Lunes a Domingo (7 días), y días individuales Lunes → Martes → Miércoles → Jueves → Viernes → Sábado → Domingo.

Note que el proceso sigue un ciclo hasta que el usuario decida salir.

Cuando el usuario ha terminado de ajustar las horas de inicio y las opciones (o en cualquier punto del procedimiento) puede oprimir **SCHEDULE** para continuar al próximo día (o grupo de días), o puede oprimir **SCHEDULE** por tres segundos para guardar los cambios y salir del modo de programación. Una vez programado, se puede guardar y salir o seleccionar otro grupo de día pulsando el **SCHEDULE**.



FRR043

Modo de programación completada.


Checklist de instalación final

- ◆ Revise y asegure que todos los componentes y accesorios han sido instalados correctamente y que no se han dañado durante la instalación.
- ◆ Revise los desagües de agua de condensado para asegurar que son adecuados para la eliminación del agua de condensado.
- ◆ Asegurese que todas las instrucciones de instalación relacionados a los espacios alrededor de la unidad se han cumplido. Revise para asegurar que el filtro de aire de la unidad, bobina interior y exterior estén libres de obstrucciones.
- ◆ Asegure que el disyuntor o fusible y el tamaño del cableado de circuito estén del tamaño correcto. Si la unidad recibe electricidad de un cable de alimentación, asegure que este guardado apropiadamente.
- ◆ Asegurese que la instalación cumple con los códigos nacionales y locales y que las ordenanzas tengan jurisdicción.
- ◆ Fije bien los componentes y accesorios, como la tapa decorativa.
- ◆ Inicie la unidad y revise que todo los componentes trabajen en cada modo de operación.
- ◆ Revise la Rutina de Mantenimiento del fabricante.

AVISO: Se recomienda mantener un registro de las fechas de mantenimiento y / o servicio

- ◆ Presente el equipo, el manual de Instalación y Operación, todas las instrucciones de instalación y el número, dirección y teléfono de la Compañía de Servicio autorizada por Friedrich en el área correspondiente para futuras referencias si es necesario. Servicio de Garantía Autorizado de Friedrich local para referencia, si es necesario.


Este es un aparato de clima tibio

Su aire acondicionado esta diseñado para enfriar en clima tibio, cuando la temperatura exterior esté a más de 60° F (15.6° C) y menos de 115° F (46.1° C), para que no enfríe una habitación si esta fresco afuera. Si quiere enfriar una habitación en la primavera o en otoño, seleccione el modo de solo abanico (FAN ONLY)  y ponga el control de Aire Fresco/ Escape de aire a aire fresco. Esto traerá el aire fresco exterior hacia el interior.

Condensacion es normal

Aires acondicionados sacan el calor y la humedad de la habitación hacia afuera. La humedad se convierte a agua, y su aire acondicionado utilizara la mayoría de esa agua para mantener el serpentín exterior fresco. Si hay humedad en exceso, puede ver agua que gotea afuera. Esto es normal.

Escarcha

Esto usualmente ocurre porque no hay suficiente circulación del flujo de aire en los serpentines, un filtro sucio, clima húmedo y fresco, o todo de estos. Coloque el modo del sistema a solo abanico (FAN ONLY)  y la escarcha se desaparecerá. Si programa el termostato a una temperatura más caliente probablemente impedirá que la escarcha ocurra otra vez.

Ruidos

Todos los aires acondicionados hacen ruido. Las unidades de Friedrich están diseñadas para operar lo mas silencioso posible. Una unidad montada en pared es mas silenciosa que una montada en una ventana. Es importante asegurarse que la junta del sello del chasis (artículo 14) se instale correctamente (refiérase al las instrucciones de instalación).

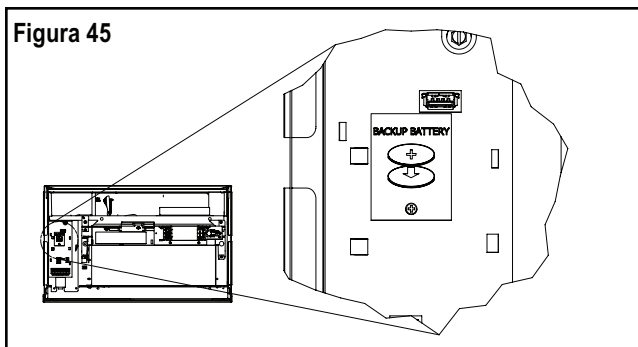
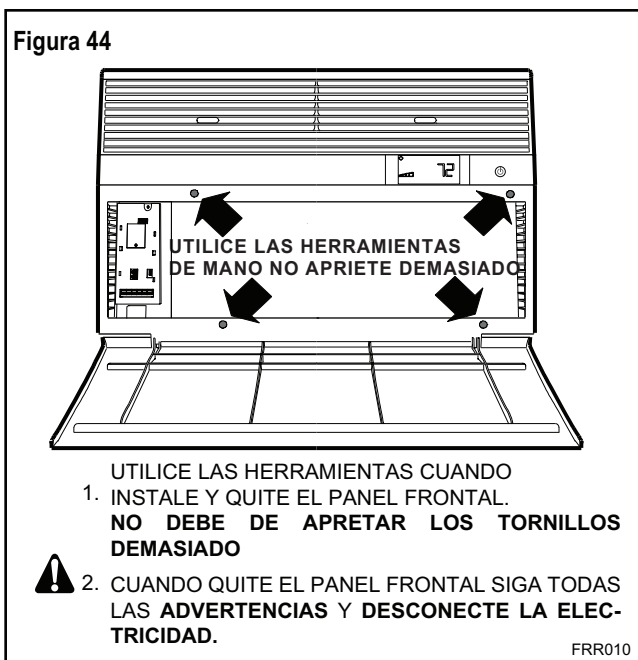
Las bombas de calor funcionan de manera diferente

Hay algunas cosas que usted debe estar al tanto si su unidad es de modelo "Y" o de bomba de calor. Unas funciones de una bomba de calor son diferentes cuando su unidad esté calentando.

1. Es normal que se forme hielo en el serpentín exterior de la bomba de calor. El hielo se forma por la humedad en el aire exterior cuando pase sobre el serpentín frío.
2. Si la temperatura exterior baja a menos de 37° F (3° C), la bomba de calor automáticamente encenderá el calor de la resistencia eléctrica. Cuando sube la temperatura a 40° F (4° C), el compresor reiniciará la operación de la bomba de calor. La unidad de modelo de 115 v (YS10), no tiene una característica de resistencia eléctrica, esta diseñado por el uso en climas mas tibios, y no suministrará suficiente calor para temperaturas más bajas menos de 37° F (2.8° C).


Procedimiento de cambio de la batería del Panel de control

Aflove los cuatro tornillos para quitar la rejilla (vea la figura 44). En la esquina izquierda de arriba, quite un tornillo de la puerta de la batería (vea figura 45). Quite y reemplace la batería (CR2450). Reinstale la puerta de la batería. Alinear la rejilla y apretar los cuatro tornillos. Antes de cerrar la puerta del panel de la rejilla, revise el filtro. Limpie o reemplace si es necesario.



Rutina de Mantenimiento

Para asegurar la operación máxima, los filtros de aire se deben de limpiar mensualmente, y más seguido si se requiere. Debe de apagar la unidad antes de limpiar los filtros.

⚠ ADVERTENCIA	
	<p>Peligro de choque eléctrico</p> <p>Asegúrese de que su enchufe tenga la misma configuración eléctrica que el acondicionador de aire. Si es diferente, consulte a un electricista autorizado.</p> <p>No utilice adaptadores de enchufe. No utilice un cable de extensión. No quite la clavija de tierra.</p> <p>Siempre conecte a un enchufe de tres clavijas. En no cumplir con estas instrucciones se puede ocasionar la muerte, un incendio o un choque eléctrico.</p>

Para quitar, lavar y reemplazar el filtro

Baje el panel frontal (vea figura 2). Para sacar el filtro de su retenedor utilice las agarraderas en el filtro, quite de la unidad (vea figura 3). Limpie el filtro mensualmente o más frecuente si se requiere. Refiérase a la sección de accesorios para las opciones del filtro.

Bobina y Chasis

AVISO: No utilice productos de limpieza cáusticos en los serpentines o en la bandeja. Utilice un producto biodegradable para limpiar y un desengrasante. La utilización de productos fuertes pueden deteriorar las laminas de aluminio o los tubos de cobre del serpentín.

Los serpentines interiores y exteriores y la bandeja se deben revisar periódicamente anual o semi-anual) y limpie todos los desechos (de pelusa, polvo, hojas, papel, etc.) como se requiere. Bajo condiciones más extremas, la limpieza más frecuente se puede requerir. Limpie los serpentines y bandeja con un cepillo suave, aire comprimido, o una aspiradora. Una lavadora de presión también se puede utilizar, pero debe de tener cuidado en no doblar las laminas de aluminio. Cuando limpie los serpentines a presión mueva la dirección del chorro de agua en dirección vertical en el sentido de las láminas de aluminio hacia arriba y abajo.

AVISO: Es muy importante asegurarse de que ninguna de las piezas eléctricas de la unidad se mojen. Asegúrese de tapar todos los componentes electrónicos para protegerlos del agua.

Tapas frontal Decorativa

Para limpiar el área de control utilice un trapo húmedo, para prevenir que entre agua a la unidad y dañe el control eléctrico.

La tapa frontal decorativa y el gabinete se pueden limpiar con agua tibia y un detergente suave. NO DEBE de utilizar disolventes o limpiadores a base de hidrocarburos como la acetona, nafta, gasolina, benceno, etc. El serpentín interior se puede limpiar con el cepillo que viene con la aspiradora.

NO DOBLE LAS LAMINAS. Si tiene acceso al serpentín exterior, se puede limpiar con una manguera. Puede contactar a su distribuidor para una limpieza más profunda.

El filtro de aire se debe revisar y limpiar semanalmente si es necesario, con el adjunto de polvo que viene con la aspiradora o con agua tibia y con un detergente suave. Seque el filtro completamente antes de reinstalar. Tenga cuidado, la superficie de la bobina puede estar filosa.

Motor de abanico y compresor

El motor del abanico y el compresor están lubricados permanentemente, y no requieren lubricación adicional.

Marco

Periódicamente revise el interior del marco y del sistema de desagüe (anual o semi-anual) y limpie como vea necesario. Bajo condiciones más extremas, limpiar la unidad más seguido puede ser requerido. Limpie el marco y el sistema utilizando un limpiador antibacterial y antifongos y enjuague. Asegúrese que las salidas del drenaje estén trabajando correctamente. Revise el sello alrededor del marco y selle las áreas necesarias.

Servicio y Asistencia

Antes de llamar por asistencia, por favor revise la sección de "Sugerencias para problemas frecuentes" en las páginas 40 y 41. Esto le podrá ayudar a resolver su problema, evite llamadas innecesarias, y ahorre el costo de la llamada si el problema no está relacionado con el producto. Si ya reviso los "Problemas frecuentes" y todavía requiere asistencia, siga las siguientes direcciones:

Puedes encontrar el nombre de su proveedor de Servicio Autorizado en la página www.friedrich.com.

Si requiere mas asistencia

Puedes llamar el Centro de llamadas de atención al cliente **1-800-541-6645**.

Antes de llamar, asegúrese que tenga el numero de modelo, número de serie y la fecha de compra de su unidad disponible. Con esta información, le podríamos ayudar mejor.

Nuestros especialistas le pueden ayudar con:

- ◆ Especificaciones y características de nuestro equipo
- ◆ Referencias a los distribuidores.
- ◆ Información de uso y cuidado
- ◆ Procedimientos de mantenimiento recomendados.
- ◆ Información de instalación
- ◆ Referencias a los proveedores de servicios autorizados y depósitos

Accesorios Disponibles

DC-Estuche de Drenaje 2 – Num. 01900235

En algunas instalaciones, el exceso de agua de condensación es causada por las condiciones extremadamente húmedas, y puede resultar en el goteo indeseable.

El MODELO DC-ESTUCHE DE DRENAJE (Num. 01900-235) se puede instalar para drenar el exceso de condensación hacia otra ubicación.

Estuche de filtro de carbón

Los estuches varían dependiendo del tamaño del chasis (chico, mediano, grande). Cada estuche contiene tres filtros.

WCFS - Estuche de filtro de carbón para modelos de chasis chico

WCFM - Estuche de filtro de carbón para modelos de chasis mediano

WCFL - Estuche de filtro de carbón para modelos de chasis grande

Termostato de pared remoto

RT4 – Termostato de pared digital cableado con abanico de una velocidad.

RT5 Termostato de pared digital cableado con abanico de dos velocidades, con batería de respaldo y pantalla retroiluminada.

Estuches de instalación de ventana (Estándar en modelos Kühl sin calefacción)

KWIKS – Para todos los modelos ES y YS

KWIKM – Para todos los modelos EM y YM

KWIKL – Para todos los modelos EL y YL

Visite www.friedrich.com para accesorios adicionales para su unidad.

Sugerencias para problemas frecuentes

QUEJA	CAUSA	SOLUCIÓN
La unidad no funciona	<ul style="list-style-type: none"> La unidad está apagada, o el termostato está satisfecho. 	<ul style="list-style-type: none"> Encienda la unidad, aumente y disminuya la temperatura (como vea necesario) para iniciar operación.
	<ul style="list-style-type: none"> El cable de alimentación de LCDI no esta conectado. 	<ul style="list-style-type: none"> Conecte a un enchufe de tierra de tres clavijas. Vea "Tablas de Clasificación Eléctricas" en la página 6 para el enchufe adecuado para su unidad.
	<ul style="list-style-type: none"> El cable de alimentación de LCDI ha fallado (el botón de RESET se ha salido) 	<ul style="list-style-type: none"> Oprima y suelte RESET (escuche por el clic, el botón se queda adentro) para continuar el funcionamiento.
	<ul style="list-style-type: none"> El disyuntor ha fallado, o el fusible del circuito de alimentación se ha quemado. 	<ul style="list-style-type: none"> Reinicie el disyuntor, o reemplace el fusible. Si el problema continua, llame a un electricista autorizado.
	<ul style="list-style-type: none"> La electricidad ha fallado localmente. 	<ul style="list-style-type: none"> Cuando la electricidad este restaurada, la unidad continuará a su operación normal.
La unidad tiene fallas con el disyuntor o quema fusibles.	<ul style="list-style-type: none"> Otros aparatos están utilizando el mismo circuito. 	<ul style="list-style-type: none"> La unidad requiere un circuito delicado, no debe de compartir con otros aparatos.
	<ul style="list-style-type: none"> Un cable de extensión se está utilizando. 	<ul style="list-style-type: none"> No utilice un cable de extensión con este o cualquier otro aire acondicionado.
	<ul style="list-style-type: none"> El disyuntor o el fusible del retraso de tiempo no son de la clasificación apropiado. 	<ul style="list-style-type: none"> Reemplace con un disyuntor o fusible de tiempo de retraso con la clasificación adecuada. Vea "Tablas de clasificación eléctrica" en la pagina 6. Si el problema continua llame a un electricista autorizado.
El cable de alimentación de LCDI (El botón de RESET se sale)	<ul style="list-style-type: none"> El cable de alimentación de LCDI ha fallado (el botón de RESET se ha salido) debido a obstrucciones a su alimentación de electricidad. 	<ul style="list-style-type: none"> Oprima y suelte RESET (escuche el clic, el botón se queda adentro) para continuar con el funcionamiento.
	<ul style="list-style-type: none"> Sobrecarga de electricidad, sobrecalentamiento o un corte en el cable (el botón de RESET se ha salido) pueden hacer que falle el cable de alimentación de LCDI. 	<ul style="list-style-type: none"> Cuando el problema se ha determinado y resuelto, oprima y suelte RESET (escuche el clic, RESET se queda adentro) para continuar con la operación normal.
	<p>AVISO: Un cable de alimentación eléctrica se debe reemplazar con un cable nuevo del fabricante de la unidad, no se debe de reparar.</p>	
La unidad no enfria/calienta la habitación suficiente, o se enciende y apaga muy seguido.	<ul style="list-style-type: none"> La rejilla de aire de retorno / descarga está bloqueada. 	<ul style="list-style-type: none"> Asegúrese que los pasos al aire de retorno / descarga estén libres de obstrucciones (muebles, cortinas, etc.)
	<ul style="list-style-type: none"> Ventanas o puertas hacia el exterior están abiertas. 	<ul style="list-style-type: none"> Asegúrese que las ventanas y las puertas estén cerradas.
	<ul style="list-style-type: none"> La temperatura no está ajustada correctamente (muy fresco o caliente) 	<ul style="list-style-type: none"> Ajuste el control de la temperatura (aumenta /disminuye)
	<ul style="list-style-type: none"> El filtro está sucio o tiene obstrucciones 	<ul style="list-style-type: none"> Limpie el serpentín (vea mantenimiento de rutina) o quite la obstrucción.
	<ul style="list-style-type: none"> La bobina interior / exterior está sucia o tiene obstrucciones. 	<ul style="list-style-type: none"> Limpie la bobina (vea mantenimiento de rutina) o quite la obstrucción.
	<ul style="list-style-type: none"> Hay un exceso de calor o humedad en la habitación (cocinando, duchas, etc.) 	<ul style="list-style-type: none"> Asegúrese de utilizar el ventilador de escape de aire cuando este cocinado, bañándose, o si es posible no utilice aparatos que producen calor en las horas más calientes del día.
	<ul style="list-style-type: none"> La temperatura de la habitación que quiere enfriar esta demasiada alta. 	<ul style="list-style-type: none"> Permite tiempo adicional para que el aire acondicionado enfríe una habitación caliente.

Sugerencias para problemas frecuentes (continuado)

QUEJA	CAUSA	SOLUCIÓN
<p>La unidad no enfría/calienta la habitación suficiente, o se enciende y apaga muy seguido (continuo).</p>	<ul style="list-style-type: none"> La temperatura exterior está a menos de 60° F (16° C). 	<ul style="list-style-type: none"> No intente utilizar su aire acondicionado en el modo de enfriamiento (cooling) si la temperatura exterior está a menos de 60° F (16° C). La unidad no enfriará apropiadamente, y se puede dañar.
	<ul style="list-style-type: none"> El control digital está programado a un modo de ciclo de abanico y pueden resultar áreas calientes o frías. 	<ul style="list-style-type: none"> Como el abanico no circula el aire de la habitación continuamente en este ajuste, el aire de la habitación no se mezcla tan bien. Se recomienda utilizar el ajuste de abanico de continuo (continuous fan) para obtener la máxima comodidad.
	<ul style="list-style-type: none"> El aire acondicionado no tiene la suficiente capacidad de enfriamiento para coincidir con el calor que aumentó en la habitación. 	<ul style="list-style-type: none"> Revise la capacidad de enfriamiento de su unidad para asegurar que sea de tamaño adecuado para la habitación que lo ocupa. Los aires acondicionados de habitación no están diseñados para refrescar varias habitaciones.
	<ul style="list-style-type: none"> El aire acondicionado no tiene la suficiente capacidad de calefacción para coincidir con la disminución de calor en la habitación. 	<ul style="list-style-type: none"> Revise la capacidad de calentamiento de su unidad. Aires acondicionados están diseñados para coincidir con la carga de enfriamiento, y el tamaño de la calefacción está diseñado para la carga de calentamiento. En climas extremos del norte, aires acondicionados de habitación no se podrán utilizar como el único método de calentamiento.
<p>La unidad trabaja mucho</p>	<ul style="list-style-type: none"> Puede ser debido a una sobrecarga de calor en la habitación. 	<ul style="list-style-type: none"> Si hay aparatos que producen calor en la habitación o si hay demasiada gente en la habitación, la unidad tendrá que trabajar más tiempo para disminuir el calor adicional.
	<ul style="list-style-type: none"> Puede ser debido a una unidad del tamaño inadecuado. 	<ul style="list-style-type: none"> Asegurarse de utilizar el ventilador de escape de aire cuando este cocinado, bañándose, o si es posible no utilice aparatos que producen calor en las horas más calientes del día.
	<ul style="list-style-type: none"> Puede ser normal para aires acondicionados de alta eficiencia (EER). 	<ul style="list-style-type: none"> El uso de componentes de alta eficiencia puede resultar en que su unidad trabaje por más tiempo que el que debe. Esto puede ser más notable si acaba de reemplazar un modelo más antiguo o menos eficiente. El uso de energía actual, es menor que en otros modelos.
	<ul style="list-style-type: none"> Puede notar que el aire que sale de su nuevo aire acondicionado no se siente tan frío como puede estar acostumbrado con modelos anteriores. Esto no significa que la capacidad de enfriamiento es menor. 	<ul style="list-style-type: none"> El ratio de la eficiencia de energía (EER) y la clasificación de la capacidad de enfriamiento (Btu/h) se podrán encontrar en la placa de clasificación de la unidad.

Apéndice 1

Tabla de programación con los valores de ahorro de energía

											Cool, Heat, Auto, Fan Only, Skip, OFF
											(enfriar, calefacción, auto, solo abanico, brinca, apagar)
Días de la semana	Periodo	Panel Frontal Pre-determinado	Control de pared Pre-determinado	Modo Pre-determinado	Modo de abanico	Velocidad de abanico	Ajuste Cool (SSPC)	Ajuste Heat (SSPH)	Ajuste automático Cool (SASPC)	Ajuste automático Heat (SASP)	Hora
Lunes	Despertar	ENCENDIDO	APAGADO	ENFRIAR	Auto	Bajo	78	70	78	70	6:00AM
Lunes	Fuera	ENCENDIDO	APAGADO	ENFRIAR	Auto	Bajo	85	62	85	62	8:00 AM
Lunes	Retorno	ENCENDIDO	APAGADO	ENFRIAR	Auto	Bajo	78	70	78	70	6:00PM
Lunes	Noche	ENCENDIDO	APAGADO	ENFRIAR	Auto	Bajo	82	62	82	62	10:00PM
Días de la semana	Periodo	Panel Frontal Pre-determinado	Control de pared Pre-determinado	Modo Pre-determinado	Modo de abanico	Velocidad de abanico	Ajuste Cool (SSPC)	Ajuste Heat (SSPH)	Ajuste automático Cool (SASPC)	Ajuste automático Heat (SASP)	Hora
Martes	Despertar	ENCENDIDO	APAGADO	ENFRIAR	Auto	Bajo	78	70	78	70	6:00 AM
Martes	Fuera	ENCENDIDO	APAGADO	ENFRIAR	Auto	Bajo	85	62	85	62	8:00 AM
Martes	Regreso	ENCENDIDO	APAGADO	ENFRIAR	Auto	Bajo	78	70	78	70	6:00 PM
Martes	Noche	ENCENDIDO	APAGADO	ENFRIAR	Auto	Bajo	82	62	82	62	10:00PM
Días de la semana	Periodo	Panel Frontal Pre-determinado	Control de pared Pre-determinado	Modo Pre-determinado	Modo de abanico	Velocidad de abanico	Ajuste Cool (SSPC)	Ajuste Heat (SSPH)	Ajuste automático Cool (SASPC)	Ajuste automático Heat (SASP)	Hora
Miércoles	Despertar	ENCENDIDO	APAGADO	ENFRIAR	Auto	Bajo	78	70	78	70	6:00 AM
Miércoles	Fuera	ENCENDIDO	APAGADO	ENFRIAR	Auto	Bajo	85	62	85	62	8:00 AM
Miércoles	Regreso	ENCENDIDO	APAGADO	ENFRIAR	Auto	Bajo	78	70	78	70	6:00 PM
Miércoles	Noche	ENCENDIDO	APAGADO	ENFRIAR	Auto	Bajo	82	62	82	62	10:00PM
Días de la semana	Periodo	Panel Frontal Pre-determinado	Control de pared Pre-determinado	Modo Pre-determinado	Modo de abanico	Velocidad de abanico	Ajuste Cool (SSPC)	Ajuste Heat (SSPH)	Ajuste automático Cool (SASPC)	Ajuste automático Heat (SASP)	Hora
Jueves	Despertar	ENCENDIDO	APAGADO	ENFRIAR	Auto	Bajo	78	70	78	70	6:00 AM
Jueves	Fuera	ENCENDIDO	APAGADO	ENFRIAR	Auto	Bajo	85	62	85	62	8:00 AM
Jueves	Regreso	ENCENDIDO	APAGADO	ENFRIAR	Auto	Bajo	78	70	78	70	6:00 PM
Jueves	Noche	ENCENDIDO	APAGADO	ENFRIAR	Auto	Bajo	82	62	82	62	10:00PM
Días de la semana	Periodo	Panel Frontal Pre-determinado	Control de pared Pre-determinado	Modo Pre-determinado	Modo de abanico	Velocidad de abanico	Ajuste Cool (SSPC)	Ajuste Heat (SSPH)	Ajuste automático Cool (SASPC)	Ajuste automático Heat (SASP)	Hora
Viernes	Despertar	ENCENDIDO	APAGADO	ENFRIAR	Auto	Bajo	78	70	78	70	6:00AM
Viernes	Fuera	ENCENDIDO	APAGADO	ENFRIAR	Auto	Bajo	85	62	85	62	8:00 AM
Viernes	Regreso	ENCENDIDO	APAGADO	ENFRIAR	Auto	Bajo	78	70	78	70	6:00PM
Viernes	Noche	ENCENDIDO	APAGADO	ENFRIAR	Auto	Bajo	82	62	82	62	10:00PM
Días de la semana	Periodo	Panel Frontal Pre-determinado	Control de pared Pre-determinado	Modo Pre-determinado	Modo de abanico	Velocidad de abanico	Ajuste Cool (SSPC)	Ajuste Heat (SSPH)	Ajuste automático Cool (SASPC)	Ajuste automático Heat (SASP)	Hora
Sábado	Despertar	ENCENDIDO	APAGADO	ENFRIAR	Auto	Bajo	78	70	78	70	6:00AM
Sábado	Fuera	ENCENDIDO	APAGADO	ENFRIAR	Auto	Bajo	85	62	85	62	8:00 AM
Sábado	Regreso	ENCENDIDO	APAGADO	ENFRIAR	Auto	Bajo	78	70	78	70	6:00 PM
Sábado	Noche	ENCENDIDO	APAGADO	ENFRIAR	Auto	Bajo	82	62	82	62	10:00PM
Días de la semana	Periodo	Panel Frontal Pre-determinado	Control de pared Pre-determinado	Modo Pre-determinado	Modo de abanico	Velocidad de abanico	Ajuste Cool (SSPC)	Ajuste Heat (SSPH)	Ajuste automático Cool (SASPC)	Ajuste automático Heat (SASP)	Hora
Domingo	Despertar	ENCENDIDO	APAGADO	ENFRIAR	Auto	Bajo	78	70	78	70	6:00AM
Domingo	Fuera	ENCENDIDO	APAGADO	ENFRIAR	Auto	Bajo	85	62	85	62	8:00 AM
Domingo	Regreso	ENCENDIDO	APAGADO	ENFRIAR	Auto	Bajo	78	70	78	70	6:00 PM
Domingo	Noche	ENCENDIDO	APAGADO	ENFRIAR	Auto	Bajo	82	62	82	62	10:00PM



F R I E D R I C H

**Friedrich Air Conditioning Company
10001 Reunion Place, Suite 500
San Antonio, Tx 78216
1-800-541-6645
www.friedrich.com**

**AIRE ACONDICIONADO DE HABITACIÓN
GARANTÍA LIMITADA
EL PRIMER AÑO**

CUALQUIER PIEZA: Si cualquier pieza suministrada por FRIEDRICH falla debido a un defecto de fabricación o de material dentro de los doce meses a partir de la fecha original de compra, FRIEDRICH reparará el producto sin costo adicional, siempre cuando el aire acondicionado de la habitación esté accesible para servicio. El propietario será responsable de cualquier costo adicional de mano de obra para desinstalar unidades inaccesibles y/o cargos relacionados con los viajes de una agencia de servicio que excede de 25 millas. Esta garantía sólo será válida 12 meses después de la fecha de compra original.

SEGUNDO A QUINTO AÑO

SISTEMA DE ENFRIAMIENTO: Si el sistema de enfriamiento (para este propósito se define como el compresor, serpentín de evaporador y del condensador, válvula de retorno, válvula de retención, capilar, filtro, secador, todas las tuberías de interconexión) suministrados por FRIEDRICH fallan debido a un defecto de fabricación o de material dentro de los sesenta meses a partir de la fecha original de compra, FRIEDRICH pagará un subsidio de mano de obra y las partes necesarias para reparar el sistema de enfriamiento, asumiendo que FRIEDRICH no pagará el costo del diagnóstico del problema, desinstalación, los gastos de flete y transporte del aire acondicionado a la Agencia de Servicio, y los cargos asociados con la reparación y la reinstalación del sistema de refrigerante sellado. Todos los gastos se harán de la exclusiva responsabilidad del propietario. Esta garantía sólo será válida 60 meses después de la fecha de compra original.

APLICABILIDAD Y LIMITACIONES: Esta garantía sólo es aplicable a las unidades dentro de los cincuenta estados de los EE.UU., Distrito de Columbia y Canadá.

Esta garantía no se aplica a:

1. Filtros de aire o fusibles.
2. Productos en los que los números de modelo y de serie han cambiado.
3. Los productos que tienen defectos o daños que son debidos a una mala instalación, cableado, corriente eléctrica, o mantenimiento; accidente, abuso, negligencia, mal uso, incendios, inundaciones, alteraciones, unidades instaladas en una atmósfera corrosiva, retraso en funcionamiento debidos a la guerra, restricciones del gobierno, huelgas, provocados por la escasez de materiales fuera del control de FRIEDRICH, o actos de Dios

OBTENIENDO RESULTADOS DE LA GARANTIA: El servicio será suministrado por el distribuidor autorizado de servicio o la Organización de Servicio de FRIEDRICH en su área. Se podrán encontrar en las Páginas Amarillas. Si se requiere asistencia con la garantía, escriba a: Room Air Conditioner Service Manager, Friedrich Air Conditioning Co., P.O. Box 1540, San Antonio, TX 78216-1540.

LIMITACIONES: ESTA GARANTÍA SE DA EN LUGAR DE CUALQUIER OTRA GARANTÍA Cualquier objeto incluido en esta garantía, CUALQUIER GARANTÍA IMPLÍCITA PARA UN PROPÓSITO EN PARTICULAR Y/O MERCANTIL SERA LIMITADA POR LA DURACION DE ESTA GARANTIA. EL FABRICANTE DECLARA EXPLICITAMENTE Y SE DESLINDA DE CUALQUIER RESPONSABILIDAD POR DAÑOS CONSECUENTES O INCIDENTALES POR INCUMPLIMIENTOS EN ACUERDOS DE CUALQUIER GARANTIA EXPLICITA O IMPLICITA.

AVISO: Algunos estados no permiten limitaciones en la duración de una garantía, o no permiten la limitación o exclusión de consecuencias o daños indirectos o incidentales; por lo que las exclusiones y las limitaciones anteriores no se aplicaran a usted.

OTROS: Esta garantía le da derechos legales específicos para que reciba servicios relacionados con la garantía.

COMPROBANTE DE COMPRA: El propietario debe entregar el comprobante de compra para poder recibir servicios de garantía .

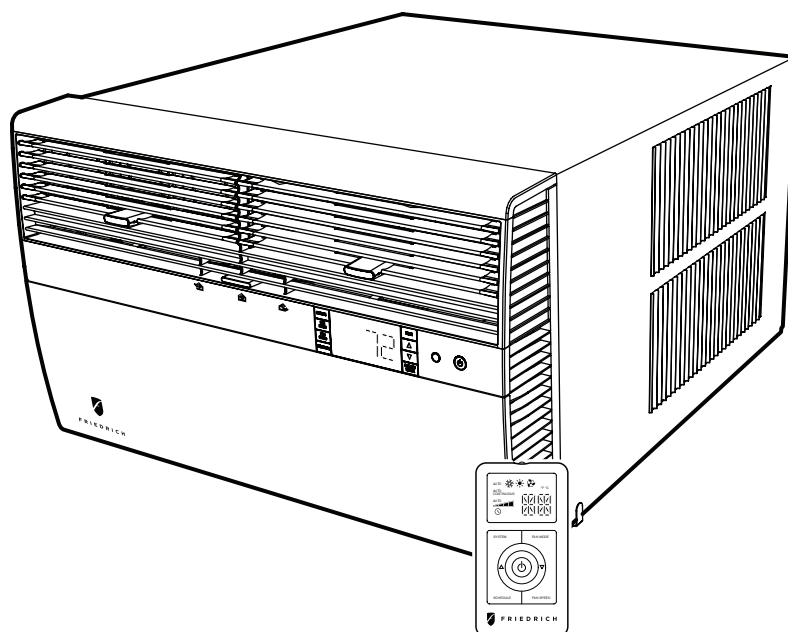
Todas las llamadas de servicio para explicar el funcionamiento de este producto, será responsabilidad del consumidor.

La agencia de servicio autorizado de FRIEDRICH debe de dar servicio de garantía, o FRIEDRICH debe dar autorización antes que se haga la reparación.



FRIEDRICH

Climatiseurs Individuels



Modèles pour fenêtres à guillotine

Kühl

115-Volts: SS08M10, SS10M10, SS12M10, SS14M10
208-230-Volts: SS12M30, SS15M30, SM18M30, SM21M30
SM24M30, SL28M30, SL36M30

Kühl+

Chauffage électrique

Kühl+

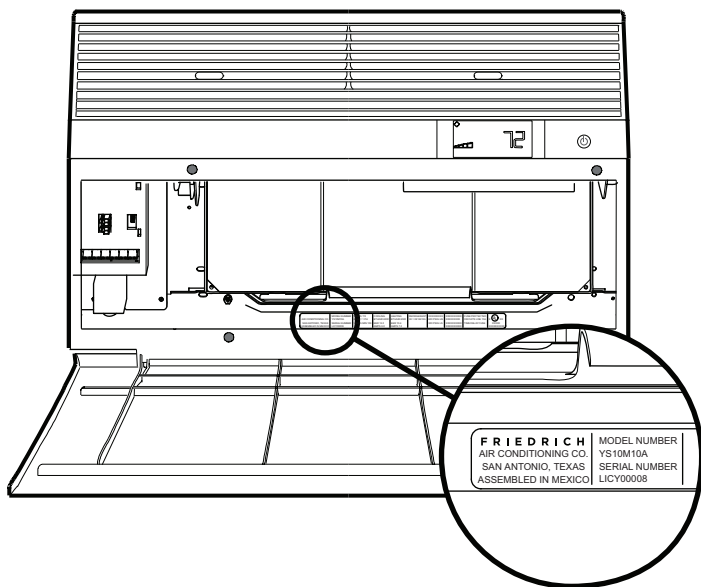
Thermopompe

115-Volts: YS10M10
208-230-Volts: ES12M33, ES15M33, YS12M33, EM18M34,
YM18M34, EM24M34, EL36M35, YL24M35

Merci d'avoir choisi Friedrich !

Votre nouveau climatiseur haute-efficacité a été conçu et fabriqué avec soin afin de vous fournir une température et un niveau d'humidité confortables, avec constance et efficacité pendant de nombreuses années. Les nouvelles caractéristiques de cet appareil assurent un fonctionnement silencieux et optimisent la circulation d'air frais et sec tout en économisant au maximum les ressources énergétiques.

Tout le personnel VOUS REMERCIE pour votre confiance dans la qualité des appareils Friedrich.



Enregistrez votre climatiseur

Vous trouverez les renseignements concernant le modèle sur la plaque signalétique située derrière le panneau de façade de l'appareil.

Veillez remplir le certificat d'enregistrement fourni avec ce produit et l'expédier par la poste ou vous enregistrer en ligne sur le site www.friedrich.com (pour les États-Unis uniquement). Pour votre usage personnel, vous pouvez recopier ces renseignements ci-dessous.

NUMÉRO DE MODÈLE

NUMÉRO DE SÉRIE

DATE D'ACHAT

Table des matières

Pour votre sécurité	4
Déballage de l'appareil	5
AVERTISSEMENT : Avant de mettre l'appareil en marche	6
Nettoyage / installation du filtre standard	7
Installation du filtre au charbon	8
Le panneau de commandes de l'appareil	10
Connexion d'un thermostat mural	14
Utilisation de la télécommande	14
Efficacité de la télécommande	15
Sélection et réglage du flux d'air	15
Instructions d'installation	17
Installation en fenêtre à guillotine	18
Changement d'orientation du cordon	20
Installation à travers le mur	30
Thermostat programmable	32
Liste de vérification finale	36
Entretien périodique	38
Dépannage et assistance	39
Accessoires disponibles	39
Diagnostic de dépannage	39
Annexe 1	40
Annexe 1	42

Pour votre sécurité

La sécurité est primordiale, pour vous comme pour votre entourage.

Vous trouverez dans ce manuel et sur l'appareil plusieurs messages de sécurité. Veuillez respecter systématiquement leurs indications.



Ceci est un symbole d'alerte.

Il attire votre attention sur un risque potentiel de blessures ou un danger de mort.

Il est toujours suivi de « AVERTISSEMENT » ou « ATTENTION ».

Voici la signification de ces mots.



AVERTISSEMENT

Indique un danger qui, s'il n'est pas évité, peut provoquer des blessures graves ou fatales et endommager l'équipement et d'autres biens.



ATTENTION

Indique un danger qui, s'il n'est pas évité, peut provoquer des blessures et endommager l'équipement et d'autres biens.

Tous les messages vous informent sur la nature du danger et la manière de l'éviter ainsi que sur les conséquences en cas de négligence.

IMPORTANT

Indique un risque de dommages matériels en cas de non-respect des instructions.



AVERTISSEMENT



Système de réfrigération sous pression.

Ne pas percer ni incinérer. Éloigner de toute flamme et de toute source de chaleur. Les réparations et l'entretien ne doivent être effectués que par un technicien qualifié en réfrigération.

Les pressions utilisées pour le R410A sont supérieures à celles du R22. À chaque intervention technique, prendre toutes les précautions recommandées.

Utiliser exclusivement des collecteurs conçus pour du R410A et non pour du R22.

Déballage de l'appareil

ÉTAPE 1. Coupez les courroies d'emballage.

ÉTAPE 2. Retirez les armatures d'expédition en bois.

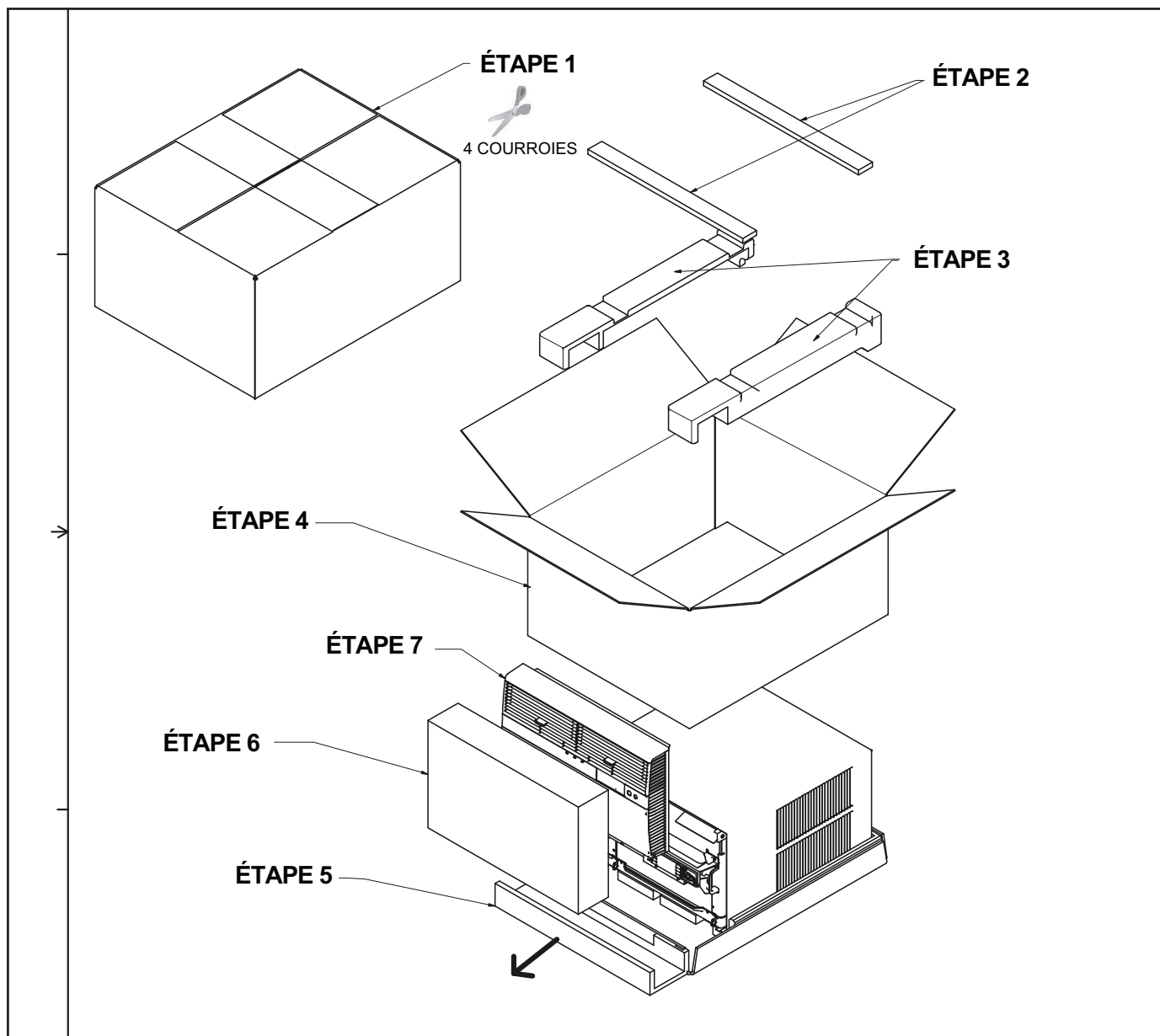
ÉTAPE 3. Retirez les coins supérieurs en mousse.

ÉTAPE 4. Enlevez délicatement le carton extérieur en prenant soin de ne pas faire tomber le panneau avant de l'appareil.

ÉTAPE 5. Faites glisser le support en mousse vers l'avant.


ÉTAPE 6. Soulevez délicatement l'emballage du panneau de façade de son support en mousse.

ÉTAPE 7. Déballez le panneau de façade et mettez-le de côté.



AVERTISSEMENT : Avant de mettre l'appareil en marche

⚠ AVERTISSEMENT



Risque d'électrocution

Assurez-vous que votre prise électrique murale soit du type correspondant à la prise du climatiseur. Si ce n'est pas le cas, faites appel à un électricien professionnel. N'utilisez pas d'adaptateur de prise. N'utilisez pas de cordon de rallonge. N'enlevez pas la broche de mise à la terre. Branchez uniquement sur une prise pour 3 broches, reliée à la terre. Coupez l'alimentation électrique avant une réparation ou une

Assurez-vous que votre circuit électrique convienne au climatiseur.

S'il y a des fusibles, ceux-ci doivent être du type à retardement. Avant d'installer ou de déplacer cet appareil, veillez à ce que les caractéristiques d'intensité du disjoncteur ou du fusible à retardement ne dépassent pas les valeurs indiquées au tableau 1.

N'utilisez JAMAIS un cordon de rallonge.

Le cordon électrique fourni est conçu pour supporter le courant d'alimentation du climatiseur, ce qui n'est peut-être pas le cas d'un cordon de rallonge.

Assurez-vous que votre prise murale soit compatible avec la fiche fournie avec l'appareil.

La mise à la terre doit être adéquate et permanente. Une prise murale pour deux broches doit être remplacée par un modèle avec prise de terre par un électricien professionnel. La prise murale avec mise à la terre doit être conforme au Code canadien de l'électricité. Vous devez impérativement utiliser la fiche à trois broches livrée avec le climatiseur. Vous ne devez en aucun cas enlever la broche de mise à la terre.

Testez le cordon d'alimentation

Tous les climatiseurs individuels Friedrich sont livrés avec un cordon d'alimentation équipé d'un protecteur contre le courant de fuite. Ce dispositif situé à l'extrémité du cordon électrique répond aux normes L et NEC sur l'alimentation électrique des climatiseurs individuels.





Pour tester le cordon d'alimentation :

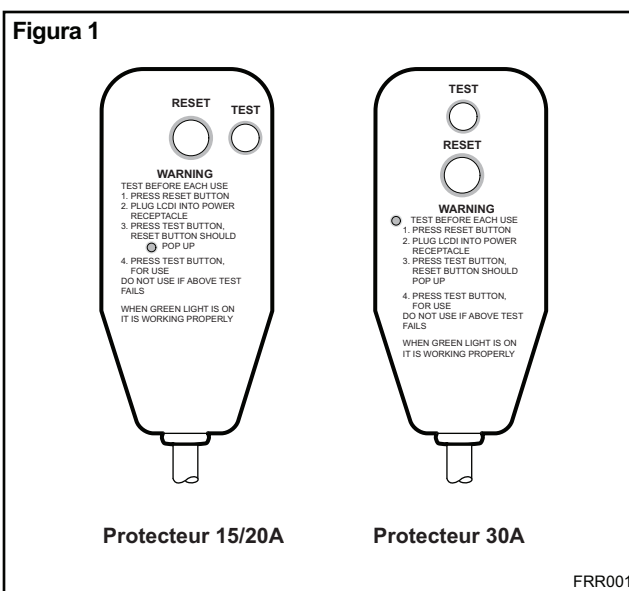
1. **Branchez - le sur une prise murale 3 broches.**
2. **Appuyez sur RESET** (voir figure 1).
3. **Appuyez sur TEST** (vous entendrez un déclic). Le bouton RESET se déclenche et ressort.
4. **Enfoncez et relâchez le bouton RESET** (vous entendrez un déclic; le bouton RESET se verrouille en position enfoncée).
Votre cordon d'alimentation est prêt à l'emploi.

IMPORTANT

Ne vous servez pas du protecteur contre le courant de fuite en tant qu'interrupteur marche/arrêt.
Ne pas observer cette recommandation peut entraîner une défaillance prématurée de l'équipement.

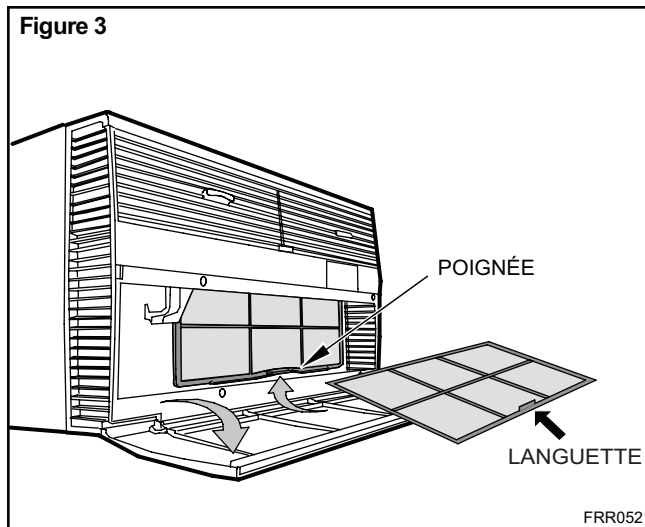
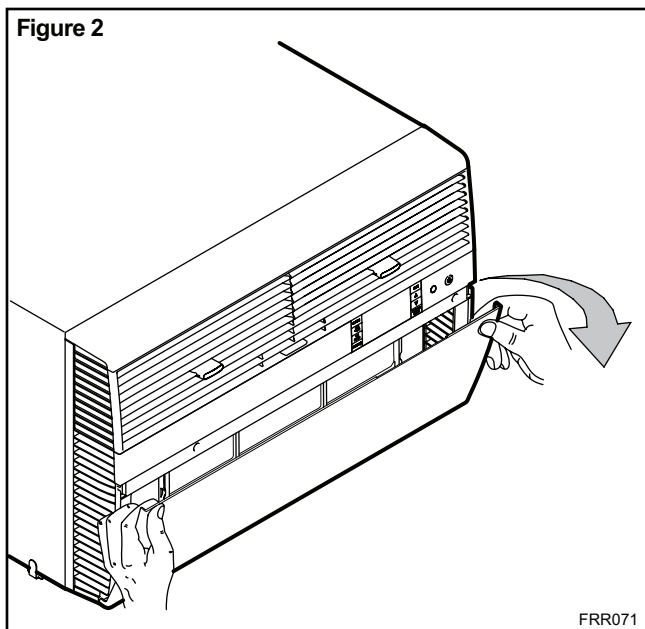
Une fois branché, l'appareil fonctionnera normalement sans qu'il soit nécessaire de réinitialiser le protecteur. Si celui-ci ne se déclenche pas lors du test ou si le cordon d'alimentation est endommagé, il doit être remplacé par un modèle identique. Appelez notre service technique au (800) 541-6645. Pour accélérer le service, munissez-vous de votre numéro de modèle.

Tableau 1.				
MODÈLE	FUSIBLE À RETARDEMENT / TENSION CIRCUIT		PRISE MURALE REQUISE	
	AMPÈRES	VOLTS	N° NEMA	
SS08M10, SS10M10, SS12M10, SS14M10, YS10M10	15	125	5-15R	
SS12M30, SS15M30, SM18M30, SM21M30	15	250	6-15R	
SM24M30, SL28M30, ES12M33, ES15M33, YS12M33	20	250	6-20R	
SL36M30, EM18M34, EM24M34, EL36M35, YM18M34, YL24M35	30	250	6-30R	



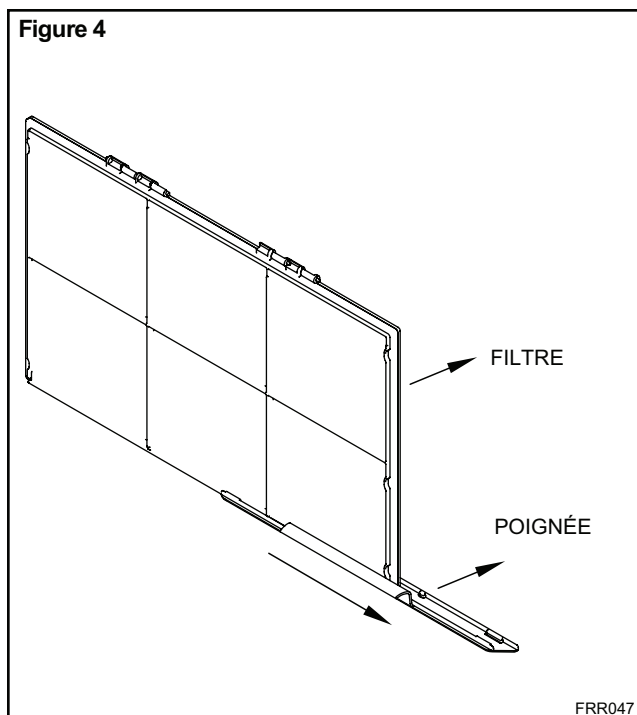
Nettoyage / installation du filtre standard

ÉTAPE 1. Abaissez le panneau de façade, saisissez le porte-filtre par sa poignée et soulevez-le pour le tirer vers l'extérieur.

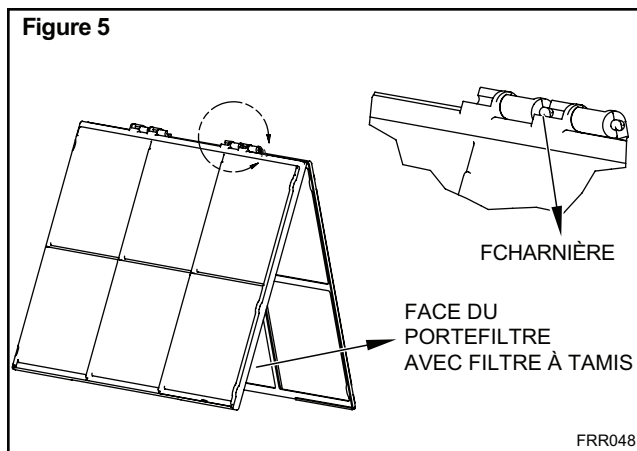


ÉTAPE 2. Enlevez la poignée en la faisant coulisser. Voir figure 4.

NOTE: Tenez le porte-filtre avec le côté filtre vers vous.



ÉTAPE 3. Ouvrez le porte-filtre. Dépoussiérez le filtre. Si nécessaire, utilisez une solution de savon doux. Laissez sécher.



ÉTAPE 4. Installez à nouveau la poignée sur le porte-filtre en la faisant coulisser.

NOTE: La poignée du porte-filtre ne peut s'insérer que d'un seul côté. Si elle est bloquée par la languette du cadre, insérez-la par l'autre côté. Faites-la coulisser sans forcer.

ÉTAPE 5. Réinstallez le filtre dans l'appareil. Suivez les instructions qui se trouvent sur la face intérieure du panneau de façade de l'appareil.

Installation du filtre au charbon

ÉTAPE 1. Retirez le filtre de l'appareil selon les instructions figurant à l'intérieur du panneau de façade.

ÉTAPE 2. En tenant le filtre par le haut, enlevez la poignée en la faisant coulisser (voir figure 4).

ÉTAPE 3. Pour enlever le filtre au charbon usé, posez le portefiltre à plat et ouvrez-le tel qu'indiqué à la figure 6.

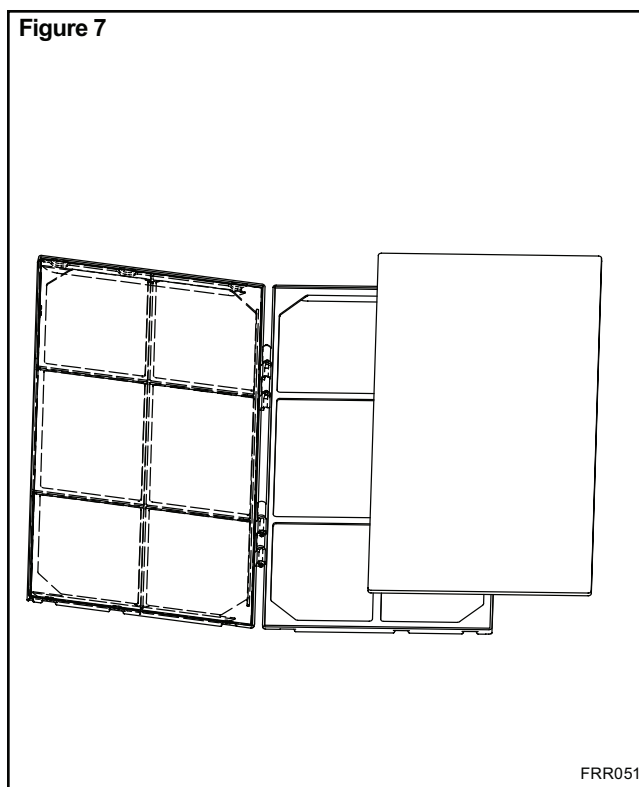
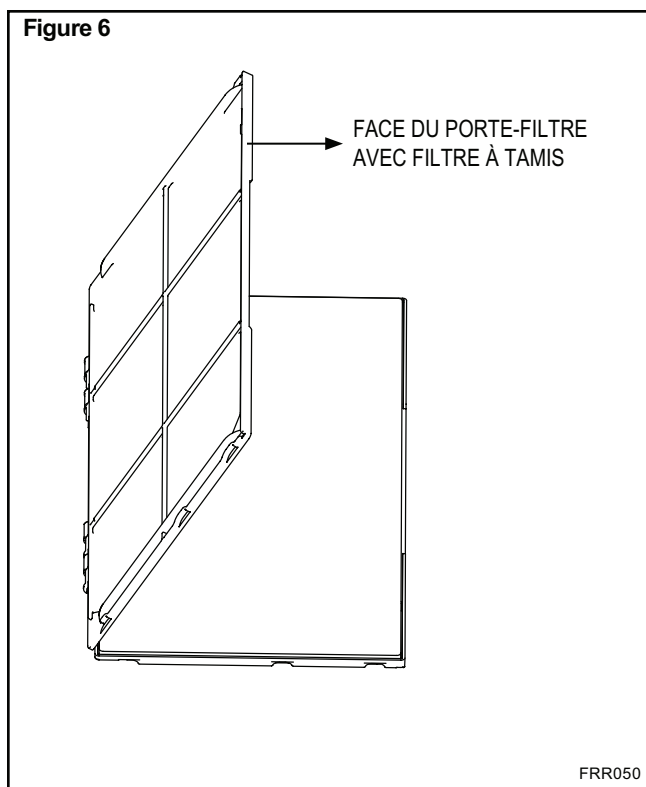
NOTE: NOTE : Tenez le porte-filtre avec le côté filtre face à vous.

ÉTAPE 4. Posez le nouveau filtre au charbon sur le fond du portefiltre. Le filtre au charbon a été coupé aux dimensions du porte-filtre comme le montre la figure 7.

NOTE: Le filtre au charbon n'est pas réutilisable et doit être remplacé tous les trois mois pour être réellement efficace.

ÉTAPE 5. Remettez en place la poignée coulissante sur le portefiltre pour le refermer et installez celui-ci dans l'appareil en suivant les instructions du panneau de façade.

AVISO: La poignée du porte-filtre ne peut s'insérer que d'un seul côté. Si elle est bloquée par la languette du cadre, insérez-la par l'autre côté. Faites-la coulisser sans forcer.



CETTE PAGE EST LAISSÉE VIDE INTENTIONNELLEMENT

Le tableau de bord de l'appareil

Voici comment prendre les commandes de votre climatiseur. Sur la façade de l'appareil, juste à gauche du bouton POWER (🔌) se trouve un écran à cristaux liquides (LCD). La figure 8 illustre tous les boutons de commandes et l'affichage de tous les modes.

La mise en marche – Appuyez sur le bouton POWER (🔌) pour mettre l'appareil en marche. Le bouton s'éclairera et sa luminosité diminuera automatiquement à 20% au bout de 15 secondes d'inactivité. Vous pouvez également utiliser la télécommande pour mettre l'appareil en marche (voir le chapitre Télécommande).

L'affichage – L'écran d'affichage est du type LCD haute-efficacité avec rétro-éclairage. Ce dernier comporte une fonction d'auto-atténuation en deux temps. Après 15 secondes d'inactivité, son intensité diminue jusqu'à 20%. Au bout de 120 secondes supplémentaires, l'affichage s'éteint. Il se rallumera automatiquement lors d'une pression sur une touche.

Il y a quatre touches de chaque côté de l'affichage.

La touche SYSTEM – Permet la sélection des fonctions **AUTO** climatisation, **🌨️** chauffage **🌞** et ventilation seulement **🌀**. Appuyez à nouveau sur le bouton **SYSTEM** l'écran passe au mode suivant. Une nouvelle icône apparaît. Ce mode reste affiché pendant 2 secondes puis retourne à l'affichage des points de consigne pour les modes autres que FAN (Ventilation). Notez que lorsque la fonction de chauffage n'est pas disponible, le système évitera automatiquement les modes **🌨️** (Chauffage) et **AUTO**.

Note: Le ventilateur fonctionnera pendant 30 seconds après que le compresseur s'est arrêté.

La touche FAN MODE – Permet de choisir le mode automatique **AUTO** ou continu **CONTINUOUS**. En mode **AUTO** le ventilateur fonctionne par intermittences avec le compresseur ou lorsque la fonction de chauffage est activée. Dans le mode **FAN ONLY** (Ventilation seulement), **AUTO** n'est pas disponible. L'affichage indique **CONTINUOUS**. En mode **CONTINUOUS**, la vitesse du ventilateur est déterminée par la commande **FAN SPEED**.

La touche FAN SPEED - Permet de choisir la vitesse du ventilateur. Selon votre modèle, vous avez le choix entre LOW (basse), MED (moyenne), HIGH (élevée), MAX (maximum) et AUTO (automatique). La

fonction MAX n'est pas disponible sur les modèles SL, EL, YL ou Cool Plus). Lorsque vous appuyez sur la touche **FAN SPEED**, la vitesse du ventilateur s'affiche temporairement et toute modification est indiquée par une icône en forme de jauge. Lorsque le mode automatique est sélectionné, la vitesse du ventilateur varie automatiquement en fonction de la température programmée et de la température réelle de la pièce. Par exemple, si vous travaillez dans votre garage et que vous soyez obligé d'ouvrir la porte pendant plusieurs minutes, le climatiseur détectera une différence de température importante et réglera automatiquement le ventilateur à la vitesse maximum. La vitesse déclinera par paliers à mesure que la différence de température se résorbera. Lorsque la température désirée sera atteinte, le ventilateur retournera à la vitesse programmée.

La touche SCHEDULE – **SCHEDULE** Elle active ou désactive la programmation. Le jour de la semaine est indiqué au bas de l'écran. Une seconde pression sur la touche **SCHEDULE** désactive la programmation. L'appareil est livré préprogrammé en mode d'économie d'énergie (Annexe 1). Vous pouvez modifier ces valeurs au moyen des fonctions de programmation (Voir Thermostat programmable).

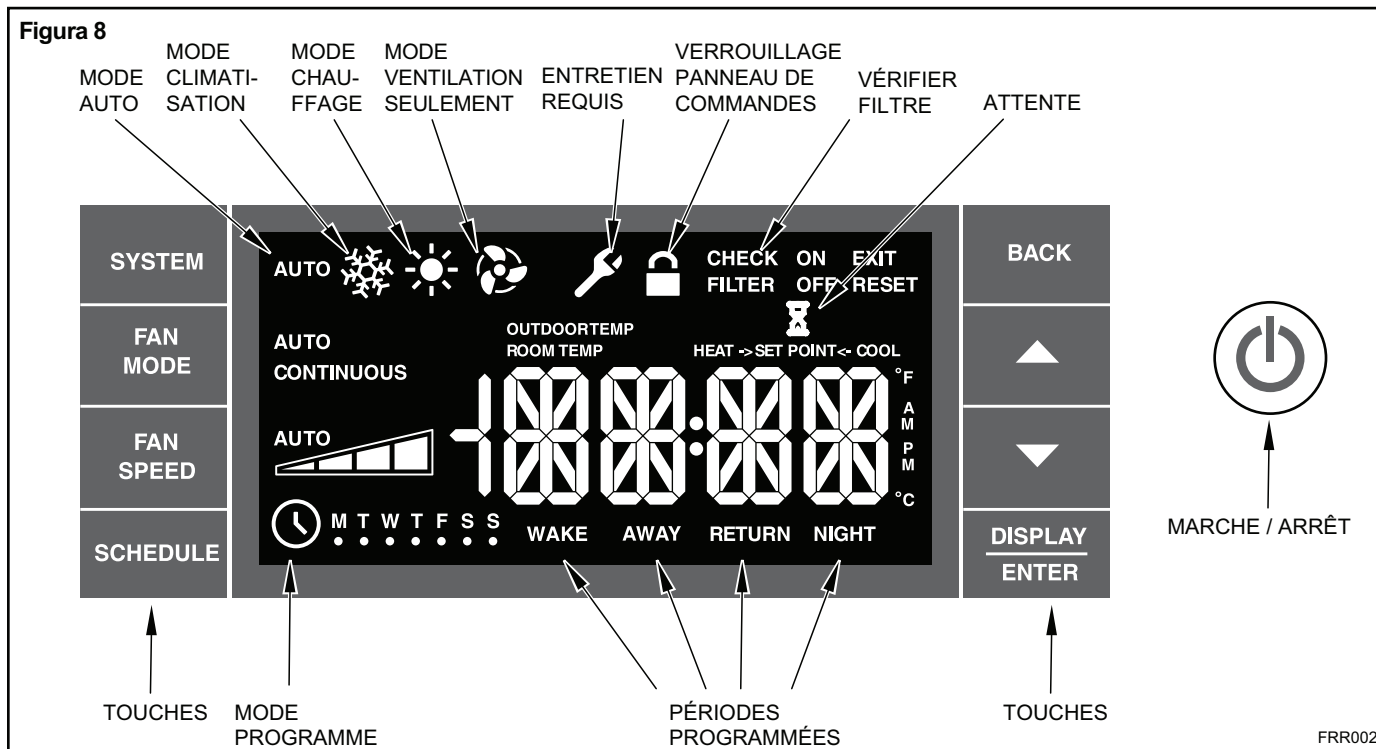
Les flèches de navigation – Une pression sur la touche **▲** ou **▼** modifie la température désirée. La plage de réglage est fixée en usine entre 16 °C (60 °F) et 37 °C (99 °F). Ces touches servent également à naviguer entre les diverses options du Menu de l'utilisateur ou du Mode d'entretien.



La touche BACK – Cette touche s'utilise après la sélection d'un niveau du menu. Elle permet de revenir au niveau précédent.


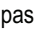


La touche DISPLAY/ENTER - Cette touche sert à valider la sélection des options dans le Menu de l'utilisateur et dans le Mode d'entretien.




On peut aussi utiliser cette touche pour afficher La TEMPÉRATURE DE LA PIÈCE, la TEMPÉRATURE EXTÉRIEURE et l'HEURE. Si aucune action n'est effectuée dans les 10 secondes, l'écran affiche à nouveau le POINT DE CONSIGNE.

Les alertes – Le système comporte 5 types d'alertes à l'usage de l'utilisateur.



VÉRIFIER FILTRE – Lorsque le filtre doit être vérifié, l'icône  apparaît à l'écran. Le mot **RESET** apparaît juste à côté de la touche **BACK**. L'alerte  est émise lorsque le ventilateur a totalisé 500 heures de marche. L'alerte peut être réinitialisée par l'utilisateur (Voir Fonctions spéciales, Réinitialisation du filtre).



Entretien requis – Lorsque l'appareil nécessite un entretien, l'icône de service  apparaît à l'écran. Cette icône ne s'éteindra pas tant que le dépannage n'aura pas été effectué. Lorsque l'icône  clignote, un dépannage s'impose et doit être effectué uniquement par un professionnel. Lorsque l'icône  est statique, cela signifie que le système a détecté une anomalie. Par exemple, les grilles d'entrée et de sortie d'air peuvent être obstruées. Lorsque la circulation d'air est rétablie, l'icône  s'éteint.



Attente – L'icône d'attente  s'allume lorsque le verrouillage du compresseur est activé. Lorsque ce dernier s'arrête, les pressions du système doivent être égalisées. C'est pourquoi une minuterie interne amorce un compte à rebours allant jusqu'à 240 secondes. Si une demande de chauffage ou de climatisation a lieu pendant cette période, l'icône  d'attente s'allume pour vous indiquer que le compresseur ne se remettra pas en marche avant la fin du compte à rebours. Cette temporisation permet d'éviter d'endommager l'appareil lors d'un redémarrage trop rapide après un arrêt. En temps normal, l'icône  d'attente est éteinte. Après une période d'attente, le climatiseur fournira du chauffage ou de la climatisation selon le réglage de température. Le chauffage électrique n'est pas interrompu par la minuterie.

Prévention du gel – Lorsque le dispositif de prévention du gel est activé, l'écran affiche la mention « FRZ ». Dès que les conditions reviennent à la normale, cette indication s'éteint. Si la température de la pièce est inférieure à 4 °C (40 °F) et que le climatiseur est équipé d'un chauffage électrique, le dispositif s'enclenche. Le climatiseur met en marche le ventilateur à haute vitesse et le chauffage électrique jusqu'à ce que la température de la pièce atteigne 8 °C (46 °F). En appuyant sur la touche **BACK** vous pouvez interrompre cette protection pendant 5 minutes.

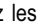
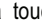
Pile faible – Lorsque la pile est faible, l'écran affiche **BATT** avant tout autre message. Cela signifie que la pile du contrôleur doit être changée. (voir Remplacement de la pile). Lorsqu'une pile neuve est installée, le message d'alerte s'éteint. Voir guide dépannage. Dans des conditions normales, la durée de vie de la pile est supérieure à 7 ans.

Fonctions spéciales

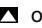
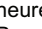
Verrouillage du panneau de commandes -  Les boutons du panneau de commandes peuvent être verrouillés pour empêcher toute manipulation accidentelle. Pour verrouiller, pressez et maintenez simultanément les touches **SCHEDULE** et **DISPLAY/ENTER** pendant 3 secondes. Un double bip confirme cette opération et l'icône  apparaît. Pour déverrouiller, répétez cette opération et l'icône disparaîtra.

Réinitialisation filtre – Lorsque l'icône  apparaît, vous pouvez remettre le compteur à zéro en maintenant la touche **BACK** pendant 3 secondes. Un bip confirme la réinitialisation du compteur et l'icône  et le mot **RESET** disparaissent.

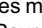
Menu utilisateur – Les fonctions du menu utilisateur vous permettent de modifier les paramètres suivants : Horloge, format 12 / 24 h, signal sonore, atténuation affichage, chauffage d'urgence, plage de transition Auto, unités °F / °C, prévention du gel, échantillonnage automatique de températures et décalage de température.

Pour entrer dans le menu utilisateur, maintenez la touche **DISPLAY/ENTER** pendant 3 secondes. Le réglage de l'heure s'affiche. Utilisez les flèches  ou  pour naviguer dans le menu. Appuyez sur la touche **DISPLAY/ENTER** pour sélectionner la fonction désirée. Après 15 minutes d'inactivité, le menu utilisateur s'éteint et l'écran retourne à l'affichage normal. Pour sortir manuellement du menu, appuyez sur la touche **BACK**.


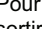


Les heures clignotent d'abord. Pour régler l'heure, appuyez sur  ou sur . Pour passer d'A.M. à P.M., avancez de 12 heures. Appuyez sur **DISPLAY/ENTER** pour passer au réglage des minutes. Pour sortir du mode de sélection, appuyez sur **BACK** et vous retournerez à l'écran de réglage de l'horloge.



Les minutes clignotent. Appuyez sur  ou sur  pour régler les minutes. Appuyez sur **DISPLAY/ENTER** pour régler le jour de la semaine. Pour sortir du mode de sélection, appuyez sur **BACK** et vous retournerez à l'écran de réglage de l'horloge.


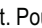

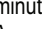







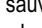

Un point clignote sous les jours de la semaine. Si le jour n'a pas encore été réglé, le point indique le lundi. Appuyez sur  ou sur  pour déplacer le point sous le jour désiré. Pour revenir au réglage des heures, appuyez sur **DISPLAY/ENTER**. Pour sortir du mode de sélection, appuyez sur **BACK** et vous retournerez à l'écran de réglage de l'horloge.



Lorsque vous avez choisi le jour, appuyez sur **DISPLAY/ENTER** pour revenir au réglage des heures. Pour sortir du mode de sélection, appuyez sur **BACK** et vous retournerez à l'écran de réglage de l'horloge.

FRR062

Réglage de l'horloge – Lorsque vous vous trouvez dans le menu utilisateur, naviguez avec les touches  ou  et sélectionnez TIME. Appuyez sur **DISPLAY/ENTER**, les heures clignotent. Pour régler l'heure, appuyez sur  ou sur  puis sur **DISPLAY/ENTER** pour passer au réglage des minutes. Les minutes et l'indication A.M. ou P.M. clignotent. Appuyez sur  ou sur  pour régler les minutes, puis sur **DISPLAY/ENTER** pour valider.

NOTE: Si l'indication A.M. ou P.M. est erronée, appuyez sur **DISPLAY/ENTER** jusqu'à ce que les heures clignotent. Naviguez avec les touches  ou  pour avancer de 12 heures, puis appuyez sur **DISPLAY/ENTER**. Le jour de la semaine s'affiche. Naviguez avec les touches  ou  pour sélectionner le jour. Appuyez sur **BACK** pour sauvegarder. Appuyez sur  (flèche vers le haut) pour passer au menu suivant (1224).

NOTE: En appuyant à nouveau sur **BACK**, vous sortirez du menu utilisateur. Vous pouvez obtenir le même résultat en laissant l'écran inactif pendant 15 secondes.



Appuyez sur ▲ ou ▼ sur pour choisir le format 12 ou 24 h. Appuyez sur BACK pour valider votre choix et sortir du mode de sélection.

FRR063

Système horaire – Vous pouvez choisir le mode 12 h ou 24 h. Lorsque l'écran affiche 1224, appuyez sur la touche DISPLAY ENTER puis sur la touche ▲ ou ▼ pour choisir 12 ou 24 h. Validez votre choix en appuyant sur la touche BACK pour revenir au menu 1224. Appuyez sur la touche ▲ (flèche vers le haut) pour passer au menu suivant (BEEP).



Appuyez sur ▲ ou sur ▼ pour activer ou désactiver le signal sonore. Appuyez sur BACK pour valider votre choix et sortir du mode de sélection.

FRR064

Signal sonore – Vous pouvez choisir d'activer ou de désactiver le signal sonore lors de l'utilisation des menus. Lorsque l'écran affiche BEEP, appuyez sur la touche DISPLAY ENTER puis sur la touche ▲ ou ▼ pour choisir ON (activé) ou OFF (désactivé). Validez votre choix en appuyant sur la touche BACK pour revenir au menu BEEP. Appuyez sur la touche ▲ (flèche vers le haut) pour aller au menu suivant (EMHT pour les modèles Kühl+ ou F C pour les modèles Kühl).

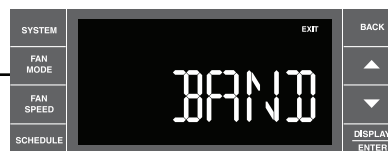


Appuyez sur ▲ ou sur ▼ pour activer ou désactiver le chauffage d'urgence. Appuyez sur BACK pour valider votre choix et sortir du mode de sélection.

FRR065

Chauffage d'urgence – Les modèles Kühl+ à thermopompe (YS, YM, YL) possèdent une caractéristique spéciale leur permettant de maintenir la distribution de chaleur. Lorsque le chauffage d'urgence est désactivé, la thermopompe prendra davantage de temps pour atteindre la température du point de consigne. Lorsque l'écran affiche EMHT, appuyez sur la touche DISPLAY ENTER puis sur la touche ▲ ou ▼ pour choisir ON (activé) ou OFF (désactivé). Validez votre choix en appuyant sur la touche BACK pour revenir au menu EMHT. Appuyez sur la touche ▲ (flèche vers le haut) pour passer au menu suivant (BAND).

Dans le cas exceptionnel d'une panne de compresseur, la thermopompe peut être commutée en mode de chauffage électrique d'urgence jusqu'à l'arrivée d'un technicien.



Ce menu permet à l'utilisateur d'ajuster la plage de transition minimale entre les points de consigne de climatisation et de chauffage en mode automatique. Appuyez sur ▲ ou sur ▼ pour régler l'ajustement entre 3 et 10.

FRR066

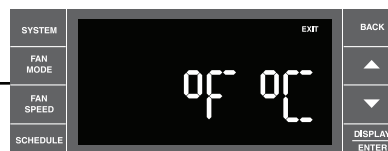
Plage de transition en mode Auto (zone morte) – Il s'agit d'une zone-tampon entre les modes de chauffage et de climatisation, dans laquelle aucune climatisation ne peut s'effectuer. Sur les modèles Kühl+ avec transition automatique, vous pouvez ajuster la plage de transition entre le mode chauffage et le mode climatisation. Celle-ci est réglée par défaut à 3 °F (1,5 °C). Elle peut être ajustée entre 3 °F (1,5 °C) et 10 °F (5,5 °C). Lorsque l'écran affiche BAND, appuyez sur la touche DISPLAY ENTER puis sur la touche ▲ ou ▼ pour choisir entre 3 et 10. Validez votre choix en appuyant sur la touche BACK pour revenir au menu BAND. Appuyez sur la touche ▲ (flèche vers le haut) pour aller au menu suivant (F C).



Appuyez sur ▲ ou ▼ sur pour choisir entre les options AUTO, DM 20 et OFF. Appuyez sur BACK pour valider votre choix et sortir du mode de sélection.

L'option Dim Auto atténue automatiquement la luminosité de l'écran puis l'éteint au bout d'un certain temps. L'option Dim 20 est semblable à Auto, mais empêche l'extinction totale de l'écran. L'intensité minimale est de 20%. L'option Dim Off maintient l'intensité maximale de l'écran en tout temps.

FRR067



Appuyez sur ▲ ou sur ▼ pour choisir l'affichage des températures en degrés Fahrenheit ou Celsius. Appuyez sur BACK pour valider votre choix et sortir du mode de sélection.

FRR068

Affichage Fahrenheit ou Celsius – Vous pouvez choisir l'affichage des températures en degrés Fahrenheit ou Celsius. Lorsque l'écran affiche F C, appuyez sur DISPLAY ENTER puis sur la touche ▲ ou ▼ pour choisir F ou C. Validez votre choix en appuyant sur la touche BACK pour revenir au menu F C. Appuyez sur la touche ▲ (flèche vers le haut) pour aller au menu suivant (FRZ).

Appuyez sur ▲ ou ▼ sur pour activer ou désactiver le dispositif de prévention du gel. Appuyez sur **BACK** pour valider votre choix et sortir du mode de sélection.

FRR069

Prévention du gel – Les modèles Kühl+ possèdent une caractéristique spéciale permettant de maintenir la température de la pièce au-dessus du point de congélation en activant le chauffage d'urgence dès que la température intérieure tombe en dessous de 4 °C (40 °F). Lorsque le dispositif de prévention du gel est activé, si l'appareil détecte une température inférieure à 4 °C (40 °F), le chauffage d'urgence se mettra en marche avec la ventilation à haute vitesse jusqu'à ce que la température atteigne 8 °C (46 °F). Lorsque l'écran affiche FRZ, appuyez sur la touche **DISPLAY ENTER** puis sur la touche ▲ ou ▼ pour choisir ON (activé) ou OFF (désactivé). Validez votre choix en appuyant sur la touche **BACK** pour revenir au menu FRZ. Appuyez sur la touche (flèche vers le haut) pour passer au menu suivant (TO).

Appuyez sur ▲ ou ▼ sur pour augmenter ou réduire le décalage par rapport à la température réelle de la pièce.

La correction maximale est de +/- 4,5 °C (+/- 8 °F). Appuyez sur **BACK** pour valider votre choix et sortir du mode de sélection.

FRR070

Décalage de température – Dans certains cas, la température affichée par le thermostat de l'appareil ne correspond pas tout à fait à la température ressentie dans la pièce. Les raisons de cet écart peuvent dépendre de la puissance de l'appareil, de la charge calorifique de la pièce ou de bien d'autres facteurs. Les appareils Friedrich vous permettent de corriger cet écart de manière à obtenir une indication de température la plus précise possible. Dans la plupart des cas, la correction par défaut à zéro degré donne des résultats satisfaisants. Pour ajuster ce décalage, veuillez suivre ces instructions. Lorsque l'écran affiche TO, appuyez sur la touche **DISPLAY ENTER** puis sur la touche ▲ ou ▼ pour choisir un réglage entre 0 °C (0 °F) et 4,5 °C (8 °F). Dans la plupart des cas, un décalage entre 0 °C (0 °F) et 1 °C (2 °F) s'avère suffisant. Validez votre choix en appuyant sur la touche **BACK** pour revenir au menu TO. Appuyez sur la touche ▲ (flèche vers le haut) pour passer au menu suivant (TIME). Vous pouvez continuellement passer d'un menu à l'autre en pressant les touches ▲ ou ▼.

Appuyez sur ▲ ou sur ▼ pour activer ou désactiver l'échantillonnage automatique de températures (ATSF). Appuyez sur **BACK** pour valider votre choix et sortir du mode de sélection.

FRR071

Échantillonnage automatique de températures – Ce dispositif permet de maintenir une température équilibrée dans toute la pièce en faisant circuler l'air pendant 30 secondes toutes les 9 minutes d'inactivité du système, que ce soit en mode chauffage ou climatisation. Cette méthode permet à l'appareil de détecter les zones trop chaudes ou trop froides de la pièce et de corriger les écarts au besoin. Cette fonction n'est accessible que lorsque le ventilateur est en mode AUTO et que l'appareil est en mode CHAUFFAGE ou CLIMATISATION. (Chauffage disponible uniquement sur les modèles Kühl+).

Pour affichage seulement. Aucune option utilisateur.

FRR072

Versión du micrologiciel – Lorsque l'écran affiche VER, appuyez sur **DISPLAY ENTER**. Les chiffres de gauche indiquent le numéro majeur de la version et les chiffres de droite le numéro mineur. Lors d'un appel de service, indiquez la version du micrologiciel en plus du numéro de modèle et du numéro de série de l'appareil.

Connexion d'un thermostat mural

Thermostat mural – Vous pouvez connecter un thermostat à votre climatiseur afin de contrôler la température à distance. Les points de raccordement du thermostat se trouvent à l'avant de l'appareil derrière la grille. Pour permettre l'utilisation d'un thermostat, retirez le cavalier.

- Le changement d'un mode sur le thermostat mural n'éclairera pas l'écran d'affichage du climatiseur.

Choix d'un thermostat mural

Friedrich recommande l'utilisation des modèles RT4 ou RT5. Le modèle RT4 est un thermostat numérique et ne contrôle qu'une vitesse de ventilateur. Le modèle RT5 comporte un affichage numérique, le contrôle de deux vitesses de ventilateur, une pile de secours et un rétroéclairage.

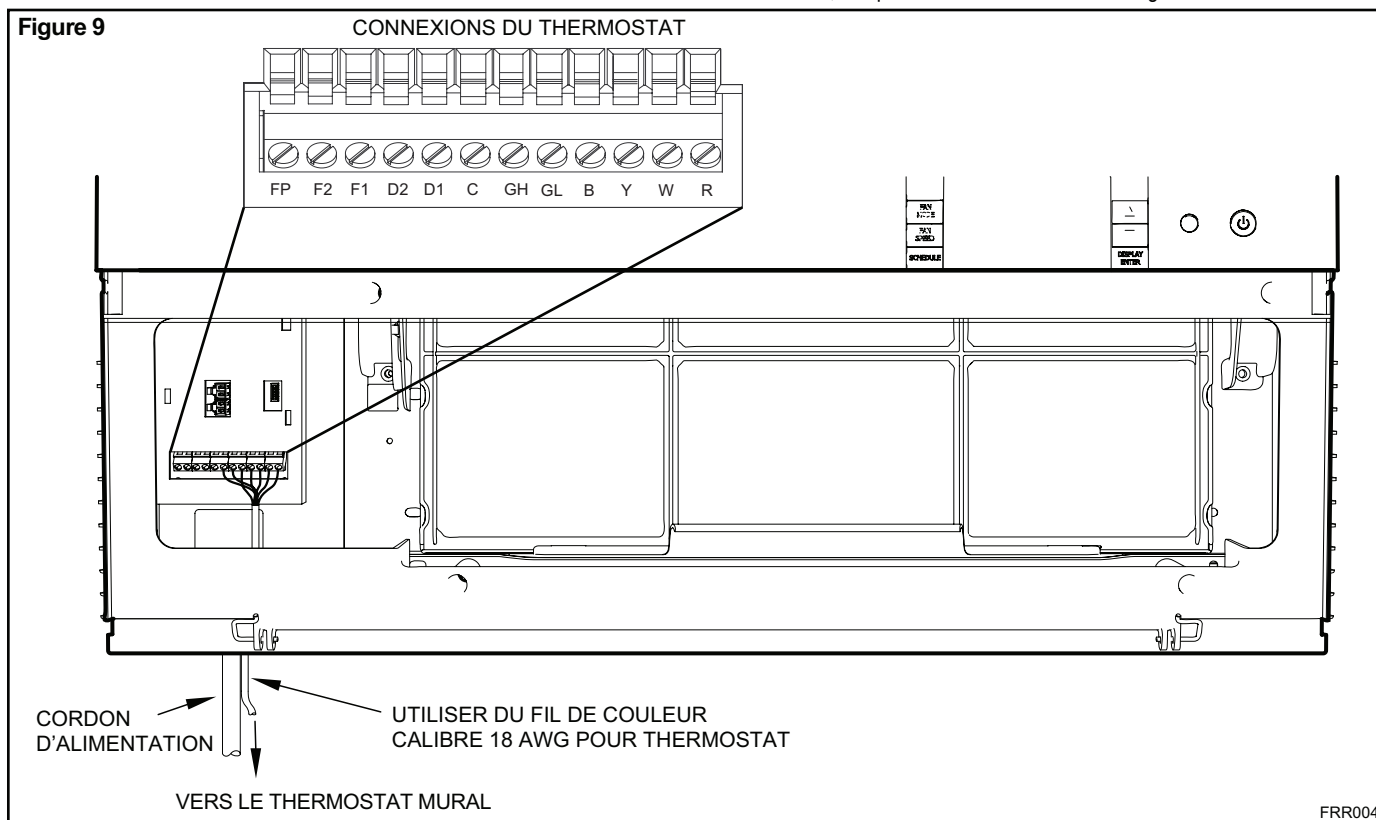


Tableau 2 Identification des connexions	
Borne	Fonction
C	Terre commune
GH	Ventilateur haute vitesse
GL	Ventilateur basses vitesses
B	Demande d'inversion à la thermopompe
Y	Compresseur
W	Demande de chauffage
R	Alimentation 24V entre le contrôleur et le thermostat mural

des bornes FP et F2 sur le bornier. Pour connecter le thermostat suivez les indications de la figure 9 et du tableau 2.

Si vous installez un thermostat externe, toutes les fonctions du panneau de commandes seront désactivées à l'exception des suivantes :

- Fonctions d'entretien (double pression et pression prolongée d'une touche)
- La touche pour la fonction de prévention du gel.
- Éclairage de l'écran dès la première pression d'une touche.

Vous pouvez utiliser un autre modèle de thermostats dans la mesure où il est compatible avec l'appareil. Pour la climatisation, choisissez un modèle à contrôle de climatisation mono-étage avec bornes C, R, G, Y. Pour le chauffage électrique, choisissez un modèle « E » à contrôle de chauffage et de climatisation mono-étage avec bornes C, R, G, Y, W. Pour la thermopompe, choisissez un modèle à contrôle de chauffage et de climatisation mono-étage avec bornes C, R, G, Y, W, B.

ATTENTION



Il est de la responsabilité de l'installateur de s'assurer que tous les branchements des commandes soient effectués conformément aux instructions d'installation.


Toute anomalie dans les connexions du thermostat et toute modification du câblage interne du climatiseur annuleront la garantie de ce dernier.

Le non respect de ces instructions pourrait endommager l'équipement et entraîner des dégâts matériels ainsi que des blessures.



Utilisation de la télécommande

La télécommande – Reportez-vous aux figures 11 et 12 pendant la lecture de ce chapitre.

Avant de commencer – Installez 2 piles AAA dans le logement situé à l'arrière de la télécommande.

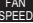
Mode d'emploi - Pour utiliser la télécommande vous devez vous tenir à moins de 7,60 m (25 pieds) du climatiseur (voir figure 10). Appuyez sur la touche  pour activer la télécommande. Celle-ci s'éteindra automatiquement au bout de 15 secondes d'inactivité.



Touche Marche/Arrêt - Allume ou éteint la télécommande et le climatiseur.



Touche « SYSTEM » - Permet à l'utilisateur de choisir les modes **AUTO**, CLIMATISATION , CHAUFFAGE  ou VENTILATION SEULEMENT . Lorsque vous pressez l'une de ces touches, l'écran affiche le mode choisi. Notez que si la fonction de chauffage n'est pas disponible, le système n'affichera pas les modes CHAUFFAGE et auto.

Touche « FAN MODE » - Permet de sélectionner le fonctionnement automatique **AUTO** ou continu **CONTINUOUS**. En mode AUTO, le ventilateur ne se met en marche que lorsque le compresseur fonctionne ou que la fonction de chauffage est activée.

NOTE: AUTO n'est pas accessible en mode VENTILATION SEULEMENT; l'écran affiche **CONTINUOUS**. Dans ce mode, la vitesse du ventilateur est déterminée par la touche **FAN SPEED**.

Touche « FAN SPEED » - Permet de sélectionner la vitesse du ventilateur, ainsi que le fonctionnement AUTO. Lorsque vous pressez la touche , la vitesse du ventilateur s'affiche temporairement et la jauge indique le niveau correspondant à la vitesse. La vitesse du ventilateur varie automatiquement en fonction de la température réglée sur le panneau de commandes et de la température réelle de la pièce. Par exemple, si vous travaillez dans votre garage et que vous êtes obligé d'ouvrir la porte pendant plusieurs minutes, le climatiseur détectera une différence de température importante et réglera automatiquement le ventilateur à la vitesse maximum. La vitesse du ventilateur se maintiendra ainsi jusqu'à ce que la pièce atteigne la température consignée.

Touche « SCHEDULE » – Elle active ou désactive la programmation. Une seconde pression sur la touche  désactive la programmation. L'écran n'affiche que l'icône .

Flèches de navigation - Une pression sur la touche  (haut) ou la touche  (bas) modifie la température désirée. La plage de réglage est fixée en usine entre 16 °C (60 °C) et 37 °C (99 °F). Ces touches servent également à naviguer entre les diverses options du Menu de l'utilisateur ou du Mode d'entretien.

Efficacité de la télécommande

La manette de télécommande a un rayon d'action d'environ 7,60 mètres (25 pieds). Pour permettre la transmission du signal infrarouge il ne doit y avoir aucun obstacle entre la télécommande et le climatiseur. Comme celui d'une télécommande de téléviseur, le signal ne peut traverser les murs et le mobilier. Le schéma ci-dessous indique la capacité de transmission normale de la télécommande dans une pièce standard d'environ 2,45 m (8 pi) de haut.

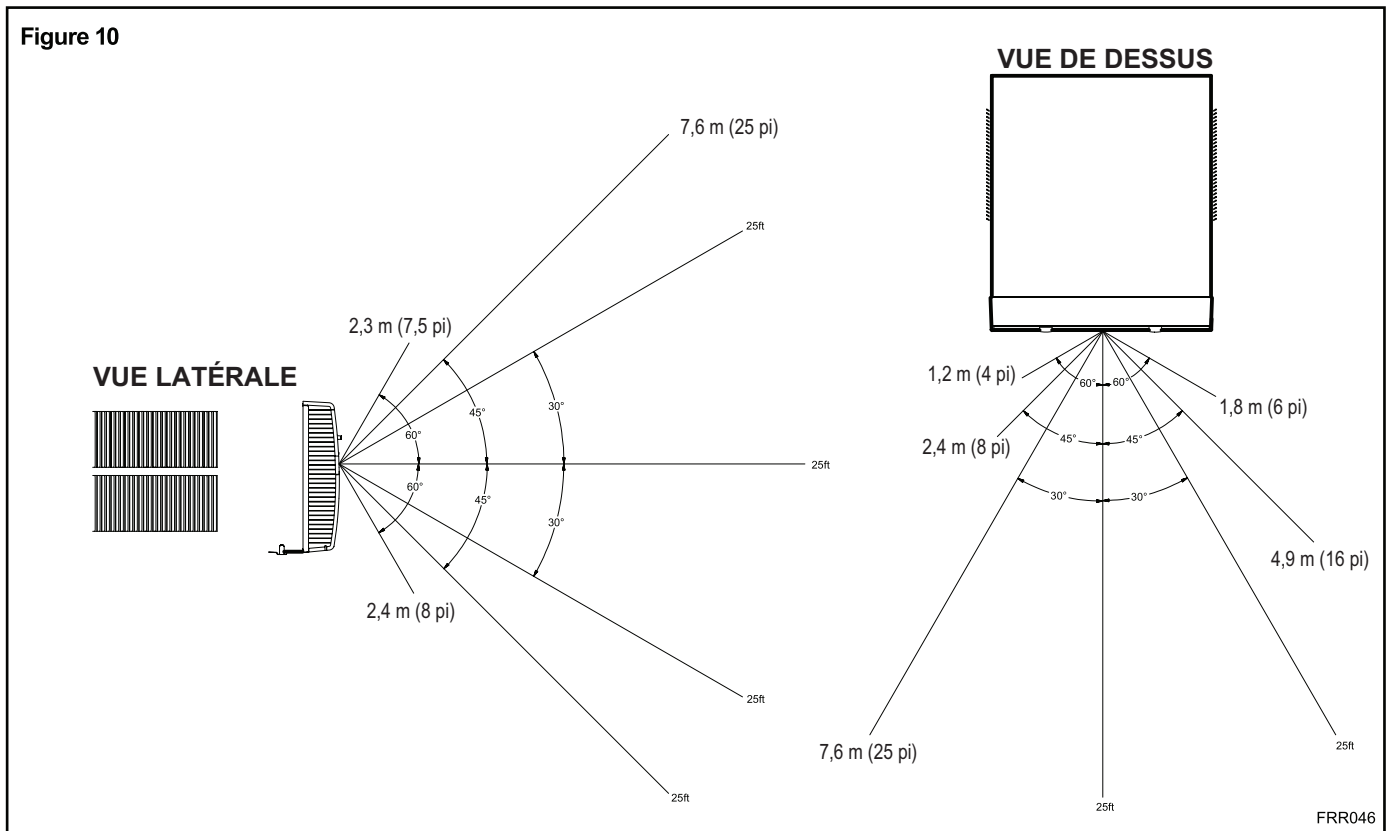
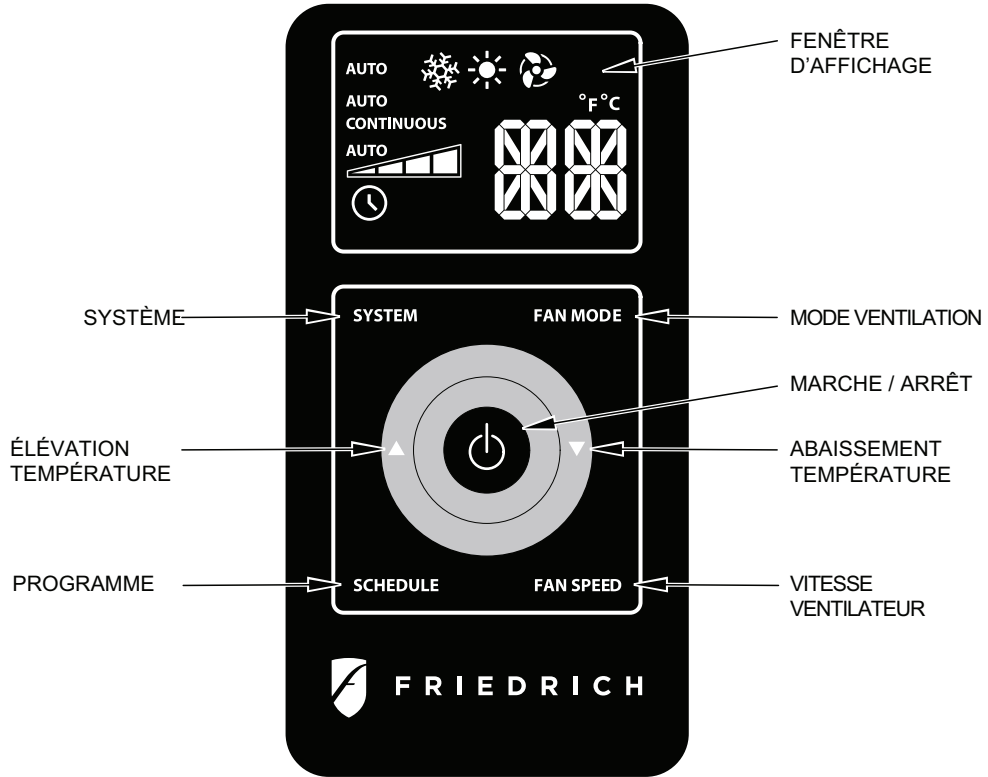
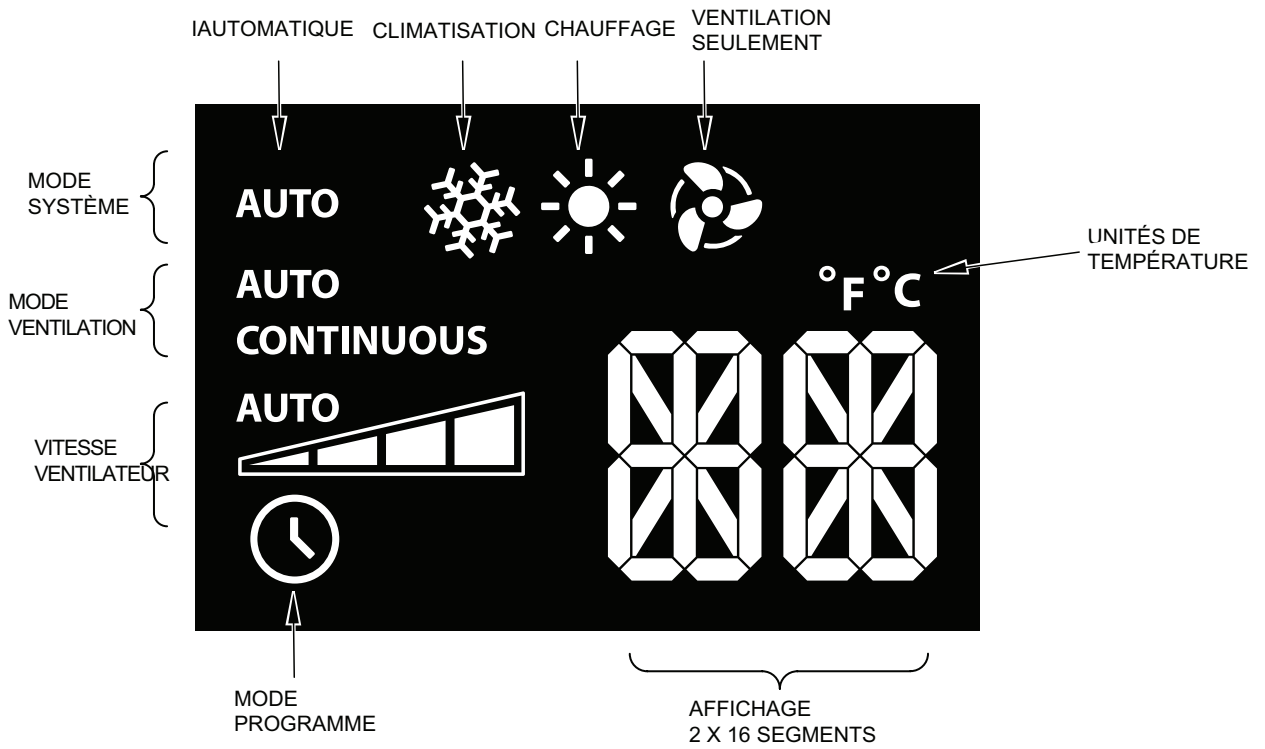


Figure 11



FRR005

Figure 12




FRR006

Sélection et réglage du flux d'air

Direction du flux d'air


La direction du flux d'air peut être modifiée de manière indépendante du côté gauche et du côté droit de la grille de ventilation. Chacun des ensembles de déflecteurs peut être orienté vers la gauche, vers la droite, vers le haut ou vers le bas afin de diriger le flux d'air de la manière la plus efficace possible.

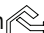
Pour modifier la direction du flux d'air, saisissez la manette située au milieu de la grille de ventilation et déplacez-la dans le sens désiré du flux d'air. Veuillez noter que la force du flux d'air peut être normalement plus importante d'un côté que de l'autre.

POUR EFFECTUER UN APPORT D'AIR NEUF – Déplacez la manette à la position Air neuf  afin de permettre l'apport d'air extérieur dans la pièce. Cette fonction est particulièrement utile en automne et au printemps lorsque vous désirez renouveler l'air de la pièce en mode VENTILATION SEULEMENT. Vous pouvez également l'utiliser en été lorsque le compresseur est en mode Climatisation.

Commande d'apport d'air neuf et d'extraction

Avec votre climatiseur, vous avez la possibilité de faire entrer de l'air neuf ou d'évacuer l'air vicié de la pièce. La commande se trouve sous la grille de ventilation (voir figure 13).

POUR EFFECTUER UN APPORT D'AIR NEUF – Déplacez la manette à la position Air neuf  afin de permettre l'apport d'air extérieur dans la pièce. Cette fonction est particulièrement utile en automne et au printemps lorsque vous désirez renouveler l'air de la pièce en mode VENTILATION SEULEMENT. Vous pouvez également l'utiliser en été lorsque le compresseur est en mode Climatisation.

ÉVACUATION DE L'AIR INTÉRIEUR – Poussez la manette à la position Extraction . L'air vicié sera alors évacué vers l'extérieur du bâtiment. Cette fonction est particulièrement utile au printemps et en automne lorsque l'air a tendance à stagner à l'intérieur ou après une réunion de personnes comprenant des fumeurs, ou encore pour évacuer les odeurs de cuisson.


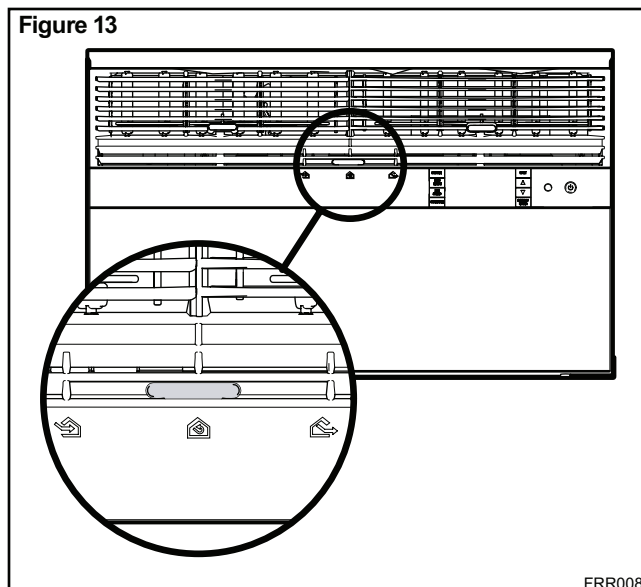
PERFORMANCE OPTIMALE – Replacez la manette à la position Recirculation  pour obtenir le maximum d'efficacité en mode climatisation ou chauffage.


Figure 13



Instructions d'installation

À LIRE EN PRIORITÉ ! Installation électrique

⚠ AVERTISSEMENT



Risque d'électrocution

Assurez-vous que votre prise électrique murale corresponde à la prise du climatiseur ou faites appel à un électricien professionnel.
N'utilisez pas d'adaptateur de prise.
N'utilisez pas de cordon de rallonge.
N'enlevez pas la broche de mise à la terre.
Branchez uniquement sur une prise 3 broches, reliée à la terre.
Toute ignorance de ces recommandations peut entraîner une électrocution pouvant être mortelle ou un incendie.

IMPORTANT : Avant de procéder à l'installation de votre climatiseur, informez-vous sur les exigences du Code canadien de l'électricité et sur les détails suivants. Votre climatiseur doit être branché sur un courant alternatif (c.a.) dont la tension et l'intensité correspondent aux caractéristiques indiquées sur la plaque signalétique située sur le boîtier de l'appareil. Le climatiseur fonctionne uniquement sur courant alternatif (c.a.) et NON sur courant continu (c.c.)

PROTECTION DU CIRCUIT - Utilisez un circuit à une seule prise exclusivement réservé au climatiseur. Un circuit surchargé entraînerait invariablement un mauvais fonctionnement ou une panne du climatiseur.

Il est donc essentiel que le circuit soit adéquatement protégé. En raison de l'appel de courant important au moment du démarrage, utilisez un fusible à retardement ou un disjoncteur de type HACR. En cas de doute, informez-vous auprès du fournisseur du climatiseur ou auprès de votre distributeur d'électricité.

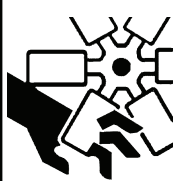
Reportez-vous à la plaque signalétique de l'appareil (voir page 2) pour déterminer la puissance du fusible ou du disjoncteur correspondant à votre climatiseur (Pour le type de prise murale, voir tableau 1, page 6).

Le cordon d'alimentation étant muni d'une fiche avec mise à la terre, vous devez disposer d'une prise murale du type correspondant.

Les instructions suivantes se rapportent aux groupes de boîtiers standards correspondant aux deux premières lettres des modèles de climatiseurs tel qu'indiqué au tableau 3.

TYPE DE BOÎTIER	DIMENSIONS (H x L x P)
PETIT – SS, ES, YS	405 x 660 x 737 mm (15 15/16 x 25 15/16 x 29 po)
MOYEN – SM, EM, YM	455 x 660 x 737 mm (17 15/16 x 25 15/16 x 29 po)
GRAND – SL, EL, YL	513 x 711 x 851 mm (20 3/16 x 28 x 35 1/2 po)

⚠ AVERTISSEMENT

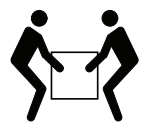


Pièces mécaniques dangereuses

- Ne pas faire fonctionner l'appareil sans son boîtier ou sans la grille de façade.
- Ne pas approcher les mains des pales du ventilateur.

Ignorer cet avertissement peut entraîner des blessures graves.

⚠ ATTENTION



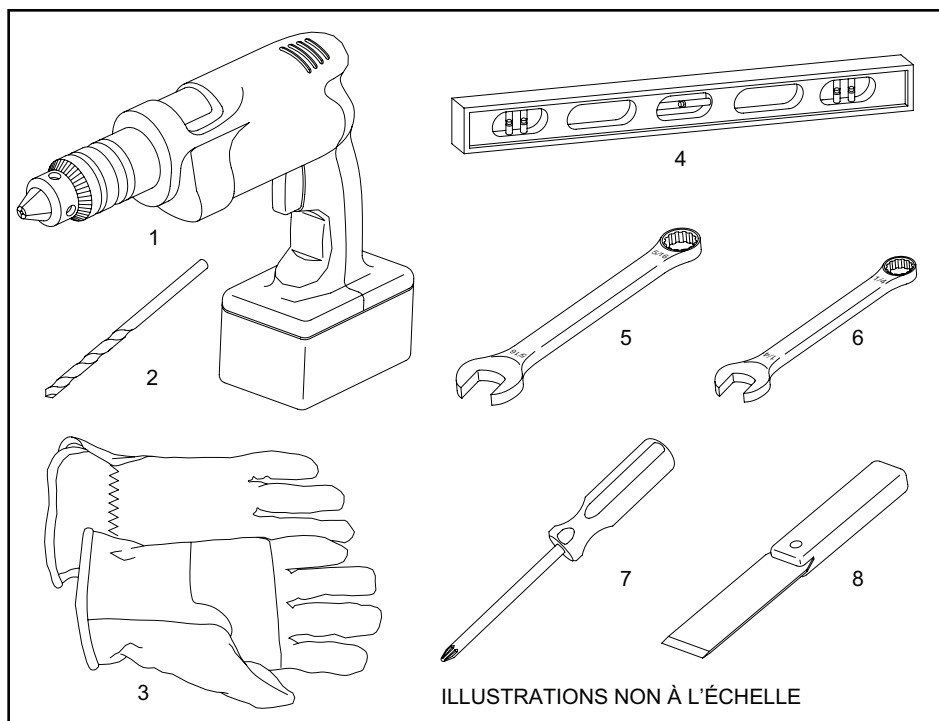
Poids excessif

Au moins deux personnes sont requises pour la pose du climatiseur.

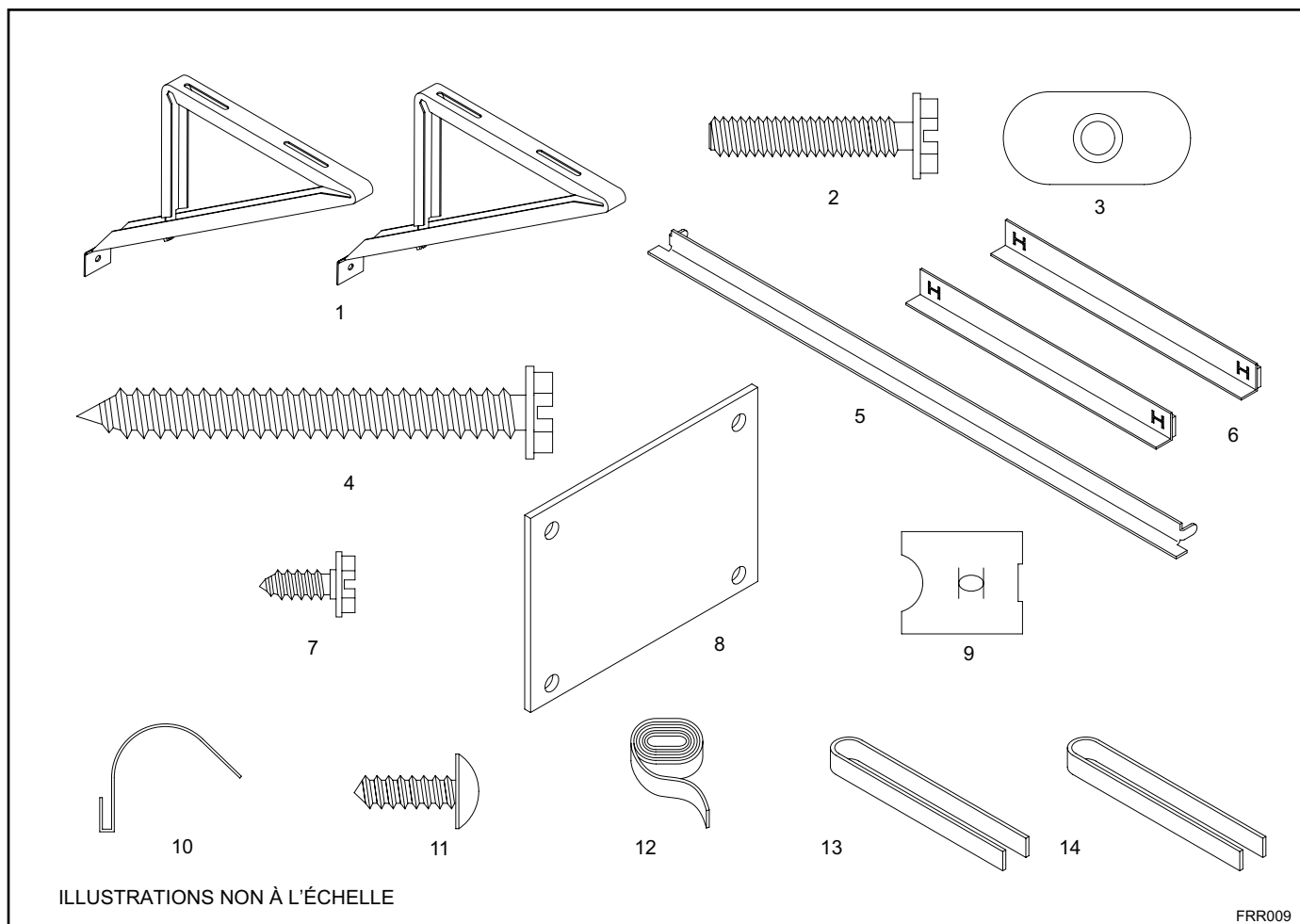
Ignorer cet avertissement peut entraîner des blessures au dos ou d'autres blessures.

Outillage nécessaire

1. Perceuse électrique
2. Mèche de 5/32 po
3. Gantes
4. Nivel
5. Clé de 5/16 po
6. Clé de 1/4 po
7. Tournevis Phillips N° 2
8. Couteau à mastic (ou spatule en bois)



MATÉRIEL D'INSTALLATION



Quincaillerie d'installation pour montage dans une fenêtre

PIÈCE N°	DESCRIPCION	QTÉ.
PIÈCES DE MONTAGE DU CACHE		
8	CACHE (MASONITE)	1
9	ÉCROUS DE VERROUILLAGE « J »	4
10	CLIP (RESSORT ACIER)	4
11	VIS #8 x 1/2 po PHILLIPS TÊTE BOMBÉE	4
ÉTANCHEMENT DE LA FENÊTRE		
12	JOINT D'ÉTANCHÉTIÉ (VINYLE)	1
13	JOINT POUR FENÊTRE (TEINTE FONCÉE)	1
14	JOINT POUR BOÎTIER (TEINTE CLAIRE)	1
PIÈCES DU SUPPORT		
1	ÉQUERRES DE SOUTIEN	2
2	VIS 10-24 x 1 po TÊTE HÉXAGONALE	4
3	ÉCROU À SOUDER PLAT 10-24	4
4	VIS À TÔLE #12 x 2 po	7
PROFILÉS DE BUTÉE EN 3 PARTIES		
5	PROFILÉ SUPÉRIEUR	1
6	PROFILÉS LATÉRAUX	2
7	VIS À TÔLE #8 x 3/8 po	2

Quincaillerie d'installation pour montage encastré dans le mur

PIÈCE N°	DESCRIPTION	QTÉ
PIÈCES DU SUPPORT		
4	VIS À TÔLE #12A X 2 po	7
14	JOINT POUR BOÎTIER (TEINTE CLAIRE)	1

NOTE: Les modèles Kühl + ne sont pas livrés avec des accessoires de montage pour fenêtre. Pour installer un climatiseur avec chauffage vous devez acheter le kit d'installation séparément.

KWIKS – Pour tous les modèles ES et YS.

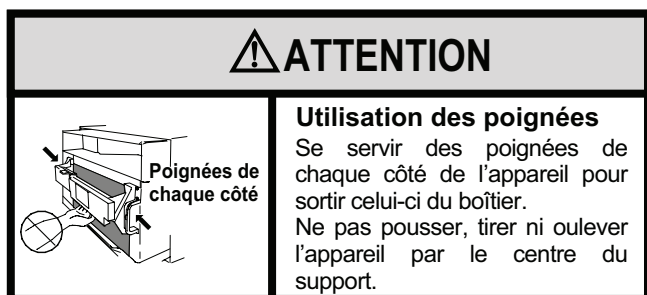
KWIKM – Pour tous les modèles EM et YM.

KWIKL – Pour tous les modèles EL et YL.

Installation en fenêtre à guillotine

NOTE: Le matériel nécessaire à l'installation est illustré à la page 18. Dans ces instructions, chaque pièce est identifiée par son numéro.

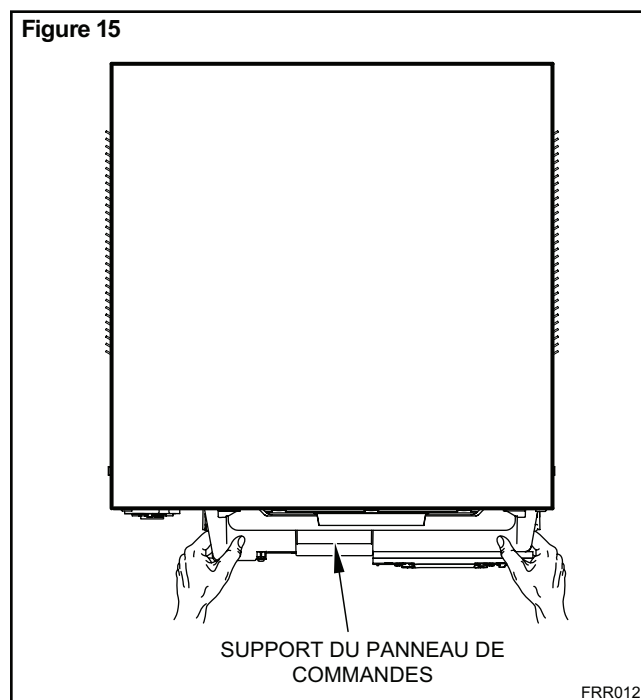
ÉTAPE 1. Enlevez le câble de sécurité Entrygard en retirant la vis à l'extrême droite (voir figure 14). Conservez la vis pour remettre le câble en place après l'installation (Étape 12). Retirez également les deux vis de retenue et leur rondelle, à l'arrière de l'appareil (voir figure 14) et jetez-les.



ÉTAPE 2. Maintenez fermement le boîtier et utilisez les poignées de chaque côté du support du panneau de commandes pour sortir l'appareil du boîtier (voir figure 15).

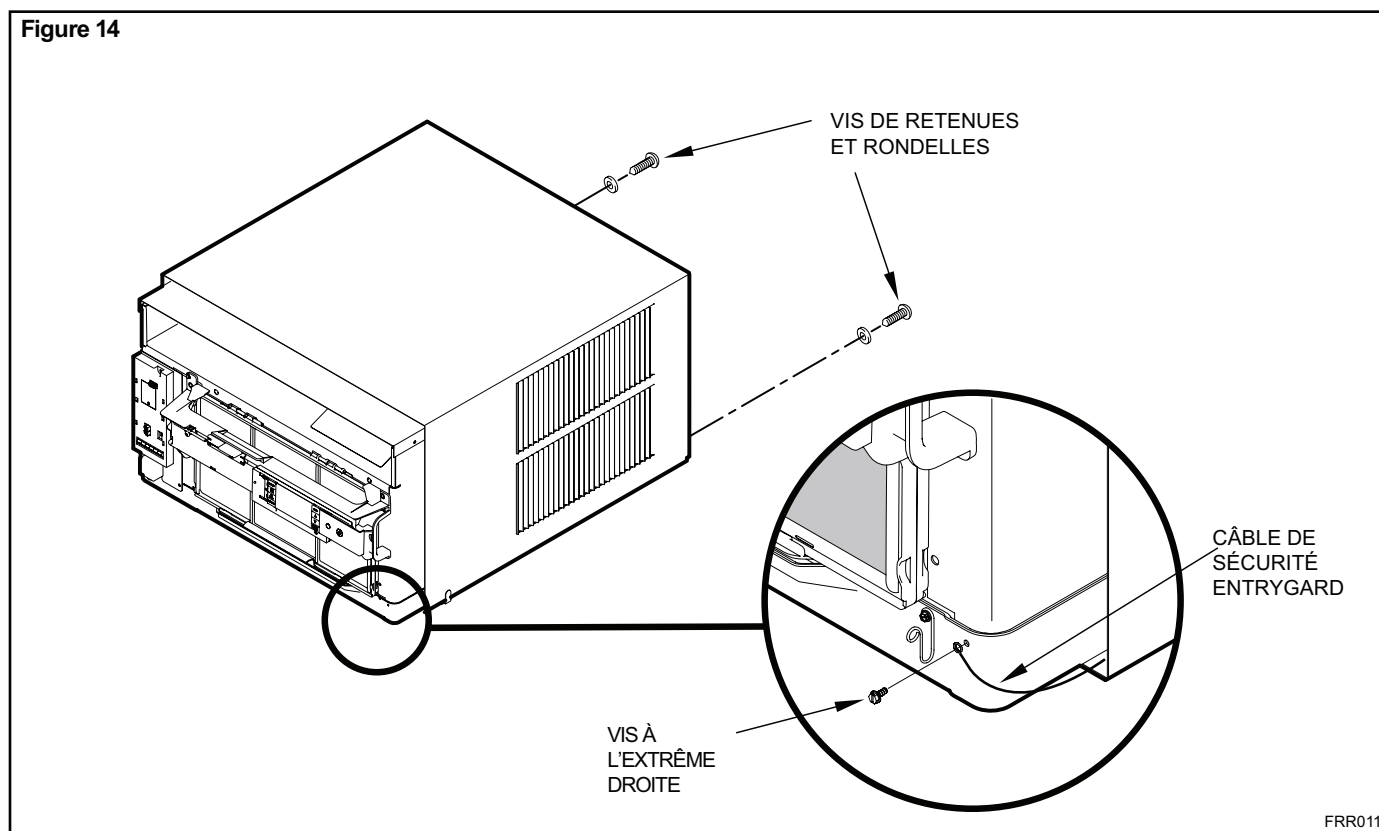
ÉTAPE 3. Utilisez les gros blocs de mousse servant à retenir le compresseur pendant l'expédition (voir figure 16). Inspectez le fond de l'appareil et enlevez éventuellement tous les débris de mousse. Ne retirez pas encore les autres blocs de mousse.

Figure 15



ÉTAPE 4. Montez les profilés de butée latéraux (Pièce N°6) en engageant les pattes de la base du boîtier (voir figure 17, détail B-2) dans les anses des profilés. Engagez les pattes du profilé supérieur (Pièce N°5) dans les anses supérieures des profilés latéraux (voir figure 17, détail B-1). Posez les 2 vis (Pièce N°7) pour fixer l'ensemble au boîtier (voir figure 17, détail B-1).

Figure 14



⚠ ATTENTION



Enlever les blocs de mousse

Avant d'utiliser l'appareil, retirer tous les blocs de mousse ayant servi à l'expédition.

Toute omission peut occasionner des dommages dans l'appareil qui ne sont pas couverts par la garantie du fabricant !

ÉTAPE 5. Vérifiez l'appui et le cadre de la fenêtre pour vous assurer qu'ils sont en bon état et solidement ancrés au mur. Réparez au besoin.

ÉTAPE 6. INSTALLATION DU BOÎTIER – Soulevez la fenêtre de 6 mm (1/4 po) de plus que la hauteur du boîtier. Glissez ce dernier délicatement dans l'ouverture jusqu'à ce que le rail d'appui repose derrière l'appui de fenêtre et que le profilé de butée supérieur soit en contact avec la fenêtre (voir figure 18). Centrez le boîtier dans l'ouverture. Dans l'appui de fenêtre, percez 3 avant-trous de 4 mm (5/32 po) de diamètre correspondant aux trous du rail d'appui du boîtier. Posez 3 longues vis #12 x 2 po (Pièce N°4) (voir figure 18).

ÉTAPE 7. MONTAGE DU SUPPORT EXTÉRIEUR – Voir les figures 19 et 20. Fixez les équerres (Pièce N°1) sous le boîtier au moyen des 4 vis 10-24 de 2,5 cm (Pièce N°2) et des 4 rondelles plates 10-24 (Pièce N°3). Faites coïncider les trous oblongs des équerres avec les trous prévus sous le boîtier, de manière à ce que l'extrémité inférieure des équerres soient en contact avec le mur. **VOUS DEVEZ POSER UN TASSEAU DE 1 x 4 po OU DE 2 x 4 po ENTRE LE MUR ET LES ÉQUERRES S'IL S'AGIT D'UN**

PAREMENT EN ALUMINIUM OU EN VINYL. Percez des avant-trous de 4 mm (5/32 po) et vissez les équerres sur le mur au moyen des 2 vis 12A x 2 po (Pièce N°4).

NOTE: Ne **METTES PAS LE BOÎTIER DE NIVEAU**, mais prévoyez une pente de 1 à 1,3 cm (3/8 à 1/2 po) (1/8 à 1/4 sur le niveau à bulle) vers l'extérieur du bâtiment.

Ajustez les équerres de manière à créer une pente vers l'extérieur pour évacuer l'excès de condensats (Reportez-vous à l'installation en fenêtre à guillotine, figures 19 à 23). Serrez toutes les vis.

Méthode alternative A : Si le rebord extérieur de la fenêtre est très profond et qu'il vous empêche de placer les équerres tel qu'indiqué à la figure 21, modifiez l'installation des équerres de manière à supporter le poids du boîtier tel qu'illustré à la figure 22. Serrez toutes les vis.

Méthode alternative B : Si l'espace entre le rebord de la fenêtre et le boîtier est trop étroit, procédez de la manière suivante : redressez l'extrémité de l'équerre; coupez l'équerre aux 2 endroits indiqués sur la figure 23. La partie courte doit être bien verticale lors de l'installation.

Montez l'équerre à l'endroit adéquat et serrez toutes les vis.

ÉTAPE 8. Dans le panneau de Masonite fourni (Pièce N°8), mesurez et découpez les deux parties du cache en prévoyant un dégagement de 3 mm (1/8 po), de manière à couvrir l'espace libre entre le cadre de la fenêtre et le boîtier de l'appareil (figure 24). La mesure doit inclure la profondeur de la glissière verticale de la fenêtre.

IMPORTANT

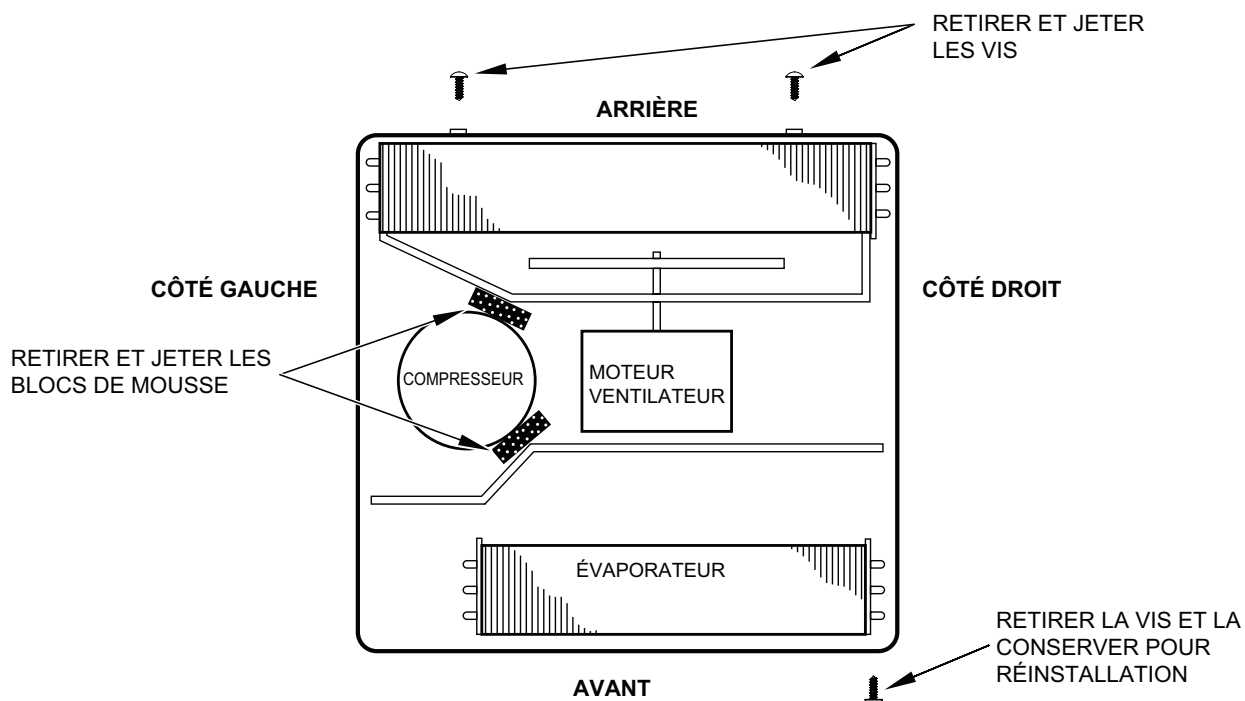


Pour votre sécurité, vous devrez prévoir un moyen d'empêcher l'ouverture de la fenêtre après l'installation de l'appareil.

ÉTAPE 9. Pour installer les panneaux du cache, insérez les écrous de verrouillage de type J (Pièce N°9) et les clips à ressort en acier (Pièce N°10) (voir page 26, figure 25). Fixez chaque panneau au moyen de 2 vis (Pièce N°11).

Figure 16

APPAREIL VU DE DESSUS



FRR045

Figure 17

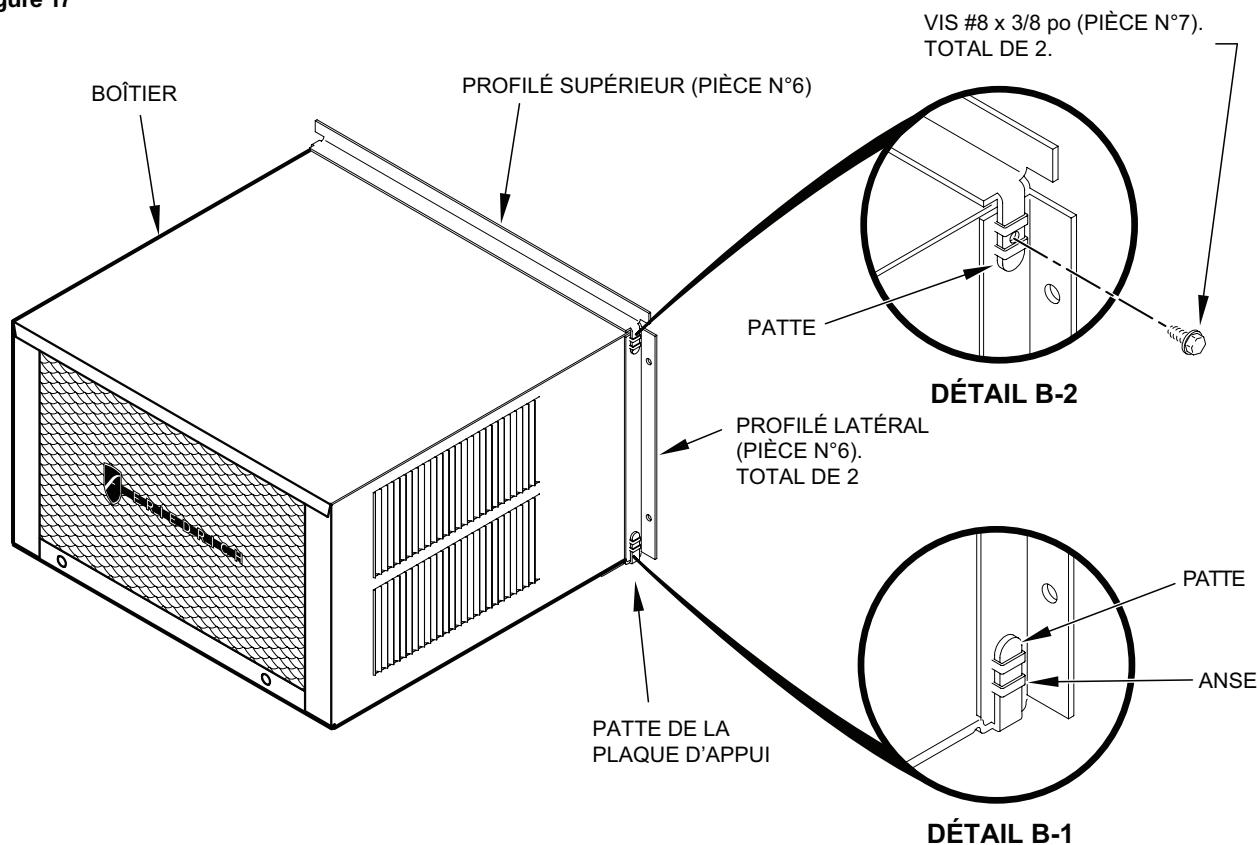
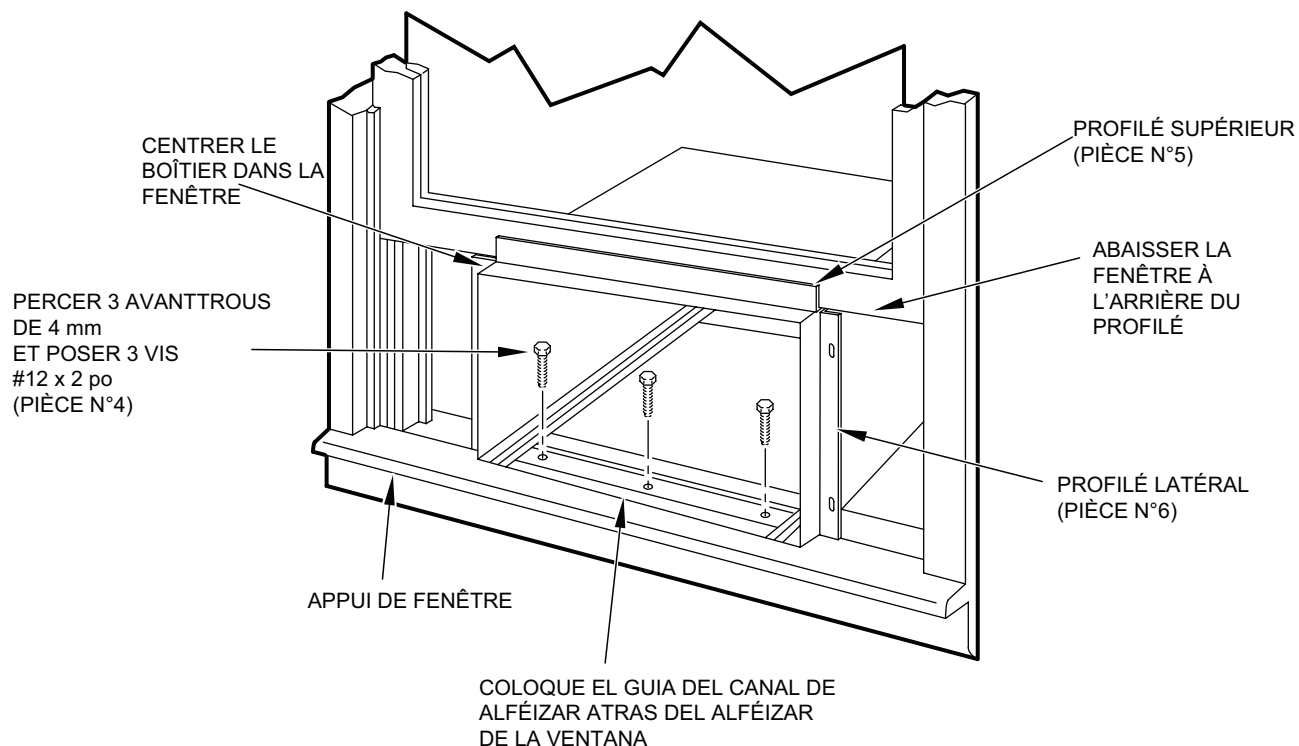


Figure 18



FRR014

Figure 19

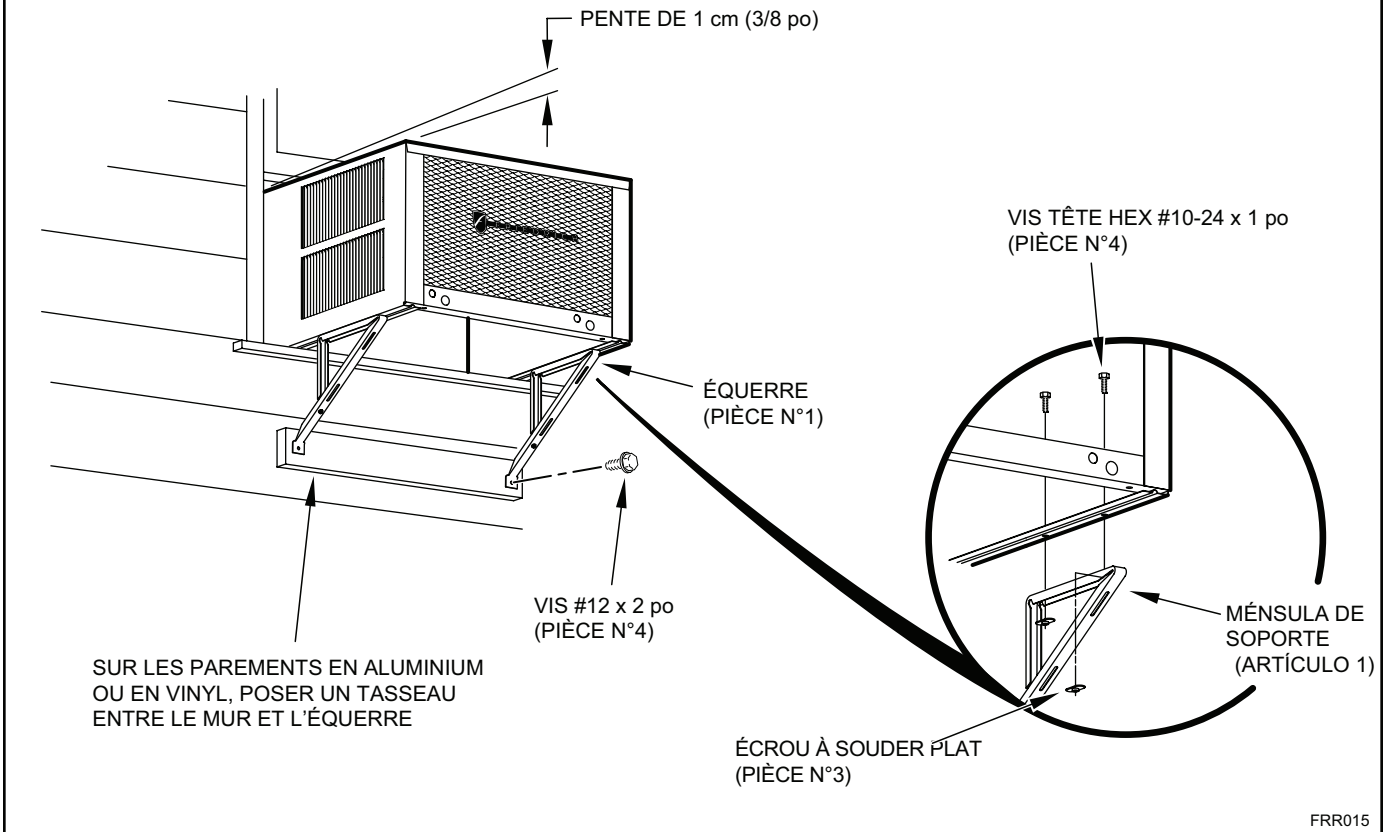


Figure 20

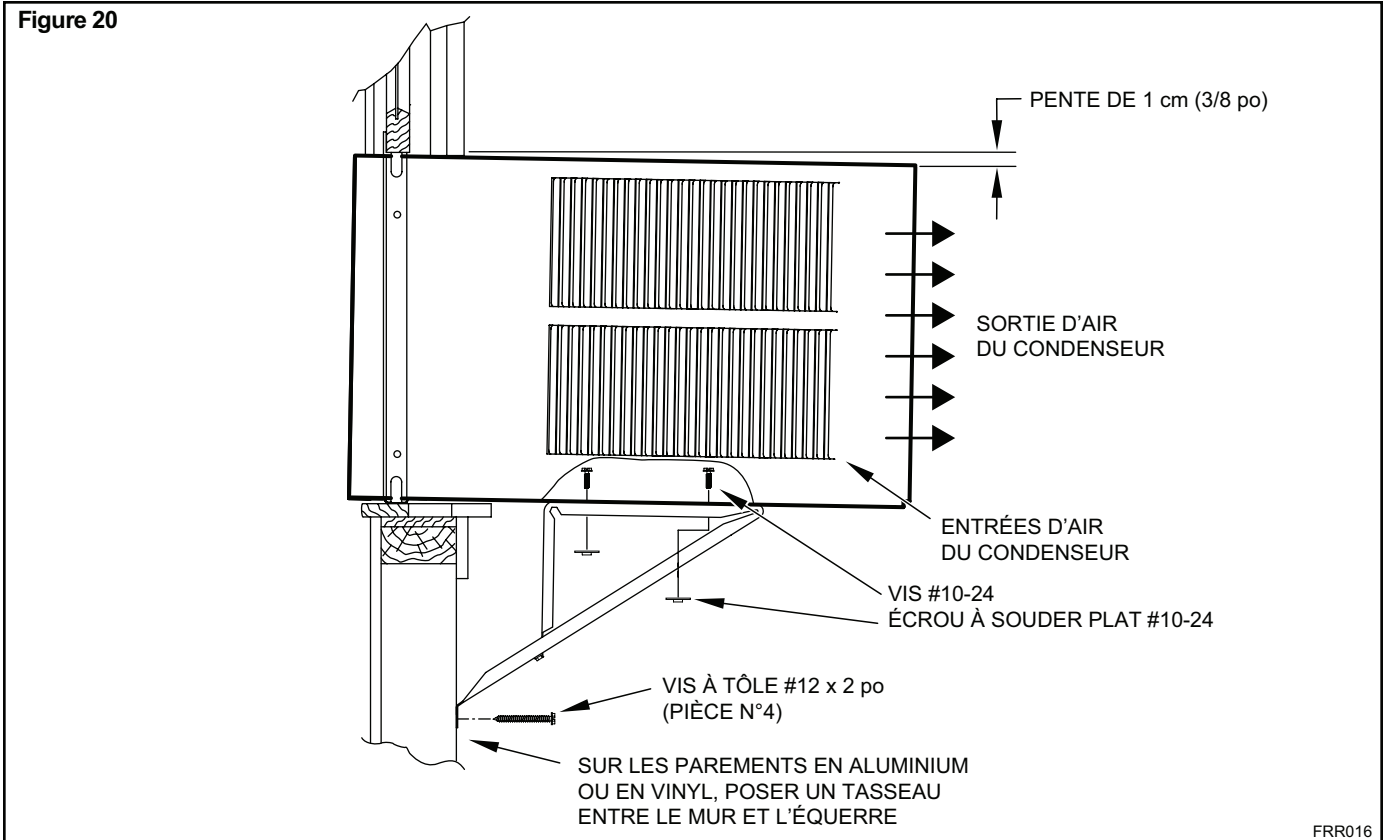
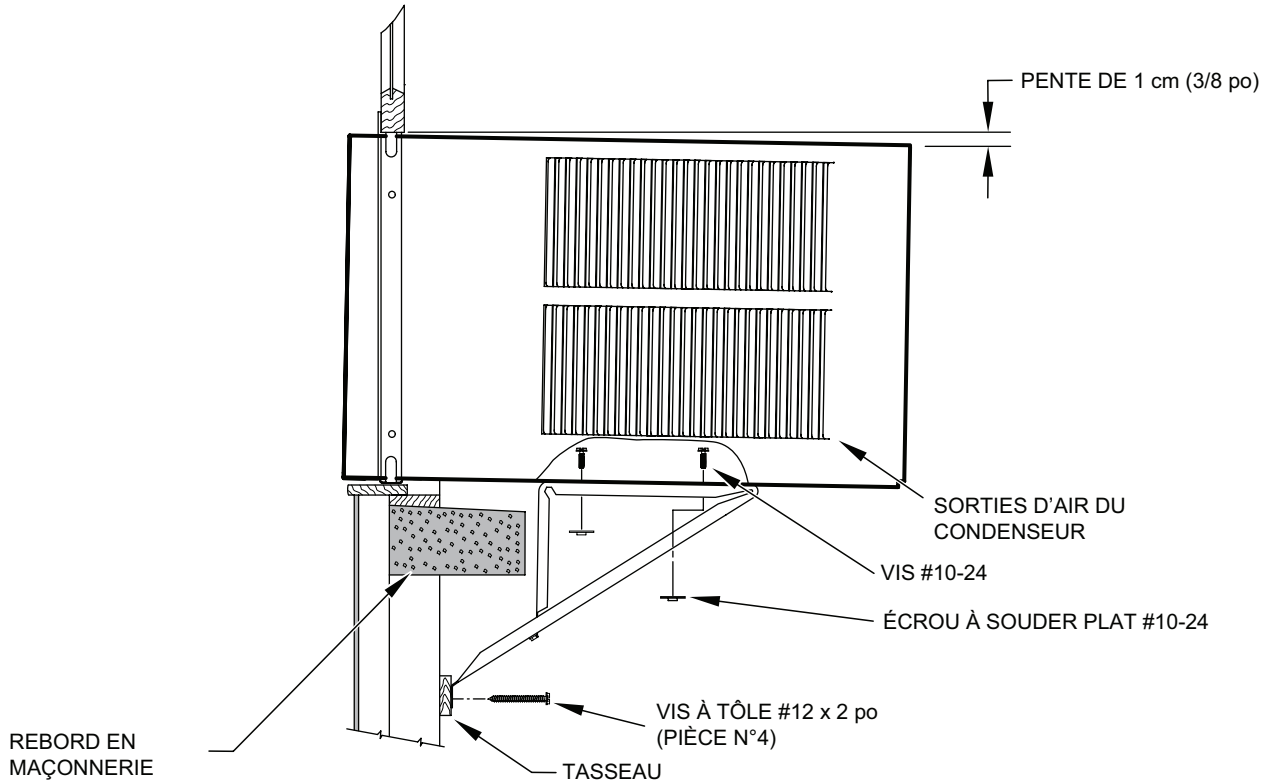
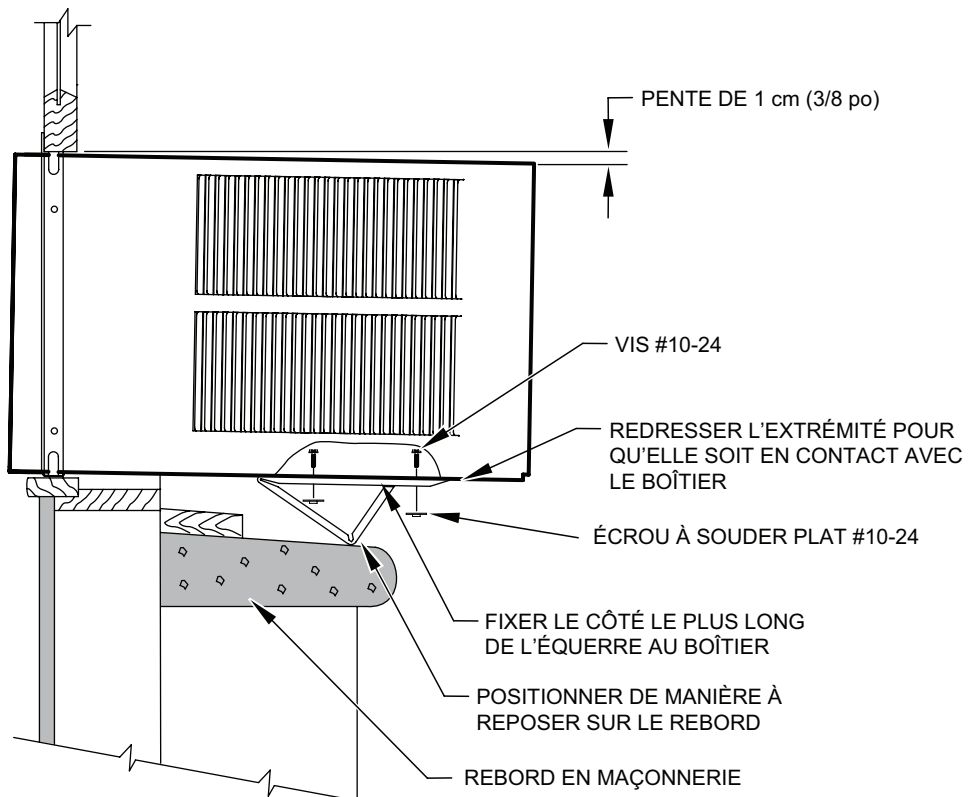


Figure 21



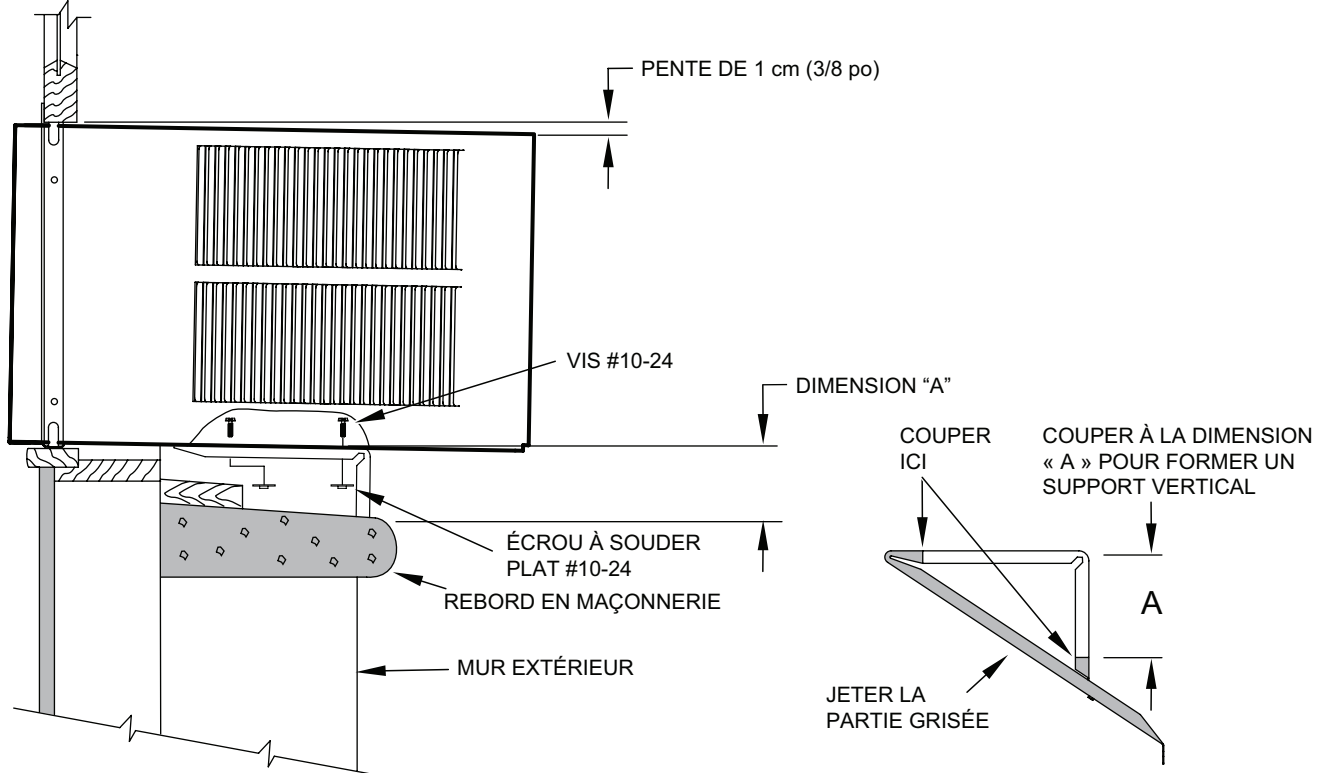
FRR017

Figure 22



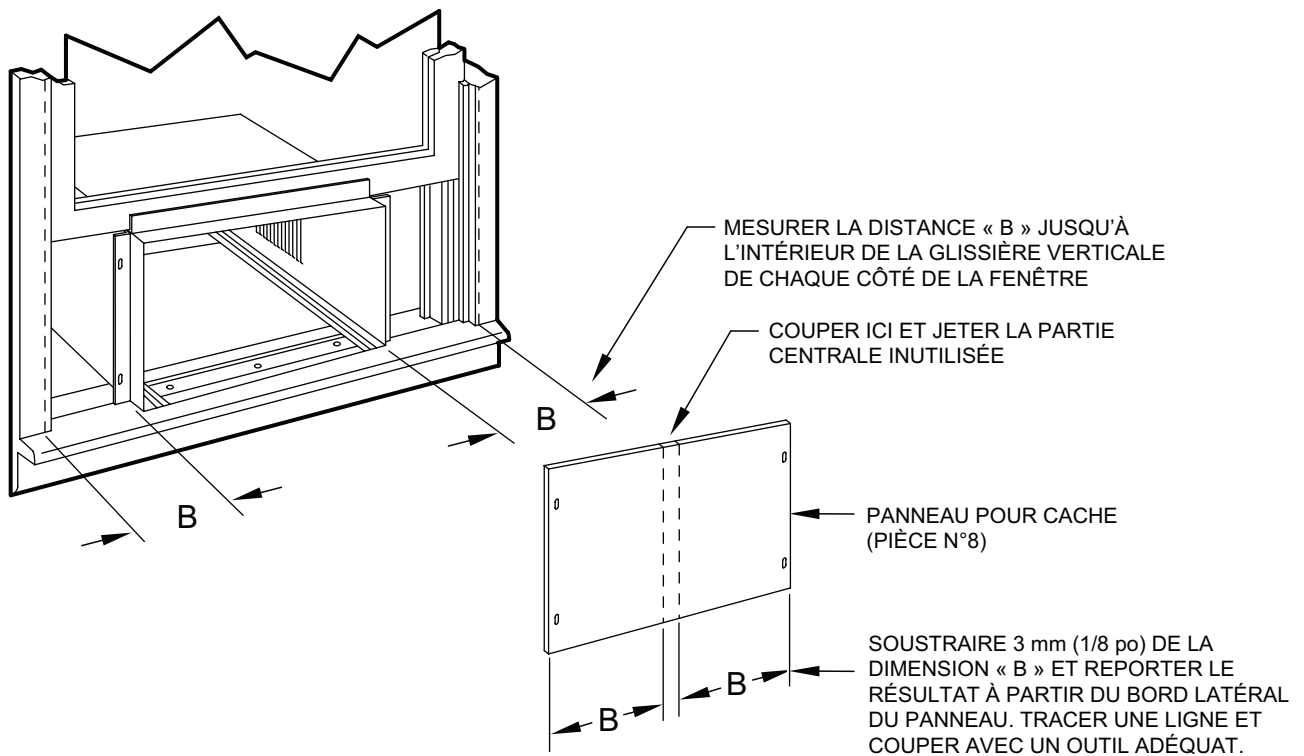
FRR018

Figure 23




FRR019

Figure 24



FRR020

ÉTAPE 10. INSTALLATION DES JOINTS DE LA FENÊTRE – Mesurez le joint de vinyle (teinte grise, pièce N°12) et coupez-le à la largeur de la fenêtre, puis installez-le tel qu'indiqué à la figure 27. Abaissez le châssis de la fenêtre derrière le joint d'étanchéité. Mesurez et coupez le joint en mousse de couleur foncée (pièce N°13) et posez-le entre la vitre supérieure et le haut du châssis inférieur (voir figure 27).

⚠ ATTENTION	
	<p>Poids excessif</p> <p>Au moins deux personnes sont requises pour la pose du climatiseur. Ignorer cet avertissement peut entraîner des blessures au dos ou d'autres blessures.</p>

⚠ ATTENTION	
	<p>Risque de coupures graves</p> <p>Malgré le soin apporté dans la fabrication de cet appareil, certaines arêtes peuvent être coupantes. Utilisez des gants de travail et soyez prudents lors de la manutention de cet appareil.</p> <p>Négliger cette précaution peut entraîner des blessures mineures à modérées.</p>

ÉTAPE 11. Demandez de l'aide pour soulever délicatement l'appareil, puis glissez celui-ci dans le boîtier en vous arrêtant à environ 8 cm (3 po) de la course complète. Insérez le joint d'étanchéité du boîtier (pièce N°14) à 2,5 cm (1 po) de profondeur entre l'appareil et le boîtier (voir page 28, figure 29). En vous aidant d'une spatule en bois ou d'un couteau à mastic, commencez l'insertion du joint dans l'un des coins inférieurs en remontant sur le côté, puis le long de la partie supérieure, pour finir dans le coin inférieur opposé. Ensuite, poussez l'appareil complètement dans le boîtier. chasis completamente adentro del gabinete.

NOTE: Une installation incorrecte ou l'absence du joint d'étanchéité compromettra l'efficacité de l'appareil. Cela contribuera également à augmenter le bruit de l'appareil et les bruits extérieurs.

ÉTAPE 12. Réinstallez le câble de sécurité Entrygard sur l'appareil au moyen de la vis conservée à l'étape 1 (voir figure 14).

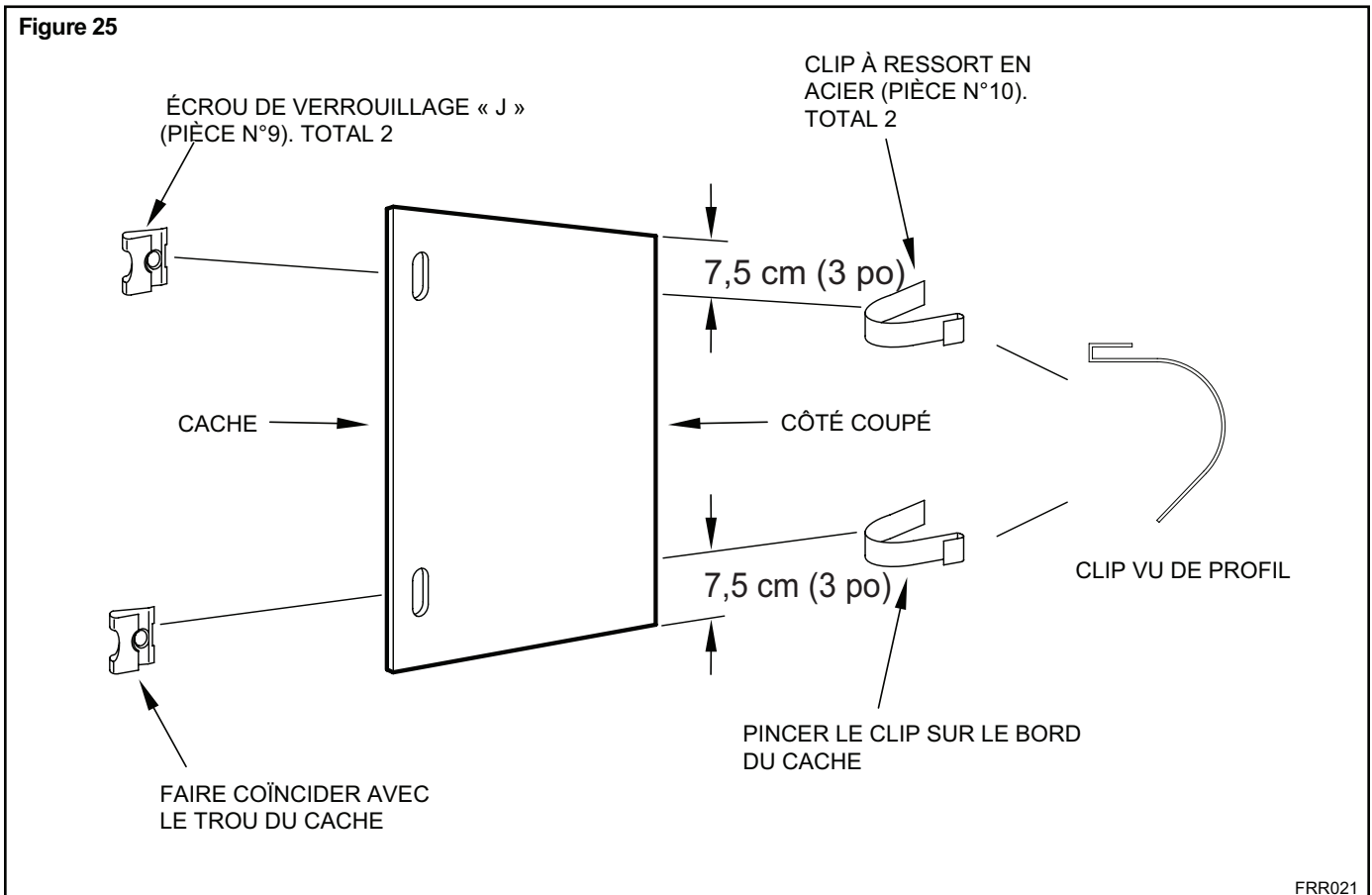
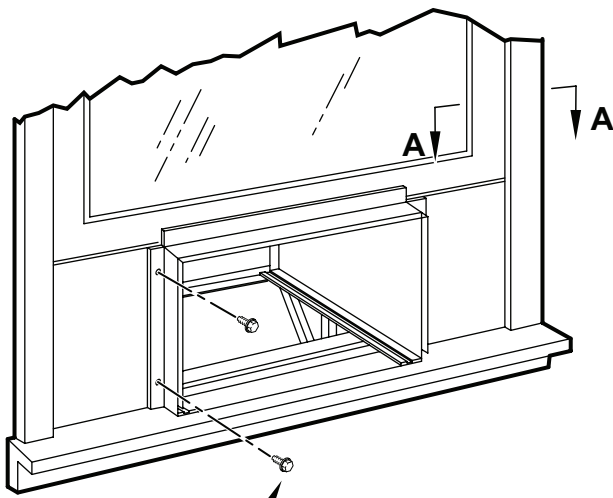
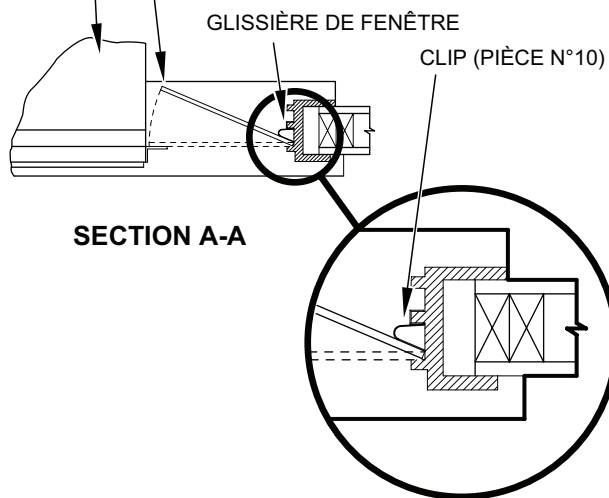


Figure 26

DESSUS DU BOÎTIER

INSÉRER LE CACHE DANS LA GLISSIÈRE DE LA FENÊTRE EN COMPRIMANT LES RESSORTS, PUIS RABATTRE LE CACHE EN PLACE TEL QU'INDIQUÉ PAR LES LIGNES EN POINTILLÉ.

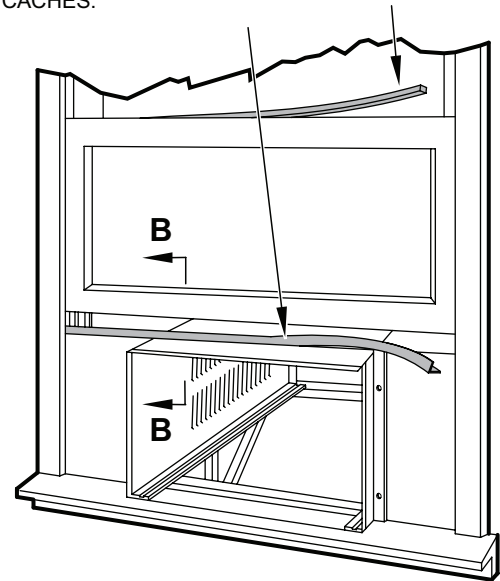


FIXER LES CACHES AUX PROFILS LATÉRAUX AVEC LES 4 VIS #8 x 1/2 po (PIÈCE N°11), 2 DE CHAQUE CÔTÉ.

FRR022

Figure 27

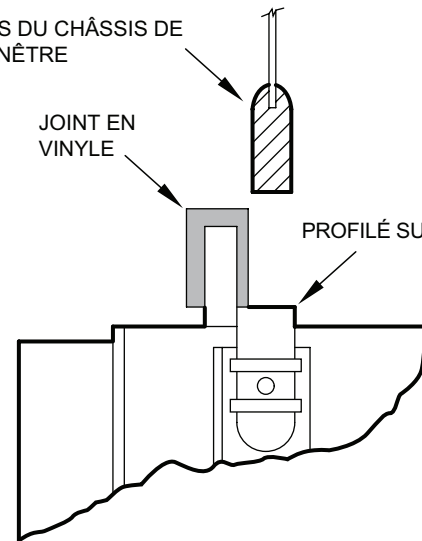
INSÉRER LE JOINT EN VINYLE (PIÈCE N°12) SUR LE PROFILÉ SUPÉRIEUR ET LES CACHES. INSTALLER LE JOINT EN MOUSSE (PIÈCE N°13).



BAS DU CHÂSSIS DE FENÊTRE

JOINT EN VINYLE

PROFILÉ SUPÉRIEUR



SECTION B-B

FRR023

FACULTATIF : À la sortie d'usine, le cordon d'alimentation se trouve sur le côté inférieur gauche de l'appareil. Selon les préférences de l'utilisateur, la sortie du cordon peut être placée à droite. Pour ce faire, dirigez le cordon vers le côté droit en le tendant entre les brides, puis faites-le sortir vers le bas (Voir Changement d'orientation du cordon, figure 30).

ÉTAPE 13. Pour installer la grille de façade sans l'endommager, faites passer le cordon d'alimentation dans l'encoche passe-fil et centrez le levier de renouvellement d'air. Puis vissez les 4 vis captives indiquées par les flèches à la figure 28. Avant de fermer le panneau de façade, assurez-vous que le filtre est en place. Veillez à ce que les rideaux n'obstruent pas les entrées d'air latérales.

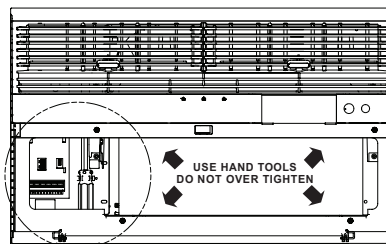
ÉTAPE 14. Reportez-vous au chapitre Le tableau de bord de l'appareil.

ÉTAPE 15. Vous voici prêt à prendre les commandes du climatiseur.

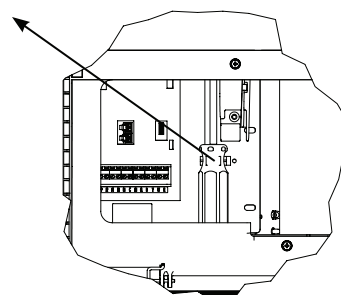
Utilisez l'outil fourni

Pour fixer le panneau de finition sur la façade de l'appareil, veuillez utiliser l'outil fourni.

Figure 28

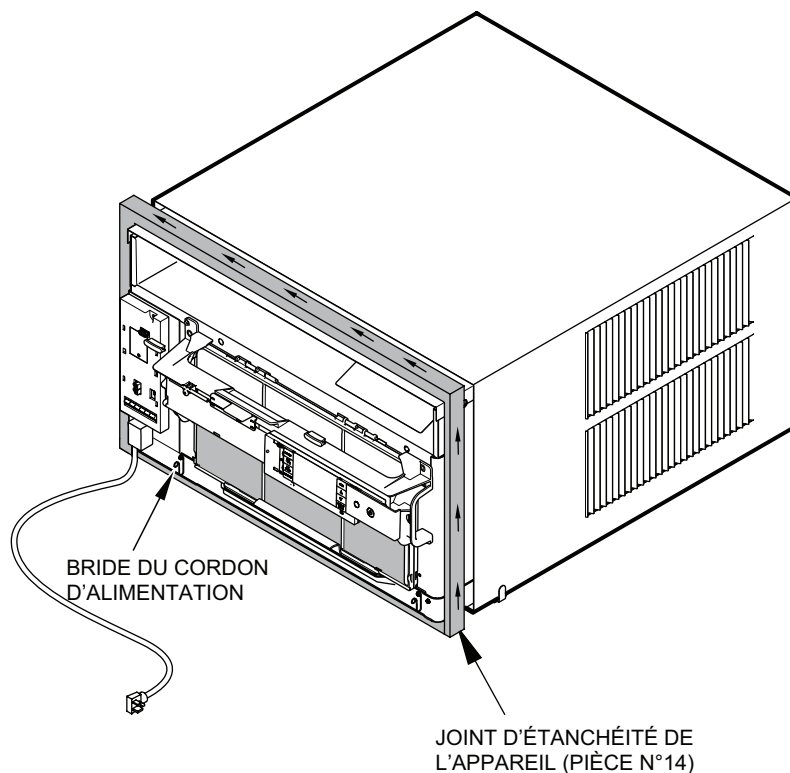


EMPLACEMENT
DE L'OUTIL DE
DÉMONTAGE
DE LA GRILLE



FRR053

Figure 29



NOTE : LORS DE L'INSTALLATION DU JOINT D'ÉTANCHÉITÉ, COMMENCER À L'UN DES COINS INFÉRIEURS, PUIS FAIRE LE TOUR PAR LE DESSUS DE L'APPAREIL JUSQU'AU COIN INFÉRIEUR OPPOSÉ.

FRR024

CETTE PAGE EST LAISSÉE VIDE INTENTIONNELLEMENT

Changement d'orientation du cordon

Débranchez l'appareil.

⚠️ AVERTISSEMENT



Risque d'électrocution

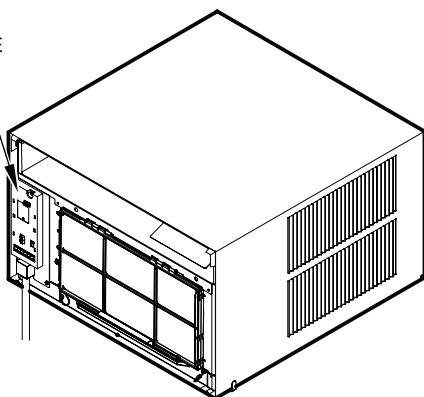
Assurez-vous que votre prise électrique murale corresponde à la prise du climatiseur ou faites appel à un électricien professionnel.
N'utilisez pas d'adaptateur de prise.
N'utilisez pas de cordon de rallonge.
N'enlevez pas la broche de mise à la terre.
Branchez uniquement sur une prise 3 broches, reliée à la terre.
Toute ignorance de ces recommandations peut entraîner une électrocution pouvant être mortelle ou un incendie.

Dans un but pratique et esthétique, la sortie du cordon d'alimentation peut être placée à droite. Veuillez suivre la méthode ci-dessous.

Choisissez l'emplacement de la sortie du cordon vers la gauche ou vers la droite en fonction de l'emplacement de la prise murale.

Figure 30

PANNEAU ÉLECTRIQUE



NOTE:

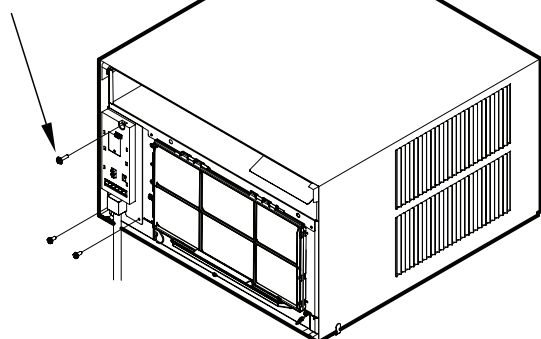
POUR ENLEVER LE PANNEAU DE FINITION, UTILISER L'OUTIL FOURNI (VOIR FIGURE 28) DE LA HERRAMIENTA)

FRR054

Retirez les 3 vis du panneau électrique, tel qu'illustré. Conservez ces vis pour la réinstallation.

Figure 31

VIS DU PANNEAU ÉLECTRIQUE (3)

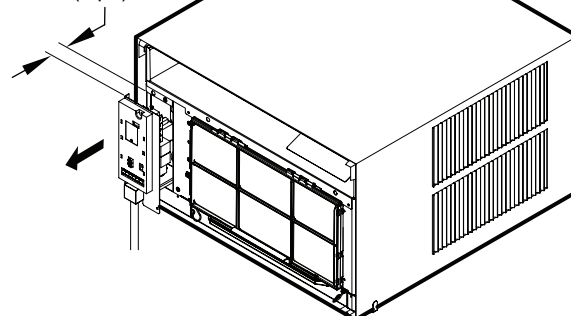


FRR055

ÉTAPE 16. Tirez délicatement sur le panneau électrique en l'éloignant de 2,5 cm (1 po) seulement.

Figure 32

2,5 cm
(1 po)



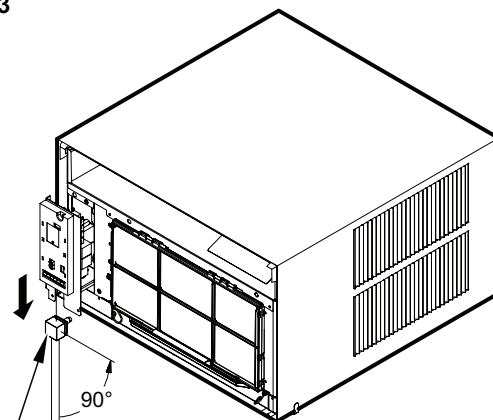
FRR056

ÉTAPE 17. Tirez le serre-câble vers le bas pour le libérer, puis tournez-le de 90° vers la droite.

Figure 33

SERRE-CÂBLE

90°

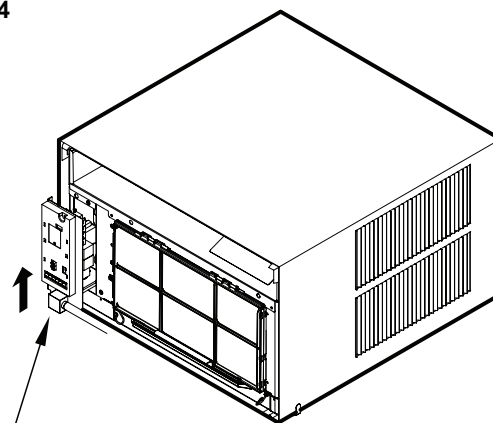


FRR057

ÉTAPE 18. Réinsérez le serre-câble dans le panneau électrique.

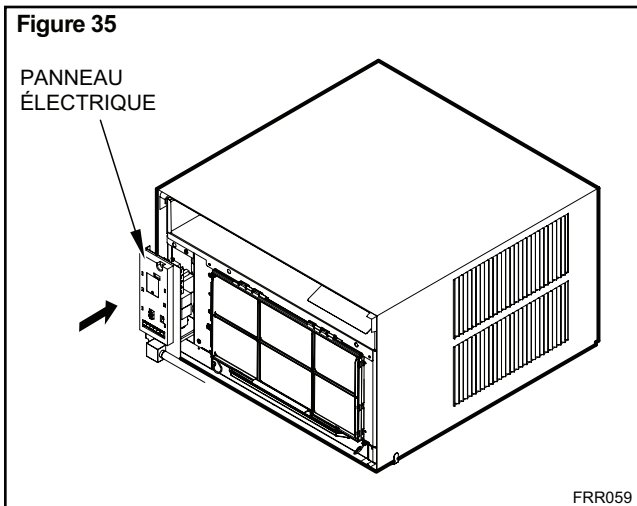
Figure 34

S'ASSURER QUE LE SERRE-CÂBLE EST BIEN INSÉRÉ D'AFFLEUREMENT AVEC LE PANNEAU ÉLECTRIQUE

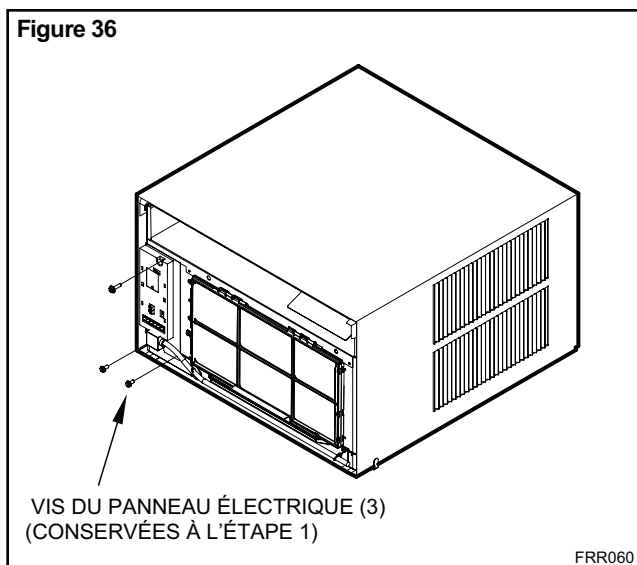


FRR058

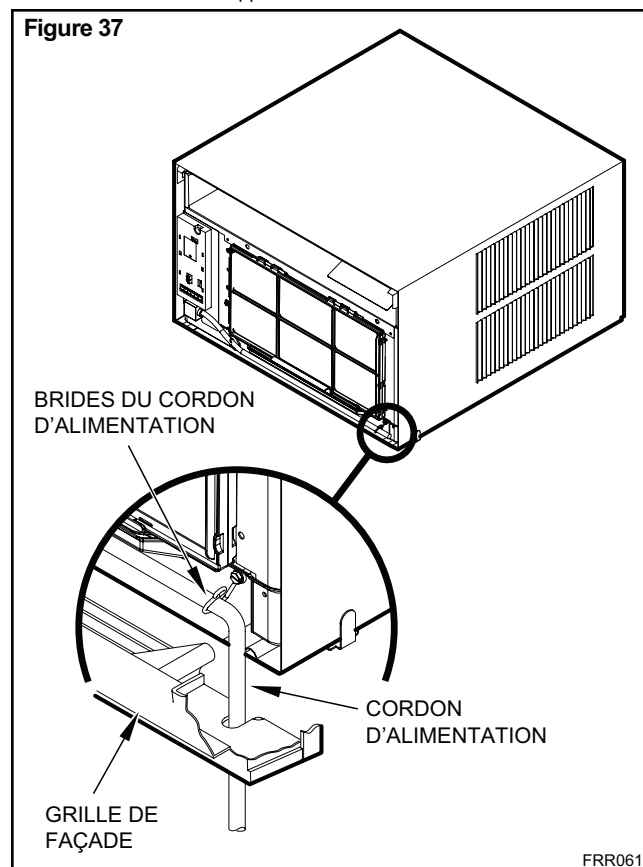
ÉTAPE 19. Repoussez délicatement le panneau électrique dans son logement.



ÉTAPE 20. Remettez en place les 3 vis enlevées précédemment afin de fixer le panneau électrique.



ÉTAPE 21. Si la sortie du cordon d'alimentation doit se trouver sur le côté droit, faites passer le cordon dans les brides situées à la base de l'appareil.

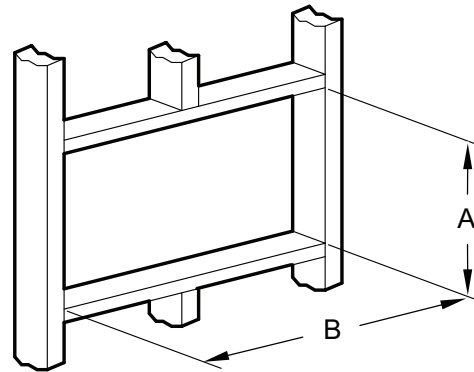


Installation à travers le mur

Les instructions suivantes se rapportent aux constructions en bois, pierres, briques, béton ou blocs de béton de scorie.

ÉTAPE 1. Suivez les étapes 1, 2, 3 et 4 du chapitre « Installation en fenêtre à guillotine » débutant à la page 20.

ÉTAPE 2. PRÉPARATION DU BOÎTIER – Retirez le rail d'appui du boîtier en enlevant les 4 vis avec écrous (figure 38). Retirez également la vis et l'écrou qui retiennent le boîtier sur le côté droit (figure 38, détail A). Repliez complètement vers l'intérieur les pattes de chaque côté du rail d'appui ou coupez-les (figure 38, détail B). Inversez les deux extrémités du rail d'appui en le faisant pivoter de 180° (figure 38, détail B) et réinstallez-le. Les vis doivent être insérées vers l'intérieur, de sorte que leur tête se trouve sous le boîtier et les écrous à l'intérieur (figure 38, détail C). N'oubliez pas de réinstaller la vis et l'écrou de retenue du boîtier tel qu'illustré sur le détail.



IMPORTANT

Les grilles du condenseur côté extérieur NE DOIVENT PAS ÊTRE OBSTRUÉES par l'épaisseur du mur.

ÉTAPE 3. PRÉPARATION DU MUR – Le maximum admissible pour l'épaisseur du mur, sans modification, dépend du format du climatiseur. Veuillez respecter les indications de la figure 39. Pour les murs dont l'épaisseur dépasse le maximum admissible, vous devrez appliquer les modifications illustrées à la figure 39.

CIRCUIT ÉLECTRIQUE ET PLOMBERIE – Assurez-vous

ÉTAPE 4. qu'aucun câble électrique ou élément de plomberie, à l'intérieur comme à l'extérieur, ne risque d'être endommagé lors de l'ouverture du mur.

CONSTRUCTION DE L'OUVERTURE – Consultez le

ÉTAPE 5. tableau 4 pour déterminez les dimensions de l'ouverture en fonction du format de l'appareil. Pratiquez l'ouverture et construisez l'encadrement aux dimensions finales. S'il s'agit d'un mur conventionnel en charpente de 2 x 4 avec parement de brique ou de dalles de pierre, positionnez l'ouverture contre l'un des montants de charpente. S'il s'agit d'un mur en pierre, en béton ou en blocs de béton de scorie, positionnez l'ouverture selon vos préférences (Voir figures 40, 41 et 42).

Tableau 4

DIMENSIONS FINALES	PETIT FORMAT	FORMAT MOYEN	GRAND FORMAT
A	41,1 cm (16 3/16 po)	46,2 cm (18 3/16 po)	51,7 cm (20 3/8 po)
B	66,5 cm (26 3/16 po)	66,5 cm (26 3/16 po)	71,7 cm (28 1/4 po)

Note : Ces chiffres représentent les dimensions finales de l'ouverture.

Figure 38

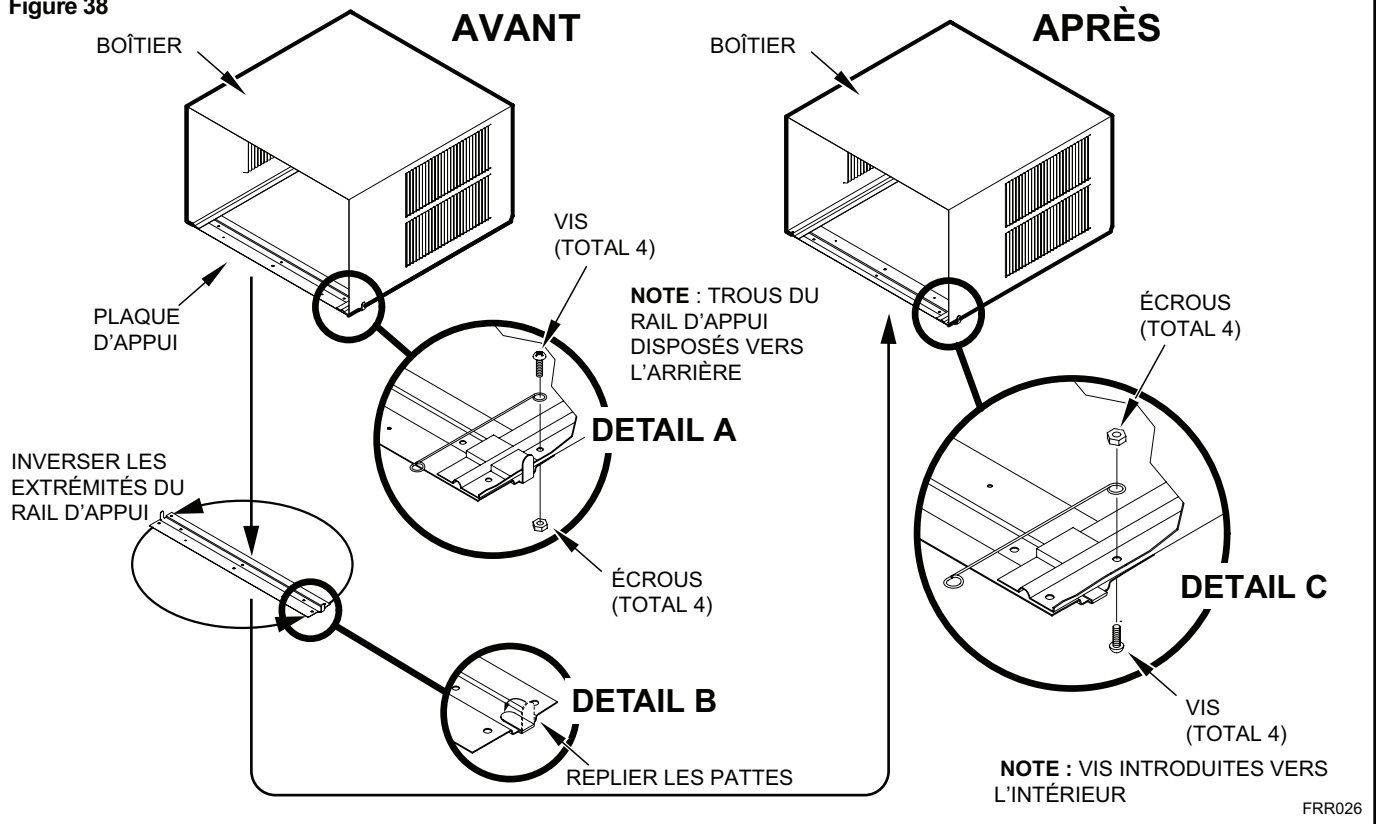


Figure 39

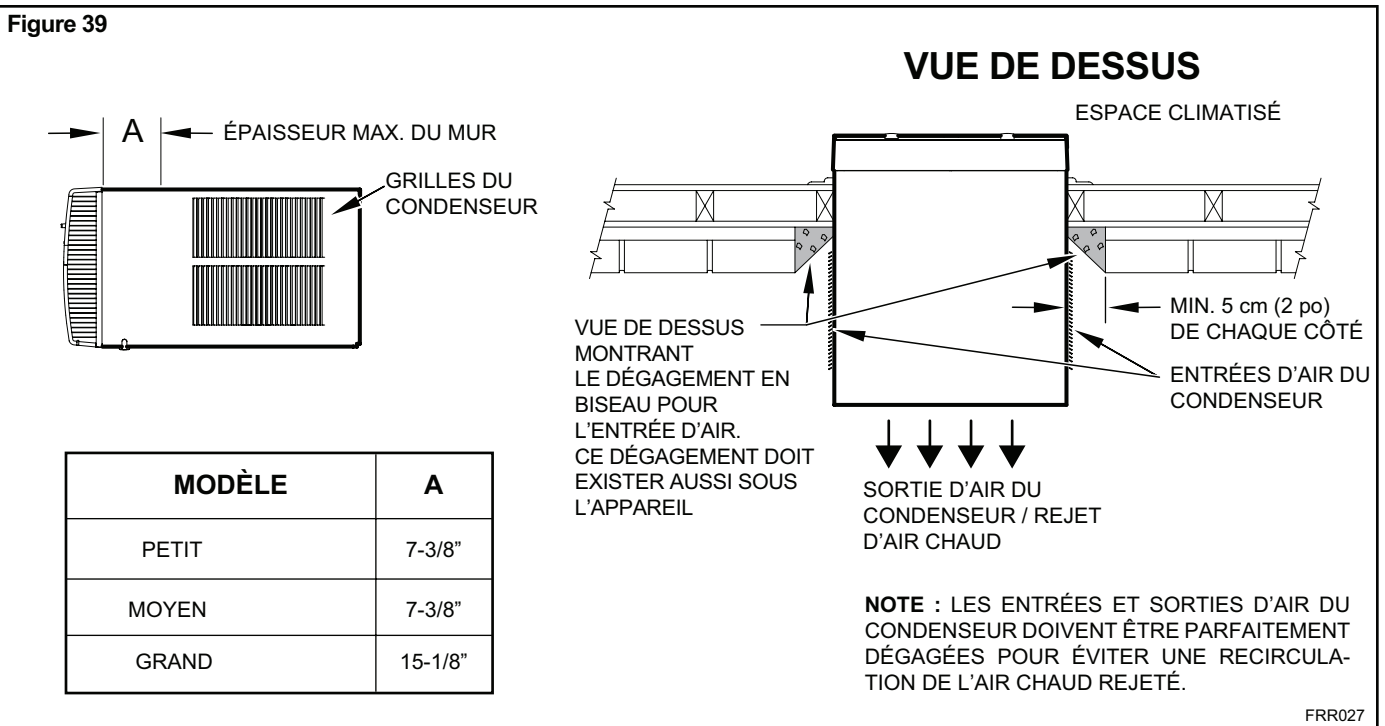


Figure 40

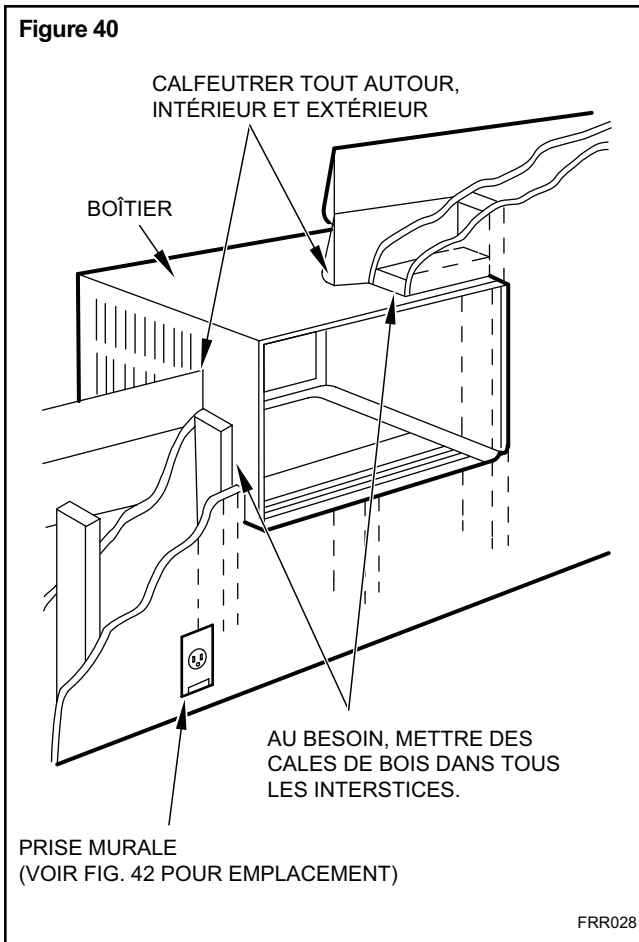


Figure 41

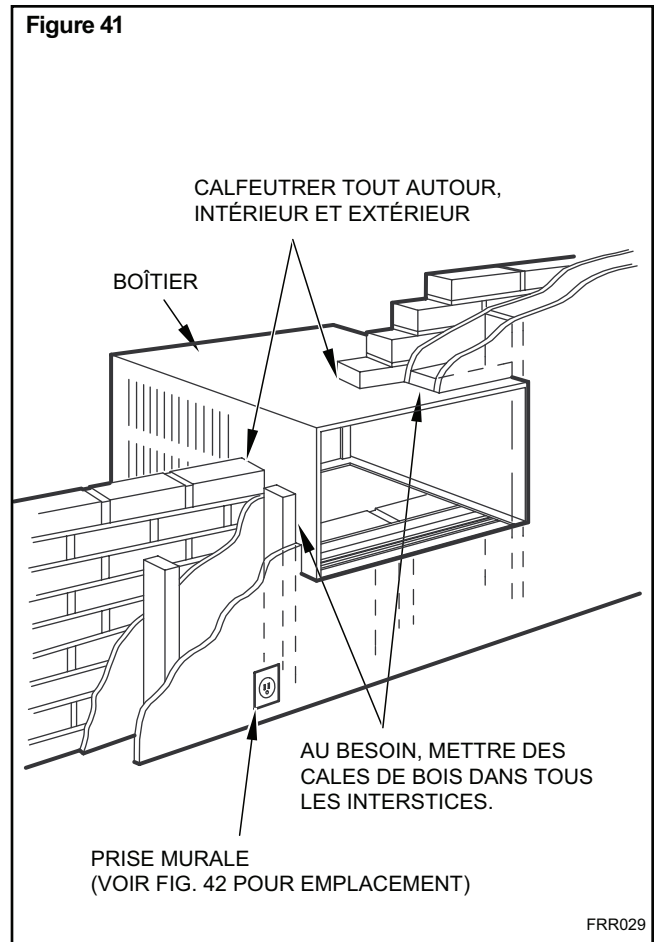
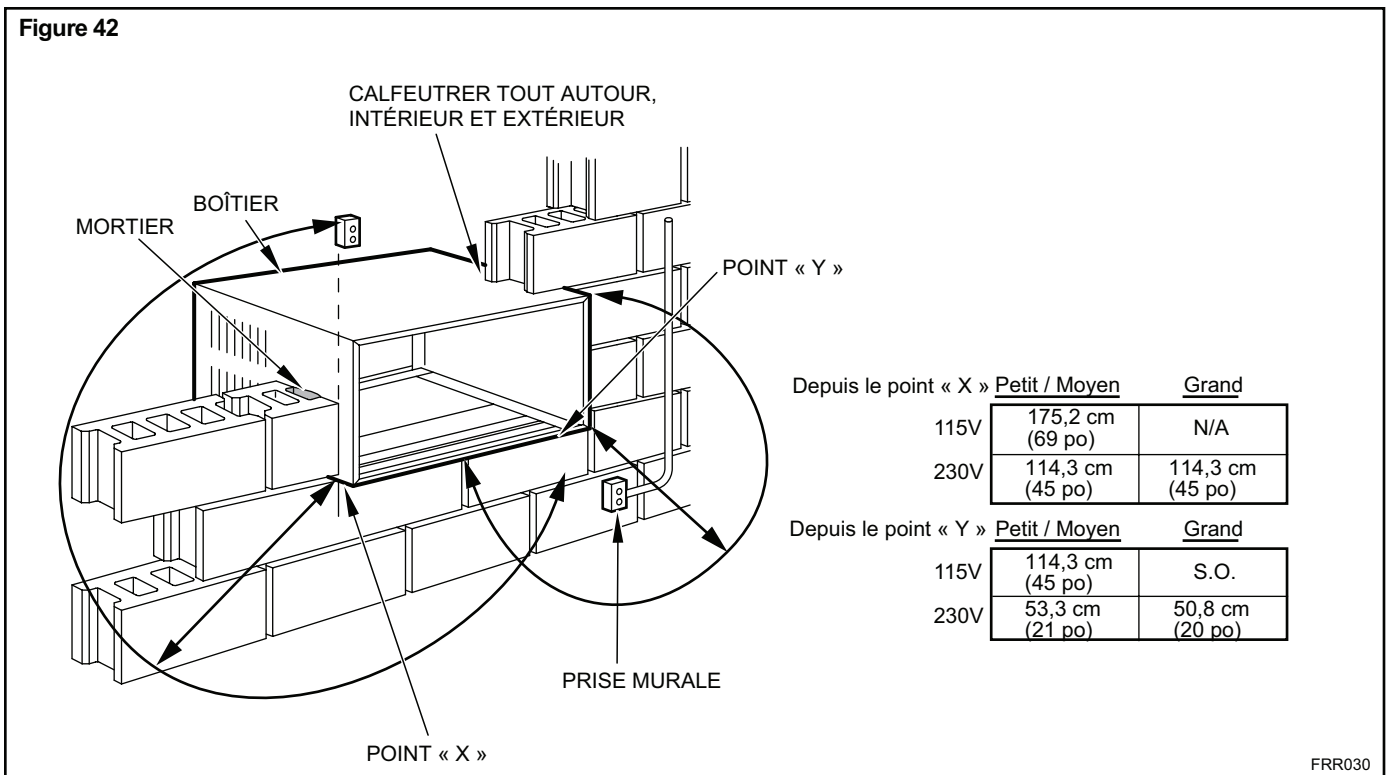


Figure 42

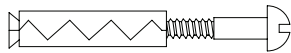


Depuis le point « X »		Petit / Moyen	Grand
115V	175,2 cm (69 po)		N/A
230V	114,3 cm (45 po)		114,3 cm (45 po)
Depuis le point « Y »		Petit / Moyen	Grand
115V	114,3 cm (45 po)		S.O.
230V	53,3 cm (21 po)		50,8 cm (20 po)

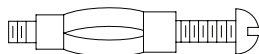
ÉTAPE 6. Introduisez le boîtier dans l'ouverture jusqu'à ce que le rail d'appui soit en contact avec la surface intérieure du mur (voir figure 43).

ÉTAPE 7. Percez 3 trous de 4 mm (5/32 po) de diamètre dans l'encadrement (de manière à ce qu'ils coïncident avec les trous du rail d'appui), puis posez 3 vis #12 x 2 po (Pièce N°4) (Voir figure 43).

NOTE: Pour fixer le rail d'appui ou les équerres dans des matériaux autres que le bois (blocs de béton, briques, pierre ou béton), utilisez les ancrages adéquats. Vous pouvez vous procurer ces articles dans un magasin de bricolage.



BOULON À COQUILLE D'EXPANSION



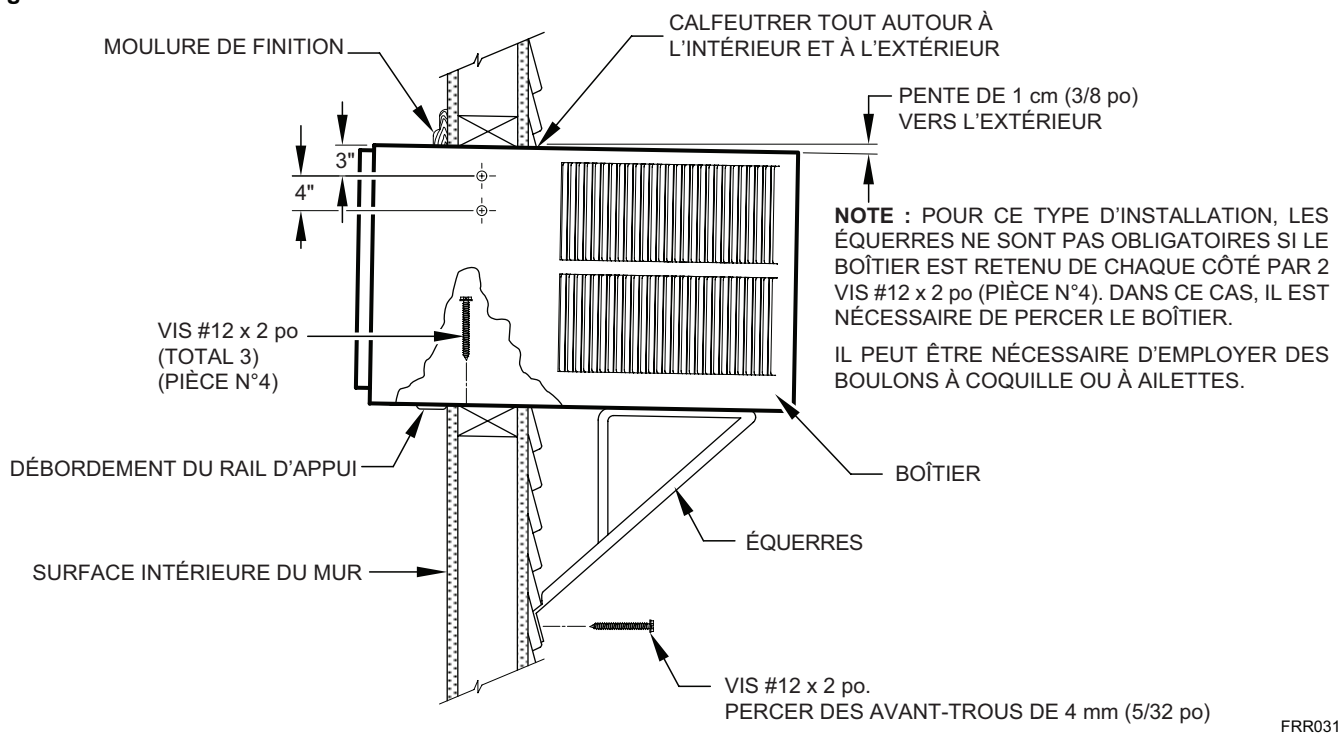
BOULON À AILETTES

NOTE: Ne METTEZ PAS LE BOÎTIER DE NIVEAU, mais prévoyez une pente de 1 à 1,3 cm (3/8 à 1/2 po) (1/8 à 1/4 sur le niveau à bulle) vers l'extérieur du bâtiment.

ÉTAPE 8. Percez 2 trous de 4 mm (5/32 po) de diamètre de chaque côté du boîtier aux emplacements indiqués à la figure 43 et posez 4 vis #12 x 2 po (Pièce N°4). En raison de la solidité des éléments de charpente de l'ouverture (étape 5), l'utilisation des équerres de soutien pourrait être facultative. L'installation doit pouvoir supporter l'appareil, plus un poids supplémentaire de 181 kg à l'arrière du boîtier. Si vous disposez d'équerres (Pièce N°1), vous pouvez les installer tel qu'indiqué à la figure 43.

ÉTAPE 9. Complétez l'installation en suivant les étapes 12 à 15 du chapitre Installation en fenêtre à guillotine (page 20).

Figure 43



FRR031

Thermostat programmable

Votre climatiseur comporte un thermostat perfectionné, à programme de 7 jours, vous permettant de commander la mise en marche ou l'arrêt, ainsi que le changement des modes et le contrôle de la température en tout temps.

Les réglages d'usine sont indiqués dans l'annexe 1 (Tableau de programmation – Mode d'économie d'énergie). Vous pouvez modifier ces réglages en suivant les instructions ci-dessous. Il existe 4 types de périodes hebdomadaires :

1. Du lundi au vendredi.
2. Le samedi et le dimanche uniquement.
3. Du lundi au dimanche.
4. Jours individuels (de lundi à dimanche)

Chacune de ces périodes comporte 4 séquences : WAKE (Réveil : 6h00), AWAY (Absence : 8h00), RETURN (Retour : 18h00) et NIGHT (Nuit : 22h00).

L'heure de début de chaque période peut être modifiée. De plus, la température et le mode de ventilation peut être réglé individuellement pour chaque période.

Admettons par exemple que vous viviez sous un climat froid. Vous partez travailler à 8h00 et rentrez vers 18h30. Vous pouvez donc baisser la température pendant votre absence. À 18h00, une élévation de température rendra votre domicile plus confortable pour votre retour.

Séquence Wake (Réveil) – Réglage 1



FRR032

Appuyez sur **SCHEDULE** pendant 3 secondes pour entrer dans la programmation. Au bout de 5 minutes d'inactivité le thermostat sort du mode de programmation et retourne en mode normal sans conserver vos modifications. Pour conserver vos modifications avant de sortir du mode programmation, vous devez maintenir enfoncée la touche **SCHEDULE** pendant 3 secondes. La touche **BACK** vous permet de revenir dans les options du menu.



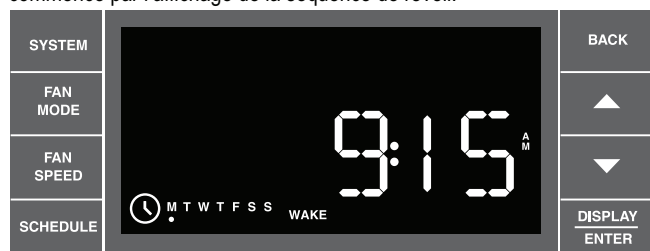
FRR033

Un signal sonore confirme que vous entrez dans le mode programmation, et l'icône de programmation s'allume. L'affichage indique d'abord tous les jours de semaine (du lundi au vendredi). Toute modification s'applique uniformément à toutes ces journées.



FRR034

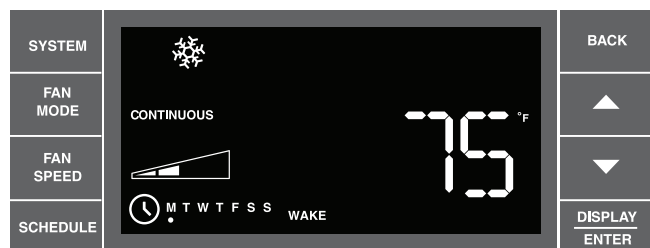
Vous pouvez choisir une autre période hebdomadaire en appuyant sur la touche **SCHEDULE**. En appuyant plusieurs fois sur **SCHEDULE**, vous passerez d'une période à l'autre dans l'ordre suivant : MTWTFSS, du lundi au dimanche puis chaque jour individuellement : M, T, W, Th, F, Sat, Sun. Avec ce dernier mode, il vous est possible de personnaliser les 4 séquences de température pour chaque jour. Cette méthode est très pratique si vos périodes de travail sont irrégulières. Chaque période hebdomadaire commence par l'affichage de la séquence de réveil.



FRR035

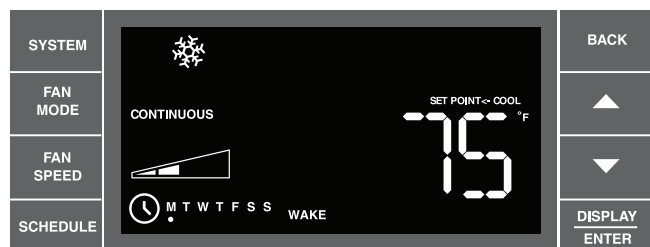
Pour modifier l'heure, appuyez sur **▲** ou sur **▼** pour avancer ou reculer de 15 minutes respectivement. Lorsque vous avez réglé l'heure, appuyez sur **DISPLAY/ENTER** pour passer à l'étape suivante.

Séquence Wake (Réveil) – Réglage 2



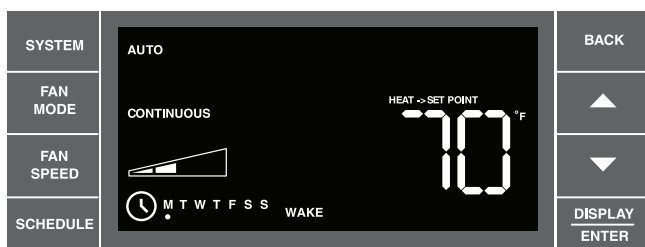
FRR036

Vous avez maintenant accès au réglage des paramètres de système, de ventilation, de vitesse de ventilation et de température.



FRR037

Appuyez sur **SYSTEM**, **FAN MODE** ou **FAN SPEED** pour modifier le réglage correspondant. Appuyez sur **▲** ou sur **▼** pour régler la température du point de consigne de climatisation.



elle sera automatiquement modifiée pour préserver cet écart. **Presser** Si le système est réglé sur AUTO (modèles chauffage-climatisation), un point de consigne de chauffage (HEAT) s'allume. Appuyez sur ▲ ou sur ▼ pour augmenter ou diminuer la température du point de consigne de chauffage. Les autres paramètres (SYSTEM, FAN MODE, FAN SPEED) ne peuvent être réglés sur cet écran. En mode AUTO, l'écart de température entre la climatisation et le chauffage doit toujours être au minimum de 3 °F (environ 2 °C). Si l'une d'elle est trop rapprochée de sa contrepartie,

DISPLAY ENTER pour passer à la séquence suivante.



FRR039

Si vous sélectionnez FAN ONLY (ventilation seulement), le mot FAN s'affiche pendant 2 secondes. Dans ce mode, vous pouvez régler la vitesse du ventilateur. Les options sont : LOW (basse), MED (moyenne), HIGH (élevée) ou MAX* (maximum). La vitesse dépend du modèle de climatiseur. L'option MAX* est disponible sur tous les modèles SS et SM.



FRR040

Si vous désirez programmer un arrêt du climatiseur pendant une période donnée, une cinquième pression sur la touche **SYSTEM** affichera l'option OFF (Arrêt). Pendant la séquence sélectionnée, le système sera mis en hibernation jusqu'au début de la prochaine séquence. Cette option n'est disponible qu'en mode programmation. Si vous voulez provoquer un arrêt à la demande, appuyez simplement sur l'interrupteur Marche/Arrêt.



FRR041

Si vous voulez sauter une des 4 séquences pour un jour donné, appuyez sur la touche **SYSTEM**. Les options pour cette séquence seront remplacées par le mot SKIP. Vous pouvez annuler cette commande en appuyant à nouveau sur **SYSTEM** ou sur ▲ ou ▼. L'affichage indique les réglages effectués juste avant le choix de l'option SKIP. Appuyez sur **DISPLAY ENTER** pour passer à la séquence suivante.

Si vous voulez sauter l'une des 4 séquences sur un ou plusieurs jours, appuyez sur la touche **SYSTEM**. Les options pour cette séquence seront remplacées par le mot SKIP. Vous pouvez annuler cette commande en appuyant à nouveau sur **SYSTEM**. Le contrôleur maintient alors le réglage de la période qui précède immédiatement l'option SKIP et ce, jusqu'au début de la période suivante. Appuyez sur **DISPLAY ENTER** pour passer à la séquence suivante.

Séquences Away (Absence), Return (Retour), Night (Nuit)



FRR042

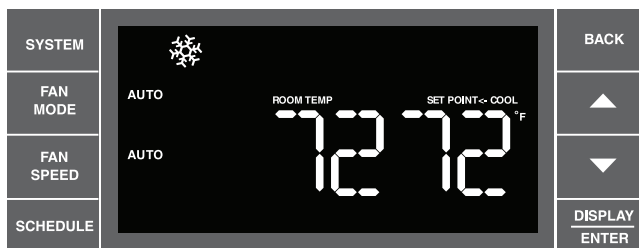
Chacune de ces séquences se règle de la même manière que la séquence Réveil. L'identification de la séquence s'affiche au fur et à mesure de la programmation.

Une fois les quatre séquences programmées, une pression sur la touche SCHEDULE fait passer la programmation au jour suivant ou à la période hebdomadaire suivante. Par exemple, si vous programmez les jours individuellement, la programmation passera de lundi à mardi, vous donnant accès aux 4 séquences de la journée de mardi, et ainsi de suite jusqu'à la fin de la semaine.

NOTE : Les périodes hebdomadaires défilent dans l'ordre suivant : Du lundi au vendredi (semaine), le samedi et le dimanche (fin de semaine), du lundi au dimanche (7 jours) puis chaque jour de la semaine dans l'ordre logique.

Veuillez noter que plusieurs pressions successives sur la touche SCHEDULE font défiler les options en boucle jusqu'à ce que l'utilisateur décide de sortir de ce mode.

Lorsque vous avez terminé le réglage des points de consigne (ou à n'importe quel moment de la programmation), vous pouvez appuyer sur la touche **SCHEDULE** pour passer au jour (ou au point de consigne) suivant, ou encore maintenir la touche **SCHEDULE** pendant 3 secondes pour sauvegarder vos réglages et sortir de la programmation. Une fois la programmation terminée, vous pouvez sauvegarder et sortir de cette séquence ou choisir une autre période hebdomadaire en appuyant sur SCHEDULE.



FRR043

La programmation est terminée.


Liste de vérification finale

- Vérifier que tous les éléments et les accessoires ont été correctement installés et qu'ils n'ont pas été endommagés au cours de l'installation.
- S'assurer que le drain (ou les drains) de condensat est adéquat pour l'évacuation de l'eau et qu'il a été approuvé par l'utilisateur final.
- Vérifier que les distances de dégagement autour de l'appareil ont bien été respectées. S'assurer que le filtre à air de l'appareil et les serpentins, intérieur et extérieur, sont exempts de toute obstruction.
- Vérifier que les disjoncteurs ou les fusibles et l'ensemble du câblage fourni sont d'une puissance adéquate. Si l'appareil a été livré avec un cordon d'alimentation, s'assurer que celui-ci est positionné convenablement.
- S'assurer que l'ensemble de l'installation répond aux exigences des codes en vigueur et à toute réglementation applicable.
- Vérifier que tous les accessoires, tel que le panneau de façade, sont bien en place.
- Mettre l'appareil en marche et vérifier son bon fonctionnement dans chacun des modes.
- Expliquer au propriétaire ou à l'opérateur le fonctionnement de l'appareil et fournir les recommandations concernant l'entretien périodique.

NOTE: NOTE : Recommandez la tenue d'un registre des opérations d'entretien et des réparations.

- Remettre au propriétaire ou à l'opérateur le manuel d'installation et d'utilisation de l'appareil et de tous les accessoires ainsi que l'adresse et le numéro de téléphone de l'entreprise de service agréée par Friedrich la plus proche.


Cet appareil est conçu pour les saisons chaudes

Votre climatiseur est conçu pour fournir de l'air frais lorsque la température extérieure se situe entre 15,5 °C (60 °F) et 46 °C (115 °F). Par conséquent, il ne rafraîchira pas votre pièce s'il fait déjà froid à l'extérieur. Si vous désirez de l'air frais au printemps ou en automne, choisissez le mode FAN ONLY (ventilation seulement)  et placez la commande Air neuf / Extraction sur Air neuf.

La formation de condensation est normale

Les climatiseurs pompent effectivement la chaleur et l'humidité de votre pièce et l'évacuent à l'extérieur. L'humidité transformée en eau sera utilisée en grande partie par le climatiseur pour refroidir le serpentin extérieur. S'il y a un excès d'humidité, de l'eau s'écoulera vers l'extérieur. Il n'y a rien d'anormal.

Problème de givrage

Ceci se produit généralement lorsque le débit d'air à travers les serpentins est insuffisant, lorsque le filtre est encrassé ou que le temps est froid et très humide ou pour toutes ces raisons à la fois. Réglez le mode SYSTEM sur FAN ONLY (ventilation seulement)  et le problème de givrage disparaîtra. Vous pouvez éventuellement prévenir ce problème en augmentant légèrement la température au thermostat.

Bruits de fonctionnement

Tous les climatiseurs produisent un peu de bruit. Les appareils Friedrich sont conçus pour être le plus silencieux possible. Un climatiseur monté dans un mur sera plus silencieux que s'il est monté en fenêtre. Veillez à ce que le joint d'étanchéité du boîtier (Pièce N°14) soit correctement installé (voir Instructions d'installation).

Les thermopompes fonctionnent différemment

Si votre appareil comporte une thermopompe (modèle « Y »), il y a certaines choses que vous devez savoir. En mode chauffage, une thermopompe se comporte différemment :

1. Il est normal que de la glace se forme sur le serpentin extérieur.

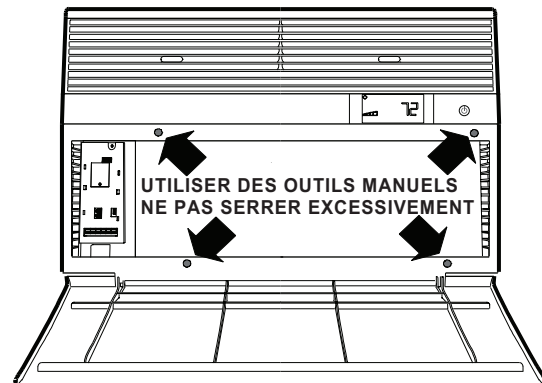
En traversant le serpentin, lorsqu'il fait très froid, l'humidité de l'air se transforme en glace.

2. Lorsque la température extérieure chute en dessous de 3 °C (37 °F), la thermopompe active automatiquement la résistance chauffante. Lorsque la température remonte à 4 °C (40 °F), le compresseur se remet en marche. Si votre appareil est un modèle 115 volts (YS10), il est conçu pour les climats plus chaud. Par conséquent il ne comporte pas d'élément chauffant et ne produira pas suffisamment de chaleur en dessous de 3 °C (37 °F).

Changement de la pile du panneau de commande

Retirez la grille en desserrant les 4 vis captives (voir figure 44). Dans le coin supérieur gauche, retirez la vis du couvercle du logement de la pile (voir figure 45). Remplacez la pile (CR2450). Remettez le couvercle en place. Alignez les guides de la grille puis resserrez les 4 vis captives. Avant de refermer le panneau de façade, vérifiez l'état du filtre. Nettoyez-le ou remplacez-le au besoin.

Figure 44



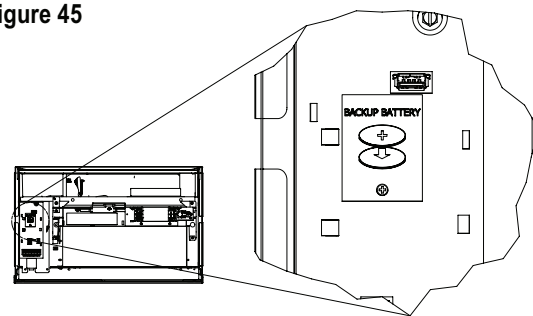
1. UTILISER DES OUTILS MANUELS POUR OUVRIR OU FERMER LE PANNEAU FRONTAL. NE PAS SERRER LES VIS EXCESSIVEMENT.



2. COUPER L'ALIMENTATION ET RESPECTER TOUS LES AVERTISSEMENTS LORSQUE LE PANNEAU EST OUVERT.



FRR010

Figure 45



Entretien périodique

Pour que l'appareil fonctionne correctement, le filtre à air doit être nettoyé une fois par mois, mais davantage si les conditions l'exigent. Avant l'entretien du filtre, éteindre l'appareil.

 AVERTISSEMENT	
	Risque d'électrocution Assurez-vous que votre prise électrique murale correspond à la prise du climatiseur ou faites appel à un électricien professionnel. N'utilisez pas d'adaptateur de prise. N'utilisez pas de cordon de rallonge. N'enlevez pas la broche de mise à la terre. Branchez uniquement sur une prise 3 broches, reliée à la terre. Toute ignorance de ces recommandations peut entraîner une électrocution pouvant être mortelle ou un incendie.

Retrait, lavage et remplacement du filtre

Abaissez le panneau de façade (voir figure 2). Soulevez la poignée du filtre et retirez celui-ci (voir figure 3). Nettoyez le filtre une fois par mois ou plus souvent si nécessaire. Reportez-vous au chapitre Accessoires pour les différents modèles de filtres.

Les serpentins et le boîtier

NOTE: N'utilisez pas de produits caustiques pour nettoyer les serpentins ou la plaque de fond du boîtier. Utilisez des produits nettoyants et dégraissants biodégradables. Des produits agressifs peuvent détériorer l'aluminium des ailettes ou les plaques d'extrémités des serpentins.

Les serpentins et la plaque de fond du boîtier doivent être inspectés régulièrement (1 ou 2 fois par an, ou plus souvent dans des conditions extrêmes) et débarrassés de toutes saletés (charpie, poussière, feuilles, papier, etc.). Nettoyez les serpentins et la plaque de fond avec une brosse souple et de l'air comprimé ou un aspirateur. Vous pouvez également utiliser un jet d'eau sous pression. Dans ce cas, faites attention de ne pas plier les batteries d'ailettes en aluminium et opérez un mouvement de haut en bas dans le sens des ailettes.

NOTE est extrêmement important de ne pas éclabousser les parties électriques ou électroniques de l'appareil. Toutes ces pièces doivent être recouvertes pour les mettre à l'abri de l'eau.

Panneau de façade

Pour nettoyer le panneau de commande, utilisez un chiffon humide (et non trempé) afin d'éviter toute infiltration d'eau dans l'appareil, ce qui endommagerait l'équipement électronique.

Pour nettoyer le reste du panneau de façade et le boîtier, vous pouvez utiliser de l'eau tiède et un savon liquide doux. N'employez JAMAIS de solvants ou de produits à base d'hydrocarbures tels que l'acétone, le naphte, l'essence, le benzène, etc.

Le serpentin intérieur peut être nettoyé avec un aspirateur muni d'une petite brosse. NE PAS DÉFORMER LES AILETTES. Le serpentin extérieur peut être aspergé délicatement avec un tuyau d'arrosage si vous pouvez l'atteindre. Sinon vous pouvez faire appel à votre fournisseur pour effectuer un nettoyage plus approfondi.

Vérifiez le filtre à air chaque semaine et nettoyez-le si nécessaire avec un aspirateur muni d'une petite brosse ou en le lavant dans un évier avec de l'eau tiède et un savon doux. Faites-le sécher avant de le remettre en place. Attention ! La surface du serpentin peut être coupante.

Moteur du ventilateur et compresseur

Le moteur du ventilateur et le compresseur sont lubrifiés à vie et ne nécessitent aucune lubrification supplémentaire.

Manchon mural

Inspectez 1 ou 2 fois par an l'intérieur du manchon et du système de drainage et nettoyez au besoin. Dans des conditions extrêmes, un nettoyage plus fréquent pourrait s'avérer nécessaire. Nettoyez ces deux éléments avec un produit antibactérien et antifongique. Rincez soigneusement à l'eau et vérifiez l'efficacité du drainage. Inspectez le calfeutrage autour du manchon et faites les corrections nécessaires.

Dépannage et assistance

Avant de placer un appel de service, vous pouvez effectuer vous-même un diagnostic (voir pages 40 et 41). Cette précaution pourrait vous permettre de trouver une solution à votre problème et vous éviter des frais de dépannage si ce problème ne provient pas de l'appareil lui-même.

Après avoir suivi les étapes du diagnostic, si vous ne pouvez résoudre le problème, veuillez visiter notre site internet www.friedrich.com qui vous permettra de localiser le fournisseur de services agréé le plus proche.

Si vous avez besoin d'assistance

Vous pouvez rejoindre notre service à la clientèle au 1-800-541-6645. Avant d'effectuer votre appel, assurez-vous d'avoir à portée de main le nom du modèle, le numéro de série et la date d'achat de votre appareil. Ces informations nous permettront de vous apporter une aide efficace.

Nos spécialistes peuvent vous renseigner sur :

- Les caractéristiques et les fonctions de votre appareil.
- Les adresses des revendeurs et des distributeurs.
- L'utilisation adéquate de votre appareil.
- Les méthodes d'entretien recommandées.
- L'installation de l'équipement.
- Les adresses des fournisseurs de pièces et de services agréés.

Accessoires disponibles

Ensemble de drain DC-2 – Numéro de pièce 01900235

Dans certaines installations, l'excès de condensats par temps très humide peut entraîner des écoulements d'eau indésirables sur une terrasse ou au-dessus d'une porte d'entrée. Vous pouvez installer l'ensemble de drain DC-2 (Numéro de pièce 01900235) pour détourner l'évacuation des condensats.

Estuche de filtro de carbón

Les modèles varient selon le format du boîtier (petit, moyen, grand).

Chaque ensemble contient 3 filtres.

WCFS – Filtres au charbon petit format.

WCFM – Filtres au charbon moyen format.

WCFL – Filtres au charbon grand format.

Thermostats muraux

RT4 – Thermostat numérique relié par fils, avec ventilation une vitesse.

RT5 – Thermostat numérique relié par fils, avec ventilation deux vitesses, pile de secours et affichage rétro-éclairé.

Ensembles d'installation pour fenêtre (de série sur les modèles Kühl sans chauffage)

KWIKS – Pour tous les modèles ES et YS.

KWIKM – Pour tous les modèles EM et YM.

KWIKL – Pour tous les modèles EL et YL.

Pour d'autres accessoires compatibles avec votre appareil, visitez notre site internet www.friedrich.com.

Diagnostic de dépannage

PROBLÈME	CAUSE	SOLUTION
L'appareil ne fonctionne pas	<ul style="list-style-type: none"> Appareil éteint ou aucune demande au thermostat. 	<ul style="list-style-type: none"> Allumer l'appareil et élever le réglage de température (au besoin) afin de créer une demande.
	<ul style="list-style-type: none"> Cordon d'alimentation débranché. 	<ul style="list-style-type: none"> Brancher l'appareil sur une prise murale avec mise à la terre. Pour déterminer le type de prise voir le tableau des caractéristiques électriques, page 6.
	<ul style="list-style-type: none"> Protection du cordon d'alimentation déclenchée (bouton relevé). 	<ul style="list-style-type: none"> Pour remettre en marche, enfoncer le bouton RESET (le bouton s'enclenche avec un déclic)
	<ul style="list-style-type: none"> Disjoncteur d'alimentation déclenché ou fusible grillé. 	<ul style="list-style-type: none"> Réenclencher le disjoncteur ou remplacer le fusible selon le cas. Si le problème persiste, faire appel à un électricien professionnel.
	<ul style="list-style-type: none"> Panne de courant locale. 	<ul style="list-style-type: none"> L'appareil se remettra en fonction lorsque le courant sera rétabli.
Déclenchements du disjoncteur ou grillages du fusible.	<ul style="list-style-type: none"> D'autres appareils sont branchés sur le même circuit. 	<ul style="list-style-type: none"> L'appareil nécessite un circuit exclusif et non partagé avec d'autres appareils.
	<ul style="list-style-type: none"> Vous utilisez un cordon de rallonge. 	<ul style="list-style-type: none"> Ne JAMAIS utiliser un cordon de rallonge avec un climatiseur.
	<ul style="list-style-type: none"> Puissance incorrecte du disjoncteur ou du fusible à retardement. 	<ul style="list-style-type: none"> Remplacer par un disjoncteur ou un fusible à retardement de la puissance adéquate. Voir le tableau des caractéristiques électriques en page 6. Si le problème persiste, faire appel à un électricien professionnel.
Déclenchements de la protection du cordon d'alimentation (bouton relevé).	<ul style="list-style-type: none"> Déclenchement de la protection du cordon d'alimentation (bouton relevé) en raison de l'instabilité du courant. 	<ul style="list-style-type: none"> Pour remettre en marche, enfoncer le bouton RESET (le bouton s'enclenche avec un déclic).
	<ul style="list-style-type: none"> Déclenchement de la protection du cordon d'alimentation (bouton relevé) par suite d'une surcharge électrique, d'une surchauffe ou d'une torsion du cordon. 	<ul style="list-style-type: none"> Lorsque le problème a été identifié et corrigé, enfoncer le bouton RESET (le bouton s'enclenche avec un déclic) pour remettre l'appareil en fonction.
	<p>NOTE : Si le cordon d'alimentation est endommagé, vous ne devez pas le réparer mais le remplacer par un cordon neuf fourni par le fabricant de l'appareil.</p>	
L'appareil ne refroidit pas ou ne réchauffe pas suffisamment la pièce, ou bien démarre et s'arrête trop fréquemment.	<ul style="list-style-type: none"> La grille d'air repris/fourni est obstruée. 	<ul style="list-style-type: none"> S'assurer que la circulation d'air repris et/ou d'air fourni n'est pas entravée par des rideaux, des stores, du mobilier, etc.
	<ul style="list-style-type: none"> Des fenêtres ou une porte donnant sur l'extérieur sont ouvertes. 	<ul style="list-style-type: none"> Fermer les fenêtres ainsi que les portes donnant sur l'extérieur.
	<ul style="list-style-type: none"> La température de climatisation ou de chauffage n'est pas réglée assez bas ou assez haut respectivement. 	<ul style="list-style-type: none"> Élever ou abaisser le réglage de température selon le cas.
	<ul style="list-style-type: none"> Filtre encrassé ou obstrué. 	<ul style="list-style-type: none"> Nettoyer le filtre (voir Entretien périodique) ou éliminer l'obstruction.
	<ul style="list-style-type: none"> Serpentin intérieur ou extérieur encrassé ou obstrué. 	<ul style="list-style-type: none"> Nettoyer les serpentins (voir Entretien périodique) ou éliminer l'obstruction.
	<ul style="list-style-type: none"> Chaleur ou humidité excessive dans la pièce (travaux de cuisson, douche, etc.) 	<ul style="list-style-type: none"> Utiliser un ventilateur d'extraction pendant les travaux de cuisson, le bain ou la douche et, si possible, ne pas utiliser d'appareils produisant de la chaleur durant la période la plus chaude de la journée.
	<ul style="list-style-type: none"> Température excessivement élevée dans la pièce à climatiser. 	<ul style="list-style-type: none"> Prévoir davantage de temps pour rafraîchir la pièce lorsqu'il y fait très chaud.

Diagnostic de dépannage (suite)

PROBLÈME	CAUSE	SOLUTION
L'appareil ne refroidit pas ou ne réchauffe pas suffisamment la pièce, ou bien démarre et s'arrête trop fréquemment (suite).	<ul style="list-style-type: none"> La température extérieure est inférieure à 16 °C (60 °F). 	<ul style="list-style-type: none"> Ne pas faire fonctionner l'appareil en mode climatisation lorsque la température extérieure est inférieure à 16 °C (60 °F). La climatisation ne s'opérera pas correctement et cela pourrait endommager l'appareil.
	<ul style="list-style-type: none"> L'appareil est réglé sur la ventilation intermittente. 	<ul style="list-style-type: none"> À ce réglage, la distribution de l'air n'est pas uniforme et l'air chaud (ou froid) stagne dans certains endroits de la pièce. Il est conseillé d'utiliser la ventilation continue pour obtenir un confort optimum.
	<ul style="list-style-type: none"> L'appareil n'a pas suffisamment de puissance pour compenser les gains de chaleur de la pièce. 	<ul style="list-style-type: none"> S'assurer que la puissance frigorifique de l'appareil est suffisante pour la pièce dans laquelle il est installé. Les climatiseurs individuels ne sont pas conçus pour refroidir plusieurs pièces.
	<ul style="list-style-type: none"> L'appareil n'a pas suffisamment de puissance pour compenser les pertes de chaleur de la pièce. 	<ul style="list-style-type: none"> Vérifier la puissance de chauffage de l'appareil. Le climatiseur doit être dimensionné en fonction de la charge de refroidissement, puis la puissance de chauffage est sélectionnée en fonction de la charge de chauffage. Dans les régions du grand nord, un climatiseur individuel ne pourra probablement pas être utilisé en tant que source de chauffage principale.
L'appareil fonctionne trop longtemps.	<ul style="list-style-type: none"> Ceci peut être attribué à une charge calorifique trop importante. 	<ul style="list-style-type: none"> Si des appareils dans la pièce produisent de la chaleur ou si de nombreuses personnes occupent la pièce, le climatiseur devra fonctionner plus longtemps pour éliminer la chaleur.
	<ul style="list-style-type: none"> Le dimensionnement de l'appareil pourrait être erroné. 	<ul style="list-style-type: none"> Utiliser un ventilateur d'extraction pendant les travaux de cuisson, le bain ou la douche et, si possible, ne pas utiliser d'appareils produisant de la chaleur durant la période la plus chaude de la journée.
	<ul style="list-style-type: none"> Ceci peut être normal avec un climatiseur d'un rendement énergétique (EER) supérieur. 	<ul style="list-style-type: none"> L'efficacité supérieure de certains éléments de votre nouveau climatiseur peut impliquer des cycles de fonctionnement plus longs. La différence vous paraîtra plus évidente si cet appareil remplace un ancien modèle moins efficace. Toutefois, la consommation d'énergie sera nettement moins importante que celle d'un ancien modèle.
	<ul style="list-style-type: none"> L'air distribué par votre climatiseur peut vous sembler moins froid qu'avec votre ancien modèle. Toutefois, cela ne signifie pas que la puissance de refroidissement de l'appareil soit moins importante. 	<ul style="list-style-type: none"> Le rendement énergétique (EER) et la puissance de refroidissement nominale (Btu/h) qui figurent sur la plaque signalétique de l'appareil ont été homologués par les organismes officiels.

Annexe 1

Tableau de programmation en mode économie d'énergie

Cool, Heat, Auto, Fan Only, Skip, OFF											
Jour	Séquence	Défaut panneau commande	Défaut thermostat	Mode par défaut	Mode ventilation	Vitesse ventilation	Point de consigne climatis. (SSPC)	Point de consigne chauffage (SSPH)	Auto point de consigne climatis. (SASPC)	Auto point de consigne chauffage (SASPH)	Heure
Lundi	Réveil	ON	OFF	Cool	Auto	Basse	78	70	78	70	6h00
Lundi	Absence	ON	OFF	Cool	Auto	Basse	85	62	85	62	8h00
Lundi	Retour	ON	OFF	Cool	Auto	Basse	78	70	78	70	18h00
Lundi	Nuit	ON	OFF	Cool	Auto	Basse	82	62	82	62	22h00
Mardi	Réveil	ON	OFF	Cool	Auto	Basse	78	70	78	70	6h00
Mardi	Absence	ON	OFF	Cool	Auto	Basse	85	62	85	62	8h00
Mardi	Retour	ON	OFF	Cool	Auto	Basse	78	70	78	70	18h00
Mardi	Nuit	ON	OFF	Cool	Auto	Basse	82	62	82	62	22h00
Mercredi	Réveil	ON	OFF	Cool	Auto	Basse	78	70	78	70	6h00
Mercredi	Absence	ON	OFF	Cool	Auto	Basse	85	62	85	62	8h00
Mercredi	Retour	ON	OFF	Cool	Auto	Basse	78	70	78	70	18h00
Mercredi	Nuit	ON	OFF	Cool	Auto	Basse	82	62	82	62	22h00
Jeudi	Réveil	ON	OFF	Cool	Auto	Basse	78	70	78	70	6h00
Jeudi	Absence	ON	OFF	Cool	Auto	Basse	85	62	85	62	8h00
Jeudi	Retour	ON	OFF	Cool	Auto	Basse	78	70	78	70	18h00
Jeudi	Nuit	ON	OFF	Cool	Auto	Basse	82	62	82	62	22h00
Vendredi	Réveil	ON	OFF	Cool	Auto	Basse	78	70	78	70	6h00
Vendredi	Absence	ON	OFF	Cool	Auto	Basse	85	62	85	62	8h00
Vendredi	Retour	ON	OFF	Cool	Auto	Basse	78	70	78	70	18h00
Vendredi	Nuit	ON	OFF	Cool	Auto	Basse	82	62	82	62	22h00
Samedi	Réveil	ON	OFF	Cool	Auto	Basse	78	70	78	70	6h00
Samedi	Absence	ON	OFF	Cool	Auto	Basse	85	62	85	62	8h00
Samedi	Retour	ON	OFF	Cool	Auto	Basse	78	70	78	70	18h00
Samedi	Nuit	ON	OFF	Cool	Auto	Basse	82	62	82	62	22h00
Jour	Réveil	ON	OFF	Cool	Auto	Basse	78	70	78	70	6h00
Jour	Absence	ON	OFF	Cool	Auto	Basse	85	62	85	62	8h00
Jour	Retour	ON	OFF	Cool	Auto	Basse	78	70	78	70	18h00
Jour	Nuit	ON	OFF	Cool	Auto	Basse	82	62	82	62	22h00



F R I E D R I C H

Friedrich Air Conditioning Company
10001 Reunion Place, Suite 500
San Antonio, Tx 78216
1-800-541-6645
www.friedrich.com

GARANTIE LIMITÉE **CLIMATISEURS INDIVIDUELS** **PREMIÈRE ANNÉE**

TOUTES LES PIÈCES - Si, dans les 12 mois suivant la date d'achat initial, une pièce fournie par FRIEDRICH devenait défectueuse en raison d'un défaut de fabrication ou de matériau, FRIEDRICH réparera le produit gratuitement, dans la mesure où le climatiseur est raisonnablement accessible pour la réparation. Tous les frais de main d'oeuvre additionnels pour la dépose d'un appareil difficilement accessible et/ou les frais de déplacement (kilométrage) encourus par le réparateur, au delà de 40 km (25 miles) dans une seule direction, sont la responsabilité du propriétaire. Cette compensation est reconnue comme étant la seule compensation offerte dans les 12 mois qui suivent la date d'achat initial.

DEUXIÈME À CINQUIÈME ANNÉE

SYSTÈME FRIGORIFIQUE HERMÉTIQUE - Si le système frigorifique hermétique (comprenant, aux termes de cette garantie, le compresseur, le serpentin de condenseur, le serpentin d'évaporateur, le robinet d'inversion, le clapet anti-retour, le tube capillaire, le déshydrateur-filtre et toute la tuyauterie interconnectée) intégré par FRIEDRICH à votre climatiseur devenait défectueux en raison d'un défaut de fabrication ou de matériau dans les 60 mois à compter de la date d'achat initial, FRIEDRICH allouera un dédommagement pour les frais de main d'oeuvre et les pièces nécessaires à la réparation du système frigorifique hermétique. FRIEDRICH ne prendra pas en charge les frais de diagnostic, de dépose et de transport du climatiseur jusqu'au centre de réparation et retour, ni les frais de réinstallation consécutifs à la réparation. Tous ces frais sont à la charge du propriétaire. Ce dédommagement est reconnu comme étant la seule compensation offerte dans les 60 mois qui suivent la date d'achat initial.

CONDITIONS D'APPLICATION ET RESTRICTIONS - Cette garantie s'applique exclusivement aux appareils vendus au détail aux États-Unis, dans le District de Columbia et au Canada. Cette garantie ne s'applique pas :

1. Aux filtres à air ni aux fusibles ;
2. Aux produits dont le numéro de modèle et le numéro de série ont été enlevés ;
3. Aux produits dont la défaillance ou les dommages résultent d'une mauvaise installation, d'un mauvais câblage, d'une tension d'alimentation inadaptée ou d'un mauvais entretien; ni lorsqu'ils sont causés par un accident, une utilisation erronée ou abusive, un incendie, une inondation, une modification et/ou une erreur d'application du produit. La garantie ne s'applique pas non plus aux appareils installés dans une atmosphère corrosive, ni aux problèmes ou délais d'utilisation résultant d'actes de guerre, de restrictions ou de contraintes gouvernementales, de grèves, de pénuries de matériau indépendantes du contrôle de FRIEDRICH, ou de catastrophes naturelles.

EXÉCUTION DE LA GARANTIE - Les réparations seront effectuées par un revendeur ou un centre de réparation agréés par FRIEDRICH et situés dans votre région. Leurs coordonnées se trouvent dans les Pages Jaunes. Si vous avez besoin d'assistance pour obtenir une réparation sous garantie, écrivez à Room Air Conditioner Service Manager, Friedrich Air Conditioning Co., P.O. Box 1540, San Antonio, Texas 78216-1540.

EXCLUSIONS - CETTE GARANTIE EST OFFERTE À L'EXCLUSION DE TOUTE AUTRE GARANTIE. Nonobstant les clauses cette garantie, TOUTE GARANTIE IMPLICITE DE CONFORMITÉ POUR UN USAGE PARTICULIER ET/OU DE QUALITÉ MARCHANDE SERA LIMITÉE À LA DURÉE DE LA PRÉSENTE GARANTIE EXPRESSE. LE FABRICANT DÉCLINE ET EXCLUT FORMELLEMENT TOUTE RESPONSABILITÉ POUR LES DOMMAGES ET PRÉJUDICES INDIRECTS RELATIFS À L'INEXÉCUTION DE TOUTE GARANTIE EXPRESSE OU IMPLICITE.

REMARQUE - Certaines provinces n'autorisent pas de restriction sur la durée d'une garantie implicite ou n'autorisent pas de restriction ni d'exclusion des dommages ou préjudices indirects. Il est donc possible que ces exclusions et restrictions ne s'appliquent pas à vous.

AUTRE - Cette garantie vous accorde des recours légaux spécifiques mais il est possible que vous bénéficiiez d'autres droits selon votre province.

PREUVE D'ACHAT - Pour bénéficier des services offerts par la présente garantie, l'acquéreur devra fournir une preuve d'achat.

Tous les appels de service relatifs au fonctionnement de ce produit sont à la charge du consommateur.

Toute réparation sous garantie doit être effectuée par un centre de service agréé par FRIEDRICH, sauf autorisation expresse de FRIEDRICH au préalable.



F R I E D R I C H

FRIEDRICH AIR CONDITIONING CO.

10001 Reunion Place, Suite 500

San Antonio, Tx 78216

1-800-541-6645

www.friedrich.com

Free Manuals Download Website

<http://myh66.com>

<http://usermanuals.us>

<http://www.somanuals.com>

<http://www.4manuals.cc>

<http://www.manual-lib.com>

<http://www.404manual.com>

<http://www.luxmanual.com>

<http://aubethermostatmanual.com>

Golf course search by state

<http://golfingnear.com>

Email search by domain

<http://emailbydomain.com>

Auto manuals search

<http://auto.somanuals.com>

TV manuals search

<http://tv.somanuals.com>