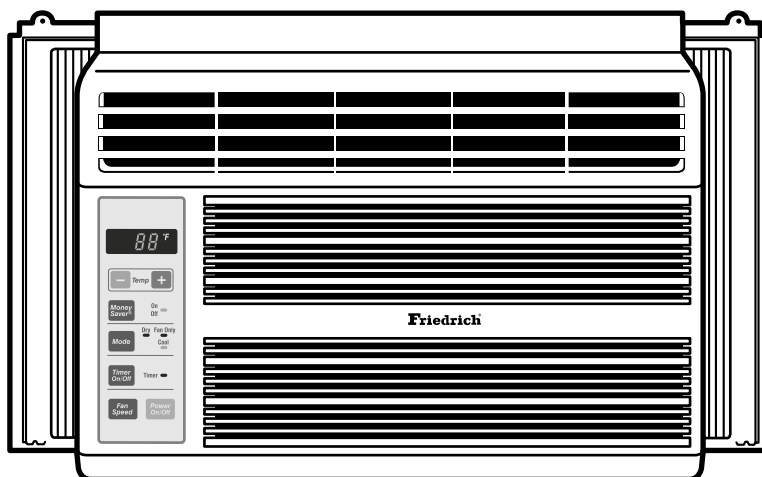


# Friedrich®

## Room Air Conditioner Service and Parts Manual



### KP Line

115Volts • KP05A10 KP06A10

# CONTENTS

<b>1. PREFACE</b> .....	3
1.1 FEATURES.....	3
1.2 SPECIFICATIONS .....	3
1.3 LOCATIONS OF CONTROLS .....	4
1.4 SAFETY PRECAUTIONS .....	4
1.5 INSULATION RESISTANCE TEST .....	4
<b>2. DISASSEMBLY INSTRUCTIONS</b> .....	5
2.1 MECHANICAL PARTS .....	5
2.1.1 FRONT GRILLE .....	5
2.1.2 CABINET.....	5
2.1.3 CONTROL BOARD.....	5
2.2 AIR HANDLING PARTS .....	6
2.2.1 AIR GUIDE UPPER .....	6
2.2.2 ORIFICE, TURBO FAN AND FAN .....	6
2.2.3 MOTOR .....	7
2.2.4 AIR GUIDE.....	7
2.3 ELECTRICAL PARTS .....	7
2.3.1 OVERLOAD PROTECTOR .....	7
2.3.2 COMPRESSOR .....	8
2.3.3 CAPACITOR .....	8
2.3.4 THERMOSTAT .....	8
2.3.5 ROTARY SWITCH.....	8
2.3.6 POWER CORD .....	9
2.4 REFRIGERANT CYCLE .....	9
2.4.1 CONDENSER .....	9
2.4.2 EVAPORATOR .....	10
2.4.3 CAPILLARY TUBE .....	10
<b>3. INSTALLATION</b> .....	12
3.1 SELECT THE BEST LOCATION .....	12
3.2 HOW TO INSTALL .....	12
3.3 ELECTRICAL DATA .....	15
<b>4. TROUBLESHOOTING GUIDE</b> .....	15
4.1 OUTSIDE DIMENSIONS.....	15
4.2 PIPING SYSTEM .....	16
4.3 TROUBLESHOOTING GUIDE .....	17
<b>5. CIRCUIT DIAGRAM</b> .....	22
<b>6. EXPLODED VIEW</b> .....	23
<b>7. SERVICE PARTS LIST</b> .....	24

# 1. PREFACE

This service manual provides various service information, including the mechanical and electrical parts, etc. This room air conditioner was manufactured and assembled under a strict quality control system. The refrigerant is charged at the factory. Be sure to read the safety precautions prior to servicing the unit.

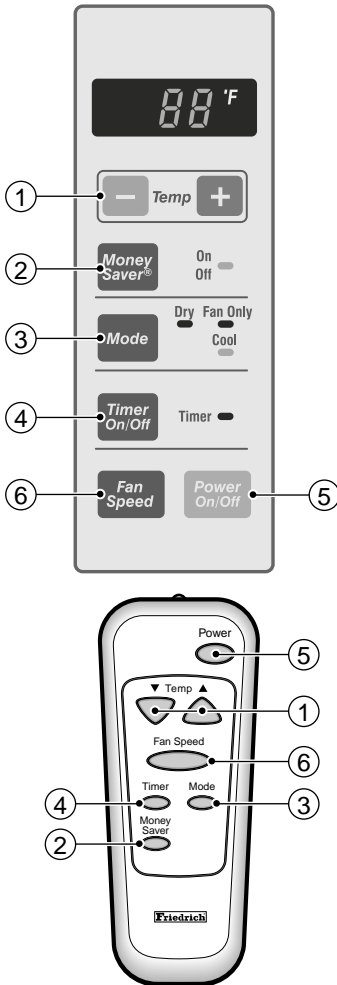
## 1.1 FEATURES

- DESIGNED FOR COOLING ONLY
- POWERFUL AND INCREDIBLE COOLING
- TOP-DOWN CHASSIS FOR THE SIMPLE INSTALLATION AND SERVICE
- BUILT-IN ADJUSTABLE THERMOSTAT
- WASHABLE ONE-TOUCH FILTER
- COMPACT SIZE

## 1.2 SPECIFICATIONS

ITEMS \ MODELS	KP05A10	KP06A10
COOLING CAPACITY (BTU/h)	5,100	5,700
POWER SUPPLY (Phase, V, Hz)	1ø, 115V, 60HZ	
INPUT (W)	470	530
OPERATING CURRENT (AMP.)	4.4	4.8
REFRIGERANT CONTROL	CAPILLARY TUBE	
REFRIGERANT CHARGE (R-22)	330g (11.6 oz)	365g (12.9 oz)
INSIDE FAN	TURBO FAN	
OUTSIDE FAN	PROPELLER FAN WITH SLINGER RING	
AIR DISCHARGE	2-WAY (RIGHT AND LEFT)	
CHASSIS	TOP-DOWN	
PROTECTOR	<ul style="list-style-type: none"> <li>• OVERLOAD PROTECTOR FOR COMPRESSOR</li> <li>• INTERNAL PROTECTOR FOR FAN MOTOR</li> </ul>	
TEMPERATURE CONTROL	THERMISTOR	
FAN MOTOR	6 POLES, 21W	6 POLES, 27W

## 1.3 LOCATIONS OF CONTROLS



### ① TEMPERATURE SETTING

- These buttons control the temperature of the room.  
The temperature can be set within a range of 60°F to 86°F, in increments of 1°F.

### ② MONEY SAVER

- The fan stops when the compressor stops cooling.
- Approximately every 3 minutes the fan will turn on and sample the room air to determine if more cooling is needed.

### ③ OPERATION MODE SELECTOR

- Everytime you push this button, it will rotate between the COOL, FAN and DRY modes.

### ④ ON/OFF TIMER

**ON**—When the air conditioner is off, it can be set to automatically come on in 1 to 12 hours from its previous setting. Each touch will increase the timer by 1 hour.

**OFF**—When the air conditioner is on, it can be set to automatically turn off in 1 to 12 hours. Each touch will increase the timer by 1 hour. After the timer has been on for 30 minutes, the temperature will automatically rise 2°F, and after another 30 minutes, it will automatically rise 2°F again. The temperature will then stay the same until the timer goes OFF.

**To cancel the timer**, press the TIMER pad until the display time disappears.

### ⑤ POWER

- To turn the unit ON, push the button. To turn the unit OFF, push the button again.
- This button takes priority over any other buttons.
- When you first turn it on, the unit is on the High cool mode and the temp. at 72°F

### ⑥ FAN SPEED

- Everytime you push this button it will rotate between the following fan speeds:  
High (F3) → Low(F1) → Medium (F2) → High (F3)

## How to Insert Batteries

1. Remove the cover from the back of the remote controller
2. Insert two batteries.
  - Be sure that the (+) and (-) directions are correct.
  - Be sure that both batteries are new.
3. Re-attach the cover.



- Do not use rechargeable batteries. Such batteries differ from standard dry cells in shape, dimensions, and performance.
- Remove the batteries from the remote controller if the air conditioner is not going to be used for an extended length of time.

## 1.4 SAFETY PRECAUTIONS

1. When servicing, set the ROTARY SWITCH to Off and unplug the power cord.
2. Observe the original lead dress.  
If a short circuit is found, replace all parts which have been overheated or damaged by the short circuit.
3. After servicing, make an insulation resistance test to prevent the customer from being exposed to shock hazards.

## 1.5 INSULATION RESISTANCE TEST

1. Unplug the power cord and connect a jumper between 2 pins (black and white).
2. The grounding conductor (green or green and yellow) is to be open.
3. Measure the resistance value with an ohm meter between the jumpered lead and each exposed metallic part on the equipment at all position [except Off] of the ROTARY SWITCH.
4. The value should be over 1 MΩ.

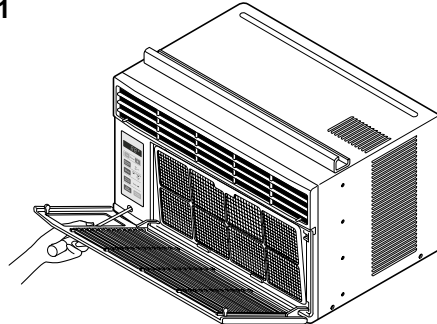
## 2. DISASSEMBLY INSTRUCTIONS

### 2.1 MECHANICAL PARTS

#### 2.1.1 FRONT GRILLE

1. Pull the inlet grille forward.
2. Remove the screw securing the Front Grille. (Fig. 3)
3. Push the grille up from the bottom and pull the top of the grille away from the case to lift the top tabs out of their slots. (Fig. 4)
4. Carefully position the grille, bottom first, and snap back into place.
5. Re-position the screw that secures the front grille and replace the knobs.

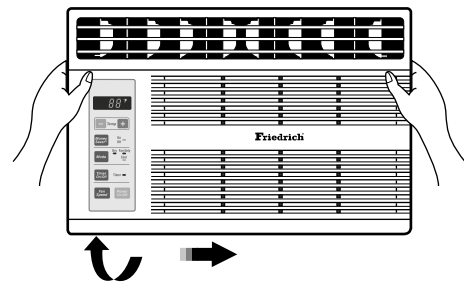
Figure 1



#### 2.1.2 CABINET

1. Disconnect the unit from the power source.
2. Remove the front grille. (Refer to section 2.1.1)
3. Remove 9 screws that secure the cabinet to the base pan and condenser. (See Figure 3)
4. Lift the cabinet from the unit.
5. Re-install by referring to the procedures above.

Figure 2



#### 2.1.3 CONTROL BOARD

1. Disconnect the unit from the power source.
2. Remove the front grille. (Refer to Section 2.1.1)
3. Remove the cabinet. (Refer to Section 2.1.2)
4. Remove 1 screws that secure the control board to base pan and air guide. (See Figure 4)
5. Pull the control board toward yourself.

Figure 3

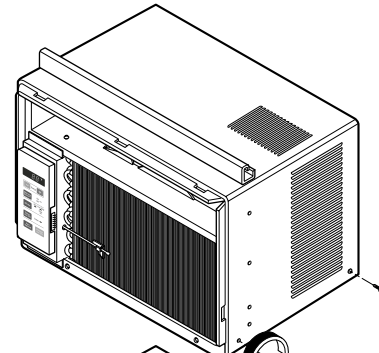


Figure 4

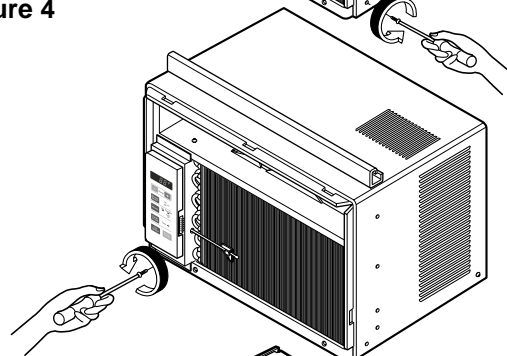
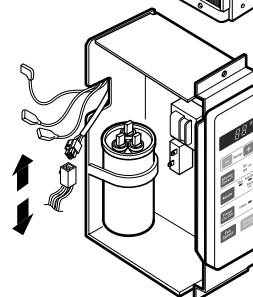


Figure 5



**NOTE :** Controls, wires, and capacitor are now accessible for servicing. Discharge the capacitor before servicing. See step 2.3.3 on page 8 for procedures.

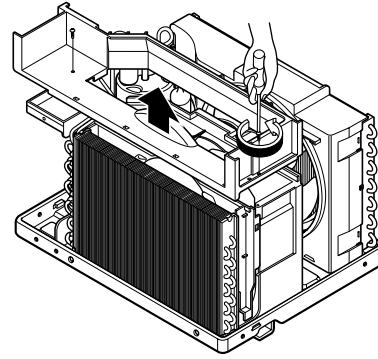
6. Disconnect one housing terminal and 3 wires for the fan motor and compressor. (See Figure 5)
7. Re-install components by referring to procedures above. (Refer to wiring diagram on page 23 in this manual or inside control board.)

## 2.2 AIR HANDLING PARTS

### 2.2.1 AIR GUIDE UPPER

1. Disconnect the unit from the power source.
2. Remove the front grille. (Refer to Section 2.1.1)
3. Remove the cabinet. (Refer to Section 2.1.2)
4. Remove the control board.  
(Refer to Section 2.1.3)
5. Remove 2 screws that secure the air guide upper to air guide lower. (See Figure 6)
6. Lift air guide upper upward.
7. Re-install by referring to the procedures above.

Figure 6



### 2.2.2 ORIFICE, TURBO FAN AND FAN

1. Disconnect the unit from the power source.
2. Remove the front grille. (Refer to Section 2.1.1)
3. Remove the cabinet. (Refer to Section 2.1.2)
4. Remove the control board.  
(Refer to Section 2.1.3)
5. Remove the air guide upper.  
(Refer to Section 2.2.1)
6. Remove 2 screws that secure the base pan to condenser. (See Figure 7)
7. Remove screw that secures the shroud to channel of condenser.
8. Press the snap area of shroud with your thumbs. This allows you to remove it from the condenser.
9. Lift the compressor upward with the evaporator and condenser. (See Figure 7)
10. Remove the orifice by pushing the snap area of the air guide blower. (See Figure 8)
11. Remove the clamp springs which are clamped to the boss of fan and turbo fan by hand plier. (See Figure 9)
12. Pull the fan and turbo fan outward.
13. Remove the shroud.
14. Re-install by referring to the procedures above.

Figure 7

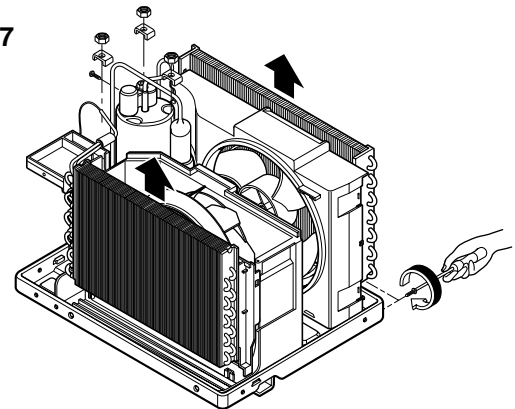


Figure 8

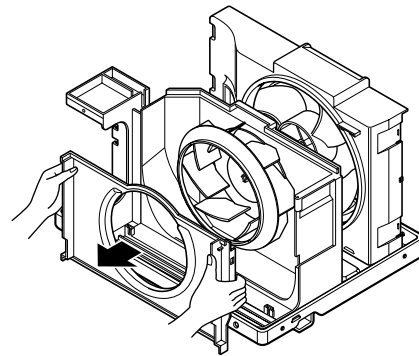
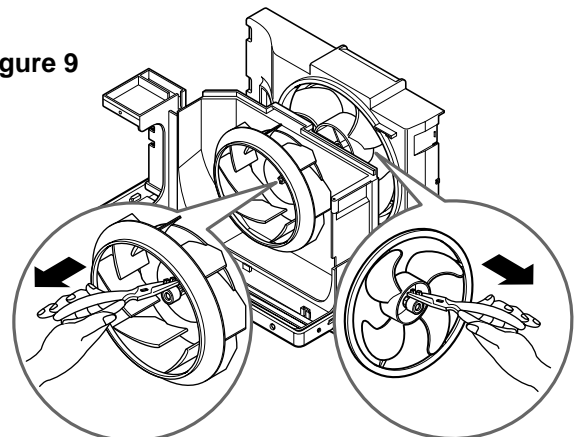


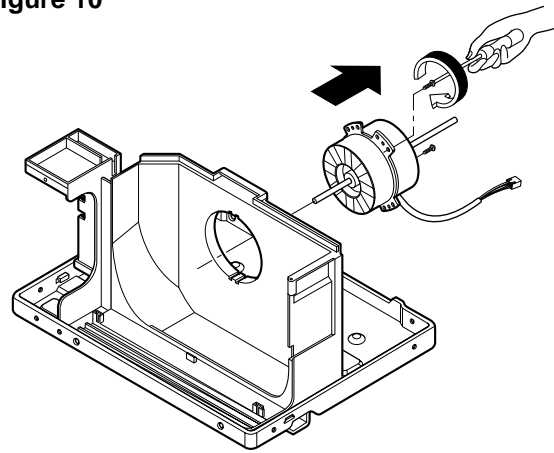
Figure 9



## 2.2.3 MOTOR

1. Disconnect the unit from the power source.
2. Remove the front grille. (Refer to Section 2.1.1)
3. Remove the cabinet. (Refer to Section 2.1.2)
4. Remove the control board.  
(Refer to Section 2.1.3)
5. Remove the air guide upper.  
(Refer to Section 2.2.1)
6. Remove the compressor, turbo fan, fan and shroud. (Refer to Section 2.2.2)
7. Remove 2 screws that secure the motor to the motor. (See Figure 10)
8. Remove the motor.
9. Re-install by referring to the procedures above.

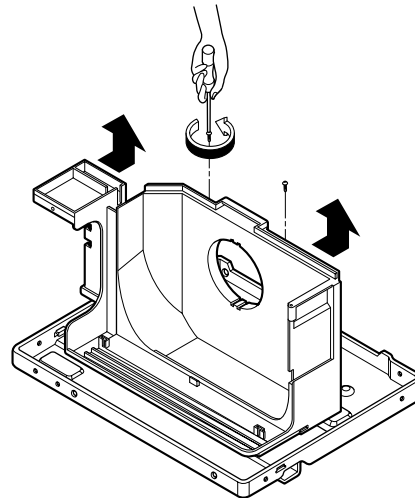
Figure 10



## 2.2.4 AIR GUIDE

1. Disconnect the unit from the power source.
2. Remove the front grille. (Refer to Section 2.1.1)
3. Remove the cabinet. (Refer to Section 2.1.2)
4. Remove the control board.  
(Refer to Section 2.1.3)
5. Remove the air guide upper.  
(Refer to Section 2.2.1)
6. Remove the compressor, turbo fan, fan and shroud. (Refer to Section 2.2.2)
7. Remove the motor. (Refer to Section 2.2.3)
8. Remove 2 screws that secure the air guide to the base pan. (See Figure 11)
9. Push the air guide backward and lift it upward.  
(See Figure 11)
10. Re-install by referring to the procedures above.

Figure 11



## 2.3 ELECTRICAL PARTS

### 2.3.1 OVERLOAD PROTECTOR

1. Remove the front grille and cabinet.  
(Refer to Section 2.1)
2. Remove the nut which fastens the terminal cover.
3. Remove the terminal cover.
4. Remove all the leads from the overload protector.
5. Remove the overload protector.
6. Re-install the components by referring to the removal procedure above.  
(See Figure 12 and 13)

Figure 12

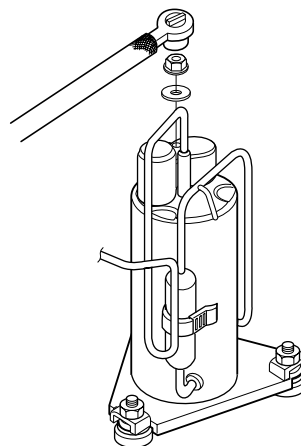
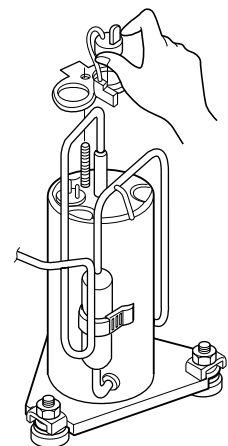


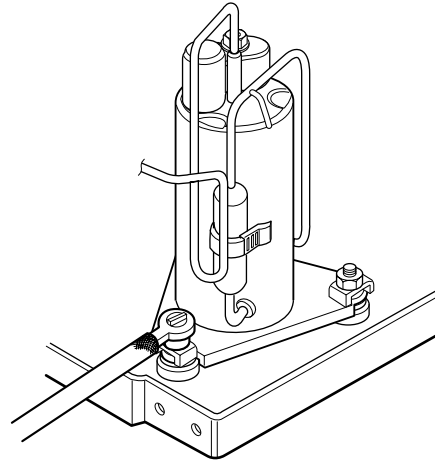
Figure 13



### 2.3.2 COMPRESSOR

1. Remove the front grille and cabinet.  
(Refer to Section 2.1)
2. Discharge the refrigerant by using a refrigerant recovery system.
3. Remove the overload protector.  
(Refer to Section 2.3.1)
4. After discharging the unit completely, unbrace the suction and discharge pipes at the compressor connections.
5. Remove 3 nuts which fasten the compressor.
6. Remove the compressor.
7. Re-install by referring to the removal procedure above. (See Figure 14)

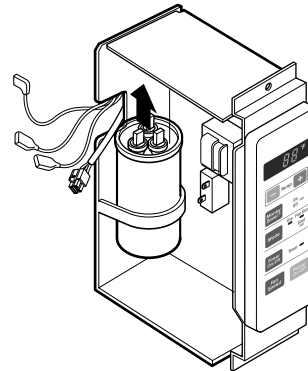
Figure 14



### 2.3.3 CAPACITOR

1. Remove the cabinet. (Refer to Section 2.1.2)
2. Remove the control board.  
(Refer to Section 2.1.3)
3. Discharge the capacitor by placing a 20 K $\Omega$  resistor across the capacitor terminals.
4. Remove the screw which fastens the capacitor clamp.
5. Remove all the leads of capacitor terminals.
6. Re-install the components by referring to the removal procedure above. (See Figure 15)

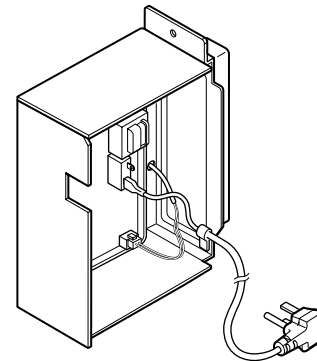
Figure 15



### 2.3.4 THERMISTOR

1. Remove the cabinet. (Refer to Section 2.1.2)
2. Remove the control board.  
(Refer to Section 2.1.3)
3. Disconnect the thermistor terminals from main P.W.B assembly.
4. Remove the thermistor.
5. Re-install the components by referring to the removal procedure above. (See Figure 16)

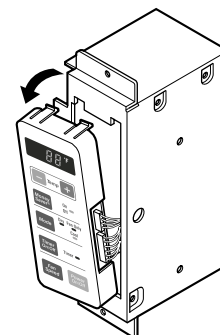
Figure 16



### 2.3.5 CONTROL PANEL

1. Remove the cabinet. (Refer to Section 2.1.2)
2. Remove the control board.  
(Refer to Section 2.1.3)
3. Pull the control panel forward and pull out it.
4. Remove 2 lead wire terminals.
5. Re-install the components by referring to the removal procedure above. (See Figure 17)

Figure 17

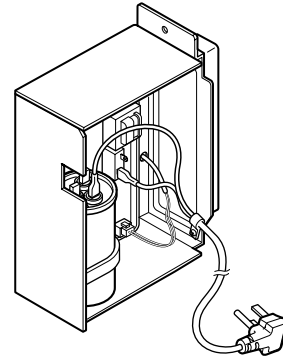




### 2.3.6 POWER CORD

1. Disconnect the unit from source of power.
2. Remove the front grille. (Refer to Section 2.1.1)
3. Remove the cabinet. (Refer to Section 2.1.2)
4. Remove a screw that secures control board to base pan. (Refer to Section 2.1.3)
5. Pulls the control board toward you.
6. Disconnect the 2 receptacles and remove the grounding screw.
7. Remove a screw securing the clip with cord to the control board.
8. Pull the power cord.
9. Re-install by referring to procedures above.

Figure 18

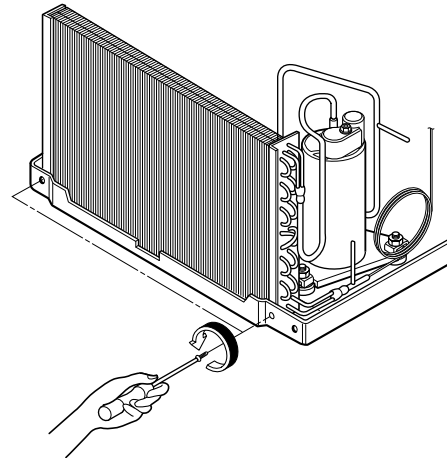


## 2.4 REFRIGERANT CYCLE

### 2.4.1 CONDENSER

1. Remove the cabinet. (Refer to Section 2.1.2)
2. Discharge the refrigerant by using a refrigerant recovery system.
3. Remove the air guide. (Refer to Section 2.2.1)
4. Remove 2 screws which fasten the condenser.
5. After discharging the refrigerant completely, unbraid the interconnecting tube at the condenser connections.
6. Remove the condenser.
7. Re-install by referring to the procedures above.

Figure 19



## 2.4.2 EVAPORATOR

1. Remove the cabinet.
2. Discharge the refrigerant by using a refrigerant recovery system.
3. Remove the air guide upper. (Refer to Section 2.2.1)
4. After discharging the refrigerant completely, unbrazed the interconnecting tube at the condenser connections.
5. Remove the evaporator.
6. Re-install by referring to the procedures above.

## 2.4.3 CAPILLARY TUBE

1. Remove the cabinet.
2. Discharge the refrigerant by using a refrigerant recovery system.
3. Remove the air guide upper. (Refer to Section 2.2.1)
4. After discharging the refrigerant completely, unbrazed the interconnecting tube of the capillary tube.
5. Remove the capillary tube.
6. Re-install by referring to the procedures above.

## NOTES

Replacement of the refrigeration cycle.

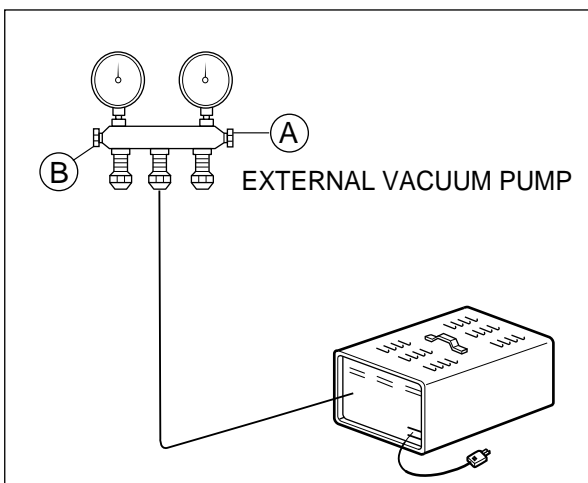
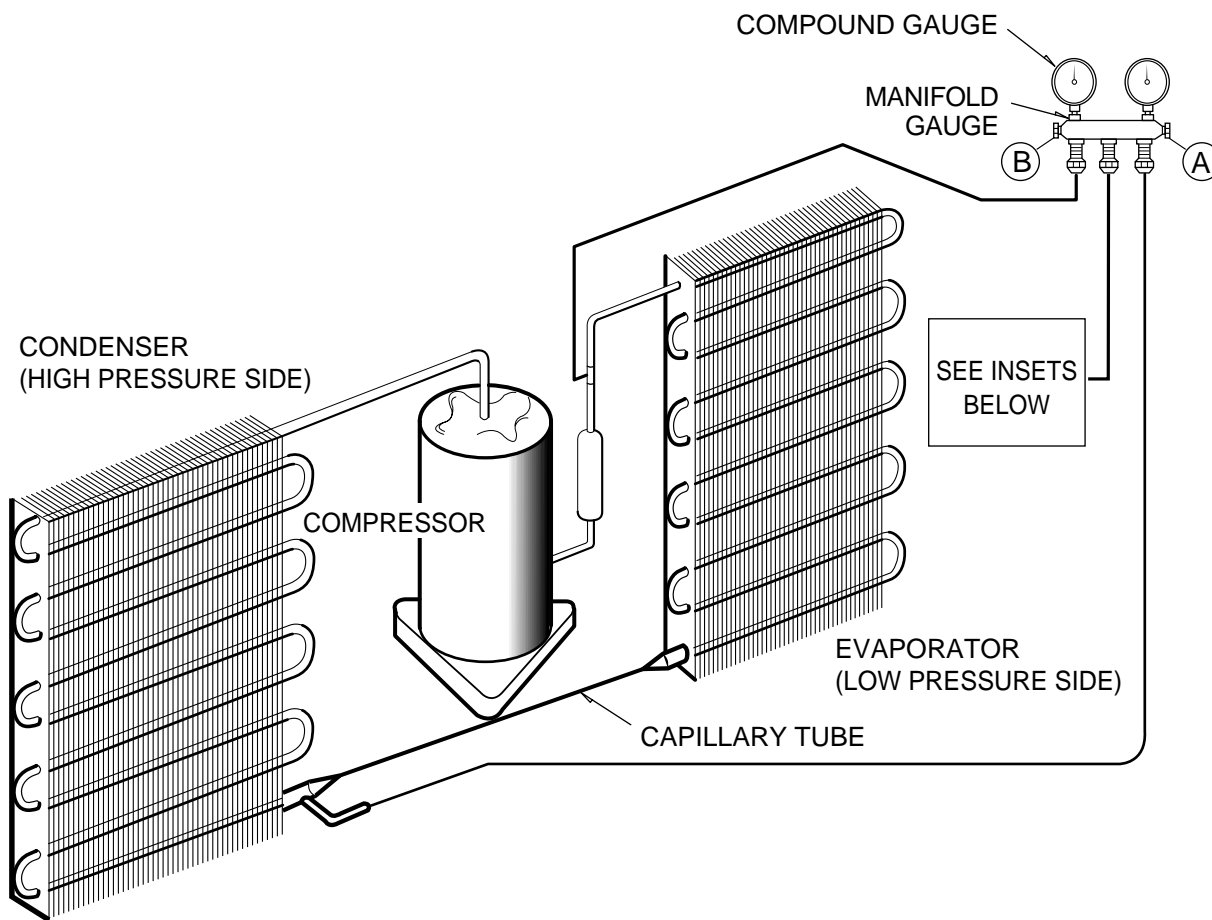
1. When replacing the refrigerating cycle, be sure to discharge the refrigerant by using a refrigerant recovery system.
2. After discharging the unit completely, remove the desired components, and unbrazed the pinch-off tubes.
3. Solder service valves into the pinch-off tube ports, leaving the valves open.
4. Solder the pinch-off tubes with service valves.
5. After completing the above procedures, the valve must be closed and left in place on the system for any subsequent procedures.
6. Evacuate as follows:
  - 6-1. Connect the vacuum pump, as illustrated in figure 21A.
  - 6-2. Start the vacuum pump. Slowly open manifold valves A and B with two full turns counter-clockwise and leave the valves closed. The vacuum pump is now pulling through valves A and B up to valve C by means of manifold and the entire system.

**CAUTION :** If high vacuum equipment is used, just crack valves A and B for a few minutes, then open slowly with the two full turns counter-clock-

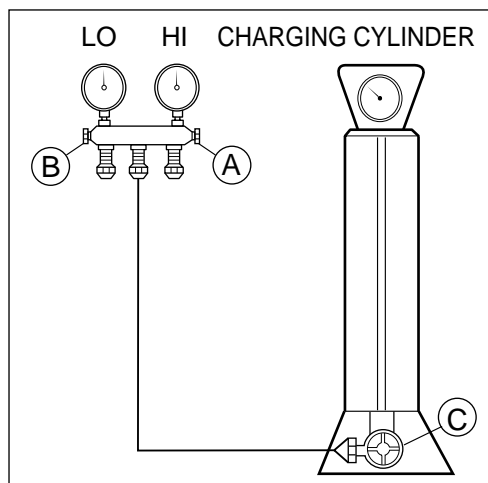
wise. This will keep oil from foaming and being drawn into the vacuum pump.

- 6-3. Operate the vacuum pump for 20 to 30 minutes, until 600 micron vacuum is obtained. Close valves A and B and observe vacuum gauge for a few minutes. A rise in pressure would indicate a possible leak or moisture remaining in the system. With valves A and B closed, stop the vacuum pump.
- 6-4. Remove the hose from the vacuum pump and place it on the charging cylinder. See figure 23B. Open valve C. Discharge the line at the manifold connection.
- 6-5. The system is now ready for final charging.
7. Recharge as follows:
  - 7-1. Rotary compressor systems are charged from the high-side. If the total charge cannot be put in the high-side, the balance will be put in the suction line through the access valve which is installed as the system is opened.
  - 7-2. Connect the charging cylinder as shown in figure 21B. With valve C open, discharge the hose at the manifold connection.
  - 7-3. Open valve A and allow the proper charge to enter the system. Valve B is still closed.
  - 7-4. If more charge is required, the high-side will not take it. Close valve A.
  - 7-5. With the unit running, open valve B and add the balance of the charge.
    - a. Do not add the liquid refrigerant to the low-side.
    - b. Watch the low-side gauge, allow pressure to rise to 30 lbs.
    - c. Turn off valve B and allow the pressure to drop.
    - d. Repeat steps B and C until the balance of the charge is in the system.
  - 7-6. When the unit is operating correctly, use the pinch-off tool with the unit still running and the clamp on the pinch-off tube. Using a tube cutter, cut the pinch-off tube about 2 inches from the pinch-off tool. Use sil-fos solder and solder the pinch-off tube closed. Turn off the unit, allow setting for a while and then test the leakage of the pinch-off connection.

**Equipment needed:** Vacuum pump, charging cylinder, manifold gauge, brazing equipment, pinch-off tool capable of making a vapor proof seal, leak detector, tubing cutter, hand tools to remove components and service valve.



**Figure 21A-Pulling Vacuum**



**Figure 21B-Charging**

# 3. INSTALLATION

This air conditioner is designed with a button-down chassis so it can be easily installed in a window.

## 3.1 SELECT THE BEST LOCATION

1. To prevent vibration and noise, make sure the unit is installed securely and firmly.
2. Install the unit where the sun does not shine directly on the unit.
3. The outside of the cabinet must extend outward for at least 10" and there should be no obstacles, such as a fence or wall, within 20" from the back of the cabinet because it will prevent heat radiation of the condenser. Restriction of outside air will greatly reduce the cooling efficiency of the air conditioner.

### CAUTION

All side louvers of the cabinet must remain exposed on the outside of the structure.

4. Install the unit slanted slightly so the back is slightly lower than the front (about 1/4"). This will force condensed water to the outside.
5. Install the unit with the bottom about 30"~60" above the floor level.

## 3.2 HOW TO INSTALL

### 3.2.1 WINDOW REQUIREMENTS

**NOTE:** All supporting parts should be secured to firm wood, masonry, or metal.

1. This unit is designed for installation in standard double hung windows with actual opening widths of 22" to 36". The upper and lower sash must open sufficiently to allow a clear vertical opening of 13" from the bottom of the sash to the window stool.
2. If storm window presents interference, fasten a 2" wide wood strip to the inner window sill across the full width of the sill. The wood strip should be thick enough to raise the height of the window sill so that the unit can be installed without interference by the storm window frame. See Figure. 24. Top of wood strip should be approximately 3/4" higher than the storm window frame (STORM WINDOW FRAME) or wood strip (OUTDOORS) to help condensation to drain properly to the outside.
3. Install a second wood strip (approximately 6" long by 1 1/2" wide and same thickness as first strip) in the center of the outer sill flush against the back off the inner sill. This will raise the L bracket as shown Figure. 24.
4. If the distance between STORM WINDOW FRAME and WOOD STRIP MOUNTED ON TOP OF INNER SILL is more than 1", two of wood strip are not necessary.

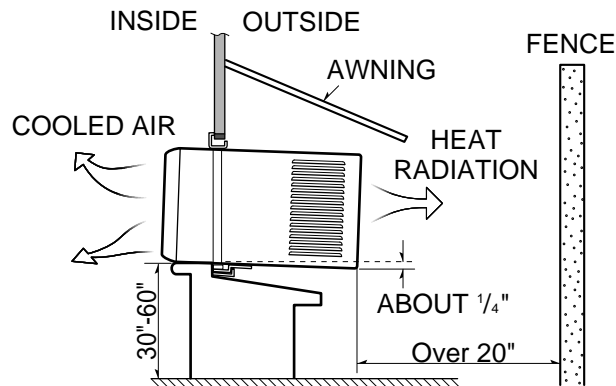


Figure 22

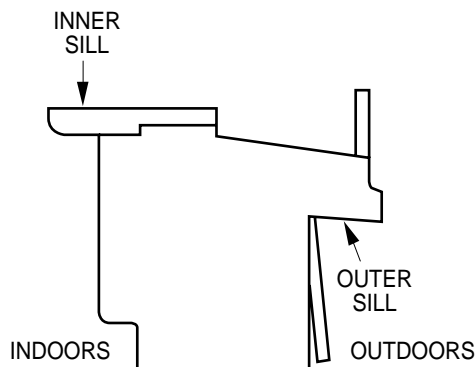


Figure 23

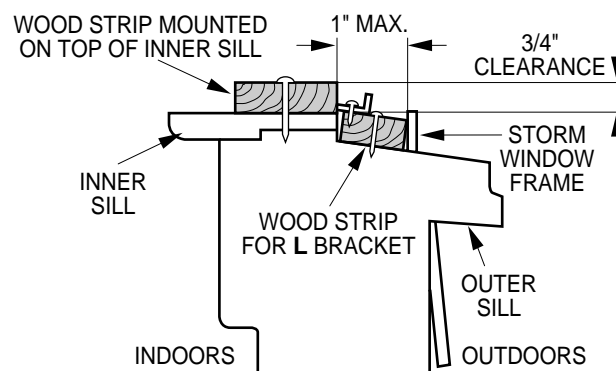
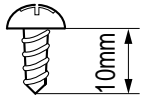
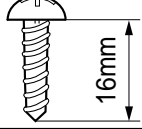
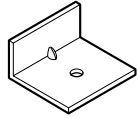

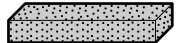
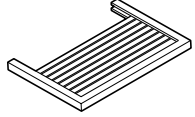
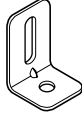


Figure 24

## Installation

HARDWARE			
TYPE A: 11EA (SHORT SCREW)	TYPE B: 5EA (WOOD SCREW)	TYPE C: 3EA (L BRACKET)	
			
TYPE D: 1EA (SEAL STRIP)	TYPE E: 1EA (SASH SEAL)	TYPE F: 2EA (GUIDE PANEL)	TYPE G: 1EA (SUPPORT BRACKET)
(Adhesive backed)	(Not adhesive backed)		
			

### 3.2.2 BEFORE INSTALLATION

1. Insert the guide panels into the guides of the air conditioner. Fasten the curtains to the unit with screws (TYPE A) as shown Figure. 25.
2. Cut the adhesive-backed seal strip (TYPE D) to the window width.  
Remove the backing from the seal strip and attach the seal strip to the underside of the bottom window. (Figure. 26)

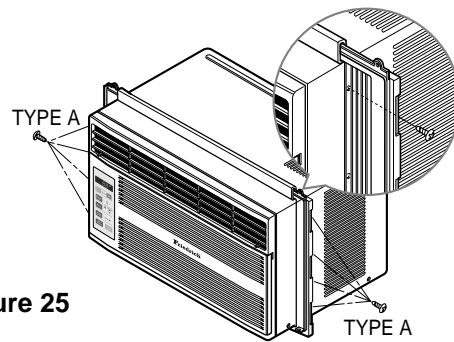


Figure 25

### 3.2.3 NOW START INSTALLATION

#### 1. LOCATING UNIT IN WINDOW

Open the window and mark center line on the center of the inner sill, as shown in Figure. 27.

#### 2. ATTACH L BRACKET

- a. Install the L brackets behind the inner window sill, with the short side of bracket as shown.  
Use the 2 screws (TYPE A) provided.
- b. The bracket helps to hold unit securely in place. Be sure to place bracket edge flush against back of inner sill. See Figure. 27.

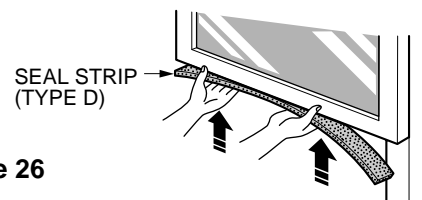


Figure 26

### CAUTION

During the following step, hold unit firmly until window sash is lowered to top channel behind side panel frames. Personal injury or property damage may result if unit falls from window.

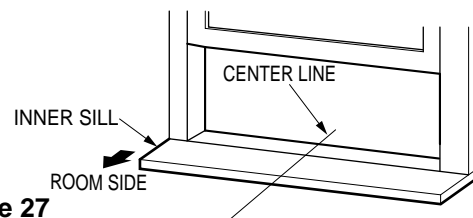
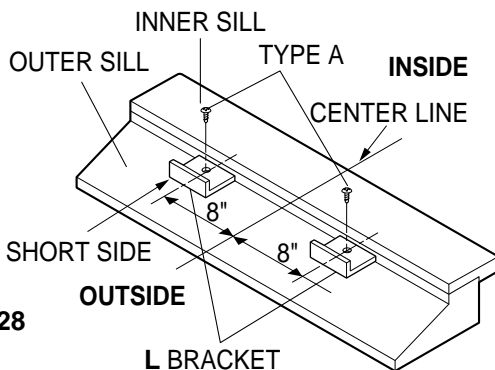


Figure 27

**3. INSTALL THE AIR CONDITIONER IN THE WINDOW**

- a. Carefully lift the air conditioner and slide it into the open window. Make sure the bottom guide of the air conditioner drops into the notches of the L bracket. See Figure. 28.

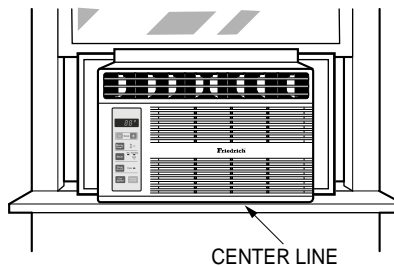


**Figure 28**

**IMPORTANT :**

When the air conditioner drops into the L bracket, the air conditioner will be centered in window opening as shown in Figure. 29.

- b. While steadying the air conditioner, carefully bring the window sash down behind the upper guide of the air conditioner, as shown in Figure. 30.



**Figure 29**

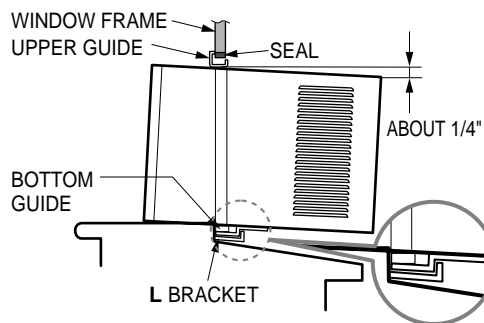
**4. SECURE THE GUIDE PANELS**

Extend the guide panels (TYPE F) to fill the window opening using 4 screws (TYPE B) to secure them, as shown in Figure. 31.

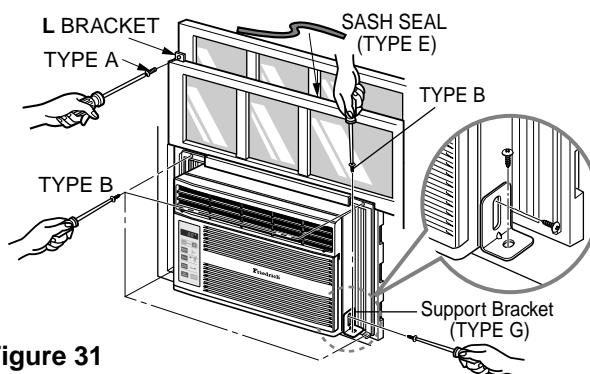
**5. INSTALL THE SASH SEAL AND SASH LOCK**

- a. Cut the sash seal (TYPE E) to the window width. Stuff the sash seal between the glass and the window to prevent air and insects from getting into the room, as shown in Figure. 31.
- b. Fasten the L bracket using a (TYPE A) screw, as shown in Figure. 31.

**6. Window installation of room air conditioner is now completed. See ELECTRICAL DATA for attaching power cord to electrical outlet.**



**Figure 30**

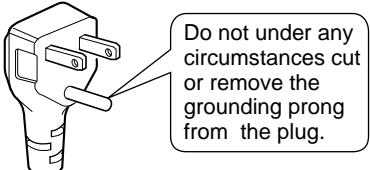
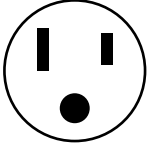


**Figure 31**

## REMOVAL FROM WINDOW

Turn the air conditioner off, disconnect the power cord, remove the L bracket and the screws installed through the top and bottom of the guide panels, and save for reinstallation later. Close the guide panels. Keeping a firm grip on the air conditioner, raise the sash, and carefully tilt the air conditioner backward, draining any condensate water. Lift the air conditioner from the window and remove the sash seal from between the windows.

## 3.3 ELECTRICAL DATA

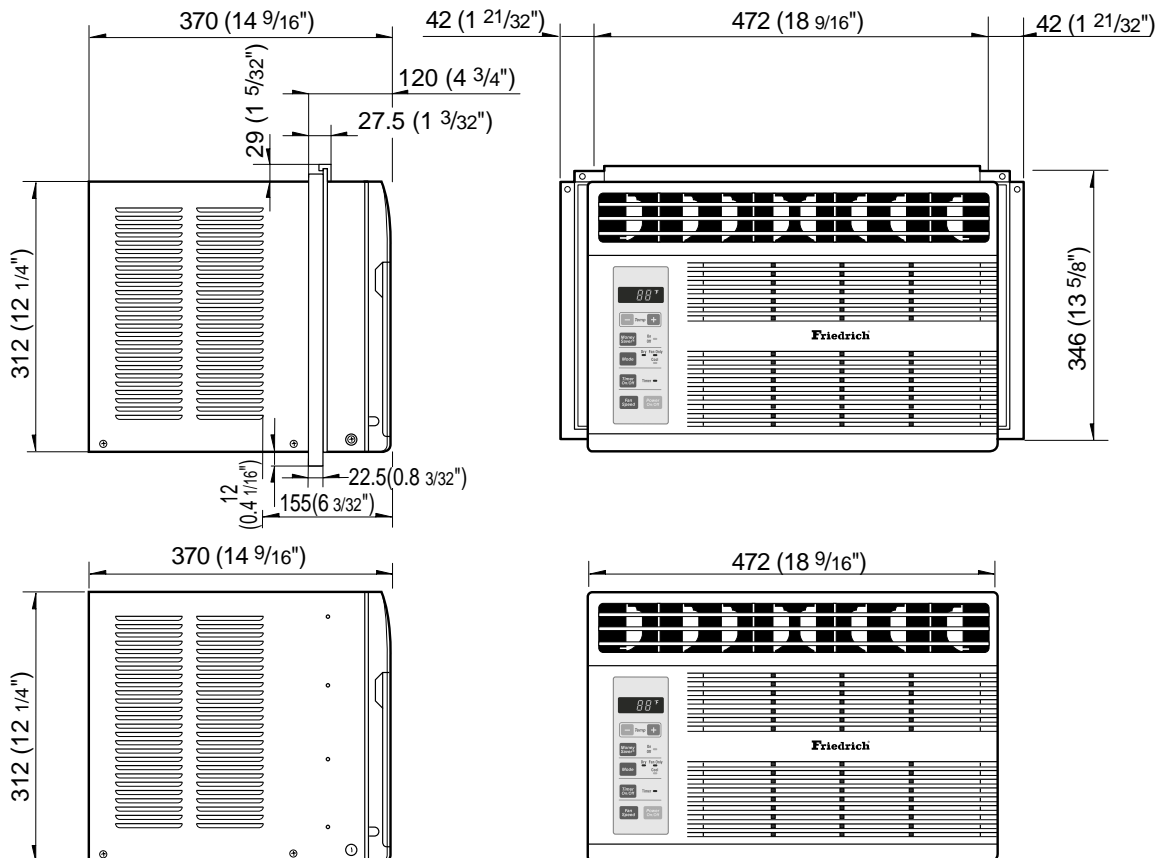
Line Cord Plug	Use Wall Receptacle	Power Supply
 <p>Power supply cord with 3-prong grounding plug</p>	 <p>Standard 125V, 3-wire grounding receptacle rated 15A, 125V AC</p>	<p>Use 15 AMP, time delay fuse, or circuit breaker.</p>

## USE OF EXTENSION CORDS

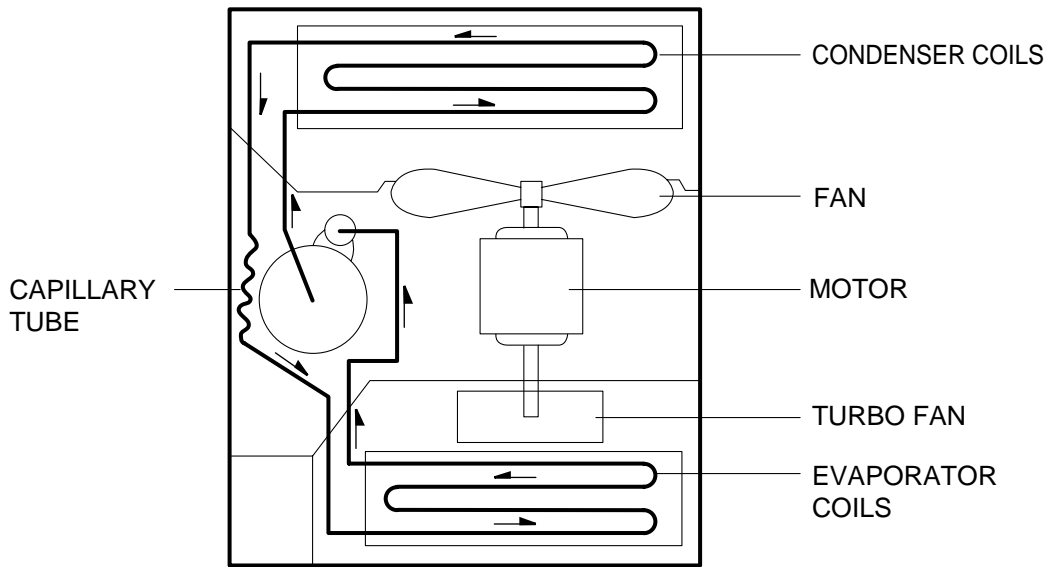
Because of potential safety hazards, we strongly discourage the use of an extension cord. However, if you wish to use an extension cord, use a CSA certified/UL-listed 3-wire (grounding) extension cord, rated 15A, 125V.

# 4. TROUBLESHOOTING GUIDE

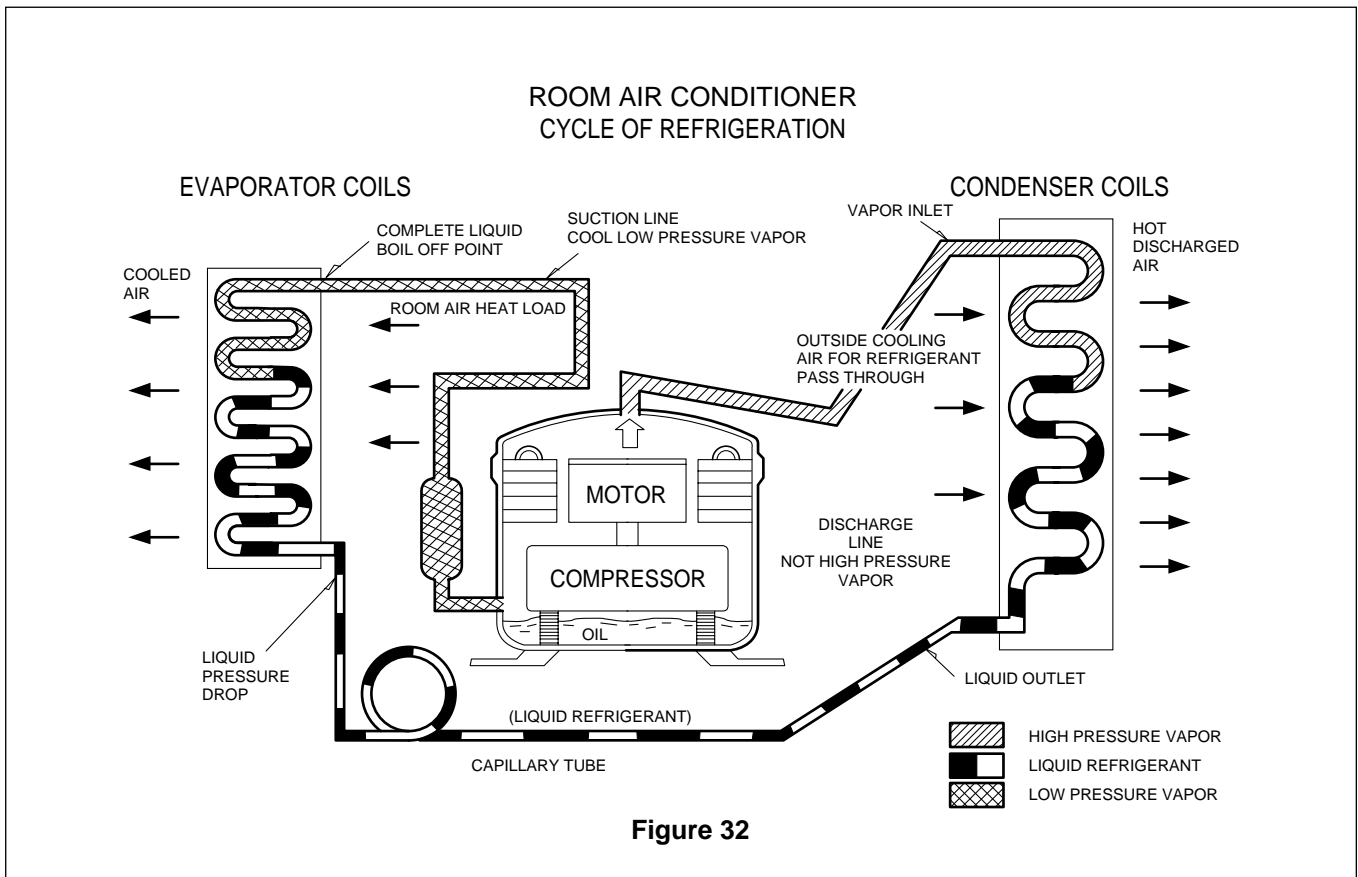
## 4.1 OUTSIDE DIMENSIONS (unit: mm [in])



## 4.2 PIPING SYSTEM



Following is a brief description of the important components and their function in what is called the refrigeration system. Reference should be made to Figure 32 to follow the refrigerating cycle and the flow of the refrigerant in the cooling cycle.



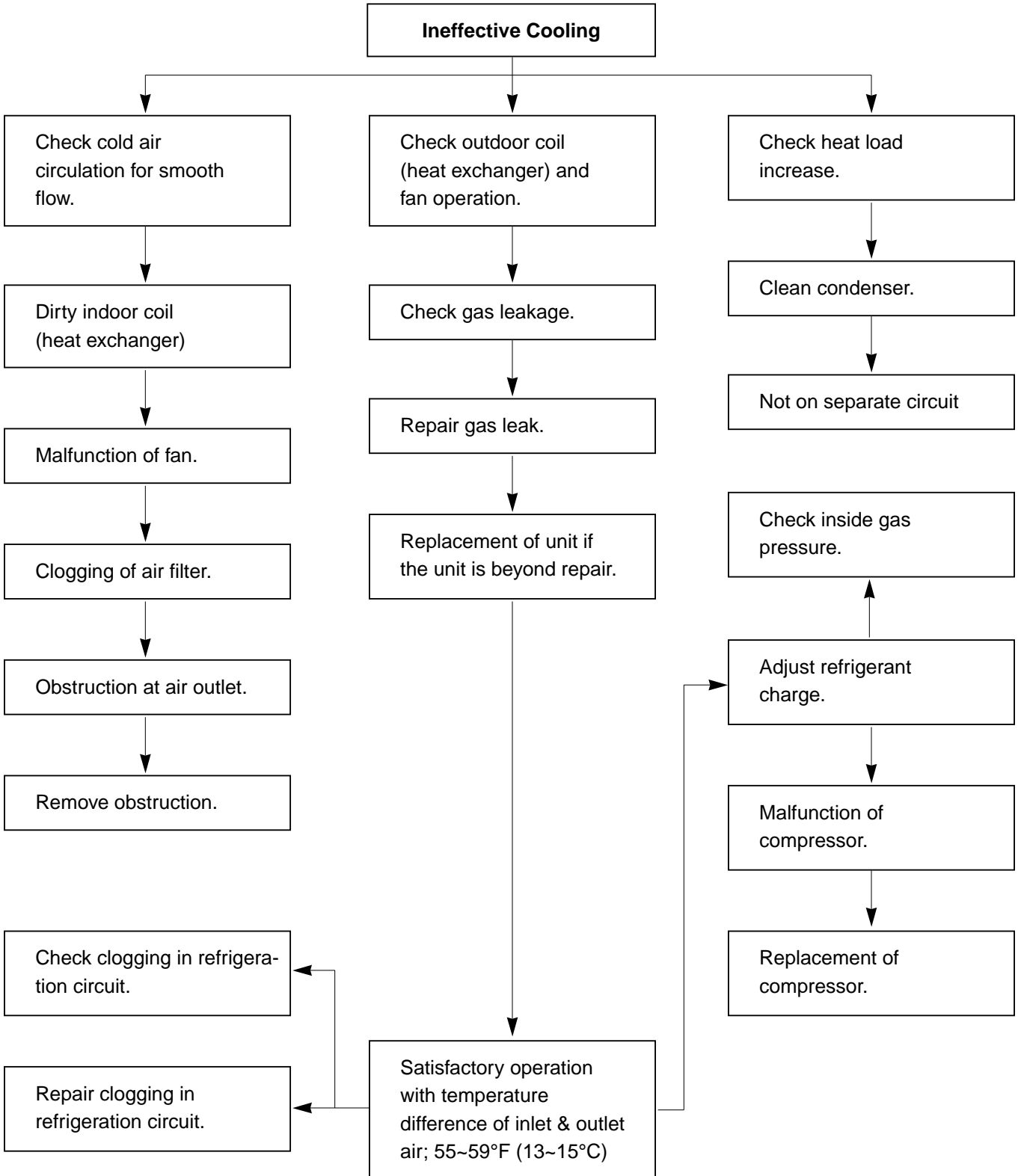


### 4.3 TROUBLESHOOTING GUIDE

In general, possible trouble is classified in two kinds.

The one is called **Starting Failure** which is caused by an electrical defect. The other is **Ineffective Air Conditioning** caused by a defect in the refrigeration circuit and improper application.

#### Unit is running but cooling is ineffective.





## ROOM AIR CONDITIONER VOLTAGE LIMITS

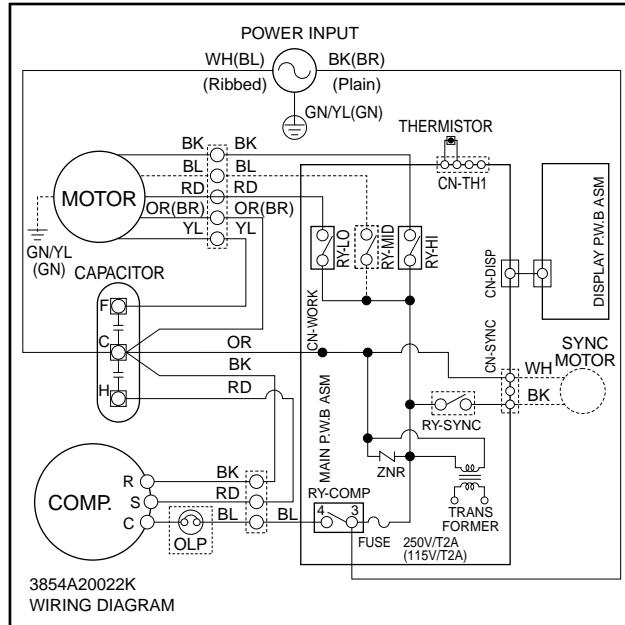
NAME PLATE RATING	MINIMUM	MAXIMUM
115V $\pm$ 10%	103.5V	126.5V

COMPLAINT	CAUSE	REMEDY
Fan motor will not run.	No power	Check voltage at outlet. Correct if none.
	Power supply cord	Check voltage to rotary switch. If none, check power supply cord. Replace cord if circuit is open.
	Wire disconnected or connection loose	Connect wire. Refer to wiring diagram for terminal identification. Repair or replace loose terminal.
	Capacitor (Discharge capacitor before testing.)	Test capacitor. Replace if not within $\pm$ 10% of manufacturer's rating. Replace if shorted, open, or damaged.
	Will not rotate	Fan blade hitting shroud or blower wheel hitting scroll. Re-align assembly.  Units using slinger ring condenser fans must have 0.22–0.25 inch clearance to the base. If necessary, shim up the bottom of the fan motor with mounting screw(s).  Check fan motor bearings; if motor shaft will not rotate, replace the motor.
Fan motor runs.	Revolves on overload	Check voltage. See limits on this page.  If not within limits, call an electrician.  Test capacitor. Check bearings. Does the fan blade rotate freely? If not, replace fan motor.  Pay attention to any change from high speed to low speed. If the speed does not change, replace the motor.

COMPLAINT	CAUSE	REMEDY
Fan motor noise.	Fan	If cracked, out of balance, or partially missing, replace it.
	Blower	If cracked, out of balance, or partially missing, replace it.
	Loose set screw	Tighten it.
	Worn bearings	If knocking sounds continue when running or loose, replace the motor. If the motor hums or noise appears to be internal while running, replace motor.
Compressor will not run, fan motor runs.	Voltage	Check voltage. See the limits on the preceding page. If not within limits, call an electrician.
	Wiring	Check the wire connections; if loose, repair or replace the terminal. If the wires are disconnected, refer to wiring diagram for identification, and replace the wires. Check the wire connections; If not according to the wiring diagram, correct the connections.
	Thermistor	Check the TEMP control. If not at the lowest number, set TEMP control to this setting and restart the unit.
		Check the continuity of the thermistor. Replace the thermistor if the circuit is open.
	Capacitor (discharge capacitor before servicing.)	Check the capacitor. Replace if not within $\pm 10\%$ of manufacturer's rating, replace if shorted, open, or damaged.
	Compressor	Check the compressor for open circuit or ground. If open or grounded, replace the compressor.
	Overload	Check the compressor overload if externally mounted. Replace if open. (If the compressor temperature is high, remove the overload, cool, and retest.)
Compressor cycles on overload.	Voltage	Check the voltage. See the limits on the preceding page. If voltage is not within these limits, call an electrician.
	Overload	Check overload, if externally mounted. Replace if open. (If the compressor temperature is high, remove the overload, cool, and retest.)

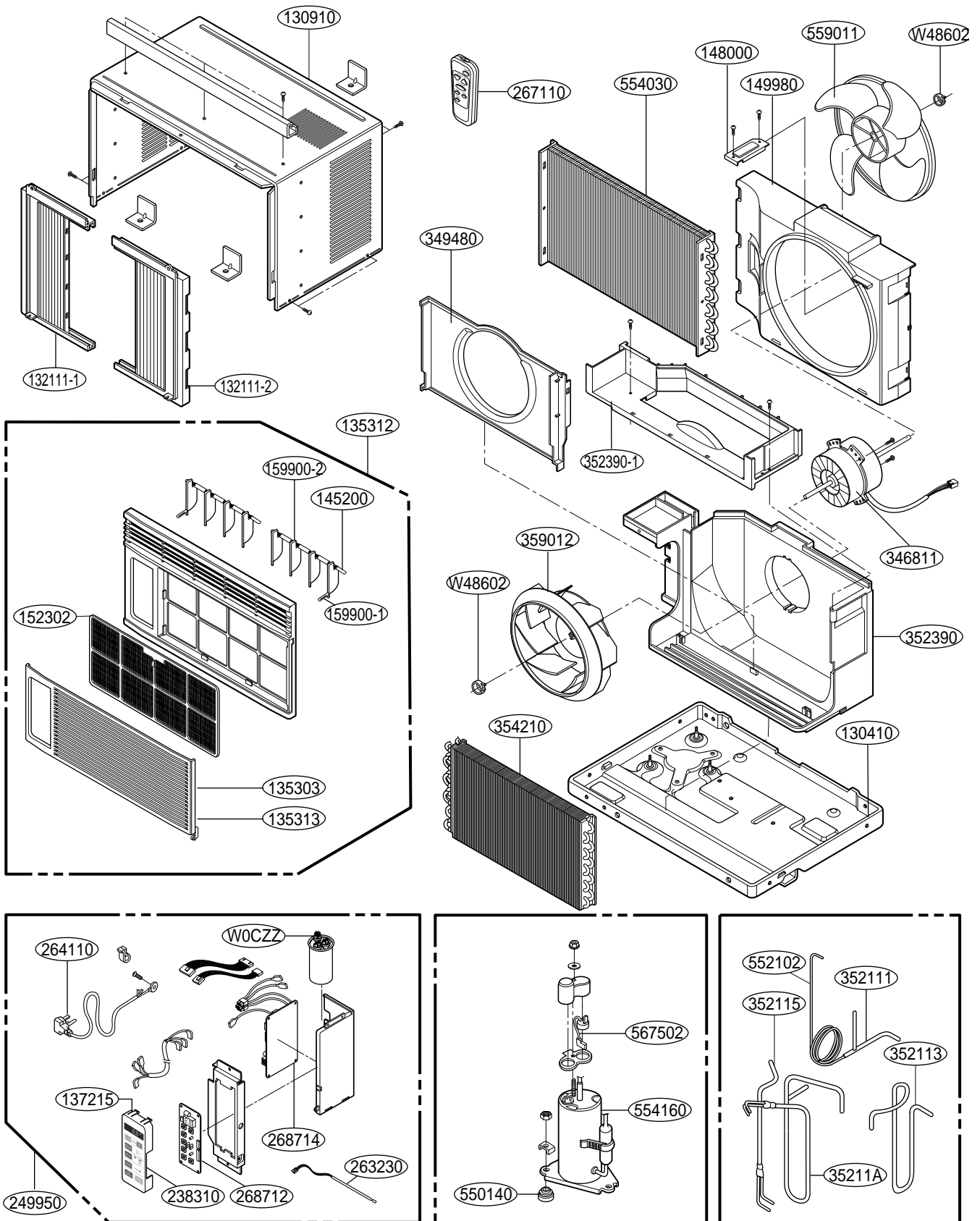
COMPLAINT	CAUSE	REMEDY
Compressor cycles on overload.	Fan motor	If not running, determine the cause. Replace if required.
	Condenser air flow restriction	Remove the cabinet, inspect the interior surface of the condenser. If restricted, clean carefully with a vacuum cleaner (do not damage fins) or brush. Clean the interior base before re-assembling.
	Condenser fins (damaged)	If the condenser fins are closed over a large area on the coil surface, head pressures will increase, causing the compressor to cycle. Straighten the fins or replace the coil.
	Capacitor	Test the capacitor.
	Wiring	Check the terminals. If loose, repair or replace.
	Refrigeration system	Check the system for a restriction.
Insufficient cooling	Air filter	If restricted, clean or replace.
	Unit undersized	Determine if the unit is properly sized for the area to be cooled.
Excessive noise	Blower or fan	Check the set screw, or clamp. If loose or missing, correct. If the blower or fan is hitting scroll or barrier, rearrange the air handling parts.
	Copper tubing	Remove the cabinet and carefully rearrange the tubing not to contact the cabinet, compressor, shroud, and barrier.

# 5. CIRCUIT DIAGRAM



LOCATION NO.	DESCRIPTION	PART NO.		Q'TY PER SET
		KP05A10	KP06A10	
1	POWER CORD ASSY	2H00677P		1
2	FAN MOTOR	4681A10002R	4681A10012M	1
3	COMPRESSOR	5416A20014D	2520UABC2JA	1
4	THERMISTOR	6323A20003D		1
5	CAPACITOR	6120AR2359V		1
6	OVERLOAD PROTECTOR	6750A30001U	6750U-L050A	1

# 6. EXPLODED VIEW



# 7. SERVICE PARTS LIST

## • KP05A10, KP06A10

LOCATION NO.	DESCRIPTION	PART NO.		FRIEDRICH PART NO.		Remark
		KP05A10	KP06A10	KP05A10	KP06A10	
130410	BASE ASSEMBLY,SINGLE	3041A10011F		67302906		R
130910	CABINET ASSEMBLY,SINGLE	3091A10020A		67303704		R
135312	GRILLE ASSEMBLY,FRONT(SINGLE)	3531A10130D				R
135303	GRILLE,INLET	3530A10157A				R
135500	COVER	3550A30048A	3550U-L006A	67301202		R
145200	LINK	4520AR3191A		67304600		R
159900-1	VANE,VERTICAL	5990AR3190A		67304500		R
159900-2	VANE,VERTICAL	5990AR3190B		67304501		R
148000	BRACE	4800A30003A				R
149980	SHROUD	4998A10008A		67303106		R
152302	FILTER(MECH),A/C	5231AR2148G		67400167		R
249950	CONTROL BOX ASSEMBLY,SINGLE	4995A20309A				R
264110	POWER CORD ASSEMBLY	2H00677P		67300000		R
267110	REMOTE CONTROLLER ASSEMBLY	6711A20056V				R
263230	THERMISTOR ASSEMBLY	6323A20003D				R
268712	PWB(PCB) ASSEMBLY,DISPLAY	6871A20193B				R
268714	PWB(PCB) ASSEMBLY,MAIN	6871A10070N				R
346811	MOTOR ASSEMBLY,SINGLE	4681A10002R	4681A10012M			R
349480	ORIFICE	4948A10007A		67303405		R
352113	TUBE,DISCHARGE	5210A21100A	5211A10129A	67302306		R
352115	TUBE ASSEMBLY,EVAPORATOR IN	5211A10063C		67302005		R
35211A	TUBE ASSEMBLY,SUCTION SINGLE	5211A10062B	5211A10062D			R
352390-1	AIR GUIDE ASSEMBLY	5239A10005B				R
352390-2	AIR GUIDE ASSEMBLY	5239A30003A		67302707		R
354210	EVAPORATOR ASSEMBLY,FIRST	5421A20016G		67302407		R
359012	FAN,TURBO	5900A10005A		67302606		R
550140	ISOLATOR,COMP	5040AR4195A		67301900		R
552102	TUBE,CAPILLARY BEND	5210A30018K	5210A30018P			R
554030	CONDENSER ASSEMBLY,FIRST	5403A20009E	5403A20009F			R
554160	COMPRESSOR	5416A20014D	2520UABC2JA		67301607	R
559011	FAN,PROPELLER	5900A20017A		67303205		R
567502	O.L.P	6750A30001U	6750U-L050A			R
W0CZZ	CAPACITOR,DRAWING	6120AR2359V				R
W48602	CLAMP,SPRING	3H02932B				R
132111-1	FRAME ASSEMBLY	3211AR3239A				R
132111-2	FRAME ASSEMBLY	3211AR3239B				R
352111	TUBE ASSEMBLY,FORMED COND	5211AR3399M				R



# MEMO

---

A series of horizontal dotted lines for writing.

# MEMO

---

A series of horizontal dotted lines for writing.

# Use Factory Certified Parts...



FRIEDRICH AIR CONDITIONING CO.  
Visit our web site at [www.friedrich.com](http://www.friedrich.com)

Post Office Box 1540 • 4200 N. Pan Am Expressway • San Antonio, Texas 78295-1540  
• (210) 357-4400 • FAX (210) 357-4480

P/NO.:3828A20207D

KP05 / KP06 (03/03)

## Free Manuals Download Website

<http://myh66.com>

<http://usermanuals.us>

<http://www.somanuals.com>

<http://www.4manuals.cc>

<http://www.manual-lib.com>

<http://www.404manual.com>

<http://www.luxmanual.com>

<http://aubethermostatmanual.com>

Golf course search by state

<http://golfingnear.com>

Email search by domain

<http://emailbydomain.com>

Auto manuals search

<http://auto.somanuals.com>

TV manuals search

<http://tv.somanuals.com>