



Slide-In Ranges

CGES3065K F/W/B

30" Electric



Effortless Performance

- Auto Shut-Off
- Quick Clean Options
- Effortless™ Convection Conversion
- Power Broil (4,000W)

Performance-Driven Style

- Effortless™ Oven Rack
- Real Stainless Steel
- Even Baking Technology
- Smoothtop Ceramic Glass Cooking Surface

SpaceWise™ Design

- Fits-More™ Cooktop
- Keep Warm Drawer with SpaceWise™ Half Rack
- SpaceWise™ Half Rack
- Keep Warm Zone (100W)
- SpaceWise™ Expandable Element – 9" to 12" (1700W/2700W)
- SpaceWise™ Expandable Element – 6" to 9" (1600W/3000W)

One-Touch Options

- Chicken Nuggets
- Pizza
- Keep Warm
- Add-a-Minute
- One-Touch Self-Clean

More Easy-To-Use Features

- Delay Start
- Hidden Bake
- Extra-Large Window

Sabbath Mode (Star-K® Certified)

Capacities

- 4.2 Cu. Ft. Oven Capacity
- 1.6 Cu. Ft. Drawer Capacity

Overall Exterior Dimensions

Height	36-5/8"
Width	30"
Depth	28-5/16"

Available in:



¹Based on single rack cooking performance, not set temperature, using Quick Preheat.

Signature Features



Quick Preheat

Preheat in less than six minutes.¹



True Convection

Multi-rack baking is faster and more even with True Convection.



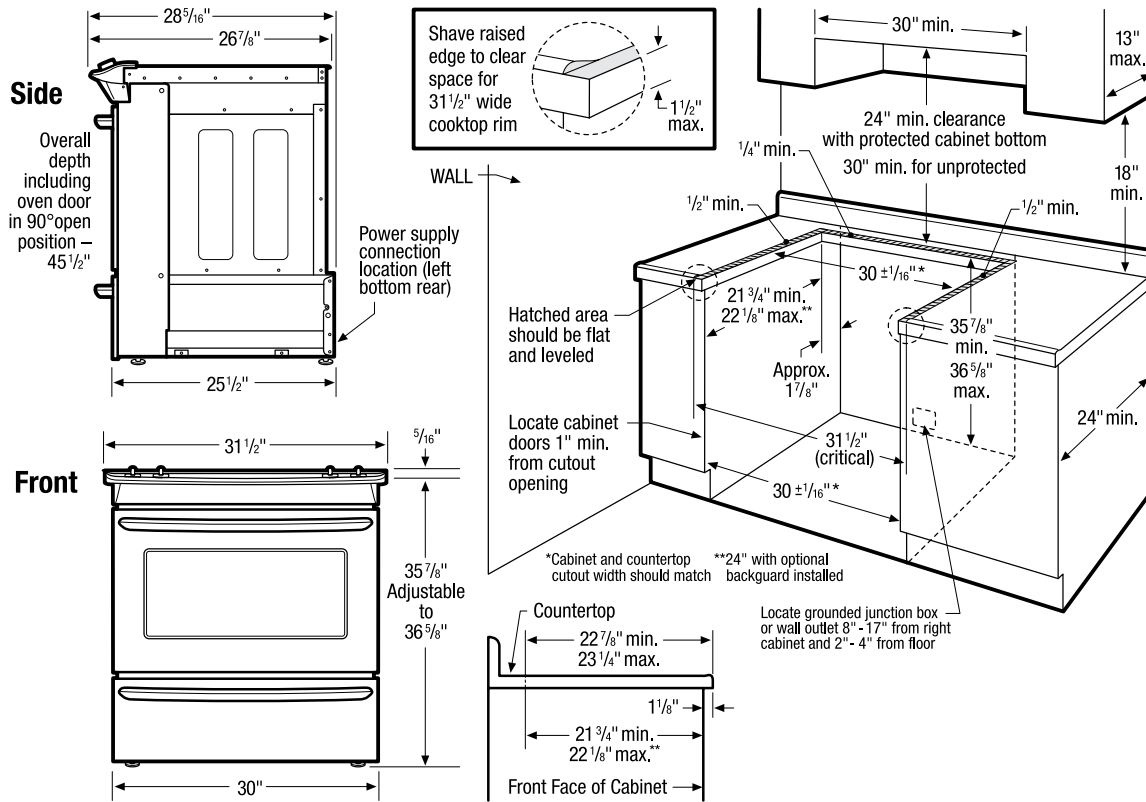
Quick Boil

Boils water faster with our 3,000-watt element.



Express-Select™ Controls

Easily go from warm to boil.



Slide-In Range Specifications

- Product Shipping Weight (approx.) - 240 Lbs.
- Single phase 3- or 4-wire cable, 120/240 or 120/208 Volt, 60 Hertz, fused on both sides of line with ground. (If local code permits, range may be connected by hard-wiring or by means of power supply cord kit.)
- Connected Load (kW Rating) @ 240/208 Volts = 13.9/10.5kW
- Amps @ 240/208 Volts = 58/50 Amps
- Recommended Circuit Breaker - 50 Amps (40 Amps minimum)
- Always consult local and national electric codes.
- Countertop MUST be level in all directions and adjustable range height at least 1/16" greater than tallest cabinet height, to ensure metal rangetop flange will fit properly on countertop edge.
- When installing optional Backguard Kit, cutout depth of 21-3/4" minimum/22-1/8" maximum needs increased to 24".
- Overhead cabinetry should not exceed a 13" maximum depth.
- Absolute minimum horizontal distance between overhead cabinets installed to either side of appliance must be no less than maximum width of appliance.
- Allow 24" minimum clearance between rangetop and bottom of cabinet when bottom of wood or metal cabinet is protected by not less than 1/4" flame-retardant millboard covered with not less than No. 28 MGS sheet steel, 0.015" stainless steel, 0.024" aluminum or 0.020" copper. Allow 30" minimum clearance when cabinet is unprotected.
- To reduce risk of fire when using overhead cabinetry, install range hood that projects horizontally a recommended minimum of 5" beyond bottom of cabinets.

Countertop Preparation

For detailed preparation instructions, refer to installation guide on the web.

- Flat square-finish (flat) countertop requires no preparation since rangetop flange lays directly on countertop edge.
- Formed front-edged countertops require front molded edge to be shaved flat 3/4" from each front corner of opening.
- Tile countertops may need cut back 3/4" from each front corner of opening and/or rounded edge flattened.
- For existing cutout width greater than 30-1/16" reduce the 3/4" overlap dimension or for cutout width of 29", replace actual side trim panels with smaller side trim panels, available with optional Side Trim Kit (refer to detailed kit installation instructions).

Note: For planning purposes only. Refer to Product Installation Guide on the web at frigidaire.ca for detailed instructions.

Optional Accessories

- Rear Filler Kit: Stainless Steel - PN # 901193-901S, White - PN # 901193-9011, Black - PN # 901193-9010.
- Side Panel Kit: Stainless Steel - PN # 903074-901S, White - PN # 903074-9011, Black - PN # 903074-9010.
- Backguard Kit: Stainless Steel - PN # 903046-901S, White - PN # 903046-9011, Black - PN # 903046-9010.
- Side Trim Kit: Stainless Steel - PN # 903075-901S, White - PN # 903075-9011, Black - PN # 903075-9010.

Free Manuals Download Website

<http://myh66.com>

<http://usermanuals.us>

<http://www.somanuals.com>

<http://www.4manuals.cc>

<http://www.manual-lib.com>

<http://www.404manual.com>

<http://www.luxmanual.com>

<http://aubethermostatmanual.com>

Golf course search by state

<http://golfingnear.com>

Email search by domain

<http://emailbydomain.com>

Auto manuals search

<http://auto.somanuals.com>

TV manuals search

<http://tv.somanuals.com>