

Frigidaire

Factory Parts Catalog

| | |
|---------------------------|---------------|
| Product No. | FEB30T5GCC |
| | 37054343E70S3 |
| Series | 30" double |
| Color | stainless |
| Market | North America |
| Wiring Diagram | 318046123 |
| Owner's Guide | 318205115 |
| Installation Instructions | 318201514 |
| Service Data Sheet | 318047309 |
| Timer Guide | 318200129 |

 **Electrolux**

Electrolux Major Appliances
 North & Latin America
 P.O. BOX 212378
 AUGUSTA, GA 30917

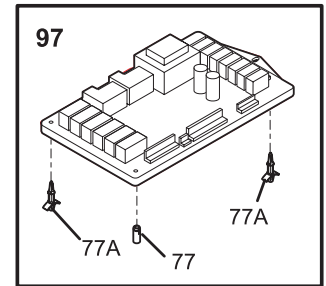
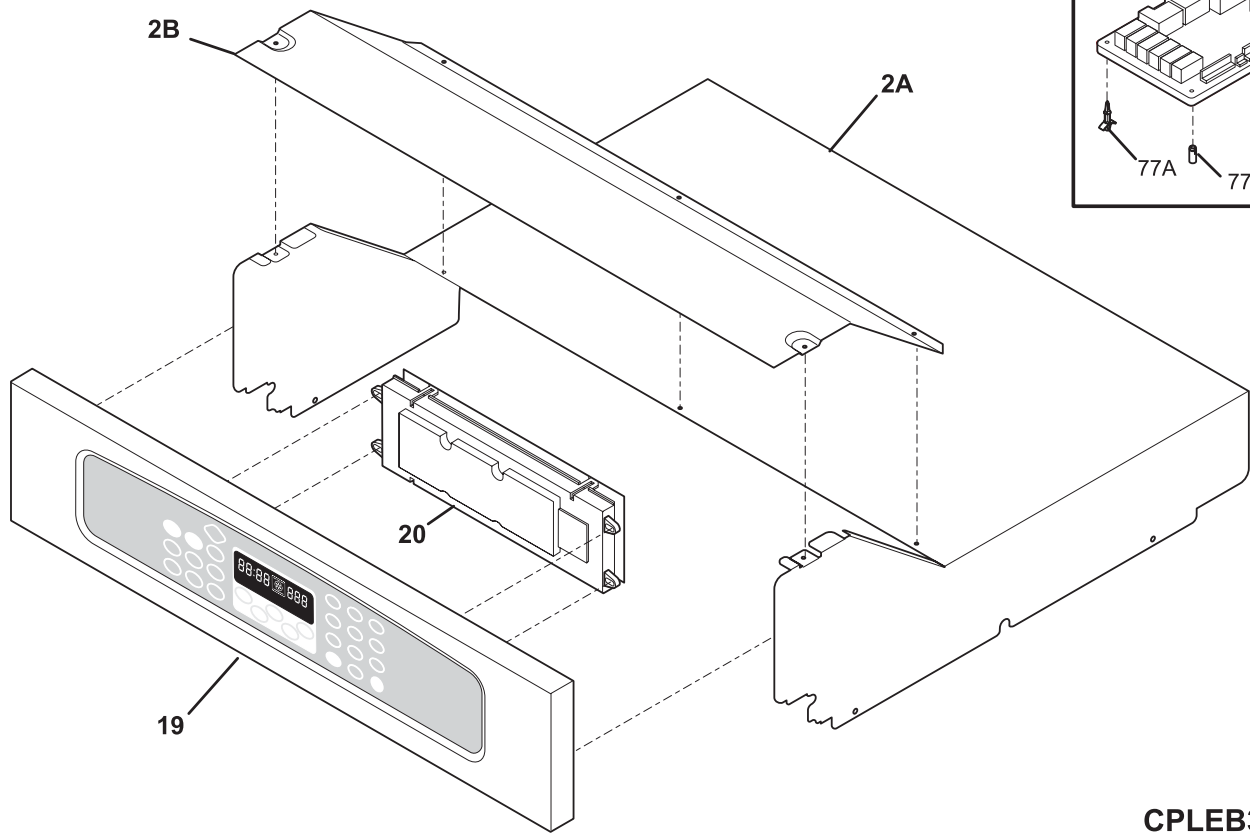
Publication No.
5995536165
 09/03/24
 (EN/SERVICE/ECL)
 377

**30" DOUBLE ELECTRIC
 WALL OVEN**

**Model No.
 FEB30T5G**

Copyright © 2009 Electrolux Home Products, Inc.
 All rights reserved.

CONTROL PANEL



CPLEB30T9FCA

CONTROL PANEL

| POS. NO | PART NO. | DESCRIPTION |
|---------|------------|---|
| 2A | 318257300 | Shield, oven top |
| 2B | 318260100 | Cover, box |
| 19 | 318271544 | Control Panel Assembly, steel/glass, stainless/black, w/touch pad |
| 20 # | 316443833 | Control, electronic, ES610W1, dual oven |
| 20* | 5303311306 | Screw, 8-18 x 0.375, (6) |
| 77 | 316247900 | Spacer, power board |
| 77A | 316114100 | Spacer |
| 97 | 316443913 | Board, relay, dual oven |
| * # | 318370374 | Wiring Harness, timer, to relay board |
| * | 5303211311 | Screw, 8 x 0.500 |

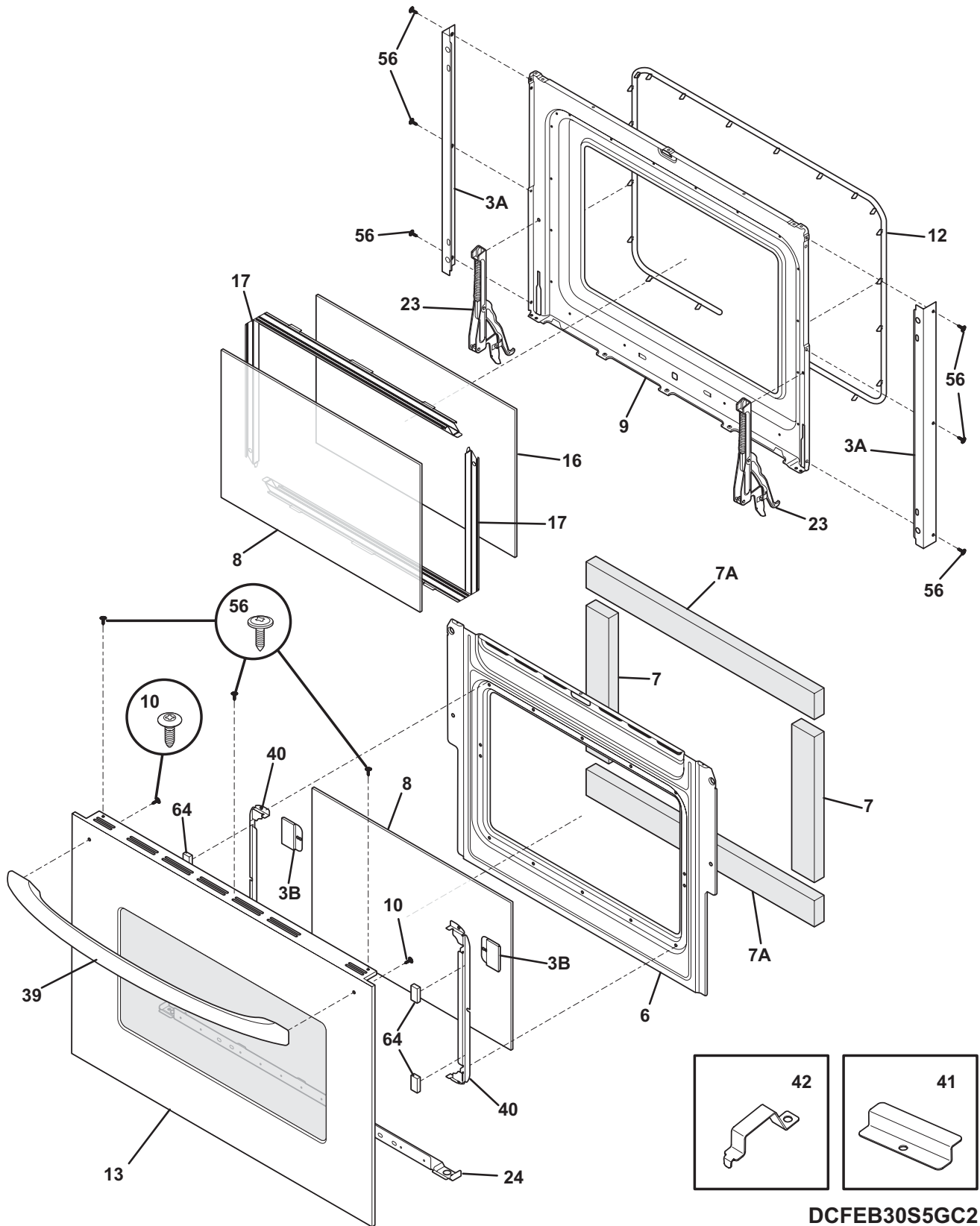
UPPER OVEN

| POS. NO | PART NO. | DESCRIPTION |
|---------|------------|--|
| 1 | 318259220 | Back, main |
| 2 | 318258902 | Shield, insulation, upper |
| 6 | 318345207 | Rack, oven |
| 9 | 5303317977 | Pan, broilerOPTIONAL ACCESSORY |
| 10 | 5303317976 | Insert, broiler panOPTIONAL ACCESSORY |
| 12 | 316445501 | Switch, oven light, door frame |
| 14 | 318224000 | Receptacle, oven light |
| 14* | 318268099 | Insulation, oven light |
| 15 | 5303013071 | Bulb/Lamp, light |
| 16 | 08011086 | Lens, oven light, glass |
| 17 | 5304400195 | Retainer, light cover |
| 29 | 316517600 | Spacer, oven door |
| 37 # | 316217002 | Probe, oven temp |
| 54 | 318222400 | Housing, oven light |
| 58A | 318386100 | Insulation, oven wrapper |
| 58B | 318133791 | Insulation, oven back, back/bottom |
| 58D | 318372006 | Insulation, 1/2" thick, 43 x 9.5 |
| 59 | 318072560 | Duct, oven vent |
| 59A | 318261600 | Bracket, vent tube |
| 66 # | 318255600 | Element, broil, 2750W |
| 67 # | 318255401 | Element, bake, 3400W |
| 68 | 5304403015 | Support, hanger, (4), broil element |
| 70 | 318259100 | Shield, insulation, sides, (2) |
| 71 | 318260007 | Panel, rear box |
| 71* | 318340201 | Bracket, insul. panel |
| 76 | 318056292 | Front, oven |
| 80 | 5303320846 | Plate, oven mtg |
| 81 | 318192400 | Spring, oven |
| 82 | 318258707 | Shield, insulation, lower |
| 83 | 318261403 | Liner, oven assy |
| 86 | 318561100 | Receptacle, hinge, (2) |
| 89 # | 318261215 | Motor, latch assy |
| * # | 318402206 | Wiring Harness, main, latch |
| * # | 318199746 | Wiring Harness, latch, NO BAS |
| * # | 318199768 | Wiring Harness, latch, BAS |
| 99 | 318252804 | Support, side |
| 108# | 318073028 | Motor, blower |
| * | 08016432 | Screw, truss head, 8-18 x 0.375 |
| 108A | 318251300 | Bracket, fan support |
| 119# | 318004900 | Switch, thermal |
| 127 | 318317100 | Adapter Assembly, vent tube, w/converter |
| 131 | 318272901 | Box, vent |
| 132 | 318003000 | Plate, shield |
| 142 | 318123910 | Deflector |
| 143 | 318172904 | Support, wire |
| 163 | 318531703 | Spacer, (4) |
| 185 | 318531800 | Spacer, oven shield, (2) |
| 264 | 318257701 | Trim, oven, black, front |
| * | 318165800 | Spacer |
| * | 5303211311 | Screw, 8 x 0.500 |
| * | 5303300265 | Screw, 8-18 X 1/2, (4) |
| * | 5303323277 | Screw, 8-18 X 13/32 |
| * | 5304436875 | Screw, 8-18 X 1/2, black |

LOWER OVEN

| POS. NO | PART NO. | DESCRIPTION |
|---------|------------|--|
| 1 | 318259220 | Back, main |
| 2 | 318258902 | Shield, insulation, upper |
| 6 | 318345207 | Rack, oven |
| 12 | 316445501 | Switch, oven light, door frame |
| 14 | 318224000 | Receptacle, oven light |
| 14* | 318268099 | Insulation, oven light |
| 15 | 5303013071 | Bulb/Lamp, light |
| 16 | 08011086 | Lens, oven light, glass |
| 17 | 5304400195 | Retainer, light cover |
| 29 | 316517600 | Spacer, oven door |
| 37 # | 316217002 | Probe, oven temp |
| 54 | 318222400 | Housing, oven light |
| 56 | 318903604 | Trim, side filler, black, RH |
| 56A | 318903605 | Trim, side filler, black, LH |
| 58A | 318386100 | Insulation, oven wrapper |
| 58B | 318133791 | Insulation, oven back, back/bottom |
| 58D | 318372006 | Insulation, 1/2" thick, 43 x 9.5 |
| 59 | 318072560 | Duct, oven vent |
| 59A | 318261600 | Bracket, vent tube |
| 62 | 316056000 | Terminal Block |
| 62* | 5303323139 | Screw, 10-24 x 0.906 |
| 62* | 5303323144 | Nut, 10-32 |
| 66 # | 318255600 | Element, broil, 2750W |
| 67 # | 318255401 | Element, bake, 3400W |
| 68 | 5304403015 | Support, hanger, (4), broil element |
| 70 | 318259100 | Shield, insulation, sides, (2) |
| 71 | 318260007 | Panel, rear box |
| 71* | 318340201 | Bracket, insul. panel |
| 76 | 318056292 | Front, oven |
| 80 | 5303320846 | Plate, oven mtg |
| 81 | 318192400 | Spring, oven |
| 82 | 318258707 | Shield, insulation, lower |
| 83 | 318261403 | Liner, oven assy |
| 86 | 318561100 | Receptacle, hinge, (2) |
| 87 | 318260600 | Bracket, cable mtg. |
| 89 # | 318261215 | Motor, latch assy |
| * # | 318402206 | Wiring Harness, main, latch |
| * # | 318199746 | Wiring Harness, latch, NO BAS |
| * # | 318199768 | Wiring Harness, latch, BAS |
| 90 | 318259701 | Trim, oven front, black, bottom |
| 99 | 318256201 | Bracket, side, bottom, (2) |
| 108# | 318073028 | Motor, blower |
| * | 08016432 | Screw, truss head, 8-18 x 0.375 |
| 108A | 318251300 | Bracket, fan support |
| 119# | 318004900 | Switch, thermal |
| 127 | 318317100 | Adapter Assembly, vent tube, w/converter |
| 142 | 318123910 | Deflector |
| 143 | 318172904 | Support, wire |
| 163 | 318531703 | Spacer, (4) |
| 185 | 318531800 | Spacer, oven shield, (2) |
| 264 | 318257801 | Trim, oven, black, front |
| * # | 318394442 | Box & wires assy |
| * # | 318370302 | Wiring Harness, main |
| * | 318165800 | Spacer |
| * | 5303211311 | Screw, 8 x 0.500 |
| * | 5303323136 | Screw ground |
| * | 5303323277 | Screw, 8-18 X 13/32 |
| * | 5304436875 | Screw, 8-18 X 1/2, black |

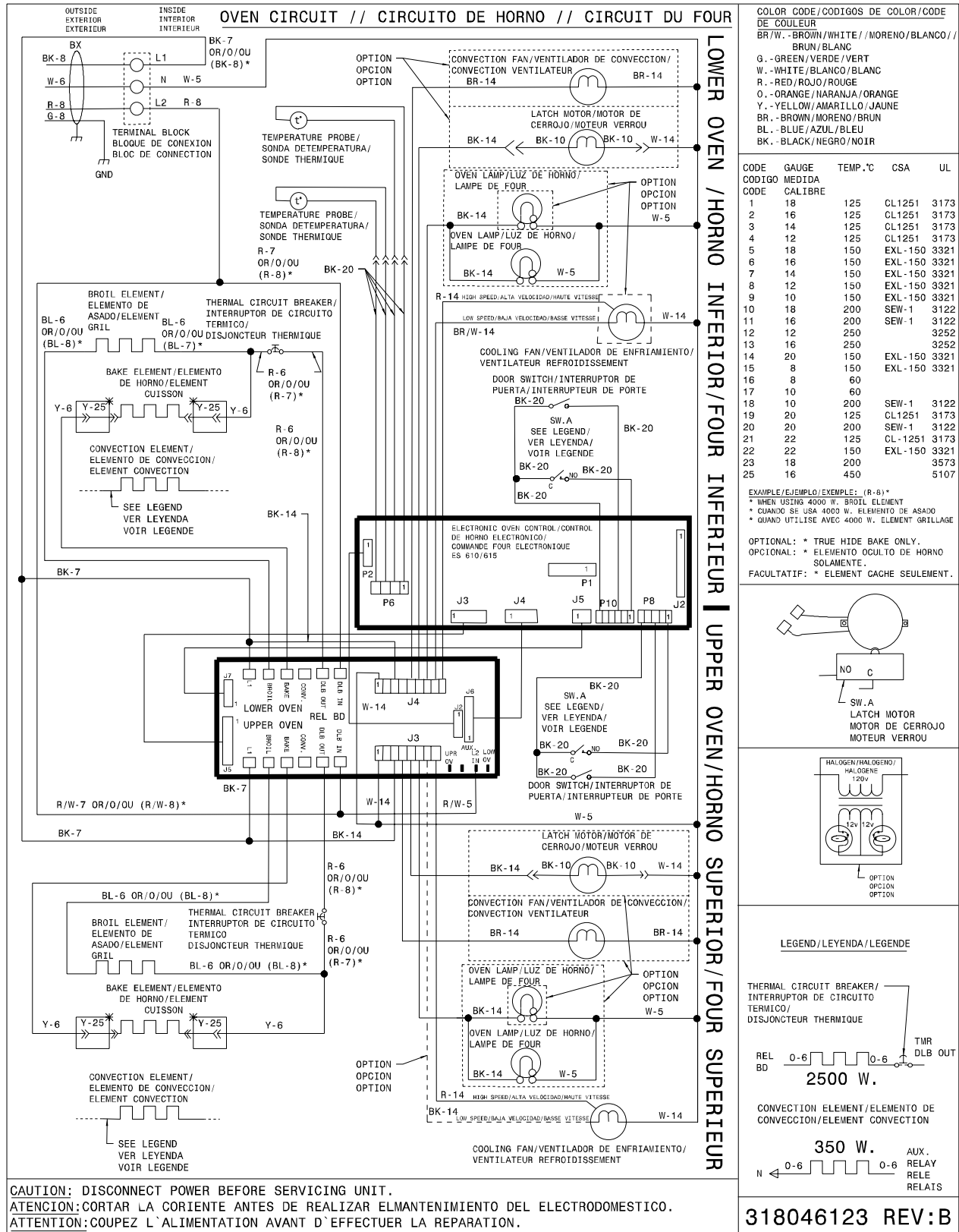
DOORS



DOORS

| POS. NO | PART NO. | DESCRIPTION |
|---------|------------|--|
| 3A | 318260401 | Trim, oven door, side, (2) |
| 3B | 318262101 | Cover, rear door, black, (2) |
| 6 | 318260522 | Baffle, door |
| 7 | 318372000 | Insulation, door, (2) |
| 7A | 318372002 | Insulation, door, (2) |
| 8 | 316117500 | Glass, oven door, heat barrier |
| 9 | 318360108 | Liner, oven door |
| 10 | 5304452028 | Screw, handle mtg, 10-14 x 1/2, (2) |
| 12 | 318053121 | Seal, oven door |
| 13 | 318272183 | Door Assy, glass, stainless steel, outer |
| 16 | 318212210 | Glass, oven door, heat barrier, lower door |
| 17 | 318264710 | Spacer, glass, lower, (2) |
| 23 | 318567100 | Hinge, oven door, (2) |
| 24 | 318260301 | Trim, door, black, lower |
| 39 | 316270200 | Handle, door, black |
| 40 | 318242702 | Bracket, glass holder, door, (2) |
| 41 | 318370600 | Bracket, glass retainer, (2) |
| 42 | 318382301 | Bracket, glass retainer, (4) |
| 56 | 5304436875 | Screw, 8-18 X 1/2, black |
| 64 | 318165800 | Spacer |
| * | 318163602 | Cleaner, stainless steel |
| * | 08016432 | Screw, truss head, 8-18 x 0.375 |
| * | 5303211311 | Screw, 8 x 0.500 |
| * | 5303300265 | Screw, 8-18 X 1/2, (4) |
| * | 5303323277 | Screw, 8-18 X 13/32 |

WIRING DIAGRAM



COLOR CODE / CODIGOS DE COLOR / CODE DE COULEUR

BR/W. - BROWN/WHITE // MORENO/BLANCO // BRUN/BLANC

G. - GREEN/VERDE/VERT

W. - WHITE/BLANCO/BLANC

R. - RED/ROJO/ROUGE

O. - ORANGE/NARANJA/ORANGE

Y. - YELLOW/AMARILLO/JAUNE

BR. - BROWN/MORENO/BRUN

BL. - BLUE/AZUL/BLEU

BK. - BLACK/NEGRO/NOIR

| CODE | GAUGE | TEMP. °C | CSA | UL |
|--------|---------|----------|---------|------|
| CODIGO | MEDIDA | | | |
| CODE | CALIBRE | | | |
| 1 | 18 | 125 | CL1251 | 3173 |
| 2 | 16 | 125 | CL1251 | 3173 |
| 3 | 14 | 125 | CL1251 | 3173 |
| 4 | 12 | 125 | CL1251 | 3173 |
| 5 | 18 | 150 | EXL-150 | 3321 |
| 6 | 16 | 150 | EXL-150 | 3321 |
| 7 | 14 | 150 | EXL-150 | 3321 |
| 8 | 12 | 150 | EXL-150 | 3321 |
| 9 | 10 | 150 | EXL-150 | 3321 |
| 10 | 18 | 200 | SEW-1 | 3122 |
| 11 | 16 | 200 | SEW-1 | 3122 |
| 12 | 12 | 250 | | 3252 |
| 13 | 16 | 250 | | 3252 |
| 14 | 20 | 150 | EXL-150 | 3321 |
| 15 | 8 | 150 | EXL-150 | 3321 |
| 16 | 8 | 60 | | |
| 17 | 10 | 60 | | |
| 18 | 10 | 200 | SEW-1 | 3122 |
| 19 | 20 | 125 | CL1251 | 3173 |
| 20 | 20 | 200 | SEW-1 | 3122 |
| 21 | 22 | 125 | CL-1251 | 3173 |
| 22 | 22 | 150 | EXL-150 | 3321 |
| 23 | 18 | 200 | | 3573 |
| 25 | 16 | 450 | | 5107 |

EXAMPLE/EJEMPLO/EXEMPLE: (R-6)*

* WHEN USING 4000 W. BROIL ELEMENT

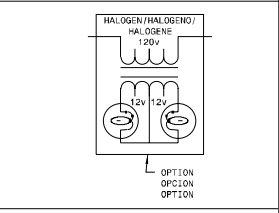
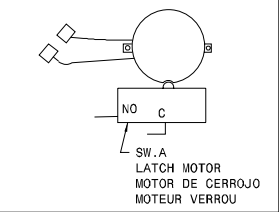
* CUANDO SE USA 4000 W. ELEMENTO DE ASADO

* QUAND UTILISE AVEC 4000 W. ELEMENT GRILLAGE

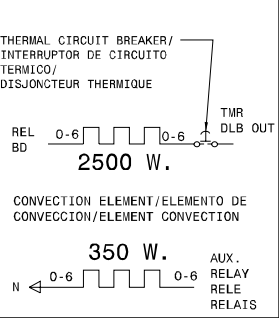
OPTIONAL: * TRUE HIDE BAKE ONLY.

OPTIONAL: * ELEMENTO OCULTO DE HORNO SOLAMENTE.

FACULTATIF: * ELEMENT CACHE SEULEMENT.



LEGEND / LEYENDA / LEGENDE



318046123 REV: B

Free Manuals Download Website

<http://myh66.com>

<http://usermanuals.us>

<http://www.somanuals.com>

<http://www.4manuals.cc>

<http://www.manual-lib.com>

<http://www.404manual.com>

<http://www.luxmanual.com>

<http://aubethermostatmanual.com>

Golf course search by state

<http://golfingnear.com>

Email search by domain

<http://emailbydomain.com>

Auto manuals search

<http://auto.somanuals.com>

TV manuals search

<http://tv.somanuals.com>