



Freezer

FFCH13M2MW

Manual Defrost
13 Cu. Ft. Chest



Product Dimensions

Height (Including Lid)	35"
Width	42-3/4"
Depth	29-1/2"

More Easy-To-Use Features

Adjustable Temperature Control
Select the correct temperature for your needs.

Lock with Pop-Out Key
The freezer key automatically ejects after locking the door so you won't leave it in the door.

Defrost Water Drain
Use the drain to conveniently remove water during defrosting.

Colour-Coordinated Handle



ENERGY STAR®

Available in:



White
(W)

Signature Features

Store-More™ Removable Basket

Convenient lift-out storage for easy access to most small frozen items or items that are most frequently used.

ENERGY STAR® Qualified

Power-On Indicator Light

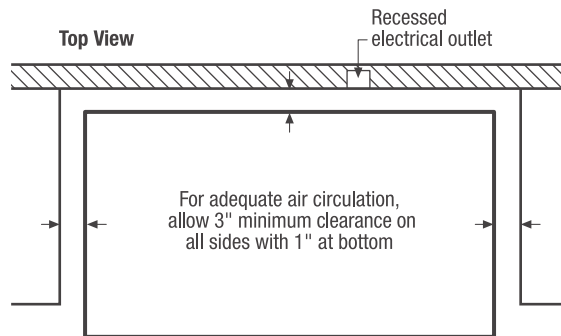
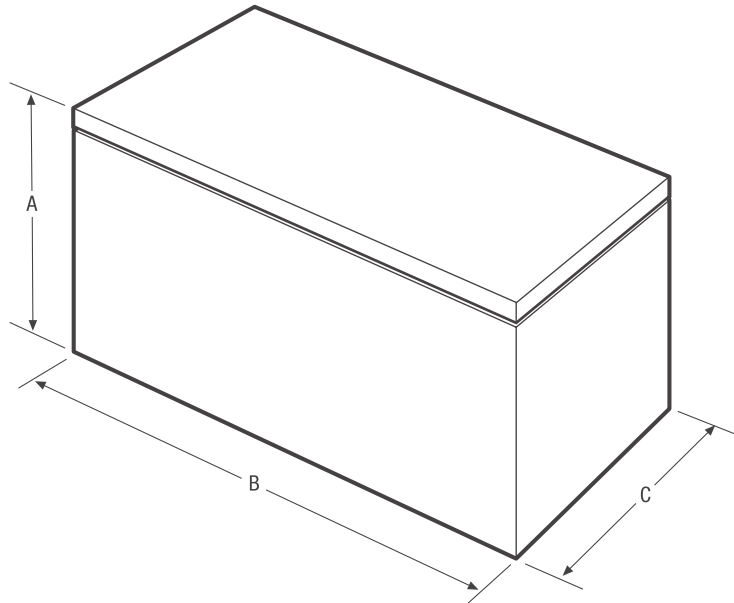
Know at a glance that your freezer is working.

Bright Lighting

Our bright lighting makes it easy to see what's inside.

Features	
Defrost	Manual
Adjustable Temperature Control	Yes
Interior Lighting	Bright
Store-More™ Removable Baskets	2
Food Organization System	
Defrost Water Drain	Yes
Lid Handle	Yes
Lock with Pop-Out Key	Yes
Power-On Light	Yes
Certifications	
ENERGY STAR®	Yes
CSA Rating	Household
Specifications	
Total Capacity (Cu. Ft.)	12.9
Annual Energy (kWH)	326
Annual Energy Cost (.1065/kWH)	\$35
Power Supply Connection Location	Left Bottom Rear
Voltage Rating	120V/60Hz/5A
Connected Load (kW rating) @ 120 Volts ¹	.6
Amps @ 120 Volts	5
Minimum Circuit Required (Amps)	15
Shipping Weight (Approx.)	151 Lbs.

¹An electrical supply with grounded three-prong receptacle is required. The power supply circuit must be installed in accordance with local codes & ordinances.



NOTE: For planning purposes only. Always consult local and national electric codes. Refer to Product Installation Guide for detailed installation instructions on the web at frigidaire.ca.



Product Dimensions	
A - Height (Including Lid)	35"
B - Width	42-3/4"
C - Depth	29-1/2"
Height with Lid Open 90°	60-13/16"

Accessories information available on the web at frigidaire.ca

Free Manuals Download Website

<http://myh66.com>

<http://usermanuals.us>

<http://www.somanuals.com>

<http://www.4manuals.cc>

<http://www.manual-lib.com>

<http://www.404manual.com>

<http://www.luxmanual.com>

<http://aubethermostatmanual.com>

Golf course search by state

<http://golfingnear.com>

Email search by domain

<http://emailbydomain.com>

Auto manuals search

<http://auto.somanuals.com>

TV manuals search

<http://tv.somanuals.com>