

## Freezer

### FFFU13M1QW

Manual Defrost  
12.8 Cu. Ft. Upright



#### Product Dimensions

Height (Including Hinges)	62-3/16"
Width	29-5/8"
Depth (Including Door)	28-1/2"

#### More Easy-To-Use Features

##### Leveling Legs

##### Manual Defrost

Available in:



White  
(W)

<sup>1</sup>Average cabinet temperature as tested per AHAM standard HRF-1-2007 Section 7.9 at 70 degrees with door remaining closed.

## Signature Features

### Thicker Walls

Keeps food frozen for over 2 days if there is a power outage.<sup>1</sup>

### Adjustable Temperature Control

Select the correct temperature for your needs.

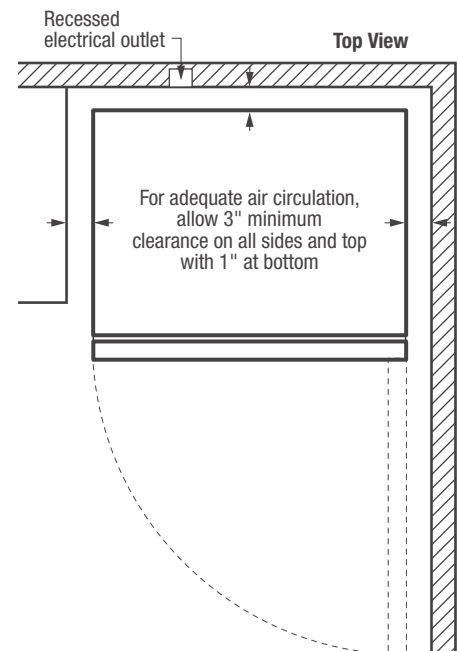
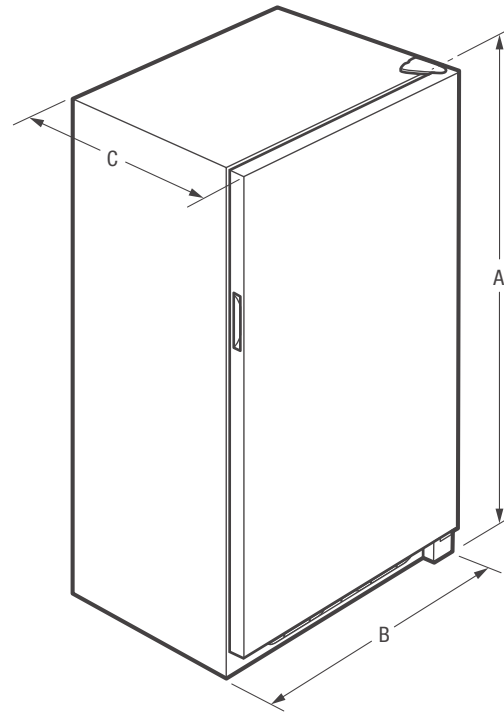
### Dial Controls

Easily accessible dial controls that will stand the test of time.

### Integrated Handle

Features	
Door Handle Design	Integrated
Reversible Door	
Automatic Door Closer	
Leveling Legs	Yes
Lock with Pop-Out Key	
Defrost	Manual
Adjustable Temperature Control	Mechanical Dial
High-Temp Alarm	
Door Ajar Alarm	
Interior Lighting	
Full-Width Adjustable Shelves	
Full-Width Fixed Shelves	3 Wire
Removable Trivet	
Mid-Level Baskets	
Lower Storage Basket	
Basket Dividers	
Full-Width Door Bins	
Fixed Door Racks	5
Defrost Drain	
Power-On Light	
Certifications	
CSA Rating	Household
Specifications	
Total Capacity (Cu. Ft.)	12.8
Shelf Area (Sq. Ft.)	7.6
Annual Energy (kWH)	318
Annual Energy Cost (.12/kWH)	\$38
Power Supply Connection Location	Lower Right Rear
Voltage Rating	115V, 60Hz
Connected Load (kW rating) @ 115 Volts <sup>1</sup>	.60
Amps @ 115 Volts	5
Minimum Circuit Required (Amps)	15
Shipping Weight (Approx.)	154 Lbs.

<sup>1</sup>An electrical supply with grounded three-prong receptacle is required. The power supply circuit must be installed in accordance with current local codes & ordinances.



**NOTE:** For planning purposes only. Always consult local and national electric codes. Refer to Product Installation Guide for detailed installation instructions on the web at [frigidaire.ca](http://frigidaire.ca).



Product Dimensions	
A - Height (Including Hinges)	62-3/16"
B - Width	29-5/8"
C - Depth (Including Door)	28-1/2"
Depth with Door Open 90°	54-1/4"

Accessories information available on the web at [frigidaire.ca](http://frigidaire.ca)

## Free Manuals Download Website

<http://myh66.com>

<http://usermanuals.us>

<http://www.somanuals.com>

<http://www.4manuals.cc>

<http://www.manual-lib.com>

<http://www.404manual.com>

<http://www.luxmanual.com>

<http://aubethermostatmanual.com>

Golf course search by state

<http://golfingnear.com>

Email search by domain

<http://emailbydomain.com>

Auto manuals search

<http://auto.somanuals.com>

TV manuals search

<http://tv.somanuals.com>