

FRIGIDAIRE

Factory Parts Catalog



Product No.	FFBC46F5LS
Series	Frigidaire
Market	North America
Color	glass/steel
Volts	115
Owner's Guide	242103100

Frigidaire

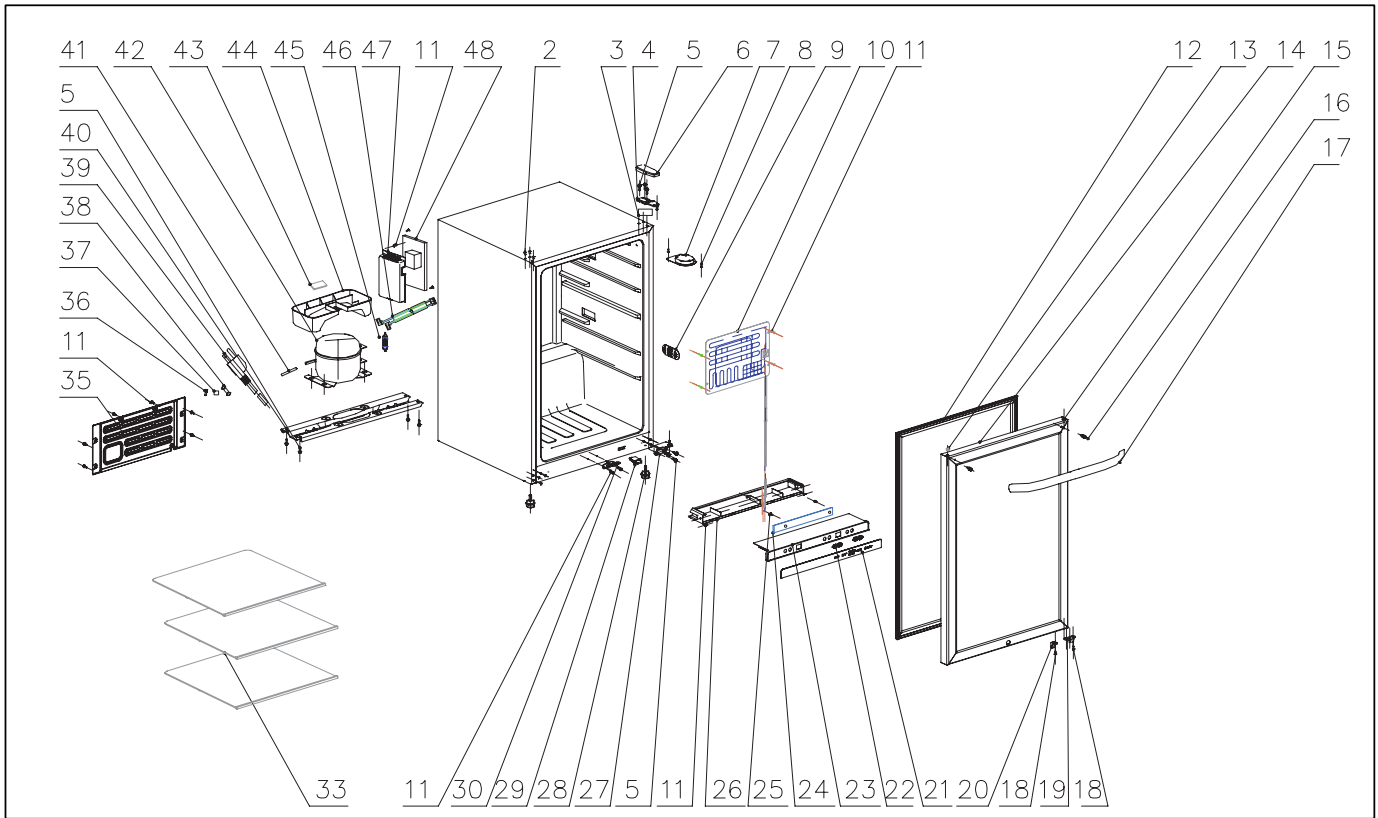
P.O. BOX 8020
CHARLOTTE, NC 28262

BEVERAGE CENTER

Model No.
FFBC46F5L

Publication No.
5995574067
10/09/10
(EN/SERVICE/KC)
099

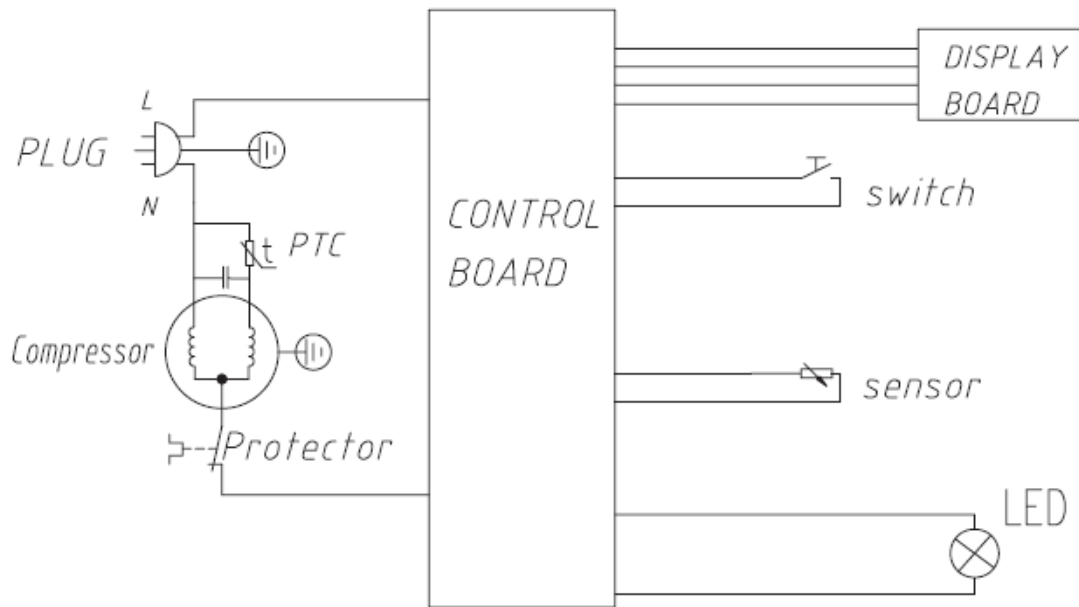
RECOMMENDED SPARES



RECOMMENDED SPARES

POS. NO	PART NO.	DESCRIPTION
2	5304479779	Plug, hinge hole, cabinet
3	5304479780	Washer, top hinge
4	5304479781	Hinge, top
5	5304480019	Screw, tapping
6	5304479782	Cover, top hinge
7 #	5304479803	Lamp Assembly, LED
8	5304479804	Screw, tapping, stainless steel
9	5304479805	Cover, temp sensor
9* #	5304479971	Thermistor, temp sensor
10 #	5304479829	Evaporator
11	5304479807	Screw, tapping, stainless steel
12 #	5304479808	Gasket, door
13	5304479809	Plug, door hole
14	5304479830	Door Assembly, glass/steel
15	5304479789	Bushing, hinge
16	5304479811	Screw, shoulder, door handle
17	5304479812	Handle Assembly, door
18	5304479813	Screw, tapping, door
19	5304479790	Stop, door
20	5304479791	Bracket, door switch
21	5304479831	Control Panel, console
22	5304479936	Push Button
23	5304479815	Overlay, control board, cover
24 #	5304479832	PC Board, input, display
25	5304479817	Screw, tapping
26	5304479818	Base, display board
27	5304479792	Hinge, bottom
28	5304479819	Foot, leveling screw, cabinet
29 #	5304479794	Switch, lamp/light
30	5304479795	Latch, door
33	5304479833	Shelf, glass
35	5304479822	Cover, access, rear
36	5304480022	Screw, tapping
37	5304479823	Clamp, strain relief, power cord
38	5304479838	Sleeve, power cord
39 #	5304479824	Power Cord, electric
40	5304479825	Base, compressor
41 #	5304479826	Tube, adapter
42 #	5304479827	Compressor
43	5304479828	Pad, thermal mastic
44	5304479799	Tray, drip pan
45 #	218944002	Drier-filter, R134a System
46 #	5304479834	Wiring Harness, electrical
47	5304479835	Cover, control box
48 #	5304479837	PC Board, power/main

WIRING DIAGRAM



Free Manuals Download Website

<http://myh66.com>

<http://usermanuals.us>

<http://www.somanuals.com>

<http://www.4manuals.cc>

<http://www.manual-lib.com>

<http://www.404manual.com>

<http://www.luxmanual.com>

<http://aubethermostatmanual.com>

Golf course search by state

<http://golfingnear.com>

Email search by domain

<http://emailbydomain.com>

Auto manuals search

<http://auto.somanuals.com>

TV manuals search

<http://tv.somanuals.com>