

Quiet Viscount[®] II Hydraulic Motor

308048K
ENG

**Used as hydraulic drive for reciprocating pumps.
For professional use only.**

Model 223646, Series B

1500 psi (10 MPa, 103 bar) Maximum Hydraulic Fluid Input Pressure

Patent No. 4,792,291
Foreign Patents Pending

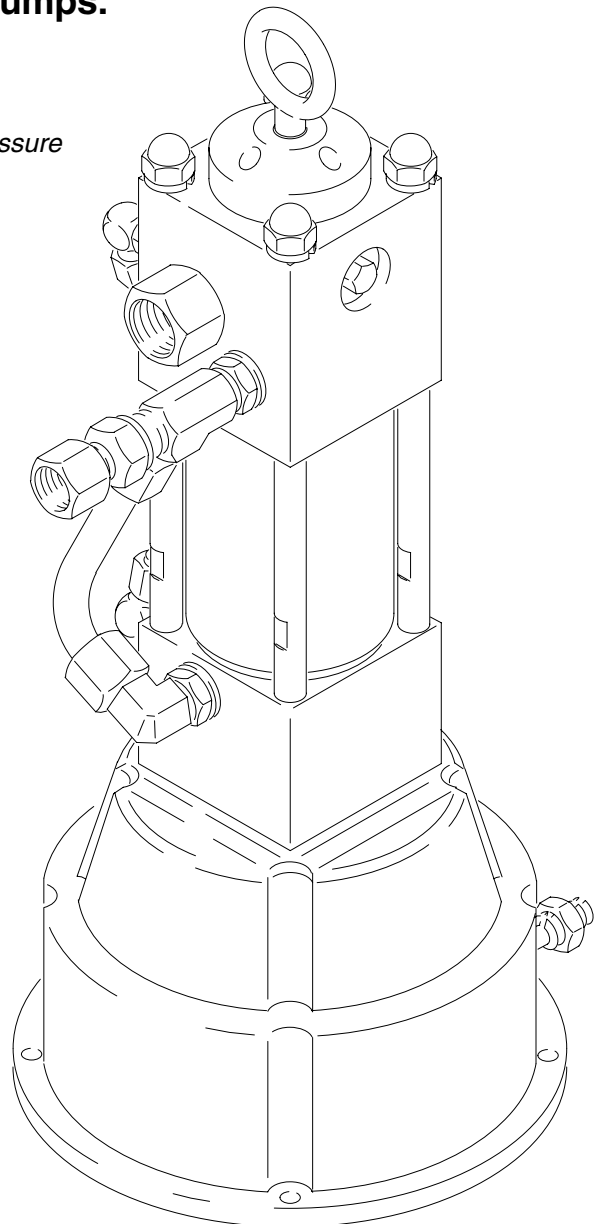


Important Safety Instructions

Read all warnings and instructions in this manual.
Save these instructions.

Table of Contents

Warnings	2
Installation	5
Service	7
Parts	12
Mounting Hole Layout	14
Dimensions	14
Technical Data	15
Warranty	16
Graco Phone Number	16



04471

Symbols

Warning Symbol



This symbol alerts you to the possibility of serious injury or death if you do not follow the instructions.

Notice Symbol



This symbol alerts you to the possibility of damage to or destruction of equipment if you do not follow the corresponding instructions.

WARNING



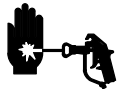
INSTRUCTIONS

EQUIPMENT MISUSE HAZARD

Equipment misuse can cause the equipment to rupture or malfunction and result in serious injury.

- This equipment is for professional use only.
- Read all instruction manuals, tags, and labels before operating the equipment.
- Use the equipment only for its intended purpose. If you are uncertain about usage, call your Graco distributor.
- Do not alter or modify this equipment. Use only genuine Graco parts and accessories.
- Check equipment daily. Repair or replace worn or damaged parts immediately.
- Do not exceed the maximum working pressure stated on the equipment or in the **Technical Data** for your equipment. Do not exceed the maximum working pressure of the lowest rated component in your system.
- Use fluids and solvents which are compatible with the equipment wetted parts. Refer to the **Technical Data** section of all equipment manuals. Read the fluid and solvent manufacturer's warnings.
- Handle hoses carefully. Do not pull on hoses to move equipment.
- Route hoses away from traffic areas, sharp edges, moving parts, and hot surfaces. Do not expose Graco hoses to temperatures above 82°C (180°F) or below -40°C (-40°F).
- Do not move or lift pressurized equipment.
- Wear hearing protection when operating this equipment.
- Comply with all applicable local, state, and national fire, electrical, and safety regulations.

WARNING



SKIN INJECTION HAZARD

Spray from the gun, hose leaks or ruptured components can inject fluid into your body and cause extremely serious injury, including the need for amputation. Fluid splashed in the eyes or on the skin can also cause serious injury.



- Fluid injected into the skin might look like just a cut, but it is a serious injury. **Get immediate surgical treatment.**
- Do not point the gun at anyone or at any part of the body.
- Do not put your hand or fingers over the spray tip.
- Do not stop or deflect leaks with your hand, body, glove or rag.
- Do not “blow back” fluid; this is not an air spray system.
- Always have the tip guard and the trigger guard on the gun when spraying.
- Check the gun diffuser operation weekly. Refer to the gun manual.
- Be sure the gun trigger safety operates before spraying.
- Lock the gun trigger safety when you stop spraying.
- Follow the **Pressure Relief Procedure** on page 7 if the spray tip clogs and before cleaning, checking or servicing the equipment.
- Tighten all fluid connections before operating the equipment.
- Check the hoses, tubes, and couplings daily. Replace worn, damaged, or loose parts immediately. Permanently coupled hoses cannot be repaired; replace the entire hose.
- Use only Graco approved hoses. Do not remove any spring guard that is used to help protect the hose from rupture caused by kinks or bends near the couplings.



MOVING PARTS HAZARD

Moving parts can pinch or amputate your fingers.

- Keep clear of all moving parts when starting or operating the pump.
- Before servicing the equipment, follow the **Pressure Relief Procedure** on page 7 to prevent the equipment from starting unexpectedly.

WARNING



FIRE AND EXPLOSION HAZARD

Improper grounding, poor ventilation, open flames or sparks can cause a hazardous condition and result in a fire or explosion and serious injury.



- Ground the equipment and the object being sprayed. Refer to **Grounding** on page 6.
- If there is any static sparking or you feel an electric shock while using this equipment, **stop spraying immediately**. Do not use the equipment until you identify and correct the problem.
- Provide fresh air ventilation to avoid the buildup of flammable fumes from solvents or the fluid being sprayed.
- Keep the spray area free of debris, including solvent, rags, and gasoline.
- Before operating this equipment, electrically disconnect all equipment in the spray area.
- Before operating this equipment, extinguish all open flames or pilot lights in the spray area.
- Do not smoke in the spray area.
- Do not turn on or off any light switch in the spray area while spraying or while there are any fumes in the air.
- Do not operate a gasoline engine in the spray area.



TOXIC FLUID HAZARD

Hazardous fluid or toxic fumes can cause serious injury or death if splashed in the eyes or on the skin, inhaled, or swallowed.

- Know the specific hazards of the fluid you are using.
- Store hazardous fluid in an approved container. Dispose of hazardous fluid according to all local, state and national guidelines.
- Always wear protective eyewear, gloves, clothing and respirator as recommended by the fluid and solvent manufacturer.

Installation

⚠ WARNING

Maximum Hydraulic Input Pressure

The maximum safe hydraulic input pressure to this motor depends on the pressure rating of the displacement pump to which it is connected.

Refer to the lower manual and the pump manual for the maximum fluid working pressure and the ratio. Never exceed the maximum fluid working pressure of the pump. Serious injury or damage to the equipment may result.

⚠ WARNING

To reduce the risk of serious injury whenever you are instructed to relieve pressure, always follow the **Pressure Relief Procedure** on page 7.

Be sure you always shut off the supply line shutoff valve (E) first, and then the return line shutoff valve. This is to prevent overpressurizing the motor or its seals. When starting up the hydraulic system, open the return line shutoff valve first.

NOTICE

Keep the hydraulic system clean

To reduce the risk of damaging the hydraulic power supply, blow out all hydraulic lines with air, flush thoroughly with solvent, and then blow out with air again before connecting the lines to the motor.

Always plug the hydraulic inlets, outlets and lines when disconnecting them to avoid introducing dirt and other contaminants into the system.

Carefully follow the manufacturer's recommendations on reservoir and filter cleaning, and periodic changes of hydraulic fluid.

NOTICE

Recommended Hydraulic Oil

Use Graco-approved Hydraulic Oil, Part No. 169236 (5 gal) or 207428 (1 gal)) or a premium, ISO grade 46 petroleum-based hydraulic oil containing rust and oxidation inhibitors and anti-wear agents.

Before using any other type of oil in this motor, contact your Graco distributor. Unauthorized use of lesser grade oil or substitutes may void the warranty.

Hydraulic Oil Working Temperature

The recommended hydraulic oil operating temperature is 80–115°F (27–45°C). The motor seals will wear faster and leakage may occur if the pump is operated at higher oil temperatures.

If the hydraulic oil temperature approaches 130°F (54°C), check the hydraulic fluid supply cooling system, filters, etc. and clean or repair as needed.

Refer to the complete pump manual for detailed installation information or contact your Graco distributor.

NOTE: A 1 in. npt seal (7) is supplied in a plastic bag with the motor. Thread the seal onto the threads of your hydraulic return line fitting (A). Thread the fitting into the upper housing (53) and torque as needed. Then tighten the seal (7) against the motor to provide a secure seal. See Fig. 1.

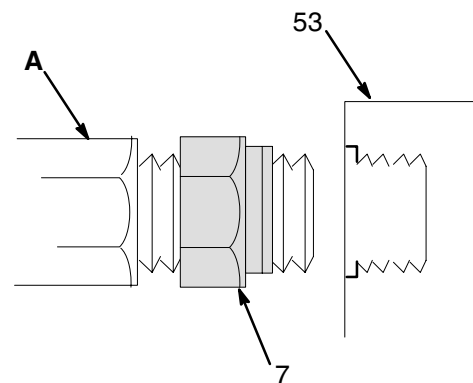


Fig. 1

04467

Installation

Grounding

⚠ WARNING

For your safety, read the **FIRE AND EXPLOSION HAZARD WARNINGS** on page 4, and ground your entire system as instructed below. This section also includes details on how to connect the grounding wire and clamp to the various hydraulic motors.

Proper grounding is an essential part of maintaining a safe system.

To reduce the risk of static sparking, ground the pump. Check your local electrical code for detailed grounding instructions for your area and type of equipment. Be sure to ground all of this equipment:

1. *Pump:* use a ground wire and clamp as shown to the right. Loosen the locknut (A) of the grounding lug and washer. Insert one end of the wire (B) in the grounding lug (14) and tighten the locknut securely. See Fig. 2. Connect the other end of the wire to a true earth ground, as recommended by your local code. Order Part No. 237569, Ground Wire and Clamp.
2. *Hydraulic hoses and fluid outlet hoses:* use only electrically conductive hoses.
3. *Hydraulic power supply and air compressor:* follow manufacturer's recommendations.

4. *Spray gun:* obtain grounding through connection to a properly grounded fluid hose and pump.
5. *Fluid supply container:* according to local code.
6. *Object being sprayed:* according to local code.
7. *Any pails used when flushing:* Use only metal, grounded pails when flushing. Make firm metal-to-metal contact between the metal part of the spray gun and the pail. Use the lowest possible pressure.
8. *To maintain grounding continuity when flushing or relieving pressure,* always hold a metal part of the gun firmly to the side of a grounded metal pail, and then trigger the spray gun.

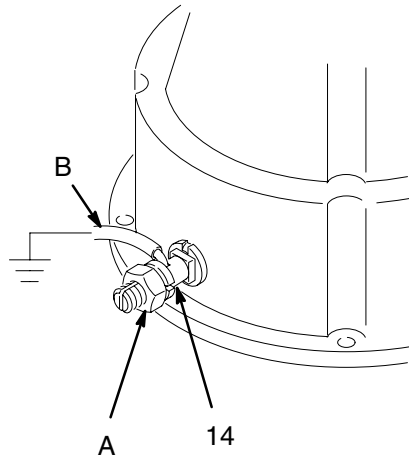


Fig. 2

04468

Service

Pressure Relief Procedure

WARNING



SKIN INJECTION HAZARD

The system pressure must be manually relieved to prevent the system from starting or spraying accidentally. Fluid under high pressure can be injected through the skin and cause serious injury. To reduce the risk of an injury from injection, splashing fluid, or moving parts, follow the **Pressure Relief Procedure** whenever you:

- are instructed to relieve the pressure,
- stop spraying,
- check or service any of the system equipment,
- or install or clean the spray tip.

1. Lock the gun trigger safety.
2. Shut off the hydraulic power supply.
3. Close the supply line shutoff valve, and then the return line shutoff valve.
4. Unlock the gun trigger safety.
5. Hold a metal part of the gun firmly to the side of a grounded metal pail, and trigger the gun to relieve pressure.
6. Lock the gun trigger safety.
7. Open the drain valve (required in your system), having a container ready to catch the drainage.
8. Leave the drain valve open until you are ready to spray again.

If you suspect that the spray tip or hose is completely clogged, or that pressure has not been fully relieved after following the steps above, very slowly loosen the tip guard retaining nut or hose end coupling and relieve pressure gradually, then loosen completely. Now clear the obstruction.

Before you start:

Be sure you have all necessary parts on hand.

1. **Repair Kit 223654** is available. The kit must be purchased separately. An asterisk behind a reference number in the parts list, for example (21*), indicates that the part is included in the repair kit.
2. Clean all parts as you disassemble them and inspect them for wear or damage. Replace parts as necessary. Use Loctite® TL-242 thread sealant, or the equivalent, when thread sealant is specified.

Disassembly (Refer to Fig. 3)

NOTE: Use all the replacement parts that are in the repair kit.

1. Flush the displacement pump if possible.

WARNING

To reduce the risk of serious injury whenever you are instructed to relieve pressure, always follow the **Pressure Relief Procedure** on page 7.

2. **Relieve the pressure.**
3. Stop the pump at the bottom of its stroke.

NOTICE

Avoid getting dust or dirt in the motor during service. Cleanliness is essential when repairing an hydraulic motor.

4. Disconnect the displacement pump hoses. Disconnect the hydraulic hoses and plug all hydraulic connections and lines to prevent contamination.

Service

Disassembly (continued – refer to Fig. 3)

NOTICE

When removing the displacement pump, hold it securely. The pump is heavy and could fall off the motor.

5. Disconnect the displacement pump from the motor, as explained in your separate pump manual.
6. Place the hydraulic motor in a bench vise.
7. Push or lightly tap the piston (30) up as far as possible.
NOTE: The tie rod nuts (19), socket screws (51), cap screws (36), and retainer (34) are fastened with Loctite® TL-242. Heat may be used sparingly to soften adhesive sealant during disassembly.
8. Remove the cap screws (12), the drip pan (16), the drip cover (18), and machine screw (20) *before* loosening the tie rod nuts. Then remove the four tie rod nuts (19). Loosen the nuts (B) on the hydraulic tube (4) and loosen the tie rods (57).
9. Remove the motor from the vise and lay it in a pan.
10. Remove one detent assembly: retaining plug (39), o-ring (41), spring (40), ball guide (42) and ball (43). If the ball or other parts stick in the upper housing (53), turn the motor over and tap lightly. Do not allow the parts to fall into the motor. Repeat the procedure for the other detent assembly.
11. Remove the tie rods (57), but do not remove the crown nuts (44).
12. Remove the socket screws (51) and the end cap (47). Pull the stop plug (48) from the upper housing (53).
13. Unscrew the top and bottom compression nuts (B) on the hydraulic tube (4). Rotate the upper housing (53) and remove the tube, being careful not to damage the flare (A). Allow the oil to drain from the motor into the pan.
NOTE: With the tie rods removed, the assembly may separate at the joints between the cylinder (29) and the upper and lower housings (53 and 25).
14. Rock the upper housing (53) to work it free and lift it about 3 inches off the cylinder (29). The cylinder can stay in the lower housing (25).
15. Hold the trip rod (31) with an adjustable wrench on the flats of the rod, and remove the top hex nut (46) from the trip rod.
16. Remove the upper housing (53).
17. Remove the trip rod guides (37), compression springs (45) and valve spool (38) from the upper housing. Inspect the bearing inside of the guide (35) in place. If bearing is damaged replace item 35.
NOTE: Inspect the trip rod (31) above the shoulder for damage. There must be no reduction in diameter. Replace if necessary.
18. Pull the trip rod and piston from the lower housing (25) and cylinder (29). Place the piston flats (30) in a vise; tighten the vise *on the flats of the piston*. Use a face spanner to remove the retainer (34). Remove the trip rod (31) from the piston (30).
19. Remove the trip rod locknut (27) and piston stop (28). If the piston is replaced, remove the spring (26) to use in the new piston.
20. Remove the bearing (23), packings (24), and o-ring (21).

Service

Reassembly (Refer to Fig. 4)

1. Install the bearing (23*) in the lower housing (25). Lubricate the seals (24*) with hydraulic oil. Install them in the lower housing (25) with the *lips facing up toward the top of the motor*.
2. Install the o-ring (21*) onto the lower housing (25).
3. Place the piston flats in a vise. Install the spring (26) inside the piston (30). The compression rings (32*) must be positioned with the joints about 180° opposed. Be sure the o-ring (17*) is in place.
4. Install the piston stop (28) and locknut (27) on the trip rod. Torque the nut to 117–123 in-lb (13.2–13.9 N.m). Slide the trip rod (31) into the piston (30). Apply thread sealant to the retainer (34) threads. With the piston flats in a vise, tighten the retainer until it is flush or below the piston surface. This is important to prevent the retainer from backing out during operation and damaging the motor.

NOTE: Set base (2) on workbench during reassembly.

5. Install the o-ring (33*) onto the cylinder (29). Install the cylinder (29) into the lower housing (25).
6. Install the trip rod and piston into the cylinder (29) and lower housing (25) so the piston is recessed at least 1 inch (25 mm) from the top of the cylinder.
7. If the bearing and guide (35) was removed, install it on the upper housing (53) with the three screws (36) (apply thread sealant).
8. Hold the flats of the trip rod with an adjustable wrench and install the upper housing (53). The trip rod will protrude from the top.
9. Slide the lower trip rod guide (37) and spring (45) onto the trip rod. Install the spool (38) with the detent at the top. Install the top spring (45) and guide (37) on the trip rod. Install the top hex nut (46). Torque the nut to 82–88 in-lb (9.3–9.9 N.m).

10. Remove the adjustable wrench. Seat the upper housing (53) onto the cylinder (29), so the tube fittings align with those on the lower housing (25).

Reinstall the hydraulic tube (4) and **loosely** tighten the compression nuts.

11. Replace the o-ring (49*) on the stop plug (48). Seat the plug into the upper housing (53).
12. Install the end cap (47), using thread sealant on the socket screws (51).
13. Lubricate the threads of the tie rods (57) and install them with lockwashers (52). If the crown nuts (44) were removed, reinstall them and torque them onto the rods to 70–80 ft-lb (95–108 N.m).
14. Torque tie rods into base, apply thread sealant to tie rod threads, then torque the tie rod nuts (19) to 70–80 ft-lb (95–108 N.m).
15. With the motor on its side, install one detent assembly: the ball (43), guide (42) *with the concave surface toward the ball*, spring (40*), o-ring (41) and retaining plug (39). Torque the plug to 145–160 in-lb (16–18 N.m). Repeat for the other side of the motor.
16. Slide the drip cover (18) onto the piston (30) up to the o-ring (17). Install screw (20) into the piston. Attach the drip pan (16) to the base using screws (12).
17. Snugly tighten the compression nuts on the hydraulic tube (4) and torque to 60–80 ft-lb (81–108 N.m).
18. Install the motor on the displacement pump. Reconnect all fluid lines. Be sure the ground wire is connected before operating the pump.

Service

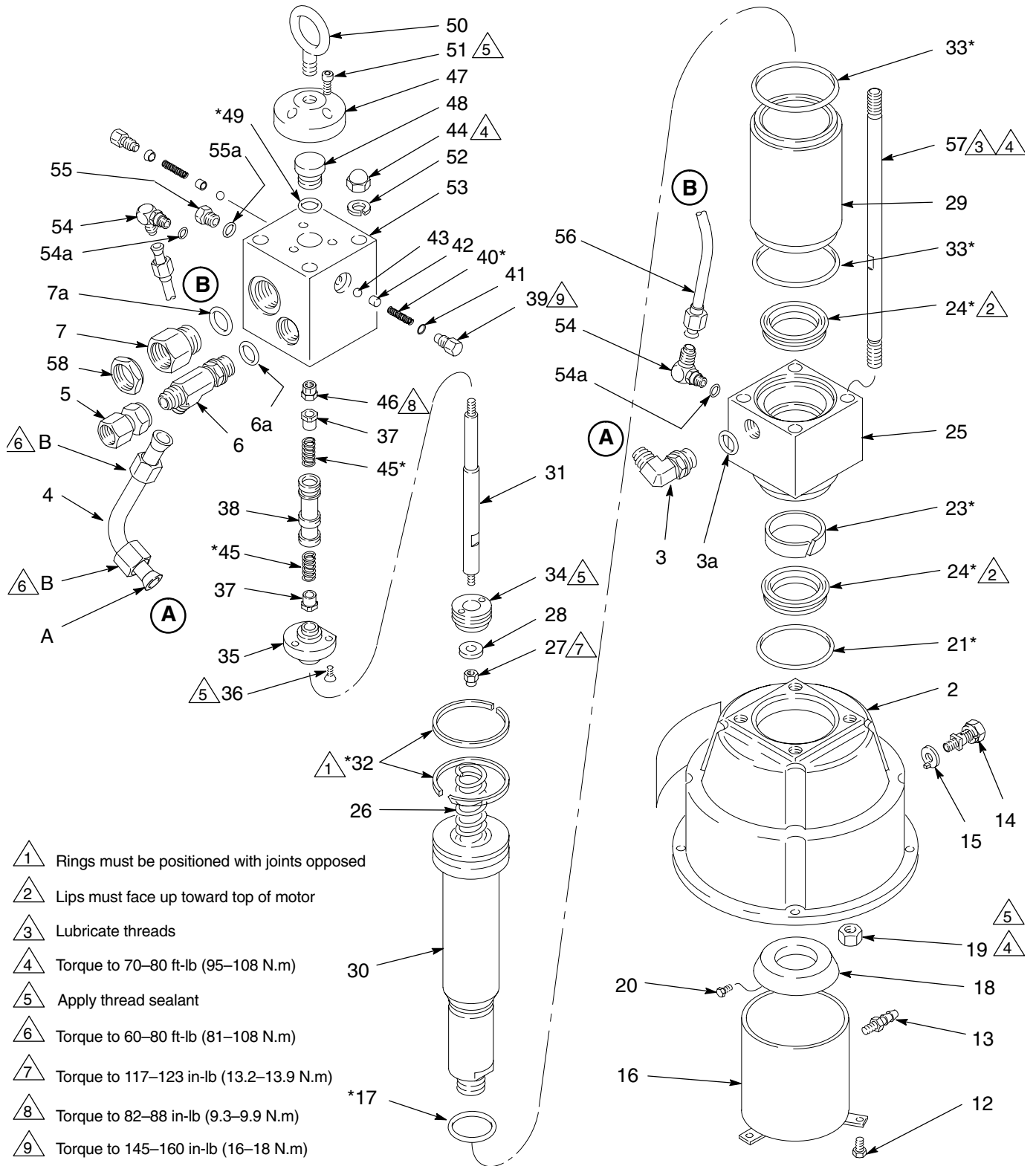


Fig. 4

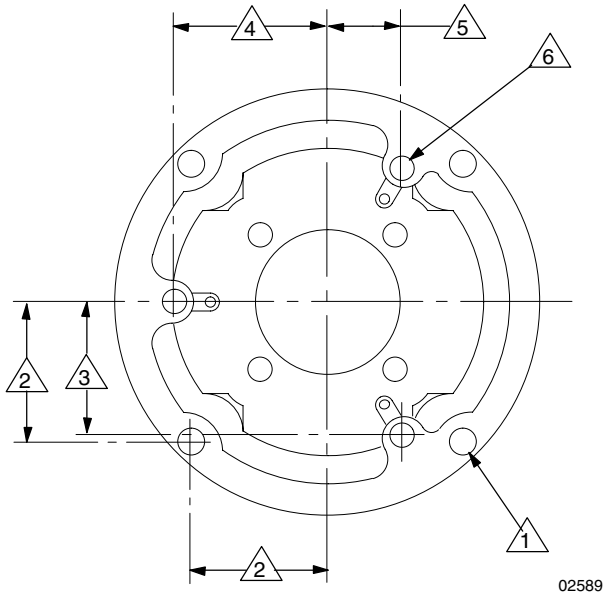
04466

Parts

Model 223646, Series B

Ref. No.	Part No.	Description	Qty.	Ref. No.	Part No.	Description	Qty.
1▲	290331	LABEL, instruction, English	1	33*	166071	O-RING, nitrile rubber	2
2	186221	BASE	1	34	171398	RETAINER	1
3	110797	ELBOW, male, 3/4 npt <i>Includes item 3a</i>	1	35	210292	BEARING and GUIDE	1
3a	110926	.O-RING, nitrile rubber	1	36	108538	SCREW, soc flat hd, self locking, 1/4–20 x 1/2 in.	3
4	210108	TUBE	1	37	183659	GUIDE, trip rod	2
5	112574	ADAPTER, 3/4 npt (f) x 1–1/16–12	1	38	183658	SPOOL, valve	1
6	110791	TEE, 7/8–14 unf–2a x 1 1/16– 12un–2a, 37° flare for 3/4 in. dia. tube, <i>Includes item 6a</i>	1	39	186222	RETAINER, spring	2
6a	110926	.O-RING, nitrile rubber	1	40*	108522	SPRING, helical compression	2
7	110876	ADAPTER, 1 –11-1/2 npt x 1 5/16–12un–2a, <i>Includes item 7a</i>	1	41	110801	O-RING, nitrile rubber	2
7a	110927	.O-RING, nitrile rubber	1	42	167210	GUIDE, ball	2
8	183695	LABEL, identification <i>not shown</i>	1	43	101701	BALL, 1/4 in. dia.	2
9▲	172975	LABEL, warning	1	44	104143	NUT, crown, 5/8–18	4
10	100508	SCREW, type “u” drive, No. 4 x 0.188 in.	4	45*	171411	SPRING, compression	2
11▲	172815	PLATE, warning	1	46	104105	NUT, hex lock, 1/4–20	1
12	100333	SCREW, cap, hex hd; 1/4–20 x .0.5 in.	3	47	180953	CAP, end	1
13	103875	ADAPTER, barbed hose, 1/8 npt x 0.25 in. (6.4 mm) ID hose	1	48	171416	PLUG, stop	1
14	104029	GROUNDING LUG	1	49*	104093	O-RING, nitrile rubber	1
15	104582	WASHER	1	50	108132	RING, lift	1
16	210110	PAN, drip	1	51	101864	CAPSCREW, soc hd, 5/16–18 x 1 in.	3
17*	165295	O-RING, nitrile rubber	1	52	100128	LOCKWASHER, spring, 5/8 in.	4
18	171397	COVER, drip	1	53	186217	HOUSING, upper	1
19	100155	NUT, hex jam, 5/8–18	4	54	110792	ELBOW, 90°, 7/16–20 unf–2a(m) x 9/16–18 unf–2a(m), 37° flare for 3/8 in. dia. tube, <i>Includes item 54a</i>	2
20	101577	SCREW, machine, hex hd; No. 10–20 x 0.375 in.	1	54a	110801	.O-RING, nitrile rubber	2
21*	110800	O-RING, buna–N	1	55	110799	PLUG, 9/16–18 unf–2b, <i>Includes item 55a</i>	1
23*	186223	BEARING, piston, bronze-filled PTFE	1	55a	110925	.O-RING, nitrile rubber	1
24*	110795	SEAL, u-cup, polyurethane	2	56	223608	TUBE, drain	1
25	186218	HOUSING, lower	1	57	171405	ROD, tie	4
26	104664	SPRING, compression	1	58	105430	NUT, seal, 1 in. npt <i>supplied in a plastic bag</i>	1
27	103450	NUT, hex, self-locking, 5/16–18	1	<p>* <i>These parts are also included in Repair Kit 223654, which may be purchased separately.</i></p> <p>▲ <i>Replacement Danger and Warning labels, tags and cards are available at no cost. Label 290331 is also available in the following languages:</i> <i>German (Part No. 290396)</i> <i>French (Part No. 290397)</i> <i>Spanish (Part No. 290398).</i></p>			
28	181243	STOP, piston	1				
29	186219	CYLINDER	1				
30	188087	PISTON	1				
31	171407	ROD, trip	1				
32*	104103	RING, piston, compression	2				

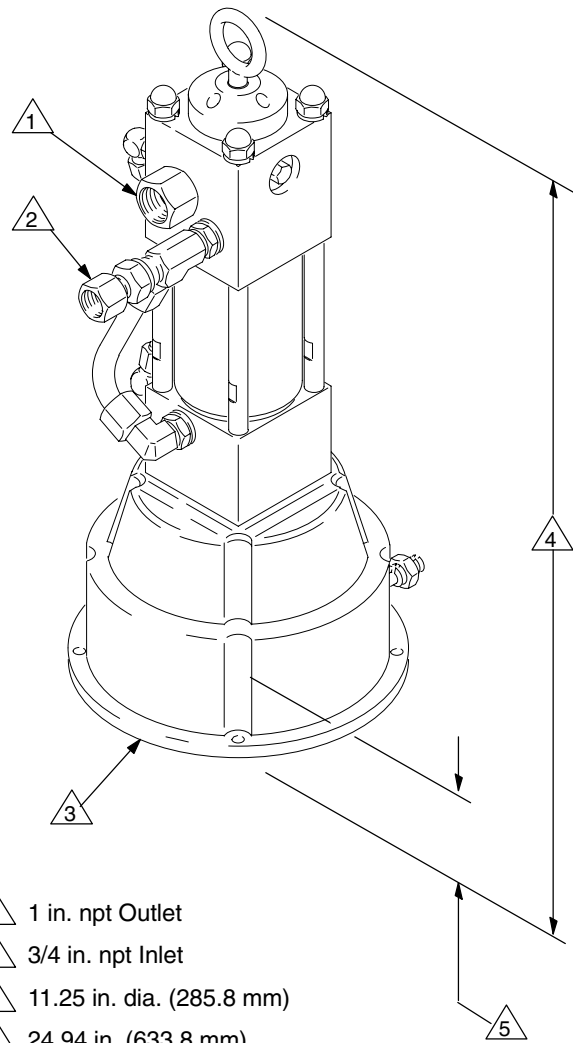
Mounting Hole Layout



02589

- △ 1 Four 0.437 in. (11.1 mm) dia. mounting holes
- △ 2 3.712 in. (9.45 cm)
- △ 3 3.464 in. (8.79 cm)
- △ 4 4.0 in. (9.84 cm)
- △ 5 2.0 in. (5.08 cm)
- △ 6 Three 5/8–11 UNC (2B) tapped holes
- △ 7 Gasket 161806 is not shown. *Order Separately*

Dimensions



- △ 1 1 in. npt Outlet
- △ 2 3/4 in. npt Inlet
- △ 3 11.25 in. dia. (285.8 mm)
- △ 4 24.94 in. (633.8 mm)
- △ 5 1.8 in. to top of 4.69 in. stroke

02631

Technical Data

Category	Data
Maximum hydraulic fluid input pressure	1500 psi (10 MPa, 103 bar). Also see the WARNING on page 5.
Maximum hydraulic fluid flow	12 gpm (45.6 liter/min)
Hydraulic fluid consumption	1 gal. (3.8 liter) per 5 cycles
Effective piston area	4.9 sq. in. (31.6 cm ²)
Piston rod diameter	2.5 in. (64 mm)
Stroke length	4.69 in. (119.1 mm)
Thrust at 1500 psi (10 MPa, 103 bar)	7300 psi (32 472 N)
Weight	approx. 96 lb. (43.5 kg)

Loctite® is a registered trademark of the Loctite Corp.

Sound Data

Hydraulic Pressure	dB(A) at 20 cycles per minute	dB(A) at 30 cycles per minute	dB(A) at 60 cycles per minute
1500 psi (10 MPa, 103 bar)	70	78	79

Graco Warranty and Limitation of Liability

Graco warrants all equipment listed in this manual which is manufactured by Graco and bearing its name to be free from defects in material and workmanship on the date of sale by an authorized Graco distributor to the original purchaser for use. With the exception of any special extended or limited warranty published by Graco, Graco will, for a period of twelve months from the date of sale, repair or replace any part of the equipment determined by Graco to be defective. This warranty applies only when the equipment is installed, operated and maintained in accordance with Graco's written recommendations.

This warranty does not cover, and Graco shall not be liable for general wear and tear, or any malfunction, damage or wear caused by faulty installation, misapplication, abrasion, corrosion, inadequate or improper maintenance, negligence, accident, tampering, or substitution of non-Graco component parts. Nor shall Graco be liable for malfunction, damage or wear caused by the incompatibility of Graco equipment with structures, accessories, equipment or materials not supplied by Graco, or the improper design, manufacture, installation, operation or maintenance of structures, accessories, equipment or materials not supplied by Graco.

This warranty is conditioned upon the prepaid return of the equipment claimed to be defective to an authorized Graco distributor for verification of the claimed defect. If the claimed defect is verified, Graco will repair or replace free of charge any defective parts. The equipment will be returned to the original purchaser transportation prepaid. If inspection of the equipment does not disclose any defect in material or workmanship, repairs will be made at a reasonable charge, which charges may include the costs of parts, labor, and transportation.

Graco's sole obligation and buyer's sole remedy for any breach of warranty shall be as set forth above. The buyer agrees that no other remedy (including, but not limited to, incidental or consequential damages for lost profits, lost sales, injury to person or property, or any other incidental or consequential loss) shall be available. Any action for breach of warranty must be brought within two (2) years of the date of sale.

GRACO MAKES NO WARRANTY, AND DISCLAIMS ALL IMPLIED WARRANTIES OF MERCHANTABILITY AND FITNESS FOR A PARTICULAR PURPOSE IN CONNECTION WITH ACCESSORIES, EQUIPMENT, MATERIALS OR COMPONENTS SOLD BUT NOT MANUFACTURED BY GRACO. These items sold, but not manufactured by Graco (such as electric motors, gas engines, switches, hose, etc.), are subject to the warranty, if any, of their manufacturer. Graco will provide purchaser with reasonable assistance in making any claim for breach of these warranties.

In no event will Graco be liable for indirect, incidental, special or consequential damages resulting from Graco supplying equipment hereunder, or the furnishing, performance, or use of any products or other goods sold hereto, whether due to a breach of contract, breach of warranty, the negligence of Graco, or otherwise.

FOR GRACO CANADA CUSTOMERS

The parties acknowledge that they have required that the present document, as well as all documents, notices and legal proceedings entered into, given or instituted pursuant hereto or relating directly or indirectly hereto, be drawn up in English. Les parties reconnaissent avoir convenu que la rédaction du présente document sera en Anglais, ainsi que tous documents, avis et procédures judiciaires exécutés, donnés ou intentés à la suite de ou en rapport, directement ou indirectement, avec les procédures concernées.

Graco Information

For the latest information about Graco products, visit www.graco.com.

TO PLACE AN ORDER, contact your Graco distributor or call to identify the distributor closest to you:

Phone: 612-623-6921 or **Toll Free:** 1-800-328-0211 **Fax:** 612-378-3505

*All written and visual data contained in this document reflects the latest product information available at the time of publication.
Graco reserves the right to make changes at any time without notice.*

Original instructions. This manual contains English. MM 308048

Graco Headquarters: Minneapolis

International Offices: Belgium, China, Japan, Korea

GRACO INC. P.O. BOX 1441 MINNEAPOLIS, MN 55440-1441

Copyright 1990, Graco Inc. is registered to ISO 9001

www.graco.com

Revised 08/2010

Free Manuals Download Website

<http://myh66.com>

<http://usermanuals.us>

<http://www.somanuals.com>

<http://www.4manuals.cc>

<http://www.manual-lib.com>

<http://www.404manual.com>

<http://www.luxmanual.com>

<http://aubethermostatmanual.com>

Golf course search by state

<http://golfingnear.com>

Email search by domain

<http://emailbydomain.com>

Auto manuals search

<http://auto.somanuals.com>

TV manuals search

<http://tv.somanuals.com>