

# Muskoka®

Cherrington



## ELECTRIC FIREPLACE MANTEL

*with Ornate Styling and Superior Quality Finish*

## MANTEAU DE CHEMINÉE ÉLECTRIQUE

*with Ornate Styling and Superior Quality Finish*

## REPISA DE CHIMENEA ELÉCTRICA

*with Ornate Styling and Superior Quality Finish*

**MM288CH**

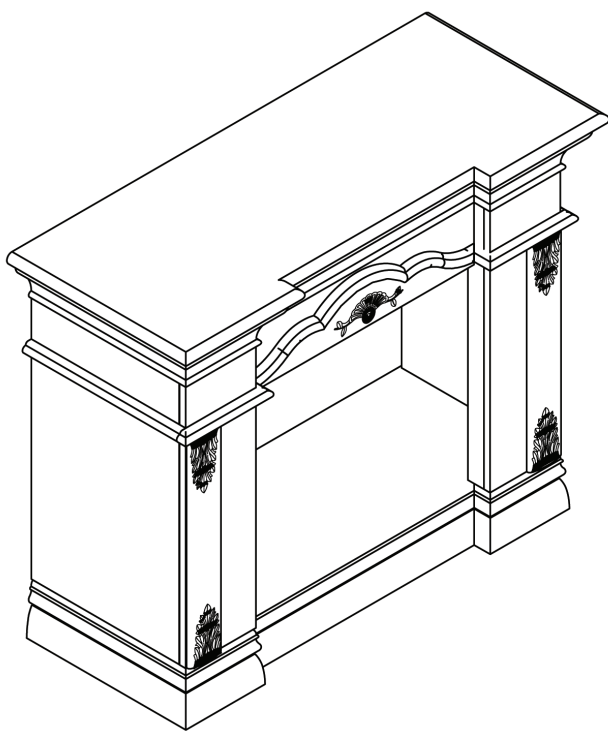
Assembly Instructions  
Instructions d'assemblage  
Instrucciones de montaje



REV01

## TIPS FOR ASSEMBLY OF YOUR NEW MANTEL

- Before you begin assembly, locate the instructions and hardware. Take out all the parts and compare them to the diagrams below. Be sure you have all the parts and can identify them.
- A helping hand is always good: assemble your mantel with an adult assistant if possible. Some pieces are heavy and will need to be held by a helper. Assembly time will be approximately 30-60 minutes.
- Locate a good Phillips-head screwdriver. You may also use an electric screwdriver but be careful not to strip the head of the screw by over tightening them.



**TOP 1 PC**  
288CH.01

**RIGHT SIDE PANEL**  
288CH.02

**BASE 1 PC**  
288CH.03

**FRONT CENTER PANEL 1 PC**  
288CH.04



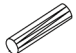

**RIGHT FRONT PANEL 1 PC**  
288CH.05

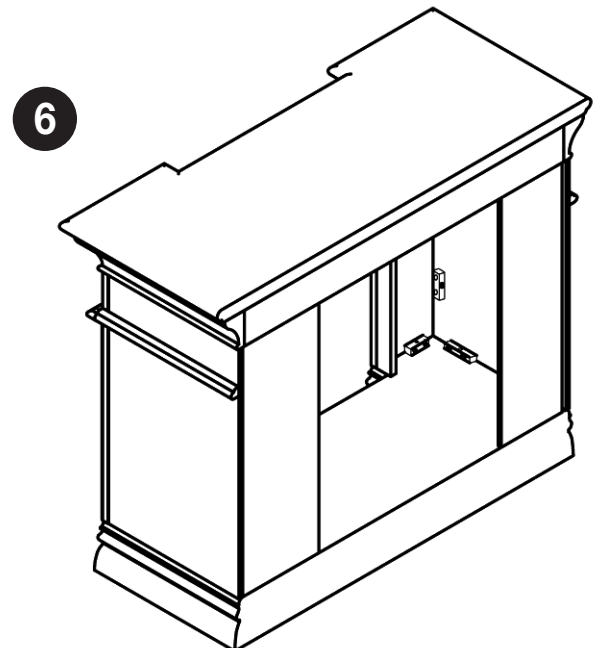
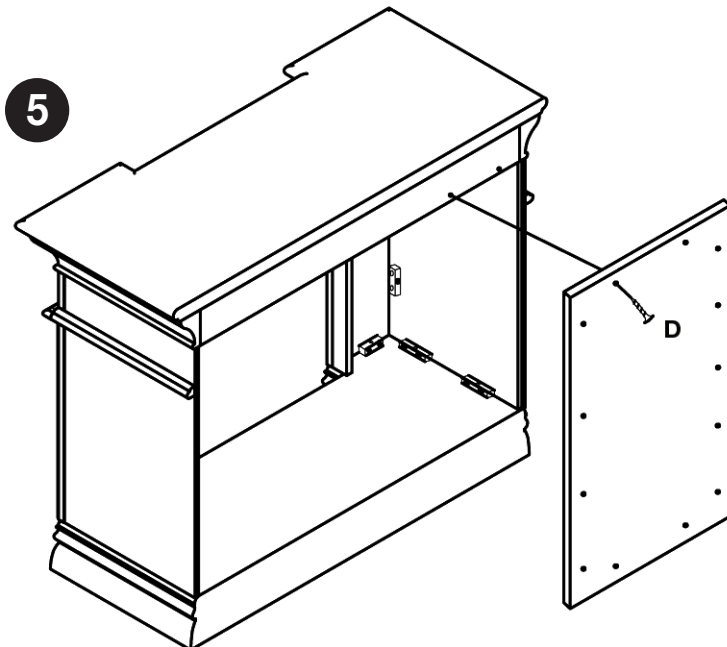
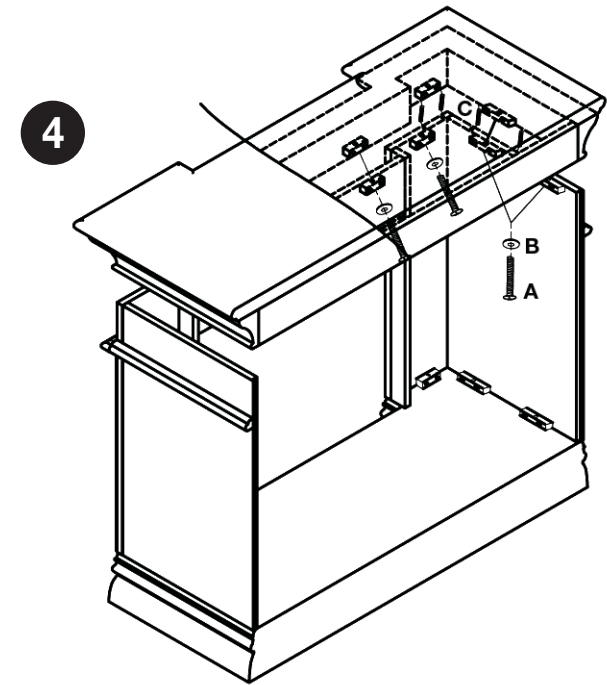
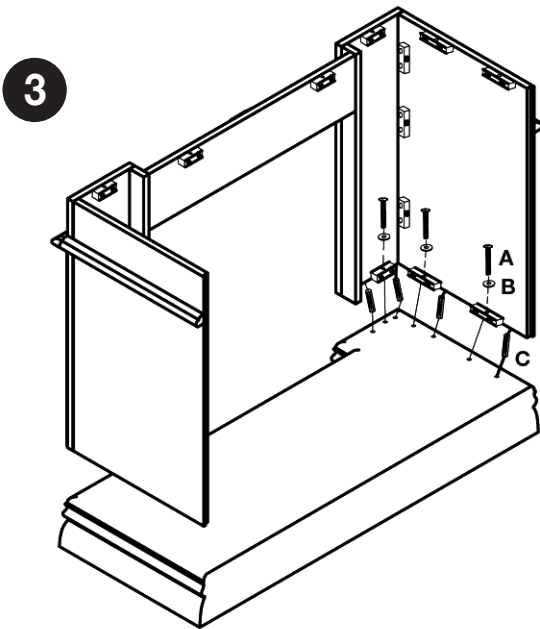
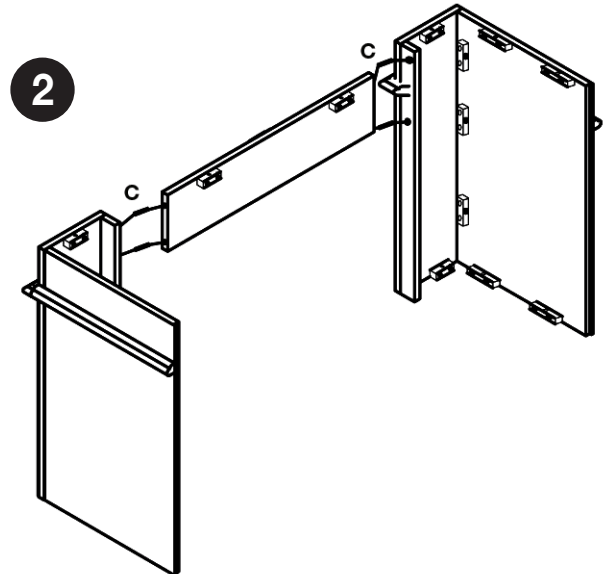
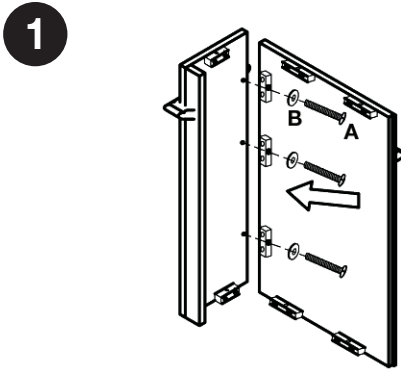
**LEFT SIDE PANEL 1 PC**  
288CH.06

**LEFT FRONT PANEL 1 PC**  
288CH.07

**BACK PANEL 2 PCS**  
288CH.08

### HARDWARE LIST

<b>A</b>	Bolts	20PCS	
<b>B</b>	Flat Washers	20PCS	
<b>C</b>	Wood Dowels	20PCS	
<b>D</b>	Wood Screws	14PCS	



## WARRANTY

Greenway Home Products is pleased to offer in-home warranty repairs. Please refer to your Firebox Use and Care Guide for warranty information on your Firebox.

### DO NOT RETURN THIS PRODUCT TO THE STORE:

Please contact Customer Service at: **1-866-253-0447**

Monday to Thursday from 8:30<sup>AM</sup> to 5:00<sup>PM</sup> (EST), Friday from 8:30<sup>AM</sup> to 4:00<sup>PM</sup> (EST)

Web: [www.greenwayhp.com](http://www.greenwayhp.com)

Email: [support@greenwayhp.com](mailto:support@greenwayhp.com)

**Canada:** 400 Southgate Dr., Guelph, Ontario, Canada, N1G 4P5

**USA:** 6507 Fairfield Dr., Northwood, Ohio, USA, 43619

### Limited Warranty Definitions:

Greenway Home Products: (Greenway)	Manufacturer.
Mantel:	Mantel manufactured by Greenway Home Products.
Purchaser:	Purchaser of the Mantel
Distributor:	Facility authorized to sell Greenway Home Products.
Warranty Card	Greenway Home Products Limited Warranty Registration Card identifying the Purchaser and product model.

### Greenway Limited Warranty:

Greenway warrants to the Purchaser that the Mantel is free from defects in material and workmanship, under normal use and service, for 1 year (1 year limited parts) from the date of purchase.

All warranty repairs must be preauthorized by Greenway Home Products. Greenway will, at its' option, replace or repair free of charge any defective part, which the Purchaser shall notify their Distributor or Greenway Home Products within the warranty period. The obligation of Greenway Home Products under this warranty, is expressly limited to such replacement or repairs.

### The provisions of this limited warranty shall not apply to the following:

1. Accidents.
2. Unauthorized repairs or alterations.
3. Normal maintenance.
4. Changes made to other units manufactured after this mantel was manufactured.
5. Incidental damages caused by failure of the mantel such as inconvenience or loss of use.
6. Improper installation.

The provisions of this limited warranty shall not apply to deterioration due to wear and exposure beyond the following limitations:

1. For 180 days from the date of purchase for exterior finished surfaces.

Due to the properties of natural wood, Greenway Home Products makes no warranty against mineraling of wood components.

**Greenway Limited Warranty is void unless the following conditions are adhered to:**

1. Warranty registration must be completed and returned to a Greenway Home Products.
2. All warranty repairs must be preauthorized by a Greenway repair facility.
3. Greenway reserves the right to inspect defective parts that have been replaced under warranty. Dealer is expected to hold defective parts for 60 days.
4. Only parts and accessories and other material, available through Greenway Home Products are to be used in the performance of warranty service.
5. Purchasers are responsible for presenting/notifying their Distributor as soon a problem exists. The warranty repairs should be completed in a reasonable amount of time from the date of authorization. Not to exceed 30 days past notification.

This limited warranty is expressly in lieu of any other expressed or implied warranty, including any implied warranty or merchantability or fitness for a particular purpose and of any obligations or liabilities on Greenway Home Products which neither assumes nor authorizes any other person to assume for it any other liability in connection with the Mantel manufactured by it.

The warranty is null and void if used in commercial or industrial applications.



## Free Manuals Download Website

<http://myh66.com>

<http://usermanuals.us>

<http://www.somanuals.com>

<http://www.4manuals.cc>

<http://www.manual-lib.com>

<http://www.404manual.com>

<http://www.luxmanual.com>

<http://aubethermostatmanual.com>

Golf course search by state

<http://golfingnear.com>

Email search by domain

<http://emailbydomain.com>

Auto manuals search

<http://auto.somanuals.com>

TV manuals search

<http://tv.somanuals.com>