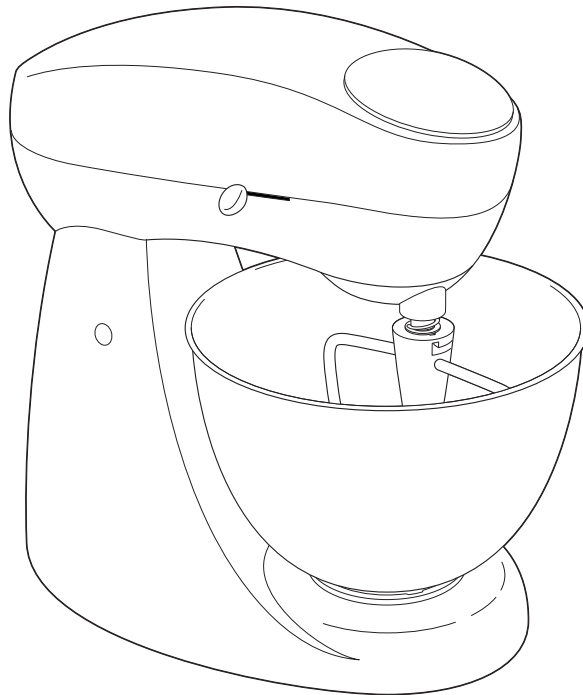


Hamilton Beach®

Stand Mixer



Important Safeguards	2
Parts and Features	3
How to Assemble Your Mixer	4
Using Your Mixer	5
Cleaning Your Mixer	6
Recipes	7
Customer Service	12

In USA: 1-800-851-8900

840117600

IMPORTANT SAFEGUARDS

When using electrical appliances, basic safety precautions should always be observed, including the following:

1. Read all instructions.
2. To protect against risk of electrical shock, do not put the cord, plug, or Mixer body in water or other liquid.
3. Close supervision is necessary when any appliance is used by or near children.
4. Unplug from outlet when not in use, before putting on or taking off parts, and before cleaning.
5. Remove beaters and other attachments from the Mixer before washing.
6. Do not operate any appliance with a damaged cord or plug or after the appliance malfunctions or is dropped or damaged in any manner. Call our toll-free customer service number for information on examination, repair, or electrical or mechanical adjustment.
7. The use of attachments not recommended or sold by the appliance manufacturer for use with this model may cause fire, electric shock or injury.
8. Avoid contacting moving parts. Keep hands, hair, and clothing, as well as spatulas and other utensils, away from beaters during operation to reduce risk of injury to persons, and/or damage to the Mixer.
9. Do not use outdoors.
10. Do not let cord hang over edge of table or counter. Do not let cord contact hot surfaces, including stove.
11. Do not place on or near a hot gas or electric burner, or in a heated oven.
12. Check that control is off before plugging cord into wall outlet. To disconnect, turn control to O/OFF, then remove plug from wall outlet.
13. Do not use appliance for other than intended purpose.

SAVE THESE INSTRUCTIONS

Consumer Safety Information

This appliance is intended for household use only.

This appliance is equipped with a grounded-type 3-wire cord (3-prong plug). This type of plug will only fit into an electrical outlet made for a 3-prong plug. This is a safety feature intended to help reduce the risk of electrical shock. If the plug should fail to fit contact a qualified electrician to replace the obsolete outlet. Do not attempt to defeat the safety purpose of the grounding pin by modifying the plug in any way.

To avoid an electrical circuit overload do not use another high wattage appliance on the same circuit with the mixer.

The length of the cord used on this appliance was selected to reduce the hazards of becoming tangled in, or tripping over a longer cord. If a longer cord is necessary an approved extension cord may be used.

The electrical rating of the extension cord must be equal to or greater than the rating of the mixer. Care must be taken to arrange the extension cord so that it will not drape over the countertop or tabletop where it can be pulled on by children or accidentally tripped over.

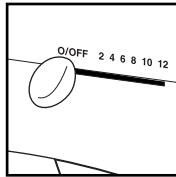
An extension cord should be connected to the appliance first, before it is plugged into the outlet.

Parts and Features

1. Mixer Head

2. Setting Control

Select a setting from 2 to 12.



A higher setting generates in a faster speed.

4. Logo Plate

5. Attachment Shaft

6. Attachments

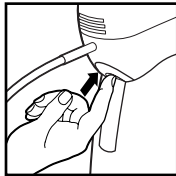
Mixer attachments include a flat beater, a wire whisk, and a dough hook.

7. 4½ Quart Mixing Bowl

8. Bowl Lock

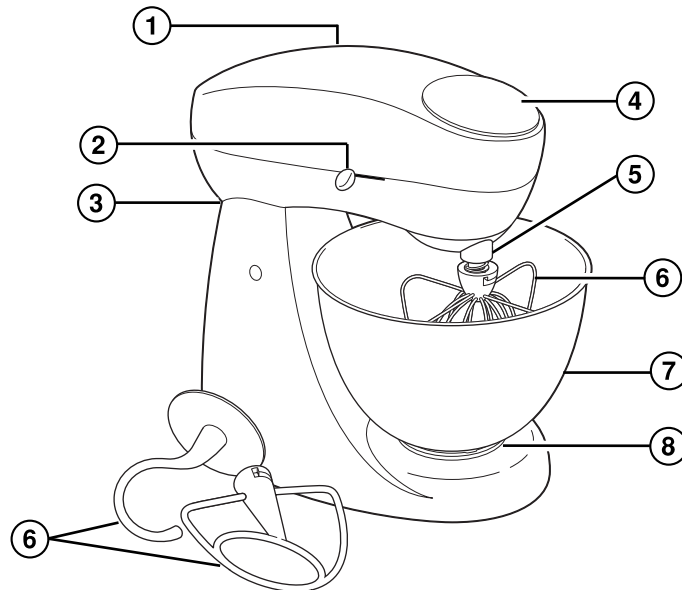
3. Mixer Release Button

This button unlocks the Mixer Head



to raise or lower it. Press up on the button to release the Mixer Head. The Mixer Head should be locked down when mixing.

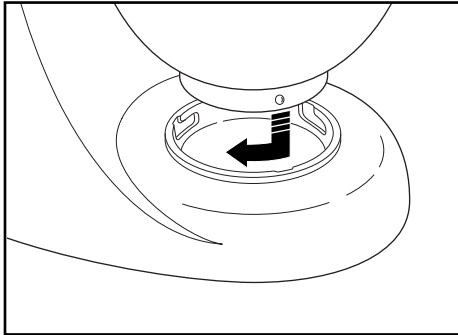
The Mixer Head should be locked in the upright position when adding/removing mixer attachments and bowl.



How to Assemble the Mixer

IMPORTANT: To remove or insert the Bowl or Attachments, the Mixer Head must be raised and locked in the UP position.

To Attach the Bowl



1. Make sure that Setting Control is set to OFF and the Mixer is unplugged.
2. Press the Mixer Release Button and tilt the Mixer Head up.
3. Place Bowl on bowl lock and turn clockwise until Bowl is locked.
4. Plug Mixer into electrical outlet.

To Remove:

1. Make sure that Setting Control is set to OFF and the Mixer is unplugged.
2. Press the Mixer Release Button and tilt the Mixer Head up.
3. Turn Bowl counterclockwise to unlock.

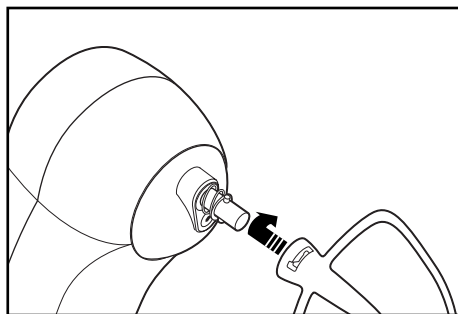
To Attach the Beater, Wire Whisk, or Dough Hook

⚠ WARNING

Injury Hazard

Unplug mixer before inserting or removing beaters.

Unplug mixer before cleaning. Failure to do so can result in broken bones or cuts.



1. Make sure that the Setting Control is set to OFF and the Mixer is unplugged.
2. Press the Mixer Release Button and tilt the Mixer Head up.
3. Insert Attachment onto Beater Shaft and press upward as far as possible.
4. Turn the Attachment to the right, hooking beater over pin on shaft.
5. Plug Mixer into electrical outlet.

Using the Mixer

1. Before first use, wash bowl and attachments in hot, soapy water. Rinse and dry. A clean countertop and clean mixer feet allows the mixer feet to grip the countertop and reduce mixer movement.
2. Make sure the Setting Control is set to OFF and unplugged.
3. Press the Mixer Release Button and tilt the Mixer Head up. Insert an Attachment.
4. Lock Bowl onto the base using the "Bowl Lock" feature.
5. Plug Mixer into electrical outlet. Select desired setting. Prepare recipe according to instructions.
6. When finished, turn Setting Control to OFF. Unplug from outlet.
7. Press the Mixer Release Button and tilt the Mixer Head up.
8. Remove Attachment.

Mixing Guide

The following mixing guide is a suggestion for selecting mixing settings. Begin on setting 2 and increase to desired setting depending on the recipe consistency.

FOOD	ATTACHMENT	SETTING
Cakes (mixes and from scratch)	Flat Beater	4-6
Cookie Dough	Flat Beater	4-6
Mashed Potatoes	Flat Beater	6-8
Frosting	Flat Beater	6-8
Fudge	Flat Beater	4-6
Egg whites (for meringues, etc.)	Whisk	10-12
Whipped Cream	Whisk	12
Instant Pudding	Whisk	2
Bread	Dough Hook	2-4

General Tips

- When mixing thin batters use medium speeds and frequently stop the mixer to scrape the sides of the bowl with a spatula.
- Place liquid ingredients in the bottom of the bowl first and then add dry ingredients.
- Always stay near Mixer during use.
- To begin mixing, use the low setting until the ingredients are thoroughly combined. This will reduce spattering.



Wire Whisk Tips

- A whisk is designed to whip liquids, such as egg whites and cream. Do not use the whisk for mixing thick mixtures such as dough or fudge.
- Your mixer is designed to whisk a minimum of 2 large egg whites or 1 cup of cream. Mixer performance is enhanced as the tip of the whisk is immersed into the liquid. If smaller quantities are needed, a hand mixer is recommended.



Flat Beater Tips

- Use the flat beater attachment to mix cakes, cookie dough, fudge, and potatoes. Cookie dough is one of the thickest doughs to mix. Make it easier by following these tips:
 - Have butter or margarine at room temperature.
 - Add ingredients one at a time, thoroughly mixing after each addition.
 - Add flour one cup at a time.
 - If the mixer seems to struggle, increase the setting.



Dough Hook Tips

- Use the dough hook on settings 2-4 to knead yeast bread recipes.
- For optimum mixer performance, single loaf recipes are recommended.
- Bread can be shaped into any shape and baked in almost any pan. The only thing this affects is the baking time.
- When yeast is dissolved in warm water, the water temperature should be 105° to 115°F. This is usually very warm tap water.
- Bread rises best in a moist, warm environment. For a perfect place to raise bread, place bread in a microwave oven or regular oven with a pan of steaming water. Do not turn oven on, but close the door.
- Knead yeast bread dough until the dough has a satin appearance.
- The dough hook is designed with a weighted balance on the lip to enhance kneading performance.

Cleaning Your Mixer

1. Turn the Setting Control to OFF. Unplug cord from outlet.
2. Press Mixer Release Button and tilt Mixer Head up.
3. To remove Attachment, press the Attachment up as far as possible and then turn to the left. Pull the Attachment off shaft.
4. The Mixer Bowl and Attachments can be washed in hot, soapy water or in a dishwasher.
5. For best results, place the Mixer Bowl in the dishwasher with the top of the bowl facing down.
6. Wipe Mixer Head and Base with a damp cloth.

Recipes

Check our Web site for more recipes.

Cinnamon Raisin Quick Bread

Topping:

2 tablespoons sugar
1 teaspoon cinnamon
1 tablespoon butter

Bread:

2 cups flour
1 cup sugar
2 teaspoons baking powder
½ teaspoon baking soda
1 teaspoon salt
1 teaspoon cinnamon
½ cup raisins
1 cup buttermilk
¼ cup vegetable oil
2 eggs
1 teaspoon vanilla

Preheat oven to 350°F.

Topping: In a small cereal bowl combine sugar, cinnamon, and butter. Mash with a fork until crumbly. Set aside.

Bread: Place dry ingredients and raisins in mixing bowl. Using the flat beater attachment, mix on setting 1 until just mixed (about 10 seconds). Add buttermilk, oil, eggs, and vanilla. Mix on setting 1 until blended then on setting 2 for about 1 minute. Pour batter into a greased 9x5-inch pan. Sprinkle cinnamon topping over batter. Bake for 50 minutes or until tests done with a toothpick. Remove from pan and let cool on rack. **Makes 12 servings.**

Roasted Red Pepper Dip

8-ounces cream cheese, softened
¾ pound Monterey Jack cheese,
shredded
1 cup mayonnaise

7-ounce jar roasted red pepper,
drained and diced
2 tablespoons finely minced onion
2 tablespoons Dijon mustard

Preheat oven to 350°F. Using the flat beater attachment, combine cream cheese, Monterey Jack, and mayonnaise. Mix on setting 3 until blended. Add red pepper, onion, and mustard. Continue to mix on setting 3 until blended. Spoon into a greased, 2-quart baking dish. Bake for 20 minutes or until bubbly. Serve with crackers or thinly sliced baguettes. **Makes 4 cups.**

Chicken 'n Basket

8 ounces cream cheese, softened
1 can chicken, drained
1 small onion, chopped
¼ teaspoon salt
¼ teaspoon pepper

¼ teaspoon tarragon
½ teaspoon parsley flakes
2 cans refrigerated crescent rolls
½ cup Parmesan cheese

Preheat oven to 375°F. With flat beater attachment, mix cream cheese, chicken, onion, salt, pepper, tarragon, and parsley at a medium setting until well blended. Unroll crescent rolls, tear apart, and place on cookie sheet. Spoon mixture onto the center of the dough. Roll starting with the wide end of the dough. Ensure dough covers filling. After all have been assembled, roll in Parmesan cheese and bake for 15 to 18 minutes or until golden brown. **Makes 16 servings.**

Meat-Za-Pie

1 pound lean ground beef	1/3 cup tomato paste
2/3 cup evaporated milk	1 cup cheddar cheese, shredded*
1/2 cup bread crumbs, fine	2 tablespoons of Parmesan cheese
1 teaspoon garlic salt	1/2 teaspoon oregano

Preheat oven to 375°F. With flat beater attachment, mix ground beef, evaporated milk, bread crumbs, and salt on a medium setting until well blended. Spread into 9-inch pie plate. Add a layer of tomato paste, cheese, Parmesan cheese, and oregano. Bake for 30 minutes. **Makes 6 to 8 servings.**

* Or use cheese of your choice.

Savory Twice-Baked Potatoes

3 medium potatoes	1 egg, slightly beaten
4 ounces cream cheese	2 tablespoons chopped onion
4 ounces sharp cheddar cheese, shredded	1 teaspoon chopped parsley
4 tablespoons butter	1/2 teaspoon salt
	1/2 teaspoon pepper

Preheat oven to 400°F. Bake 3 potatoes for 1 hour or until done. While potatoes are still warm, slice lengthwise and scoop potato out of skin. With flat beater attachment, mix the potatoes, cream cheese, cheddar cheese, and butter at a low setting until smooth. Add remaining ingredients and mix at a medium setting until well blended. Spoon mixture into the potato skins, place on cookie sheet and bake for 30 minutes or until peaks are golden brown. **Makes 6 servings.**

Decorator's "Buttercream" Icing

1 cup solid vegetable shorting	1/2 teaspoon butter extract
2 tablespoons water	4 cups sifted confectioners sugar
1 teaspoon vanilla extract	2 tablespoons light corn syrup

In the bowl, combine shortening, water, and vanilla. With the flat beater attachment, mix at a low setting until well blended. With the mixer on a medium setting, add sugar, one cup at a time. Add corn syrup and mix at high setting until frosting is light and fluffy. (If pure white icing is desired, use clear vanilla and a tiny drop of blue food coloring.) **Makes 3 cups.**

- For chocolate icing, add 3/4 cup of cocoa and 2 additional tablespoons of water.
- Use paste food coloring to tint the icing.
- For a thinner consistency icing, add 2 to 3 additional tablespoons of corn syrup.

Creamy Peanut Butter Pie

1 cup butter	9-inch graham crust
1 cup brown sugar, packed	2 ounces semi-sweet baking chocolate
1 cup peanut butter	2 tablespoons butter
12-ounce container frozen whipped topping, thawed	1 tablespoon milk

In a medium saucepan, combine 1 cup butter and brown sugar. Cook over medium heat until butter is melted and mixture is smooth, stirring frequently. Refrigerate 10 minutes. Using the flat beater attachment, beat peanut butter and brown sugar mixture at setting 4 until blended. Increase speed and beat one minute at setting 8. Reduce to setting 1 and add whipped topping; beat one additional minute. Pour into graham crust and refrigerate. In a small saucepan over low heat, melt chocolate, 2 tablespoons butter, and milk. Stir constantly until smooth. Cool slightly then spread over top of pie. Refrigerate for several hours or overnight before serving. **Makes one 9-inch pie, cut into 8 servings.**

Angel Food Cake

1¼ cups confectioners sugar	1½ teaspoons of cream of tarter
1 cup cake flour	½ teaspoon salt
1½ cups egg whites, at room temperature (12 to 14 eggs)	1¼ cup sugar
	2½ teaspoons vanilla

Preheat oven to 375°F. In a small bowl, mix confectioners sugar and cake flour; set aside. In the mixing bowl, mix egg whites and cream of tarter until soft peak forms. Add salt, reduce to medium setting and gradually add sugar. Mix on highest setting until sugar is dissolved and stiff peaks form. With rubber spatula, fold in flour mixture and extracts just until they disappear. Pour mixture into an ungreased 10-inch tube pan. Bake 30-35 minutes until cake springs back when lightly touched. Invert cake in pan on bottle. Cool completely. Loosen side of cake from pan to remove.

Pineapple Cream Cake

8 ounces cream cheese, softened	3.4-ounce package instant vanilla pudding
15-ounce can crushed pineapple, undrained	½ cup vegetable oil
18.25-ounce package yellow cake mix	3 eggs

Preheat oven to 350°F. In the mixing bowl, use the flat beater attachment to combine cream cheese and pineapple on speed 2. Add cake mix, pudding, oil, and eggs. Mix on setting 2 until mixed, then on speed 4 for 2 minutes. Pour batter into greased tube or Bundt pan. Bake for 1 hour or until tests done. Let cool in pan 10 minutes then remove and let cool. **Makes 12 servings.**

Applesauce Cake

18.25-ounce package yellow cake mix	¼ cup vegetable oil
3.4-ounce package instant vanilla pudding	1½ teaspoon cinnamon
4 eggs	½ teaspoon nutmeg
1 cup applesauce	1 cup raisins (optional)
½ cup water	

Preheat oven to 350°F. In bowl, combine cake mix, pudding mix, eggs, applesauce, water, oil, cinnamon, and nutmeg with flat beater for one minute on low setting and then three minutes on medium setting. Stir in raisins. Spread batter in a greased and floured Bundt pan. Bake for 60 minutes or until done.

Magic Cookies

1 cup butter	½ teaspoon baking powder
1 cup sugar	½ teaspoon salt
1 cup light brown sugar	2 cups oatmeal
2 eggs	1 tablespoon vanilla
2 cups flour	12 ounces chocolate chips
1 teaspoon baking soda	1½ cups coconut

Preheat oven to 350°F. With flat beater attachment, cream together butter, sugar, and brown sugar at a medium setting until well blended. Mix in vanilla and eggs. Reduce speed and gradually add flour, baking soda, baking powder, and salt mix until smooth. On a low setting, mix in oatmeal, chocolate chips, and coconut until well mixed. Drop rounded spoon full onto ungreased cookie sheet. Bake on middle rack of oven for 12 to 14 minutes. **Makes 3 dozen cookies.**

Brownie Cookies

⅔ cup shortening	1½ cups flour
1½ cups brown sugar, packed	⅓ cup unsweetened baking cocoa
1 tablespoon water	¼ teaspoon baking soda
1 teaspoon vanilla	½ teaspoon salt
2 eggs	12 ounces semi-sweet chocolate chips

Preheat oven to 375°F. With flat beater, cream shortening and brown sugar on medium setting until blended. Add water, vanilla, and eggs and mix. Add flour, cocoa, baking soda, and salt and beat at a medium setting until thoroughly mixed. Stir in chocolate chips on low setting. Drop tablespoons of dough on ungreased baking sheets. Bake 7 to 9 minutes. Do not overcook. **Makes 36 cookies.**

“Soft” Peanut Butter Cookies

½ cup vegetable shorting	1 teaspoon vanilla
½ cup peanut butter	¾ teaspoon salt
1¼ cup light brown sugar	1½ cups flour
1 egg	1 teaspoon baking soda

Preheat oven to 275°F. Using the flat beater attachment, beat shortening, peanut butter, brown sugar, egg, and vanilla at a medium setting until well blended. Reduce speed to low and gradually add dry ingredients until blended. Dough will be crumbly. Roll 3 tablespoon-size portions of the dough into a ball. Place on ungreased cookie sheet. Press to ½-inch thick. Bake 18 to 20 minutes. Do not overcook. **Makes 16 cookies.**

Divinity Fudge

⅔ cup warm water	2 egg whites
3 cups sugar	¼ teaspoon salt
½ cup light corn syrup	

Combine water, sugar and corn syrup in saucepan. Stir thoroughly. Cook over medium heat, stirring continuously, until the syrup mixture reaches 255°F. Remove from heat. Beat egg whites until very stiff. Carefully pour the syrup mixture slowly over the whites, mixing at a low speed until completely combined. Increase mixer speed to speed 4 and continue to beat mixture until it loses glassy appearance. Turn into an 8x8-inch buttered pan or drop by teaspoonfuls on to wax paper.

Optional: Chopped or whole pecans, vanilla flavoring, shaved chocolate, flaked coconut.

Pet Treats

1 cup oatmeal	¼ cup powdered milk
⅓ cup or margarine	¾ cup cornmeal
1¼ cups hot water	1 egg, beaten
¼ cup meat or tuna fish juice (bullion may also be used)	3 cups whole wheat flour

Preheat oven to 350°F. Pour hot water over oatmeal and margarine and let stand 5 minutes. With the dough hook attachment, mix in meat juice, powdered milk, cornmeal, and egg. Add and mix in the flour 1 cup at a time. After all three cups of flour have been added, knead dough for 3 minutes, adding more flour if necessary. Dough should be very stiff. Pat or roll dough to ½-inch thickness and cut into desired size. Place on a greased cookie sheet. Bake 50 minutes. Allow to dry until hard. **Makes 2 pounds of treats.**

Customer Service

If you have a question about your mixer, call our toll-free customer service number. Before calling, please note the model, type, and series numbers and fill in that information below. These numbers can be found on the bottom of your mixer. This information will help us answer your question much more quickly.

MODEL: _____ **TYPE :** _____ **SERIES:** _____

LIMITED WARRANTY

This product is warranted to be free from defects in material and workmanship for a period of two (2) years for Hamilton Beach Portfolio products or one (1) year for Hamilton Beach products from the date of original purchase, except as noted below. During this period, we will repair or replace this product, at our option, at no cost. THE FOREGOING WARRANTY IS IN LIEU OF ANY OTHER WARRANTY, WHETHER EXPRESS OR IMPLIED, WRITTEN OR ORAL INCLUDING ANY WARRANTY OF MERCHANTABILITY OR FITNESS FOR A PARTICULAR PURPOSE. ANY LIABILITY IS EXPRESSLY LIMITED TO AN AMOUNT EQUAL TO THE PURCHASE PRICE PAID, AND ALL CLAIMS FOR SPECIAL, INCIDENTAL AND CONSEQUENTIAL DAMAGES ARE HEREBY EXCLUDED. There is no warranty with respect to the following, which may be supplied with this product: glass parts, glass containers, cutter/strainer, blades, and/or agitators. This warranty extends only to the original consumer purchaser and does not cover a defect resulting from abuse, misuse, neglect, use for commercial purposes, or any use not in conformity with the printed directions. This warranty gives you specific legal rights, and you may also have other legal rights which vary from state to state, or province to province. Some states or provinces do not allow limitations on implied warranties or special, incidental or consequential damages, so the foregoing limitations may not apply to you.

If you have a claim under this warranty, DO NOT RETURN THE APPLIANCE TO THE STORE! Please call our CUSTOMER SERVICE NUMBER. (For faster service please have model, series, and type numbers ready for operator to assist you.)

CUSTOMER SERVICE NUMBER

In the U.S. 1-800-851-8900

www.hamiltonbeach.com

KEEP THIS NUMBER FOR FUTURE REFERENCE!

HAMILTON BEACH ♦ PROCTOR-SILEX, INC.

263 Yadkin Road, Southern Pines, North Carolina 28387

PROCTOR-SILEX CANADA, INC.

Picton, Ontario K0K 2T0

840117600

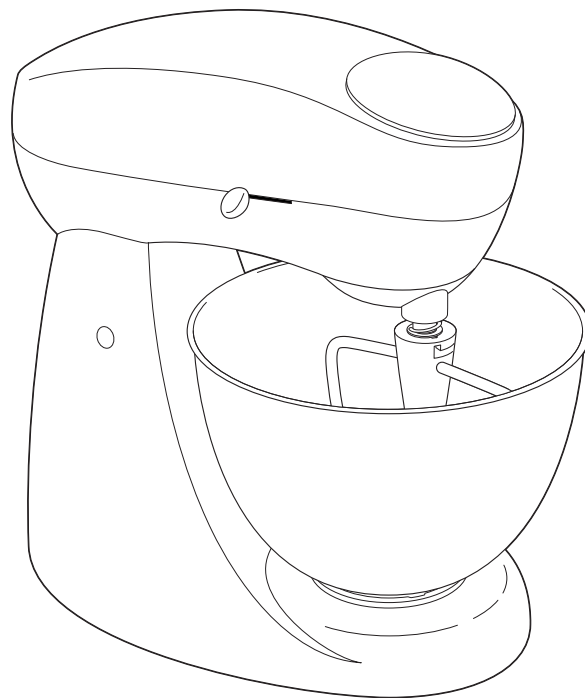
www.hamiltonbeach.com

6/03

12

Hamilton Beach®

Batidora de pedestal



Salvaguardias importantes	2
Piezas y características	3
Cómo ensamblar la batidora	4
Cómo usar su batidora	5
La limpieza de su batidora	6
Recetas	7
Asistencia al cliente	12
En los Estados Unidos 1-800-851-8900	

840117600

SALVAGUARDIAS IMPORTANTES

Cuando use aparatos eléctricos, es importante seguir todas las precauciones de seguridad que incluyen lo siguiente:

1. Lea todas las instrucciones.
2. Para protegerse contra el riesgo de choque eléctrico, no sumerja el cable, el enchufe ni el cuerpo de la batidora en agua ni en ningún otro líquido.
3. Es necesario que haya buena supervisión cuando los niños utilicen aparatos o cuando éstos se estén utilizando cerca de niños.
4. Desenchúfela del tomacorriente cuando no la esté usando, antes de colocar o sacar alguna pieza y antes de la limpieza.
5. Saque las espas y otros accesorios de la batidora antes de lavarlos.
6. No opere ningún aparato eléctrico si el cable o el enchufe están averiados, después de un mal funcionamiento del aparato, o si éste se ha caído o averiado de alguna forma. Llame a nuestro número gratuito de servicio al cliente, para obtener información sobre el examen, la reparación o el ajuste eléctrico o mecánico.
7. El uso de accesorios no recomendados ni vendidos por el fabricante de electrodomésticos para usar con este modelo puede causar incendio, choque eléctrico o lesiones.
8. Evite todo contacto con piezas móviles. Mantenga las manos, el cabello y la ropa, así como las espátulas y otros utensilios lejos de las espas durante la operación para reducir el riesgo de lesiones a personas y/o averías de la batidora.
9. No la use al aire libre.
10. No deje que el cable cuelgue sobre el borde de una mesa o de un mostrador, o que toque alguna superficie caliente, incluyendo la superficie de una estufa.
11. No la coloque sobre un quemador a gas o eléctrico caliente ni cerca de uno, ni dentro de un horno caliente.
12. Verifique que el control esté en la posición apagada antes de conectar el cable al tomacorriente de pared. Para desconectar, coloque el control en O/OFF (Apagado) y luego saque el enchufe del tomacorriente de pared.
13. No use el aparato para ningún otro fin que no sea el indicado.

¡GUARDE ESTAS INSTRUCCIONES!

Información para la seguridad del consumidor

Este aparato ha sido diseñado solamente para uso doméstico.

Este aparato viene equipado con un cable de 3 terminales conectado a tierra (enchufe de 3 terminales). Este tipo de enchufe encajará solamente en un tomacorriente hecho para un enchufe de 3 terminales. Esta es una propiedad de seguridad destinada a reducir el riesgo de choque eléctrico. Si el enchufe no encaja en el tomacorriente, comuníquese con un electricista competente para cambiar el tomacorriente obsoleto. No trate de hacer caso omiso del propósito de seguridad de la clavija de tierra modificando el enchufe de alguna manera.

Para evitar una sobrecarga en el circuito eléctrico, no use ningún otro aparato de alto

voltaje en el mismo circuito que la batidora.

El largo del cable usado con este aparato fue seleccionado para reducir los riesgos de enredarse o tropezarse con un cable más largo. Si se necesita un cable más largo, se puede usar un cable eléctrico de extensión aprobado. La clasificación nominal eléctrica del cable de extensión deberá ser igual o mayor que la de la batidora. Debe tenerse cuidado para arreglar el cable de extensión de manera que no cuelgue sobre el borde de la mesa o mostrador, donde pueda ser jalado por los niños o donde alguien pudiese tropezarse con él accidentalmente.

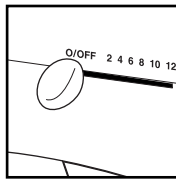
Un cable de extensión deberá conectarse primero al aparato, antes de ser enchufado en el tomacorriente.

Piezas y características

1. Cabeza de la batidora

2. Control de ajuste

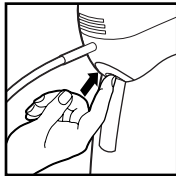
Seleccione un ajuste de 2 a 12.



Un ajuste más alto produce una velocidad más rápida.

3. Botón para desprender la batidora

Este botón destraba la cabeza de la batidora para levantarla o bajarla.



Presione hacia arriba el botón para desprender la cabeza de la batidora. La cabeza de la

batidora debe estar fija hacia abajo cuando se está batiendo. La cabeza de la batidora debe estar fija en la posición hacia arriba cuando se añaden/sacan accesorios y el tazón.

4. Eje de acoplamiento

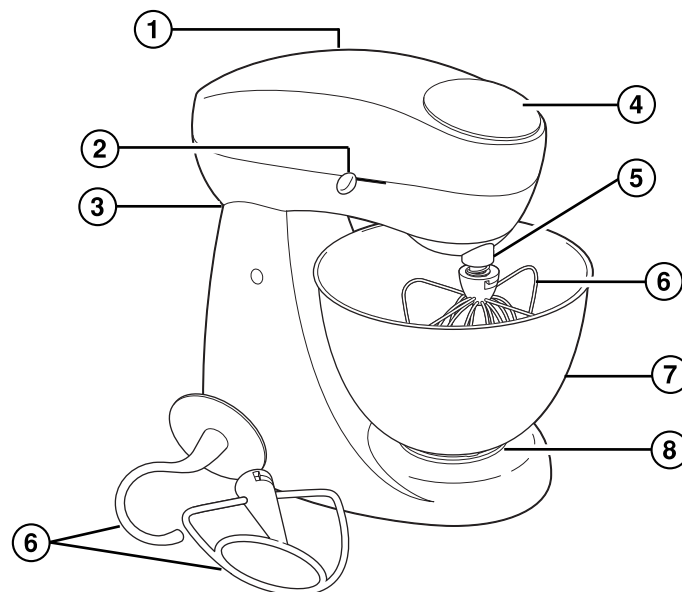
5. Accesorios

Los accesorios de la batidora incluyen un aspa plana, un aspa de alambre y un gancho para masa.

6. Tazón para mezclar de 4,5 cuartos o 4,3 L

7. Traba del tazón

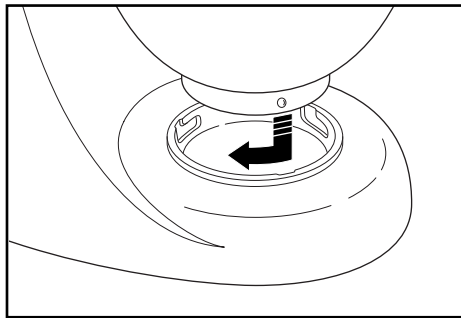
8. Placa con logotipo



Cómo ensamblar la batidora

IMPORTANTE: Para quitar o colocar el tazón o los accesorios, la cabeza de la batidora debe levantarse y estar fija en la posición hacia arriba.

Cómo sujetar el tazón



1. Asegúrese de que el control de ajuste esté fijo en O/OFF (Apagado) y que la batidora esté desenchufada.
2. Presione el botón para desprender la batidora e incline la cabeza de la batidora hacia arriba.

3. Coloque el tazón en la traba del tazón y gírelo hacia la derecha hasta que encaje en su lugar.

4. Enchufe la batidora en un tomacorriente.

Para quitar:

1. Asegúrese de que el control de ajuste esté fijo en O/OFF (Apagado) y de que la batidora esté desenchufada.
2. Presione el botón para desprender la batidora e incline hacia arriba la cabeza de la batidora.
3. Gire el tazón hacia la izquierda para destrabarlo.

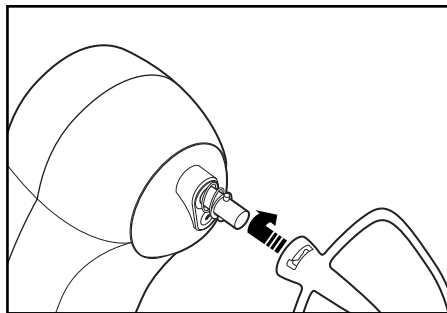
Para sujetar el aspa, el aspa de alambre o el gancho para masa

ADVERTENCIA

Peligro de lesiones

Desenchufe la batidora antes de insertar o quitar las aspas.

Desenchufe la batidora antes de la limpieza. El no seguir estas instrucciones puede resultar en fractura de huesos o cortaduras.



4

1. Asegúrese de que el control de ajuste esté fijo en O/OFF (Apagado) y de que la batidora esté desenchufada.
2. Presione el botón para desprender la batidora e incline la cabeza de la batidora hacia arriba.
3. Inserte el accesorio en el eje del aspa y presione hacia arriba tan lejos como le sea posible.
4. Gire el accesorio hacia la derecha, enganchando el aspa sobre el enganche del eje.
5. Enchufe la batidora en el tomacorriente.

Cómo usar su batidora

1. Antes de usarla por primera vez, lave el tazón y los accesorios en agua caliente y jabonosa. Enjuague y seque. El mostrador y los pies de la batidora limpios permiten que la batidora se agarre al mostrador, disminuyendo el movimiento de ésta.
2. Asegúrese de que el control de ajuste esté fijo en O/OFF (Apagado) y de que la batidora esté desenchufada.
3. Presione el botón para desprender la batidora e incline la cabeza de la batidora hacia arriba. Inserte un accesorio.
4. Trabe el tazón en la base usando la opción "Traba del tazón".
5. Enchufe la batidora en el tomacorriente y seleccione el ajuste deseado. Prepare la receta según las instrucciones.
6. Cuando haya terminado, gire el control de ajuste a O/OFF (Apagado). Desenchufe del tomacorriente.
7. Presione el botón para desprender la batidora e incline la cabeza de la batidora hacia arriba.
8. Quite el accesorio.

Guía para batir

La siguiente guía para batir es una sugerencia para seleccionar los ajustes de batido. Comience en el ajuste 2 y aumente hacia el ajuste deseado, según la consistencia que indique la receta.

ALIMENTO	ACCESORIO	AJUSTE
Pasteles (mezclas comerciales y caseras)	Aspa plana	4-6
Masa para galletas	Aspa plana	4-6
Puré de papas	Aspa plana	6-8
Glaseado	Aspa plana	6-8
Fudge/Caramelo	Aspa plana	4-6
Claras de huevo (para merengues, etc.)	Aspa de alambre	10-12
Crema batida	Aspa de alambre	12
Budín instantáneo	Aspa de alambre	2
Pan	Gancho para masa	2-4

Consejos generales

- Cuando esté batiendo pastas poco espesas, use velocidades medias y detenga frecuentemente la batidora para raspar los lados del tazón con una espátula.
- Coloque los ingredientes líquidos en el fondo del tazón primero, y luego agregue los ingredientes secos.
- Siempre quédese cerca de la batidora durante el uso.
- Para comenzar a batir, use el ajuste bajo hasta que los ingredientes estén completamente mezclados. Esto reducirá las salpicaduras.



Consejos para el aspa de alambre

- El aspa de alambre está diseñada para batir líquidos como claras de huevos y crema. No use el aspa de alambre para batir mezclas espesas como masa o fudge/caramelo.
- Su batidora está diseñada para batir un mínimo de 2 claras de huevo grandes o 1 taza de crema. El funcionamiento de la batidora mejora cuando la punta del aspa se sumerge en el líquido. Si se necesitan cantidades menores, se recomienda una batidora de mano.



Consejos para el aspa plana

- Use el aspa plana para mezclar los pasteles, la masa de galletas, fudge/caramelo, y papas. La masa de galletas es una de las masas más espesas para mezclar. Haga esta tarea más fácil siguiendo los siguientes consejos:
- La mantequilla o la margarina deben estar a temperatura ambiente.
- Agregue los ingredientes uno por uno y mezcle bien después de cada adición.
- Agregue harina una taza por vez.
- Si la batidora parece hacer mucha fuerza, aumente el ajuste.



Consejos para el gancho para masa

- Use el gancho para masa en los ajustes 2-4 para amasar recetas de pan con levadura.
- Para un batido óptimo, se recomiendan recetas para una sola hogaza de pan.
- Puede darle al pan cualquier forma y hornearlo en cualquier molde. Lo único que se afectará será el tiempo de horneado.
- Cuando disuelva la levadura en agua tibia, la temperatura del agua deberá ser de 105° a 115°F. Generalmente, ésta es el agua del grifo bastante tibia.
- El pan crecerá mejor en un ambiente tibio y húmedo. Para obtener el mejor lugar para dejar que el pan crezca, colóquelo en un horno de microondas o común con un molde de agua humeante. No encienda el horno, pero cierre la puerta.
- Amase la masa de pan con levadura hasta que ésta tenga una apariencia satinada.
- El gancho para masa está diseñado con una carga de peso balanceada en el borde para un mejor desempeño en el amasado.

La limpieza de su batidora

1. Gire el control de ajuste a O/OFF (Apagado). Desenchufe el cable del tomacorriente.
2. Presione el botón para desprender la batidora e incline la cabeza de la batidora hacia arriba.
3. Para quitar un accesorio, presiónelo hacia arriba tanto como le sea posible, y luego gírelo hacia la izquierda. Jale el accesorio del eje.
4. El tazón y los accesorios de la batidora pueden lavarse en agua caliente y jabonosa, o en una lavavajillas.
5. Para mejores resultados, coloque el tazón de batido en el lavavajillas con la parte superior hacia abajo.
6. Limpie la cabeza y la base de la batidora con un paño húmedo.

Recetas

Pan rápido de pasas y canela

Baño:

2 cucharadas azúcar
1 cucharadita canela
1 cucharada mantequilla

Pan:

2 tazas de harina
1 taza de azúcar
2 cucharaditas polvo de hornear
½ cucharadita bicarbonato de soda
1 cucharadita sal
1 cucharadita canela
½ taza pasas
1 taza leche agria
¼ taza aceite vegetal
2 huevos
1 cucharadita vainilla

Precaliente el horno a 350°F.

Baño: En un tazón para cereal pequeño combine el azúcar, la canela, y la mantequilla. Aplástelos con un tenedor hasta que se desmenucen. Déjelos a un lado.

Pan: Coloque los ingredientes secos y las pasas en un tazón para mezclar. Usando el aspa plana, bata en un ajuste bajo hasta que estén apenas mezclados (por unos 10 segundos). Agregue la leche agria, aceite, huevos y vainilla. Bata en un ajuste bajo hasta que queden mezclados, y luego en un ajuste medio por 1 minuto más o menos. Vierta la pasta en un molde engrasado de 9x5 pulgadas. Espolvoree el glaseado de canela sobre la pasta. Hornee por 50 minutos o hasta que al insertar un mondadientes, éste salga seco. Sáquelo del molde y déjelo enfriar sobre una rejilla. **Se obtienen 12 porciones.**

Dip de pimienta rojo asado

8 onzas queso crema, ablandado
¾ libra queso Monterey Jack, rallado
1 taza mayonesa

1 frasco de 7 onzas de pimientos rojos
asados, escurridos y cortados en cubitos
2 cucharadas cebolla finamente picada
2 cucharadas mostaza Dijon

Precaliente el horno a 350°F. Usando el aspa plana, mezcle el queso crema, el queso Monterey Jack y la mayonesa. Bata en un ajuste medio hasta que queden mezclados. Agregue el pimienta rojo, cebolla y mostaza. Continúe batiendo en un ajuste medio hasta que queden mezclados. Vierta con una cuchara en un molde de horno de 2 cuartos. Hornee por 20 minutos o hasta que aparezcan burbujas. Sirva con galletas saladas o rodajas delgadas de pan francés. **Se obtienen 4 tazas.**

Pollo a la canasta

8 onzas de queso crema, ablandado
1 lata de pollo escurrido
1 cebolla chica picada
¼ cucharadita sal
¼ cucharadita pimienta

¼ cucharadita estragón
½ cucharadita hojuelas de perejil
2 latas de masa refrigerada para
cuernitos de pan
½ taza queso parmesano

Precaliente el horno a 350°F. Usando el aspa plana, mezcle el queso crema, pollo, cebolla, sal, pimienta, estragón y perejil en un ajuste medio hasta que queden bien mezclados. Desenrolle los cuernitos, sepárelos y colóquelos en una charola galletera. Vierta la mezcla con una cuchara en el centro de la masa. Enrolle comenzando por el extremo más ancho de la masa. Asegúrese de que la masa cubre el relleno. Después de que hayan sido armados, páselos por queso parmesano y hornee por 15 a 18 minutos o hasta que estén dorados. **Se obtienen 16 porciones.**

Pastel-pizza de carne

1 libra carne molida sin grasa	1/3 taza pasta de tomate
2/3 taza leche evaporada	1 taza queso cheddar, rallado*
1/2 taza pan rallado fino	2 cucharadas queso parmesano
1 cucharadita sal de ajo	1/2 cucharadita orégano

Pre caliente el horno a 375°F. Usando el aspa plana, mezcle la carne molida, leche evaporada, pan rallado y sal en un ajuste medio hasta que queden bien mezclados. Coloque en una fuente para pay de 9 pulgadas. Agregue una capa de pasta de tomate, queso, queso parmesano y orégano. Hornee por 30 minutos. **Se obtienen de 6 a 8 porciones.** * O use el queso de su elección.

Papas horneadas con queso

3 papas medianas	2 cucharadas cebolla picada
4 onzas queso crema	1 cucharadita perejil picado
4 onzas queso cheddar fuerte, rallado	1/2 cucharadita sal
4 cucharadas mantequilla	1/2 cucharadita pimienta
1 huevo batido ligeramente	

Pre caliente el horno a 400°F. Hornee las 3 papas por 1 hora o hasta que estén cocidas. Con las papas todavía calientes, córtelas a lo largo y saque las papas de la cáscara con una cuchara. Con el aspa plana, mezcle las papas, queso crema, queso cheddar y mantequilla en un ajuste bajo hasta que queden suaves. Agregue el resto de los ingredientes a la mezcla y mezcle en un ajuste medio hasta que queden bien mezclados. Vierta la mezcla en las cáscaras de las papas, coloque en una charola galletera y hornee por 30 minutos o hasta que el tope quede dorado. **Se obtienen 6 porciones.**

Glaseado de mantequilla (para decorar)

1 taza manteca vegetal sólida	1/2 cucharadita extracto de mantequilla
2 cucharadas agua	4 tazas azúcar glass cernida
1 cucharadita extracto de vainilla	2 cucharadas sirope de maíz claro

En el tazón, combine la manteca vegetal, agua y vainilla. Con el aspa plana, mezcle en un ajuste bajo hasta que quede bien mezclado. Con la batidora en un ajuste medio, agregue el azúcar, una taza por vez. Agregue el sirope de maíz y mezcle en un ajuste alto hasta que el glaseado quede liviano y esponjoso. (Si desea un glaseado puramente blanco, use vainilla clara y una gotita de colorante para alimentos de color azul). **Se obtienen 3 tazas.**

- Para glaseado de chocolate, agregue 3/4 taza de cocoa y 2 cucharadas adicionales de agua.
- Use colorante para alimentos en pasta para darle color al glaseado.
- Para obtener una consistencia más líquida en el glaseado, agregue de 2 a 3 cucharadas adicionales de sirope de maíz.

Pastel cremoso de mantequilla de cacahuete

1 taza mantequilla	1 costra de galletas tipo graham de 9 pulgadas
1 taza azúcar morena (medida compacta)	2 onzas chocolate semiamargo para hornear
1 taza mantequilla de cacahuete	2 cucharadas mantequilla
1 envase (12 onzas) crema batida congelada, descongelada	1 cucharada leche

En una sartén mediana combine 1 taza de mantequilla con azúcar morena. Cocine a lumbre mediana hasta que se derrita la mantequilla y la mezcla esté suave, mezclando frecuentemente. Refrigere por 10 minutos. Bata la mantequilla de cacahuete con la mezcla de azúcar morena con el aspa plana en un ajuste medio hasta que estén mezcladas. Incremente la velocidad y bata en el ajuste alto por 1 minuto. Reduzca a un ajuste bajo y agregue la cubierta batida. Bata por un minuto más. Vierta en la costra de galletas tipo graham y refrigere. En una sartén pequeña derrita chocolate, 2 cucharadas mantequilla y leche a lumbre baja. Revuelva constantemente hasta que la mezcla esté suave. Enfríe ligeramente y luego unte sobre la superficie del pay. Refrigere por varias horas o toda la noche antes de servir. **Rinde un pay de 9 pulgadas, partido en 8 porciones.**

Rosca de vainilla

1¼ tazas azúcar glass	1½ cucharaditas cremor tártaro
1 taza harina para pastelería	½ cucharadita sal
1⅔ tazas claras de huevo, a temperatura ambiente (de 12 a 14 huevos)	1¼ tazas azúcar
	2½ cucharaditas vainilla

Precalente el horno a 375°F. En un tazón pequeño, mezcle el azúcar glass y la harina para pastelería; deje a un lado. En el tazón de mezclar bata las claras de huevo y el cremor tártaro hasta que se formen picos suaves. Agregue la sal, reduzca el ajuste a medio y agregue gradualmente el azúcar. Mezcle en el ajuste más alto hasta que se disuelva el azúcar y se formen picos más firmes. Con una espátula de goma, agregue la mezcla de harina y extractos y revuelva en forma envolvente sólo hasta que desaparezcan. Vierta la mezcla en un molde de rosca sin engrasar de 10 pulgadas. Hornee por 30-35 minutos o hasta que no quede una marca al tocar ligeramente la superficie con el dedo. Invierta el pastel aún en el molde sobre una botella. Deje que se enfríe completamente. Separe los lados del pastel del molde para sacarlo.

Pastel de piña

8 onzas queso crema, ablandado	1 paquete budín instantáneo de vainilla de 3.4 onzas
1 lata de 15 onzas de piña aplastada, sin escurrir	½ taza aceite vegetal
1 paquete de mezcla comercial para pastel amarillo de 18.25 onzas	3 huevos

Precalente el horno a 350°F. En el tazón de mezclar, use el aspa plana para combinar el queso crema y la piña en un ajuste bajo. Agregue la mezcla para pastel, budín, aceite y huevos. Mezcle en un ajuste bajo hasta que queden mezclados, luego en un ajuste medio por 2 minutos. Vierta la pasta en un molde de rosca o molde tipo Bundt engrasado. Hornee por 1 hora o hasta que esté listo. Deje que se enfríe en el molde por 10 minutos, luego sáquelo y deje que se enfríe. **Se obtienen 12 porciones.**

Pastel de puré de manzana

1 paquete de mezcla comercial para pastel amarillo de 18.25 onzas	1/2 taza agua
1 paquete budín instantáneo de vainilla de 3.4 onzas	1/4 taza aceite vegetal
4 huevos	1 1/2 cucharaditas canela
1 taza puré de manzana	1/2 cucharadita nuez moscada
	1 taza pasas (opcional)

Precale el horno a 350°F. En el tazón, bata la mezcla para pastel, mezcla para budín, huevos, puré de manzana, agua, aceite, canela y nuez moscada con el aspa plana por un minuto en el ajuste bajo y luego por tres minutos en el ajuste medio. Agregue las pasas. Vierta la pasta en un molde tipo Bundt engrasado y enharinado. Hornee por 60 minutos o hasta que quede hecho.

Galletas mágicas

1 taza mantequilla	1/2 cucharadita polvo de hornear
1 taza azúcar	1/2 cucharadita sal
1 taza azúcar morena clara	2 tazas avena
2 huevos	1 cucharada vainilla
2 tazas harina	12 onzas de chispas de chocolate
1 cucharadita bicarbonato de soda	1 1/2 tazas coco

Precale el horno a 350°F. Con el aspa plana, acrete la mantequilla, azúcar y azúcar morena en un ajuste medio hasta que queden bien mezcladas. Incorpore a la mezcla la vainilla y los huevos. Reduzca la velocidad y agregue gradualmente la harina, bicarbonato de soda, polvo de hornear y sal. Mezcle hasta que quede suave. En un ajuste bajo, mezcle la avena, chispas de chocolate y coco hasta que queden bien mezclados. Vierta a cucharadas llenas sobre una charola para galletas sin engrasar. Hornee en la rejilla del medio del horno por 12 a 14 minutos. **Se obtienen 3 docenas de galletas.**

Galletas de chocolate tipo brownies

2/3 taza manteca vegetal	1 1/2 tazas harina
1 1/2 tazas azúcar morena, medida compacta	1/3 taza cocoa para hornear sin azúcar
1 cucharada agua	1/4 cucharadita bicarbonato de soda
1 cucharadita vainilla	1/2 cucharadita sal
2 huevos	12 onzas chispas de chocolate semiamargo

Precale el horno a 375°F. Con el aspa plana, acrete la manteca vegetal y el azúcar morena en el ajuste medio hasta que se mezclen. Agregue agua, vainilla y huevos y mezcle. Agregue la harina, cocoa, bicarbonato de soda y sal y bata en un ajuste medio hasta que se mezclen bien. Vierta las chispas de chocolate en el ajuste bajo. Coloque la masa a cucharadas sobre charolas galleteras sin engrasar. Hornee de 7 a 9 minutos. No cocine en exceso. **Se obtienen 36 galletas.**

Galletas de mantequilla de cacahuete

1/3 taza manteca vegetal	1 cucharadita vainilla
1/2 taza mantequilla de cacahuete	3/4 cucharadita sal
1 1/4 tazas azúcar morena clara	1 1/2 tazas harina
1 huevo	1 cucharadita bicarbonato de soda

Precalente el horno a 275°F. Usando el aspa plana, bata la manteca vegetal, mantequilla de cacahuete, azúcar morena, huevo y vainilla en un ajuste medio hasta que queden bien mezclados. Reduzca la velocidad a baja y agregue gradualmente los ingredientes secos hasta que queden mezclados. La masa parecerá como migas grandes. Tome 3 cucharadas de masa y forme una bolita. Repita con el resto de la masa y coloque las bolitas en una charola galletera sin engrasar. Presiónelas hasta que queden de 1/2 pulgada de grueso. Hornee por 18 a 20 minutos. No cocine en exceso. **Se obtienen 16 galletas.**

Manjar de los dioses

2/3 taza agua tibia	2 claras de huevo
3 tazas azúcar	1/4 cucharadita de sal
1/2 taza almíbar de maíz	

Mezcle el agua, azúcar y el almíbar de maíz en una sartén. Revuelva bien. Cocine a fuego mediano revolviendo continuamente hasta que la mezcla de almíbar llegue a 255°F. Quítela del calor. Bata las claras de huevo hasta que estén bien firmes. Vierta con cuidado y lentamente la mezcla de almíbar sobre las claras de huevos batiendo a baja velocidad hasta que se mezclen completamente. Aumente la velocidad de la batidora a 4 y continúe batiendo hasta que desaparezca la apariencia vidriosa. Vierta en una charola galletera engrasada de 8x8 pulgadas o coloque de a cucharadas llenas en papel de cera.

Opcional: Nueces picadas o enteras, sabor de vainilla, chocolate rallado, coco rallado.

Delicias para mascotas

1 taza avena	1/4 taza leche en polvo
1/3 taza margarina	3/4 taza harina de maíz
1 1/4 taza agua caliente	1 huevo batido
1/4 taza jugo de carne o de atún (también puede usarse caldo en cubitos)	3 tazas harina integral

Precalente el horno a 350°F. Vierta el agua caliente sobre la avena y la margarina, y deje reposar por 5 minutos. Con el gancho para masa, mezcle en un ajuste bajo el jugo de carne, leche en polvo, harina de maíz y huevo. Agregue la harina y mezcle de una taza por vez. Después de que haya agregado las tres tazas de harina, amase en un ajuste medio por 3 minutos, agregando más harina si es necesario. La masa debe estar bien firme. Golpee suavemente o estire con un rodillo la masa a un grosor de 1/2 pulgada y corte del tamaño deseado. Coloque en una charola galletera engrasada. Hornee por 50 minutos. Deje que se seque hasta que esté duro. **Se obtienen 2 libras de galletas.**

Servicio al cliente

Si tiene cualquier pregunta acerca de la batidora, llame a nuestro número gratuito de servicio al cliente. Antes de llamar por favor verifique su número de modelo, tipo y serie y llene la información a continuación. Estos números se pueden encontrar en la parte inferior de la batidora. Esta información nos ayudará a contestar su pregunta rápidamente.

MODELO: _____ **TIPO:** _____ **SERIE:** _____

GARANTÍA LIMITADA

Se garantiza que este producto está libre de defectos en material y mano de obra por un período de dos (2) años para los productos de Hamilton Beach Portafolio o un (1) año para los de Hamilton Beach a partir de la fecha de compra inicial, a excepción de lo que se indica a continuación. Durante este período, nosotros repararemos o reemplazaremos este producto, a nuestro juicio, sin costo alguno. LA GARANTÍA QUE PRECEDE ES EN LUGAR DE CUALQUIER OTRA GARANTÍA, YA SEA EXPLÍCITA O IMPLÍCITA, POR ESCRITO O VERBAL, INCLUYENDO TODA GARANTÍA DE COMERCIABILIDAD O IDONEIDAD PARA UN FIN EN PARTICULAR. TODA RESPONSABILIDAD SE LIMITA EXPRESAMENTE A UNA CANTIDAD IGUAL AL PRECIO DE COMPRA PAGADO, Y TODO RECLAMO POR DAÑOS Y PERJUICIOS ESPECIALES, INCIDENTALES O CONSECUENTES QUEDAN POR LA PRESENTE EXCLUIDOS. No hay garantía con respecto a lo siguiente, que puede ser suministrado con este producto: partes de vidrio, recipientes de vidrio, cuchilla/filtro, paletas y/o agitadores. Esta garantía se extiende solamente al comprador consumidor inicial y no cubre defectos resultantes de abuso, mal uso, negligencia, uso para fines comerciales o cualquier otro uso que no sea conforme a las instrucciones impresas. Esta garantía le otorga derechos legales específicos y es posible que usted tenga otros derechos legales que varían de un estado al otro o de una provincia a la otra. Ciertos estados o provincias pueden no permitir limitaciones en las garantías implícitas o en los daños especiales, incidentales o consecuentes, de manera que es posible que las limitaciones que anteceden no correspondan en su caso.

Si desea hacer un reclamo bajo esta garantía, ¡NO DEVUELVA EL APARATO A LA TIENDA! Por favor llame a nuestro NÚMERO DE SERVICIO AL CLIENTE (Para obtener un servicio más rápido, por favor tenga los números del modelo, de la serie y del tipo listos para que el/la operador/a pueda ayudarle).

NÚMERO DE SERVICIO AL CLIENTE

En los Estados Unidos 1-800-851-8900

www.hamiltonbeach.com

¡GUARDE ESTE NÚMERO PARA REFERENCIA FUTURA!

HAMILTON BEACH ♦ PROCTOR-SILEX, INC.

263 Yadkin Road, Southern Pines, North Carolina 28387

PROCTOR-SILEX CANADA, INC.

Picton, Ontario K0K 2T0

840117600

www.hamiltonbeach.com

6/03

Free Manuals Download Website

<http://myh66.com>

<http://usermanuals.us>

<http://www.somanuals.com>

<http://www.4manuals.cc>

<http://www.manual-lib.com>

<http://www.404manual.com>

<http://www.luxmanual.com>

<http://aubethermostatmanual.com>

Golf course search by state

<http://golfingnear.com>

Email search by domain

<http://emailbydomain.com>

Auto manuals search

<http://auto.somanuals.com>

TV manuals search

<http://tv.somanuals.com>