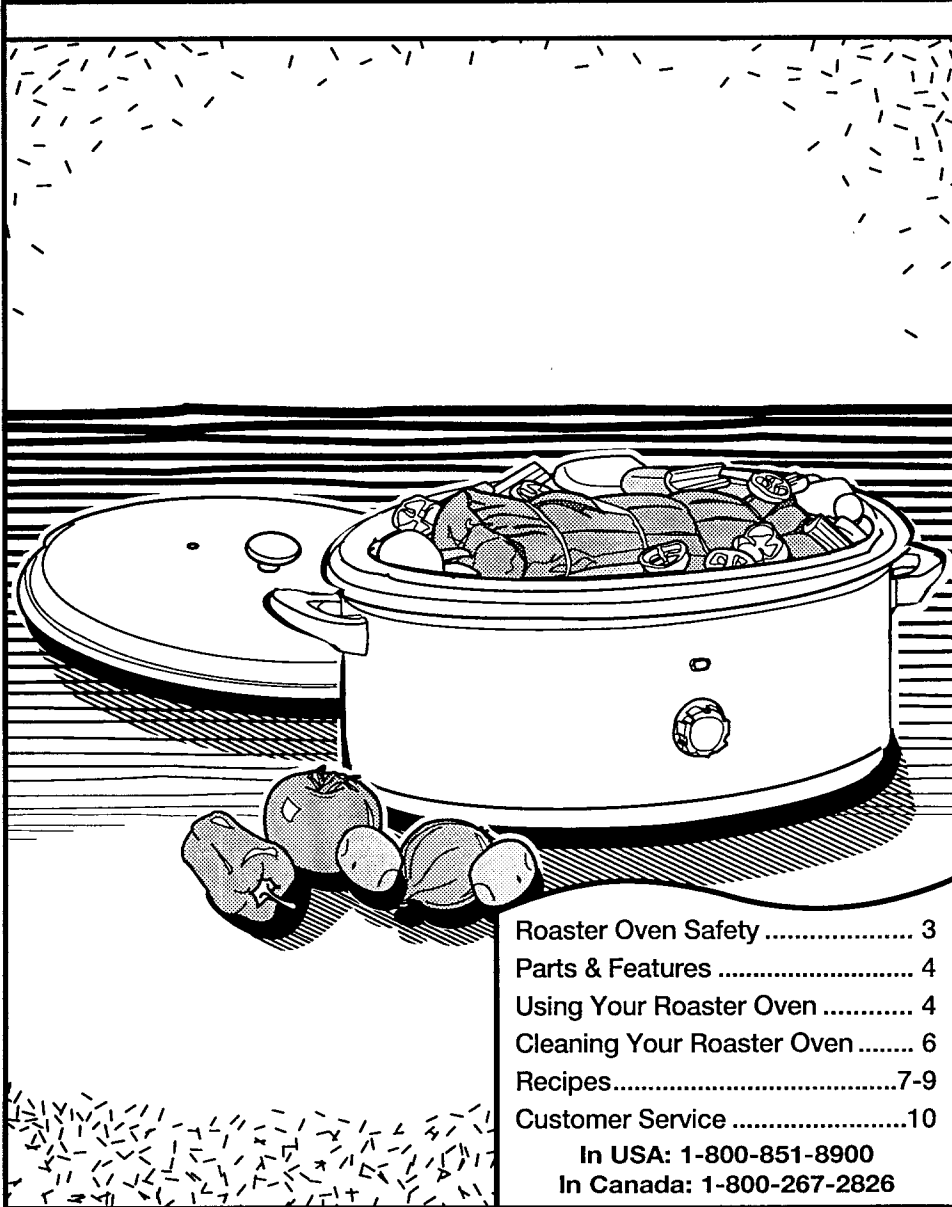


Hamilton Beach.

Roaster Oven



5 1/2" x 8 1/2"
 20 PAGES
 ENGLISH
 FRENCH
 BLACK INK
 NO BLEEDS
 SADDLE
 FLIP

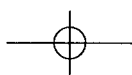
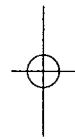
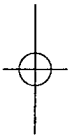
840060200

RECORD PRINT
Issued On:

OCT 08 1999

FINAL APPROVAL:

DATE:
10/4/99



Roaster Oven Safety

IMPORTANT SAFEGUARDS

When using electrical appliances, basic safety precautions should be followed, including the following:

1. Read all instructions.
2. Do not touch hot surfaces. Use handles or knobs.
3. To protect against electrical shock do not immerse roaster base, cord, or plug in water or other liquid.
4. Close supervision is necessary when any appliance is used by or near children.
5. Unplug from outlet when not in use and before cleaning. Allow to cool before putting on or taking off parts and before cleaning.
6. Do not operate any appliance with a damaged cord or plug, or after the appliance malfunctions or has been dropped or damaged in any manner. Call our toll-free customer service number for information on examination, electrical repair, mechanical repair, or adjustment.
7. The use of accessory attachments not recommended by the appliance manufacturer may cause injuries.
8. Do not use outdoors.
9. Do not let cord hang over edge of table or counter, or touch hot surfaces, including the stove.
10. Do not place on or near a hot gas or electric burner, or in a heated oven.
11. Extreme caution must be used when moving an appliance containing hot oil or other hot liquids.
12. **CAUTION:** Steam escaping from under cover or food warming pans is hot and can cause burns.
13. Do not use appliance for other than intended use.
14. Use oven mitts to remove the insert pan from the roaster oven; or to remove a baking pan or cooked food from the insert pan.

SAVE THESE INSTRUCTIONS!

Consumer Safety Information

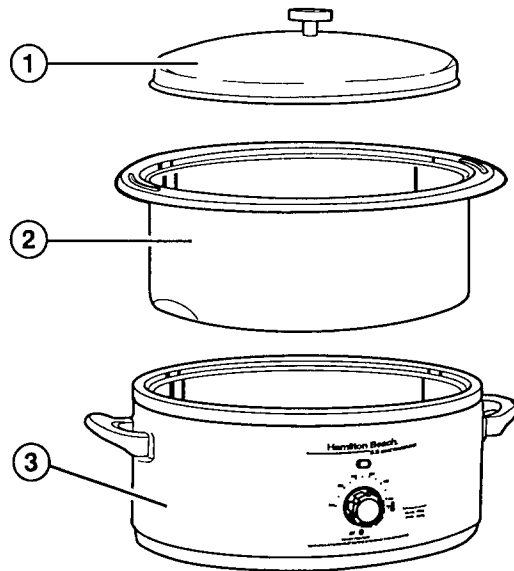
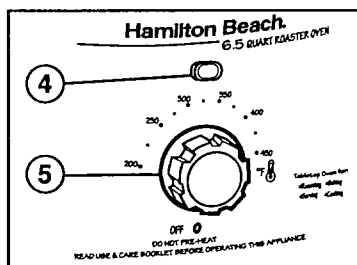
This appliance is intended for household use only.

This appliance is equipped with a polarized plug. This type of plug has one blade wider than the other. The plug will fit into an electrical outlet only one way. This is a safety feature intended to help reduce the risk of electrical shock. If you are unable to insert the plug into the outlet, try reversing the plug. If the plug should still fail to fit, contact a qualified electrician to replace the obsolete outlet. Do not attempt to defeat the safety purpose of the polarized plug by modifying the plug in any way.

The length of the cord used on this appliance was selected to reduce the hazards of becoming tangled in, or tripping over a longer cord. If a longer cord is necessary an approved extension cord may be used. The electrical rating of the extension cord must be equal to or greater than the rating of the roaster oven. Care must be taken to arrange the extension cord so that it will not drape over the countertop or tabletop where it can be pulled on by children or accidentally tripped over.

Parts & Features

1. Cover
2. Removable Insert Pan (6½ qt.)
3. Base
4. Indicator Light
5. Temperature Control



Using Your Roaster Oven

BEFORE FIRST USE: Wash the insert pan and the cover before using. During the first use of the roaster oven, some smoke and odor may be noticed. The smoke and odor should not occur after this first heating of the oven.

Notes About Your Roaster Oven

- The insert pan should always be used when cooking in the roaster oven. If cooking large quantities of soups or stews, the insert pan may be used as the cooking pan in the roaster base. It may also be used as a large roasting pan in the roaster base.
- Do not use the insert pan as a baking pan for cakes, breads, or casseroles. A separate pan must be placed in the insert pan when cooking these foods.
- Do not preheat the roaster oven. Heating the roaster oven when empty may shorten the life of the nonstick coating and may void your product warranty.
- Before baking or roasting in the roaster oven, make sure the pan or dish you plan to use will fit by placing it in the insert pan.
- We do not recommend using oven roasting bags in the roaster oven.
- Do not remove the cover of the roaster oven unless necessary. Removing the cover allows heat to escape and affects the temperature of the roaster oven.
- The indicator light will cycle on and off when the oven is heating to maintain set temperature.

How to Use

NOTES:

- The insert pan should always be placed in the roaster base when cooking.
 - Do not preheat the roaster oven.
1. Make sure temperature control is turned to OFF. Plug cord into 120 volt AC outlet.
 2. Place food to be cooked in a pan (or directly in the insert pan) and then place in oven and replace the cover.
 3. Set temperature control to desired setting.
 4. When finished cooking, remove cover and then remove food.
 5. Turn temperature control to OFF and unplug roaster oven.

Roasting Meats and Poultry

- When preparing to roast, place the meat or poultry in the insert pan. Then place the insert pan in the roaster oven and replace the cover.
- We recommend the use of a meat thermometer to assure perfectly cooked roasts and poultry every time. If using a meat thermometer, the meat or poultry should be removed from the roaster oven when the thermometer reading is 5 to 10 degrees below the desired temperature. The internal temperature will continue to rise after the meat has been removed from the roaster oven.
- Smoked or cured hams are labeled as "Cook Before Eating" or "Fully Cooked." Fully cooked ham does not require additional cooking, but heating to 140°F improves flavor. Ham labeled, "Cook Before Eating" must be thoroughly cooked to an internal temperature of 160°F.

Meat Roasting Chart

- The Roasting Chart lists cooking times for tender cuts of meat that are usually dry-roasted. These roasts are from the rib or sirloin area. To tenderize cuts from the leg (ham) or shoulder/chuck area, cook in liquid for a longer period of time.
- Roasting times indicated are approximate and should be used only as a general guideline. Individual cuts of meat and personal preference may dictate longer or shorter roasting times.

CUT	TEMPERATURE	MINUTES PER POUND
Beef roasts (4 lbs.)	325°F	12 to 20
Pork roasts (3 lbs.)	325°F	20 to 30
Smoked ham (see "Roasting Meats and Poultry")		
Cook before eating	325°F	15 to 30
Fully cooked	325°F	12 to 25

Final Meat Thermometer Readings

Cook to desired doneness by measuring the internal temperature of the meat with a meat thermometer.

MEAT	RARE	MEDIUM	WELL DONE
Beef	140°F	160°F	170°F
Pork	*	160°F	170°F
Lamb	140°F	160°F	170°F
Smoked ham (see "Roasting Meats and Poultry") Cook before eating Fully cooked			160°F 140°F
Poultry Roasting chicken Turkey			180°F 180°F

* Pork should be cooked to a minimum meat thermometer reading of 155-160°F.

Quantity Cooking

- The insert pan may be used as a large cooking utensil when cooking or heating large quantities, about 6½ quarts. It may be used to simmer sauces, soups, or stews, or simply to heat or warm large quantities.
- For example, set the temperature control at 400°F and the roaster oven will warm vegetable beef soup from refrigerated temperature to serving temperature in about two hours. To cook soups, stews, or sauces, set the temperature control on 225°F and allow 4 to 8 hours to simmer, depending on recipe.

Cleaning Your Roaster Oven

1. Turn temperature control to OFF. Unplug roaster oven from outlet and let cool.
 2. Wash cover and insert pan in hot, soapy water. To remove burned-on food, let soak, then scrub with a nylon scouring pad. Rinse in hot water, then dry.
 3. Wipe the inside of the roaster base with a damp cloth.
 4. Wipe the outside of the roaster oven with a damp, soapy cloth; then dry.
- NOTES:**
- Do not place insert pan in dishwasher.
 - Never immerse roaster base in water or other liquid.
 - Do not use steel wool or metallic scouring pad. It may void your product warranty.

Recipes

Baked Potatoes

3 to 4 pounds baking potatoes, about 5 to 8 potatoes

Scrub potatoes and pierce with a fork. Stack potatoes in the insert pan so that they do not touch sides. Place cover on roaster and bake at 400°F for 1 hour and 15 minutes or until tender when pierced with a fork.

Spinach Casserole

½ cup chopped onions	1 tablespoon Worcestershire sauce
1 cup (about 4 oz.) sliced mushrooms	2 (3-ounce) packages cream cheese, room temperature and cut into cubes
¼ cup butter	½ teaspoon salt
2 (10-ounce) boxes frozen chopped spinach; thawed, drained and squeezed dry with paper towel	¼ teaspoon pepper
	¼ teaspoon nutmeg

Over medium heat, sauté the onions and mushrooms in the butter for about five minutes. Add the spinach, Worcestershire sauce, cream cheese, salt, pepper, and nutmeg. Cook until the cream cheese has melted. Spoon into a greased 6-cup casserole dish and bake at 375°F for 15 to 20 minutes. This can be prepared one day ahead of time and refrigerated. If it has been prepared ahead of time, bake for at least 30 minutes. **Makes 6 servings.**

Honey Roasted Spareribs

For marinade:

1 teaspoon minced garlic	1 tablespoon salt
1 cup packed light brown sugar	2 teaspoons ground ginger
1 cup honey	1 teaspoon Tabasco
¼ cup cider vinegar	4 racks pork spareribs (about 4 pounds)
¼ cup Worcestershire sauce	

Combine garlic, brown sugar, honey, vinegar, Worcestershire, salt, ginger, and Tabasco; mix well. Cut ribs to fit into insert pan without touching the sides. Coat spareribs with marinade. Place spareribs in insert pan and pour 1 cup of marinade over ribs. Roast at 350°F for one hour. Add remaining marinade and roast an additional hour. **Makes 4 servings.**

Moroccan Chicken

3½ to 4 pound chicken	½ teaspoon ground ginger
1 teaspoon tumeric	½ teaspoon ground coriander
1 teaspoon salt	¼ teaspoon ground black pepper

Rinse chicken in cold water. Pat dry. Combine spices and seasonings and use to coat chicken. Place chicken in insert pan. Place cover on roaster and bake at 350°F for 1 hour and 15 to 30 minutes or until tests done. **Makes 4 servings.**

Barbecued Brisket

4 pounds beef brisket	½ teaspoon cumin
1 tablespoon chili powder	½ teaspoon dried, crumbled oregano
1 teaspoon minced garlic	¼ teaspoon ground sage
1 teaspoon paprika	¼ teaspoon ground cayenne pepper
1 teaspoon salt	¼ teaspoon black pepper
1 teaspoon sugar	

If necessary, cut brisket to fit in insert pan without touching the sides. Mix all the spices. Coat all of the brisket with the spice mixture. Wrap the brisket in heavy duty aluminum foil. Crimp the edges of the foil to seal. Place in the insert pan. Cover and roast at 250°F for 4 hours. Remove from the roaster. Thinly slice the brisket and serve with your favorite barbecue sauce or the juice from roasting. **Makes 10 servings.**

Oven Roasted Beef Stew

2 pounds boneless beef chuck roast	3 cups water
1 pound bag baby carrots	1.5 ounce envelope beef stew seasoning mix
2 large potatoes, cubed	
2 10¾ ounce cans condensed cream of tomato soup	

Place beef, carrots, and potatoes in insert pan. In a bowl, whisk together the soup, water, and seasoning packet. Pour over beef and vegetables. Cover and roast at 250°F for 3 hours or until beef is tender. Occasionally remove cover and stir. **Makes 4 to 6 servings.**

Fruit Crisp

3 cups sliced apples (or frozen blueberries)	1 teaspoon cinnamon
1 cup quick oats	¼ teaspoon salt
⅔ cup brown sugar	¼ teaspoon nutmeg
½ cup flour	½ cup butter melted

Place apples or berries in a greased 9x5-inch loaf pan. In a medium bowl combine oats, brown sugar, flour, cinnamon, salt, and nutmeg. Stir to mix. Add butter and stir until crumbly. Spoon the mixture on top of fruit. Place pan in oven. Cover and bake at 400°F for 30 minutes or until bubbly. **Makes 4 servings.**

Old Fashioned Bread Pudding

6 slices bread	1 cup milk
2 eggs	14-ounce can sweetened
2 egg yolks	condensed milk
½ cup sugar	1 teaspoon vanilla

Grease a 9x5-inch loaf pan. Cut bread slices into 1-inch pieces. Dump into prepared loaf pan. Combine eggs, egg yolks, sugar, milk, sweetened condensed milk, and vanilla. Beat with whisk until mixed. Pour over bread in pan. Push bread down into mixture to completely coat. Pour 2 cups hot tap water into insert pan. Carefully set filled loaf pan in water. Cover and bake at 375°F for 45 minutes.

Overnight Egg Casserole

3 cups soft bread cubes	1 cup milk
¾ cup grated Swiss cheese	1 tablespoon prepared mustard
½ cup grated Monterey Jack cheese	⅛ teaspoon pepper
4 eggs	6 slices bacon, cooked and crumbled

Grease a 9x5-inch loaf pan. Spread bread cubes in the pan. Sprinkle with cheeses. Combine eggs, milk, mustard, and pepper; mix until blended. Pour over bread and cheeses in pan. Cover and refrigerate overnight. When ready to cook, sprinkle crumbled bacon over top of casserole. Bake at 375°F for 1 hour or until set. **Makes 4 servings.**

Cinnamon Loaf

8-ounce can refrigerated dinner crescent rolls	¼ cup butter, softened
⅓ cup brown sugar	1 teaspoon cinnamon

Unroll dough to form 4 rectangles. In a small bowl combine sugar, butter, and cinnamon. Mix until smooth. Spread each rectangle with the mixture then starting from the short end, roll up jelly-roll style. Cut each jelly-roll into 4 pieces and place rolls, cut side up, in a greased 9x5-inch loaf pan. Bake at 375°F for 20 to 25 minutes or until golden. Invert onto plate and pull apart to serve. **Makes 4 servings.**

Customer Service

If you have a question about your roaster oven, call our toll-free customer service number. Before calling, please note the model, type, and series numbers and fill in that information below. These numbers can be found on the bottom of your roaster oven. This information will help us answer your question much more quickly.

MODEL: _____ **TYPE:** _____ **SERIES:** _____

TWO YEAR LIMITED WARRANTY

Hamilton Beach/Proctor-Silex, Inc. warrants this appliance to be free from defects in material and workmanship for a period of two (2) years from the date of original purchase, except as noted. There is no warranty with respect to the following, which may be supplied with this appliance: glass parts, glass containers, cutter/strainer, blades and/or agitators. This warranty extends only to the original consumer purchaser and does not cover damage from abuse, neglect, use for commercial purposes, or any other use not found in the printed directions. HAMILTON BEACH/PROCTOR-SILEX, INC. EXPRESSLY DISCLAIMS ALL RESPONSIBILITY FOR CONSEQUENTIAL DAMAGES OR INCIDENTAL LOSSES CAUSED BY USE OF THIS APPLIANCE. Some states or provinces do not allow this exclusion or limitation of incidental or consequential losses, so the foregoing disclaimer may not apply to you. If you have a claim under this warranty, DO NOT RETURN THE APPLIANCE TO THE STORE! Please call our CUSTOMER SERVICE NUMBER. (For faster service please have model, series, and type numbers ready for operator to assist you.)

CUSTOMER SERVICE NUMBERS

In the U.S. 1-800-851-8900

In Canada 1-800-267-2826

Web site address: www.hamiltonbeach.com

KEEP THESE NUMBERS FOR FUTURE REFERENCE!

This warranty gives you specific legal rights, and you may also have other legal rights which vary from state to state, or province to province.

HAMILTON BEACH PROCTOR-SILEX, INC.

Washington, North Carolina 27889

840060200

PROCTOR-SILEX CANADA, INC.

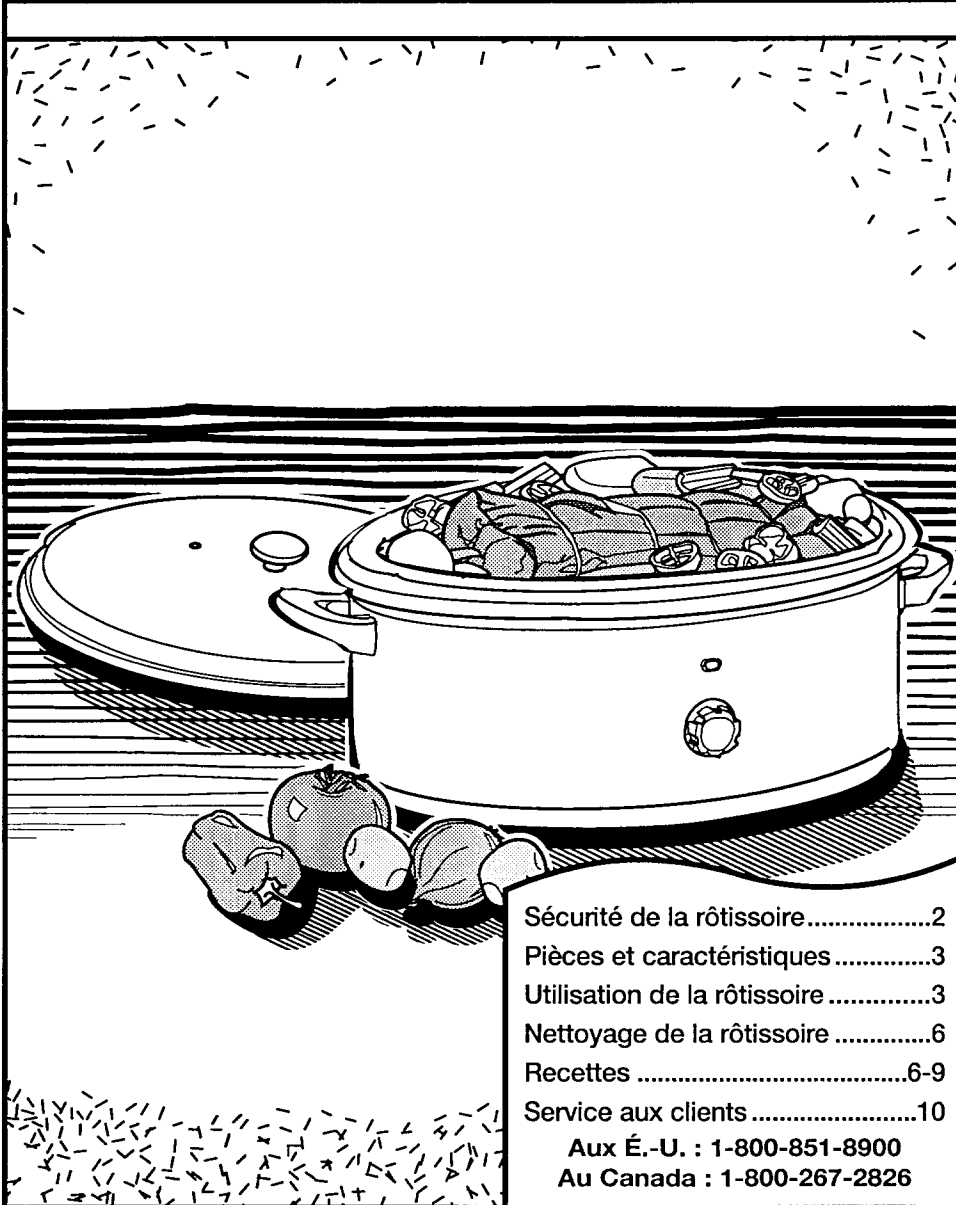
Picton, Ontario K0K 2T0

Web site address: www.hamiltonbeach.com

10/99

Hamilton Beach.

Rôtissoire



Sécurité de la rôtissoire.....	2
Pièces et caractéristiques.....	3
Utilisation de la rôtissoire.....	3
Nettoyage de la rôtissoire.....	6
Recettes.....	6-9
Service aux clients.....	10

Aux É.-U. : 1-800-851-8900
Au Canada : 1-800-267-2826

840060200

Sécurité de la rôti

IMPORTANTES INSTRUCTIONS

Lors de l'utilisation d'appareils électroménagers, des précautions fondamentales de sécurité doivent toujours être observées, y compris ce qui suit :

1. Lire toutes les instructions.
2. Ne pas toucher les surfaces chaudes. Utiliser les poignées ou boutons.
3. Pour protéger contre le risque de choc électrique, ne pas immerger la base de la rôti, le cordon ou la fiche dans l'eau ou autre liquide.
4. Une bonne surveillance est nécessaire pour tout appareil utilisé par des enfants ou près d'eux.
5. Débrancher l'appareil de la prise de courant électrique lorsqu'il n'est pas utilisé et avant un nettoyage. Le laisser refroidir avant d'y placer ou d'y enlever des pièces et avant un nettoyage.
6. Ne pas faire fonctionner un appareil électroménager avec une fiche ou un cordon endommagé, ou lorsque l'appareil ne fonctionne pas bien ou a été échappé ou endommagé d'une manière quelconque. Composer notre numéro de service aux clients, sans frais d'interurbain, pour des renseignements concernant l'examen, la réparation électrique, la réparation mécanique ou l'ajustement.
7. L'utilisation d'accessoires non recommandés par le fabricant de l'appareil ménager peut causer des blessures.
8. Ne pas utiliser à l'extérieur.
9. Ne pas laisser le cordon pendre du bord d'une table ou d'un comptoir, ni toucher des surfaces chaudes, y compris la cuisinière.
10. Ne pas placer l'appareil sur ou près d'un brûleur à gaz chaud, ou d'un élément électrique, ou dans un four chauffé.
11. Une grande précaution doit être prise lors de l'utilisation d'un appareil électroménager contenant de l'huile chaude ou autres liquides chauds.
12. **MISE EN GARDE** : La vapeur s'échappant de dessous le couvercle ou des plats pour réchauffer les aliments est chaude et peut causer des brûlures.
13. Ne pas utiliser l'appareil électroménager à une fin autre que l'utilisation prévue.
14. Utiliser des gants de cuisine pour retirer le contenant intérieur de la rôti; ou pour sortir un moule à gâteau ou des aliments cuits du contenant intérieur.

CONSERVER CES INSTRUCTIONS!

Renseignements de sécurité aux consommateurs

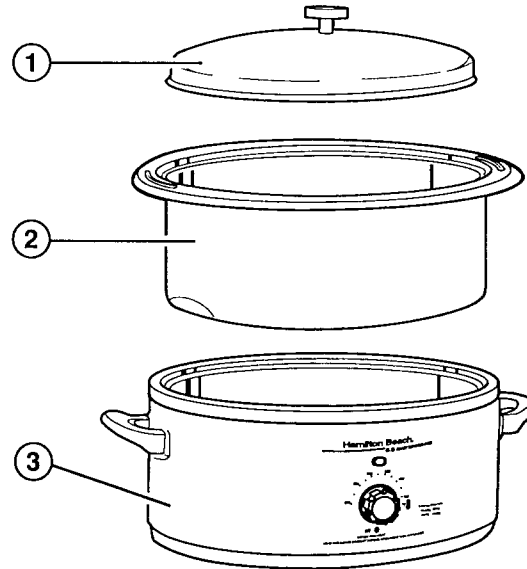
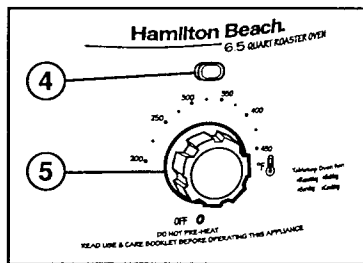
Cet appareil est destiné à l'utilisation domestique seulement.

Cet appareil est muni d'une fiche polarisée. Ce type de fiche présente une broche plus large que l'autre. Par mesure de sécurité, la fiche peut être introduite dans une prise que dans un sens seulement. Il s'agit d'une caractéristique de sécurité visant à réduire le risque de choc électrique. Si la fiche ne peut pas être insérée dans la prise, la tourner dans l'autre sens. Si elle ne peut toujours pas être insérée dans la prise, contacter un électricien pour qu'il remplace la prise

désuète. Ne pas essayer de contourner l'objectif de sécurité de la fiche polarisée en la modifiant de quelque manière que ce soit. La longueur du cordon de cet appareil a été choisie de façon à ce que l'on ne risque pas de trébucher dessus. Si un cordon plus long est nécessaire, utiliser une rallonge appropriée. Le calibrage de la rallonge doit être le même que celui de l'appareil ou supérieur. Lorsqu'on utilise une rallonge, s'assurer qu'elle ne traverse pas la zone de travail, que des enfants ne puissent pas tirer dessus par inadvertance et qu'on ne puisse pas trébucher dessus.

Pièces et caractéristiques

1. Couvercle
2. Plat amovible (6-pintes)
3. Base
4. Indicateur lumineux
5. Commande de la température



Utilisation de la rôtissoire

AVANT L'UTILISATION INITIALE : Laver le plat et le couvercle. Lors de l'utilisation initiale de la rôtissoire, on remarquera peut-être de la fumée et une odeur. On ne devrait pas percevoir de fumée ou d'odeur après le premier chauffage de la rôtissoire.

Renseignements à propos de la rôtissoire

- Le plat amovible devrait toujours être utilisé lors de la cuisson dans la rôtissoire. Si l'on prépare de grandes quantités de soupes ou de ragoûts, le plat amovible peut être utilisé comme plat de cuisson dans la base de la rôtissoire. Il peut également servir de grande rôtissoire dans la base.
- Ne pas utiliser le plat amovible pour la cuisson de gâteaux, pains ou mets en sauce. Un plat distinct doit être placé dans le plat amovible lors de la cuisson de ces aliments.
- Ne pas préchauffer la rôtissoire. On risquerait d'endommager le revêtement antiadhésif et d'annuler la garantie du produit.
- Avant de faire cuire ou de rôtir dans la rôtissoire, s'assurer que le plat que vous prévoyez utiliser conviendra en le plaçant dans le plat amovible.
- Nous ne recommandons pas d'utiliser des sacs de rôtissage au four dans la rôtissoire.
- Ne pas enlever le couvercle de la rôtissoire inutilement. Enlever le couvercle laisse la chaleur s'échapper et affecte la température de la rôtissoire.
- L'indicateur lumineux s'allume et s'éteint pendant la cuisson pour maintenir une température constante.

Mode d'emploi

REMARQUES :

- Le plat amovible devrait toujours être placé dans la rôtissoire lors de la cuisson.
 - Ne pas préchauffer la rôtissoire.
1. S'assurer que la commande de température est tournée à OFF. Brancher le cordon dans une prise de 120 V CA.
 2. Placer la nourriture à faire cuire dans un plat (ou directement dans le plat amovible), puis le placer dans la rôtissoire et replacer le couvercle.
 3. Régler la température tel que désiré.
 4. Une fois la cuisson terminée, enlever le couvercle, puis retirer les aliments.
 5. Tourner la commande de température à OFF, puis débrancher la rôtissoire.

Rôtissage de viandes et volailles

- Lors de la préparation pour le rôtissage, placer la viande ou la volaille dans le plat amovible. Placer ensuite le plat amovible dans la rôtissoire et replacer le couvercle.
- Nous recommandons l'utilisation d'un thermomètre à viande pour assurer une cuisson parfaite des rôtis et de la volaille à chaque fois. Si on utilise un thermomètre à viande, la viande ou la volaille devrait être retirée de la rôtissoire lorsque la température sur le thermomètre est de 5 à 10° en-dessous de la température désirée. La température interne continuera de s'élever après que la viande a été retirée de la rôtissoire.
- Les jambons fumés ou salaisonés sont étiquetés "Cuire avant de manger" ou "Entièrement cuit". Le jambon entièrement cuit ne nécessite pas de cuisson additionnelle, mais porter la température à 140°F en améliore la saveur. Le jambon étiqueté "Cuire avant de manger" doit être cuit complètement jusqu'à une température interne de 160°F.

Tableau de rôtissage des viandes

- Le tableau de rôtissage donne les durées de cuisson pour les morceaux de viande tendre qui sont habituellement rôtis à sec. Ces rôtis proviennent des côtes ou de la surlonge. Pour attendre des morceaux provenant de la cuisse (jambon) ou de l'épaule/bloc, faire cuire dans un liquide pendant une période plus longue.
- Les durées de rôtissage indiquées sont approximatives et devraient être utilisées simplement comme directives générales. Les morceaux individuels et les préférences personnelles peuvent nécessiter des durées de rôtissage plus longues ou plus courtes.

COUPE	TEMPÉRATURE	MINUTES PAR LIVRE
Rôtis de bœuf 1,8 kg (4 lb)	325°F	12 à 20
Rôtis de porc 1,3 kg (3 lb)	325°F	20 à 30
Jambon fumé (voir "Rôtissage de viandes et volailles") À faire cuire avant de manger Entièrement cuit	325°F 325°F	15 à 30 12 à 25

Lectures finales sur un thermomètre à viande

Faire cuire au degré de cuisson désiré en mesurant la température interne de la viande avec un thermomètre à viande.

VIANDE	SAIGNANT	À POINT	BIEN CUIT
Bœuf	140°F	160°F	170°F
Porc	*	160°F	170°F
Agneau	140°F	160°F	170°F
Jambon fumé (voir "Rôtissage de viandes et volailles") À faire cuire avant de manger Entièrement cuit			160°F 140°F
Poultry Poulet Dinde			180°F 180°F

* Le porc devrait être cuit jusqu'à ce que le thermomètre à viande indique une température minimale de 155 à 160°F.

Cuisson de grandes quantités

- Le plat amovible peut être utilisé comme ustensile de cuisson pour faire cuire de grandes quantités, environ 6-pintes. On peut s'en servir pour faire mijoter des sauces, soupes ou ragoûts ou simplement pour réchauffer de grandes quantités.
- Par exemple, régler la commande de température à 400°F et la rôtissoire réchauffera une soupe aux légumes et au boeuf d'une température réfrigérée à une température de service en deux heures environ. Pour faire cuire des soupes, ragoûts ou sauces, régler la commande de température à 225°F et prévoir 4 à 8 heures de mijotage, selon la recette.

Nettoyage de la rôtissoire

1. Tourner la commande de température à OFF. Débrancher la rôtissoire de la prise et la laisser refroidir.
2. Laver le couvercle et le plat amovible dans de l'eau chaude savonneuse. Pour enlever les aliments brûlés sur la surface, faire tremper, puis frotter avec un tampon de récurage en nylon. Rincer dans de l'eau chaude, puis sécher.
3. Essuyer l'intérieur de la base de la rôtissoire avec un linge humide.
4. Essuyer l'extérieur de la rôtissoire avec un linge humide savonneux, puis sécher.

REMARQUES :

- Ne jamais immerger la base de la rôtissoire dans l'eau ou autre liquide.
- Ne pas laver le contenant intérieur dans le lave-vaisselle.
- Ne pas utiliser de laine d'acier ni de tampon de récurage métallique. On risque d'annuler la garantie du produit.

Recettes

Pommes de terre au four

3 à 4 livres de pommes de terre à cuire, environ 5 à 8 pommes de terre

Frotter les pommes de terre pour les nettoyer et les percer à l'aide d'une fourchette. Empiler les pommes de terre dans le plat amovible, de façon qu'elles ne touchent pas les parois. Couvrir la rôtissoire et cuire au four à 400°F pendant 1 heure et 15 minutes ou jusqu'à ce que les pommes de terre soient tendres lorsque percées à l'aide d'une fourchette.

Épinards en cocotte

- | | |
|--|--|
| ¼ tasse d'oignons hachés | 2 emballages de 3 oz de fromage en crème, à température ambiante et coupé en cubes |
| 1 tasse (environ 4 oz) de champignons hachés | ½ cuillère à thé de sel |
| ¼ tasse de beurre | ¼ cuillère à thé de poivre |
| 2 emballages (10 oz) d'épinards hachés congelés, décongelés et égouttés (presser et sécher à l'aide d'essuie-tout) | ¼ cuillère à thé de noix de muscade |
| 1 cuillère à soupe de sauce Worcestershire | |

À feu moyen, faire sauter les oignons et les champignons dans le beurre pendant environ cinq minutes. Ajouter les épinards, la sauce Worcestershire, le fromage en crème, le sel, le poivre et la noix de muscade. Cuire jusqu'à ce que le fromage en crème soit fondu. Verser dans une cocotte de 6 tasses et cuire au four à 375°F pendant 15 à 20 minutes. On peut préparer ce plat une journée à l'avance et le réfrigérer ensuite. Si on le prépare à l'avance, cuire pendant au moins 30 minutes. **Donne 6 portions.**

Petites côtes de porc rôties au miel

Pour la marinade :

- | | |
|--|---|
| 1 cuillère à thé d'ail émincé | 1 cuillère à soupe de sel |
| 1 tasse de sucre brun légèrement tassé | 2 cuillères à thé de gingembre moulu |
| 1 tasse de miel | 1 cuillère à thé de Tabasco |
| ¼ tasse de vinaigre de cidre | 4 rangées de petites côtes de porc (environ 4 livres) |
| ¼ tasse de sauce Worcestershire | |

Bien mélanger ensemble l'ail, le sucre brun, le miel, le vinaigre, la sauce Worcestershire, le sel, le gingembre et le Tabasco. Couper les petites côtes pour qu'elles rentrent dans le contenant intérieur sans toucher les côtés. Recouvrir les côtes de marinade. Les mettre dans le plat amovible et verser une tasse de marinade dessus. Rôtir à 350°F pendant une heure. Verser le restant de la marinade et rôtir une heure de plus. **Donne 4 portions.**

Poulet à la marocaine

- | | |
|-----------------------------|---------------------------------------|
| 3½ à 4 livres de poulet | ½ cuillère à thé de gingembre moulu |
| 1 cuillère à thé de curcuma | ½ cuillère à thé de coriandre moulu |
| 1 cuillère à thé de sel | ¼ cuillère à thé de poivre noir moulu |

Rincer le poulet à l'eau froide. Sécher à l'aide d'un essuie-tout en tapotant. Mélanger les épices et les assaisonnements et utiliser pour recouvrir le poulet. Mettre le poulet dans le plat amovible. Couvrir la rôtissoire et cuire au four à 350°F pendant 1 heure et 15 à 30 minutes ou jusqu'à ce qu'il soit cuit. **Donne 4 portions.**

Pointe de poitrine de boeuf au barbecue

Pointe de poitrine de boeuf de 4 livres	½ cuillère à thé d'origan séché et émietté
1 cuillère à soupe de poudre de chili	¼ cuillère à thé de sauge moulue
1 cuillère à thé d'ail émincé	¼ cuillère à thé de poivre de Cayenne moulu
1 cuillère à thé de paprika	¼ cuillère à thé de poivre noir
1 cuillère à thé de sel	
1 cuillère à thé de sucre	
½ cuillère à thé de cumin	

Si nécessaire, couper la pointe de poitrine de façon qu'elle ne touche pas les parois du plat amovible. Mélanger tous les épices. Recouvrir toute la pointe de poitrine de ce mélange d'épices. Envelopper la pointe de poitrine d'une solide feuille d'aluminium. Replier les bords pour sceller. Déposer dans le plat amovible. Couvrir et rôtir à 250°F pendant 4 heures. Sortir de la rôtissoire. Trancher finement la pointe de poitrine et servir avec votre sauce barbecue préférée ou la sauce de la viande. **Donne 10 portions.**

Ragoût de boeuf rôti au four

2 lb de rôti de boeuf de fin de palette	2 boîtes de 10 ¾ oz de crème de tomate (soupe) condensée
1 lb de mini-carottes	3 tasses d'eau
2 grosses pommes de terre, coupées en cubes	1 sachet de 1,5 oz de mélange d'assaisonnement pour ragoût de boeuf

Mettre le boeuf, les carottes et les pommes de terre dans le plat amovible. Dans un bol, fouetter la soupe, l'eau et l'assaisonnement en sachet. Verser sur le boeuf et les légumes. Couvrir et rôtir à 250°F pendant 3 heures ou jusqu'à ce que le boeuf soit tendre. Découvrir occasionnellement pour remuer. **Donne 4 à 6 portions.**

Croustade aux fruits

3 tasses de pommes en tranches (ou de bleuets congelés)	1 cuillère à thé de cannelle
1 tasses d'avoine à cuisson rapide	¼ cuillère à thé de sel
⅔ tasse de sucre brun	¼ cuillère à thé de noix de muscade
½ tasse de farine	½ tasse de beurre fondu

Mettre les pommes ou les baies dans un moule à pain graissé de 9x5 po. Dans un bol moyen, mélanger l'avoine, le sucre brun, la farine, la cannelle, le sel et la noix de muscade. Bien mélanger. Ajouter le beurre et mélanger jusqu'à consistance friable. Verser le mélange sur les fruits. Mettre le moule au four. Couvrir et cuire à 400°F pendant 30 minutes ou jusqu'à ce que le mélange bouillonne. **Donne 4 portions.**

Pudding de pain à l'ancienne

6 tranches de pain	1 tasse de lait
2 oeufs	1 boîte de 14 oz de lait condensé sucré
2 jaunes d'oeufs	1 cuillère à thé de vanille
½ tasse de sucre	

Graisser un moule à pain de 9x5 po. Couper les tranches de pain en morceaux de 1 po. Verser dans le moule à pain préparé. À l'aide d'un fouet, mélanger les oeufs, les jaunes d'oeufs, le sucre, le lait, le lait condensé sucré et la vanille. Verser sur le pain. Appuyer le pain dans le mélange jusqu'à ce qu'il en soit recouvert. Verser 2 tasses d'eau chaude du robinet dans le plat amovible. Placer délicatement le moule à pain rempli dans l'eau. Couvrir et cuire au four à 375°F pendant 45 minutes.

Oeufs en cocotte

3 tasses de cubes de pain mou	1 tasse de lait
¾ tasse de fromage suisse râpé	1 cuillère à soupe de moutarde préparée
½ tasse de fromage Monterey Jack râpé	½ cuillère à thé de poivre
4 oeufs	6 tranches de bacon, cuit et émietté

Graisser un moule à pain de 9x5 po. Répartir les cubes de pain dans le moule. Saupoudrer de fromage. Bien mélanger les oeufs, le lait, la moutarde et le poivre. Verser sur le pain et le fromage. Couvrir et réfrigérer jusqu'au lendemain. Avant la cuisson, saupoudrer le bacon émietté sur le mélange. Cuire au four à 375°F pendant 1 heure ou jusqu'à ce que le mélange soit pris. **Donne 4 portions.**

Pain à la cannelle

1 boîte de 8 oz de croissants réfrigérés	¼ tasse de beurre, ramolli
½ tasse de sucre brun	1 cuillère à thé de cannelle

Dérouler la pâte pour former 4 rectangles. Dans un petit bol, mélanger le sucre, le beurre et la cannelle. Mélanger jusqu'à consistance lisse. Tartiner chaque rectangle avec le mélange, puis, en commençant à partir de l'extrémité courte, rouler comme un rouleau de gelée. Couper chaque rouleau de gelée en 4 morceaux et déposer, côté coupé vers le haut, dans un moule à pain graissé de 9x5 po. Cuire au four à 375°F pendant 20 à 25 minutes ou jusqu'à ce qu'il soit doré. Retourner sur une assiette et séparer pour servir. **Donne 4 portions.**

Service aux clients

Si vous avez une question au sujet de votre rôtière, composer notre numéro sans frais d'interurbain de service aux clients. Avant de faire un appel, veuillez noter le modèle, le type et les numéros de série, et fournir ces renseignements ci-dessous. Ces numéros se trouvent à la base du rôtière. Ces renseignements nous aideront à répondre beaucoup plus vite à toute question.

MODÈLE : _____ **TYPE :** _____ **SÉRIE :** _____

GARANTIE LIMITÉE DE DEUX ANS

Hamilton Beach/Proctor-Silex, Inc. garantit que cet appareil est exempt de vices de matériau et de main-d'oeuvre pendant une période de deux (2) ans à compter de la date de l'achat original, excepté ce qui est noté. Il n'y a pas de garantie en rapport de ce qui suit, qui peut être fournie avec cet appareil : pièces en verre, contenants en verre, couteau/tamis, lames et/ou agitateurs. Cette garantie s'étend seulement à l'acheteur consommateur original et ne couvre pas les dommages provenant des abus, négligence, usage pour fins commerciales, ou tout autre usage non indiqué dans les instructions imprimées. HAMILTON BEACH/PROCTOR-SILEX, INC. DÉCLINE TOUTE RESPONSABILITÉ POUR LES DOMMAGES INDIRECTS OU PERTES ACCIDENTELLES CAUSÉS PAR L'UTILISATION DE CET APPAREIL. Certains États ou provinces ne permettent pas cette exclusion ou limitation des pertes accidentelles ou fortuites, de sorte que le refus de responsabilité précédent peut ne pas vous être applicable. Si vous avez une réclamation en vertu de cette garantie, NE PAS RETOURNER L'APPAREIL AU MAGASIN! Veuillez composer notre NUMÉRO D'AIDE AUX CLIENTS. (Pour un service plus rapide, ayez sous la main les numéros du modèle, de la série et du type pour que l'opérateur puisse vous aider).

NUMÉROS D'ASSISTANCE AUX CLIENTS

Aux É.-U. 1-800-851-8900
Au Canada 1-800-267-2826

Adresse du site Web : www.hamiltonbeach.com

CONSERVER CES NUMÉROS POUR RÉFÉRENCE ULTÉRIEURE.

Cette garantie vous confère des droits juridiques spécifiques; vous pouvez également jouir d'autres droits, variables d'un État à un autre ou d'une province à une autre.

HAMILTON BEACH ♦ PROCTOR-SILEX, INC.

Washington, North Carolina 27889

840060200

10

PROCTOR-SILEX CANADA, INC.

Picton, Ontario K0K 2T0

Adresse du site Web: www.hamiltonbeach.com

10/99

The Crock Caddy

CONSUMER SAFETY INFORMATION

- Read all instructions.
- Always refer to your slow cooker's Use & Care booklet for safe operation of the appliance.
- Close supervision is necessary when any appliance is used by or near children.
- Only use the caddy with slow cookers.
- The food must be cooked according to the instructions in the slow cooker Use & Care booklet to assure safe food temperatures.
- Do not touch hot surfaces.
- To maintain a safe food temperature, place slow cooker with cover into the caddy as soon as food is thoroughly cooked according to the recipe. Secure the slow cooker as instructed below.
- **To maintain safe food temperatures, do not leave slow cooker in caddy longer than 2 hours before serving, if the caddy is exposed to cold temperatures, this time will be shortened.**
- To avoid spills, always use and secure the slow cooker cover when transporting. Do not overfill the crock.
- To reduce spills or leaking the slow cooker must be completely secured as instructed below and the caddy should be kept stable and level.
- Remove the cover of the slow cooker carefully to avoid scalding from escaping steam or condensation.
- Do not place the caddy in any oven or microwave.

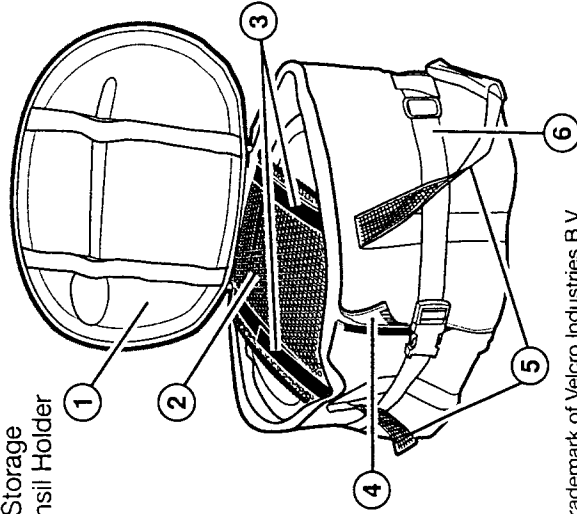
SAVE THESE INSTRUCTIONS

! WARNING

- To reduce risk of fire, shock, and burn hazard:
- Never plug in and operate slow cooker while in this caddy.
 - Always use pot holders or oven mitts when handling slow cooker.

Parts & Features

1. Caddy Lid with Storage Pocket and Utensil Holder
2. Cover Net
3. 2 Velcro® Straps
4. Center Velcro®
5. Caddy Handles
6. Adjustable Belt



Velcro® is a registered trademark of Velcro Industries B.V.

To Use

1. Make sure the food has been thoroughly cooked according to the recipe. Turn the slow cooker off and unplug from outlet. Place slow cooker in caddy immediately to retain heat.
2. Unzip the caddy and open caddy lid. Pull apart the center Velcro®. Make sure handles and 2 Velcro® straps are outside of caddy. Make sure the cover net is attached to the caddy lid.
3. Remove crock from slow cooker base. Place slow cooker into the caddy. Replace crock into base. If your slow cooker has a feature to secure the cover, please use it.
4. Detach the cover net by pulling away from the caddy lid.
5. Place the cover net over the top of the slow cooker and tightly secure with the 2 Velcro® straps found in the front of the caddy.
6. Reattach the center Velcro® at the front of the caddy. Zip the caddy lid closed.
7. The caddy will fit most slow cooker models by adjusting the outside belt. To adjust, unhook and tighten or loosen the belt to fit.
8. Transport the caddy and slow cooker on a level surface.
9. To unpack, unhook the belt, unzip and lift caddy lid. Pull apart the center Velcro®. Remove the 2 Velcro® straps on cover net and attach net to caddy lid to secure. Remove slow cooker. Plug in and heat for serving.

The caddy features a utensil holder area found under the cover. Insert utensils under elastic straps. Also, there is a storage pocket on top of the cover to store your hot mitts, napkins, or other accessories.

To Clean

- Wipe the caddy with a damp, soapy cloth. Wipe dry with a clean towel. The caddy may also be handwashed in a sink in warm water with mild detergent. Rinse thoroughly and let air dry completely before storing or using again.
- Do not place the caddy in the dishwasher or washing machine to clean.

TWO YEAR LIMITED WARRANTY

Hamilton Beach/Proctor-Silex, Inc. warrants this appliance to be free from defects in material and workmanship for a period of two (2) years from the date of original purchase, except as noted. There is no warranty with respect to the following, which may be supplied with this appliance: glass parts, glass containers, cutter/strainer, nonstick soleplate and/or nonstick cooking surfaces. This warranty extends only to the original consumer purchaser and does not cover damage from abuse, neglect, use for commercial purposes, or any other use not found in the printed directions. **HAMILTON BEACH/PROCTOR-SILEX, INC. EXPRESSLY DISCLAIMS ALL RESPONSIBILITY FOR CONSEQUENTIAL DAMAGES OR INCIDENTAL LOSSES CAUSED BY USE OF THIS APPLIANCE.** Some states or provinces do not allow this exclusion or limitation of incidental or consequential losses, so the foregoing disclaimer may not apply to you. If you have a claim under this warranty, **DO NOT RETURN THE APPLIANCE TO THE STORE!** Please call our CUSTOMER SERVICE NUMBER. (For faster service please have model and serial numbers ready for operator to assist you.)

CUSTOMER SERVICE NUMBER

In the U.S. 1-800-851-8900
 Web site address: www.hamiltonbeach.com or
www.proctorsilex.com

KEEP THIS NUMBER FOR FUTURE REFERENCE!

This warranty gives you specific legal rights, and you may also have other legal rights which vary from state to state, or province to province.

HAMILTON BEACH PROCTOR-SILEX, INC.

Washington, North Carolina 27889

840064000 Web site address: www.hamiltonbeach.com or www.proctorsilex.com

10/99

Free Manuals Download Website

<http://myh66.com>

<http://usermanuals.us>

<http://www.somanuals.com>

<http://www.4manuals.cc>

<http://www.manual-lib.com>

<http://www.404manual.com>

<http://www.luxmanual.com>

<http://aubethermostatmanual.com>

Golf course search by state

<http://golfingnear.com>

Email search by domain

<http://emailbydomain.com>

Auto manuals search

<http://auto.somanuals.com>

TV manuals search

<http://tv.somanuals.com>