

# Electric Fireplace Heater

---

Item 68754

## **⚠ WARNING**

Read this material before using this product.  
Failure to do so can result in serious injury.  
**SAVE THIS MANUAL.**



When unpacking, make sure that the product is intact and undamaged.  
If any parts are missing or broken, please call 1-800-444-3353 as soon as possible.

Visit our website at: <http://www.harborfreight.com>

## Specifications

Electrical Input	120V~ / 60Hz / 12.7 A
Heat Settings	750W / 1500W
Light Bulb Type	40W Type B-10 Candelabra



When using electrical appliances, basic precautions should always be followed to reduce the risk of fire, electric shock, and injury to persons, including the following:

1. Read all instructions before using this heater.
2. **This heater does not include a tip over switch. It must be monitored at all times during use to prevent tipping and fire, especially if pets or children are in the house.**
3. This heater is hot when in use. To avoid burns, do not let bare skin touch hot surfaces. Use handles when moving this heater. Keep combustible materials, such as furniture, pillows, bedding, papers, clothes, and curtains at least 3 feet (0.9 m) from the front of the heater and keep them away from the sides and rear.
4. Extreme caution is necessary when any heater is used by or near children or invalids and whenever the heater is left operating and unattended.
5. Always unplug heater when not in use.
6. Do not operate any heater with a damaged cord or plug or after the heater malfunctions, has been dropped or damaged in any manner. Return heater to authorized service facility for examination, electrical or mechanical adjustment, or repair.
7. Do not use outdoors.
8. This heater is not intended for use in bathrooms, laundry areas and similar indoor locations. Never locate heater where it may fall into a bathtub or other water container.
9. Do not run cord under carpeting. Do not cover cord with throw rugs, runners, or similar coverings. Arrange cord away from traffic area and where it will not be tripped over.
10. To disconnect heater, turn controls to off, then remove plug from outlet.
11. Do not insert or allow foreign objects to enter any ventilation or exhaust opening as this may cause an electric shock or fire, or damage the heater.
12. To prevent a possible fire, do not block air intakes or exhaust in any manner. Do not use on soft surfaces, like a bed, where openings may become blocked.
13. A heater has hot and arcing or sparking parts inside. Do not use it in areas where gasoline, paint, or flammable liquids are used or stored.
14. Use this heater only as described in this manual. Any other use not recommended by the manufacturer may cause fire, electric shock, or injury to persons.

## Save This Manual

Keep this manual for the safety warnings and precautions, assembly, operating, inspection, maintenance and cleaning procedures. Write the product's serial number in the back of the manual near the assembly diagram (or month and year of purchase if product has no number). Keep this manual and the receipt in a safe and dry place for future reference.

## IMPORTANT INSTRUCTIONS

In this manual, on the labeling, and all other information provided with this product:



**This is the safety alert symbol. It is used to alert you to potential personal injury hazards. Obey all safety messages that follow this symbol to avoid possible injury or death.**

### **⚠ DANGER**

**DANGER indicates a hazardous situation which, if not avoided, will result in death or serious injury.**

### **⚠ WARNING**

**WARNING indicates a hazardous situation which, if not avoided, could result in death or serious injury.**

### **⚠ CAUTION**

**CAUTION, used with the safety alert symbol, indicates a hazardous situation which, if not avoided, could result in minor or moderate injury.**

### **NOTICE**

**NOTICE is used to address practices not related to personal injury.**

### **CAUTION**

**CAUTION, without the safety alert symbol, is used to address practices not related to personal injury.**





- 15. Avoid the use of an extension cord because the extension cord may overheat and cause a risk of fire. However, if you have to use an extension cord, the cord shall be 14 AWG minimum size and rated not less than 1,524 watts.
- 16. The output of this heater may vary and its temperature may become intense enough to burn exposed skin. Use of this heater is not recommended for persons with reduced sensitivity to heat or an inability to react to avoid burns.
- 17. Heater service must be performed only by an authorized service representative. Service or maintenance performed by unqualified personnel could result in a risk of fire or injury.
- 18. This double insulated heater is equipped with a polarized plug (one blade is wider than the other). This plug will fit in a polarized outlet only one way. If the plug does not fit fully in the outlet, reverse the plug. If it still does not fit, contact a qualified electrician to install a polarized outlet. Do not change the plug in any way. Connect to properly grounded outlets only.
- 19. Do not abuse the Power Cord. Never use the Power Cord to carry this heater or pull the Plug from an outlet. Keep the Power Cord away from heat, oil, or sharp edges. Replace damaged Power Cords immediately. Damaged Power Cords increase the risk of electric shock.
- 20. Disconnect the Power Cord Plug from the power source and allow the heater to thoroughly cool before making any adjustments, changing accessories, or storing this heater. Such preventive safety measures reduce the risk of burns.
- 21. When servicing this heater, use only identical replacement parts. Follow instructions in the "Inspection, Maintenance, and Cleaning" section of this manual. Use of unauthorized parts or failure to follow maintenance instructions may create a risk of electric shock or injury.
- 22. People with pacemakers should consult their physician(s) before use. Electromagnetic fields in close proximity to heart pacemaker could cause pacemaker interference or pacemaker failure.

- 23. **WARNING:** Handling the cord on this product will expose you to lead, a chemical known to the State of California to cause cancer, and birth defects or other reproductive harm. Wash hands after handling. (California Health & Safety Code § 25249.5, *et seq.*)
- 24. The warnings, precautions, and instructions discussed in this instruction manual cannot cover all possible conditions and situations that may occur. It must be understood by the operator that common sense and caution are factors which cannot be built into this product, but must be supplied by the operator.



## SAVE THESE INSTRUCTIONS.

### Symbology

	Double Insulated
	Canadian Standards Association
	Underwriters Laboratories, Inc.
	Volts Alternating Current
	Amperes
$n_0$ xxxx/min.	No Load Revolutions per Minute (RPM)
	Read the manual before set-up and/or use.
	<b>WARNING</b> marking concerning Risk of Fire. Do not cover ventilation ducts. Keep flammable objects away.
	<b>WARNING</b> marking concerning Risk of Electric Shock. Properly connect power cord to appropriate outlet.

## Assembly



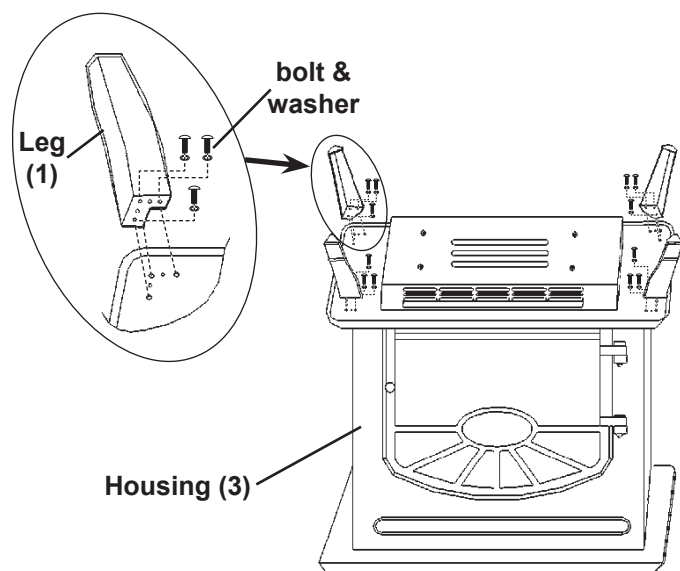
Read the **ENTIRE IMPORTANT SAFETY INFORMATION** section at the beginning of this manual including all text under subheadings therein before set up or use of this product.

### ⚠ WARNING

**TO PREVENT SERIOUS INJURY FROM BURNS:** Turn the Switches (21) of the heater off, to **O** position, unplug the heater from its electrical outlet, and allow it to cool completely before assembling, moving, or making any adjustments to the heater.

**Note:** For additional information regarding the parts listed in the following pages, refer to *Parts List and Assembly Diagram* on pages 6 and 7.

1. Install one Leg (1) on each corner of the Housing (3) using 3 bolts and washers as shown in Figure A.



**Figure A: Leg Installation**

2. Make sure all legs are installed securely before use. Do not use with any legs missing, bent, crooked or loose.

## Operating Instructions



Read the **ENTIRE IMPORTANT SAFETY INFORMATION** section at the beginning of this manual including all text under subheadings therein before set up or use of this product.

## Area Precautions

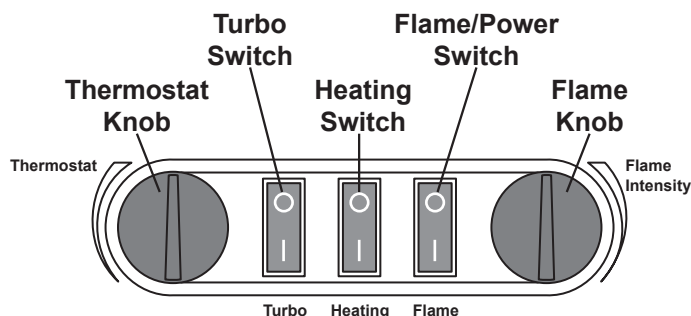
### ⚠ WARNING

**TO PREVENT SERIOUS INJURY FROM BURNS:** Turn the Switches (21) of the heater off, to **O** position, unplug the heater from its electrical outlet, and allow it to cool completely before assembling, moving, or making any adjustments to the heater.

1. Place Heater on dry, hard, stable floor away from combustible materials. **DO NOT USE ON CARPET.**
2. Supervise children closely when near heater.
3. Keep pets away from heater.

## Controls

**Note:** Controls are located inside the Door (2). Use the Door Handle (5) to open the Door.



**Figure B: Control Panel**

**Flame/Power Switch:** Switch to **I** position to turn the unit on and enable the flame effect.

**Flame Knob:** Adjusts the intensity of the flame effect while the Flame/Power Switch is in the **I** position. **Does not effect the heat output.**

**Heating Switch:** Switch to **I** position while the Flame/Power Switch is in the **I** position to turn on the blower and the heating element. The heating element will turn off once the temperature triggers the thermostat, but the fan will continue operating.

**Turbo Switch:** Switch to **I** position while both the Flame/Power Switch and the Heating Switch are in the **I** position to set the heating element to high heat.

**Thermostat Knob:** Adjusts the temperature at which the heating element shuts off while the Heating Switch is in the **I** position. The fan and flame effect will continue even if the heating element shuts off. The heating element will restart once the temperature falls.

## General Operating Instructions

1. Turn the Switches (21) of the heater off, to **O** position, to prevent accidental operation. Then plug the heater into a grounded 120V~ electrical outlet.
2. Adjust the controls as desired, see Figure B. Then close the Door (2).
3. After use, to prevent accidents, turn the Switches (21) of the heater off, to **O** position, and disconnect its power cord.

**WARNING!** Do not leave the heater unattended while switched on.

4. **WARNING!** Allow heater to cool completely before cleaning or storage. Once cool, clean, then store the heater indoors out of children's reach.

## Maintenance and Servicing



Procedures not specifically explained in this manual must be performed only by a qualified technician.

## !WARNING

**TO PREVENT SERIOUS INJURY FROM BURNS:** Turn the Switches (21) of the heater off, to **O** position, unplug the heater from its electrical outlet, and allow it to cool completely before assembling, moving, or making any adjustments to the heater.

**TO PREVENT SERIOUS INJURY AND FIRE FROM HEATER FAILURE:**

Do not use damaged equipment. If abnormal noise or vibration occurs, have the problem corrected before further use.

## Cleaning, Maintenance, and Lubrication

1. **BEFORE EACH USE**, inspect the general condition of the heater. Check for loose hardware, misalignment or binding of moving parts, cracked or broken parts, damaged electrical wiring, and any other condition that may affect its safe operation.
2. Wipe the exterior surfaces of the heater occasionally with a *slightly* moist cloth (not dripping wet). Dry the case thoroughly with a soft dry cloth before operating the heater.

**WARNING!** Do not allow water to run into the interior of the heater as this could create a fire or electric shock hazard.

## Changing the Light Bulb

1. Use the Door Handle (5) to open the Door (2).
2. Loosen the 2 screws at the front of the Log (13) inside the heater.
3. Carefully lift the Log up far enough to access the 40W Type B-10 Candelabra Bulb (10). See Figure C.

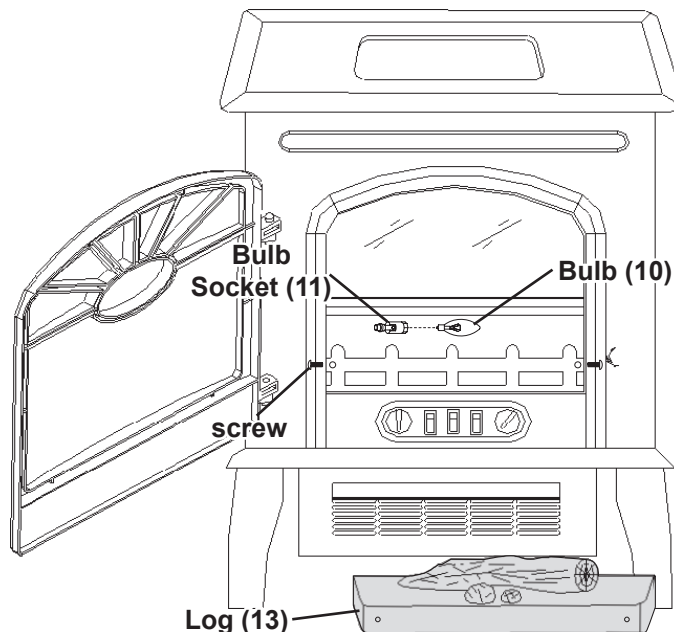


Figure C: Bulb Replacement

4. Replace the burned out Bulb using a new 40W Type B-10 Candelabra Bulb.

**WARNING!** TO PREVENT SERIOUS INJURY: Do not use a different type of light bulb or one with output greater than 40 watts to prevent fire.

5. Reinstall the Log using the two screws.

## Troubleshooting

**If the heater does not operate:**

- a. Make sure that the heater is plugged in.
- b. Ensure that the outlet used is powered and that the circuit breaker is not tripped.
- c. Eliminate the use of an extension cord, if possible. Otherwise, use an extension cord with less length or greater size (a lower AWG # indicates increased size).
- d. Check for any obstruction in the heater's vents. If an obstruction is found, unplug the heater and wait for it to cool completely. Then, carefully remove the obstruction.

If the above remedies do not solve the problem, take the heater to a qualified service technician for diagnosis and repair.

### PLEASE READ THE FOLLOWING CAREFULLY

THE MANUFACTURER AND/OR DISTRIBUTOR HAS PROVIDED THE PARTS LIST AND ASSEMBLY DIAGRAM IN THIS MANUAL AS A REFERENCE TOOL ONLY. NEITHER THE MANUFACTURER OR DISTRIBUTOR MAKES ANY REPRESENTATION OR WARRANTY OF ANY KIND TO THE BUYER THAT HE OR SHE IS QUALIFIED TO MAKE ANY REPAIRS TO THE PRODUCT, OR THAT HE OR SHE IS QUALIFIED TO REPLACE ANY PARTS OF THE PRODUCT. IN FACT, THE MANUFACTURER AND/OR DISTRIBUTOR EXPRESSLY STATES THAT ALL REPAIRS AND PARTS REPLACEMENTS SHOULD BE UNDERTAKEN BY CERTIFIED AND LICENSED TECHNICIANS, AND NOT BY THE BUYER. THE BUYER ASSUMES ALL RISK AND LIABILITY ARISING OUT OF HIS OR HER REPAIRS TO THE ORIGINAL PRODUCT OR REPLACEMENT PARTS THERETO, OR ARISING OUT OF HIS OR HER INSTALLATION OF REPLACEMENT PARTS THERETO.

### Parts List

Part	Description	Qty.
1	Leg	1
2	Door	1
3	Housing	1
4	Screen	1
5	Door Handle	1
6	Blower Box	1
7	Blower	1
8	Heating Element	1
9	Thermostat	1
10	Bulb (40W Type B-10 Candelabra)	1
11	Bulb Socket	1

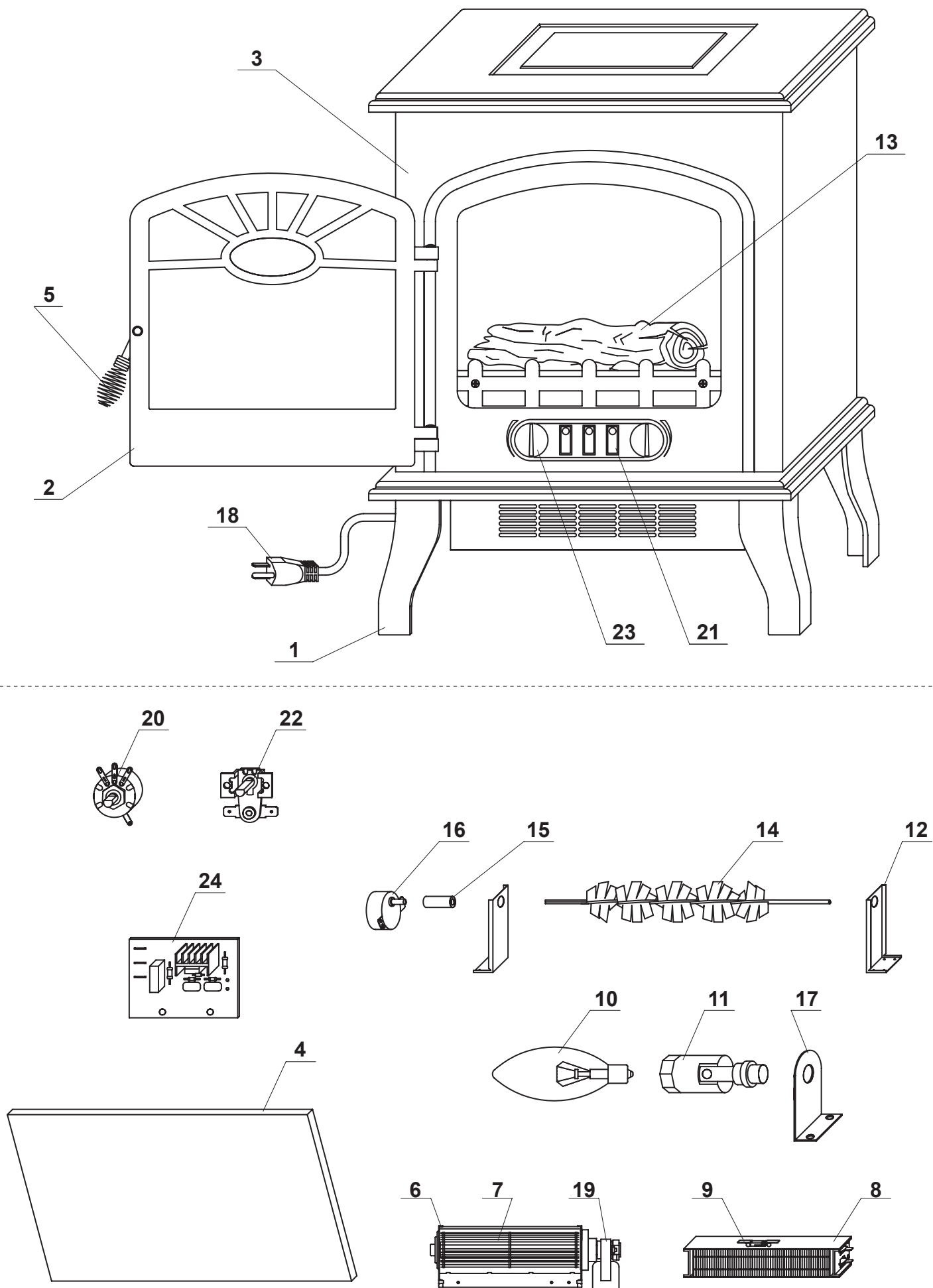
Part	Description	Qty.
12	Motor Bracket	2
13	Log	1
14	Reflector Roller	1
15	Rubber Sleeve	1
16	Reflector Motor	1
17	Bulb Socket Bracket	1
18	Power Cord	1
19	Blower Motor	1
20	Flame Controller	1
21	Switch	3
22	Temperature Controller	1
23	Knob	2
24	Circuit Board	1

**Record Product's Serial Number Here:** \_\_\_\_\_

**Note:** If product has no serial number, record month and year of purchase instead.

**Note:** Some parts are listed and shown for illustration purposes only, and are not available individually as replacement parts.

# Assembly Diagram



## Limited 90 Day Warranty

Harbor Freight Tools Co. makes every effort to assure that its products meet high quality and durability standards, and warrants to the original purchaser that this product is free from defects in materials and workmanship for the period of 90 days from the date of purchase. This warranty does not apply to damage due directly or indirectly, to misuse, abuse, negligence or accidents, repairs or alterations outside our facilities, criminal activity, improper installation, normal wear and tear, or to lack of maintenance. We shall in no event be liable for death, injuries to persons or property, or for incidental, contingent, special or consequential damages arising from the use of our product. Some states do not allow the exclusion or limitation of incidental or consequential damages, so the above limitation of exclusion may not apply to you. THIS WARRANTY IS EXPRESSLY IN LIEU OF ALL OTHER WARRANTIES, EXPRESS OR IMPLIED, INCLUDING THE WARRANTIES OF MERCHANTABILITY AND FITNESS.

To take advantage of this warranty, the product or part must be returned to us with transportation charges prepaid. Proof of purchase date and an explanation of the complaint must accompany the merchandise. If our inspection verifies the defect, we will either repair or replace the product at our election or we may elect to refund the purchase price if we cannot readily and quickly provide you with a replacement. We will return repaired products at our expense, but if we determine there is no defect, or that the defect resulted from causes not within the scope of our warranty, then you must bear the cost of returning the product.

This warranty gives you specific legal rights and you may also have other rights which vary from state to state.

**3491 Mission Oaks Blvd. • PO Box 6009  
Camarillo, CA 93011 • (800) 444-3353**

**3491 Mission Oaks Blvd. • PO Box 6009 • Camarillo, CA 93011 • (800) 444-3353**



## Free Manuals Download Website

<http://myh66.com>

<http://usermanuals.us>

<http://www.somanuals.com>

<http://www.4manuals.cc>

<http://www.manual-lib.com>

<http://www.404manual.com>

<http://www.luxmanual.com>

<http://aubethermostatmanual.com>

Golf course search by state

<http://golfingnear.com>

Email search by domain

<http://emailbydomain.com>

Auto manuals search

<http://auto.somanuals.com>

TV manuals search

<http://tv.somanuals.com>