



EN Operator's manual p. 3

Please read the operator's manual carefully and make sure you understand the instructions before using the machine.

DE Bedienungsanweisung p. 19

Lesen Sie die Bedienungsanweisung sorgfältig durch und machen Sie sich mit dem Inhalt vertraut, bevor Sie das Gerät benutzen.

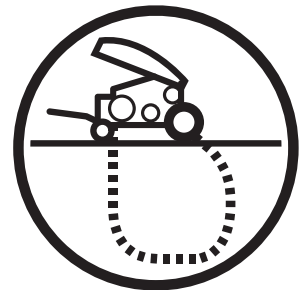
NL Gebruiksaanwijzing p. 35

Neem de gebruiksaanwijzing grondig door en gebruik de machine niet voor u alles duidelijk heeft begrepen.

IT Istruzioni per l'uso p. 51

Prima di usare la macchina, leggere per intero le istruzioni per l'uso e accertarsi di averne compreso il contenuto.

CS 2512



EN DE NL IT

English

Contents

Key to symbols	5
Safety Instructions	6
Introduction	7
What is what	8
Technical data	10
Assembling/Installing equipment	11
Connection to the hydraulic unit	12
Threading the wire.....	12
Placement of the cooling water	13
Operation	14
Sawing.....	14
Finishing sawing.....	14
Cleaning.....	15
Maintenance	15
EU declaration of conformity	17

Key to symbols

The symbols below are used on the machine and in this Operator's Manual. It is important that the user understands the significance of these in order to work with the machine safely.

Manual

Please read the Operator's Manual carefully and understand the contents before the machine is started.



Protective equipment

Always wear:

- Approved protective helmet.
- Approved hearing protection.
- Approved protective glasses or a visor, and other essential safety equipment.



Warning

A large warning triangle with the text "Warning" signifies that there is a risk of serious personal injury or even death.



Caution

A smaller warning triangle with the text "Note" signifies that there is a risk of minor personal injury or damage to the machine.



Remark

A hand with a raised index finger with the text "Attention" signifies that a described element demands extra attention.



CE

This symbol indicates that the machine conforms to applicable EU directives.



Safety Instructions

During the design and production of Husqvarna products, great importance is placed on safety, as well as effectiveness and ease of use. To ensure that the machine remains safe you must pay attention to the following points:



WARNING!

This machine is only intended for use together with a Husqvarna PP 455E or a unit connected to Husqvarna RC 455. All other use is forbidden.



CAUTION

Under no circumstances may the machine be started without observing the safety instructions. Should the user fail to comply with these, Husqvarna Construction Products Sweden AB or its representatives are free from all liability both directly and indirectly. Read through these operating instructions and make sure that you understand the contents before starting to use the machine. Should you, after reading these safety instructions, still feel uncertain about the safety risks involved you must not use the machine. Please contact your dealer for more information.

- Check that all couplings, connections and hydraulic hoses are in full working order.
- Make sure that all hoses are connected to the machine correctly before you start the machine.
- Make sure that there are no persons or animals in the working area.
- Check that the guard is not broken and that it is fitted correctly.
- Never cut without using the guard.
- Never disconnect the hydraulic hoses without first shutting off the hydraulic unit and ensuring the motor has stopped completely.
- Check the machine, couplings and hydraulic hoses daily for leakage. A rupture or leak can cause a "hydraulic fluid injection" in the body or result in other serious physical injury.
- Do not exceed the specified hydraulic fluid flow or pressure for the tool being used. Too high pressure can result in rupturing.
- Do not misuse hoses.
- Do not use hoses that are distorted, worn, or damaged.
- Check that the hoses are connected correctly to the machine and that the hydraulic couplings lock as intended before pressurising the hydraulic system. The couplings are locked by turning the outer sleeve on the female coupling so that the slot moves away from the ball.
- Keep the hydraulic hoses and couplings free from dirt.
- Always switch off the power to the hydraulic unit before moving equipment.
- Always saw in a manner that permits easy access to the emergency stop.
- Never leave the machine unsupervised with the motor running.
- Clearly mark out all cuts to be made before you start sawing, plan these so they can be carried out without danger to persons or the machine.
- Check with building drawings whether electrical cables, water pipes, gas pipes or sewage pipes have been routed within the working area.
- Always check and mark out where gas pipes are routed. Cutting close to gas pipes always entails danger. Make sure that sparks are not caused when cutting in view of the risk of explosion. Remain concentrated and focused on the task. Carelessness can result in serious personal injury or death.
- Check that electrical cables within the working area are not live.
- Hoses that are marked and approved as electrically non conductive must be used when using hydraulic tools on or in the vicinity of electrical cables. The use of other types of hoses can result in serious physical injury or even death.
- Observe care when lifting. You are handling heavy parts, which implies the risk of pinch injuries or other injuries.
- Personal protective equipment and protective clothing as set out in the Operator's manual must always be worn. Never wear loose fitting clothes that can catch in moving parts.
- Only use wire recommended by the manufacturer.
- Never cut without using the cooling water. A poorly cooled wire can result in the segments overheating, which results in greater wear. In the worst case scenario, segments can come loose from the wire and injure persons close to the saw.

Introduction

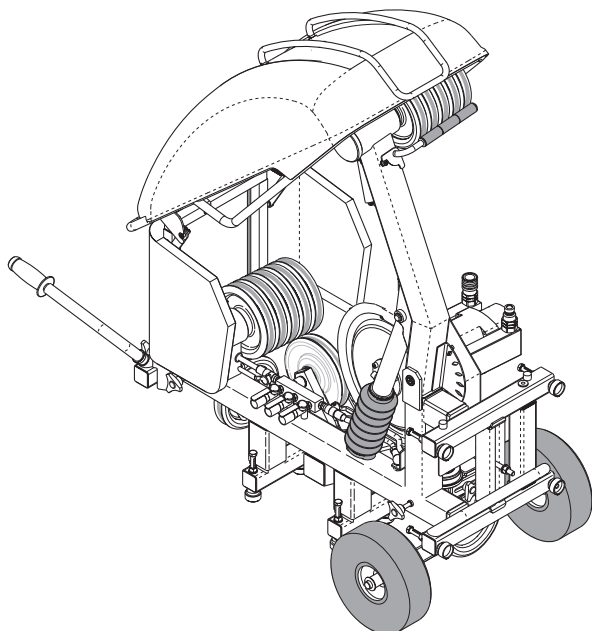
Husqvarna CS 2512 is designed for use together with the hydraulic unit PP 455 E or Husqvarna RC 455. Husqvarna CS 2512 is a powerful and easy to use wire saw with a capacity for really large work, yet at the same time sufficiently compact and mobile for small work. It can be used in many different ways, both on the ground and fitted to the wall.

The well thought-out design of the CS 2512, where the drive wheel is placed on the machine's output side means that the wire is always under tension even when the feed force is low. Combined with the adjustable pressure valve this gives exact control of cutting and unbeatable performance.

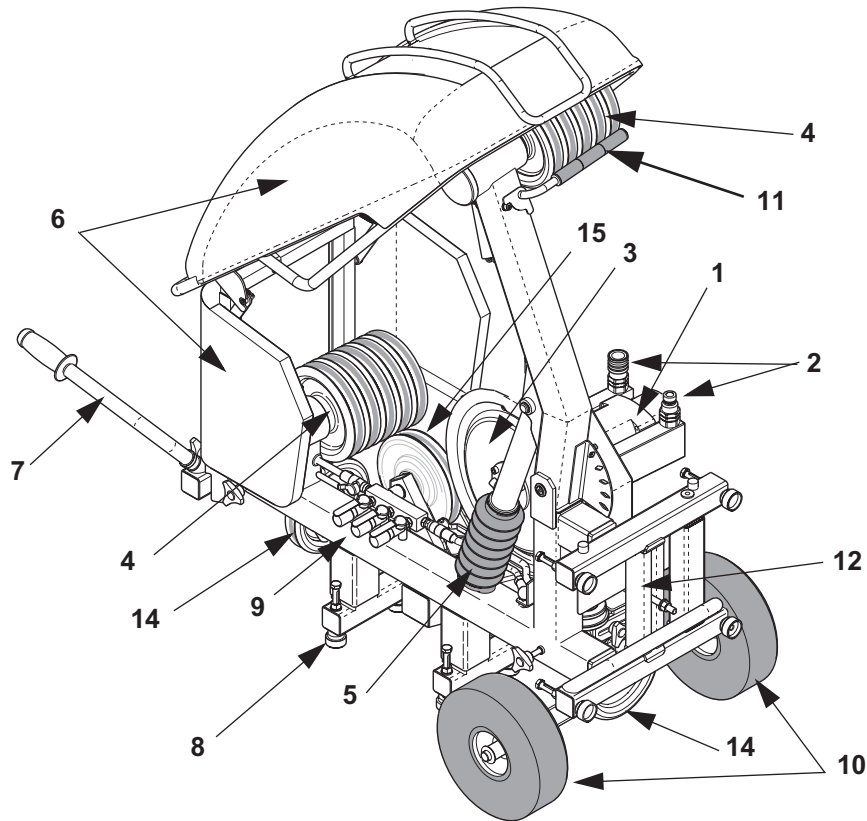
The machine can be rigged both vertically and horizontally and many cuts can be made directly without external idler wheels.

Complete saw equipment consists of:

- 1 x saw unit
- 1 x accessory box
- 1 x 18 mm wrench
- 1 x pressure reduction block
- 1 x extra wear rubber for the magazine wheel
- 1 x cleaning brush



What is what



The saw consists of the following component parts:

1. Hydraulic motor

The machine is powered by a 60 cubic centimetre motor. The motor has two parts, one of 50 cubic centimetres and a smaller part of 10. Two gears are obtained by using either just the large motor or both the large and small motors together. The two gears give different speeds, yet the same power.

2. Hydraulic hose connections

The hydraulic flow in the two large hoses drives the machine's motor and with that the wire. The flow in the two smaller hoses drives the magazine cylinder.

3. Drive wheel

Transfers the motive force from the motor to the wire. The drive wheel is 400 mm in diameter and is covered with replaceable rubber to give as good grip as possible between the drive wheel and wire.

The drive wheel forms together with the hydraulic motor and the hydraulic connections **the drive wheel unit**. The drive wheel unit is adjusted depending on how many wheel sets are used in the magazine. These can easily be dismantled to give a lighter machine during transporting.

4. Wire magazine

Tensions the wire and stores recovered wire. The wire magazine has a capacity to store a maximum of 12 metres of wire (2.4 metres per wheel set).

5. Magazine cylinder

The magazine cylinder tensions the wire in the magazine and with that governs cutting. The pressure in the cylinder is adjusted by means of the pressure reduction block fitted on PP 455E or RC 455.

6. Guard

The machine has a two-piece guard. A fixed part made of sheet metal and a folding cover made of plastic and metal. The guard is easy to remove, e.g. when the wire is threaded, it should always be fitted in position when cutting.

7. Lifting handle

The folding handle is the perfect aid when transporting the machine.

8. Adjustable feet

Adjusted so the saw stands firmly. In total, the saw features 10 feet, six for horizontal cutting and four for the vertical position.

9. Cooling water connections

There are two connections on the machine for water spears and one for the incoming water. Besides cooling the wire with these, the wire is also rinsed when it returns to the machine and when it leaves the machine by small nozzles.

10. Rubber wheels

To facilitate transport. The wheels can be dismantled in some situations to facilitate access on certain jobs. This is done by removing the split pins that lock the wheels on the wheel axle.

11. Wire boom

Holds the wire in against the magazine when the magazine is run in. This prevents the wire tangling when not tensioned, e.g. when changing the wire or when changing the number of wheels used in the magazine.

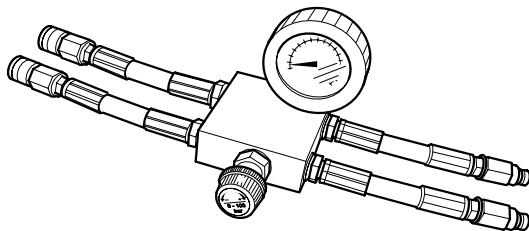
12. Anchor beam

Adjustable beam with a longitudinal slot. By moving this beam sideways, you can position the anchor bolt in a suitable position without the need of moving the entire saw when anchoring the saw before cutting.

An additional anchor beam is placed under the saw. The anchor bolt is secured in this beam when horizontal cutting.

13. Pressure reduction block

The pressure reduction block is fitted between the hydraulic unit and the hydraulic hoses for the input supply. There is a valve located on the pressure reduction block, this is used to control the magazine tension.



14. Swivel wheels

The swivel wheels supported on bearings are located where the wire enters the saw and out through the saw. The swivel wheels help to guide the wire so it is positioned correctly in the saw and can either be locked in a fixed position or used in the unlock position so that the wheels follow the wire.

15. Guide wheel

Guides the wire from the magazine to the drive wheel.

When the drive wheel unit is adjusted, the guide wheel is set automatically depending on the number of magazine wheels used.

Accessories

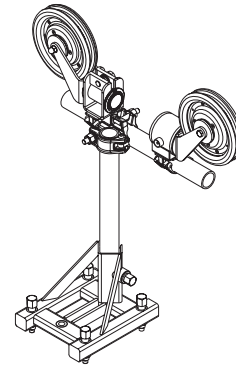
1. Water spear

Connected to the water connections on the saw and used to guide cooling water into the cut to cool the wire and to bind the concrete dust.



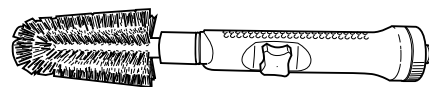
2. Idler wheels

Husqvarna idler wheels are designed to smoothly guide the wire as efficiently as possible. By using idler wheels the number of sharp corners to cut around can be reduced, which means that more of the cutting capacity is used for material removal.

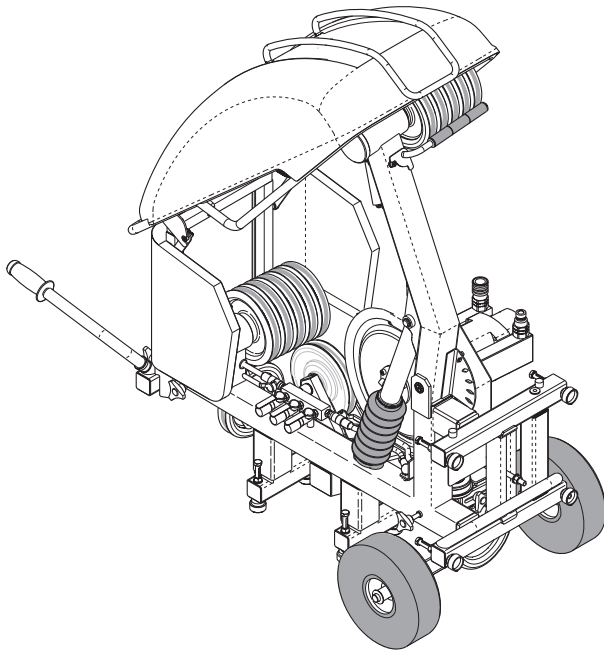


3. Cleaning brush

Can be connected to the water hose and then used to clean the machine after use.



Technical data



Power on drive wheel (with PP 455):	_____	20 kW
Hydraulic oil flow:	_____	65l/min (17 gal/min)
Max permitted hydraulic pressure	_____	230 bar (3400 psi)
Max recommended hydraulic pressure when cutting:	_____	130 bar (1900 psi)
Maximal wire length in the magazine:	_____	12 m (2.4 m/wheel set)
Dimensions, handle folded in and the guard folded down (L x W x H)	_____	1150x750x980 mm
Weight:	_____	150 kg (330lbs)
Wire speed gear 1	_____	20 m/s (66 ft/s)
Wire speed gear 2	_____	25 m/s (82 ft/s)



WARNING

Under no circumstances may modifications be made to the machine without written permission from Husqvarna Construction Products Sweden AB. Non approved modifications put you and others at risk of serious or fatal injuries. Husqvarna Construction Products Sweden AB bears no responsibility for operations that do not conform to these instructions.

Recommended wires:

Husqvarna recommends that the following wires are used:

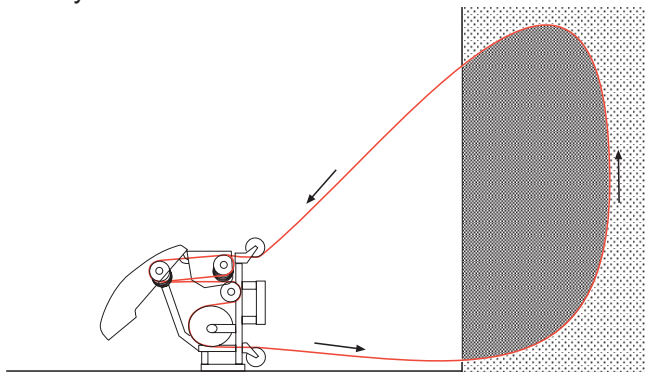
- Husqvarna C710C
 Husqvarna C710C is a galvanised wire developed for use when cutting concrete with a great deal of reinforcement. The segments have a great number of diamonds and a smaller diameter (9.5mm) which means the wire cuts very efficiently. The smaller diameter also means that C710C can be used to finish difficult cuts.
- Husqvarna C750C
 Husqvarna C750C is an all round wire developed for use when cutting reinforced concrete. The wire has been designed for use with saws with an output power between 10 and 25 kW.
- Husqvarna C760C
 This is the Husqvarna premium wire: long life, high cutting rate and high power resistance characterize this wire. Husqvarna C760C can be used to cut all types of reinforced concrete, even when the work places high demands on the wire, for example when cutting bridges.
- Husqvarna C790C
 The segment strength on this wire makes Husqvarna C790C the best choice when cutting soft materials such as mortar, and lightly reinforced limestone concrete.
- Husqvarna C575J
 Husqvarna C575J is a wire with galvanised 15 mm segments.
 Husqvarna C1200M
 HusqvarnaC1200M is a wire developed for use when cutting steel. The wire has been designed for use in extremely demanding situations. The use of the latest sintering technique has given enormous advantages with regard to cutting rates and life span. The wire can be supplied with either joined or loose ends.

For further information about different tools from Husqvarna, contact your Husqvarna dealer.

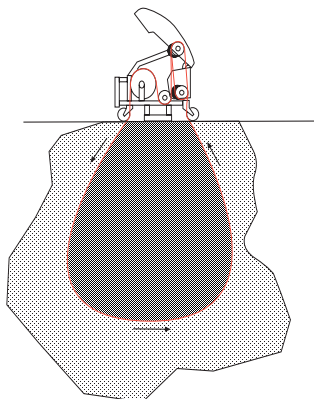
Assembling/Installing equipment

Cutting needs to be planned carefully before assembling the saw so that it can be performed as easily as possible.

Husqvarna CS 2512 can be assembled to make either horizontal or vertical cuts. The saw is assembled standing when you wish to make vertical cuts.



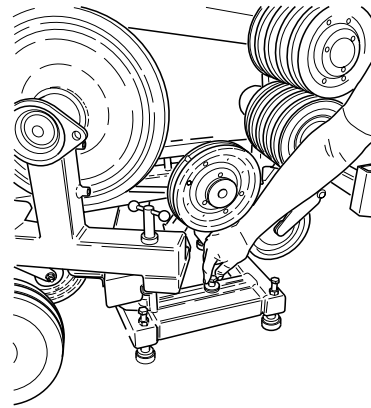
The saw is assembled horizontally when the cut is to be made at floor height and when the cut is made in the floor.



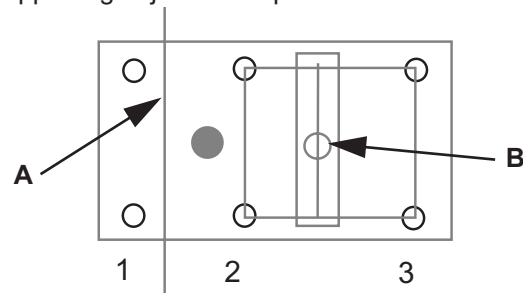
It may be necessary to drill holes to thread the wire through the material to be cut.

Position the saw in an appropriate position in front of the planned cut. When the saw is in position, secure it by screwing down the anchor bolt.

When the saw is anchored to the floor, screw down the adjuster feet so that the saw stands firmly.



Remember that the machine's centre of gravity (the grey circle) is positioned between the first and second pairs of adjuster feet (the adjuster feet pairs are marked 1-3) with a horizontal cut (A). When cutting under the machine, it is important that the saw is anchored well with the anchor bolt (b) as the adjuster feet pairs 2 and 3 must be used. (Adjuster feet pair 1 may rest on the sawn off section.) If the saw is not anchored well it will overturn when the material supporting adjuster feet pair 1 has been cut through.



If necessary, fit idler wheels to assist the cutting process. Using the idler wheels allows the number of sharp corners that the wire must be pulled around can be reduced, which results in less wear to the wire at the same time as cutting is made easier. Using the idler wheels also lets the wire be guided in different directions without the need of moving the saw unit.

Also, use the idler wheels to capture the wire when finishing the cut.



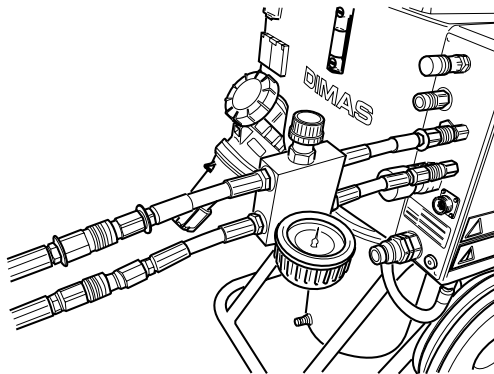
WARNING!

Always position the saw so that you can stand without the risk of being hit by a broken wire. Ensure that no unauthorised persons can access the working area while cutting. Being hit by a broken wire can result in death or serious personal injury.

Connection to the hydraulic unit

When the saw is assembled appropriately, it should be connected to a hydraulic unit. Husqvarna CS 2512 is designed for use with Husqvarna PP 455 or Husqvarna RC 455.

1. Check that the hydraulic unit is connected to the power.
2. Connect the cooling water to the motor on the hydraulic unit.
3. Check that the display on the remote control shows "CONNECT HOSE BUNDLE". If not follow the instructions in the Operator's manuals for PP 455E or RC 455.
4. Fit the two large hydraulic hoses on the unit first and then to the saw motor connections. Lock the couplings by turning the sleeve on the coupling so that the slot moves away from the ball.
5. Fit the pressure reduction block on the hydraulic unit as set out in the instructions on the block.
6. Connect the two smaller hydraulic hoses to the pressure reduction block. The hoses in the hose bundle marked with a red disc by the coupling shall be connected to the hose on the pressure reduction block that is also fitted with a disc.



Lock the couplings by turning the sleeve on the coupling so that the slot moves away from the ball.

7. Fit the two hoses connected on the pressure reduction block to the hoses to the feed cylinder on the saw. The hoses in the hose bundle marked with a red disc by the coupling shall be connected to the hose on the saw that is also fitted with a disc.
8. Connect the water hose to the incoming water on the saw.

If the couplings jam when assembling, they should be removed completely before being refitted.

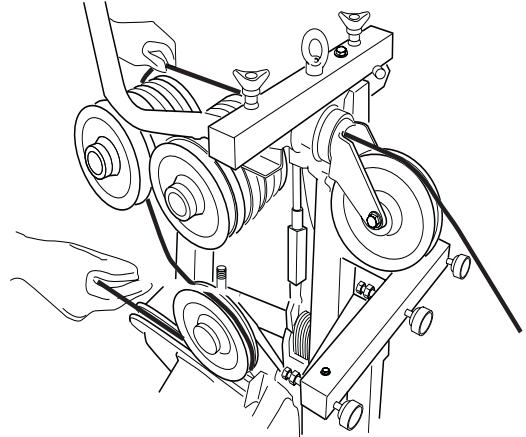
Make sure that the couplings on the hoses not in use do not lie directly on the ground.

Always keep the couplings as clean as possible. A clean coupling lasts longer.

Threading the wire

The guard can easily be lifted off to facilitate fitting wire. Now thread the wire as follows:

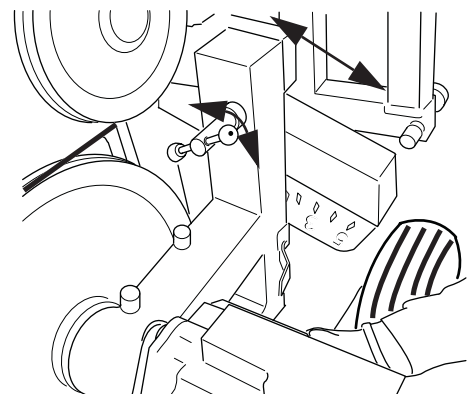
1. Make sure the magazine is in the min position.
2. Place the wire around the work piece, possibly through the predrilled holes and back to the saw.
3. Thread the wire through the hole by the swivel wheel and around a suitable number of wheel sets in the magazine.



4. Adjust the drive wheel unit according to the number of wheel sets used in the magazine:

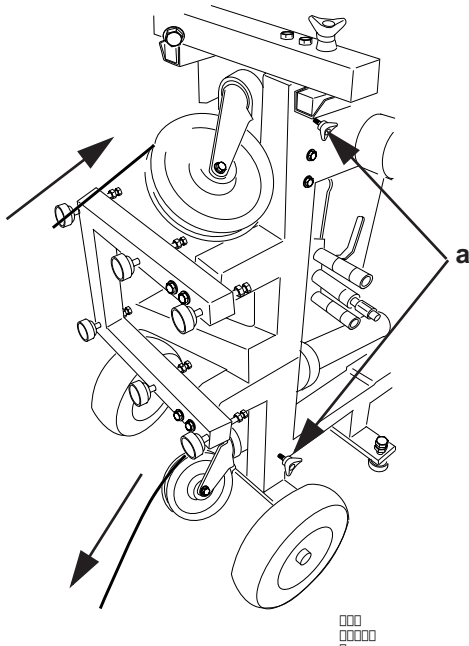
Loosen the arm by screwing out the knob anti-clockwise. Now turn the drive wheel unit so that the arm is aligned with the markings on the saw. Lock the drive wheel unit by turning back the knob.

Usually only one wheel set is used in the first stage of cutting.

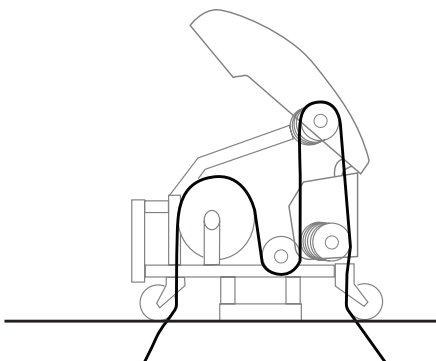


□□□□□□□□

- Thread the wire around the drive wheel and out through the hole by the second swivel wheel. The swivel wheel can rotate and be locked in the required position by turning the marked (A) knobs.



- Before the joints on the wire are connected, the wire should be twisted 1 to 2 turns per metre wire used. It is important to twist the wire in the same direction as it is spun. This is to give as even wear as possible on the wire's diamond segments.
- Lock the wire with a pin. If there are no end sleeves on the wire, these must be spliced on to the wire. A special pair of wire pliers must be used. If you are unsure about which model you should use, contact your DIMAS dealer.
- When the wire is routed correctly it should run through the machine as in the figure below:

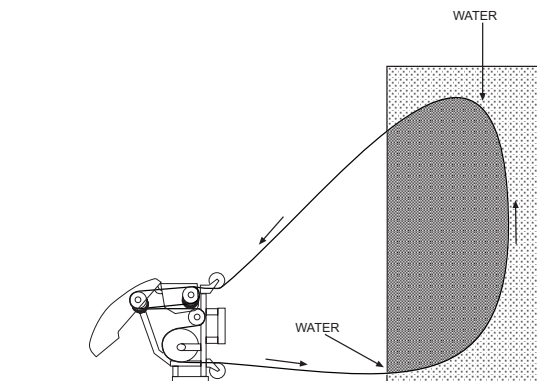


CAUTION

A used wire must always be run in the same direction, as it was previously run in order to prevent unnecessary wear.

Placement of the cooling water

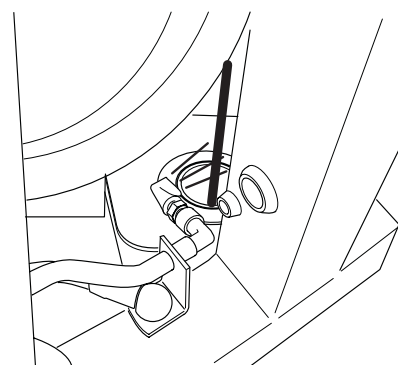
Husqvarna CS 2512 is equipped with two outlets for the cooling water. Ideally, Husqvarna water spears can be connected to these. The water spears are then placed where the wire enters the concrete. In this way the wire takes water with it into the cut, which results in the concrete dust binding and that the wire is cooled efficiently.



CAUTION

In order for the water to cool the wire as intended during cutting, it is essential to adjust the position of the cooling water as the material is cut. Remember to always stop the machine when you do this.

In addition to the cooling water from the water spear, the wire is rinsed by the two swivel wheels on the machine. This is to keep the wire as clean as possible, which means that the saw can work with less friction losses and greater efficiency as the wire becomes cleaner.



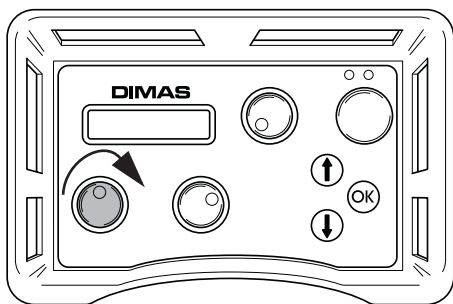
□□□□□□

Operation

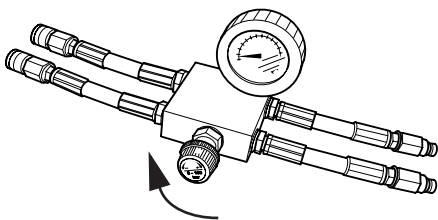
Sawing

When all the equipment has been assembled cutting can start. In order for the saw to cut as efficiently as possible it should be started as follows:

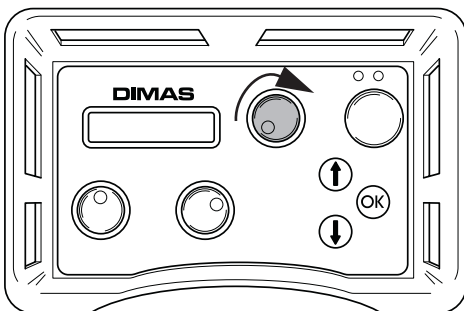
1. Close the valve on the pressure reduction block by turning the knob anti-clockwise until it stops and then two turns back.
2. Start the hydraulic unit.
3. Set the feeding flow on the unit to max by turning the control on the remote control clockwise.



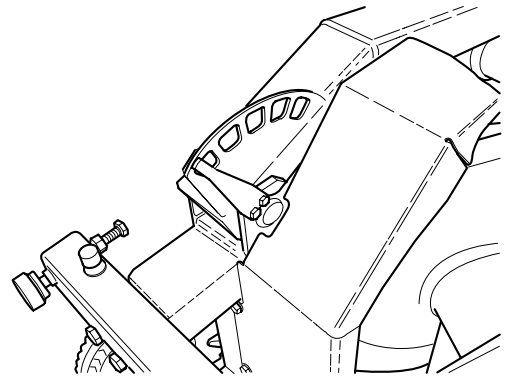
4. Tension the wire by carefully turning the knob on the pressure reduction block clockwise until the wire is tensioned sufficiently. Make sure to always check that the wire is seated correctly in all the wheels on the saw.



5. Start the motor's rotation by turning the control for motor rotation on the remote control clockwise.



6. Carefully increase the motor speed by turning the control for motor rotation. A suitable working pressure when cutting usually lies between 100 and 130 bar, but varies depending on how many wheel sets are used in the magazine, how much wire is in use and the hardness of the material to be cut.
7. As the material is cut away the working pressure drops, which is shown on the display, and the magazine must then be tensioned. Do this by turning the knob on the pressure reduction block clockwise.
8. The output tension on the magazine is shown by an indicator on the machine (shown in the min position). When the magazine cylinder is fully tensioned, the machine must be stopped and the wire must be wound around a new wheel set. Then continue to cut as above.



CAUTION

In order for the water to cool the wire as intended during cutting, it is essential to adjust the position of the cooling water as the material is cut. Remember to always stop the machine when you do this.

Finishing sawing

1. Lower the speed on the wire and allow the motor to stop completely.
2. Fold up the magazine arm.
3. Disconnect the incoming mains cable from the hydraulic unit.
4. Disconnect the hydraulic hoses and the water hose from the saw unit.
5. Other steps are done in the reverse order.

Cleaning

The saw should be cleaned once cutting is finished. It is important to clean all the saw equipment. It is a good idea to disconnect the water hose from the pivot arm and use this to wash down the saw unit. If necessary, you can also use the supplied cleaning brush or the like to clean the equipment. Do not use a high pressure washer to clean the saw.

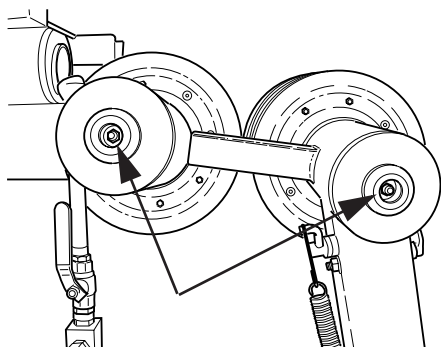
Maintenance

In addition to the daily maintenance such as cleaning and lubrication, the machine must be serviced. After 50 hours of cutting, the machine should be serviced at an accredited Husqvarna workshop. The saw should then be serviced after every 100 hours of operation. The service is important so that as the user you have a machine that works as effectively as possible for a long time.

Lubrication

In order for the wire to run as friction free as possible, the magazine axles must be filled with grease. Fill with grease after every 5 -10 hours of operation. Use Canadian Petroleum OG2 or similar grease.

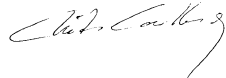
The bearings on the magazine axles also need to be lubricated regularly, but not as often as the magazine axles.



EU declaration of conformity

Husqvarna Construction Products Sweden AB, Box 2098, 550 02 Jönköping, Sweden, tel: 036-570 60 00, hereby declares that the wire saw CS 2512, from serial number 01001 onwards, is manufactured in compliance with the Council's machinery directive 98/37/EC, low-voltage directive 73/23/EEC and EMC directive 89/336/EEC, including subsequent amendments, and that the following standards have been used for guidance: EN 55 014-1, EN 55 014-2, EN 61 000-3-2, EN 50 144-1, EN 13 862.

Jönköping 2005-01-01



Christer Carlberg
Managing Director

Deutsch

Inhalt

Symbolerklärung	21
Sicherheitsvorschriften	22
Einleitung	23
Komponentenerklärung	24
Technische Daten	26
Ausrüstung montieren/installieren	27
An Hydraulikaggregat anschließen	28
Seil einlegen	28
Kühlwasserpositionierung	29
Bedienung	30
Sägen	30
Schneidvorgang beenden	30
Reinigung	31
Wartung	31
Konformitätserklärung	33

Symbolerklärung

Diese Symbole sind auf der Maschine und in der Bedienungsanleitung angegeben. Um sicher mit der Maschine arbeiten zu können, muss der Bediener ihre Bedeutung verstehen.

Anleitung

Lesen Sie vor der Inbetriebnahme der Maschine die Bedienungsanleitung aufmerksam durch und machen Sie sich mit dem Inhalt vertraut.



Schutzausrüstung

Verwenden Sie stets:

- einen zugelassenen Schutzhelm,
- einen zugelassenen Gehörschutz,
- eine zugelassene Schutzbrille oder einen Gesichtsschutz sowie sonstige erforderliche Schutzausrüstung.



Warnung

Ein großes Warndreieck mit dem Zusatz „Warnung“ bedeutet, dass die Gefahr von schweren, sogar lebensgefährlichen Verletzungen besteht.



Achtung

Ein kleines Warndreieck mit dem Zusatz „Achtung“ bedeutet, dass die Gefahr von leichteren Verletzungen oder Maschinenschäden besteht.



Bemerkung

Eine Hand mit erhobenem Zeigefinger mit dem Zusatz „Anmerkung“ bedeutet, dass ein beschriebener Vorgang zusätzliche Aufmerksamkeit erfordert.



CE

Dieses Symbol weist darauf hin, dass die Maschine den geltenden EU-Richtlinien entspricht.



Sicherheitsvorschriften

Bei der Konstruktion und Herstellung von Husqvarna-Produkten wurde neben der Leistungsfähigkeit und Benutzerfreundlichkeit größtes Gewicht auf die Sicherheit gelegt. Folgende Punkte sind zu beachten, um einen sicheren Maschinenbetrieb zu gewährleisten:



WARNUNG!

Diese Maschine darf nur zusammen mit Husqvarna PP 455E oder einem Aggregat genutzt werden, das an Husqvarna RC 455 angeschlossen ist. Jegliche andere Verwendung ist unzulässig.



ACHTUNG

Die Maschine darf ausschließlich unter Befolgung der Sicherheitsvorschriften gestartet werden. Bei Missachtung der Vorschriften seitens des Bedieners haftet Husqvarna Construction Products Sweden AB oder ihre Vertreter weder direkt noch indirekt. Lesen Sie die Bedienungsanleitung aufmerksam durch und machen Sie sich mit dem Inhalt vertraut, bevor Sie die Maschine benutzen. Sollten Sie sich auch nach Lektüre der Sicherheitsvorschriften nicht über die vorliegenden Sicherheitsrisiken im Klaren sein, dürfen Sie die Maschine nicht benutzen. Ihr Fachhändler erteilt auf Anfrage gern weitere Informationen.

- Stellen Sie sicher, dass alle Verbindungen, Anschlüsse und Hydraulikschläuche unbeschädigt sind.
- Kontrollieren Sie vor der Inbetriebnahme, ob alle Schläuche korrekt an der Maschine angeschlossen sind.
- Vergewissern Sie sich, dass sich im Arbeitsbereich keine Personen oder Tiere aufhalten.
- Überprüfen Sie, ob alle Schutzvorrichtungen unbeschädigt und korrekt montiert sind.
- Schneiden Sie niemals ohne Schutzvorrichtungen.
- Hydraulikschläuche dürfen erst abgenommen werden, nachdem das Hydraulikaggregat abgeschaltet wurde und der Motor zum Stillstand gekommen ist.
- Überprüfen Sie täglich die Maschine sowie alle Verbindungen und Hydraulikschläuche auf Undichtigkeiten. Lecks oder ein Bersten von Schläuchen können zu einem Eindringen von Öl in den Körper oder zu anderen schweren Verletzungen führen.
- Die für das jeweilige Werkzeug angegebenen Werte für den Öldurchfluss oder Öldruck dürfen nicht überschritten werden. Ein zu hoher Druck kann zu einem Bersten der Schläuche führen.
- Achten Sie stets auf die Unversehrtheit der verwendeten Schläuche.
- Benutzen Sie keine deformierten, verschlissenen oder beschädigten Schläuche.
- Stellen Sie sicher, dass die Schläuche korrekt an die Maschine angeschlossen sind und die Hydraulikkupplungen ordnungsgemäß verriegelt wurden, bevor das Hydrauliksystem unter Druck gesetzt wird. Um die Kupplungen zu verriegeln, drehen Sie die Außenhülse der Buchsenkupplung, wodurch sich die Nut von der Kugel entfernt.
- Halten Sie Hydraulikschläuche und Verbindungen sauber.
- Schalten Sie den Hauptschalter für das Hydraulikaggregat stets aus, bevor die Ausrüstung bewegt wird.
- Arbeiten Sie stets so, dass der Nothalt schnell und einfach zu erreichen ist.
- Lassen Sie die Maschine niemals unbeaufsichtigt mit laufendem Motor stehen.
- Vor dem Schneiden sind alle auszuführenden Schnitte deutlich zu markieren und zu planen, sodass sie ohne Gefahr für Mensch oder Maschine durchgeführt werden können.
- Kontrollieren Sie in den Bauzeichnungen, ob elektrische Kabel, Wasserleitungen, Gasleitungen oder Abflussrohre im Arbeitsbereich verlegt sind.
- Überprüfen Sie den Arbeitsbereich stets auf das Vorhandensein von Gasleitungen und kennzeichnen Sie deren Verlauf. Das Schneiden in der Nähe von Gasleitungen stellt eine potenzielle Gefahrensituation dar. Vermeiden Sie eine Funkenbildung beim Schneiden, andernfalls besteht Explosionsgefahr. Konzentrieren Sie sich vollständig auf Ihre Arbeitsaufgabe. Unachtsamkeit kann zu schweren Verletzungen bis hin zum Tod führen.
- Stellen Sie sicher, dass die Stromkabel im Arbeitsbereich nicht stromführend sind.
- Beim Einsatz von Hydraulikwerkzeugen an oder bei elektrischen Leitungen sind Schläuche zu verwenden, die als „nicht elektrisch leitend“ eingestuft und gekennzeichnet wurden. Die Verwendung anderer Schläuche kann zu schweren Verletzungen bis hin zum Tod führen.
- Gehen Sie beim Heben vorsichtig vor. Schweres Gerät bedeutet Klemmgefahr und Gefahr für andere Verletzungen.
- Arbeiten Sie niemals ohne eine persönliche Schutzausrüstung und Schutzkleidung. Tragen Sie keine Kleidung, die sich in den beweglichen Teilen der Maschine verfangen kann.
- Verwenden Sie ausschließlich vom Hersteller empfohlene Seile.
- Schneiden Sie niemals ohne Kühlwasser. An einem unzureichend gekühlten Seil können sich Segmente erhitzen, was einen beschleunigten Verschleiß bewirkt. Im schlimmsten Fall können sich Segmente vom Seil lösen und Personen in der Nähe der Säge verletzen.

Einleitung

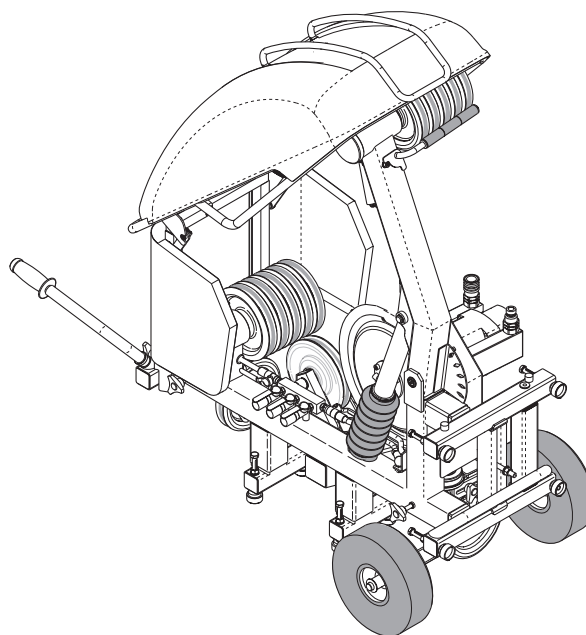
Husqvarna CS 2512 ist für die gemeinsame Verwendung mit dem Hydraulikaggregat PP 455 E oder Husqvarna RC 455 vorgesehen. Husqvarna CS 2512 ist eine leistungsstarke und einfach bedienbare Seilsäge, die anspruchsvollen Aufgaben gewachsen ist. Gleichzeitig besticht das Modell durch seine kompakten Abmessungen, die eine mobile Nutzung für kleinere Aufgaben ermöglichen. Die Säge ist auf unterschiedliche Arten einsetzbar: auf dem Boden oder montiert an der Wand.

Dank der durchdachten Konstruktion des Modells CS 2512 mit dem Antriebsrad auf der Ausgangsseite der Maschine ist das Seil auch bei niedriger Vorschubkraft stets gespannt. Diese Bauweise sowie das regelbare Druckventil erlauben eine präzise Sägesteuerung und eine überlegene Leistung.

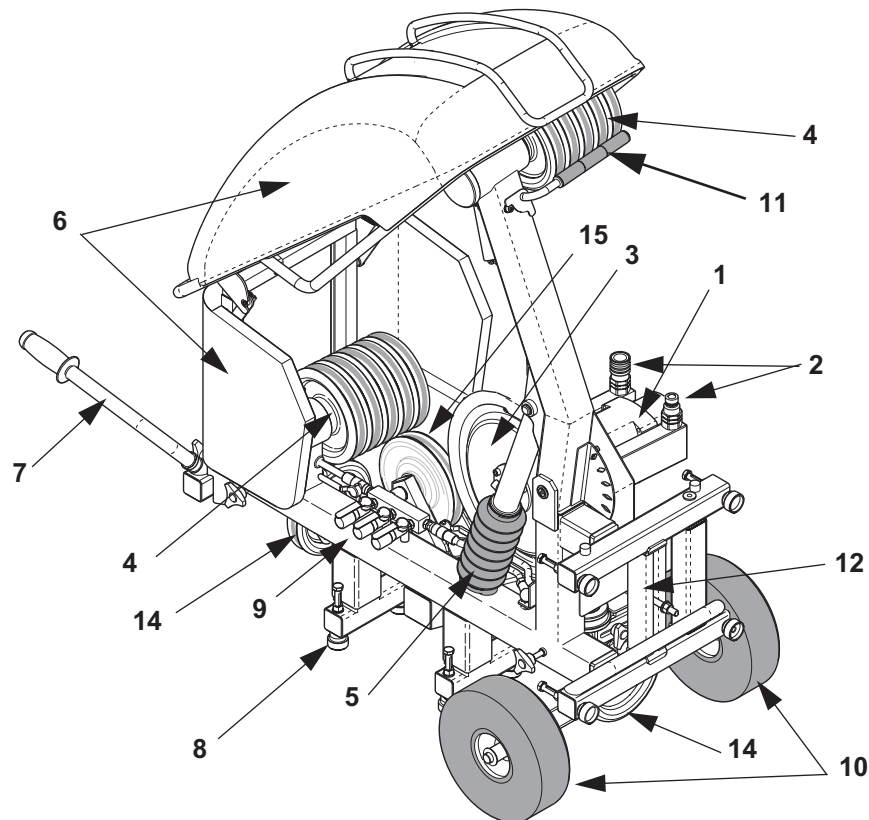
Die Maschine lässt sich vertikal und horizontal anbringen. Viele Schnitte können direkt und ohne externe Umlenkräder ausgeführt werden.

Zu einer kompletten Sägeausrüstung gehören:

- 1 x Sägeeinheit
- 1 x Zubehörkoffer
- 1 x 18-mm-Schlüssel
- 1 x Druckreduzierblock
- 1 x zusätzlicher Verschleißgummi für das Magazinrad
- 1 x Reinigungsbürste



Komponentenerklärung



Der Trennschleifer besteht aus folgenden Komponenten:

1. Hydraulikmotor

Die Maschine wird von einem 60-cm³-Motor angetrieben. Der Motor besteht aus zwei Bereichen: mit 50 bzw. 10 cm³. Wird nur der große Motorbereich verwendet bzw. werden beide Motorbereiche kombiniert, ist das Arbeiten mit zwei Leistungsstufen (Gängen) möglich. Die beiden Gänge weisen eine unterschiedliche Drehzahl bei identischer Leistung auf.

2. Hydraulikschlauchanschlüsse

Der Hydraulikölfluss in den beiden dickeren Schläuchen treibt den Motor und somit das Seil an. Der Durchfluss in den beiden schmalen Schläuchen treibt den Magazinzyylinder an.

3. Antriebsrad

Das Antriebsrad überträgt die Antriebskraft vom Motor zum Seil. Der Antriebsraddurchmesser beträgt 400 mm. Ein austauschbarer Gummibelag gewährleistet ein optimales Reibungsverhältnis zwischen Antriebsrad und Seil.

Gemeinsam mit dem Hydraulikmotor und den Hydraulikanschlüssen bildet das Antriebsrad die **Antriebsrad-einheit**. Die Antriebsradeinheit wird je nach Anzahl der Radpaare im Magazin justiert. Sie lässt sich auf einfache Weise demontieren, um zu Transportzwecken ein leichteres Maschinengewicht zu erreichen.

4. Seilmagazin

Im Seilmagazin wird das Seil gestreckt und eingefahrenes Seil aufgewickelt. Das Seilmagazin kann bis zu 12 m Seil (2,4 m je Radpaar) aufnehmen.

5. Magazinzyylinder

Der Magazinzyylinder streckt das Seil im Magazin. Auf diese Weise wird der Schnittvorgang kontrolliert. Die Druckregelung im Zylinder erfolgt mithilfe eines Druckreduzierblocks, der an Modell PP 455E oder RC 455 montiert wird.

6. Schutzvorrichtung

Die Schutzvorrichtung an der Maschine ist zweigeteilt. Ein fester Teil besteht aus Blech, eine klappbare Haube ist aus Kunststoff und Metall gefertigt. Die Schutzvorrichtung lässt sich einfach entfernen (z.B. zum Seileinzug), beim Sägen muss sie jedoch stets vorgeklappt sein.

7. Hebegriff

Der einklappbare Handgriff leistet eine ideale Unterstützung beim Umsetzen der Maschine.

8. Verstellbarer Fuß

Der Fuß wird so justiert, dass die Säge stabil steht. Die Säge verfügt über insgesamt zehn verstellbare Füße: sechs für horizontale und vier für vertikale Schnitte.

9. Kühlwasseranschlüsse

An der Maschine befinden sich zwei Wasserlanzenanschlüsse sowie ein Wassereingangsanschluss. Mithilfe dieser Anschlüsse wird das Seil gekühlt sowie beim Einziehen in die Maschine und beim Verlassen der Maschine über zwei kleine Düsen gespült.

10. Gummiräder

Diese Räder erleichtern den Transport. Um bei bestimmten Arbeiten die Zugänglichkeit zu verbessern, lassen sich die Räder auf einfache Weise abnehmen. Dazu wird der Stift herausgezogen, der die Räder an der Radachse fixiert.

11. Seilstrebe

Diese Strebe drückt das Seil an das Magazin an, wenn dieses eingerollt wird. So liegt das Seil stets optimal, selbst wenn es nicht gespannt ist, z.B. bei einem Seilwechsel oder wenn die Radanzahl im Magazin geändert wird.

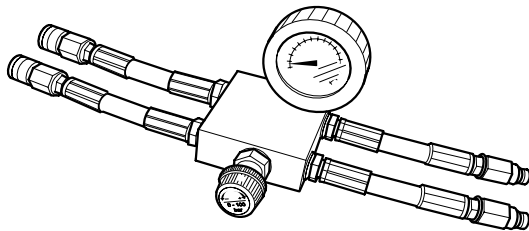
12. Ankerbalken

Dieser justierbare Balken weist eine Längsnut auf. Durch ein seitliches Verschieben des Balkens kann der Ankerbolzen beim Fixieren der Säge vor einem Schnitt an der passenden Stelle positioniert werden, ohne dass die gesamte Säge bewegt werden muss.

Ein weiterer Ankerbalken ist unter der Säge angebracht. An ihm wird der Ankerbolzen bei horizontalen Schnitten befestigt.

13. Druckreduzierblock

Der Druckreduzierblock wird zwischen dem Hydraulikaggregat und den Hydraulikschläuchen für die Eingangsversorgung angebracht. Am Druckreduzierblock befindet sich ein Ventil, mit dem sich die Magazinsspannung regeln lässt.



14. Lenkrollen

Die kugelgelagerten Lenkrollen sind dort platziert, wo das Seil in die und aus der Säge läuft. Die Lenkrollen dienen als Seilführung, damit das Seil korrekt in die Säge läuft. Sie können entweder fixiert oder lose eingesetzt werden, damit die Rollen dem Seil flexibel folgen können.

15. Führungsrad

Dieses Rad führt das Seil vom Magazin zum Antriebsrad. Bei der Justierung der Antriebsradeinheit wird das Führungsrad automatisch gemäß der verwendeten Radanzahl im Magazin eingestellt.

Zubehör

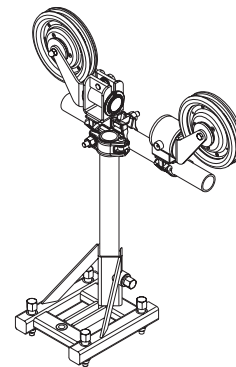
1. Wasserlanze

Diese Komponente wird mit dem Wasseranschlüssen an der Säge verbunden und leitet Kühlwasser zum Schnitt, um das Seil zu kühlen und Betonstaub zu binden.



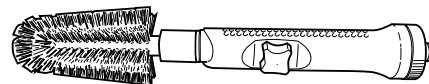
2. Umlenkräder

Mit Husqvarna-Umlenkrädern lässt sich der Seilverlauf einfach und effektiv festlegen. Durch den Einsatz von Umlenkrädern lässt sich die Anzahl spitzer Kanten beim Sägen verringern, wodurch eine höhere Sägekraft für die Materialabtragung verwendet werden kann.

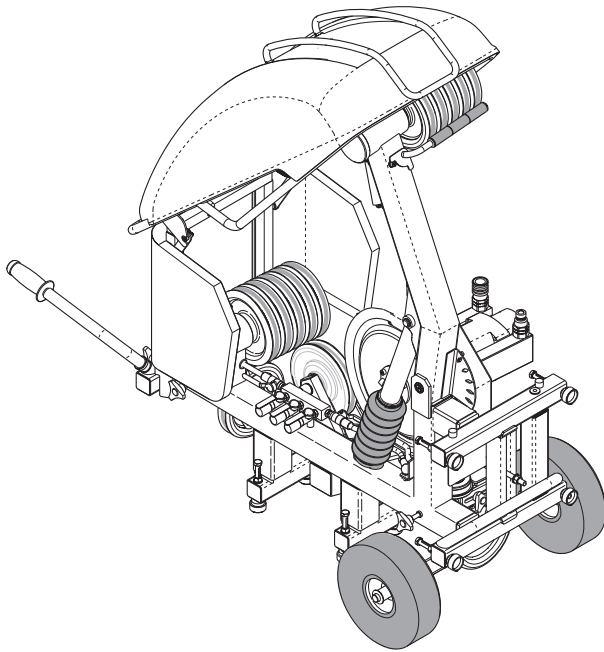


3. Reinigungsbürste

Die Bürste kann am Wasserschlauch angebracht werden. Sie wird vorzugsweise zur Reinigung der Maschine nach der Nutzung eingesetzt.



Technische Daten



Leistung des Antriebsrads (mit PP 455):	20 kW
Hydrauliköflfluss:	65 l/min (17 gal/min)
Max. zulässiger Hydraulikdruck	230 Bar (3400 psi)
Max. empfohlener Hydraulikdruck beim Sägen:	130 Bar (1900 psi)
Maximale Seillänge im Magazin:	12 m (2,4 m/Radpaar)
Abmessungen, Handgriff eingeklappt und Schutzvorrichtung herabgeklappt (L x B x H)	1150 x 750 x 980 mm
Gewicht:	150 kg (330 lbs)
Seilgeschwindigkeit im 1. Gang	20 m/s (66 ft/s)
Seilgeschwindigkeit im 2. Gang	25 m/s (82 ft/s)



WARNUNG

Ohne die schriftliche Genehmigung von Husqvarna Construction Products Sweden AB dürfen unter keinen Umständen Veränderungen an der Maschine vorgenommen werden. Nicht genehmigte Änderungen können Ihnen und anderen Personen schwerwiegende oder lebensgefährliche Verletzungen zufügen. Husqvarna Construction Products Sweden AB haftet nicht für einen Umgang mit der Maschine, der diesen Anweisungen nicht folgt.

Empfohlene Seile:

Husqvarna empfiehlt die Verwendung folgender Seile:

- Husqvarna C710C

Husqvarna C710C ist ein galvanisiertes Drahtseil, das für das Sägen von hartem Stahlbeton entwickelt wurde. Die Segmente weisen einen hohen Diamantanteil sowie einen geringen Durchmesser (9,5 mm) auf. Dadurch wird ein überaus effektives Sägen ermöglicht. Dank des geringen Durchmessers kann C710C ebenfalls für den Schnittabschluss eingesetzt werden.

- Husqvarna C750C

Husqvarna C750C ist ein Allzweck-Drahtseil, das für das Sägen von hartem Stahlbeton entwickelt wurde. Dieses Drahtseil ist für die Verwendung mit Sägen konzipiert, deren Leistung im Bereich 10-25 kW liegt.

- Husqvarna C760C

Dieses Drahtseil ist die Toplösung von Husqvarna. Er zeichnet sich durch lange Lebensdauer, hohe Schnittgeschwindigkeit und Leistungsbeständigkeit aus. Husqvarna C760C ist für das Sägen aller Stahlbetonarten geeignet, selbst bei Anwendungen, die hohe Anforderungen an das Seil stellen (z.B. Brückensägearbeiten).

- Husqvarna C790C

Die Härte der Segmente in diesem Drahtseil macht Husqvarna C790C zur idealen Wahl, wenn weiche Materialien wie Mauerwerk und leicht armerter Kalksteinbeton geschnitten werden sollen.

- Husqvarna C575J

Der Drahtseiltyp Husqvarna C575J verfügt über galvanisierte 15-mm-Segmente.

- Husqvarna C1200M

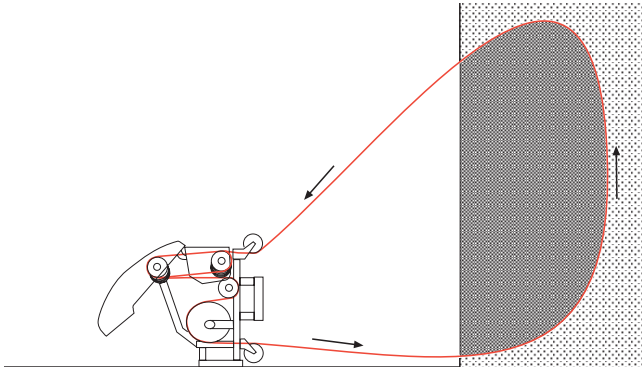
Der Drahtseiltyp Husqvarna C1200M wurde für das Sägen von Stahl entwickelt. Er eignet sich für besonders anspruchsvolle Arbeiten. Dank modernster Sinter-technologie ergeben sich überragende Vorteile bei Schnittgeschwindigkeit und Lebensdauer. Das Drahtseil ist mit zusammengefügt oder losen Enden lieferbar.

Weitere Informationen zu Dimas-Produkten erhalten Sie von Ihrem Dimas-Händler.

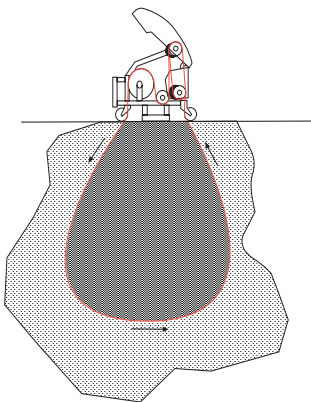
Ausrüstung montieren/ installieren

Vor der Sägenmontage ist der Schneidvorgang exakt zu planen, damit die Arbeiten möglichst reibungslos ablaufen können.

Dimas CS 2512 kann für die Ausführung horizontaler oder vertikaler Schnitte montiert werden. Bei vertikalen Schnitten wird die Säge stehend montiert.



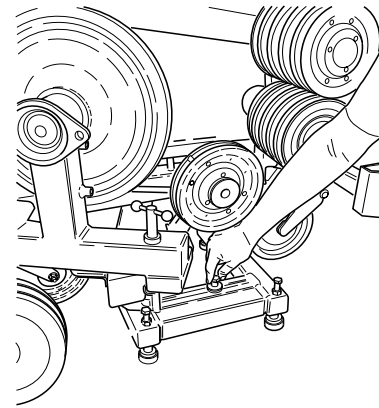
Bei Schnitten auf Bodenhöhe oder im Boden wird die Säge liegend montiert.



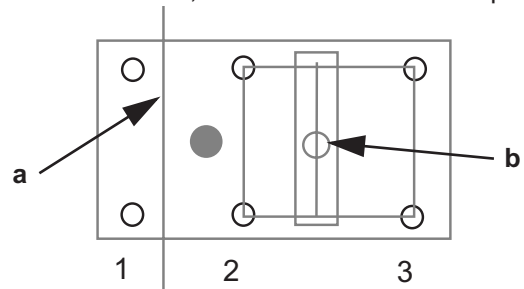
Falls erforderlich, bohren Sie Löcher, um das Seil durch das zu schneidende Material zu verlegen.

Platzieren Sie die Säge vor dem geplanten Schnitt. Sichern Sie die positionierte Säge, indem Sie sie mit einem Ankerbolzen festschrauben.

Wenn die Säge im Boden verschraubt ist, justieren Sie die verstellbaren Füße, um einen stabilen Stand zu ermöglichen.



Beachten Sie, dass der Schwerpunkt der Maschine (grauer Kreis) bei horizontalen Schnitten (a) zwischen dem ersten und zweiten verstellbaren Fußpaar liegt. (Die Fußpaare sind mit 1-3 gekennzeichnet.) Bei Schnitten unter der Maschine ist es wichtig, die Säge sicher per Ankerbolzen (b) zu befestigen, da die verstellbaren Fußpaare 2 und 3 verwendet werden müssen. (Das verstellbare Fußpaar 1 kann evtl. als Stütze für den entfernten Bereich dienen.) Ist die Säge nicht ausreichend verankert, kippt sie um, wenn sich das Material löst, das das verstellbare Fußpaar 1 hält.



Falls erforderlich, montieren Sie Umlenkräder, um den Schneidvorgang zu erleichtern. Durch den Einsatz von Umlenkrädern lässt sich die Anzahl spitzer Kanten beim Sägen verringern, wodurch ein geringerer Seilverschleiß erreicht und ein leichteres Starten der Säge ermöglicht wird. Durch die Verwendung von Umlenkrädern lässt sich das Seil ebenfalls in unterschiedliche Richtungen verlegen, ohne dass die Sägeeinheit umgesetzt werden muss. Benutzen Sie ebenfalls Umlenkräder, um das Seil nach dem Sägen zu führen.



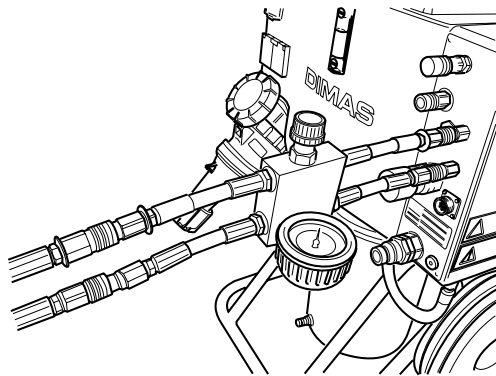
WARNUNG!

Positionieren Sie die Säge stets so, dass Sie an Ihrer Arbeitsposition nicht von einem gerissenen Seil getroffen werden können. Vergewissern Sie sich außerdem, dass während des Schneidens keine Unbefugten den Arbeitsbereich betreten können. Gerissene Seile können Personen treffen und tödliche oder schwere Verletzungen zur Folge haben.

An Hydraulikaggregat anschließen

Nachdem die Säge ordnungsgemäß platziert wurde, ist die Verbindung mit einem Hydraulikaggregat herzustellen. DIMAS CS 2512 ist für die gemeinsame Verwendung mit DIMAS PP 455 oder DIMAS RC 455 vorgesehen.

1. Kontrollieren Sie, ob das Hydraulikaggregat an die Stromversorgung angeschlossen ist.
2. Verbinden Sie das Kühlwasser mit dem Motor am Hydraulikaggregat.
3. Stellen Sie sicher, dass auf der Fernsteuerung die Meldung zum Anschließen des Schlauchpakets erscheint. Ist dies nicht der Fall, befolgen Sie die Vorgaben in der Bedienungsanleitung für PP 455E oder RC 455.
4. Montieren Sie die beiden dickeren Hydraulikschläuche zuerst am Aggregat und anschließend an den Anschlüssen des Sägemotors. Verriegeln Sie die Kupplungen, indem Sie die Hülse an der Kupplung drehen, sodass sich die Nut von der Kugel entfernt.
5. Montieren Sie den Druckreduzierblock am Hydraulikaggregat gemäß den Anweisungen auf dem Block.
6. Verbinden Sie zwei der dünneren Hydraulikschläuche mit dem Druckreduzierblock. Der Schlauch im Schlauchpaket, der mit einer roten Kennzeichnung am Anschluss versehen ist, muss mit dem Schlauch am Druckreduzierblock verbunden werden, der ebenfalls über eine Kennzeichnung verfügt.



Verriegeln Sie die Kupplungen, indem Sie die Hülse an der Kupplung drehen, sodass sich die Nut von der Kugel entfernt.

7. Montieren Sie die beiden mit dem Druckreduzierblock verbundenen Schläuche an den Schläuchen, die zum Versorgungszyklern an der Säge führen. Der Schlauch im Schlauchpaket, der mit einer roten Kennzeichnung am Anschluss versehen ist, muss mit dem Schlauch an der Säge verbunden werden, der ebenfalls über eine Kennzeichnung verfügt.
8. Verbinden Sie den Wasserschlauch mit dem Wassereingang an der Säge.

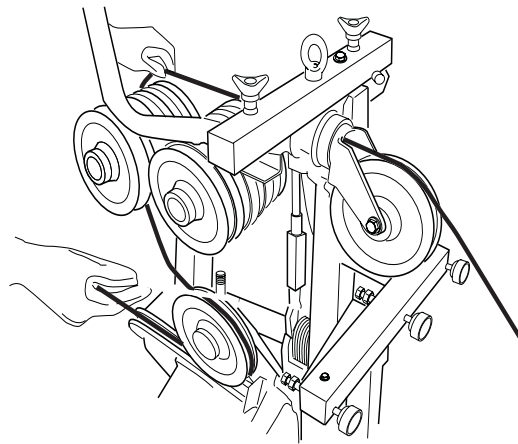
Wenn sich die Kupplungen bei der Montage nur schwer verbinden lassen, sind sie vor einer erneuten Montage komplett zu lösen.

Achten Sie darauf, dass die Kupplungen an nicht verwendeten Schläuchen nicht auf dem Boden liegen. Halten Sie die Kupplungen stets so sauber wie möglich. Eine saubere Kupplung besitzt eine längere Lebensdauer.

Seil einlegen

Um die Seilmontage zu vereinfachen, lässt sich die Schutzvorrichtung einfach abnehmen. Legen Sie anschließend das Seil wie folgt ein:

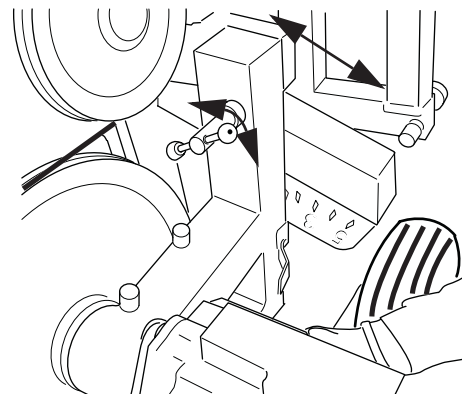
1. Stellen Sie sicher, dass sich das Magazin in der minimalen Stellung befindet.
2. Legen Sie das Seil um das Arbeitsobjekt, evtl. durch vorgebohrte Löcher und zurück zur Säge.
3. Führen Sie das Seil durch die Öffnung an der Lenkrolle und um die erforderliche Anzahl von Radpaaren im Magazin.



4. Justieren Sie die Antriebsradeinheit entsprechend der verwendeten Radpaaranzahl im Magazin:

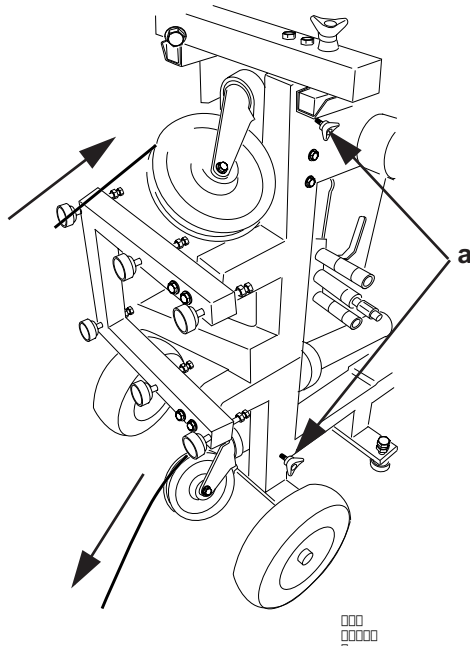
Lösen Sie den Arm, indem Sie den Knauf gegen den Uhrzeigersinn drehen. Drehen Sie danach die Antriebsradeinheit so, dass der Arm parallel zu den Markierungen auf der Säge ausgerichtet ist. Arretieren Sie nun die Antriebsradeinheit, indem Sie den Knauf im Uhrzeigersinn drehen.

Zum Beginn eines Schneidvorgangs wird meist nur ein Radpaar verwendet.

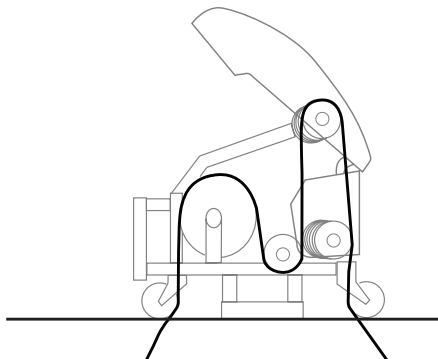


□□□□□□□□

5. Führen Sie das Seil um das Antriebsrad und durch die Öffnung an der zweiten Lenkrolle. Die Lenkrollen können gedreht und in der gewünschten Stellung fixiert werden, indem Sie die gekennzeichneten Knäufe (a) festziehen.



6. Bevor die Seilverbindungen zusammengesetzt werden, ist es um 1-2 Umdrehungen pro verwendetem Meter zu verdrehen. Das Seil muss dabei in Faserrichtung verdreht werden. Auf diese Weise wird eine möglichst gleichmäßige Abnutzung der Diamantsegmente im Seil erreicht.
7. Verbinden Sie die Seilenden mit einem Splint. Wenn sich am Seil keine Endhülsen befinden, müssen diese angebracht werden. Verwenden Sie dazu eine spezielle Drahtseilzange. Wenn Sie sich nicht sicher sind, welches Modell sie nutzen sollen, wenden Sie sich an Ihren DIMAS-Händler.
8. Ein korrekt verlegtes Seil muss wie auf der folgenden Abbildung durch die Maschine laufen:

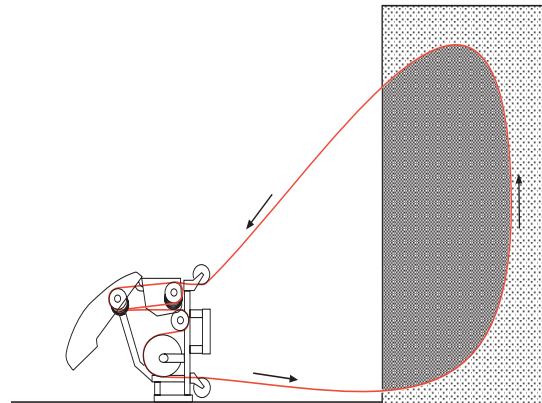


ACHTUNG

Ein bereits benutztes Seil muss stets in der zuvor eingesetzten Richtung durch die Maschine laufen, damit kein unnötiger Verschleiß auftritt.

Kühlwasserpositionierung

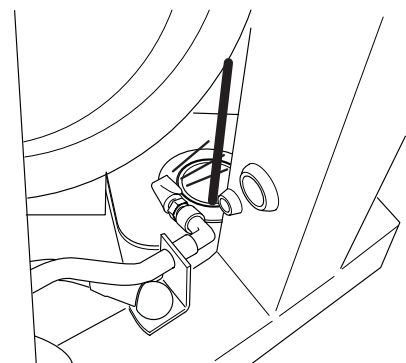
DIMAS CS 2512 verfügt über zwei Kühlwasseranschlüsse. Diese eignen sich für eine Bestückung mit Dimas-Wasserlanzen. Die Wasserlanzen werden dort positioniert, wo das Seil in den Beton läuft. Dadurch führt das Seil das Wasser mit sich in den Schnitt. Auf diese Weise wird Betonstaub gebunden und eine nachhaltige Seilkühlung erzielt.



ACHTUNG

Damit das Wasser das Seil beim Schneiden wie vorgesehen kühlen kann, muss die Kühlwasserposition mit fortschreitendem Schneidvorgang justiert werden. Halten Sie dazu stets die Maschine an.

Neben dem Kühlwasser von den Wasserlanzen wird das Seil an den beiden Lenkrollen in der Maschine gespült. So bleibt das Seil möglichst sauber und die Säge kann mit geringeren Reibungsverlusten sowie höherer Effektivität arbeiten.



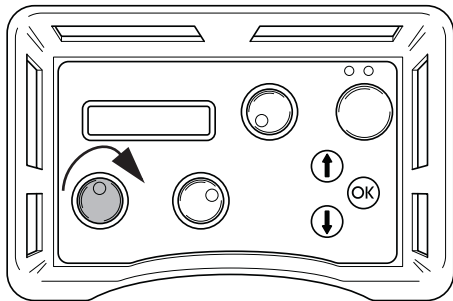
□□□□□□

Bedienung

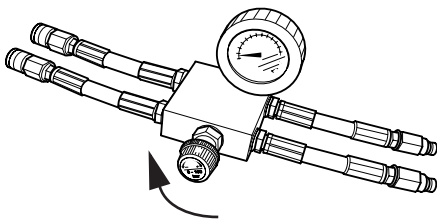
Sägen

Nach der Montage aller Ausrüstungskomponenten können Schneidarbeiten ausgeführt werden. Um die Säge so effektiv wie möglich einzusetzen, ist sie wie folgt zu starten:

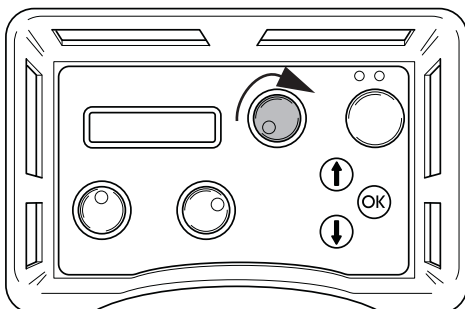
1. Schließen Sie das Ventil am Druckreduzierblock an, indem Sie den Knauf bis zu Anschlag gegen den Uhrzeigersinn und danach zwei Umdrehungen zurückdrehen.
2. Starten Sie das Hydraulikaggregat.
3. Stellen Sie den Versorgungsdurchfluss am Aggregat auf maximal, indem Sie den Regler an der Fernsteuerung im Uhrzeigersinn drehen.



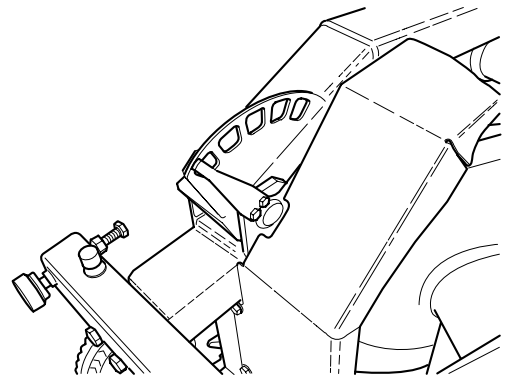
4. Spannen Sie das Seil, indem Sie den Knauf am Druckreduzierblock vorsichtig im Uhrzeigersinn drehen, bis das Seil eine mittlere Spannung aufweist. Kontrollieren Sie stets sorgfältig, dass das Seil korrekt in allen Führungen in der Säge liegt.



5. Starten Sie die Motordrehung, indem Sie den entsprechenden Regler an der Fernsteuerung im Uhrzeigersinn drehen.



6. Steigern Sie vorsichtig die Motordrehzahl, indem Sie den entsprechenden Regler drehen. Der geeignete Betriebsdruck beim Schneiden liegt üblicherweise zwischen 100 und 130 Bar. Er variiert jedoch je nach Anzahl der Radpaare im Magazin, der vorliegenden Seilmenge, der Härte des bearbeiteten Materials usw.
7. Beim Schneiden des Materials sinkt der Betriebsdruck nach und nach. Dies wird auf dem Display angezeigt. Dementsprechend muss das Seil im Magazin gespannt werden. Drehen Sie dazu den Knauf am Druckreduzierblock im Uhrzeigersinn.
8. Die Ausgangsspannung vom Magazin wird an der Maschine angezeigt (auf der Abbildung in minimaler Stellung). Steht der Magazinzyylinder unter maximaler Spannung, muss die Maschine angehalten und das Seil um ein neues Radpaar gelegt werden. Fahren Sie anschließend wie oben beschrieben fort.



ACHTUNG

Damit das Wasser das Seil beim Schneiden wie vorgesehen kühlen kann, muss die Kühlwasserposition mit fortschreitendem Schneidvorgang justiert werden. Halten Sie dazu stets die Maschine an.

Schneidvorgang beenden

1. Verringern Sie die Seilgeschwindigkeit und lassen Sie den Motor gänzlich zum Stillstand kommen.
2. Klappen Sie die Magazinarme zusammen.
3. Lösen Sie das Stromversorgungskabel vom Hydraulikaggregat.
4. Trennen Sie Hydraulikschläuche und Wasserschlauch von der Schneideinheit.
5. Alle weiteren Schritte werden in umgekehrter Reihenfolge vorgenommen.

Reinigung

Nach dem Schneidvorgang ist der Trennschleifer zu reinigen. Eine Reinigung der gesamten Schneidausrüstung ist äußerst wichtig. Für die Reinigung der Säge wird empfohlen, den Wasserschlauch vom Schwenkarm abzunehmen und zum Spülen der Schneideinheit zu verwenden. Bei Bedarf lässt sich auch die beiliegende Reinigungsbürste o.ä. zum Reinigen der Ausrüstung benutzen. Hochdruckreiniger dürfen für die Reinigung der Schneideinheit nicht verwendet werden.

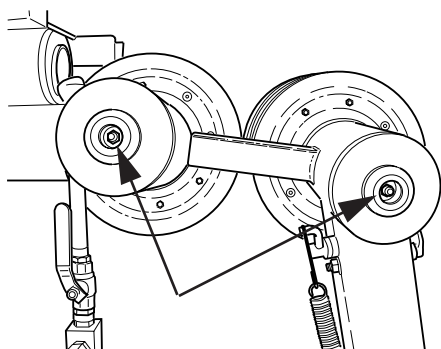
Wartung

Neben der täglichen Pflege wie Reinigung und Schmierung muss die Maschine gewartet werden. Nach 50 Betriebsstunden ist die Maschine einer autorisierten Dimas-Werkstatt für den Service zu überlassen. Danach ist die Säge alle 100 Betriebsstunden zu warten. Die Wartung ist eine Voraussetzung für die optimale, langfristige Leistungsfähigkeit der Maschine.

Schmierung

Damit das Seil möglichst reibungsfrei läuft, müssen die Magazinwellen mit Fett gefüllt sein. Befüllen Sie die Wellen alle 5-10 Betriebsstunden mit Fett. Verwenden Sie dazu Canadian Petroleum OG2 oder ein entsprechendes Fett.

Auch die Lager der Magazinwellen müssen regelmäßig geschmiert werden, jedoch nicht so häufig wie die Magazinwellen.

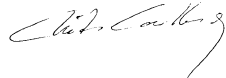




Konformitätserklärung

Husqvarna Construction Products Sweden AB, Box 2098, S-550 02 Jönköping, Schweden, Tel.: +46 (0)36 570 60 00 bescheinigt hiermit, dass die Herstellung der Seilsäge CS 2512 ab dem 1. Januar 2001 folgenden Richtlinien des Rates einschließlich aller Änderungen entspricht: 98/37/EG (Maschinenrichtlinie), 73/23/EWG (Niederspannungsrichtlinie) und 89/336/EWG (EMV-Richtlinie). Folgende Standards dienen als Grundlage: EN 55 014-1, EN 55 014-2, EN 61 000-3-2, EN 50 144-1, EN 13 862.

Jönköping, den 01.01.2005



Christer Carlberg
Geschäftsführer

Italiano

Indice

Legenda	37
Disposizioni di sicurezza	38
Introduzione	39
Identificazione delle parti	40
Dati tecnici	42
Montaggio/installazione dell'attrezzatura ..	43
Collegamento al gruppo idraulico	44
Inserimento del filo	44
Posizione del getto dell'acqua di raffreddamento	
45	
Funzionamento	46
Taglio	46
Conclusione del taglio.....	46
Pulizia	47
Manutenzione	47
Dichiarazione di conformità CE	49

Legenda

Sulla macchina e nel relativo manuale sono utilizzati i seguenti simboli. Per un utilizzo sicuro della macchina, è importante che l'operatore conosca il loro significato.

Manuale

Leggere attentamente le istruzioni per l'uso e comprenderne il contenuto prima di utilizzare la macchina.



Dispositivi di protezione individuale

Utilizzare sempre:

- un elmetto protettivo approvato;
- protezioni acustiche approvate;
- occhiali protettivi o una visiera approvati e gli altri dispositivi di protezione individuale necessari.



Avvertenza

Un grande triangolo di avvertenza accompagnato dal testo "Avvertenza" indica che sussiste il rischio di lesioni personali gravi o mortali.



Attenzione

Un piccolo triangolo di avvertenza accompagnato dal testo "Attenzione" indica che sussiste il rischio di lesioni personali o danni alla macchina.



Nota

Una mano con l'indice sollevato accompagnata dal testo "Nota" indica che occorre prestare particolare attenzione durante l'esecuzione delle operazioni descritte.



CE

Questo simbolo indica che la macchina è conforme alle direttive CE vigenti.



Disposizioni di sicurezza

Efficienza e semplicità, unite a sicurezza d'uso, sono criteri di massima priorità nella progettazione e produzione dei prodotti Husqvarna. Per garantire la massima sicurezza della macchina, attenersi sempre ai seguenti punti.



AVVERTENZA

Questa macchina deve essere utilizzata esclusivamente con Husqvarna PP 455E o un gruppo collegato a Husqvarna RC 455. Non utilizzare la macchina per altri scopi.



ATTENZIONE

Prima di avviare la macchina, accertarsi sempre che siano rispettate le norme di sicurezza. In caso contrario, la Husqvarna Construction Products Sweden AB o i suoi rappresentanti declinano ogni responsabilità per danni sia diretti che indiretti. Leggere le presenti istruzioni per l'uso e accertarsi di averne compreso il contenuto prima di utilizzare la macchina. Se dopo aver letto le presenti disposizioni di sicurezza sussistono dubbi, non utilizzare la macchina. Per maggiori informazioni, contattare il proprio rivenditore.

- Controllare che tutti i raccordi, i connettori e i flessibili idraulici siano integri.
- Accertarsi che tutti i flessibili siano collegati correttamente alla macchina prima di avviarla.
- Accertarsi che non vi siano persone o animali nell'area di lavoro.
- Controllare che le protezioni siano integre e montate correttamente.
- Non tagliare mai se le protezioni non sono in posizione.
- Prima di staccare i flessibili idraulici, accertarsi sempre di aver spento il gruppo idraulico e che il motore sia completamente fermo.
- Controllare quotidianamente che la macchina, i raccordi e i flessibili idraulici non presentino perdite. Una perdita o un cedimento possono causare la "penetrazione di olio" nel corpo o altre gravi lesioni personali.
- Non superare mai il flusso di olio specificato o la pressione prevista per l'attrezzo utilizzato. Una pressione eccessiva può causare cedimenti.
- Maneggiare i flessibili con cura.
- Non utilizzare flessibili ritorti, usurati o danneggiati.
- Controllare che i flessibili siano collegati correttamente alla macchina e i raccordi idraulici siano bloccati prima di mettere in pressione l'impianto idraulico. I raccordi si bloccano girando il manicotto esterno sul raccordo femmina, in modo da allontanare la scanalatura dalla sfera.
- Tenere puliti flessibili idraulici e raccordi.
- Scollegare sempre la corrente al gruppo idraulico prima di spostare l'attrezzatura.
- Durante il taglio, accertarsi di avere sempre facile accesso al pulsante di arresto di emergenza.
- Non lasciare mai la macchina incustodita a motore acceso.
- Prima del taglio, pianificare e segnare chiaramente tutti i tagli necessari, in modo che la loro esecuzione non metta a repentaglio la sicurezza delle persone e l'integrità della macchina.
- Controllare sulle planimetrie se sono presenti cavi elettrici oppure condutture idriche, del gas o di scarico nell'area di lavoro.
- Controllare sempre e tracciare la posizione delle condutture del gas. Il taglio in prossimità di condutture del gas è estremamente pericoloso. Accertarsi che durante il taglio non si generino scintille per evitare il rischio di esplosione. Rimanere concentrati sul proprio lavoro. Eventuali distrazioni possono causare lesioni personali gravi o mortali.
- Controllare che i cavi elettrici nell'area di lavoro non siano sotto tensione.
- Durante l'utilizzo degli attrezzi idraulici in corrispondenza o in prossimità di condutture elettriche, utilizzare flessibili omologati come non elettroconduttori. Se si utilizzano altri flessibili sussiste il rischio di lesioni personali gravi o mortali.
- Prestare attenzione durante le operazioni di sollevamento. In sede di movimentazione di pezzi pesanti sussiste il rischio di schiacciamento e altri danni.
- Utilizzare sempre i dispositivi e gli indumenti di protezione individuale come indicato nelle istruzioni per l'uso. Non utilizzare indumenti che possono rimanere impigliati nelle parti in movimento.
- Utilizzare esclusivamente il filo raccomandato dal produttore.
- Non tagliare mai se l'acqua di raffreddamento non è collegata. Un filo raffreddato in modo insufficiente può causare il surriscaldamento dei segmenti aumentandone l'usura. Nel peggiore dei casi, i segmenti possono staccarsi dal filo causando lesioni alle persone nelle vicinanze della mototroncatrice.

Introduzione

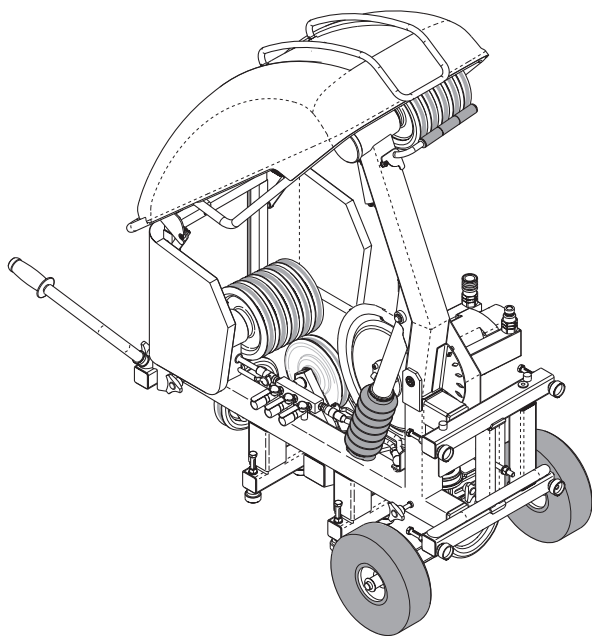
La mototroncatrice Husqvarna CS 2512 deve essere utilizzata insieme al gruppo idraulico PP 455 E o Husqvarna RC 455. Husqvarna CS 2512 è una mototroncatrice a filo potente e versatile, ideale per i lavori più pesanti ma sufficientemente compatta e maneggevole per svolgere anche i lavori meno impegnativi. Può essere utilizzata in diversi modi, sia appoggiata sul terreno che montata a parete.

Il design intelligente della mototroncatrice CS 2512, con la ruota motrice collocata sul lato di uscita della macchina, garantisce una tensione continua del filo anche se la forza di movimento è ridotta. Questa caratteristica, in combinazione alla valvola di pressione regolabile, offre un ottimo controllo del taglio e prestazioni imbattibili.

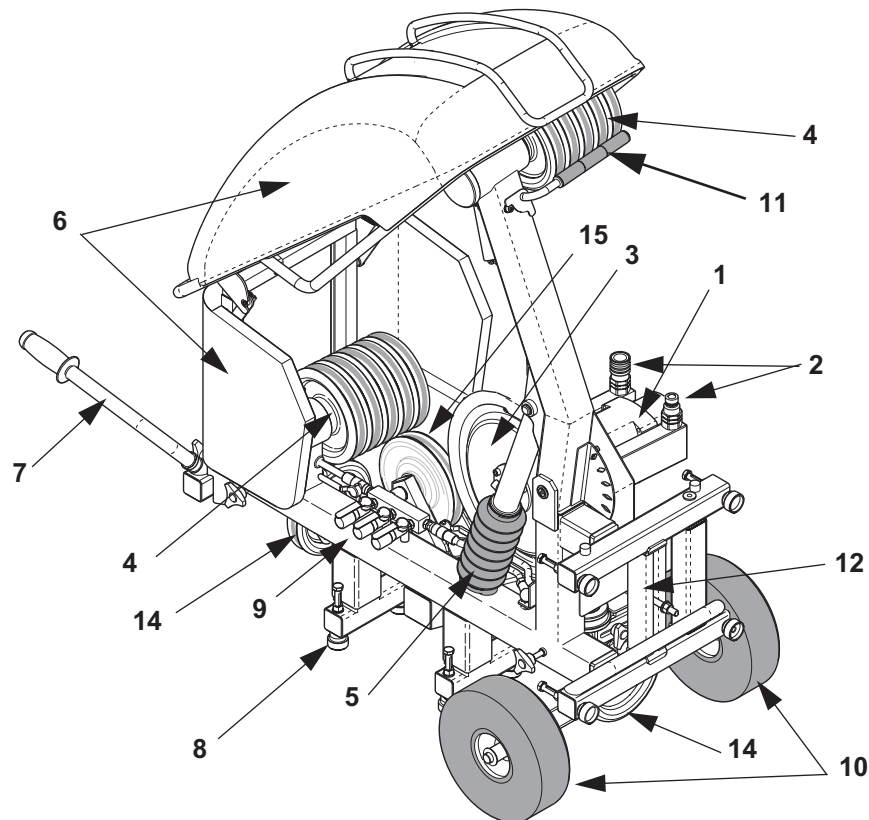
La macchina può essere attrezzata sia in verticale che in orizzontale ed è possibile eseguire diversi tagli senza utilizzare galoppini esterni.

Un'attrezzatura di taglio completa comprende:

- 1 gruppo di taglio
- 1 cassetta portattrezzi
- 1 chiave da 18 mm
- 1 gruppo di riduzione della pressione
- 1 elemento antiusura in gomma supplementare per le ruote del magazzino
- 1 spazzola per la pulizia



Identificazione delle parti



La mototroncatrice comprende i seguenti componenti:

1. Motore idraulico

La macchina è azionata da un motore da 60 cc. Il motore è costituito da due parti: una da 50 cc e l'altra, più piccola, da 10 cc. Utilizzando solo il motore grande oppure sia quello grande che quello piccolo, si ottengono due rapporti. Questi due rapporti offrono regimi diversi ma la stessa potenza.

2. Raccordi per flessibili idraulici

Il flusso di olio idraulico nei due flessibili grandi aziona il motore della macchina e, con esso, il filo. Il flusso nei due flessibili piccoli aziona il cilindro del magazzino.

3. Ruota motrice

Trasferisce la forza motrice dal motore al filo. La ruota motrice ha un diametro di 400 mm e presenta un rivestimento in gomma sostituibile per una presa ottimale del filo.

La ruota motrice, il motore idraulico e i raccordi idraulici costituiscono il **gruppo ruota motrice**. Il gruppo ruota motrice si regola in base alle coppie di ruote utilizzate nel magazzino e può essere smontato facilmente, ad es. per alleggerire la macchina per il trasporto.

4. Magazzino del filo

Tende il filo e contiene il filo avanzato. Il magazzino del filo contiene max 12 metri di filo (2,4 metri per ogni coppia di ruote).

5. Cilindro del magazzino

Il cilindro del magazzino ha il compito di tendere il filo nel magazzino, consentendo il controllo del taglio. La pressione nel cilindro si regola per mezzo del gruppo di riduzione della pressione montato su PP 455E o RC 455.

6. Protezione

La macchina presenta una protezione in due parti: una parte fissa in lamiera e un carter ripiegabile in plastica e metallo. La protezione si rimuove facilmente, ad es. per infilare il filo, ma deve sempre essere in posizione durante il taglio.

7. Impugnatura di trasporto

L'impugnatura ripiegabile è molto pratica per spostare la macchina.

8. Piedini di regolazione

Si regolano per garantire la stabilità della mototroncatrice. La mototroncatrice presenta in tutto 10 piedini regolabili: 6 per il taglio orizzontale e 4 per il taglio verticale.

9. Raccordi per l'acqua di raffreddamento

Sulla macchina sono presenti due raccordi per le lance dell'acqua e uno per l'acqua in entrata. Oltre a raffreddare il filo, per mezzo di piccoli ugelli consentono di lavare il filo quando entra ed esce dalla macchina.

10. Ruote di gomma

Per agevolare il trasporto. Per semplificare lo spostamento durante determinati lavori, le ruote possono essere facilmente smontate. È sufficiente staccare le coppiglie che bloccano le ruote al semiasse.

11. Barra reggifilo

Mantiene il filo contro il magazzino durante il ripiegamento di quest'ultimo. In tal modo si evita che il filo si intrecci quando non è teso, ad es. durante la sua sostituzione o quando si cambia il numero di ruote utilizzate nel magazzino.

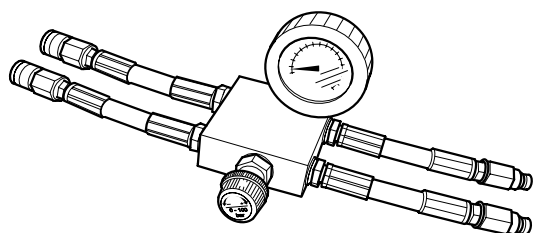
12. Traversa di ancoraggio

Traversa regolabile con una scanalatura longitudinale. Spostando la traversa lateralmente, si può sistemare il bullone di ancoraggio nel punto desiderato senza spostare l'intera mototroncatrice per bloccarla prima del taglio.

Un'altra traversa di ancoraggio è collocata sotto la mototroncatrice. In questa traversa si fissa il bullone di ancoraggio per i tagli orizzontali.

13. Gruppo di riduzione della pressione

Il gruppo di riduzione della pressione si monta fra il gruppo idraulico e i flessibili idraulici per il movimento in profondità. Sul gruppo di riduzione della pressione si trova una valvola che consente di controllare la tensione del magazzino.



14. Ruote di articolazione

Le ruote di articolazione con cuscinetti a sfere sono collocate nei punti in cui il filo entra ed esce dalla mototroncatrice. Le ruote di articolazione aiutano a guidare il filo in modo da sistemarlo correttamente nella mototroncatrice e possono essere utilizzate sia bloccate che sbloccate, se si desidera che seguano meglio il filo.

15. Ruota guida

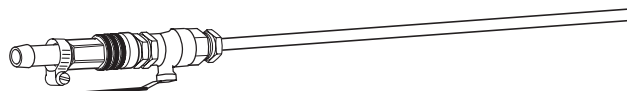
Guida il filo dal magazzino alla ruota motrice.

Quando si regola il gruppo ruota motrice, la ruota guida si posiziona automaticamente in base al numero di ruote utilizzate nel magazzino.

Accessori

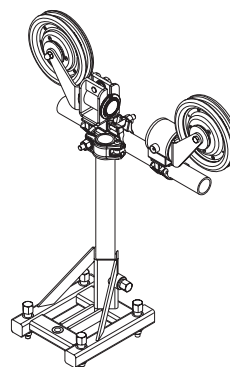
1. Lance dell'acqua

Si collegano ai raccordi dell'acqua della mototroncatrice e sono utilizzate per far giungere l'acqua di raffreddamento nel taglio per raffreddare il filo e legare la polvere di calcestruzzo.



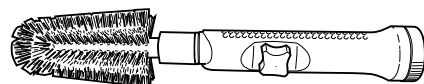
2. Galoppini

I galoppini Husqvarna sono realizzati per guidare il filo nel modo più efficiente possibile. Utilizzando i galoppini, si può ridurre il numero di angoli appuntiti intorno a cui si deve effettuare il taglio. In tal modo, è disponibile una maggiore potenza per il taglio del materiale.

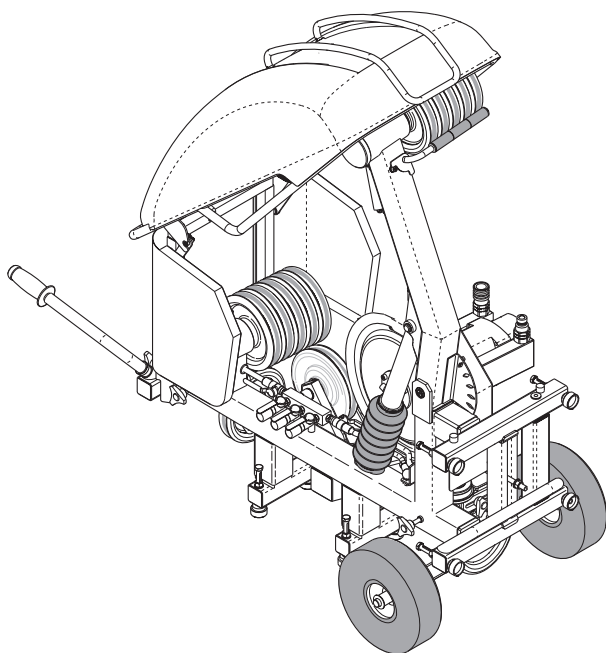


3. Spazzola per la pulizia

Può essere collegata al flessibile dell'acqua per pulire la macchina dopo l'uso.



Dati tecnici



Potenza della ruota motrice (con PP 455):	20 kW
Flusso di olio idraulico:	65 l/min (17 gal/min)
Pressione idraulica max consentita:	230 bar (3400 psi)
Pressione idraulica max raccomandata durante il taglio:	130 bar (1900 psi)
Lunghezza max del filo nel magazzino:	12 m (2,4 m/coppia di ruote)
Dimensioni con impugnatura ripiegata e protezione abbassata (Lung.xLargh.xAlt.):	1150x750x980 mm
Peso:	150 kg (330 lbs)
Velocità del filo in 1a:	20 m/s (66 ft/s)
Velocità del filo in 2a:	25 m/s (82 ft/s)



AVVERTENZA

Non apportare mai modifiche alla macchina senza il consenso scritto della Husqvarna Construction Products Sweden AB. Eventuali modifiche non autorizzate possono comportare il rischio di lesioni personali gravi o mortali. La Husqvarna Construction Products Sweden AB declina ogni responsabilità in caso di utilizzo non conforme alle presenti istruzioni.

Fili raccomandati:

Husqvarna raccomanda di utilizzare i seguenti fili:

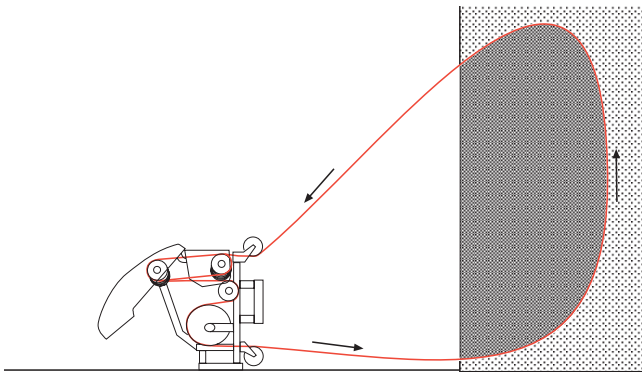
- Husqvarna C710C
Husqvarna C710C è un filo zincato progettato per il taglio di cemento armato rinforzato. I segmenti presentano una percentuale di diamanti elevata e un diametro ridotto (9,5 mm), quindi il filo è particolarmente efficace. Grazie al diametro ridotto, il filo C710C può essere utilizzato anche per concludere i tagli più impegnativi.
- Husqvarna C750C
Husqvarna C750C è un filo universale progettato per il taglio di cemento armato. Il filo è progettato per le mototroncatrici che presentano una potenza di 10-25 kW.
- Husqvarna C760C
È il filo Husqvarna migliore: le sue caratteristiche sono lunga durata, elevata velocità di taglio e resistenza a potenze elevate. Husqvarna C760C è ideale per il taglio in tutti i tipi di cemento armato, anche per i lavori che richiedono fili particolarmente efficaci, ad es. il taglio di ponti.
- Husqvarna C790C
Grazie alla durezza dei segmenti, il filo Husqvarna C790C è la scelta ideale per il taglio in materiali morbidi quali calcina e cemento armato leggero.
- Husqvarna C575J
Husqvarna C575J è un filo con segmenti zincati da 15 mm.
- Husqvarna C1200M
Husqvarna C1200M è un filo progettato per il taglio dell'acciaio. Questo filo è ideale per le condizioni di lavoro più impegnative. L'utilizzo dell'innovativa tecnica di sinterizzazione offre notevoli vantaggi in termini di velocità di taglio e durata. Il filo può essere fornito con elementi terminali applicati o a parte.

Per maggiori informazioni sulle attrezzature Husqvarna, contattare il proprio rivenditore Husqvarna.

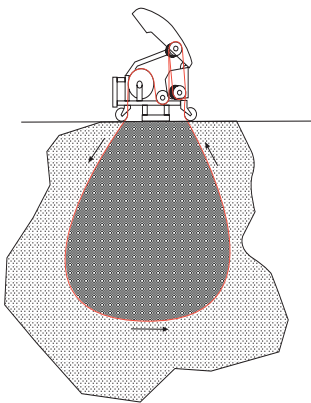
Montaggio/installazione dell'attrezzatura

Prima di montare la mototroncatrice, programmare con cura il taglio in modo da eseguirlo nel modo più facile possibile.

La mototroncatrice Husqvarna CS 2512 può essere montata per eseguire sia tagli orizzontali che verticali. Per eseguire tagli verticali, occorre montare la mototroncatrice in verticale.



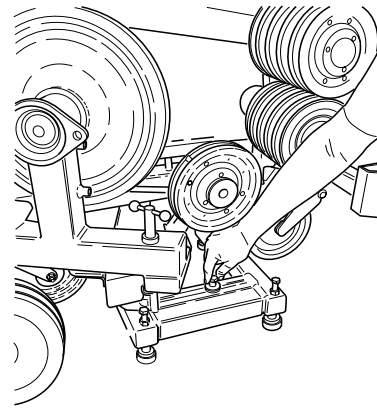
Il montaggio in orizzontale si utilizza invece per i tagli all'altezza del pavimento o nel pavimento stesso.



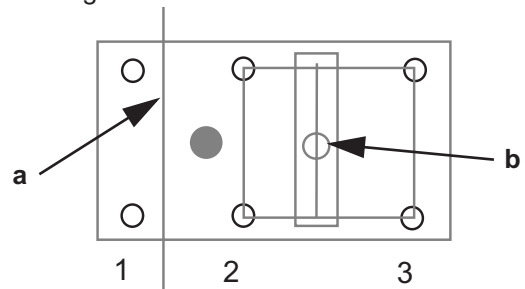
All'occorrenza, praticare un foro per inserire il filo nel materiale da tagliare.

Sistemare adeguatamente la mototroncatrice davanti al punto programmato per il taglio. Una volta sistemata la mototroncatrice, fissarla con un bullone di ancoraggio.

Quando la mototroncatrice è fissata al pavimento, agire sui piedini di regolazione per garantire la massima stabilità.



Ricordare che il baricentro della macchina (cerchietto grigio) si trova fra la prima e la seconda coppia di piedini di regolazione (le coppie di piedini di regolazione sono contrassegnate con 1-3) in caso di taglio orizzontale (a). Per il taglio sotto la macchina, è importante ancorare la mototroncatrice adeguatamente con il bullone di ancoraggio (b) in quanto si devono utilizzare le coppie di piedini di regolazione 2 e 3. (La coppia di piedini di regolazione 1 potrebbe essere supportata dalla sezione tagliata.) Se la mototroncatrice non è ancorata correttamente, si può ribaltare quando si stacca il materiale che supporta la coppia di piedini di regolazione 1.



All'occorrenza, montare dei galoppini per semplificare il taglio. Utilizzando i galoppini, si riduce il numero di angoli su cui scorre il filo, quindi il filo si usura meno e la motosega si avvia più facilmente. Utilizzando i galoppini, si può anche guidare il filo in diverse direzioni senza spostare il gruppo di taglio.

Utilizzare i galoppini anche per avvolgere il filo al termine del taglio.



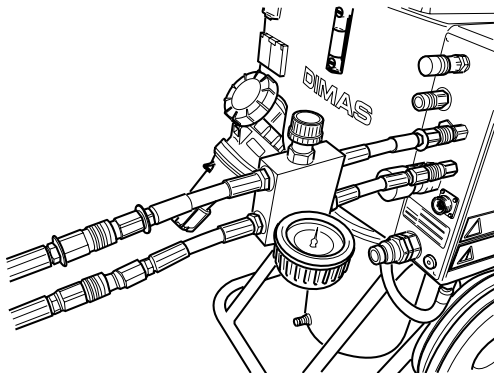
AVVERTENZA

Sistemare sempre la mototroncatrice in modo da assumere una posizione sicura e non entrare in contatto con il filo qualora si spezzi. Controllare che non vi siano persone non autorizzate nell'area di lavoro durante il taglio. In caso di contatto con un filo spezzato, sussiste il rischio di lesioni personali gravi o mortali.

Collegamento al gruppo idraulico

Dopo aver montato correttamente la mototroncatrice, collegarla a un gruppo idraulico. La mototroncatrice Husqvarna CS 2512 deve essere utilizzata insieme a Husqvarna PP 455 o Husqvarna RC 455.

1. Controllare che il gruppo idraulico sia collegato alla rete elettrica.
2. Collegare l'acqua di raffreddamento al motore del gruppo idraulico.
3. Controllare che il display sul telecomando visualizzi "COLLEGA FLESSIBILI". In caso contrario, seguire le istruzioni per l'uso dei modelli PP 455E o RC 455.
4. Collegare i due flessibili idraulici più grandi al gruppo, quindi ai raccordi del motore della mototroncatrice. I raccordi si bloccano girando il relativo manicotto in modo da allontanare la scanalatura dalla sfera.
5. Montare il gruppo di riduzione della pressione sul gruppo idraulico seguendo le istruzioni sul gruppo stesso.
6. Collegare due dei flessibili più piccoli al gruppo di riduzione della pressione. Collegare il flessibile, contrassegnato da una targhetta rossa presso il raccordo, al flessibile del gruppo di riduzione della pressione che presenta la stessa targhetta.



I raccordi si bloccano girando il relativo manicotto in modo da allontanare la scanalatura dalla sfera.

7. Collegare i due flessibili collegati al gruppo di riduzione della pressione ai flessibili del cilindro di movimento della mototroncatrice. Collegare il flessibile, contrassegnato da una targhetta rossa presso il raccordo, al flessibile della mototroncatrice che presenta la stessa targhetta.
8. Collegare il flessibile dell'acqua in entrata alla mototroncatrice.

Se durante il montaggio i raccordi si bloccano, staccarli completamente e rimontarli.

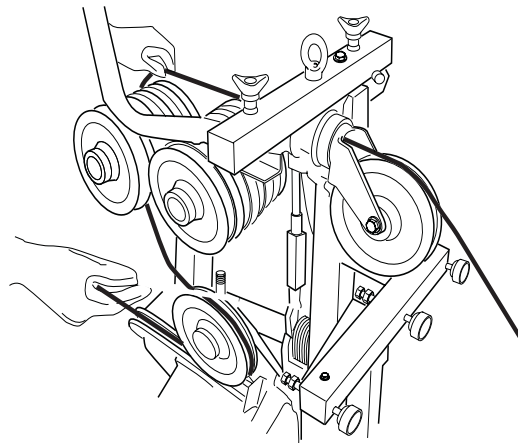
Controllare che i raccordi dei flessibili inutilizzati non tocchino il terreno.

Mantenere sempre puliti i raccordi. Un raccordo pulito dura più a lungo.

Inserimento del filo

Per agevolare il montaggio del filo, si può rimuovere facilmente la protezione. Inserire quindi il filo come segue:

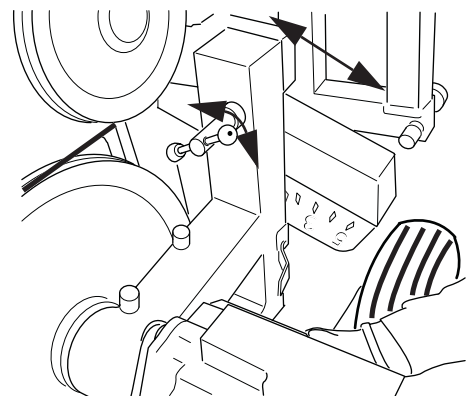
1. Controllare che il magazzino si trovi in posizione min.
2. Sistemare il filo intorno al pezzo da lavorare, eventualmente inserendolo nei fori praticati, e riportarlo alla mototroncatrice.
3. Inserire il filo nel foro presso la ruota di articolazione e sistemarlo intorno alle coppie di ruote richieste nel magazzino.



4. Regolare il gruppo ruota motrice in base alle coppie di ruote utilizzate nel magazzino.

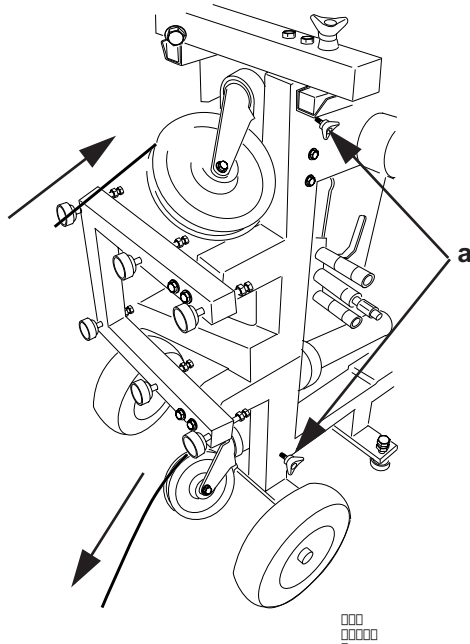
Allentare il braccio girando la manopola in senso antiorario. Girare quindi il gruppo ruota motrice in modo da allineare il braccio ai segni sulla mototroncatrice. Bloccare poi il gruppo ruota motrice girando la manopola in senso contrario.

Spesso all'inizio del taglio si utilizza solo una coppia di ruote.

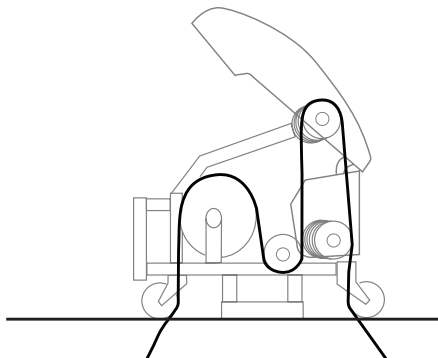


□□□□□□□□

5. Sistemare il filo intorno alla ruota motrice e farlo fuoriuscire dal foro presso l'altra ruota di articolazione. Le ruote di articolazione possono essere ruotate e bloccate nella posizione desiderata girando le manopole indicate (a).



6. Prima di unire i giunti del filo, torcere il filo di 1-2 giri per ogni metro utilizzato. È importante torcere il filo nello stesso senso in cui è stato filato. In tal modo si avrà un'usura più uniforme dei segmenti diamantati del filo.
7. Bloccare il filo con una coppiglia. Se il filo non è dotato di elementi terminali, questi devono essere applicati. A tal fine si devono utilizzare pinze per filo speciali. In caso di dubbi sul modello da utilizzare, contattare il proprio rivenditore DIMAS.
8. Se il filo è serrato correttamente, a questo punto deve scorrere nella macchina come indicato nella seguente figura.

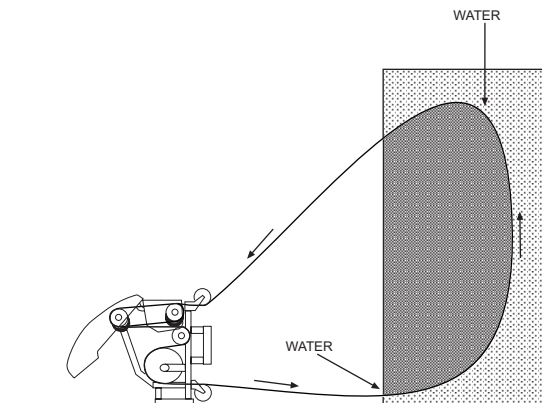


ATTENZIONE

Per evitare un'usura inutile, un filo usato deve sempre scorrere nella stessa direzione in cui era stato utilizzato in precedenza.

Posizione del getto dell'acqua di raffreddamento

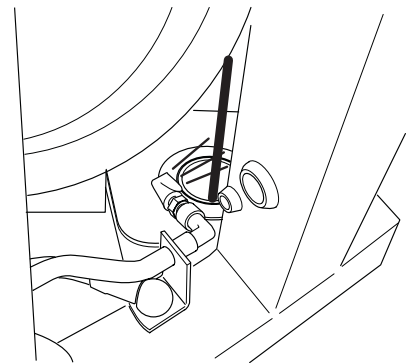
La mototroncatrice Husqvarna CS 2512 presenta due prese per l'acqua di raffreddamento. A queste si possono collegare le lance dell'acqua Dimas. Sistemare quindi le lance dell'acqua nel punto in cui il filo penetra nel calcestruzzo. In tal modo, il filo apporta l'acqua nel taglio, legando la polvere di calcestruzzo e raffreddandosi in modo efficiente.



ATTENZIONE

Affinché l'acqua raffreddi il filo come previsto durante il taglio, è necessario regolare la posizione del getto dell'acqua di raffreddamento mano a mano che si procede con il taglio. Fermare sempre la macchina quando si esegue questa operazione.

Il filo riceve acqua, oltre che dalle lance dell'acqua di raffreddamento, anche dalle due ruote di articolazione della macchina. In tal modo il filo rimane più pulito e la mototroncatrice funziona in modo più efficiente, con perdite di attrito minori.



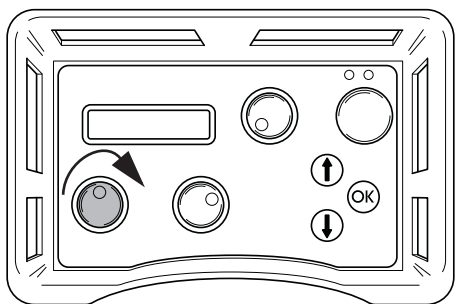
□□□□□□

Funzionamento

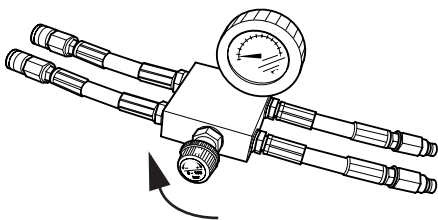
Taglio

Dopo avere montato tutte le attrezzature si può iniziare il taglio. Per la massima efficienza di taglio, si consiglia di avviare la mototroncatrice come segue:

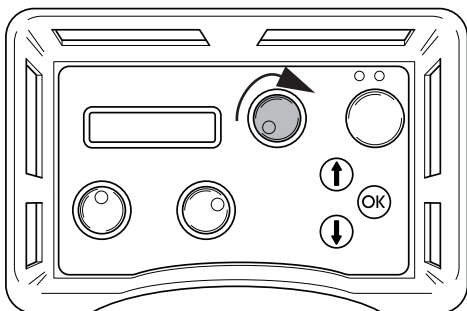
1. Chiudere la valvola sul gruppo di riduzione della pressione girando la manopola in senso antiorario al finecorsa, quindi tornando indietro di due giri.
2. Avviare il gruppo idraulico.
3. Impostare il flusso per il movimento del gruppo su max girando il comando sul telecomando in senso orario.



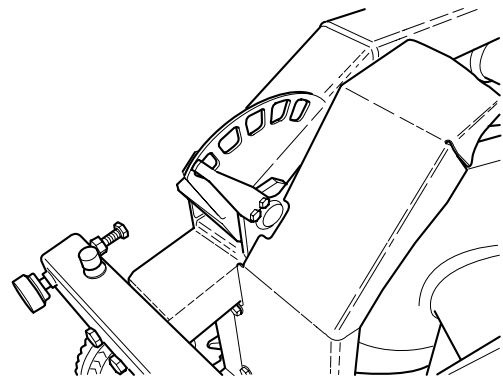
4. Tendere il filo girando con cautela la manopola sul gruppo di riduzione della pressione in senso orario finché non è sufficientemente teso. Controllare sempre che il filo sia posizionato correttamente su tutte le ruote della mototroncatrice.



5. Avviare la rotazione del motore girando il relativo comando sul telecomando in senso orario.



6. Aumentare gradualmente il regime del motore girando il comando di rotazione del motore. Generalmente, durante il taglio la pressione di esercizio è compresa fra 100 e 130 bar, ma può variare ad es. in base al numero di coppie di ruote utilizzate nel magazzino, alla quantità di filo inserita e alla durezza del materiale da tagliare.
7. Mano a mano che si procede con il taglio la pressione di esercizio diminuisce, come viene visualizzato sul display, e occorre tendere il magazzino. A tal fine, girare la manopola sul gruppo di riduzione della pressione in senso orario.
8. La tensione del magazzino è mostrata da un indicatore sulla macchina (in figura è riportata la posizione min). Quando il cilindro del magazzino è completamente teso, occorre fermare la macchina e avvolgere il filo intorno a una nuova coppia di ruote. Proseguire quindi il taglio come descritto sopra.



ATTENZIONE

Affinché l'acqua raffreddi il filo come previsto durante il taglio, è necessario regolare la posizione del getto dell'acqua di raffreddamento mano a mano che si procede con il taglio. Fermare sempre la macchina quando si esegue questa operazione.

Conclusione del taglio

1. Ridurre la velocità del filo e attendere che il motore si fermi.
2. Ripiegare il braccio del magazzino.
3. Scollegare il cavo di alimentazione in entrata dal gruppo idraulico.
4. Staccare i flessibili idraulici e il flessibile dell'acqua dal gruppo di taglio.
5. Per le altre operazioni, seguire la procedura in ordine inverso.

Pulizia

Al termine del taglio, pulire la mototroncatrice. È importante pulire l'intera attrezzatura di taglio. Per lavare la mototroncatrice, si consiglia di staccare il flessibile dell'acqua dal braccio girevole e utilizzarlo per il lavaggio del gruppo di taglio. All'occorrenza, è possibile pulire l'attrezzatura con la spazzola in dotazione o uno strumento simile. Non utilizzare mai una lancia ad alta pressione per pulire il gruppo di taglio.

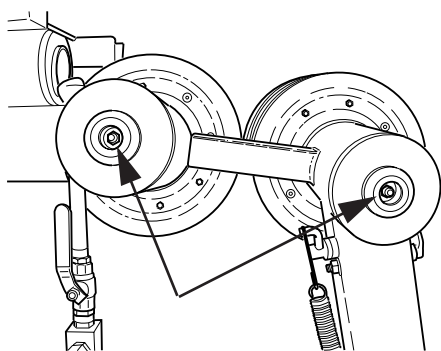
Manutenzione

Oltre a eseguire giornalmente la pulizia e la lubrificazione, occorre sottoporre la macchina a manutenzione. Dopo 50 ore di taglio, consegnare la macchina a un'officina autorizzata Husqvarna per l'assistenza. In seguito, l'intervallo di assistenza è di 100 ore di esercizio. L'assistenza è importante per garantire un funzionamento efficiente e prolungato della macchina.

Lubrificazione

Affinché il filo scorra con il minimo attrito, occorre riempire di grasso gli alberi del magazzino. Riempirli quindi di grasso ogni 5-10 ore di esercizio. Utilizzare Canadian Petroleum OG2 o un grasso equivalente.

Lubrificare regolarmente anche i cuscinetti degli alberi del magazzino, sebbene con una frequenza minore rispetto agli alberi.

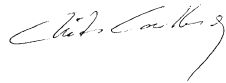




Dichiarazione di conformità CE

La Husqvarna Construction Products Sweden AB, Box 2098, S-550 02 Jönköping, Svezia, tel. +46 36 570 60 00, dichiara con la presente che la mototroncatrice a filo CS 2512, con numeri di serie a partire da 01001, è fabbricata conformemente alla direttiva macchine 98/37/CE, alla direttiva sulla bassa tensione 73/23/CEE, alla direttiva sulla compatibilità elettromagnetica 89/336/CEE e successive modifiche e integrazioni. Inoltre sono state osservate le seguenti norme: EN 55014-1, EN 55014-2, EN 61000-3-2, EN 50144-1, EN 13862.

Jönköping 01/01/2005



Christer Carlberg
Amministratore delegato

Nederlands

Inhoudsopgave

Verklaring van de symbolen	53
Veiligheidsinstructies	54
Inleiding	55
Wat is wat	56
Technische gegevens	58
Montage/installatie van apparatuur	59
Aansluiting op hydraulisch aggregaat.....	60
De kabel insteken	60
Plaats van koelwater	61
Gebruik	62
Zagen	62
Zagen beëindigen	62
Schoonmaken.....	63
Onderhoud.....	63
EU-verklaring	65

Verklaring van de symbolen

Onderstaande symbolen komen voor op de machine en in het handboek voor de machine. Om op een veilige manier met de machine te kunnen werken is het belangrijk dat de gebruiker hun betekenis begrijpt.

Boek

Neem de gebruiksaanwijzing grondig door en start de machine niet voor u alles hebt begrepen.



Beschermingsuitrusting

Draag altijd:

- Goedgekeurde veiligheidshelm.
- Goedgekeurde gehoorbescherming.
- Goedgekeurde veiligheidsbril of vizier, en andere noodzakelijke beschermingsuitrusting.



Waarschuwing

Een grotere waarschuwingsdriehoek met daarop "Waarschuwing" betekent dat het risico bestaat van ernstig persoonlijk letsel of zelfs overlijden.



Opgelet

Een kleinere waarschuwingsdriehoek met daarop "Opgelet" betekent dat het risico bestaat van minder ernstig persoonlijk letsel of beschadigingen aan de machine.



Opmerking

Een hand met uitgestoken wijsvinger en daarbij "Opmerking" betekent dat een beschreven moment extra aandacht vereist.



CE

Dit symbool geeft aan dat de machine overeenstemt met geldende EG-richtlijnen.



Veiligheidsinstructies

Bij de constructie en productie van Husqvarna producten hebben we veel aandacht geschonken aan het feit dat ze, naast efficiënt en eenvoudig te hanteren, ook veilig moeten zijn. Opdat de machine veilig blijft, moeten onderstaande zaken in acht worden genomen:



WAARSCHUWING!

Deze machine is alleen bedoeld voor gebruik in combinatie met Husqvarna PP 455E of een aggregaat dat is aangesloten op Husqvarna RC 455. Al het overige gebruik is niet toegestaan.



OPGELET

De machine mag absoluut niet worden gestart zonder dat de veiligheidsvoorschriften worden gevolgd. Indien de gebruiker dit niet doet, draagt Husqvarna Construction Products Sweden AB of diens vertegenwoordiging geen enkele aansprakelijkheid, direct of indirect. Lees deze gebruiksaanwijzing door en zorg ervoor dat u de inhoud begrijpt voor u de machine gaat gebruiken. Wanneer u, nadat u deze veiligheidsinstructies hebt gelezen, nog niet zeker bent over de veiligheidsrisico's die er zijn, dient u de machine niet te gebruiken. **Neem contact op met uw dealer wanneer u meer informatie nodig hebt.**

- Controleer of alle koppelingen, aansluitingen en hydraulische slangen heel zijn.
- Zorg ervoor dat alle slangen op de juiste manier op de machine zijn aangesloten voor u de machine start.
- Zorg ervoor dat er geen personen of dieren binnen het werkgebied aanwezig zijn.
- Controleer of de beschermingen niet kapot zijn én of ze juist zijn gemonteerd.
- Zaag nooit zonder de beschermingen te gebruiken.
- Koppel de hydraulische slangen nooit los zonder dat u eerst het hydraulisch aggregaat hebt uitgezet en de motor helemaal is gestopt.
- Controleer machine, koppelingen en hydraulische slangen dagelijks op lekkage. Een lek of explosie kan leiden tot een "olie-injectie" in het lichaam of ander ernstig lichamelijk letsel.
- Overschrijd de aangegeven oliestroom of druk voor het gereedschap dat u gebruikt niet. Te hoge druk kan een explosie veroorzaken.

- Verwaarloos de verzorging van de slangen niet.
- Gebruik geen slangen die gedraaid, versleten of beschadigd zijn.
- Controleer of de slangen op de juiste manier op de machine zijn aangesloten en of de hydraulische koppelingen naar behoren vastzitten voor het hydraulisch systeem onder druk wordt gezet. De koppelingen worden vergrendeld door de buitenhuls van de vrouwtjeskoppeling zo te draaien dat de gleuf van de kogel af komt.
- Zorg dat de hydraulische slangen en koppelingen niet vies worden.
- Haal altijd de stroom van het hydraulisch aggregaat voor u apparatuur gaat verplaatsen.
- Zaag altijd zo dat u op eenvoudige wijze bij de noodstop kunt komen.
- Laat de machine nooit zonder toezicht achter met draaiende motor.
- Voor het zagen moeten alle sneden, die moeten worden gemaakt, duidelijk worden aangegeven en gepland, zodat ze zonder gevaar voor mens of machine kan worden gemaakt.
- Controleer aan de hand van de bouwtekeningen of er elektrische leidingen, waterleidingen, gasleidingen of afvoerleidingen binnen het werkgebied liggen.
- Controleer altijd of er gasleidingen lopen en markeer ze. Vlakbij gasleidingen zagen vormt altijd een gevaar. Zorg ervoor dat bij het zagen geen vonken optreden, omdat een zeker risico van explosie bestaat. Wees geconcentreerd en op uw taak gericht. Onvoorzichtigheid kan leiden tot ernstig persoonlijk letsel of dodelijke ongevallen.
- Controleer of de elektrische leidingen binnen het werkgebied stroomloos zijn.
- Bij gebruik van hydraulisch gereedschap op of vlakbij elektrische leidingen moeten slangen worden gebruikt, die gemerkt en goedgekeurd zijn als "niet elektrisch geleidend". Gebruik van andere slangen kan leiden tot ernstig persoonlijk letsel of zelfs overlijden.
- Wees voorzichtig met tillen. U gaat om met zware delen, wat risico van beknelling en ander letsel inhoudt.
- Persoonlijke beschermingsuitrusting en veiligheidskleding volgens de gebruiksaanwijzing dienen altijd te worden gebruikt. Kleding, die vast kan komen zitten in de bewegende delen van de machine, mag niet worden gebruikt.
- Gebruik alleen kabel die door de producent wordt aangeraden.
- Zaag nooit zonder koelwater te gebruiken. Een slecht gekoelde kabel kan ertoe leiden dat de segmenten oververhit raken, wat tot snellere slijtage leidt. In het ergste geval kunnen segmenten van de kabel losraken en personen in de nabijheid van de zaag verwonden.

Inleiding

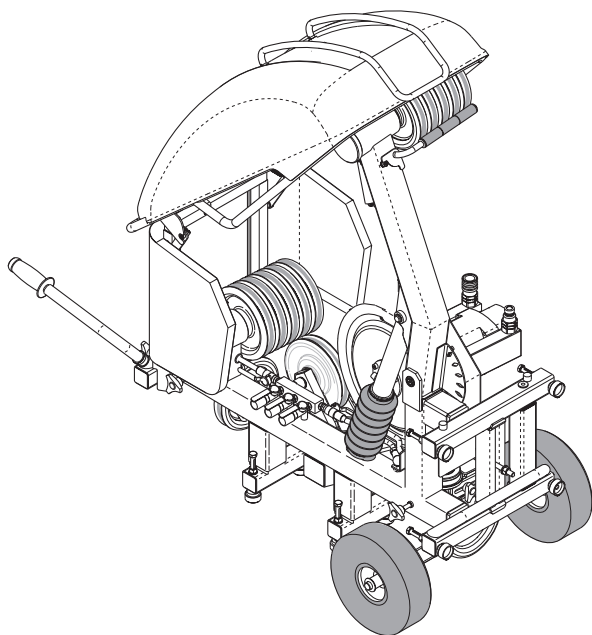
Husqvarna CS 2512 is bedoeld om te worden gebruikt met hydraulisch aggregaat PP 455 E of Husqvarna RC 455. Husqvarna CS 2512 is een krachtige, makkelijk hanteerbare kabelzaag met de capaciteit voor echt grote taken, maar is toch voldoende compact en mobiel om kleinere taken aan te kunnen. De zaag kan op veel verschillende manier worden gebruikt, zowel op de grond als gemonteerd aan de wand.

Het doordachte design van CS 2512, waarbij het aandrijfwiel geplaatst is op de uitgangskant van de machine, betekent dat de kabel altijd gestrekt is, al is de toevoerkraft laag. Dit geeft, in combinatie met het verstelbare drukventiel, een precieze controle over het zagen en superieure prestaties.

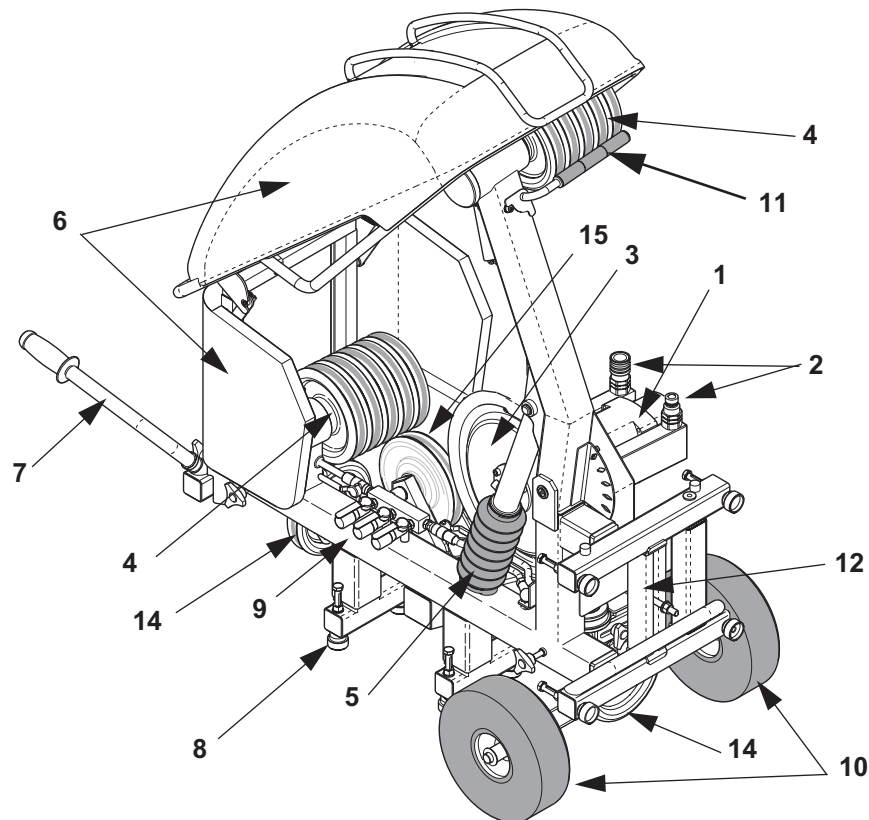
De machine kan zowel staand als liggend worden opgezet en er kunnen vele sneden worden gezaagd zonder externe breekwielen.

Een complete zaaguitrusting bestaat uit:

- 1 zaagunit
- 1 doos met accessoires
- 1 18 mm sleutel
- 1 drukreductieblok
- 1 extra slijtribber voor magazijnwielen
- 1 schoonmaakborstel



Wat is wat



De zaag bestaat uit de volgende componenten:

1. Hydraulische motor

De machine wordt aangedreven door een motor van 60 cc. De motor heeft twee delen, een van 50 cc en een klein deel van 10 cc. Door alleen de grote motor of de grote en de kleine samen te gebruiken, krijgt men twee versnellingen. De twee versnellingen zorgen voor verschillende toeren, maar leveren hetzelfde vermogen.

2. Aansluitingen voor hydraulische slang

De stroom hydraulische olie in de twee dikkere slangen drijft de motor van de machine en daarmee de kabel aan. De stroom in de twee dunneren drijft de magazijn cilinder aan.

3. Aandrijfwiel

Zet de aandrijfkracht over van de motor naar de kabel. Het aandrijfwiel heeft een diameter van 400 mm en is voorzien van vervangbaar rubber om een zo goed mogelijke grip tussen aandrijfwiel en kabel te krijgen.

Het aandrijfwiel vormt samen met de hydraulische motor en de hydraulische aansluitingen **de drijfwielenheid**. De drijfwielenheid stelt u in, afhankelijk van het aantal wielparen in het magazijn dat wordt gebruikt, en kan bij transport eenvoudig worden verwijderd om de machine lichter te maken.

4. Kabelmagazijn

Strekt de kabel en slaat de ingekomen kabel weer op. Het kabelmagazijn heeft de capaciteit om maximaal 12 meter kabel op te slaan (2,4 meter per wielpaar).

5. Magazijn cilinder

De taak van de magazijn cilinder is het strekken van de kabel in het magazijn om zo het zagen te controleren. Het afstellen van de druk in de cilinder doet u met behulp van het drukreductieblok dat op PP 455E of RC 455 wordt gemonteerd.

6. Bescherming

De machine heeft een bescherming uit twee delen. Een vast gedeelte van plaat en een opvouwbare kap van kunststof en metaal. Men kan de bescherming gemakkelijk wegnemen wanneer bijv. de kabel ingevoerd moet worden, maar de bescherming moet gedurende het zagen altijd geplaatst zijn.

7. Hefhandgreep

De inklapbare handgreep is een uitstekend hulpmiddel om de machine te verplaatsen.

8. Stelvoet

Wordt zo afgesteld dat de zaag stevig staat. In totaal zijn er 10 stuks op de zaag, zes stuks voor liggende sneden en vier stuks voor horizontale positie.

9. Koelwateraansluitingen

Op de machine zitten twee aansluitingen voor waterspuiten en een voor inkomend water. Naast het koelen van de kabel door de spuiten, wordt de kabel ook gespoeld door kleine sproeiers wanneer deze de machine in komt en weer verlaat.

10. Rubberwielen

Om transport te vergemakkelijken. Om de bereikbaarheid te vereenvoudigen voor sommige werkzaamheden, kunnen de wielen eenvoudig worden verwijderd. Dit doet u door de spie los te maken, waarmee de wielen op de wielas vastzitten.

11. Kabelstop

Houdt de kabel altijd strak gespannen ten opzichte van het magazijn. Zo wordt voorkomen dat de kabel in de war raakt, wanneer deze niet gespannen is bijv. wanneer de kabel wordt vervangen of het aantal gebruikte wielen in het magazijn wordt gewijzigd.

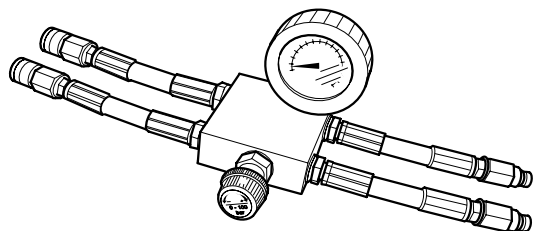
12. Ankerbalk

Verstelbare balk met een gleuf in de lengterichting. Door de balk zijwaarts te verplaatsen kunt u de ankerbout op de geschikte plaats zetten zonder dat u de hele zaag hoeft te verplaatsen wanneer u deze wilt vastzetten om te gaan zagen.

Onder de zaag zit nog een ankerbalk. In deze balk bevestigt men de ankerbout voor horizontale zaagsnedes.

13. Drukreductieblok

Het drukreductieblok wordt tussen het hydraulisch aggregaat en de hydraulische toevoerslangen geplaatst. Op het drukreductieblok zit een klep waarmee de spanning van het magazijn kan worden gecontroleerd.



14. Zwenkwielen

De zwenkwielen met kogellagers zijn geplaatst waar de kabel de zaag in- en uitgaat. De zwenkwielen helpen de kabel zo te sturen dat deze juist in de zaag komt en kunnen ofwel worden vastgezet ofwel onvergrendeld worden gebruikt, zodat de wielen de kabel beter volgen.

15. Geleidewielen

Leiden de kabel van het magazijn naar het aandrijf wiel. Wanneer de drijfwielenheid wordt afgesteld, wordt het geleidewiel automatisch ingesteld op het aantal magazijnwielen dat wordt gebruikt.

Accessoires

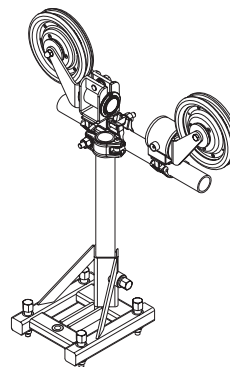
1. Waterspuit

Wordt aangesloten op de wateraansluitingen op de zaag en gebruikt om het koelwater de zaagsnede in te sturen om de kabel te koelen en het betonstof te binden.



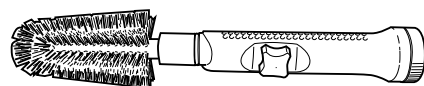
2. Breekwiel

Husqvarna breekwielen zijn gemaakt om op een soepele manier de kabel zo doeltreffend mogelijk te sturen. Door het gebruik van de breekwielen kan het aantal scherpe hoeken waar men omheen moet zagen, worden verminderd, zodat meer van de zaagkracht kan worden gebruikt voor het zagen van materiaal.

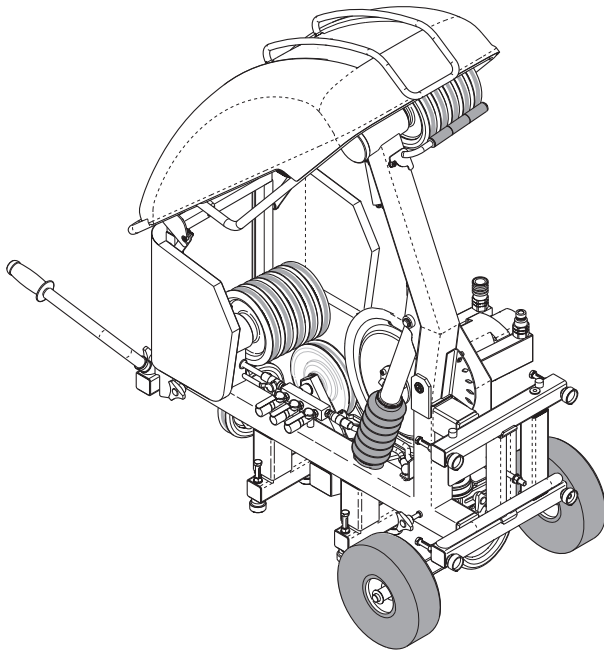


3. Schoonmaakborstel

Kan worden aangesloten op een waterslang en kan goed worden gebruikt om de machine schoon te maken na het gebruik.



Technische gegevens



Vermogen aandrijfwiel (met PP 455):	_____	20 kW
Hydraulische oliestroom:	_____	65 l/min (17 gal/min)
Max. toegestane hydraulische druk	_____	230 bar (3400 psi)
Max. aanbevolen hydraulische druk	_____	
bij zagen:	_____	130 bar (1900 psi)
Maximale kabellengte in het magazijn:	_____	12 m (2,4 m/wielpaar)
Afmetingen, handgreep ingeklapt en bescherming naar beneden (LxBxH)	_____	1150x750x980 mm
Gewicht:	_____	150 kg (330lbs)
Kabelsnelheid versnelling 1	_____	20 m/s (66ft/s)
Kabelsnelheid versnelling 2	_____	25 m/s (82 ft/s)



WAARSCHUWING

Onder geen enkele omstandigheid mogen wijzigingen aan de machine worden uitgevoerd zonder schriftelijke toestemming van Husqvarna Construction Products Sweden AB. Met niet-goedgekeurde wijzigingen lopen u en anderen risico op ernstig of levensbedreigend letsel. Husqvarna Construction Products Sweden AB is niet verantwoordelijk voor onderhoud, dat deze instructies niet volgt.

Aanbevolen kabels:

Husqvarna beveelt het gebruik van de volgende kabels aan:

- Husqvarna S C710C

Husqvarna C710C is een gegalvaniseerde kabel, gemaakt om te worden gebruikt bij het zagen in beton met veel bewapening. De segmenten hebben een groot aandeel diamanten en een kleine diameter (9,5 mm) waardoor de kabel zeer efficiënt zaagt. De kleinere diameter maakt ook dat C710C kan worden gebruikt om moeilijke zaagsnedes af te maken.

- Husqvarna C750C

Husqvarna C710C is een allround kabel, gemaakt om te worden gebruikt bij het zagen in gewapend beton. De kabel is ontwikkeld voor gebruik met zagen met een vermogen tussen 10 en 25 kW.

- Husqvarna C760C

Dit is Husqvarna premium kabel: een lange levensduur, hoge zaagsnelheid en bestand tegen hoge vermogens kenmerken deze kabel. Husqvarna C760C kan worden gebruikt voor het zagen in alle soorten gewapend beton, ook bij werkzaamheden die hoge eisen stellen aan de kabel bijv. om bruggen door te zagen.

- Husqvarna C790C

De hardheid van de segmenten in deze kabel maakt van Husqvarna C709C de meest geschikte keuze om te zagen in zachte materialen zoals cement en licht gewapend kalkbeton.

- Husqvarna C575J

Husqvarna C575J is een kabel met gegalvaniseerde 15 mm segmenten.

- Husqvarna C1200M H

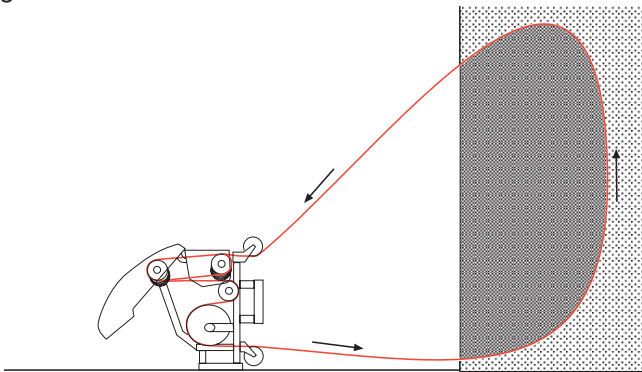
- Husqvarna C1200M is een kabel ontwikkeld om te worden gebruikt om in staal te zagen. De kabel is ontwikkeld om te worden gebruikt bij uitzonderlijk veeleisende situaties. Het gebruik van de nieuwste sintertechniek geeft enorme voordelen met betrekking tot zaagsnelheid en levensduur. De kabel kan worden geleverd met aaneengesloten of losse uiteinden.

Voor meer informatie over de verschillende gereedschappen van Husqvarna kunt u contact opnemen met uw Husqvarna dealer.

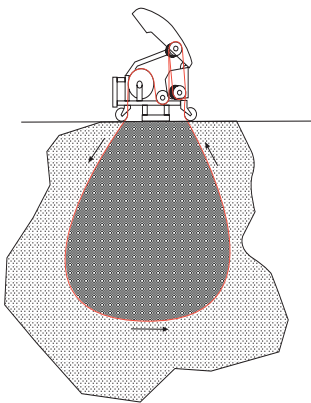
Montage/installatie van apparatuur

Voordat u de zaag monteert, moet u het zaagwerk zorgvuldig plannen zodat het zo eenvoudig mogelijk verloopt.

Dimas CS 2412 kan worden gemonteerd om horizontale of verticale zaagsneden aan te brengen. Voor het maken van verticale zaagsneden wordt de zaag stand gemonteerd.



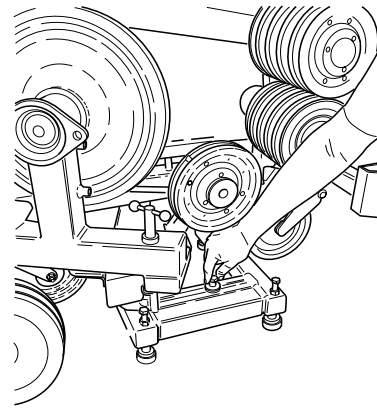
De zaag worden liggend gemonteerd bij zaagsneden op vloerhoogte en zaagsneden in de vloer.



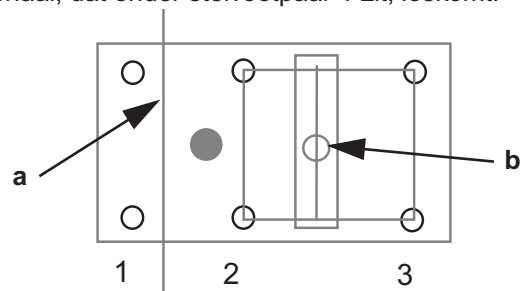
Indien noodzakelijk moet u een gat boren om de kabel door het materiaal te steken, dat moet worden doorgezaagd.

Plaats de zaag op de juiste manier voor de geplande zaagsnede. Wanneer de zaag ter plekke is, moet u de zaag verzekeren door deze met een ankerbout vast te schroeven.

Wanneer de zaag op de vloer is vastgeschroefd, moet u de stelvoetjes uitschroeven totdat de zaag stevig staat.



Denk eraan dat het zwaartepunt van de machine (de grijze cirkel) tussen het eerste en tweede stelvoetpaar ligt (de stelvoetparen zijn gemerkt 1-3) bij liggende zaagsneden (a). Bij zaagsneden onder de machine is het belangrijk de zaag goed te verankeren met een ankerbout (b) omdat stelvoetpaar 2 en 3 moeten worden gebruikt. (Stelvoetpaar 1 zal evt. steunen op het weggezaagde deel.) Als de zaag niet goed is verankerd, zal deze omvallen wanneer het materiaal, dat onder stelvoetpaar 1 zit, loskomt.



Indien noodzakelijk moet u een breekwiel monteren om het zagen te vergemakkelijken. Door het breekwiel te gebruiken kan het aantal scherpe hoeken waarlangs de kabel moet gaan, worden verminderd, waardoor de kabel minder slijt en het ook makkelijker is de zaag te starten. Door breekwielen te gebruiken kan men de kabel bovendien in verschillende richtingen sturen zonder dat u de zaagunit hoeft te verplaatsen.

Gebruik ook breekwielen om de kabel op te vangen bij het afsluiten van het zagen.



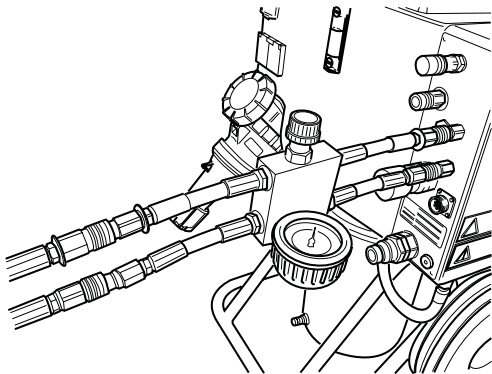
WAARSCHUWING!

Plaats de zaag altijd zo, dat u zelf zo staat zonder risico te lopen te worden getroffen door een afgebroken kabel. Vergewis u er ook van dat onbevoegden het werkterrein niet kunnen betreden tijdens het zagen. Geraakt worden door een gebroken kabel kan leiden tot overlijden of ernstig lichamelijk letsel.

Aansluiting op hydraulisch aggregaat

Wanneer de zaag op de juiste manier is gemonteerd, moet ze worden aangesloten op een hydraulisch aggregaat. DIMAS CS 2512 is ontwikkeld voor gebruik in combinatie met DIMAS PP 455 of DIMAS RC 455.

1. Controleer of het hydraulisch aggregaat is aangesloten op stroom.
2. Sluit het koelwater voor de motor aan op het hydraulisch aggregaat.
3. Controleer of het display op de afstandsbediening "SLUIT SLANGENPAKKET AAN" weergeeft. Zo niet, volg de aanwijzingen in de gebruiksaanwijzing voor PP 455E of RC 455.
4. Monteer de twee dickere hydraulische slangen eerst op het aggregaat en vervolgens op de aansluitingen van de zaagmotor. Vergrendel de aansluitingen door de huls van de koppeling zo te draaien dat de gleuf van de kogel af komt.
5. Monteer het drukreductieblok op het hydraulisch aggregaat volgens de aanwijzingen op het blok.
6. Sluit twee van de dunneren hydraulische slangen aan op het drukreductieblok. De slang uit het slangenpakket, die is gemerkt met een rode ring bij de koppeling, moeten worden aangesloten op de slang op het drukreductieblok die ook een ring heeft.



Vergrendel de aansluitingen door de huls van de koppeling zo te draaien dat de gleuf van de kogel af komt.

7. Monteer de twee slangen die zijn aangesloten op het drukreductieblok op de slangen naar de invoercilinder op de zaag. De slang uit het slangenpakket, die is gemerkt met een rode ring bij de koppeling, moeten worden aangesloten op de slang op het drukreductieblok die ook een ring heeft.
8. Sluit de waterslang aan op het inkomende water op de zaag.

Als de koppelingen bij de montage aanlopen, moeten ze helemaal los worden gemaakt voor ze opnieuw worden gemonteerd.

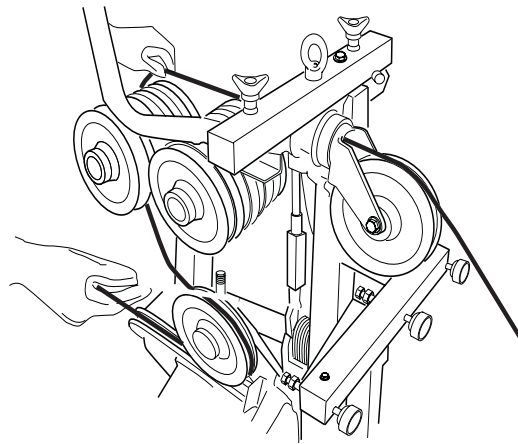
Zorg ervoor dat de koppelingen op de slangen die niet worden gebruikt, niet op de grond liggen.

Hou de koppelingen altijd zo schoon mogelijk. Een schone koppeling gaat langer mee.

De kabel insteken

Om de montage van de kabel te vereenvoudigen kan de bescherming makkelijk weg getild worden. Steek de kabel er vervolgens op de volgende manier in:

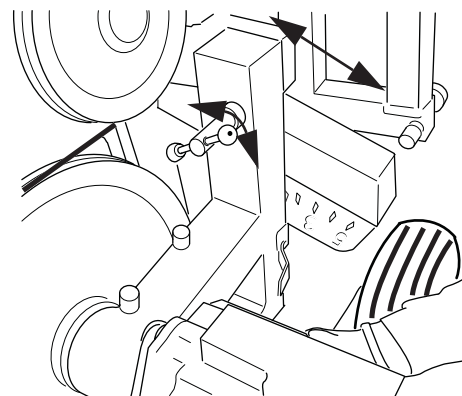
1. Zorg ervoor dat het magazijn in minstand staat.
2. Leg de kabel rond het werkstuk, evt. door vorgeboorde gaten, en terug naar de zaag.
3. Haal de kabel door het gat bij het zwenkwiel en rond het geschikte aantal wielparen in het magazijn.



4. Stel de drijfwieleenheid af op het aantal wielparen dat in het magazijn wordt gebruikt:

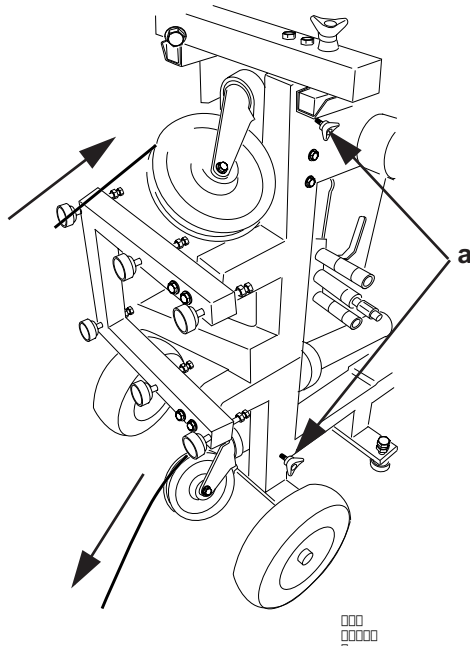
Maak de arm los door de knop tegen de klok in te draaien. Draai de drijfwieleenheid vervolgens zo dat de arm in lijn staat met de markeringen op de zaag. Zet de drijfwieleenheid vervolgens vast door de knop terug te draaien.

Meestal wordt slechts een wielpaar gebruikt bij het begin van het zagen.

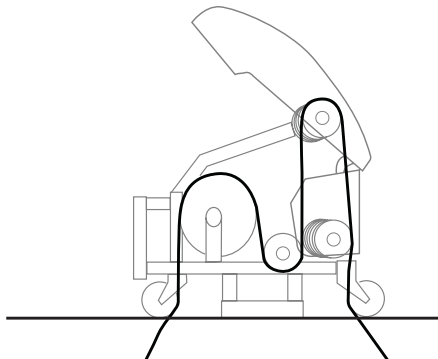


□□□□□□□□

5. Leg de kabel rond het aandrijfwiel en door het gat bij het tweede zwenkwiel. De zwenkwielen kunnen in de gewenste stand worden gedraaid en vastgezet door de gemarkeerde (a) knoppen vast te zetten.



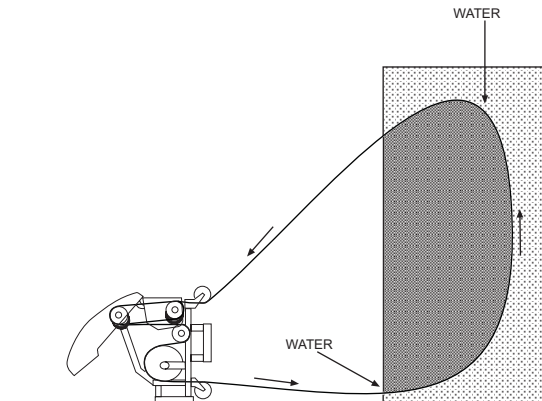
6. Voordat de verbindingen aan elkaar worden gezet, moet de kabel ineen worden gedraaid; 1 tot 2 slagen per meter kabel dat wordt gebruikt. Het is belangrijk de kabel dezelfde kant op te draaien als deze is gesponnen. Dit om een zo gelijkmatig mogelijke slijtage te krijgen van de diamantsegmenten van de kabel.
7. Zet de kabel vast met een spie. Wanneer de kabel geen eindhulzen heeft, moeten die op de kabel worden gezet. Hiervoor moet een speciale kabeltang worden gebruikt. Als u niet goed weet welk model u moet gebruiken, neem dan contact op met uw DIMAS dealer.
8. Als de kabel juist is getrokken, moet deze nu door de machine lopen, zoals op onderstaande afbeelding:

**LET OP**

Een gebruikte kabel moet altijd dezelfde kant opdraaien als voorheen, om geen onnodige slijtage te creëren.

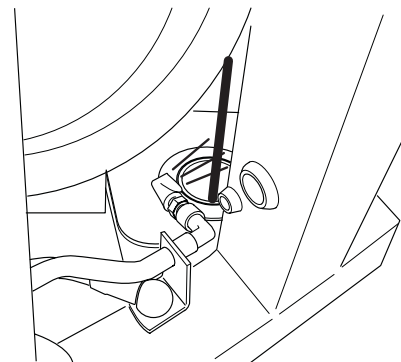
Plaats van koelwater

DIMAS CS 2512 is voorzien van twee uitgangen voor koelwater. Hier kan heel goed Dimas waterspuit op worden aangesloten. De waterspuit wordt vervolgens daar geplaatst waar de kabel het beton ingaat. Op die manier neemt de kabel het water mee de zaagsnede in, wat ertoe leidt dat het betonstof wordt gebonden en dat de kabel efficiënt wordt gekoeld.

**OPGELET**

Opdat het water de kabel tijdens het zagen naar behoren koelt, is het nodig de positie van het koelwater aan te passen naarmate er materiaal wordt weggezaagd. Denk er altijd aan de machine te stoppen wanneer u dit doet.

Naast het koelwater van de waterspuit wordt de kabel gespoeld bij de twee zwenkwielen op de machine. Dit om de kabel zo schoon mogelijk te houden, wat ertoe leidt dat de zaag met lagere wrijvingsverliezen en hogere effectiviteit kan werken omdat de kabel schoner is.



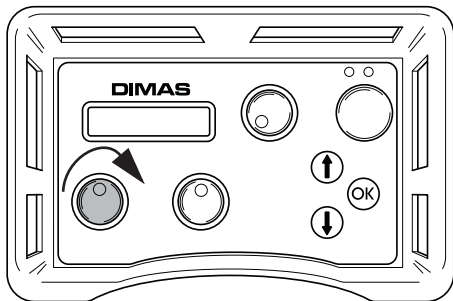
□□□□□□

Gebruik

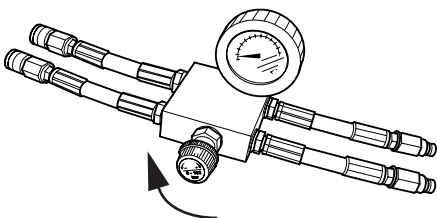
Zagen

Wanneer alle apparatuur is gemonteerd, kan het zagen beginnen. Om de zaag zo efficiënt mogelijk te laten zagen, moet deze op de volgende manier worden gestart:

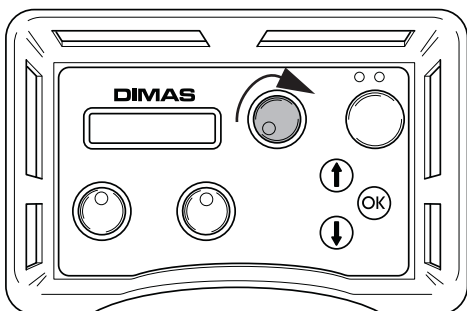
1. Sluit de klep op het drukreductieblok door de knop tegen de klok in te draaien tot deze niet verder kan en vervolgens twee slagen terug.
2. Start het hydraulisch aggregaat.
3. Zet de stroom voor de invoer op het aggregaat op maximaal door de hendel op de afstandsbediening met de klok mee te draaien.



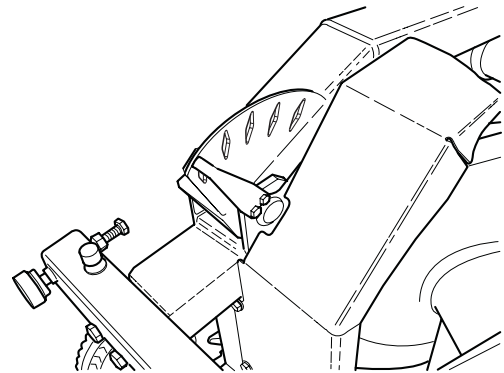
4. Span de kabel door de knop op het drukreductieblok voorzichtig met de klok mee te draaien tot de kabel voldoende strak staat. Blijf zorgvuldig controleren dat de kabel goed langs alle wielen door de zaag loopt.



5. Start de rotatie van de motor door de hendel voor motorrotatie op de afstandsbediening met de klok mee te draaien.



6. Verhoog voorzichtig het toerental van de motor door de knop voor motorrotatie om te draaien. Een geschikte werkdruk voor zagen is normaal tussen 100 en 130 bar, maar varieert afhankelijk van bijvoorbeeld het aantal wielparen dat in het magazijn wordt gebruikt, de hoeveelheid kabel die ingrijpt en de hardheid van het materiaal dat wordt gezaagd.
7. Terwijl het materiaal wordt weggezaagd, daalt de werkdruk, wat in het display te zien is, en moet het magazijn worden opgespannen. Dit doet u door de knop op het drukreductieblok met de klok mee te draaien.
8. De spanning uit het magazijn wordt aangegeven door een wijzer op de machine (op de afbeelding in minstand). Wanneer de magazijncilinder helemaal is opgespannen, moet u de machine stoppen en de kabel rond een nieuw wielpaar leggen. Ga vervolgens verder met zagen zoals hierboven beschreven.



OPGELET

Opdat het water de kabel tijdens het zagen naar behoren koelt, is het nodig de positie van het koelwater aan te passen naarmate er materiaal wordt weggezaagd. Denk er altijd aan de machine te stoppen wanneer u dit doet.

Zagen beëindigen

1. Verlaag de snelheid van de kabel en laat de motor helemaal stoppen.
2. Klap de magazijnarm in.
3. Koppel de ingaande elektrische kabel van het hydraulisch aggregaat los.
4. Haal de hydraulische slangen en de waterslang van de zaagunit.
5. Overige momenten voert u uit in omgekeerde volgorde.

Schoonmaken

Als u met zagen klaar bent, dient de zaag te worden schoongemaakt. Het is belangrijk de complete zaagapparatuur schoon te maken. U kunt de zaag makkelijk wassen door de waterslang van de draaiarm af te halen en deze te gebruiken om de zaagunit af te spoelen. Indien nodig kan het ook goed zijn om een afwasborstel of iets dergelijks te gebruiken om de apparatuur schoon te maken. Gebruik geen hogedrukreiniger om de zaagunit schoon te maken.

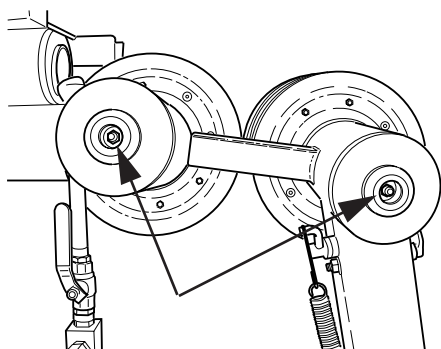
Onderhoud

Naast de dagelijkse verzorging als schoonmaken en smeren, dient de machine onderhoud te krijgen. Na 50 uur zagen dient u de machine voor een servicebeurt naar een erkende Dimaswerkplaats te brengen. Daarna moet de zaag om de 100 bedrijfsuren worden onderhouden. De service is belangrijk opdat u als gebruiker een machine hebt, die gedurende lange tijd zo efficiënt mogelijk functioneert.

Smeren

Om de kabel met zo min mogelijk frictie te laten lopen, moeten de magazijnassen gevuld zijn met vet. Vul ze daarom met vet om de 5 of 10 uren bedrijf. Gebruik Canadian Petroleum OG2 of vergelijkbaar smeervet.

Ook de lagers voor de magazijnassen moeten regelmatig worden gesmeerd, maar niet zo vaak als de magazijnassen.

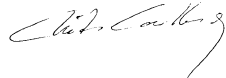




EU-verklaring

Husqvarna Construction Products Sweden AB, Box 2098, 550 02 Jönköping, Zweden, tel: +46-365706000, verklaart hiermee dat kabelzaag CS 2512 uit 01001 en verder, geproduceerd is overeenkomstig de richtlijnen van de Raad 98/37/EG aangaande machines, 73/23/EEG "de Laagspanningsrichtlijn" en richtlijn 89/336/EEG over elektromagnetische compatibiliteit, met wijzigingen, en dat volgende normen als richtsnoer zijn gebruikt: EN 55 014-1, EN 55 014-2, EN 61 000-3-2, EN 50 144-1, EN 13 862.

Jönköping, 2005-01-01



Christer Carlberg
Algemeen directeur



www.husqvarnacp.com

115 04 29-20

2006-12-14

Free Manuals Download Website

<http://myh66.com>

<http://usermanuals.us>

<http://www.somanuals.com>

<http://www.4manuals.cc>

<http://www.manual-lib.com>

<http://www.404manual.com>

<http://www.luxmanual.com>

<http://aubethermostatmanual.com>

Golf course search by state

<http://golfingnear.com>

Email search by domain

<http://emailbydomain.com>

Auto manuals search

<http://auto.somanuals.com>

TV manuals search

<http://tv.somanuals.com>