



GB

Operator's manual

Please read the operator's manual carefully and make sure you understand the instructions before using the machine.

ES

Manual de instrucciones

Lea detenidamente el manual de instrucciones y asegúrese de entender su contenido antes de utilizar la máquina.

DE

Bedienungsanweisung

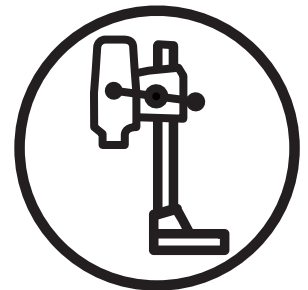
Lesen Sie die Bedienungsanweisung sorgfältig durch und machen Sie sich mit dem Inhalt vertraut, bevor Sie das Gerät benutzen.

FR

Manuel d'utilisation

Lire attentivement et bien assimiler le manuel d'utilisation avant d'utiliser la machine.

DS50
AT/ATS
DS70
AT



GB ES DE FR

KEY TO SYMBOLS

Symbols on the machine:

WARNING! The machine can be a dangerous tool if used incorrectly or carelessly, which can cause serious or fatal injury to the operator or others.



Please read the operator's manual carefully and make sure you understand the instructions before using the machine.



Always wear:

- Approved protective helmet
- Approved hearing protection
- Protective goggles or a visor
- Breathing mask



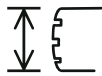
This product is in accordance with applicable EC directives.



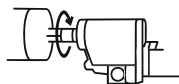
Ensure that water cannot leak into the machine when drilling in the ceiling. Use an appropriate water collector and cover the machine in plastic, but do not cover the air intakes and air outlets.



The drilling machine must be suitable and designed for the size of drill bit, max. drill diameter is stated on the stand.



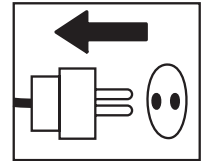
The drilling machine must conform to applicable regulations, EU-requirements as well as national requirements.



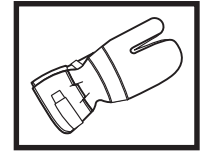
Other symbols/decals on the machine refer to special certification requirements for certain markets.

Symbols in the operator's manual:

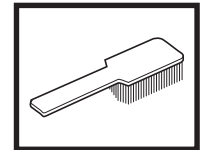
Inspection and/or maintenance should be carried out with the motor switched off and the plug disconnected.



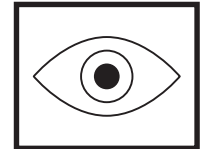
Always wear approved protective gloves.



Regular cleaning is required.



Visual check.



Protective goggles or a visor must be worn.



CONTENTS

Contents

KEY TO SYMBOLS

| | |
|---|---|
| Symbols on the machine: | 2 |
| Symbols in the operator's manual: | 2 |

CONTENTS

| | |
|----------------|---|
| Contents | 3 |
|----------------|---|

WHAT IS WHAT?

| | |
|----------------------------------|---|
| What is what on the stand? | 4 |
|----------------------------------|---|

SAFETY INSTRUCTIONS

| | |
|--------------------------------------|---|
| Steps before using a new stand | 5 |
| Personal protective equipment | 5 |
| General safety precautions | 6 |
| General working instructions | 6 |

PRESENTATION

| | |
|---------------------------|---|
| Stand DS50 and DS70 | 7 |
|---------------------------|---|

ASSEMBLY

| | |
|-------------------------------|----|
| Assembling the stand | 9 |
| Assembly of drill motor | 9 |
| Before drilling | 10 |

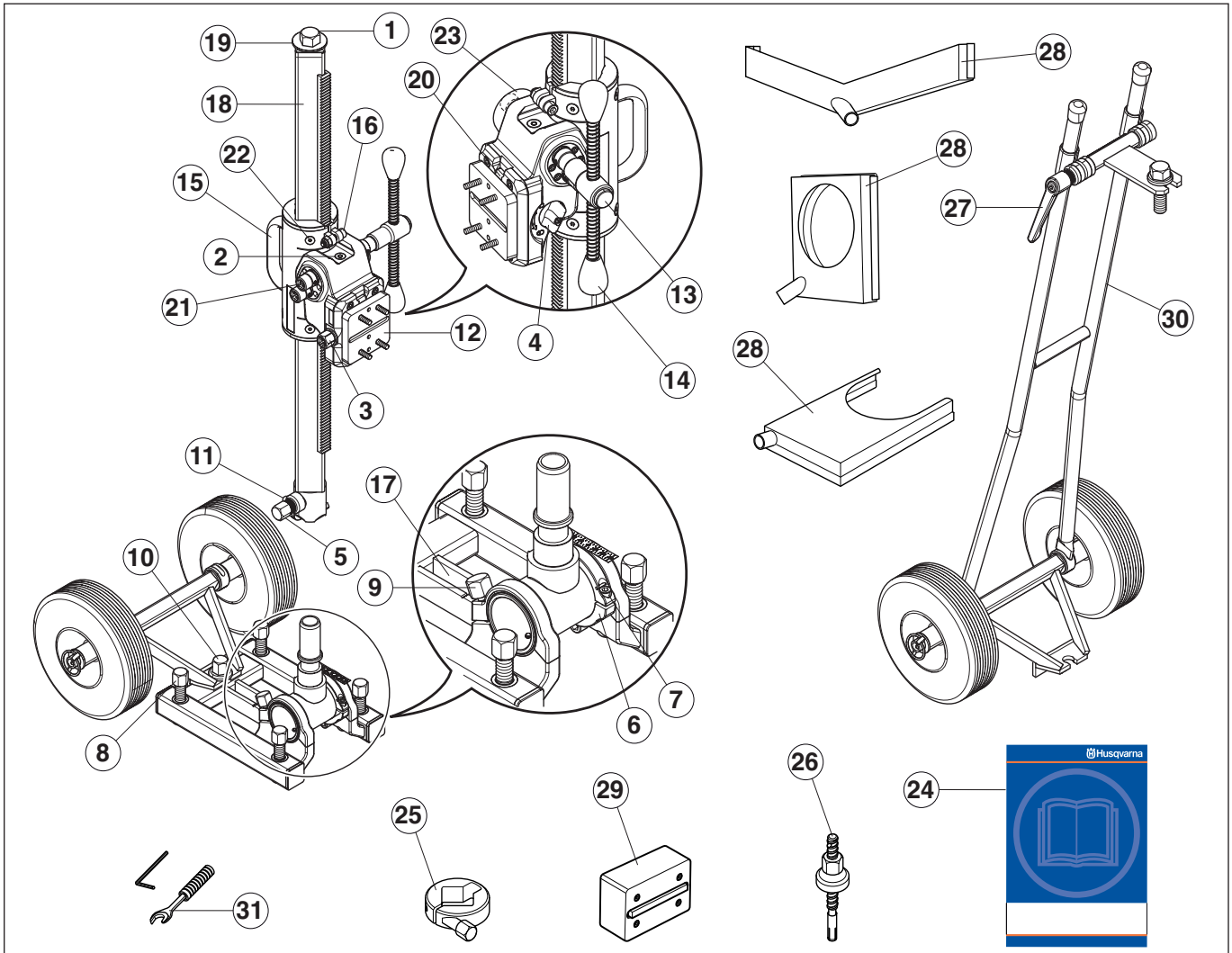
MAINTENANCE

| | |
|-------------------------|----|
| Stand maintenance | 11 |
|-------------------------|----|

TECHNICAL DATA

| | |
|------------------------------------|----|
| Dimensions | 12 |
| The column's angling | 13 |
| Weight | 13 |
| EC-declaration of conformity | 14 |

WHAT IS WHAT?



What is what on the stand?

- | | |
|---|--|
| 1 Locking screw | 17 Expansion attachment |
| 2 Spirit level | 18 Drill column |
| 3 Locking screw, locking clamp | 19 Stop washer |
| 4 Feeder housing lock | 20 Locking clamp for quick mounting |
| 5 Locking screw drill column | 21 Mounting for feed lever |
| 6 Position ring | 22 Clamping screws for glide plates |
| 7 Locking screw, position ring | 23 Quick mounting for automatic feed unit (both sides of feeder housing) (Accessory) |
| 8 Adjustment screws | 24 Operator's manual |
| 9 Locking screw, angle drill column | 25 Retaining ring (Accessory) |
| 10 Locking screw, wheel | 26 Expander (Accessory) |
| 11 Locking screw, pivot function on drill column | 27 Locking knob |
| 12 Quick mounting | 28 Water collector (Accessory) |
| 13 Lock button, feed lever | 29 Distance (Accessory) |
| 14 Feed lever | 30 Stabilizer (Accessory) |
| 15 Handle | 31 Tool kit |
| 16 Adjustment screw feeder housing against drill column | |

SAFETY INSTRUCTIONS

Steps before using a new stand

- Please read the operator's manual carefully and make sure you understand the instructions before using the machine.
- This machine is designed for and intended for drilling concrete, brick and different stone materials. All other use is improper.
- The machine is intended for use in industrial applications by experienced operators.
- Keep the workplace tidy. Disorder leads to accident risks.
- Also read the operating manual enclosed with the drill motor and check that its performance is compatible with the stand.

Always use common sense

It is not possible to cover every conceivable situation you can face. Always exercise care and use your common sense. Avoid all situations which you consider to be beyond your capability. If you still feel uncertain about operating procedures after reading these instructions, you should consult an expert before continuing. Do not hesitate to contact your dealer or us if you have any more questions about the use of the machine. We will willingly be of service and provide you with advice as well as help you to use your machine both efficiently and safely.

Let your Husqvarna dealer regularly check the machine and make essential adjustments and repairs.

All information and all data in the Operator's Manual were applicable at the time the Operator's Manual was sent to print.



WARNING! Under no circumstances may the design of the machine be modified without the permission of the manufacturer. Always use genuine accessories. Non-authorized modifications and/or accessories can result in serious personal injury or the death of the operator or others.

Personal protective equipment

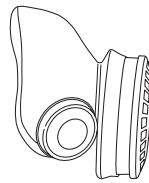


WARNING! You must use approved personal protective equipment whenever you use the machine. Personal protective equipment cannot eliminate the risk of injury but it will reduce the degree of injury if an accident does happen. Ask your dealer for help in choosing the right equipment.

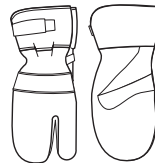
- Protective helmet
- Hearing protection
- Protective goggles or a visor



- Breathing mask



- Heavy-duty, firm grip gloves.



- Tight-fitting, heavy-duty and comfortable clothing that permits full freedom of movement.



- Boots with steel toe-caps and non-slip sole.



- Always have a first aid kit nearby.



SAFETY INSTRUCTIONS

General safety precautions

- Please read the operator's manual carefully and make sure you understand the instructions before using the machine.



WARNING! There is always a risk of crush injuries when working with products containing moving parts. Wear protective gloves to avoid body injuries.

- Never use the machine if you are tired, if you have drunk alcohol, or if you are taking medication that could affect your vision, your judgement or your co-ordination.
- Wear personal protective equipment. See instructions under the heading Personal protective equipment.
- Never use a machine that is faulty. Carry out the checks, maintenance and service instructions described in this manual. Some maintenance and service measures must be carried out by trained and qualified specialists. See instructions under the heading Maintenance.
- Never allow anyone else to use the machine without first ensuring that they have understood the contents of the operator's manual.
- People and animals can distract you causing you to lose control of the machine. For this reason, always remain concentrated and focused on the task.
- Be careful as clothing, long hair, and jewellery can get caught in moving parts.

Transport and storage

Do not store or transport the stand with the drilling machine fitted in order to protect your stand from damage.

Store the equipment in a lockable area so that it is out of reach of children and unauthorised persons.

Store the drilling machine and stand in dry and frost free conditions.

General working instructions

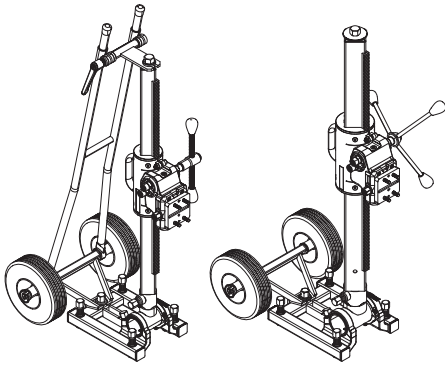


Basic safety rules

- Do not use the machine in bad weather, such as dense fog, rain, strong wind, intense cold, etc. Working in bad weather is tiring and can lead to dangerous conditions, e.g. slippery surfaces.
- Never start to work with the power cutter before the working area is clear and you have a firm foothold. Look out for any obstacles with unexpected movement. Ensure when cutting that no material can become loose and fall, causing operating injury.
- Ensure that the working area is sufficiently illuminated to create a safe working environment.
- Make sure that no pipes or electrical cables are routed in the area to be drilled.
- Always check the rear side of the surface where the drill bit will emerge when drilling right through. Secure and cordon off the area and make sure that no one can be injured or material damaged.
- Never work alone, always ensure there is another person close at hand. Apart from being able to receive help to assemble the machine, you can also get help if an accident should occur.
- Keep all parts in good working order and ensure that all fixtures are properly tightened.

PRESENTATION

Stand DS50 and DS70



It is our wish that you will be satisfied with your product and that it will be your companion for a long time. Think of this operator's manual as a valuable document. By following its' content (using, service, maintenance etc) the life span and the second-hand value of the machine can be extended. If you will sell this machine, make sure that the buyer will get the operator's manual.

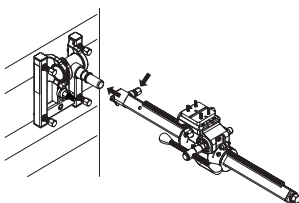
A purchase of one of our products gives you access to professional help with repairs and services whenever this may be necessary. If the retailer who sells your machine is not one of our authorised dealers, ask him for the address of your nearest service workshop.

Husqvarna Construction Products has a policy of continuous product development. Husqvarna reserves the right to modify the design and appearance of products without prior notice and without further obligation introduce design modifications.

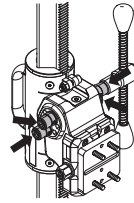
- The stand features a modular design.



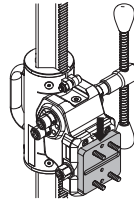
- The stands are secured using expanding screws.
- The drill column can be dismantled from the base plate. This makes assembly easier.



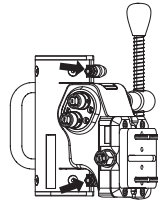
- The feeder housing's transmission is adjustable. The higher gives 2.5:1 and the lower, 1:1. The feed lever can be mounted on both sides of the feeder housing.



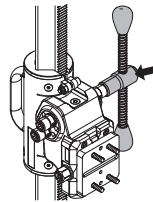
- The feeder housing is equipped with a quick mounting for a number of drilling machines.



- The feeder housing's slide function on the column is adjusted with the 2 adjustment screws.



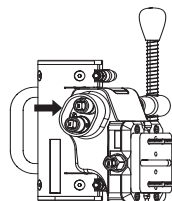
- The feed lever is equipped with a lock button for release.



- The stand makes angle drilling and pivot function possible.
- Only fixed spanner (24 mm) and hex-key (6 mm) are required to change the settings.



- The drill column can be variably adjusted through 360°.
- The feeder housing is prepared for quick mounting for automatic feed unit which fits on both sides.

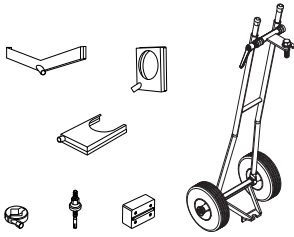


- The transport wheels can be removed.

PRESENTATION

Accessories

- Water collector
- Quick mounting for automatic feed unit (both sides of feeder housing)
- Retaining ring
- Expander
- Distance
- Stabilizer For extra support.

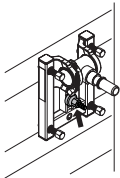


ASSEMBLY

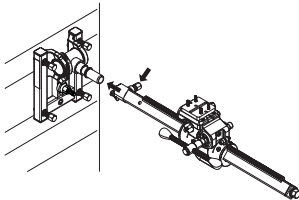
Assembling the stand



- 1 Drill holes (15 mm) in the floor or in the wall and knock in the expander bolts.
- 2 Screw the base plate tight. Check carefully that the expander is secured correctly.

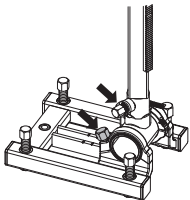


- The drill column is mounted on the base plate's angle bracket. Fasten the locking screw with a 24 mm spanner.

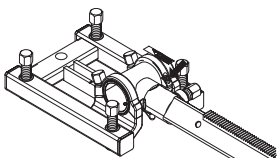
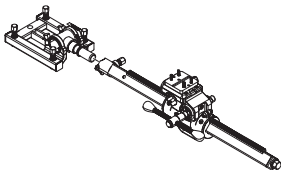


The drill column can be variably adjusted through 360°. With help of the locking screw for the pivot function, the column can be adjusted in four fixed

- 3 The column can be angled by loosening the locking screws with a 24 mm spanner.



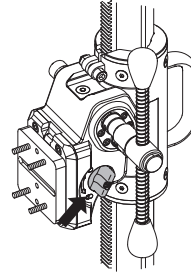
- To angle the column parallel to the base plate, loosen the screw on the positioning ring.



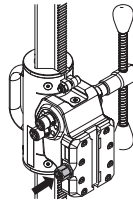
Assembly of drill motor



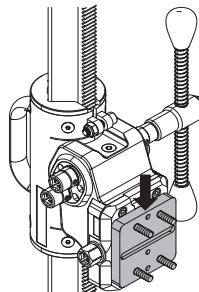
- 1 Lock the feeder housing on the drill column with the lock handle.



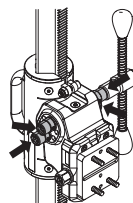
- 2 Loosen the locking screw for the locking clamp.



- 3 Always remove the drill bit before the motor is mounted or dismantled.
- 4 Mount suitable drilling machine on the quick mounting. Mount the quick mounting and drilling machine in the track on the locking clamp.



- 5 Fasten the locking clamp with the locking screw.
- 6 Set the feed lever to a suitable transmission.



- 7 Unlock the feeder housing.
- 8 Start drilling. See manual for selected drilling machine.

The slide function on the feeder housing is factory set. To adjust the slide function, see maintenance.

ASSEMBLY

Before drilling



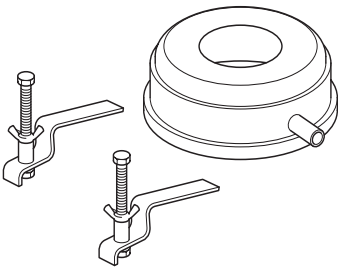
WARNING! Before drilling, check that all locking screws are tightened well. Serious accidents can occur if the concrete core remains in the drill when backing out the drill motor/drill from the floor, wall or ceiling.



WARNING! If the vacuum plate is used, make sure the support surface is not porous and can loosen from the floor or the wall. Make sure that the vacuum pump has sufficient power to secure the vacuum plate.

The vacuum plate must never be used for ceiling drilling. Careless or incorrect use can result in serious, even fatal injury.

IMPORTANT! Ensure that water cannot leak into the machine when drilling in the ceiling. Use an appropriate water collector and cover the machine in plastic, but do not cover the air intakes and air outlets.



MAINTENANCE

Stand maintenance



The lifetime of your machine can be extended considerably if it is used, cared for and maintained in the proper manner.

IMPORTANT! All types of repairs may only be carried out by authorised repairmen. This is so that the operators are not exposed to great risks.

Cleaning and lubrication



IMPORTANT! Remove the drill motor.

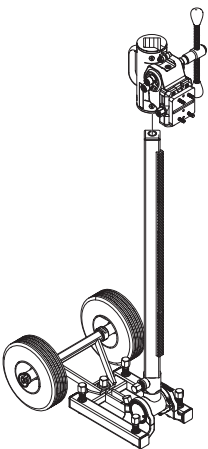
- It is important that the drill stand is kept clean for functionality to be maintained.
- Clean the stand using a high pressure washer and then wipe dry.
- Lubricate the moving parts on the stand. Apply standard grease to counteract corrosion on the contact surfaces.

Daily maintenance

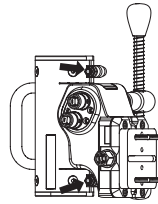
- 1 Check that nuts and screws are tight.
- 2 Clean the outside of the machine.
- 3 Check the slide function on the glide plates. Change the glide plates if there is a backlash between the glide plates and the drill column.

Changing glide plates

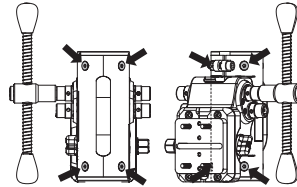
- 1 Remove the drill motor.
- 2 Remove the feeder housing from the column.



- 3 Loosen the adjustment screws.



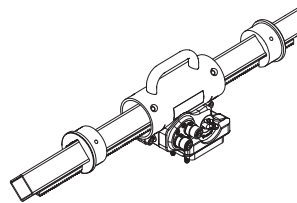
- 4 Loosen 2*4 clamping screws for the glide plates.



- 5 Remove the glide plates.

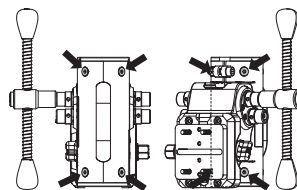
- 6 Lay down the stand.

- 7 Mount a new lower glide plate on the column. Fit the feeder housing on the column and fasten the lower glide plate on the feeder housing. Mount a new upper glide plate on the column. Fasten the upper glide plate on the feeder housing.

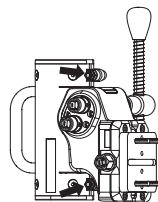


IMPORTANT! The glide plates' surfaces must be parallel.

- 8 Fasten the rear clamping screws (4). Then fasten the front (4) clamping screws.



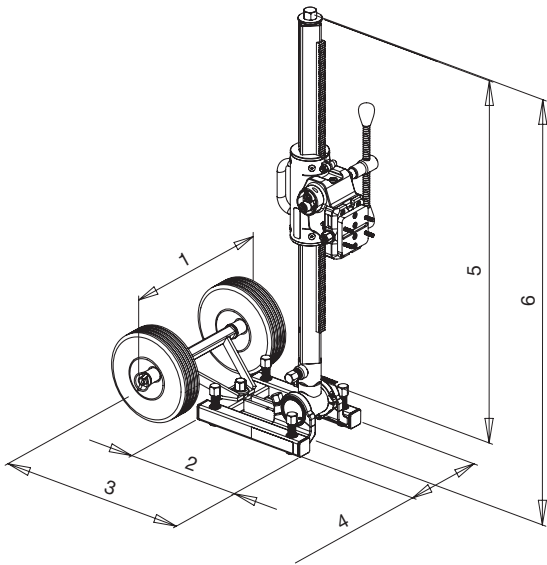
- 9 Adjust the play between column and feeder housing with the adjustment screws.



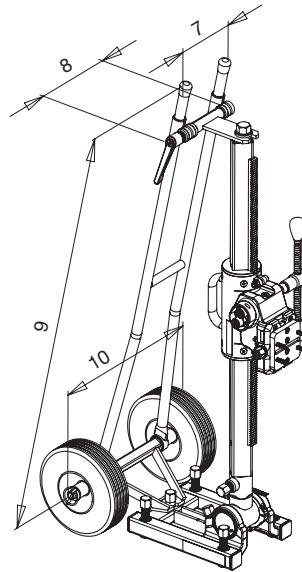
TECHNICAL DATA

Dimensions

DS50 DS70



DS50 ATS



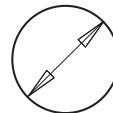
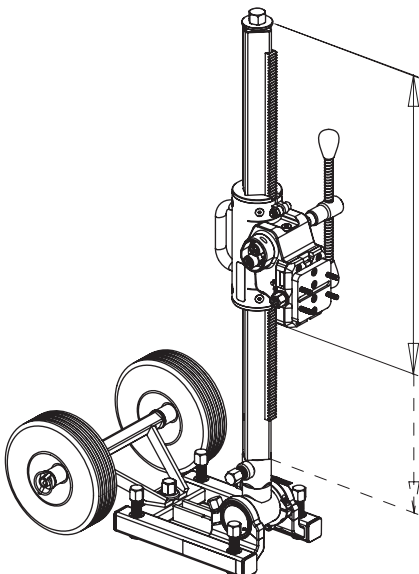
| | DS50, mm/inch | DS70, mm/inch |
|----|---------------|---------------|
| 1 | 438/17,2 | 438/17,2 |
| 2 | 320/12,6 | 340/13,4 |
| 3 | 526/20,7 | 546/21,5 |
| 4 | 235/9,3 | 265/10,4 |
| 5 | 971/38,2 | 1026/40,4 |
| 6 | 1140/44,9 | 1205/47,4 |
| 7 | 177/7,0 | - |
| 8 | 231/9,1 | - |
| 9 | 1158/45,6 | - |
| 10 | 450/17,7 | - |

Stroke , mm/inch

Expander

Max. drill diameter, mm/inch

DS50 DS70



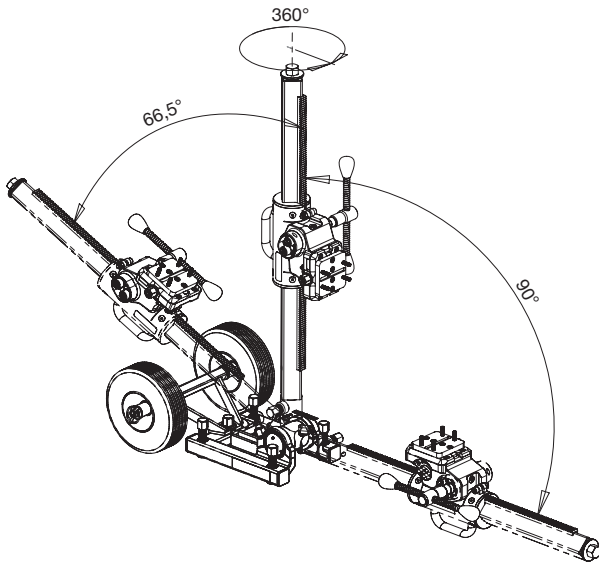
DS50 0-676/0-26,6
DS70 0-757/0-29,8

Track width, mm/inch
DS50/DS70 20,8

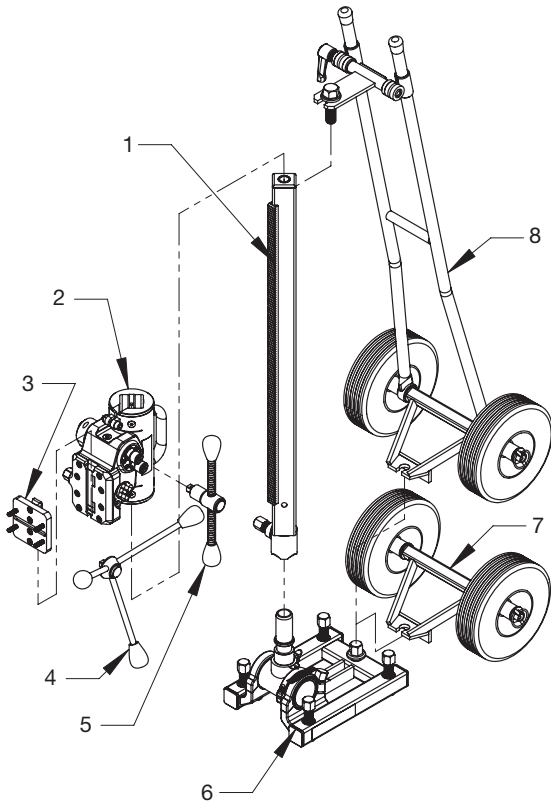
DS50 350
DS70 600

TECHNICAL DATA

The column's angling



Weight



| | | DS50, kg/lbs | DS70, kg/lbs |
|---|--|---------------------|---------------------|
| 1 | Drill column | 6,7/14,7 | 9,1/20,0 |
| 2 | Feeder housing | 7,8/17,2 | 9,7/21,3 |
| 3 | Quick mounting | 0,6/1,3 | 0,6/1,3 |
| 4 | Feed lever | - | 0,8/1,8 |
| 5 | Feed lever | 0,8/1,8 | - |
| 6 | Base plate | 9,2/20,2 | 12,0/26,4 |
| 7 | Transport wheels | 4,1/9,0 | 4,1/9,0 |
| | Total weight without stabilizer | 29,2/64,2 | 36,3/79,9 |
| 8 | Stabilizer | 9,1/20,0 | - |

TECHNICAL DATA

EC-declaration of conformity

(Applies to Europe only)

Husqvarna Construction Products, SE-433 81 Partille, Sweden, tel: +46-31-949000, declares under sole responsibility that the stands **Husqvarna DS50AT and DS70AT** from 2007's serial numbers and onwards (the year is clearly stated in plain text on the type plate with subsequent serial number) are in conformity with the requirements of the COUNCIL'S DIRECTIVES:

- of June 22, 1998 "relating to machinery" **98/37/EC**, annex IIA.

The following standards have been applied:

SE-EN12348

The supplied stand conforms to the example that underwent EC type examination. The stand must conform to applicable regulations, EU-requirements as well as national requirements.

Göteborg, May 5, 2006

A handwritten signature in black ink that reads "Martin Larsson". The signature is written in a cursive style and is placed over a light gray rectangular background.

Martin Larsson, R&D-manager



www.husqvarnacp.com

1150979-20



2007-09-26

Download from www.Somanuals.com. All Manuals Search And Download.

Free Manuals Download Website

<http://myh66.com>

<http://usermanuals.us>

<http://www.somanuals.com>

<http://www.4manuals.cc>

<http://www.manual-lib.com>

<http://www.404manual.com>

<http://www.luxmanual.com>

<http://aubethermostatmanual.com>

Golf course search by state

<http://golfingnear.com>

Email search by domain

<http://emailbydomain.com>

Auto manuals search

<http://auto.somanuals.com>

TV manuals search

<http://tv.somanuals.com>