

WS 325

Reservdelar

Spare parts

Ersatzteile

Pieces de rechange

Piezas de repuesto

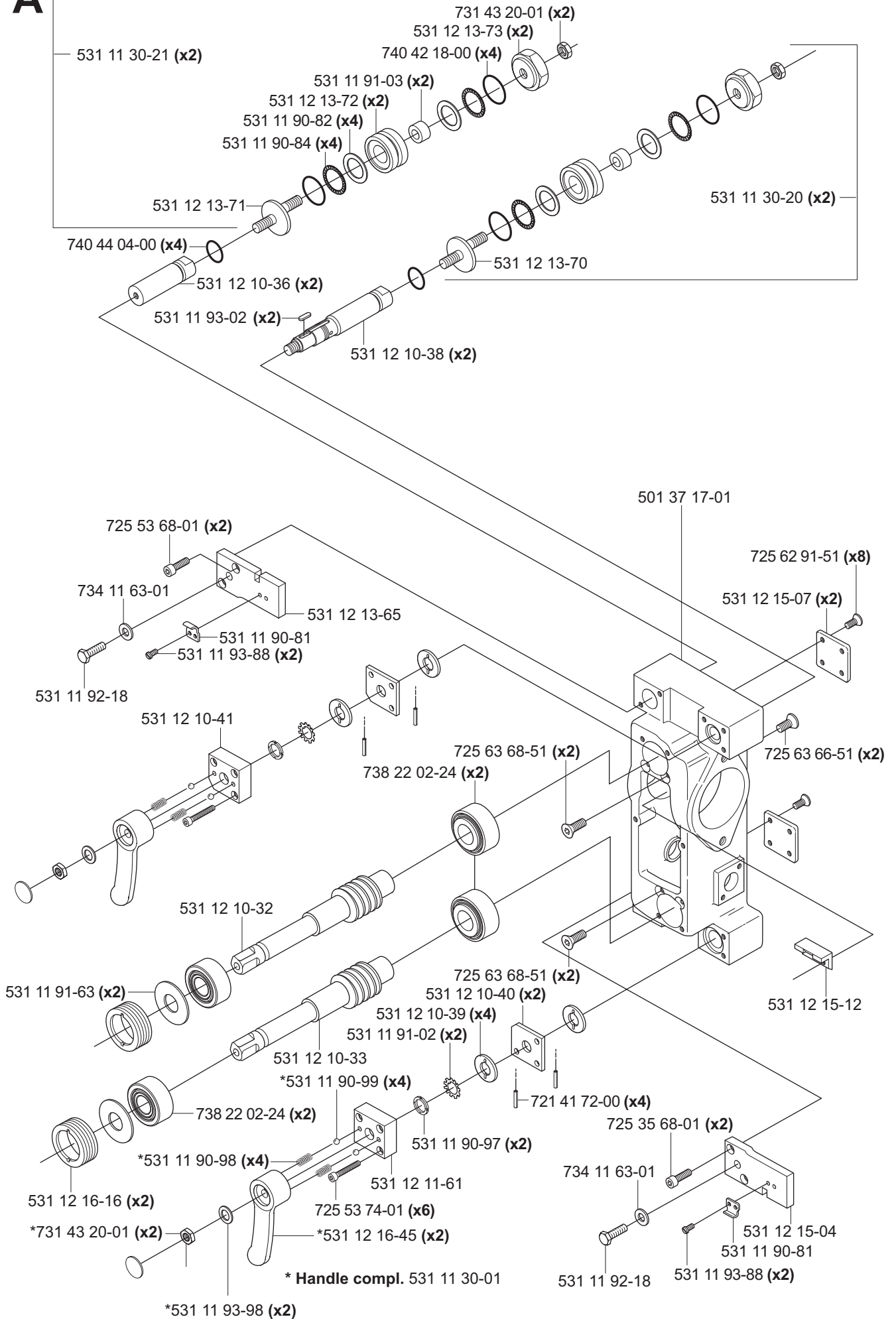
Ricambi

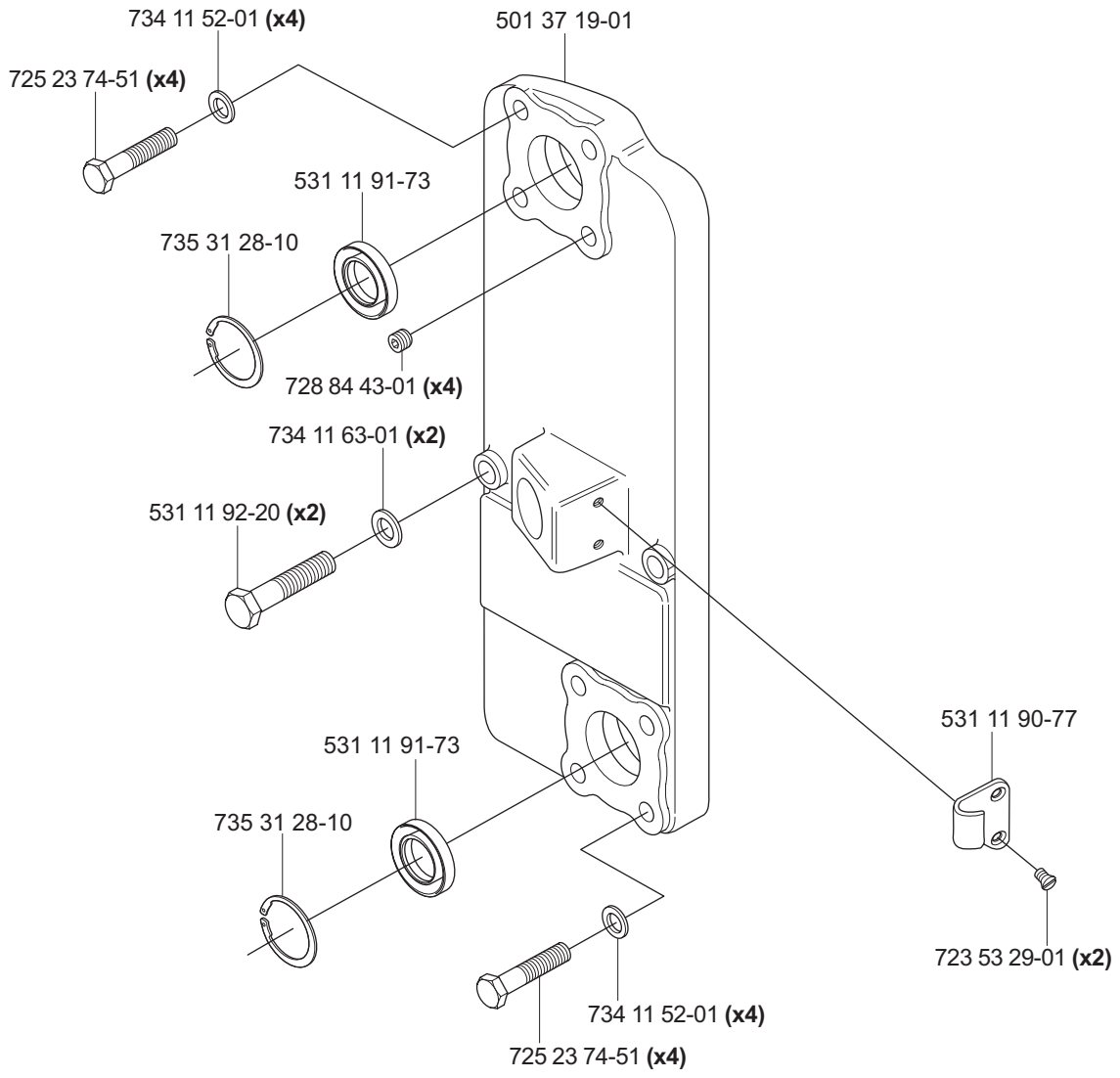
Peças sobresselente

No.	Pos.	Description	No.	Pos.	Description
501 37 17-01	AD	Saw carriage	531 11 91-73	B	Radial shaft seal BA 15x28x7
501 37 19-01	B	Cover plate feeding	531 11 91-79	C	Radial shaft seal BASL 30x42x6
501 37 21-01	C	Pivoting arm	531 11 91-81	EFGHJK	Washer 10,5x22
501 37 22-01	C	Pivoting arm cover	531 11 91-83	FGL	Washer 13x24x2
504 05 86-02	M	Husqvarna OIL 150 4 dl.	531 11 91-84	G	Spring pin 6x90
504 09 95-01	C	Arm complete 1"	531 11 91-85	CE	Sealing ring 1/2"
504 09 95-02	C	Arm complete 60mm	531 11 91-98	EHJK	Screw M6S 10x25
531 11 30-01	A	Lever complete	531 11 91-99	G	Screw M6S 10x30
531 11 30-02	F	Short feed handle compl	531 11 92-00	HJK	Screw M6S 10x35
531 11 30-07	F	Telescopic feed handle compl	531 11 92-02	G	Screw M6S 12x25
531 11 30-10	G	Track section 2,3m	531 11 92-03	CL	Screw M6S 12x30
531 11 30-11	G	Track section 1,3m	531 11 92-07	L	Screw M6S 12x45
531 11 30-13	G	Coupling link	531 11 92-09	HJK	Screw M6S 5x16
531 11 30-20	A	Guide Wheel concentric	531 11 92-11	HJK	Screw M6S 6x16
531 11 30-21	A	Guide Wheel eccentric	531 11 92-13	J	Screw M6S 6x22
531 11 30-27	HJ	Flushcutting flange compl.	531 11 92-14	C	Screw M6S 6x25
531 11 30-37	F	Water hose with valve	531 11 92-18	A	Screw M6S 8x25
531 11 30-57	K	Blade guard 730 compl	531 11 92-20	B	Screw M6S 8x35
531 11 30-62	K	Blade guard 930 compl	531 11 92-32	G	Screw MC6S 6x14
531 11 30-78	E	Shaftseal set scn 18x30x6 compl	531 11 92-38	E	Screw MC6S 6x120 din
531 11 31-12	E	Hydraulic motor	531 11 92-40	HJ	Screw MF6S 12x30
531 11 31-25	J	Blade guard 930 flushcut	531 11 92-48	F	Cap nut M10
531 11 31-27	H	Blade guard flush cut	531 11 92-59	J	Guide screw MP6SS 6x35
531 11 31-38	L	Mounting bracket std	531 11 92-83	C	O-ring 44,2x3
531 11 31-40	L	Mounting bracket us	531 11 92-85	C	O-ring 49,0x1,6
531 11 31-41	H	Blade guard 730 flush cut middle	531 11 93-02	AF	Key 4x4x16
531 11 31-42	H	Blade guard 730 flush cut sect.	531 11 93-08	C	Key 6x6x16
531 11 31-43	H	Blade guard 730 flush cut sect.	531 11 93-10	C	Key 8x7x25
531 11 31-44	J	Blade guard 930 flush cut middle	531 11 93-19	E	Radial shaft seal
531 11 31-45	J	Blade guard 930 flush cut sect.	531 11 93-29	E	Support ring 17x21
531 11 31-46	J	Blade guard 930 flush cut sect.	531 11 93-33	D	V-ring VS 45
531 11 31-94	HJ	Flushcutting flange compl. 1"	531 11 93-35	HJK	Wing nut WM8
531 11 33-40	L	Locking clamp screw	531 11 93-40	E	Plug VSTI R1/2"
531 11 80-49	E	Quickcoupling 3/8" female	531 11 93-48	HJK	Washer 6,4x22
531 11 80-50	E	Quickcoupling 3/8" male	531 11 93-64	L	Spring
531 11 81-08	E	Valve on/off	531 11 93-88	A	Screw MLC6S 4x8
531 11 81-13	C	Magnetic plug	531 11 93-98	A	Washer 12x18x1
531 11 81-16	C	Coupling	531 11 94-08	HJ	Screw UF6S 5/16-18x5/8
531 11 82-00	E	Adapter	531 11 94-11	HJ	Screw MC6S 12x70
531 11 82-36	C	Quickcoupling male	531 12 10-20	C	Pivoting arm shaft
531 11 90-65	M	Wrench 18mm	531 12 10-25	D	Vorm gear
531 11 90-70	F	Stop ring	531 12 10-30	D	Retaining washer
531 11 90-71	J	Toogle fastener	531 12 10-32	A	Worm shaft
531 11 90-77	BD	Hook	531 12 10-33	A	Worm shaft
531 11 90-78	F	Spring 5860	531 12 10-36	A	Adjusting spindle
531 11 90-80	HJK	Toogle fastener	531 12 10-38	A	Eccentric spindle
531 11 90-81	A	Hook	531 12 10-39	A	Bearing washer
531 11 90-82	A	Washer AS 1226	531 12 10-40	A	Support plate
531 11 90-83	C	Washer AS 2035	531 12 10-41	A	Interlocking cover,right
531 11 90-84	A	Bearing AXK 1226	531 12 10-48	F	Handwheel shaft
531 11 90-85	C	Bearing AXK 2035	531 12 10-53	F	Extension pipe
531 11 90-90	C	Rubber plug GL 24	531 12 10-59	F	Bracket
531 11 90-91	F	Disc wheel crank	531 12 10-76	C	Sealing Washer
531 11 90-94	C	Bearing K25x30x26 ZW	531 12 10-84	G	Guide track section 870mm
531 11 90-96	D	Nut KM10	531 12 10-85	G	Guide track section 510mm
531 11 90-97	A	Nut KM3	531 12 10-86	G	Guide track section 420mm
531 11 90-98	A	Spring LBR 45 F	531 12 11-20	HJK	Bracket
531 11 90-99	A	Ball 6mm	531 12 11-58	D	Shaft
531 11 91-01	D	Lock Washer MB 10	531 12 11-59	D	Spacer sleever
531 11 91-02	A	Lock Washer MB 3	531 12 11-60	D	Worm and pinion gear
531 11 91-03	A	Bearing NK 12/12	531 12 11-61	A	Interlocking cover,left
531 11 91-05	F	Ball 5mm	531 12 11-64	F	Feeding rod
531 11 91-06	C	Support sleeve	531 12 12-08	F	Crank MT160
531 11 91-11	E	Lever	531 12 12-33	G	End plate
531 11 91-63	A	Shim 28x35x3,2	531 12 12-35	HJK	Guide pin left
531 11 91-65	HJK	Blind rivet 4x12	531 12 12-36	HJK	Guide pin right
531 11 91-66	C	Shim 40x47x1	531 12 12-37	G	Aluminium profile track 2,3m
531 11 91-67	C	Shim 42x52x1	531 12 12-38	G	Aluminium profile track 1,3m
531 11 91-70	D	Shim 68x80x0,27	531 12 12-40	G	Gear rack 2,3m
531 11 91-71	D	Shim 68x80x1	531 12 12-41	G	Gear rack 1,3m

No.	Pos.	Description	No.	Pos.	Description
531 12 12-42	D	Guide, right	723 53 29-01	B	Screw MFS 5x16
531 12 12-43	D	Guide, left	725 23 74-51	B	Screw M6S 6x30
531 12 12-44	F	Flexible shaft	725 23 82-51	L	Screw M6S 6x60
531 12 12-80	E	Tube screw	725 24 69-51	C	Screw M6S 8x90
531 12 12-86	G	Coupling link	725 25 46-51	C	Screw M6S 12x70
531 12 12-88	G	Clamping washer	725 53 68-01	AC	Screw MC6S 6x16
531 12 12-93	D	Spacer ring	725 53 70-01	CG	Screw MC6S 6x20
531 12 13-44	E	Support washer	725 53 74-01	A	Screw MC6S 6x30
531 12 13-65	A	Guide plate	725 53 76-01	D	Screw MC6S 6x35
531 12 13-66	J	Support plate	725 53 78-01	E	Screw MC6S 6x40
531 12 13-70	A	Guide wheel bolt concentric	725 54 51-01	L	Screw MC6S 8x20
531 12 13-71	A	Guide wheel bolt eccentric	725 62 91-51	A	Screw MF6S 4x12
531 12 13-72	A	Guide wheel	725 63 66-51	A	Screw MF6S 6x12
531 12 13-73	A	Nut	725 63 68-51	ACD	Screw MF6S 6x16
531 12 13-86	C	Blade shaft	725 64 49-51	HJ	Screw MF6S 8x16
531 12 13-92	C	Blade flange inner	728 73 60-05	CF	Stop screw S6SS 6x6
531 12 13-93	C	Blade flange outer	728 84 43-01	B	Stop screw SK6SS 8x8
531 12 14-06	C	Cap	729 64 12-01	D	Screw ST 4,8x16
531 12 14-07	C	Guide sleeve	731 23 20-01	HJK	Nut M6M M10
531 12 14-10	HJ	Flushcutting flange	731 43 20-01	A	Nut ML6M M10 low
531 12 14-11	C	Sealing cover	732 25 16-01	CL	Nut M6 Nylock
531 12 14-19	HJK	Hook plate	734 11 35-71	J	Washer 4,3x8
531 12 14-20	HJK	Nut rod	734 11 52-01	BCGHJKL	Washer 6,4x12
531 12 14-49	C	Running shaft	734 11 63-01	AB	Washer 8,4x16
531 12 14-50	C	Axial washer	735 31 28-10	B	Seeger circlip SGH 16
531 12 14-51	C	Running wheel	735 31 30-10	E	Seeger circlip SGH 30
531 12 14-52	C	Blade wheel	738 21 06-00	C	Bearing 6006
531 12 14-53	C	Primary shaft	738 21 10-04	D	Bearing 6010-2RS1
531 12 14-54	C	Spacer ring	738 22 02-24	AD	Bearing 6202-R2S1 C2
531 12 14-68	HJK	Spacer ring	738 22 04-15	C	Bearing 6204
531 12 14-71	C	Water block	738 23 04-30	C	Bearing 6304
531 12 14-97	JK	T-strut	740 38 15-01	C	Sealing ring M8
531 12 14-99	HK	T-strut	740 42 18-00	A	O-ring 22,1x1,6
531 12 15-04	A	Guide plate	740 42 22-00	C	O-ring 32,1x1,6
531 12 15-05	D	Feeding cover	740 43 06-00	C	O-ring 8,3x2,4
531 12 15-06	D	Feeding cover	740 43 07-00	G	O-ring 9,3x2,4
531 12 15-07	A	Bearing cover	740 43 11-00	E	O-ring 13,3x2,4
531 12 15-12	A	Stop head	740 43 12-00	C	O-ring 14,3x2,4
531 12 15-13	D	Key	740 43 14-00	E	O-ring 16,3x2,4
531 12 15-24	E	Sealing cone	740 44 04-00	AE	O-ring 19,2x3
531 12 15-26	C	Blade shaft 1" US/CAN	740 44 09-00	CE	O-ring 32,2x3
531 12 15-27	C	Blade flange inner 1" US/CAN	740 51 45-24	C	Radial shaft seal
531 12 15-28	HJ	Flushcutting flange 1" US/CAN			
531 12 15-30	C	Water hose 6x1x52			
531 12 15-31	E	Connecting block P			
531 12 15-32	E	Connecting block T			
531 12 15-33	K	Blade guard 730 middlesection			
531 12 15-39	K	Blade guard 730 section (blue)			
531 12 15-44	K	Blade guard 730 section (red)			
531 12 15-49	K	Blade guard 930 middle section			
531 12 15-55	K	Blade guard 930 section (blue)			
531 12 15-60	K	Blade guard 930 section (red)			
531 12 16-03	L	Mounting bracket			
531 12 16-05	L	Locking clamp			
531 12 16-07	L	Nut stud			
531 12 16-09	C	Tubular shaft			
531 12 16-15	C	Blade flange outer 1" US/CAN			
531 12 16-16	A	Clamping sleeve			
531 12 16-18	L	Supporting bar			
531 12 16-31	F	Handle			
531 12 16-34	L	Mounting bracket us			
531 12 16-38	L	Distance piece			
531 12 16-45	A	Lever			
721 41 72-00	A	Spring pin 2x24			
721 42 56-00	F	Spring pin 4x20			
721 42 58-00	F	Spring pin 4x25			
721 42 62-00	F	Spring pin 4x32			
723 12 91-01	J	Screw MCS 4x12			
723 52 97-01	D	Screw MFS 4x25			
723 53 25-01	HJK	Screw MFS 5x10			

A WS 325





C**WS 325**

725 25 46-51 (1" US/CAN)

531 12 16-15 (1" US/CAN)
531 12 13-93531 12 15-27 (1" US/CAN)
531 12 13-92

531 11 92-03

725 53 70-01 (x3)

Arm complete1" 504 09 95-01
60mm 504 09 95-02

740 44 09-00

531 11 91-79 (x2)

531 11 92-85
738 21 06-00

531 12 14-11

531 11 81-13

728 73 60-05

531 11 91-85

725 53 70-01 (x4)

501 37 22-01

531 12 16-09

725 24 69-51 (x4)

740 43 06-00 (x4)

740 38 15-01 (x4)

531 11 92-14

734 11 52-01

531 11 92-83

531 12 10-76

531 11 93-08

738 23 04-30

531 12 14-53

738 22 04-15

501 37 21-01

740 43 12-00

531 11 90-83 (x2)

531 12 14-54

531 11 91-66

531 11 92-85

531 11 90-85

740 51 45-24

531 12 14-07

531 11 81-16 (x2)

725 53 68-01 (x2)

531 12 15-30

531 11 91-06 (x2)

531 11 93-08

531 11 90-94

531 12 14-50

531 12 14-49

734 11 52-01

531 11 82-36

531 12 14-71

531 12 13-86

531 12 15-26 (1" US/CAN)

531 11 93-10

740 42 22-00

732 25 16-01

531 11 90-90

531 12 14-52

738 21 06-00

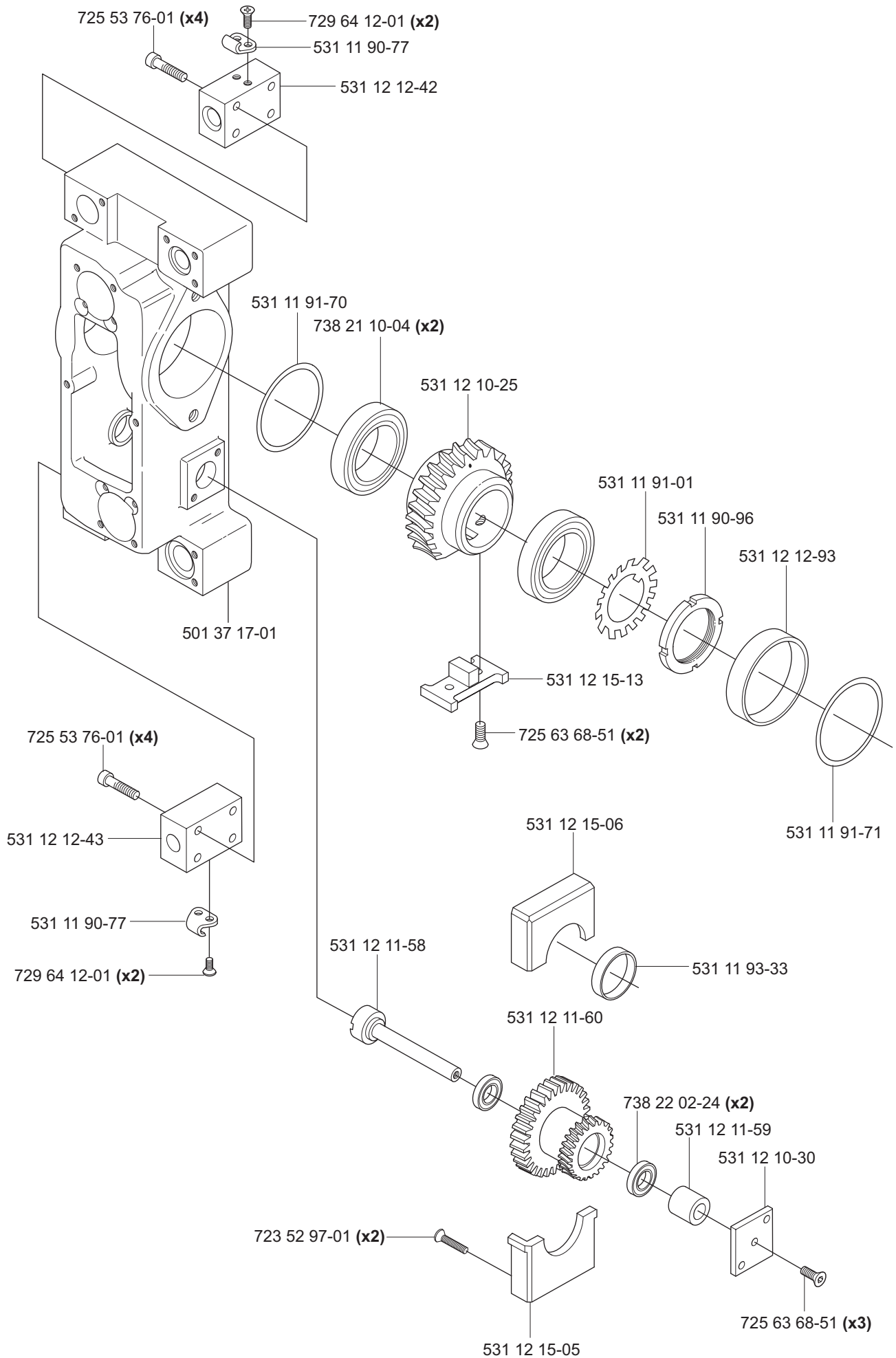
531 11 91-67

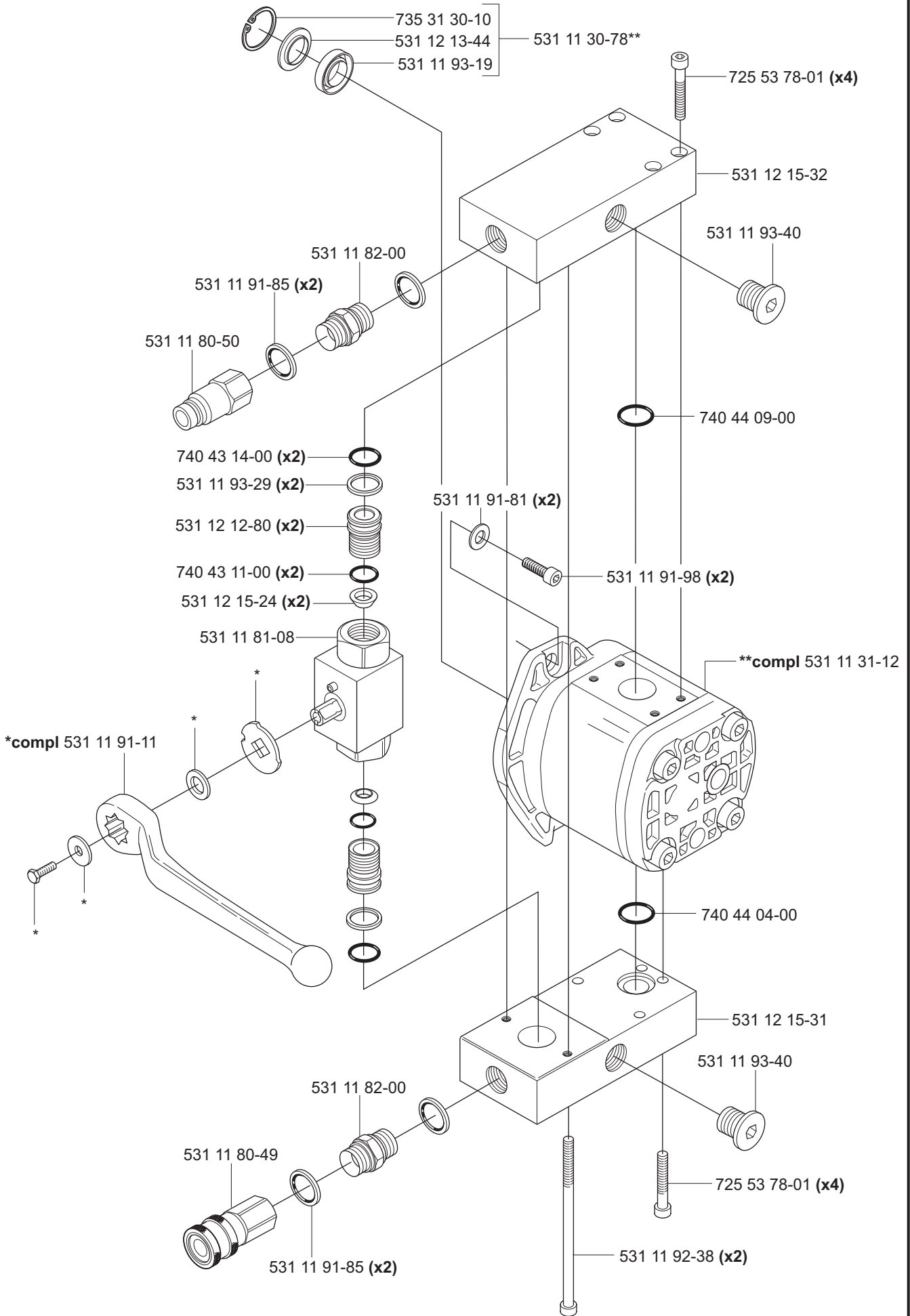
531 11 92-85

725 63 68-51 (x3)

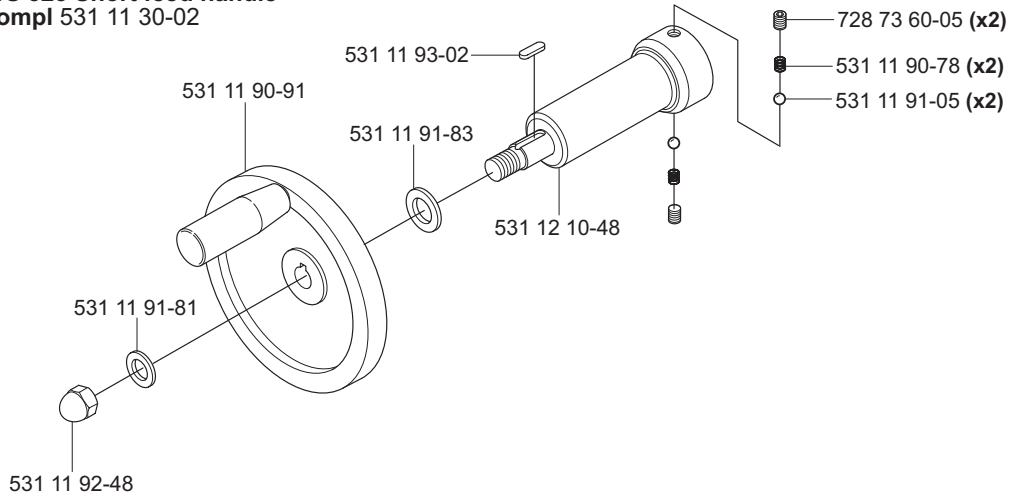
531 12 14-06

D WS 325

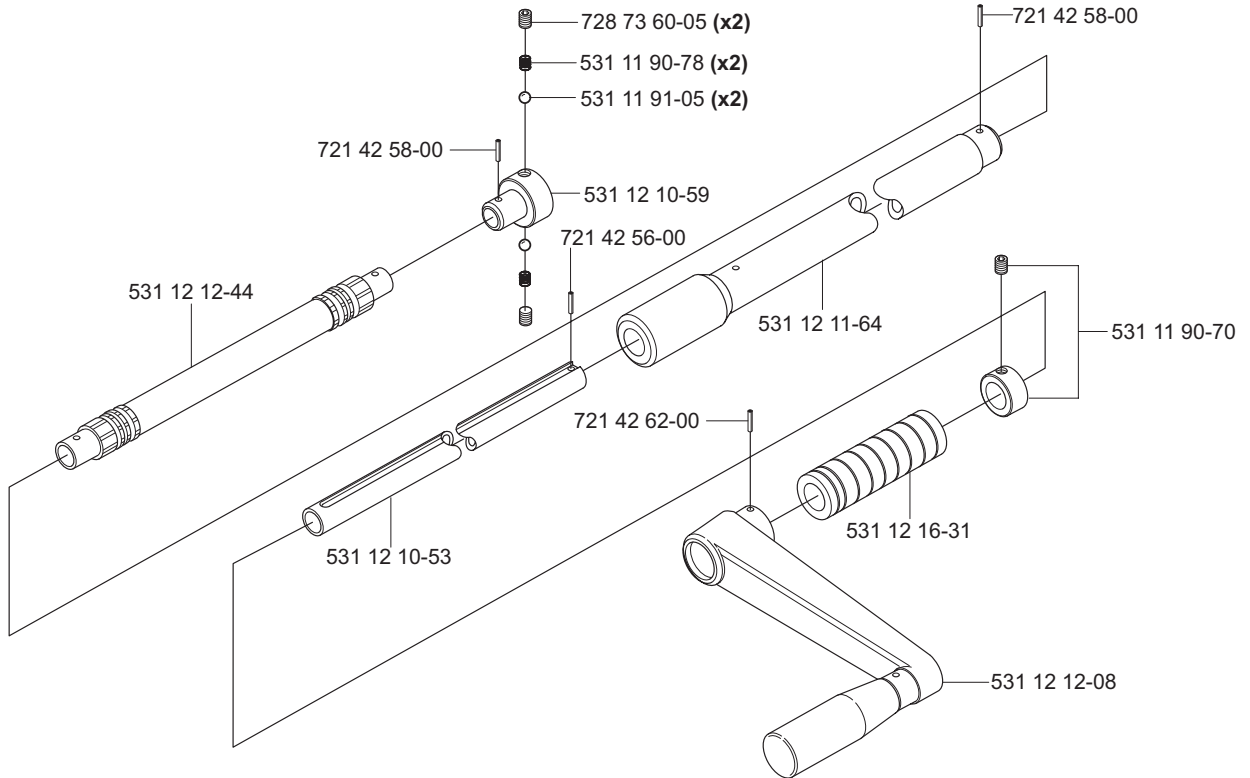




F **WS 325 Short feed handle**
compl 531 11 30-02



WS 325 Telescopic feed handle
compl 531 11 30-07



WS 325 Water hose 0,8 m with valve 531 11 30-37



J

WS 325
Flush blade guard 930 compl 531 11 31-25

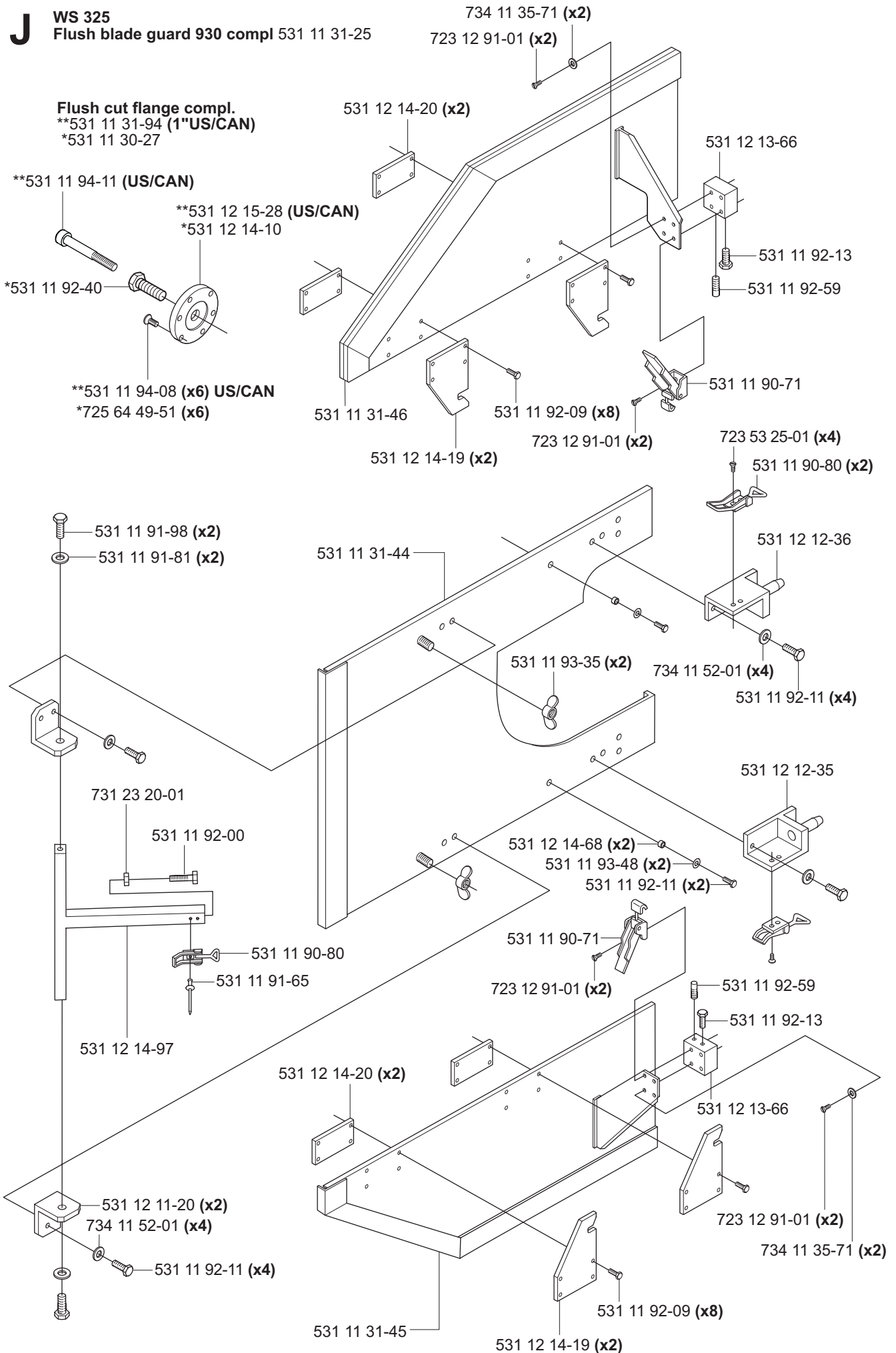
Flush cut flange compl.
****531 11 31-94 (1"US/CAN)**
***531 11 30-27**

****531 11 94-11 (US/CAN)**

****531 12 15-28 (US/CAN)**
***531 12 14-10**

***531 11 92-40**

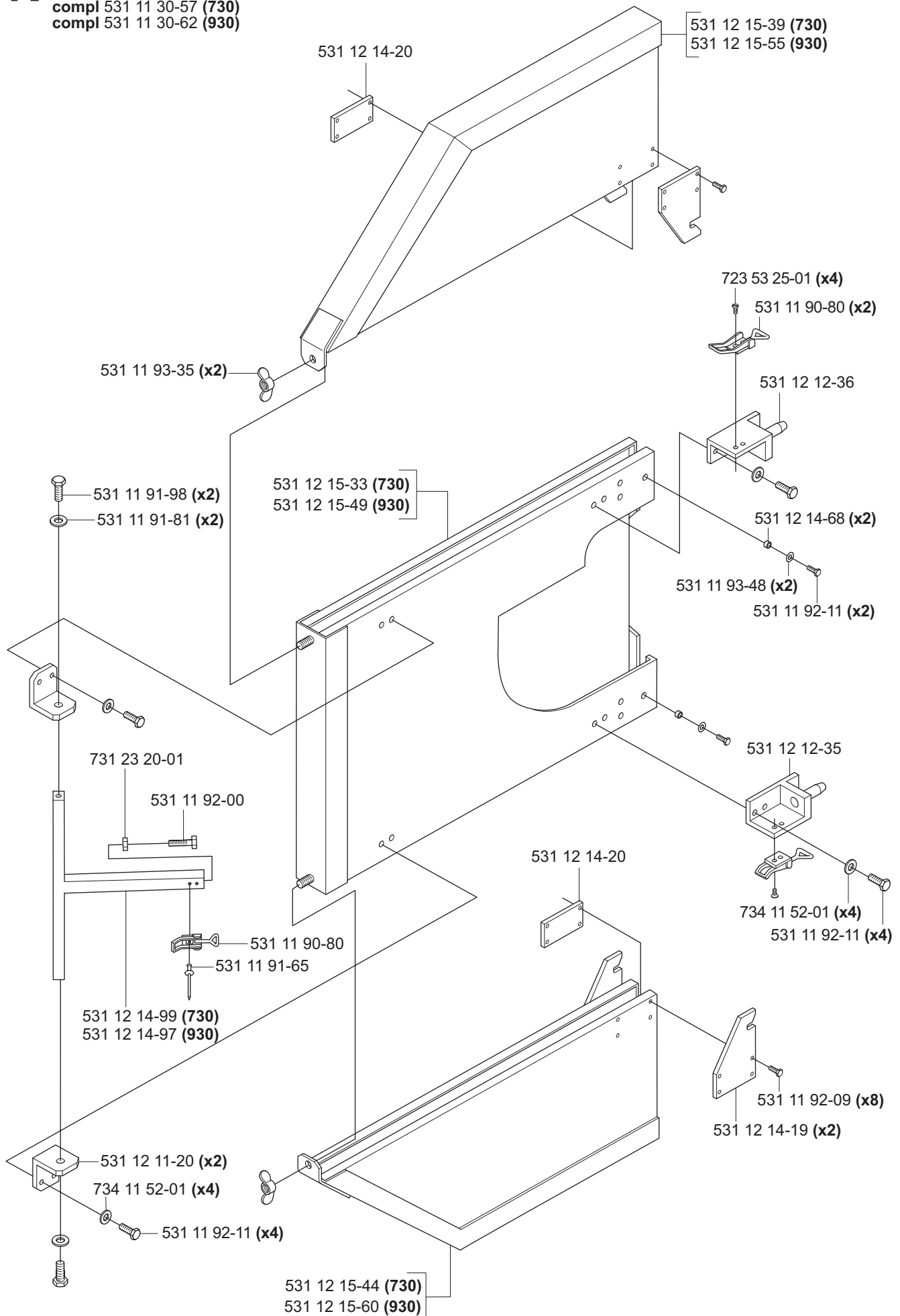
****531 11 94-08 (x6) US/CAN**
***725 64 49-51 (x6)**



K**WS 325****Blade guard 730/930**

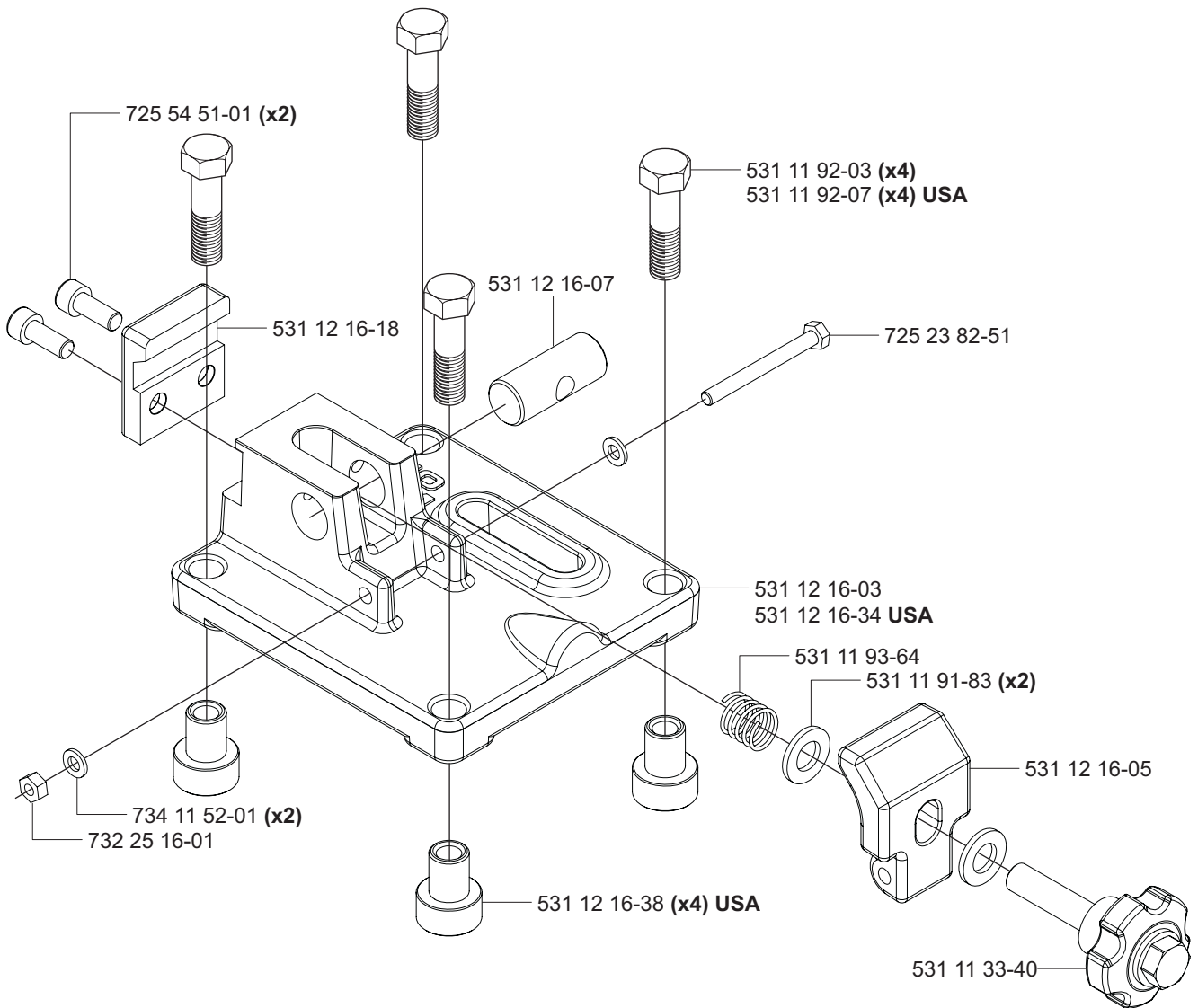
compl 531 11 30-57 (730)

compl 531 11 30-62 (930)

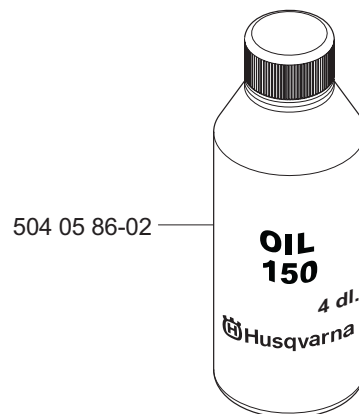
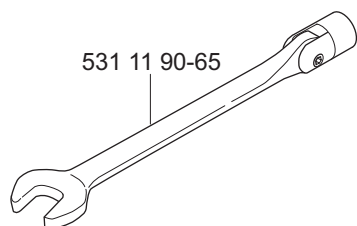


L**WS 325**

Mounting bracket track
 compl 531 11 31-38 (STD)
 compl 531 11 31-40 (USA)

**M****WS 325**

Tillbehör
Accessories
Zubehöre
Accessoires
Accesorios



Free Manuals Download Website

<http://myh66.com>

<http://usermanuals.us>

<http://www.somanuals.com>

<http://www.4manuals.cc>

<http://www.manual-lib.com>

<http://www.404manual.com>

<http://www.luxmanual.com>

<http://aubethermostatmanual.com>

Golf course search by state

<http://golfingnear.com>

Email search by domain

<http://emailbydomain.com>

Auto manuals search

<http://auto.somanuals.com>

TV manuals search

<http://tv.somanuals.com>