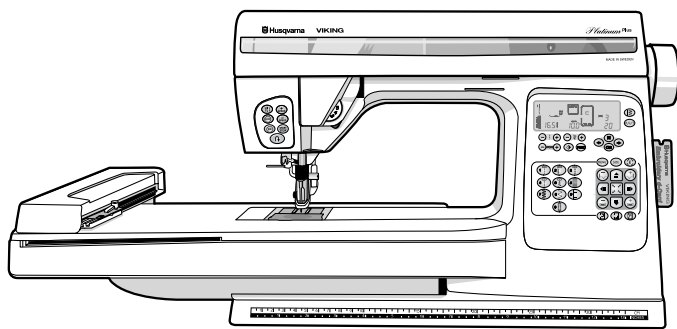
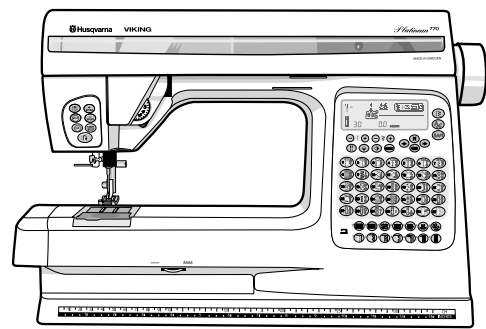


The Platinum Family

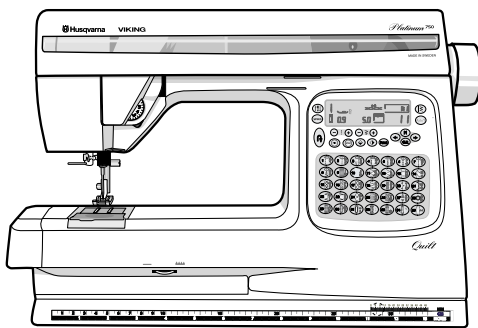
Platinum Plus



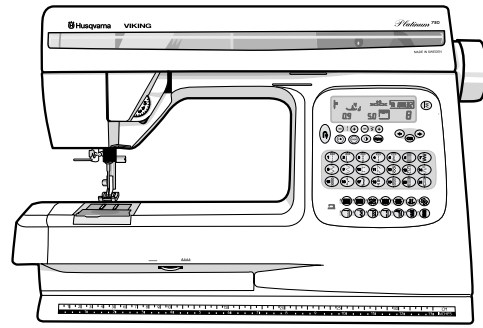
Platinum 770



Platinum 750 Quilt



Platinum 730



Features and Benefits

All Platinum models Feature:

EASY THREADING

Follow the top threading guide arrows for easy threading.

AUTOMATIC NEEDLE THREADER

Built-in needle threader eliminates tedious hand threading.

TWO BUILT-IN SPOOL PINS

Easy threading for twin needle and other specialty sewing and topstitching techniques.

BOBBIN WINDS FROM NEEDLE

No need to unthread or rethread to wind a bobbin.

AUTOMATIC BOBBIN THREAD PICK-UP

No need to bring bobbin thread up manually.

SNAP ON AND OFF PRESSER FEET

Change presser feet quickly and easily.

ADJUSTABLE PRESSER FOOT PRESSURE

Even feed on bulky knits to fine sheers.

DIRECT STITCH SELECTION

Select your stitches directly on your Touch Panel.

ADJUSTABLE STITCH LENGTH AND STITCH WIDTH

Adjust stitch width and length from 0 - 6 mm for specialty sewing.

25 NEEDLE POSITIONS

Set needle position perfectly for quilting, stitching in the ditch, topstitching, zippers, specialty techniques and accessory presser feet.

STOP FUNCTION

Touch STOP to finish stitch pattern at end and tie off automatically. Program STOP to end sewing at a specific stitch or program.

FIX FUNCTION

Touch FIX to stop and lock any stitch instantly with tiny forward and backward stitches.

MIRROR IMAGE

Flip stitches and/or stitch programs side to side and/or end to end for unlimited creative combinations and easy fabric positioning while you sew. For Platinum 730 and Platinum Plus flip stitches and/or stitch programs side to side.

SELECTIVE NEEDLE STOP UP/DOWN

Set needle to stop up or down. Tap the foot control or touch needle up/down button to move needle up or down at any time. For Platinum 730, tap the foot control to place the needle in down position.

INSTANT AND PERMANENT REVERSE

Touch reverse to sew any stitch in reverse for a lockstitch and tie off. Touch reverse twice for continuous reverse.

ERGONOMICALLY DESIGNED

Convenient up-front threading, bobbin winding and placement, free arm, all settings at your fingertips with simple function buttons. One piece aluminium casting is lightweight yet strong, long lasting and prevents vibration. The large foot control allows comfortable sitting position.

SLIDE-ON ACCESSORY BOX

Store your bobbins, accessory feet, needles and more, right at your fingertips. The new extended working area facilitates working with larger projects.

BUILT-IN RULER

Ruler on front base of Platinum lets you measure at your fingertips. Convert from inches to centimeters in an instant.

ATTRACTIVE CARRYING CASE

Easy to carry and protects your Platinum and accessories for storage and/or transport.

MADE IN SWEDEN

Husqvarna Viking has engineered superior quality and cutting edge technology sewing machines for over 130 years.

PERMANENTLY LUBRICATED

No oiling means no oil on fabric.

JAMPROOF ROTARY HOOK

No tangled threads or threads sewn down into the machine.

ELECTRONIC SPEED CONTROL AND PIERCING POWER

Stitch by stitch control with full needle penetration at any speed.

EDUCATION PACKAGE

All Husqvarna Viking Platinum sewing machines come with a User's Guide plus a step by step Handbook with exercises plus a copy of the ZigZag magazine. Husqvarna Viking Accessory User's Guide teaches you how to use over 40 accessories to make specialty technique sewing faster and easier. Your Husqvarna Viking Platinum 770, Platinum 750 Quilt, and Platinum 730 come with a companion video and your Platinum Plus comes with companion CD for visual guidance and instruction on how to use your new sewing machine. For the Platinum Plus there's even a software demo CD plus the Embroidery Collection booklet, all included to guide and inspire your joy of sewing.

Platinum Plus

Embroidery Features

SLIDE-ON EMBROIDERY UNIT

Instant embroidery ability with large embroidery support surface. Easy to place and easy to remove.

AUTOMATIC FEED TEETH

Feed teeth lower automatically for embroidery and come up automatically for sewing.

HOOP

Husqvarna Viking Platinum Plus includes the Large Hoop to sew embroideries up to 9.6" x 6" (240 x 150 mm).

EMBROIDERY d-CARDS

Husqvarna Viking Platinum Plus includes the Embroidery d-Card 1005 featuring 21 beautiful embroideries for all types of projects. Also included is the Embroidery d-Card 1002, Clarendon, for monogramming and numbering.

PLATINUM PLUS BOOKLET

The Platinum Plus Sampler pictures designs actual size and gives colors of thread by number.

PREVIEW DESIGN SIZE AND PLACEMENT

Preview the size and placement by touching the corner test function.

MOVE DESIGN IN HOOP

Touch positioning buttons to move design within hoop for precision placement.

ENLARGE AND REDUCE SIZE

Sew different sizes for each design. Change embroidery size quickly by touching the stitch length and width buttons.

STEP THROUGH DESIGNS

Step through designs by color or by stitch to move forward or backward to any part of a design or to sew only parts of a design.

CHANGE THE BOBBIN THREAD WITHOUT REMOVING THE HOOP

Touch bobbin access symbol to conveniently move the hoop to the proper position to easily remove the bobbin.

PARK POSITION

Touch the park position symbol to move the embroidery arm to rest position.

FIX BASTE

Touch FIX to baste fabric in the hoop and outline the embroidery area.

COLOR STOPS

Platinum Plus stops sewing and beeps to alert you when it's time for color change.

EASY ONE COLOR EMBROIDERY

Simply touch the STOP button to cancel color stops to sew one color and tone on tone embroideries.

EMBROIDERY ROTATION

Rotate designs easily in 90 degree steps for additional design opportunities and easy hooping.

EMBROIDERY MIRROR IMAGE

Flip designs for twice as many design possibilities and easy hooping.

PLACEMENT TEMPLATE

Placement template is included. Trace the design onto the placement template and mark placement lines.

EMBROIDERY SEWING SPEED

Speed is computer controlled for best stitch quality or control manually for specialty threads.

HUSQVARNA VIKING EMBROIDERY COLLECTION

Highest quality embroidery designs from top name sewing designers.

OPTIONAL EMBROIDERY ACCESSORIES

HUSQVARNA VIKING MEGA HOOP

Embroider bigger designs than ever - up to 14.2" x 6" (360 x 150 mm).

HUSQVARNA VIKING MIDSIZE HOOP

Embroider designs up to 6 3/8" x 4" (170 x 100 mm).

HUSQVARNA VIKING STANDARD HOOP

Embroider designs up to 4" x 4" (100 x 100 mm).

HUSQVARNA VIKING EMBROIDERY SPRING HOOP

Use the Spring Hoop, design area 4" x 4" (100 x 100 mm), for quick and easy hooping.

HUSQVARNA VIKING MINI EMBROIDERY SPRING HOOP

Use the Mini Spring hoop, design area 1.6" x 1.6" (40 x 40 mm), for perfect result on smaller pieces of fabrics like collars and pockets.

HUSQVARNA VIKING EMBROIDERY SOFTWARE

Choose from the most advanced Embroidery Software for the home sewer. Purchase step by step or all at once. Husqvarna Viking provides programs that allow sewers the option to move at their own pace as their creativity flourishes.

d-CARD READER/WRITER FOR PLATINUM PLUS

Includes Personal d-Card for transferring designs from your computer via USB-port to be embroidered on your Platinum Plus.

TOTAL AMOUNT OF STITCHES

Platinum Plus – 133 stitches

Platinum 770 – 337 stitches plus Cyrillic 64 and Hiragana 64

Platinum 750 Quilt – 168 stitches

Platinum 730 – 42 stitches

Choose between a wide selection of utility stitches, decorative stitches, lettering, numbering, and special characters.

UTILITY STITCHES

Platinum Plus – 19 stitches

Platinum 770 – 35 stitches

Platinum 750 Quilt – 35 stitches

Platinum 730 – 21 stitches

Choose between a wide selection of utility stitches including different buttonhole styles used for garment and project sewing, mending and darning.

PBB - PERFECTLY BALANCED BUTTONHOLES



Perfectly balanced buttonholes means both columns of your buttonhole are sewn in the same direction. PBB ensures professional looking buttonholes on all Platinum models and are easy to sew.

DECORATIVE STITCHES

Platinum Plus – 16 stitches

Platinum 770 – 105 stitches

Platinum 750 Quilt – 35 stitches

Platinum 730 – 21 stitches

Personalize your sewing projects with the different decorative stitches ranging from fashion, quilting, heirloom stitches, and more.

ALPHABETS

Platinum Plus – Outline block alphabet

Platinum 770 – Outline block alphabet/Script alphabet plus Cyrillic/Hiragana alphabet

Platinum 750 Quilt – Outline block alphabet

The alphabets include upper and lower case letters, numbers 0 - 9 and special characters. Great for labelling kid's clothing, quilts and keepsakes!

PERMANENT MEMORIES

Platinum Plus – 4 memories

Platinum 770 – 4 memories

Platinum 750 Quilt – 2 memories

Platinum 730 – 1 memory

Use the Platinum memories to save stitches and/or lettering. Save up to 30 stitches per memory. For Platinum 770 save up to 55 stitches.



 **Husqvarna**

VIKING

Free Manuals Download Website

<http://myh66.com>

<http://usermanuals.us>

<http://www.somanuals.com>

<http://www.4manuals.cc>

<http://www.manual-lib.com>

<http://www.404manual.com>

<http://www.luxmanual.com>

<http://aubethermostatmanual.com>

Golf course search by state

<http://golfingnear.com>

Email search by domain

<http://emailbydomain.com>

Auto manuals search

<http://auto.somanuals.com>

TV manuals search

<http://tv.somanuals.com>